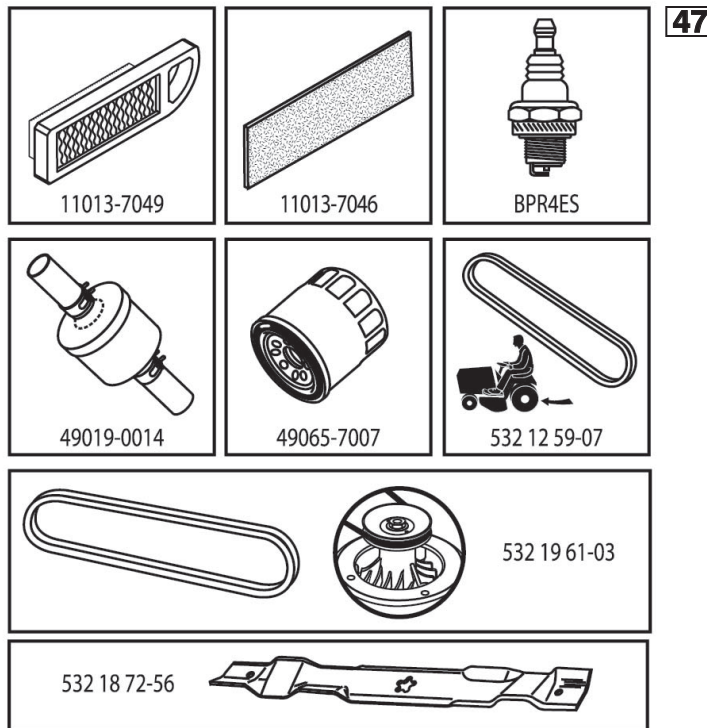


ILLUSTRATED PARTS LIST

MFG. ID NO. 96041031000

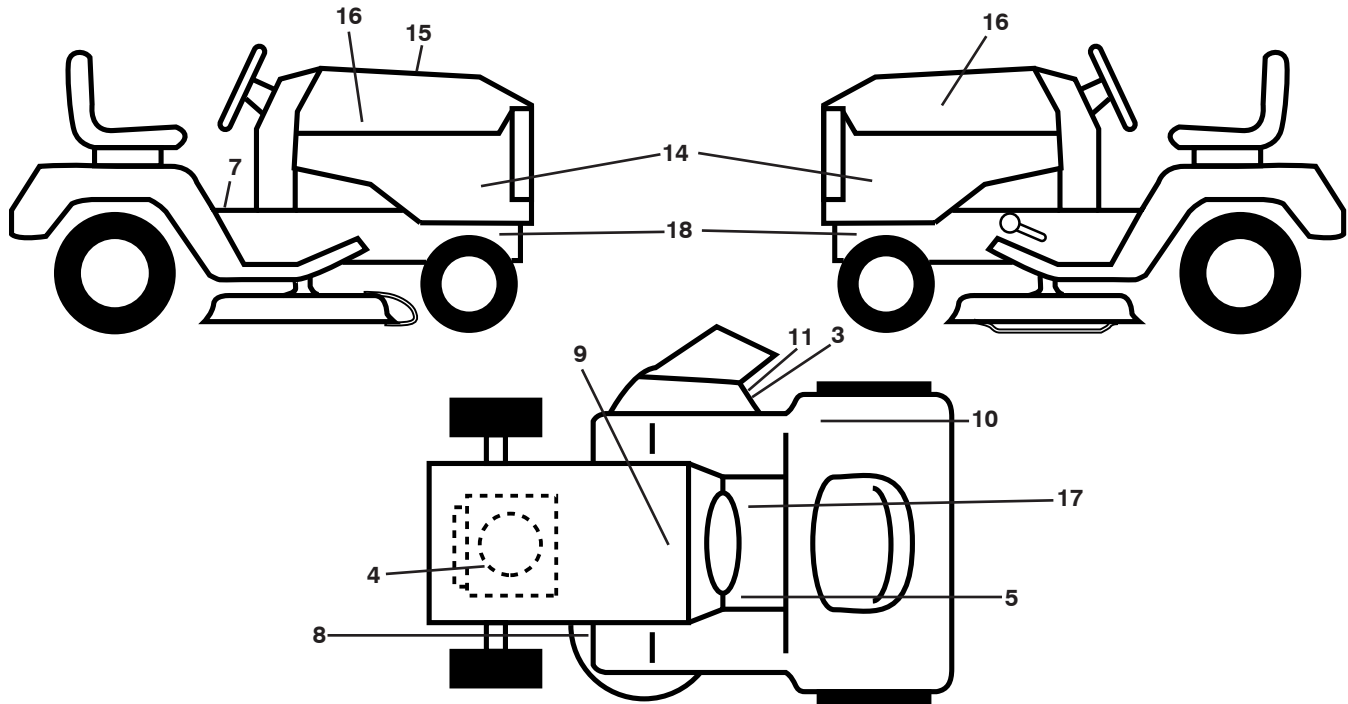
CUSTOMER CATALOG NO. GTH264T

PRODUCT NO. 960 41 03-10



581563701

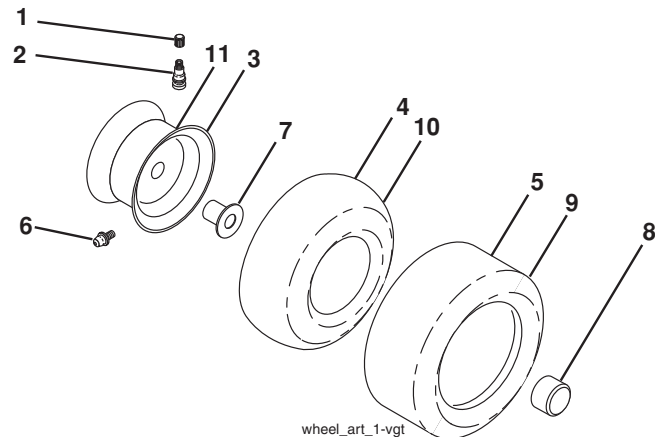
**TRACTOR - - MODEL NO. GTH264T (96041031000), PRODUCT NO. 960 41 03-10
DECALS 27**



| KEY NO. | PART NO. | DESCRIPTION |
|---------|--------------|-------------------------------|
| 3 | 581 57 92-01 | Decal, Warning |
| 4 | 581 57 97-01 | Decal, Engine Warning Symbols |
| 5 | 581 72 40-01 | Decal, Brake Pedal |
| 7 | 581 57 81-01 | Decal, Warning Symbols |
| 8 | 581 58 00-02 | Decal, Mower Sch. |
| 9 | 532 14 50-05 | Decal, Battery Dan./Poi. |
| 10 | 581 57 82-01 | Decal, Fender DB/CE |
| 11 | 581 57 91-01 | Decal, Hand/Foot Sym. |
| 14 | 532 44 65-46 | Decal, Panel Side |
| 15 | 581 56 37-01 | Decal, Replacement Parts |
| 16 | 581 62 73-01 | Decal, Hood Logo |

| KEY NO. | PART NO. | DESCRIPTION |
|---------|--------------|-----------------------------|
| 17 | 581 57 80-01 | Decal, Park Brake |
| 18 | 581 57 96-01 | Decal, Chassis Hot Muffler |
| -- | 581 72 46-01 | Decal, Drawbar Load Limit |
| -- | 581 72 48-01 | Decal, Bypass |
| -- | 532 43 98-82 | Pad, Footrest, LH |
| -- | 532 43 98-81 | Pad, Footrest, RH |
| -- | 115 53 33-20 | Manual, Operator's (Euro) |
| -- | 115 53 41-10 | Manual, Operator's (Scan) |
| -- | 115 53 42-50 | Manual, Operator's (E-Bloc) |
| -- | 115 53 43-40 | Manual, Operator's (Baltic) |

WHEELS AND TIRES

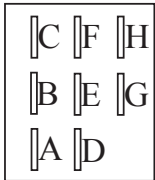
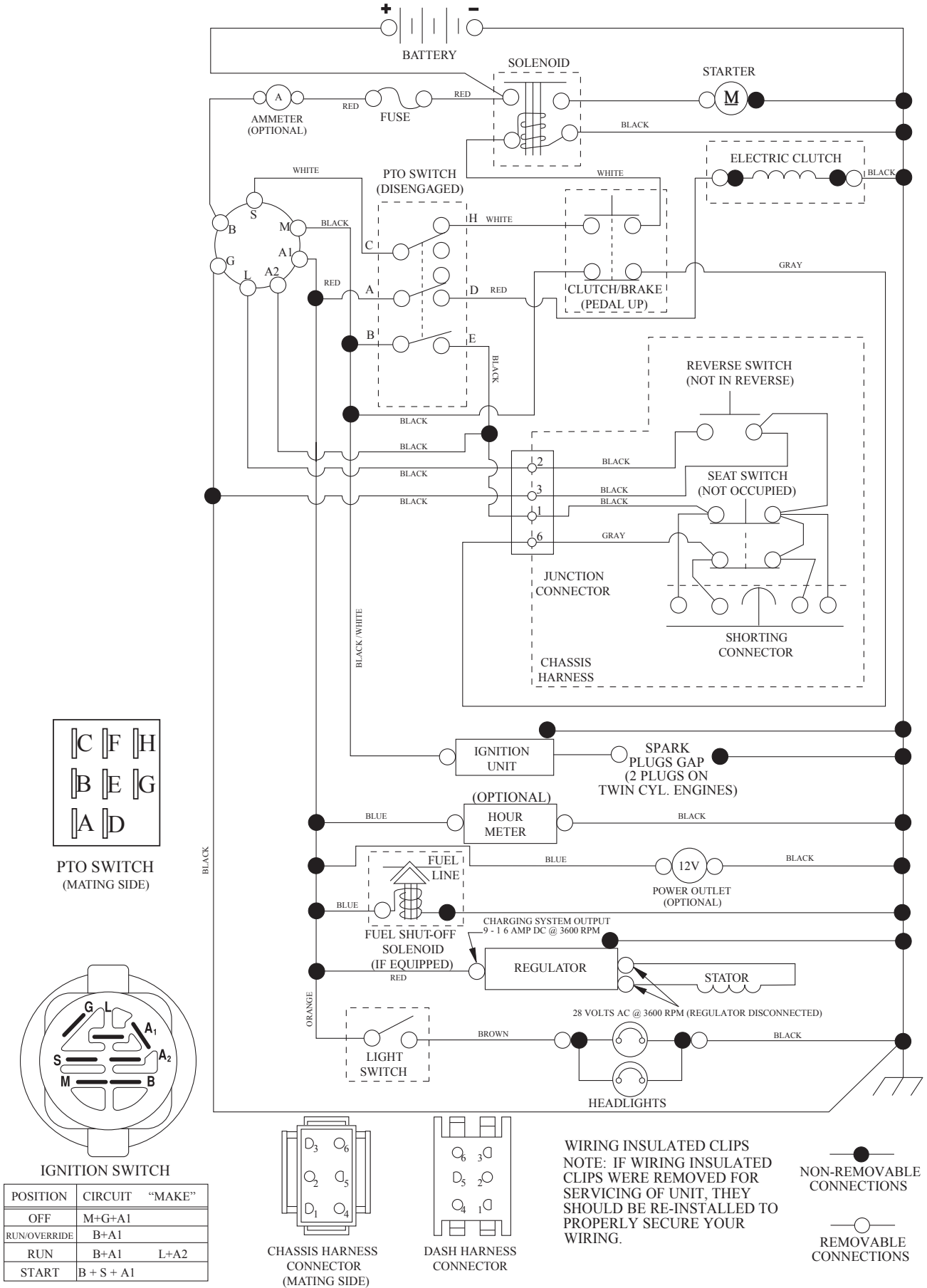


| KEY NO. | PART NO. | DESCRIPTION |
|---------|--------------|------------------------------------|
| 1 | 532 05 91-92 | Cap, Valve, Tire |
| 2 | 532 06 51-39 | Stem, Valve |
| 3 | 532 18 18-39 | Rim Assembly, Front |
| 4 | 532 00 81-34 | Tube, Front (Service Item Only) |
| 5 | 532 10 62-30 | Tire, Front |
| 6 | 532 12 49-57 | Fitting, Grease (Front Wheel Only) |
| 7 | 532 12 49-59 | Bearing, Flange (Front Wheel Only) |
| 8 | 532 17 50-39 | Cap, Axle |
| 9 | 532 10 55-88 | Tire, Rear |
| 10 | 532 00 71-54 | Tube, Rear (Service Item Only) |
| 11 | 532 14 45-10 | Rim Assembly, Rear |
| -- | 532 14 43-34 | Sealant, Tire (10 oz. Tube) |

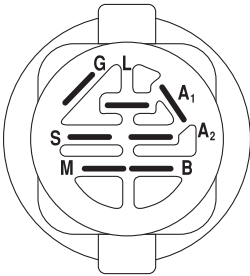
NOTE: All component dimensions given in U.S. inches
1 inch = 25.4 mm

TRACTOR - - MODEL NO. GTH264T (96041031000), PRODUCT NO. 960 41 03-10 SCHEMATIC 38

SCH12

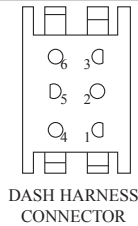
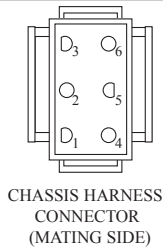


PTO SWITCH (MATING SIDE)

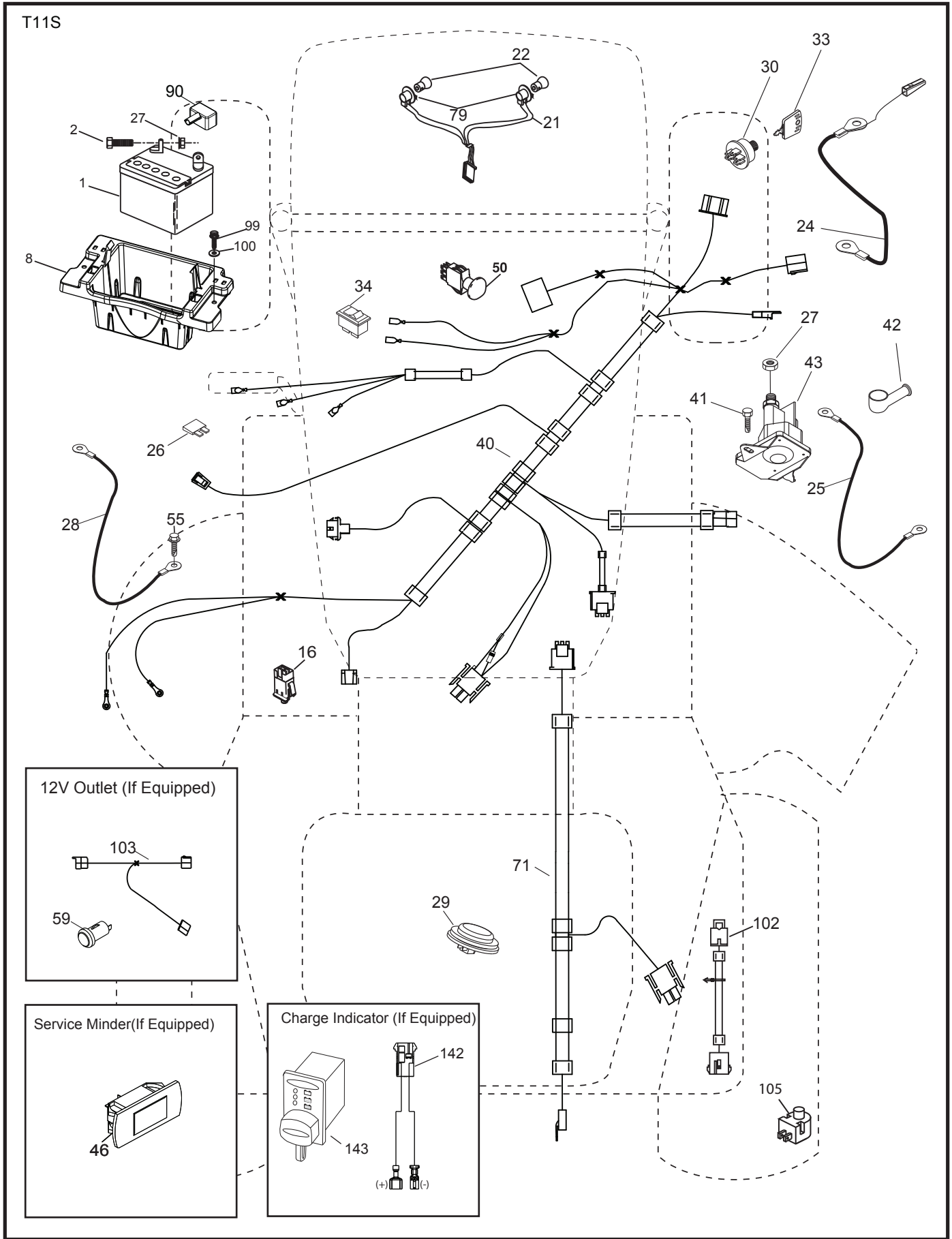


IGNITION SWITCH

| POSITION | CIRCUIT | "MAKE" |
|--------------|------------|--------|
| OFF | M+G+A1 | |
| RUN/OVERRIDE | B+A1 | |
| RUN | B+A1 | L+A2 |
| START | B + S + A1 | |



TRACTOR - - MODEL NO. GTH264T (96041031000), PRODUCT NO. 960 41 03-10
 ELECTRICAL **32**

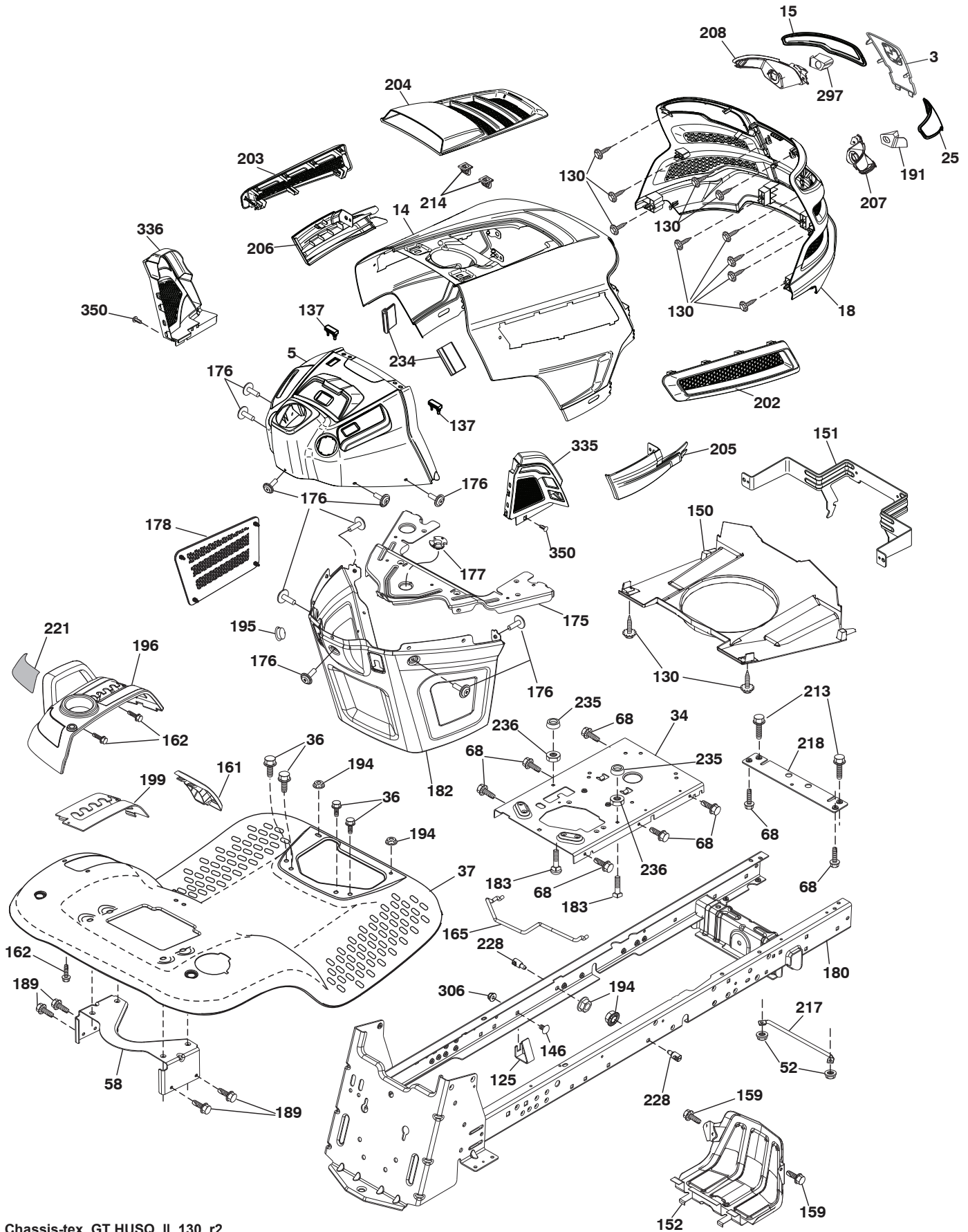


**TRACTOR - - MODEL NO. GTH264T (96041031000), PRODUCT NO. 960 41 03-10
ELECTRICAL 32**

| KEY NO. | PART NO. | DESCRIPTION |
|----------------|-----------------|-------------------------------------|
| 1 | 532 16 34-65 | Battery |
| 2 | 874 76 04-12 | Bolt Hex Hd. 1/4-20 unc x 3/4 |
| 8 | 532 18 64-91 | Battery Box |
| 16 | 532 17 61-38 | Switch Interlock |
| 21 | 532 40 02-52 | Harness Socket Light |
| 22 | 532 00 41-52 | Bulb, Light # 1156 |
| 24 | 532 40 02-53 | Cable Battery |
| 25 | 532 41 28-95 | Cable Start Red |
| 26 | 532 17 51-58 | Fuse |
| 27 | 873 51 04 00 | Nut Keps Hex 1/4-20 unc |
| 28 | 532 14 54-91 | Cable Ground 21" Blk. 6 Ga. |
| 29 | 532 40 15-45 | Switch Seat |
| 30 | 532 19 33-50 | Switch Ign. |
| 33 | 532 41 19-35 | Key/Chain |
| 34 | 532 11 07-12 | Switch Light/Reset |
| 40 | 581 02 27-01 | Harness Dash/Ign. |
| 41 | 817 72 04-08 | Screw 1/4-20 x 1/2 |
| 42 | 532 13 15-63 | Cover Terminal |
| 43 | 532 19 25-07 | Solenoid |
| 46 | 532 40 17-63 | Gauge Hourmeter |
| 50 | 532 17 46-51 | Switch PTO |
| 55 | 817 06 05-12 | Screw 5/16-18 x 3/4 |
| 71 | 532 19 42-76 | Harness Chassis/Ign. |
| 79 | 532 17 52-42 | Socket Asm. Bulb |
| 90 | 532 43 53-95 | Cover Terminal Battery |
| 99 | 817 67 04-12 | Screw Hex Wsh. Thdrol. 1/4-20 x 3/4 |
| 100 | 819 09 14-16 | Washer 9/32 x 7/8 x 16 Ga. |
| 102 | 532 40 44-54 | Harness Pigtail Tex Ros Tuff Torq. |
| 105 | 532 40 75-68 | Switch Reverse |
| 142 | 532 44 80-57 | Harness Charge Port |

NOTE: All component dimensions given in U.S. inches
1 inch = 25.4 mm

TRACTOR - - MODEL NO. GTH264T (96041031000), PRODUCT NO. 960 41 03-10
CHASSIS AND ENCLOSURES **39**



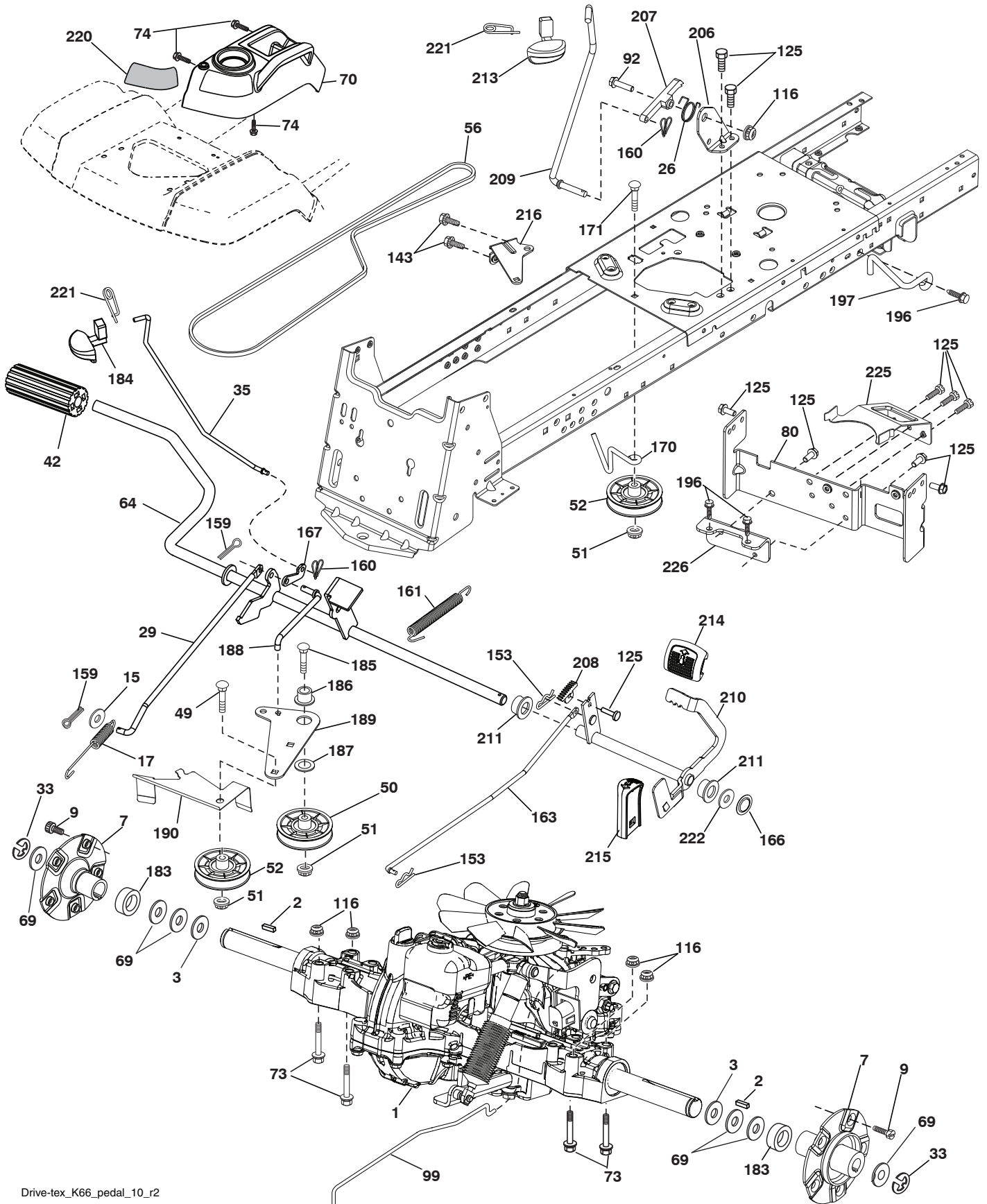
Chassis-tex_GT HUSQ_II_130_r2

**TRACTOR - - MODEL NO. GTH264T (96041031000), PRODUCT NO. 960 41 03-10
CHASSIS AND ENCLOSURES 39**

| KEY NO. | PART NO. | DESCRIPTION | KEY NO. | PART NO. | DESCRIPTION |
|------------|--------------|--------------------------------|------------|--------------|--------------------------------|
| 3 | 532 43 97-52 | Applique Sub Asm. | 194 | 873 90 05-00 | Nut Lock Hex Flange 5/16-18 |
| 5 | 532 43 74-84 | Dash | 195 | 532 40 41-37 | Plug 12 V Adapter |
| 14 | 532 44 11-77 | Hood | 196 | 532 43 97-16 | Console Asm. Deck Lift |
| 15 | 532 43 97-33 | Lens LH | 199 | 532 19 82-59 | Plate Deck Lift |
| 18 | 532 44 06-53 | Grille | 202 | 532 43 97-28 | Vent Side Hood RH |
| 25 | 532 44 33-85 | Lens RH | 203 | 532 43 97-27 | Vent Side Hood LH |
| 34 | 580 91 08-01 | Plate Engine | 204 | 532 43 57-14 | Vent Asm. Hood Top |
| 36 | 817 06 05-12 | Screw 5/16-18 x 3/4 | 205 | 532 43 97-30 | Skirt Hood Side RH |
| 37 | 532 44 12-08 | Fender | 206 | 532 43 97-29 | Skirt Hood Side LH |
| 52 | 873 68 05-00 | Nut Crownlock 5/16-18 | 207 | 532 43 97-34 | Bezel RH |
| 58 | 532 19 43-14 | Bracket Fender | 208 | 532 43 97-35 | Bezel LH |
| 68 | 817 49 05-08 | Screw 5/16-18 x 1/2 | 213 | 874 76 05-12 | Bolt Hex Hd. 5/16-18 unc x 3/4 |
| 125 | 581 68 48-01 | Clip Fuel Line | 214 | 532 19 91-45 | Clip Retainer |
| 130 | 532 41 63-58 | Screw #10 x 0.750 | 217 | 532 40 91-67 | Rod Pivot |
| 137 | 532 40 75 90 | Bumper Dash | 218 | 532 19 63-95 | Hood Stop |
| 146 | 581 85 79-01 | Bolt | 221 | 532 19 89-09 | Reflector LH |
| 150 | 532 43 97-74 | Duct Heat Hood | 228 | 532 19 51-61 | Stud Fastener |
| 151 | 532 43 66-70 | Pivot Bracket | 234 | 532 40 47 42 | Bumper Hood |
| 152 | 532 43 98-70 | Shield Browning/Debris | 235 | 532 40 61 29 | Spacer Fender |
| 159 | 817 00 06-12 | Screw Hexwsh Thdr 3/8-16 x 3/4 | 236 | 873 93 05-00 | Nut 5/16-18 unc |
| 161 | 532 43 99-29 | Console Fuel Window | 297 | 532 43 74 56 | Insert Reflective LH |
| 162 | 532 14 24-32 | Screw Hex Wsh. Hi-Lo 1/4 x 1/2 | 306 | 873 90 06-00 | Nut Lock |
| 165 | 532 19 68-26 | Bracket Support Tank | 335 | 532 44 82-04 | Lower Dash Cover RH |
| 175 | 532 19 63-04 | Crossmember | 336 | 532 44 53-09 | Lower Dash Cover LH |
| 176 | 532 40 07-76 | Screw #10-24 x 5/8 | 350 | 532 44 51-43 | Clip X-mas Tree |
| 177 | 532 19 52-27 | Bushing Steering | - - | 532 43 18-82 | Kit Bumper |
| 178 | 532 19 97-82 | Cargo Asm. Net | | | |
| 180 | 532 19 54-77 | Chassis | | | |
| 182 | 532 40 68-59 | Dash Lower | | | |
| 183 | 874 52 05-20 | Bolt 5/16-18 unc x 1-1/4 | | | |
| 189 | 817 00 05-12 | Screw 5/16-18 x 3/4 | | | |
| 191 | 532 43 74-55 | Insert Reflective RH | | | |

NOTE: All component dimensions given in U.S. inches
1 inch = 25.4 mm

TRACTOR - - MODEL NO. GTH264T (96041031000), PRODUCT NO. 960 41 03-10
DRIVE **40**

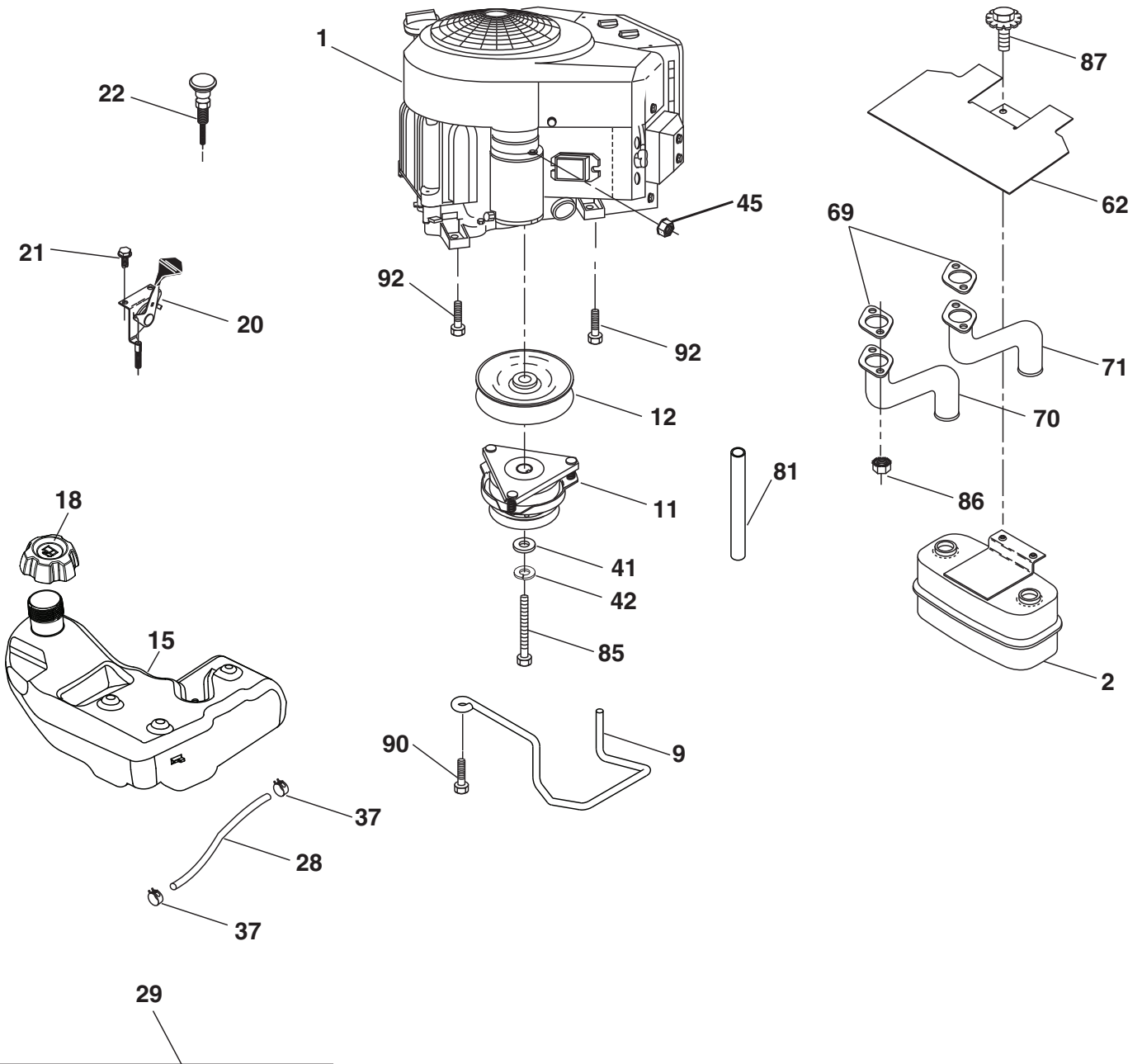


Drive-tex_K66_pedal_10_r2

**TRACTOR - - MODEL NO. GTH264T (96041031000), PRODUCT NO. 960 41 03-10
DRIVE 40**

| KEY NO. | PART NO. | DESCRIPTION | KEY NO. | PART NO. | DESCRIPTION |
|------------|--------------|---|------------|--------------|-------------------------------|
| 1 | ----- | Transaxle, TuffTorq K66Y(426118) (Order parts from transaxle manufacturer.) | 163 | 532 40 72-46 | Rod Pedal Control |
| 2 | 532 00 70-70 | Key | 166 | 532 42 91-64 | Nut Push .625 |
| 3 | 532 00 75-63 | Hardened Washer | 167 | 532 40 52-57 | Latch Brake Parking |
| 7 | 532 19 98-37 | Hub Asm. Wheel | 170 | 532 19 43-22 | Keeper Belt Centerspan |
| 9 | 532 14 00-80 | Bolt Hub Wheel | 171 | 872 11 06-16 | Bolt |
| 15 | 819 13 13-16 | Washer 13/32 x 13/16 x 16 Ga. | 183 | 532 19 73-57 | Spacer Axle |
| 17 | 532 40 10-72 | Spring, Brake | 184 | 532 44 14-55 | Handle Parking Brake |
| 26 | 532 19 96-79 | Spring Return Cruise | 185 | 872 11 06-22 | Bolt |
| 29 | 532 40 72-45 | Rod, Brake | 186 | 532 19 43-21 | Spacer Retainer |
| 33 | 812 00 00-53 | Ring E | 187 | 819 13 32-10 | Washer |
| 35 | 583 86 45-01 | Rod, Brake, Park | 188 | 532 19 43-23 | Link Clutch Ground Drive |
| 42 | 532 12 48-72 | Cover, Foot Pedal | 189 | 532 19 43-17 | Bellcrank Ground Drive |
| 49 | 872 11 06-14 | Bolt | 190 | 532 19 43-18 | Keeper Bellcrank Ground Drive |
| 50 | 532 19 43-27 | Pulley Idler Flat | 196 | 817 00 06-16 | Screw 3/8-16 x 1 |
| 51 | 873 90 06-00 | Lock Nut 3/8-16 | 197 | 585 65 86-01 | Bracket Clutch Anti-Rotation |
| 52 | 532 19 43-26 | Idler V-Groove | 206 | 532 19 78-67 | Bracket Mount Latch Cruise |
| 56 | 532 12 59-07 | V-Belt, Drive | 207 | 532 19 78-68 | Latch Control Cruise |
| 64 | 532 19 78-65 | Shaft Asm. Pedal Brake Control | 208 | 532 19 78-69 | Gear Sector Control Cruise |
| 69 | 532 12 38-00 | Washer 1 1/32 x 1 5/8 x 16 Ga. | 209 | 532 19 95-92 | Rod Control Cruise |
| 70 | 532 43 96-61 | Console Asm. | 210 | 532 19 78-60 | Rocker Asm Cruise |
| 73 | 874 49 05-44 | Bolt Hex Flghd 5/16-18 Gr. 5 | 211 | 532 12 01-83 | Bearing Nylon |
| 74 | 532 14 24-32 | Screw Hx Wsh Hi-Lo 1/4 x 1/2 unc | 213 | 532 40 31-19 | Handle Parking Brake |
| 80 | 532 40 71-82 | Strap Torque | 214 | 532 42 12-63 | Pedal Forward Pad |
| 92 | 874 76 05-20 | Bolt Fin Hex 5/16-18 unc x 1.25 | 215 | 532 40 17-23 | Pedal Reverse Pad |
| 99 | 532 41 57-44 | Rod Bypass | 216 | 532 19 61-31 | Bracket Pulley Idler |
| 116 | 873 90 05-00 | Nut Lock Hex Flange 5/16-18 | 220 | 532 19 89-08 | Reflector RH |
| 125 | 817 00 05-12 | Screw 5/16-18 x 3/4 | 221 | 532 40 31-87 | Retainer Spring Clip Handle |
| 143 | 817 49 05-08 | Screw 5/16-18 x 1/2 | 222 | 879 21 20-10 | Washer 21/32 x 1-1/4 10 Ga. |
| 153 | 532 12 47-88 | Retainer Spring | 225 | 532 40 73-11 | Keeper Belt Trans. |
| 159 | 876 02 04-12 | Pin Cotter 1/8 x 3/4 | 226 | 532 40 71-09 | Bracket Mount Torque |
| 160 | 532 16 94-84 | Retainer Clip | | | |
| 161 | 532 10 57-09 | Spring, Return, Clutch | | | |

NOTE: All component dimensions given in U.S. inches
1 inch = 25.4 mm



SPARK ARRESTER KIT

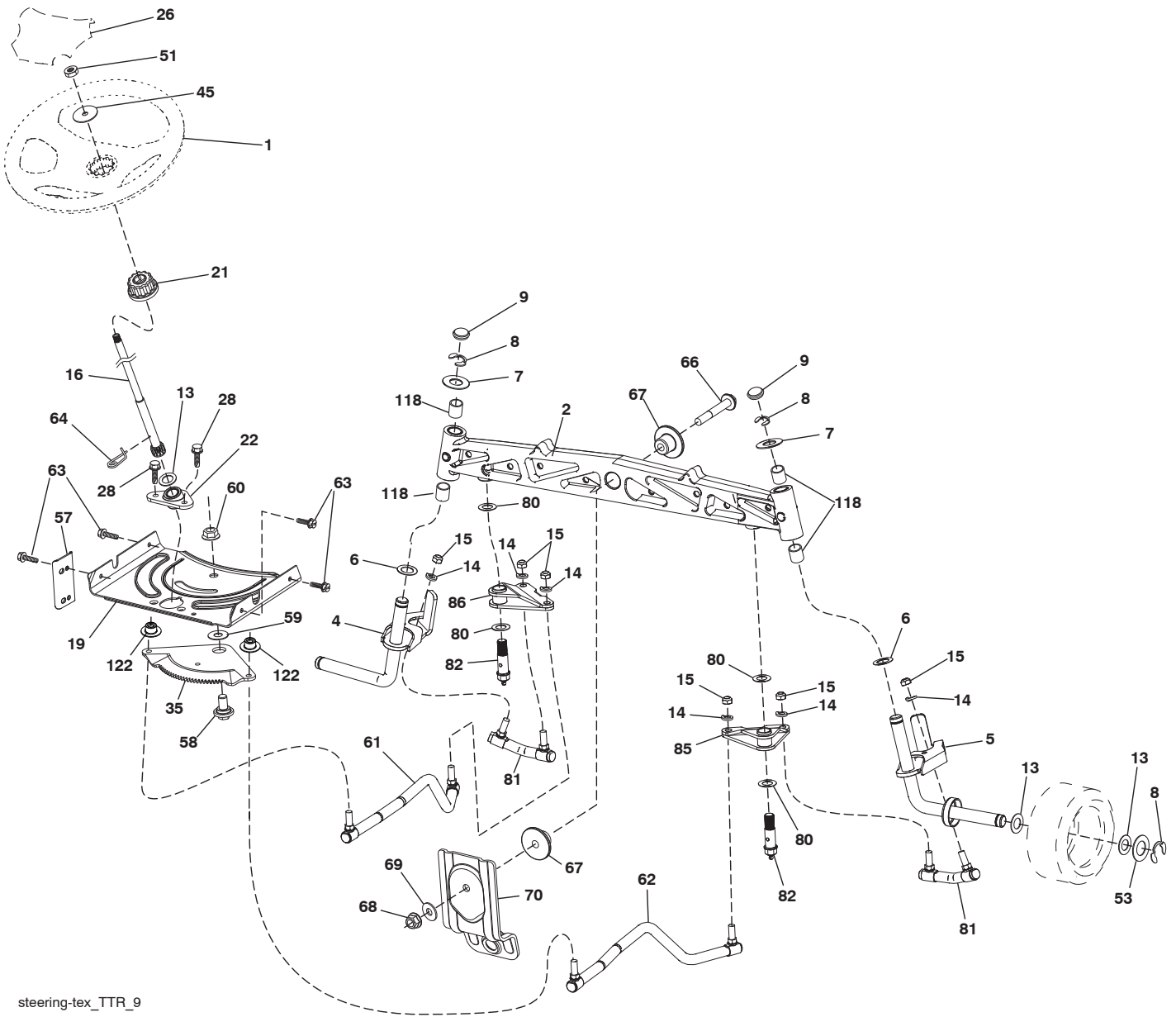
engine-tex_Kawa-2cyl_8

**TRACTOR - - MODEL NO. GTH264T (96041031000), PRODUCT NO. 960 41 03-10
ENGINE 24**

| KEY NO. | PART NO. | DESCRIPTION |
|------------|--------------|---|
| 1 | ----- | Kawasaki FS730V-BS50 (445369) (Order parts from engine manufacturer.) |
| 2 | 532 44 59-62 | Muffler |
| 9 | 532 19 43-20 | Keeper Belt Engine |
| 11 | 587 24 14-01 | Clutch Electric |
| 12 | 532 19 43-43 | Pulley Engine |
| 15 | 532 19 34-99 | Tank Fuel 4.0 |
| 18 | 532 43 96-45 | Cap Fuel |
| 20 | 532 41 21-65 | Control Throttle |
| 21 | 532 41 63-58 | Screw #10 x 0.750 |
| 22 | 532 18 95-41 | Control Choke |
| 28 | 532 14 21-58 | Fuel Line |
| 29 | 532 13 71-80 | Spark Arrester Kit |
| 37 | 532 12 34-87 | Clamp Hose |
| 41 | 532 12 61-97 | Washer 1-1/2 OD x 15/32 ID x .250 |
| 42 | 810 04 07-00 | Washer Lock 7/16 |
| 45 | 873 51 04-00 | Nut Keps 1/4-20 unc |
| 62 | 532 43 40-17 | Shield Heat Muffler |
| 69 | 532 17 81-51 | Gasket |
| 70 | 532 42 47-65 | Tube Exhaust LH |
| 71 | 532 42 47-66 | Tube Exhaust RH |
| 81 | 532 14 84-56 | Tube Drain Oil Easy |
| 85 | 581 63 62-01 | Bolt Hex 7/16-20 x 3.0 x Gr. 5 |
| 86 | 532 18 43-62 | Nut |
| 87 | 532 17 18-77 | Bolt 5/16-18 unc x 1 w/Sems. |
| 90 | 817 00 06-16 | Screw 3/8-16 x 1 |
| 92 | 817 12 06-16 | Screw 3/8-16 x 1 |

NOTE: All component dimensions given in U.S. inches
1 inch = 25.4 mm

TRACTOR - - MODEL NO. GTH264T (96041031000), PRODUCT NO. 960 41 03-10
STEERING ASSEMBLY **41**



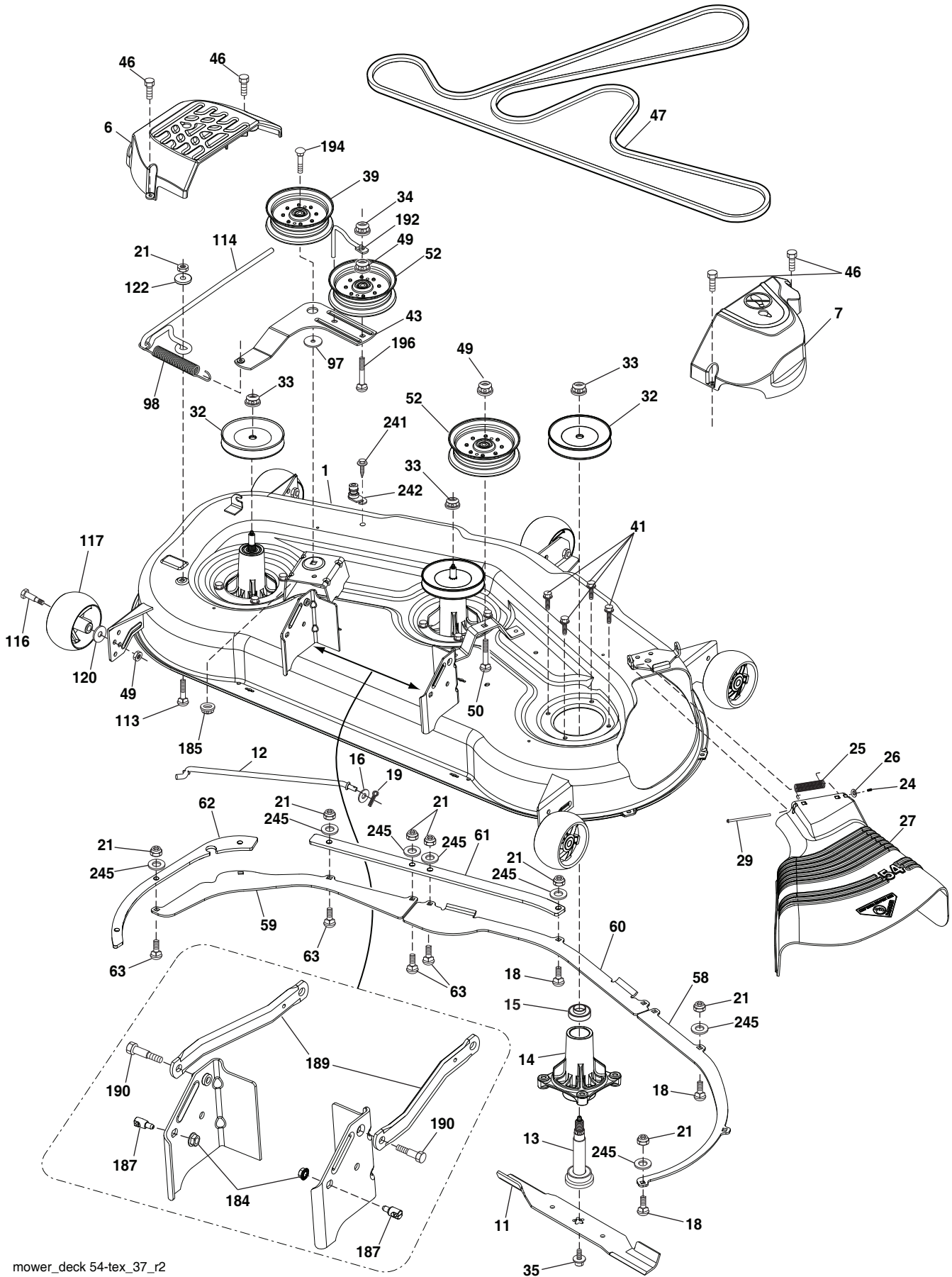
steering-tex_TTR_9

**TRACTOR - - MODEL NO. GTH264T (96041031000), PRODUCT NO. 960 41 03-10
STEERING ASSEMBLY 41**

| KEY NO. | PART NO. | DESCRIPTION |
|------------|--------------|----------------------------------|
| 1 | 532 43 97-40 | Wheel, Steering Husq SR |
| 2 | 532 43 68-70 | Axle Asm., Front |
| 4 | 532 43 68-73 | Spindle Asm., LH |
| 5 | 532 43 68-74 | Spindle Asm., RH |
| 6 | 532 12 49-31 | Bearing, Race Thrust Harden |
| 7 | 532 12 17-48 | Washer 25/32 x 1-5/8 x 16 Ga. |
| 8 | 812 00 00-29 | Ring, Clip #T5304-75 |
| 9 | 532 12 12-32 | Cap, Spindle |
| 13 | 532 12 17-49 | Washer 25/32 x 1-1/4 x 16 Ga. |
| 14 | 810 04 06-00 | Washer, Lock Hvy. Hlcl. Spr. 3/8 |
| 15 | 873 54 06-00 | Nut, Crown Lock 3/8-24 unf |
| 16 | 532 44 42-12 | Shaft Steering |
| 19 | 532 19 47-29 | Plate Steering |
| 21 | 532 43 77-47 | Adapter, Wheel Steering |
| 22 | 532 19 48-45 | Bushing |
| 26 | 532 43 97-43 | Insert, Wheel Steering Husq SR |
| 28 | 817 00 06-12 | Screw 3/8-16 x 3/4 |
| 35 | 532 44 07-70 | Gear, Sector Plate |
| 45 | 819 18 38-12 | Washer 9/16 x 2-3/8 x 12 Ga. |
| 51 | 873 94 08-00 | Nut Hex Jam Toplock 1/2-20 unf |
| 53 | 532 18 89-67 | WasherHardened.793x1.637x.060 |
| 57 | 532 19 72-46 | Bracket Upstop |
| 58 | 532 19 47-47 | Bolt Shoulder Sector Pivot CFM |
| 59 | 532 19 47-48 | Washer Thrust Sector Steering |
| 60 | 873 97 10-00 | Nut Flange Lock 5/8-11 |
| 61 | 532 43 68-84 | Draglink, LH |
| 62 | 532 43 68-85 | Draglink, RH |
| 63 | 817 00 05-12 | Screw 5/16-18 x 3/4 |
| 64 | 532 19 98-49 | Retainer Clip Spring Steering |
| 66 | 871 02 07-48 | Bolt Hex Fghd. 7/16-14 x 3 Serr. |
| 67 | 532 19 47-37 | Bushing PM Front Axle |
| 68 | 873 90 07-00 | Nut Lock Flange 7/16-14 Gr. 5 |
| 69 | 532 19 91-62 | Washer 1.5 x .505 x .118 |
| 70 | 532 19 61-97 | Bracket Deck Susp. Front |
| 80 | 532 00 13-70 | Washer Thrust |
| 81 | 532 43 68-87 | Subasm Link Cross RH |
| 82 | 532 43 68-77 | Pivot Bolt |
| 85 | 532 44 18-73 | Pivot RH NZTR |
| 86 | 532 44 18-72 | Pivot LH NZTR |
| 118 | 532 40 60-13 | Bushing |
| 122 | 532 44 49-62 | Cap Gear Sector Tex |

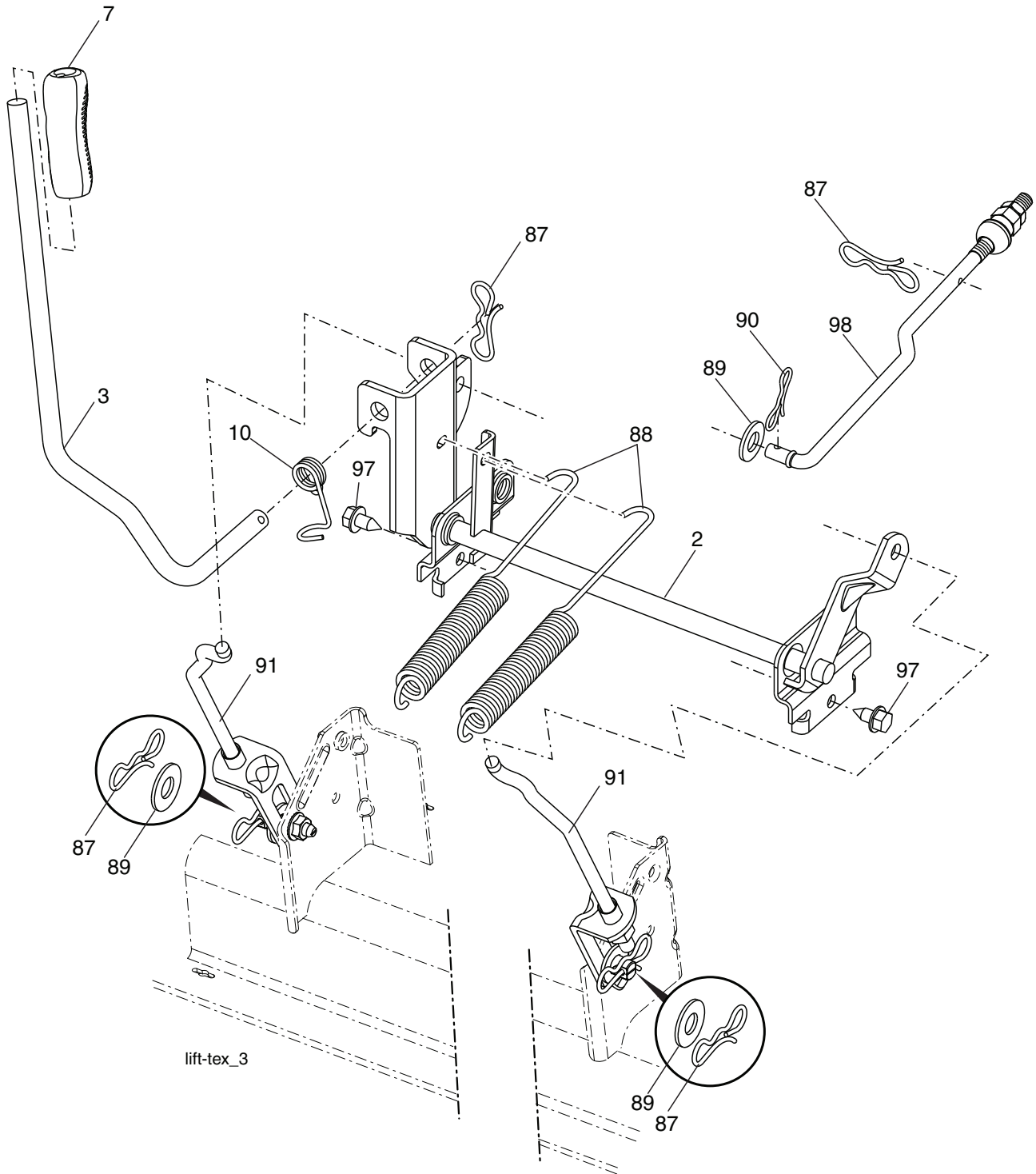
NOTE: All component dimensions given in U.S. inches
1 inch = 25.4 mm

TRACTOR - - MODEL NO. GTH264T (96041031000), PRODUCT NO. 960 41 03-10
MOWER DECK 44



mower_deck 54-tex_37_r2

TRACTOR - - MODEL NO. GTH264T (96041031000), PRODUCT NO. 960 41 03-10
 MOWER LIFT **45**

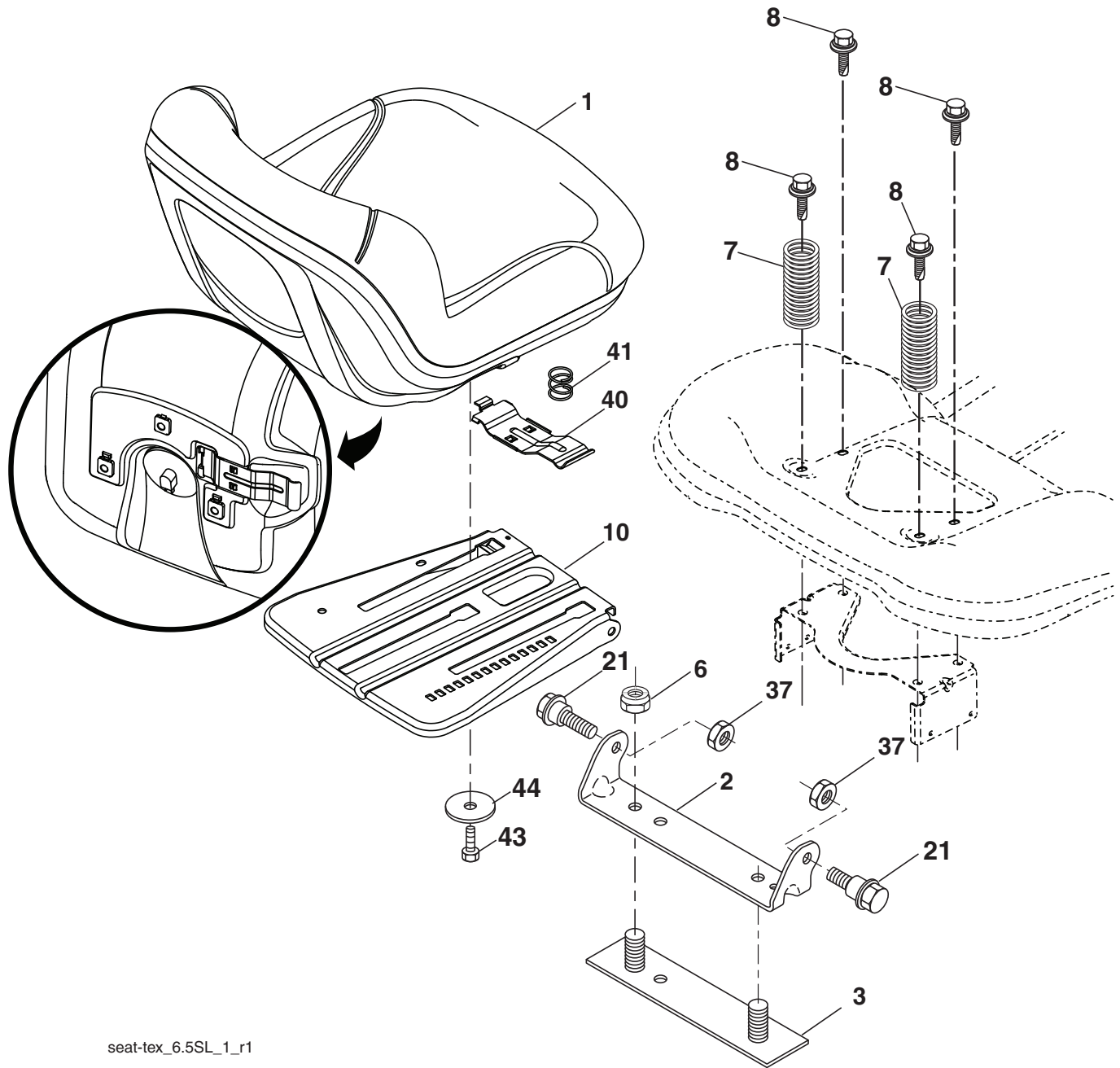


| KEY NO. | PART NO. | DESCRIPTION |
|---------|--------------|------------------------------|
| 2 | 532 42 20-27 | Shaft Asm., Lift |
| 3 | 532 19 52-30 | Lever Asm., Lift RH |
| 7 | 580 96 23-01 | Grip, Lever |
| 10 | 532 19 63-14 | Spring Torsion |
| 87 | 532 19 42-09 | Pin Cotter 7/16 Bow Tie Lock |
| 88 | 532 19 53-04 | Spring Lift Assist |
| 89 | 819 19 19-12 | Washer Clear Zinc |

| KEY NO. | PART NO. | DESCRIPTION |
|---------|--------------|-----------------------------------|
| 90 | 532 19 42-08 | Pin Cotter 5/16 Bow Tie Lock |
| 91 | 532 40 34-07 | Lift Link Asm. Rear |
| 97 | 817 00 06-12 | Screw 3/8-16 x .75 Smgml. Tap/R.Z |
| 98 | 532 19 52-64 | Link Asm. Susp. Front Mower |

NOTE: All component dimensions given in U.S. inches
 1 inch = 25.4 mm

**TRACTOR - - MODEL NO. GTH264T (96041031000), PRODUCT NO. 960 41 03-10
SEAT ASSEMBLY 42**



seat-tex_6.5SL_1_r1

| KEY NO. | PART NO. | DESCRIPTION |
|---------|--------------|--------------------------------|
| 1 | 532 42 40-73 | Seat |
| 2 | 532 18 01-66 | Bracket Pivot Fender |
| 3 | 532 14 06-75 | Strap, Asm. Fender |
| 6 | 873 80 06-00 | Nut, Lock w/Ins. 3/8-16 unc |
| 7 | 532 12 41-81 | Spring, Seat Cprsn. |
| 8 | 532 17 18-77 | Bolt 5/16-18 x 3/4 unc w/Sems. |
| 10 | 532 19 69-77 | Pan, Seat |
| 21 | 532 17 18-52 | Bolt, Shoulder 5/16-18 |

| KEY NO. | PART NO. | DESCRIPTION |
|---------|--------------|-------------------------------|
| 37 | 873 80 05-00 | Nut, Lock 5/16-18 unc |
| 40 | 532 19 76-61 | Handle Slide Seat |
| 41 | 532 19 82-00 | Spring Latch Seat |
| 43 | 874 76 06-12 | Bolt 3/8-16 x 3/4 |
| 44 | 819 13 38-12 | Washer 13/32 x 2-3/8 x 12 Ga. |

NOTE: All component dimensions given in U.S. inches
1 inch = 25.4 mm

