

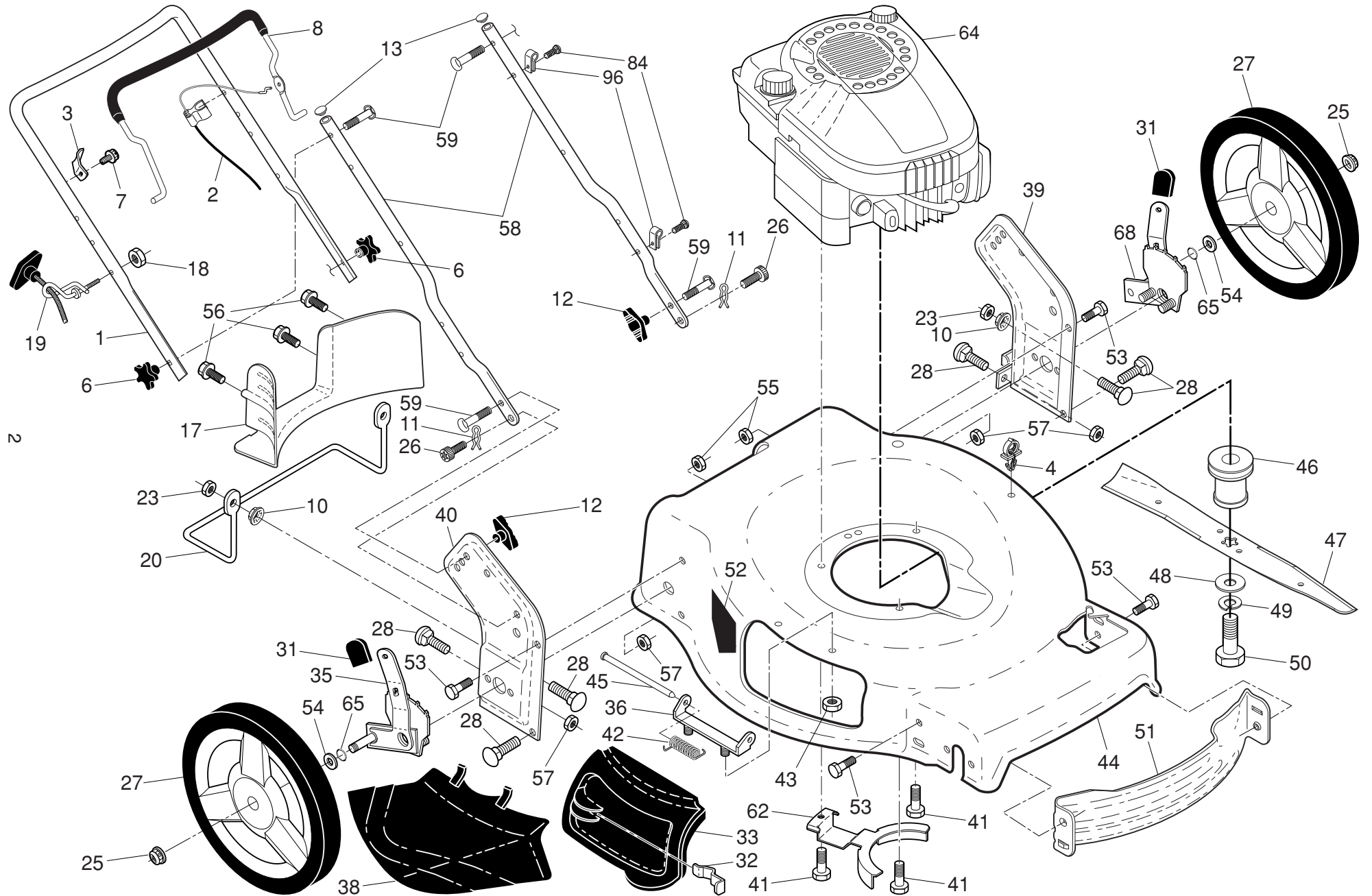
**ILLUSTRATED PARTS LIST**

**MODEL NUMBER J 55S L**

**PRODUCT NUMBER 961 21 00-18**

**MFG. ID. NUMBER 96121001808**

# HUSQVARNA LAWN MOWER - MODEL NO. J 55S L PRODUCT NO. 961 21 00-18 (MFG. ID. NO. 96121001808)



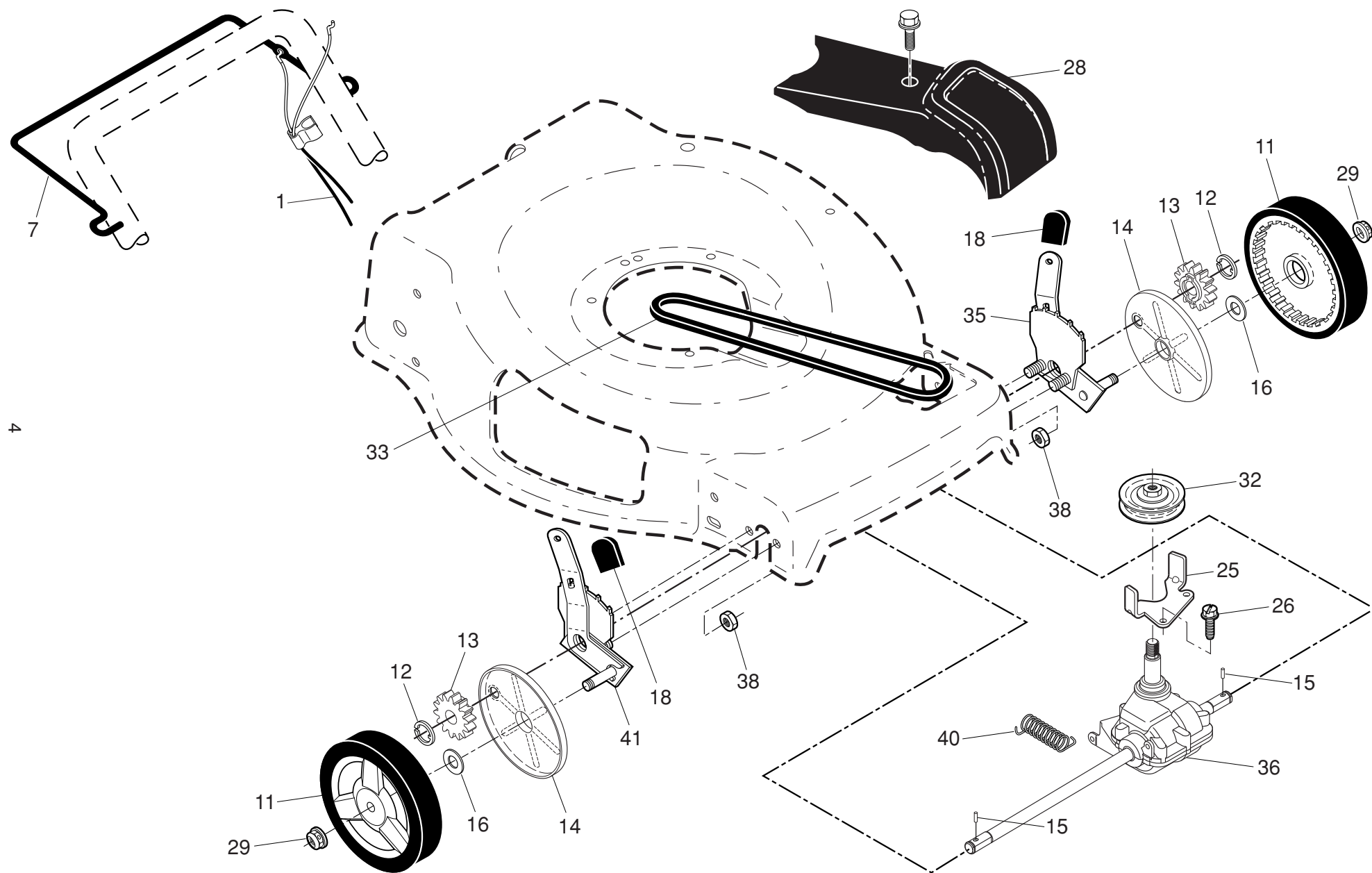
# HUSQVARNA LAWN MOWER - MODEL NO. J 55S L PRODUCT NO. 961 21 00-18 (MFG. ID. NO. 96121001808)

KEY NO.	PART NO.	DESCRIPTION	KEY NO.	PART NO.	DESCRIPTION
1	580 63 87-03	Upper Handle	43	532 19 17-30	Nut, Hex, Nylock
2	532 42 40-33	Engine Zone Control Cable	44	581 80 19-01	Kit, Lawn Mower Housing
3	532 43 00-34	Bracket, Upstop	45	532 17 56-50	Rod, Hinge
4	532 14 50-06	Guide, Cable	46	<b>581 47 33-01</b>	Blade Adapter / Pulley
6	532 18 23-98	Handle Knob, Star	47	580 24 40-01	Blade, 22"
7	532 17 88-48	Screw, Hex Washer Head #10-16 x 5/8	48	532 85 10-74	Washer, Hardened
8	580 84 91-02	Control Bar, Overmolded	49	532 85 02-63	Washer, Helical
10	532 42 30-63	Palnut	50	532 85 10-84	Screw, Machine, Hex Head 3/8-24 x 1-3/8 Grade 8
11	532 42 55-75	Hairpin	51	532 43 05-99	Front Baffle
12	532 19 19-38	Handle Knob, Standard	52	532 18 21-66	Decal, Danger
13	532 43 75-16	Plug, Lower Handle Bar	53	817 00 05-10	Screw, Hex Head 5/16
17	532 42 73-07	Rear Baffle	54	532 08 83-48	Washer, Flat
18	532 13 20-04	Keps Locknut 1/4-20	55	532 19 17-30	Nut, Hex, Flanged 1/4-20
19	532 19 47-88	Rope Guide	56	817 41 13-12	Screw, Hex Washer Head #13 x 3/4
20	532 42 24-67	Footguard	57	532 15 53-77	Locknut, Hex 5/16-18
23	873 97 05-00	Nut, Hex	58	532 44 11-97	Bar, Lower Handle
25	532 40 91-49	Nut, Hex, Flanged	59	532 19 15-74	Handle Bolt
26	532 41 99-45	Screw, Rear Door/Handle Pivot	62	532 43 50-59	Belt Retainer
27	580 33 46-01	Wheel & Tire Assembly, Rear	64	- - -	Engine, Briggs & Stratton, Model Number 124T02-0310-H1 (order parts from Briggs & Stratton)
28	872 25 05-05	Bolt, Carriage 5/16-18 x 5/8			
31	532 70 10-37	Selector Knob	65	532 19 74-80	O-Ring
32	532 44 11-92	Latch, Mulcher Door	68	532 43 11-41	Wheel Adjuster Assembly, LH (Includes Knob)
33	532 41 99-27	Mulcher Door			
35	532 43 11-40	Wheel Adjuster Assembly, RH (Includes Knob)	84	532 42 81-24	Fastener, Push
36	532 17 57-35	Hinge Bracket Assembly	96	532 19 79-91	Clip, Cable
38	532 42 61-29	Discharge Deflector	- -	115 54 59-20	Operator's Manual, European
39	581 35 37-02	Handle Bracket, LH	- -	115 54 59-10	Operator's Manual, Scandinavian
40	581 35 36-02	Handle Bracket, RH	- -	115 54 59-50	Operator's Manual, East Bloc
41	532 15 04-06	Screw, Dogpoint 3/8-16 x 1-1/8	- -	115 54 59-40	Operator's Manual, Baltic
42	532 19 30-00	Spring, Torsion			

**NOTE:** All component dimensions given in U.S. inches. 1 inch = 25.4 mm

**IMPORTANT:** Use only Original Equipment Manufacturer (O.E.M.) replacement parts. Failure to do so could be hazardous, damage your lawn mower and void your warranty.

**HUSQVARNA LAWN MOWER - MODEL NO. J 55S L PRODUCT NO. 961 21 00-18 (MFG. ID. NO. 96121001808)**



# HUSQVARNA LAWN MOWER - MODEL NO. J 55S L PRODUCT NO. 961 21 00-18 (MFG. ID. NO. 96121001808)

KEY NO.	PART NO.	DESCRIPTION	KEY NO.	PART NO.	DESCRIPTION
1	<b>585 04 07-01</b>	Drive Cable Assembly			
7	<b>585 12 31-02</b>	Control Bar, Drive	29	532 40 91-48	Mounting Screw and Pushnut)
11	532 41 10-81	Wheel & Tire Assembly, Front	32	532 44 32-62	Locknut, Hex
12	812 00 00-58	E-Ring	33	532 19 68-53	Drive Pulley
13	532 40 38-49	Pinion	35	<b>581 49 79-04</b>	V-Belt
14	581 84 04-01	Dust Cover			Wheel Adjuster Assembly, LH (Includes Bearing)
15	532 40 48-45	Pawl, Drive	36	532 42 47-41	Gear Case Assembly, Complete
16	532 06 77-25	Washer, Flat 3/8	38	532 19 17-30	Locknut 1/4-20
18	532 70 10-37	Selector Knob	40	532 40 65-58	Spring
25	532 43 17-11	Belt Guide Bracket	41	<b>581 49 79-03</b>	Wheel Adjuster Assembly, RH (Includes Bearing)
26	532 16 34-09	Screw, Hi-Lo Thread #12 x 5/8			
28	581 83 90-01	Drive Cover Assembly (Includes			

**NOTE:** All component dimensions given in U.S. inches. 1 inch = 25.4 mm

**IMPORTANT:** Use only Original Equipment Manufacturer (O.E.M.) replacement parts. Failure to do so could be hazardous, damage your lawn mower and void your warranty.