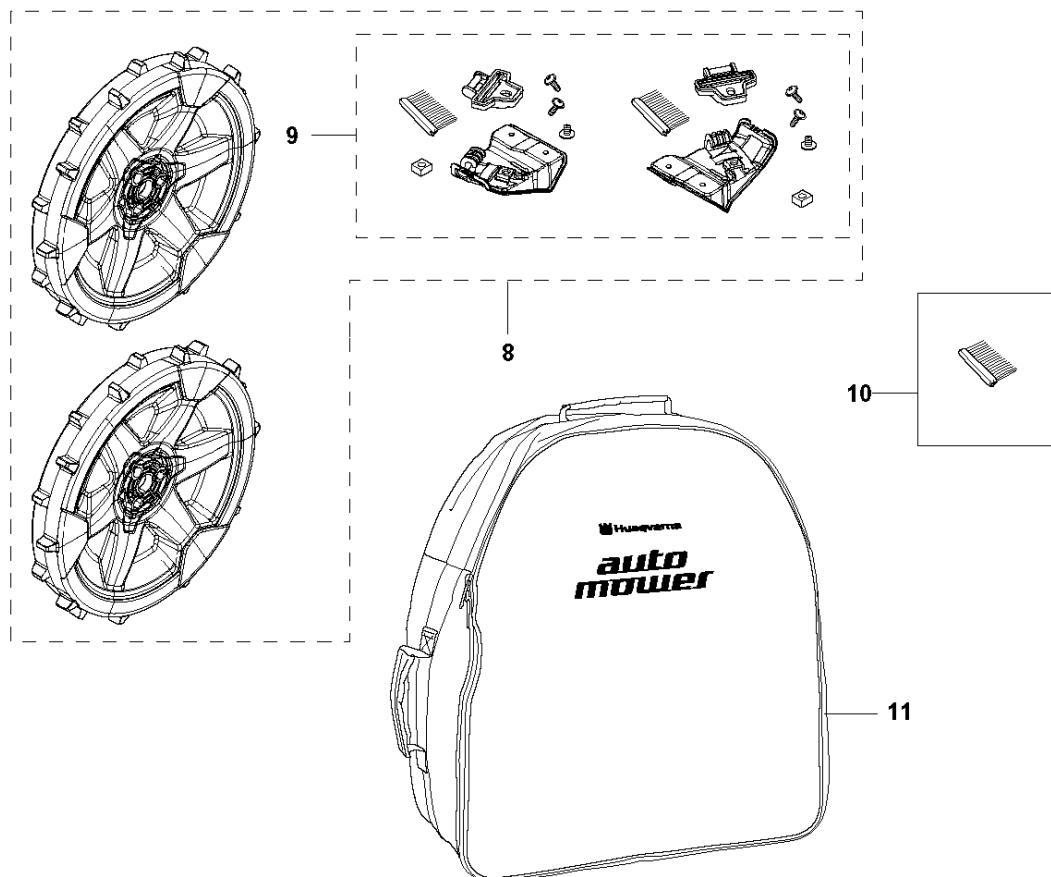
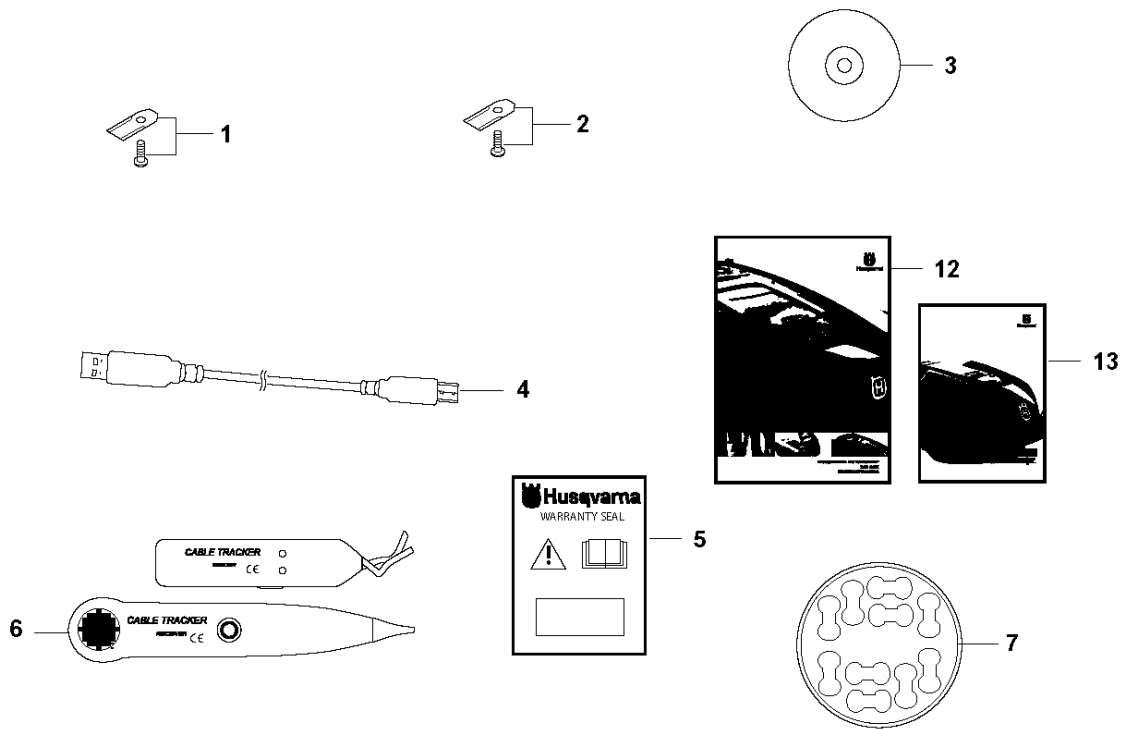




SPARE PARTS LIST

ROBOTIC LAWN MOWERS
AUTOMOWER 330X, 2013-06

G AUTOMOWER 330X
ACCESSORIES

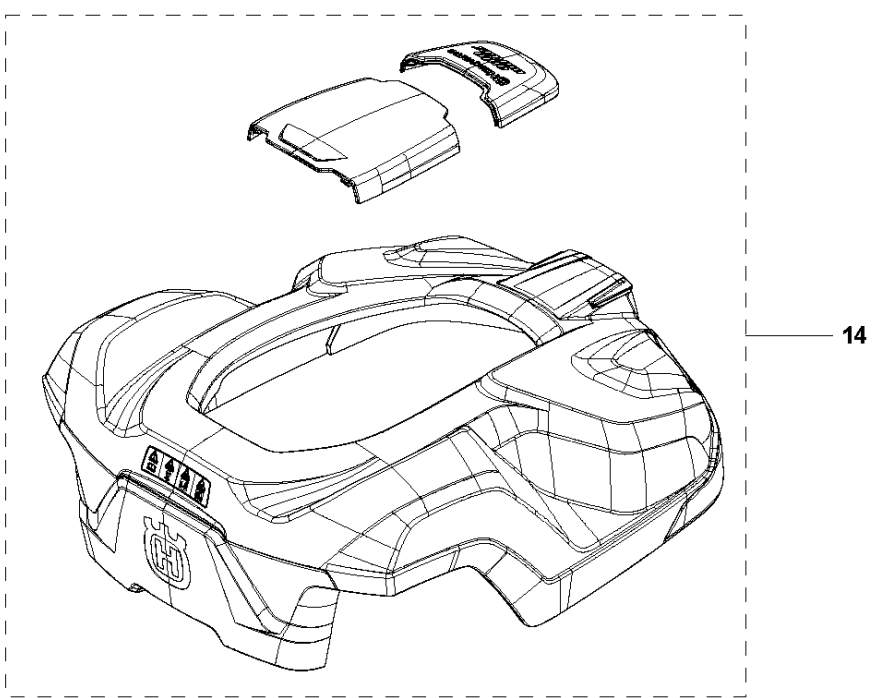
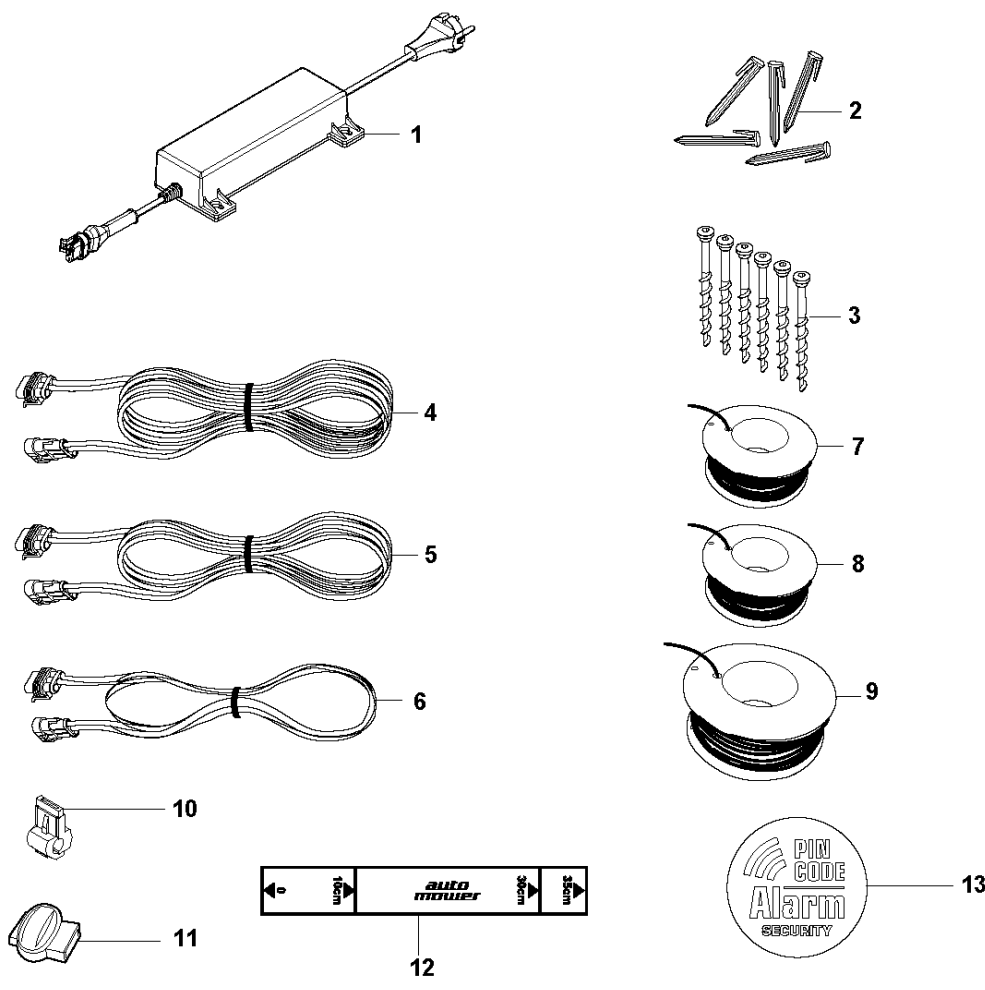


ACCESSORIES

AUTOMOWER 330X, 2013-06

Ref	Part No	Description	Remark	QTY KIT
1	535 13 87-02	BLADE(9PCS)	9pcs	1
1	577 86 44-01	BLADE	9pcs	1
1	535 13 88-02	BLADE 30PCS	30pcs	1
1	505 12 78-02	BLADE	500pcs	1
2	577 60 64-02	BLADE	9pcs	1
2	577 86 46-01	BLADE	9pcs	1
2	577 60 65-02	BLADE	30pcs	1
2	577 60 66-02	BLADE	300pcs	1
3	577 85 81-02	DVD		1
4	577 51 81-01	CABLE		1
5	580 68 95-02	LABEL	1pcs	1
5	584 90 22-01	LABEL	10pcs	1
6	577 60 68-01	TEST EQUIPMENT		1
7	581 84 28-01	STICKER		1
8	581 88 97-01	WHEEL KIT		1
9	581 90 31-01	BRUSH KIT	6pcs	1
10	581 98 20-01	BRUSH KIT	6pcs	1
11	522 91 67-01	BAG		1
12	115 49 23-01	OPERATOR'S MANUAL	Swedish	1
12	115 49 23-26	OPERATOR'S MANUAL	English	1
12	115 49 23-31	OPERATOR'S MANUAL	French	1
12	115 49 23-36	OPERATOR'S MANUAL	Dutch	1
12	115 49 23-41	OPERATOR'S MANUAL	Italian	1
12	115 49 23-46	OPERATOR'S MANUAL	Spanish	1
12	115 49 23-51	OPERATOR'S MANUAL	German	1
12	115 49 23-58	OPERATOR'S MANUAL	Hungarian	1
12	115 49 23-59	OPERATOR'S MANUAL	Portuguese	1
12	115 49 23-61	OPERATOR'S MANUAL	Polish	1
12	115 49 23-68	OPERATOR'S MANUAL	Slovak	1
12	115 49 23-84	OPERATOR'S MANUAL	Slovenian	1
12	115 49 23-90	OPERATOR'S MANUAL	Czech	1
13	115 49 25-01	QUICK GUIDE	Swedish	1
13	115 49 25-26	QUICK GUIDE	English	1
13	115 49 25-31	QUICK GUIDE	French	1
13	115 49 25-36	QUICK GUIDE	Dutch	1
13	115 49 25-41	QUICK GUIDE	Italian	1
13	115 49 25-46	QUICK GUIDE	Spanish	1
13	115 49 25-51	QUICK GUIDE	German	1
13	115 49 25-58	QUICK GUIDE	Hungarian	1
13	115 49 25-59	QUICK GUIDE	Portuguese	1
13	115 49 25-61	QUICK GUIDE	Polish	1
13	115 49 25-68	QUICK GUIDE	Slovak	1
13	115 49 25-84	QUICK GUIDE	Slovenian	1
13	115 49 25-90	QUICK GUIDE	Czech	1

F AUTOMOWER 330X
ACCESSORIES

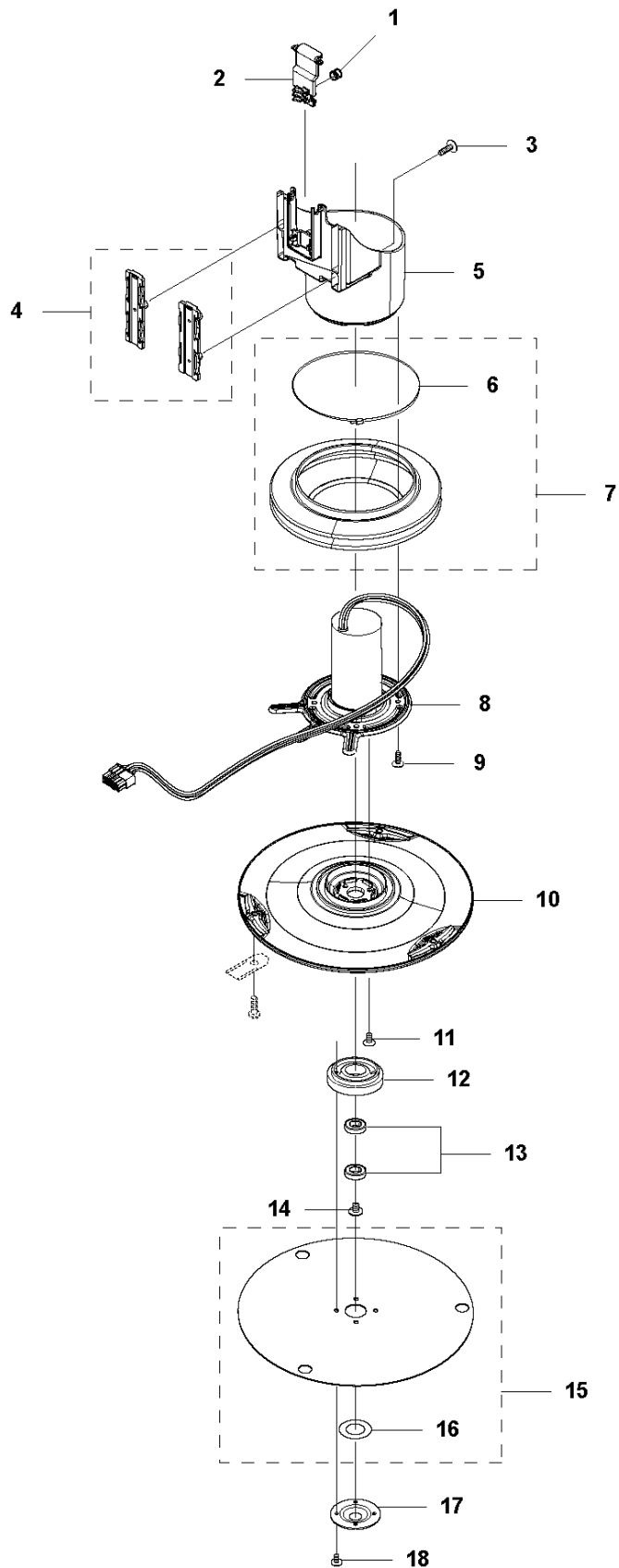


ACCESSORIES

AUTOMOWER 330X, 2013-06

Ref	Part No	Description	Remark	QTY KIT
1	580 38 06-01	POWER UNIT	(EU)	1
1	580 38 06-02	POWER UNIT	(UK/IRL)	1
1	580 38 06-03	POWER UNIT	(CH)	1
1	580 38 06-04	POWER UNIT	(US/MX)	1
1	580 38 06-05	POWER UNIT	(AU/NZ)	1
2	504 04 97-01	STAPLE	100pcs	1
2	577 86 42-01	STAPLE	Blister pack, 100pcs	1
3	575 23 86-01	SCREW KIT	6pcs	1
3	577 86 49-01	SCREW	Blister Pack, 3pcs	1
4	580 43 38-01	CABLE	(20m)	1
5	580 43 38-02	LOOM	(10m)	1
6	580 43 38-03	LOOM	WIRING (3m)	1
7	501 98 03-02	WIRE	(150m)	1
7	577 86 43-01	WIRE	Blister pack, (150m)	1
8	501 98 03-01	WIRE	(250m)	1
9	522 91 41-01	WIRE	(500m, Ø3.4 mm)	1
10	535 12 90-01	COUPLER		1
10	577 86 48-01	CONNECTOR	Blister Pack, 5pcs	1
11	501 98 02-01	COUPLER		1
11	577 86 47-01	COUPLER	Blister pack, 5pcs	2
11	501 98 02-02	COUPLER	50pcs	1
12	544 17 75-01	MEASURING TAPE		1
13	579 57 12-01	LABEL		1
14	580 96 57-01	BODY KIT	White	1

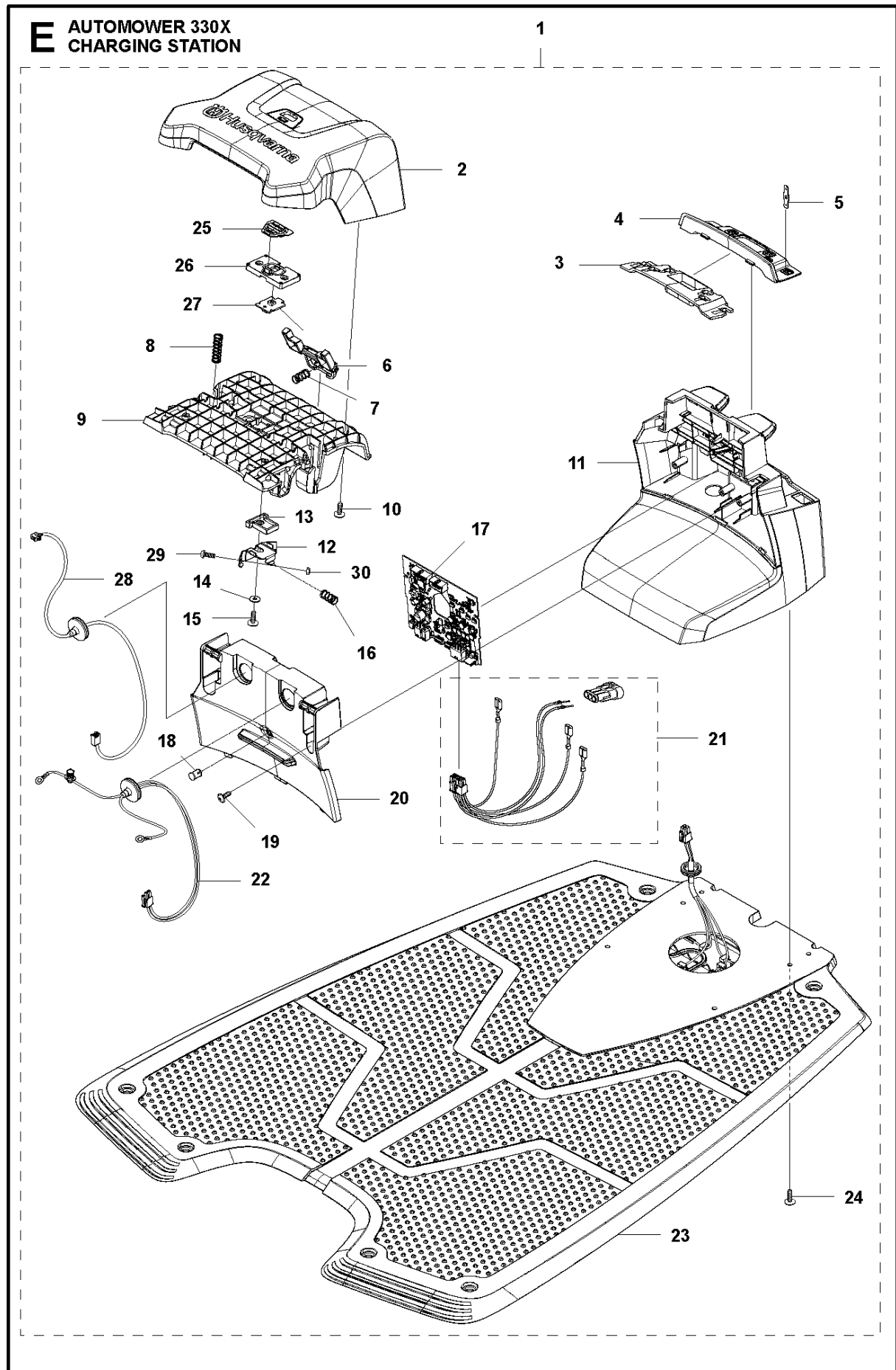
D AUTOMOWER 330X
BLADE MOTOR & CUTTING EQUIPMENT



BLADE MOTOR & CUTTING EQUIPMENT

AUTOMOWER 330X, 2013-06

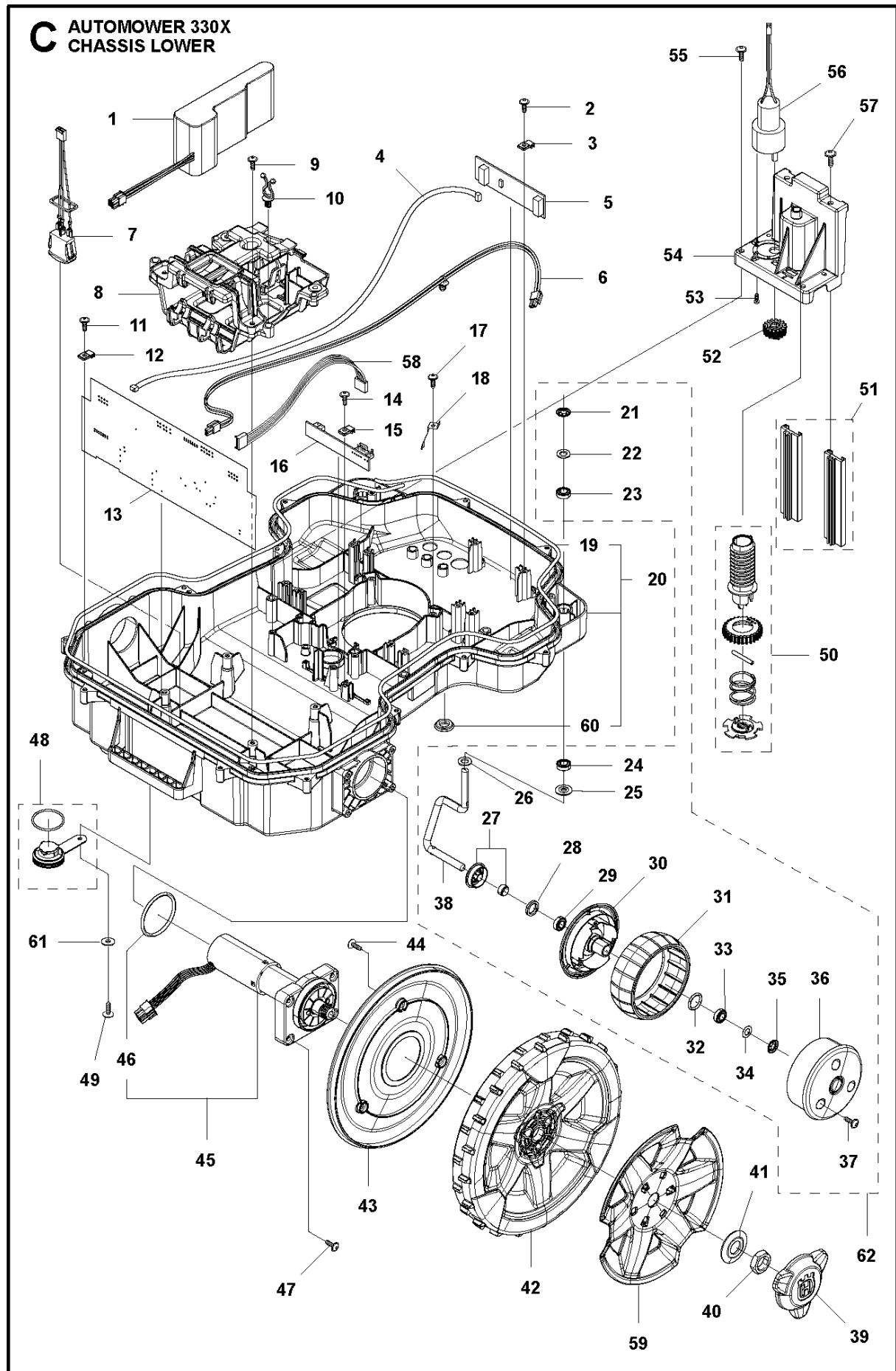
Ref	Part No	Description	Remark	QTY	KIT
1	580 62 44-01	SPRING		1	
2	579 56 46-01	LINK		1	
3	575 54 33-14	SCREW		3	
4	581 62 18-01	BEARING KIT		1	
5	579 56 45-01	HOUSING		1	
6	580 75 41-01	TIE WRAP		1	7
7	581 62 21-01	BELLOWS KIT		1	
8	580 23 48-01	MOTOR ASSY		1	
9	575 54 33-14	SCREW		4	
10	580 79 30-02	CUTTING DISC		1	
11	535 13 05-01	SCREW		3	
12	535 12 64-01	BEARING BOX		1	
13	535 07 57-02	BALL BEARING		2	
14	535 07 60-01	SCREW		1	
15	581 62 19-01	PLATE KIT		1	
16	535 08 25-01	GASKET		1	15
17	535 08 15-01	COVER WASHER		1	
18	575 54 33-10	SCREW		4	



CHARGING STATION

AUTOMOWER 330X, 2013-06

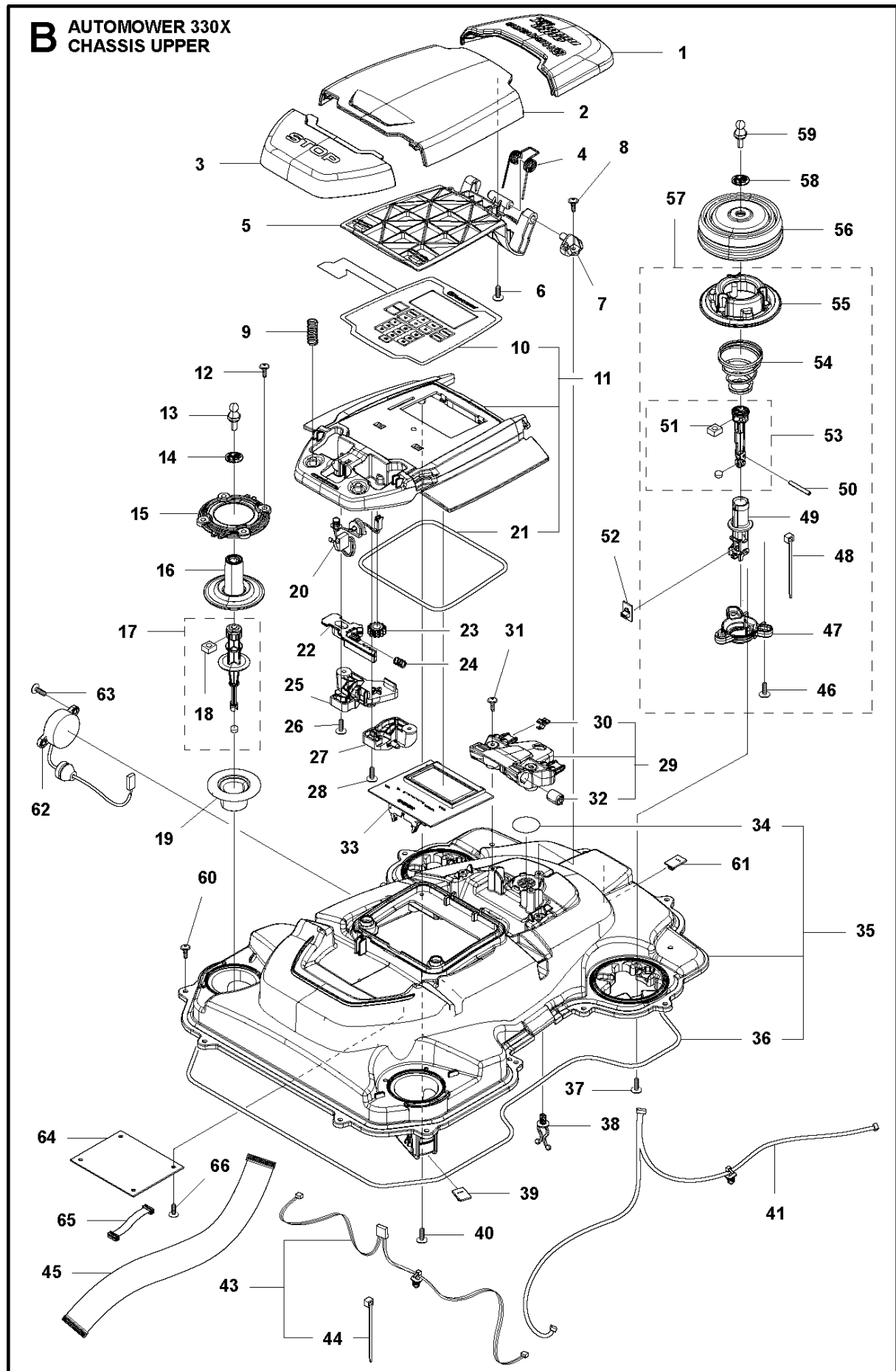
Ref	Part No	Description	Remark	QTY	KIT
1	580 76 55-02	CHARGING STATION		1	
2	579 44 82-02	CAP		1	1
3	579 45 99-01	HOLDER		1	1
4	579 45 98-01	PANEL		1	1
5	580 50 41-01	TERMINAL		4	1
6	579 46 24-01	BUTTON		1	1
7	574 48 70-01	SPRING		1	1
8	580 51 14-01	SPRING		2	1
9	579 45 80-01	FRAME		1	1
10	575 54 33-14	SCREW		4	1
11	579 46 23-01	HOUSING		1	1
12	579 54 30-01	CHARGING PLATE		2	1
13	579 46 05-01	DISTANCE		2	1
14	734 11 37-41	WASHER		2	1
15	575 54 33-14	SCREW		2	1
16	580 51 14-01	SPRING		2	1
17	579 56 55-01	PRINTED CIRCUIT ASSY		1	1
18	535 12 87-02	DIODE LENS		1	1
19	575 54 33-14	SCREW		2	1
20	579 45 97-02	LID		1	1
21	581 62 23-02	LOOM KIT		1	1
22	579 70 85-01	LOOM		1	1
23	575 23 16-01	CHARGING PLATE		1	1
24	575 54 33-14	SCREW		4	1
25	580 23 96-01	BUTTON		1	1
26	579 46 08-01	LENS		1	1
27	579 73 01-01	PRINTED CIRCUIT ASSY		1	1
28	579 70 83-01	LOOM		1	1
29	576 21 38-01	SCREW ITPANM		2	1
30	732 25 12-01	HEXAGON LOCKING NUT		2	1



CHASSIS LOWER

AUTOMOWER 330X, 2013-06

Ref	Part No	Description	Remark	QTY	KIT
1	580 68 33-01	BATTERY		2	
2	575 54 33-14	SCREW		2	
3	579 52 94-01	CLAMP		2	
4	579 70 82-01	LOOM		1	
5	579 66 02-01	PRINTED CIRCUIT ASSY		1	
6	580 37 07-01	LOOM		1	
7	579 70 87-01	LOOM		1	
8	580 60 96-01	HOLDER		1	
9	574 45 01-01	SCREW ITXPANT		5	
10	580 68 29-01	HOLDER		7	
11	575 54 33-14	SCREW		2	
12	579 52 94-01	CLAMP		2	
13	578 42 54-01	PRINTED CIRCUIT ASSY		1	
14	575 54 33-14	SCREW		1	
15	579 52 94-01	CLAMP		1	
16	579 72 85-01	PRINTED CIRCUIT ASSY		1	
17	575 54 33-14	SCREW		2	
18	581 55 61-01	SPRING		2	
19	574 87 47-05	SEALING STRIP		1	
19	581 90 32-01	SEALING STRIP	10 PCS	1	
20	583 94 45-01	CHASSIS KIT		1	
21	576 01 93-01	LOCK WASHER		2	62
22	580 76 46-01	WASHER		2	62
23	580 60 51-01	BALL BEARING		2	62
24	580 60 51-01	BALL BEARING		2	62
25	535 08 78-03	WASHER		2	62
26	580 76 46-01	WASHER		2	62
27	581 62 15-01	SHIELD KIT		2	62
28	580 48 71-01	SEALING		2	62
29	580 60 51-01	BALL BEARING		2	62
30	579 45 71-01	WHEEL		2	62
31	574 44 98-01	WHEEL		2	62
32	580 44 51-01	O-RING		2	62
33	580 60 51-01	BALL BEARING		2	62
34	580 76 46-01	WASHER		2	62
35	576 01 93-01	LOCK WASHER		2	62
36	579 45 72-01	WHEEL		2	62
37	575 54 33-14	SCREW		6	62
38	580 33 61-01	SPINDLE		2	62
39	579 50 55-01	HUB CAP		2	
40	731 43 24-01	HEXAGON THIN NUT		2	
41	580 41 21-01	SPRING WASHER		2	
42	579 50 60-01	REAR WHEEL		2	
43	579 50 56-01	COVER		2	
44	575 54 33-14	SCREW		6	
45	583 94 44-01	MOTOR KIT		2	
46	580 44 39-01	O-RING		2	45
47	574 45 01-01	SCREW ITXPANT		8	
48	581 62 12-01	PLUG KIT		1	
49	575 54 33-14	SCREW		1	
50	581 62 16-01	SCREW KIT		1	
51	581 62 18-01	BEARING KIT		1	
52	579 56 47-01	GEAR		1	
53	510 01 87-03	SCREW		3	
54	579 56 51-01	HOUSING		1	
55	575 54 33-14	SCREW		4	
56	580 34 21-01	MOTOR		1	
57	510 72 29-01	SCREW		2	
58	579 70 80-01	LOOM		1	
59	579 50 57-01	WHEEL COVER		2	
60	581 82 25-01	PLUG		2	20
61	734 11 37-41	WASHER		1	
62	581 62 14-01	WHEEL KIT		2	

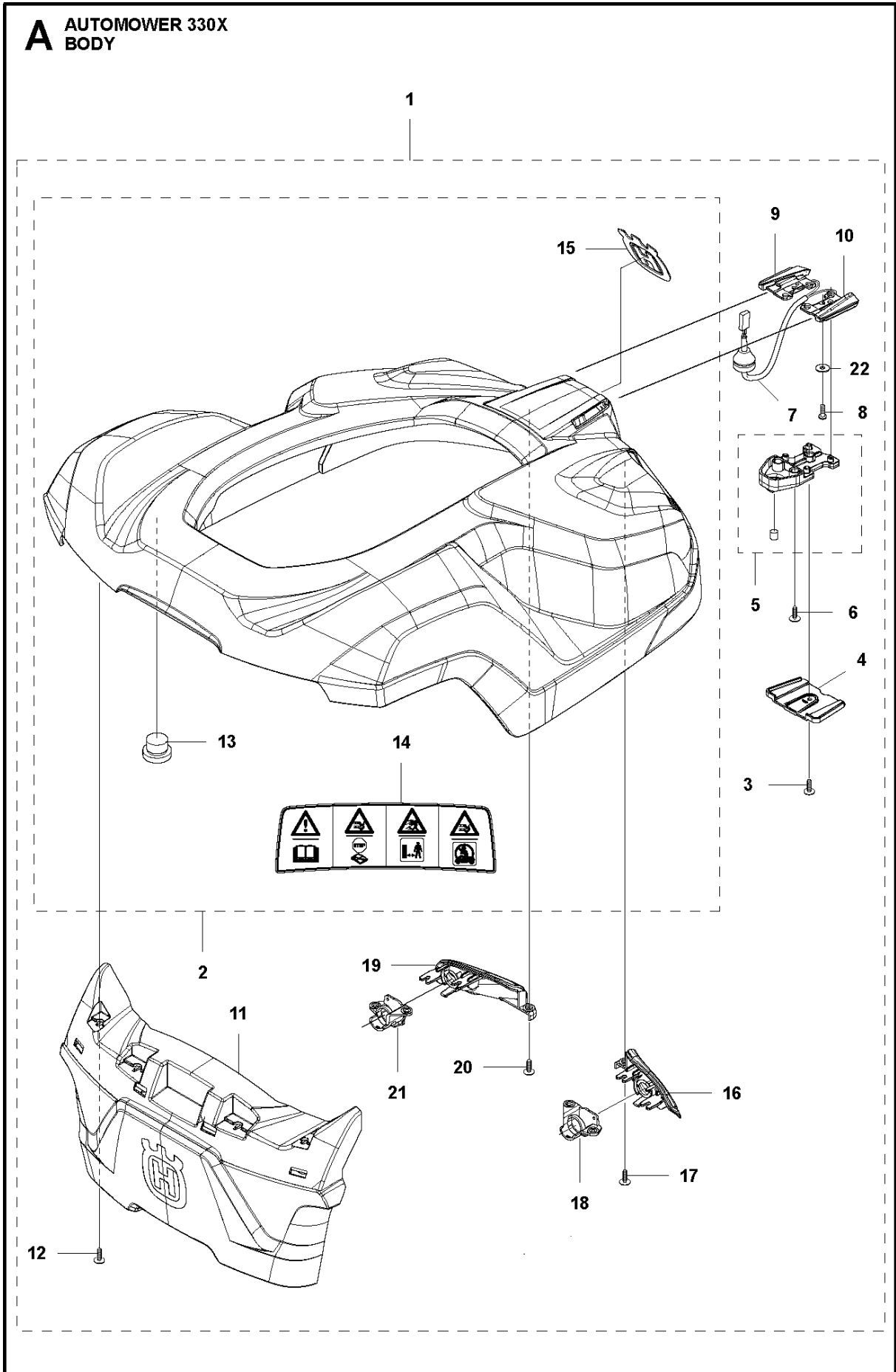


CHASSIS UPPER

AUTOMOWER 330X, 2013-06

Ref	Part No	Description	Remark	QTY	KIT
1	579 45 83-03	COVER		1	
2	579 45 85-01	HATCH		1	
3	579 45 81-01	BUTTON		1	
4	580 67 30-01	TORSION SPRING		1	
5	579 45 86-01	HINGE		1	
6	575 54 33-14	SCREW		2	
7	579 45 87-01	HINGE PIN		2	
8	575 54 33-14	SCREW		2	
9	535 13 01-01	SPRING		2	
10	579 62 79-01	KEYBOARD		1	11
11	583 94 37-01	COVER KIT		1	
12	574 45 01-01	SCREW ITPANT		8	
13	580 52 67-01	STUD		2	
14	579 52 57-01	WASHER		2	
15	579 52 59-01	RING FASTENER		2	
16	577 52 58-01	RUBBER GAITERS		2	
17	579 24 88-01	COLUMN		2	
18	503 22 66-01	SQUARE NUT		2	17
19	535 14 32-01	DEFLECTION LIMITER		2	
20	574 48 03-01	SWITCH		1	
21	574 87 47-06	SEALING STRIP		1	11
21	581 90 32-02	SEALING STRIP		1	
22	579 45 88-01	LOCKING PLATE		2	
23	579 45 84-01	GEAR WHEEL		1	
24	576 24 22-01	SPRING		2	
25	579 50 50-01	BRACKET		1	
26	575 54 33-14	SCREW		2	
27	579 50 50-02	BRACKET		1	
28	575 54 33-14	SCREW		2	
29	581 62 07-01	SUPPORT KIT		1	
30	580 35 45-01	CLIP		2	29
31	575 54 33-14	SCREW		3	
32	580 35 23-01	DAMPER		2	29
33	578 12 71-01	PRINTED CIRCUIT ASSY		1	
34	577 75 37-01	KIT	(10 pcs)	1	35
35	581 62 08-01	CHASSIS KIT		1	
36	574 87 47-05	SEALING STRIP		1	35
36	581 90 32-01	SEALING STRIP		1	
37	574 45 01-01	SCREW ITPANT		6	
38	580 68 29-01	HOLDER		2	
39	579 66 91-01	PRINTED CIRCUIT ASSY		1	
40	575 54 33-14	SCREW		4	
41	581 66 09-01	LOOM KIT		1	
43	581 62 11-01	LOOM KIT		1	
44	900 23 87-08	TIE WRAP		2	43
45	579 70 62-01	LOOM		1	
46	575 54 33-14	SCREW		6	57
47	579 48 47-01	SEAT		2	57
48	900 23 87-08	TIE WRAP		2	57
49	579 48 46-01	JOYSTICK		2	57
50	720 12 77-06	PARALLEL PIN		2	57
51	503 22 66-01	SQUARE NUT		2	57
52	579 66 90-01	PRINTED CIRCUIT ASSY		2	
53	583 94 33-01	ROD		2	57
54	580 67 25-01	SPRING		2	57
55	579 48 48-01	RETAINER		2	57
56	579 47 46-01	BELLOWS		2	
57	581 62 09-01	JOYSTICK KIT		2	
58	579 52 57-01	WASHER		2	
59	580 52 67-01	STUD		2	
60	574 45 01-01	SCREW ITPANT		14	
61	579 66 91-01	PRINTED CIRCUIT ASSY		1	
62	579 70 63-01	BUZZER		1	
63	575 54 33-14	SCREW		2	
64	581 01 40-01	PRINTED CIRCUIT ASSY		1	
65	581 29 18-01	LOOM		1	
66	575 54 33-14	SCREW		4	

A AUTOMOWER 330X
BODY



COVER

AUTOMOWER 330X, 2013-06

Ref	Part No	Description	Remark	QTY	KIT
1	580 76 64-02	BODY SYSTEM		1	
2	583 94 31-01	BODY KIT		1	1
3	575 54 33-14	SCREW		1	1
4	580 35 19-01	SHIELD		1	1
5	581 62 05-01	HOLDER KIT		1	1
6	575 54 33-14	SCREW		2	1
7	580 25 73-01	LOOM		1	1
8	580 87 78-01	SCREW ITPANT		2	1
9	579 53 30-01	COVER		1	1
10	579 53 30-02	COVER		1	1
11	579 51 98-01	BUMPER		1	1
12	574 45 01-01	SCREW ITPANT		4	1
13	580 52 68-01	CAP		4	1, 2
14	579 72 48-01	LABEL		1	1, 2
15	574 38 21-01	DECAL		1	1, 2
16	580 49 73-02	INSERT		1	1
17	575 54 33-14	SCREW		3	1
18	580 49 74-04	HOLDER		1	1
19	580 49 73-01	INSERT		1	1
20	575 54 33-14	SCREW		3	1
21	580 49 74-03	HOLDER		1	1
22	734 11 37-41	WASHER		2	1