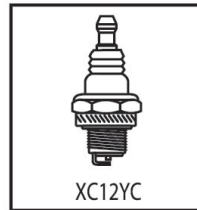
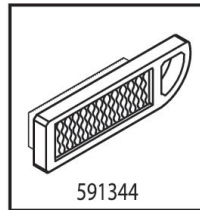


ILLUSTRATED PARTS LIST

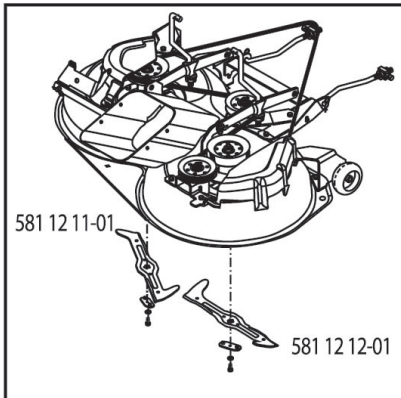
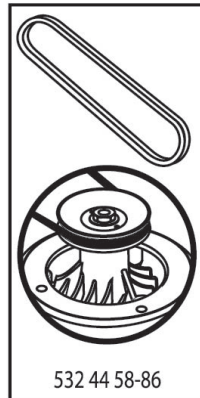
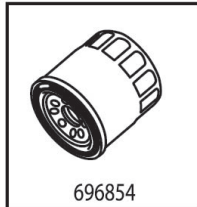
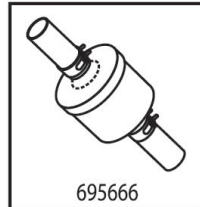
MFG. ID NO. 96051008300

CUSTOMER CATALOG NO. CTH 224TFI

PRODUCT NO. 960 51 00-83

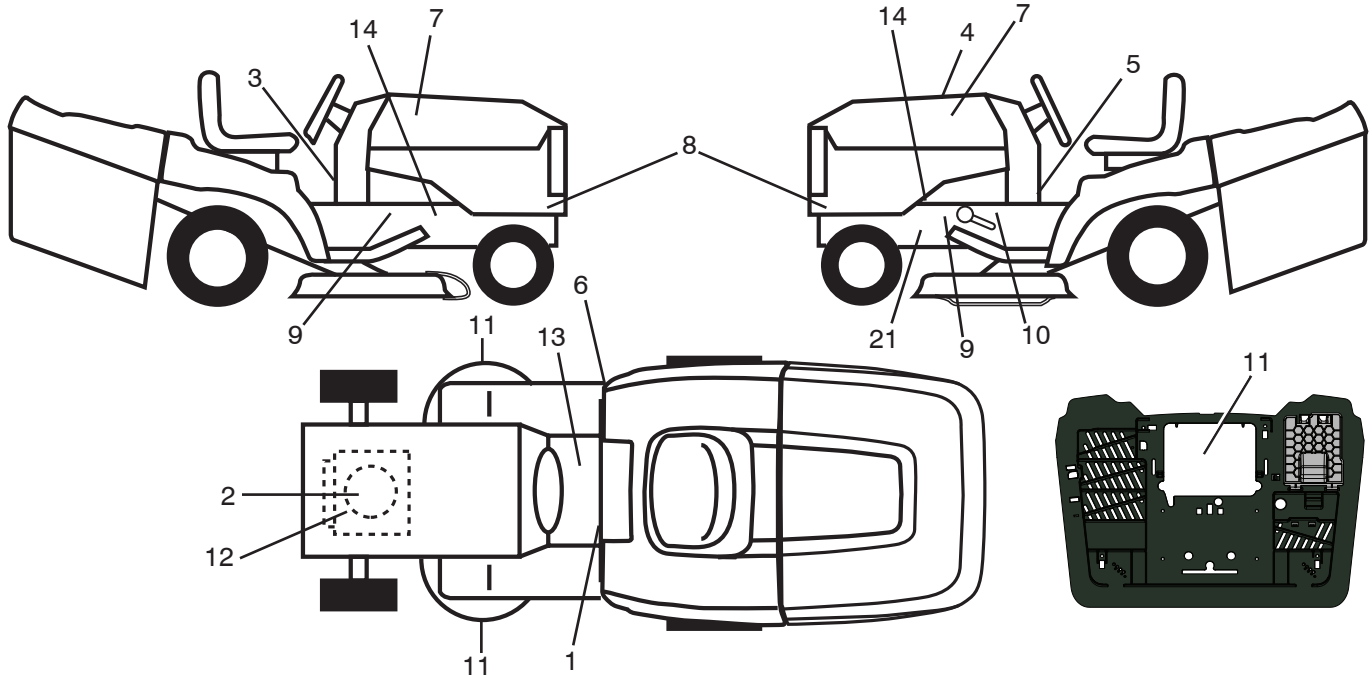


47



585863401

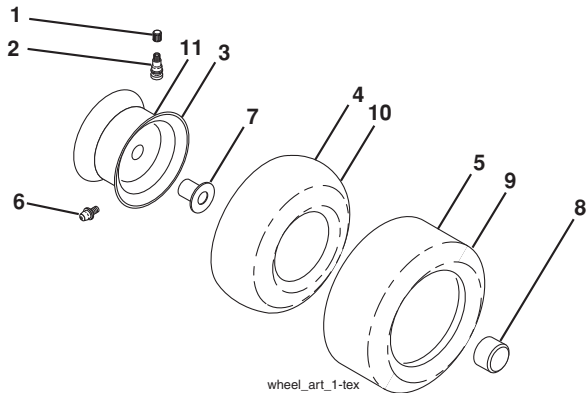
TRACTOR - MODEL NO. CTH224TFI (96051008300), PRODUCT NO. 96051 00-83
DECALS 27



KEY NO.	PART NO.	DESCRIPTION
1	586 34 95-01	Decal, FNDR
2	581 57 97-01	Decal, Warning Eng. Sym.
3	586 06 62-01	Decal, Snowflake
4	585 86 34-01	Decal, Replacement
5	581 57 84-01	Decal, Lower Dash
6	581 72 41-01	Decal, 100 DBA
7	581 62 73-01	Decal, Hood
8	586 12 07-01	Decal, Side Panel
9	581 57 98-01	Decal, Warning
10	532 41 86-01	Decal, Pedal
11	581 57 91-01	Decal, Mower Cut Finger Symbol

KEY NO.	PART NO.	DESCRIPTION
12	586 00 10-01	Decal, Engine B&S
13	586 80 03-01	Decal, Tractor Saddle
14	581 57 96-01	Decal, Chassis Hot Muffler
21	532 44 11-89	Decal, Belt Schematic
--	532 44 46-19	Decal, Bypass
--	532 44 54-93	Decal, Warning Combined
--	532 44 51-02	Decal, Battery Door
--	532 44 14-09	Pad Footrest LH
--	532 44 14-10	Pad Footrest RH
--	586 12 16-40	Manual Operator's (Euro)

WHEELS AND TIRES



KEY NO.	PART NO.	DESCRIPTION
1	532 05 91-92	Cap Valve Tire
2	532 06 51-39	Stem Valve
3	532 13 83-36	Rim Front
4	532 05 99-04	Tube Front (Service Item Only)
5	532 10 62-22	Tire Front 15 x 6.0-6
6	532 12 49-57	Fitting Grease (Front Wheel Only)
7	532 12 49-59	Bearing Flange (Front Wheel Only)
8	532 17 50-39	Cap Axle Blk 1 50 x 1 00
9	532 42 05-31	Tire R 18 x 9.5-8
10	532 12 49-26	Tube Rear (Service Item Only)
11	532 13 83-37	Rim Asm 8" Rear
--	532 14 43-34	Sealant, Tire (10 oz. Tube)

NOTE: All component dimensions given in U.S. inches
 1 inch = 25.4 mm

TRACTOR - MODEL NO. CTH224TFI (96051008300), PRODUCT NO. 9605100-83

SCHEMATIC 38

SCH31

SMART IGNITION SWITCH (S.I.S.)



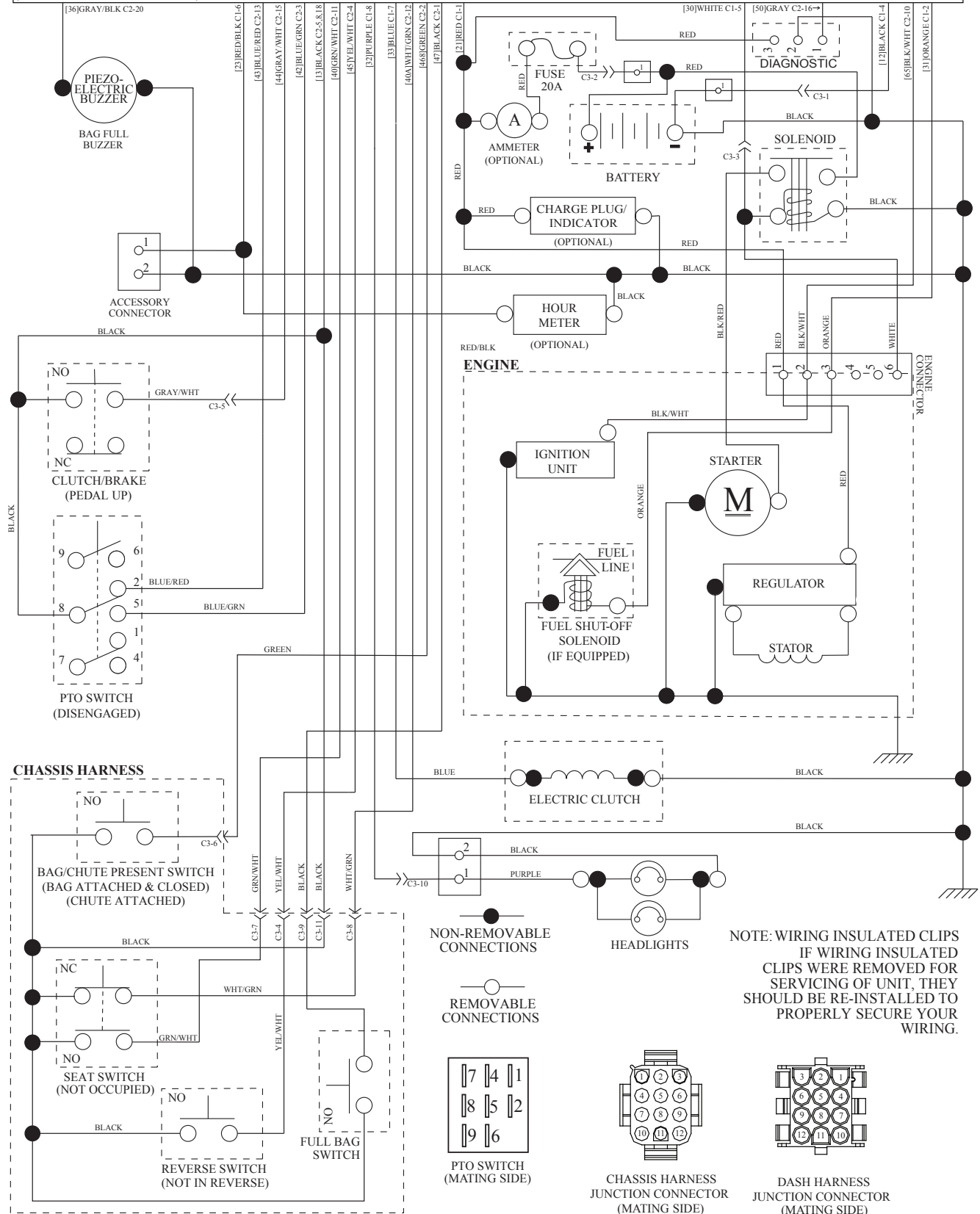
-DO NOT OPEN!
-PERMANENT DAMAGE CAN RESULT
IF PROPER DIAGNOSTIC PROCEDURES
ARE NOT FOLLOWED.
-CONTACT YOUR DEALER OR AUTHORIZED
SERVICE CENTER FOR REPAIR.



SENSITIVE ELECTRONIC
COMPONENTS INSIDE!

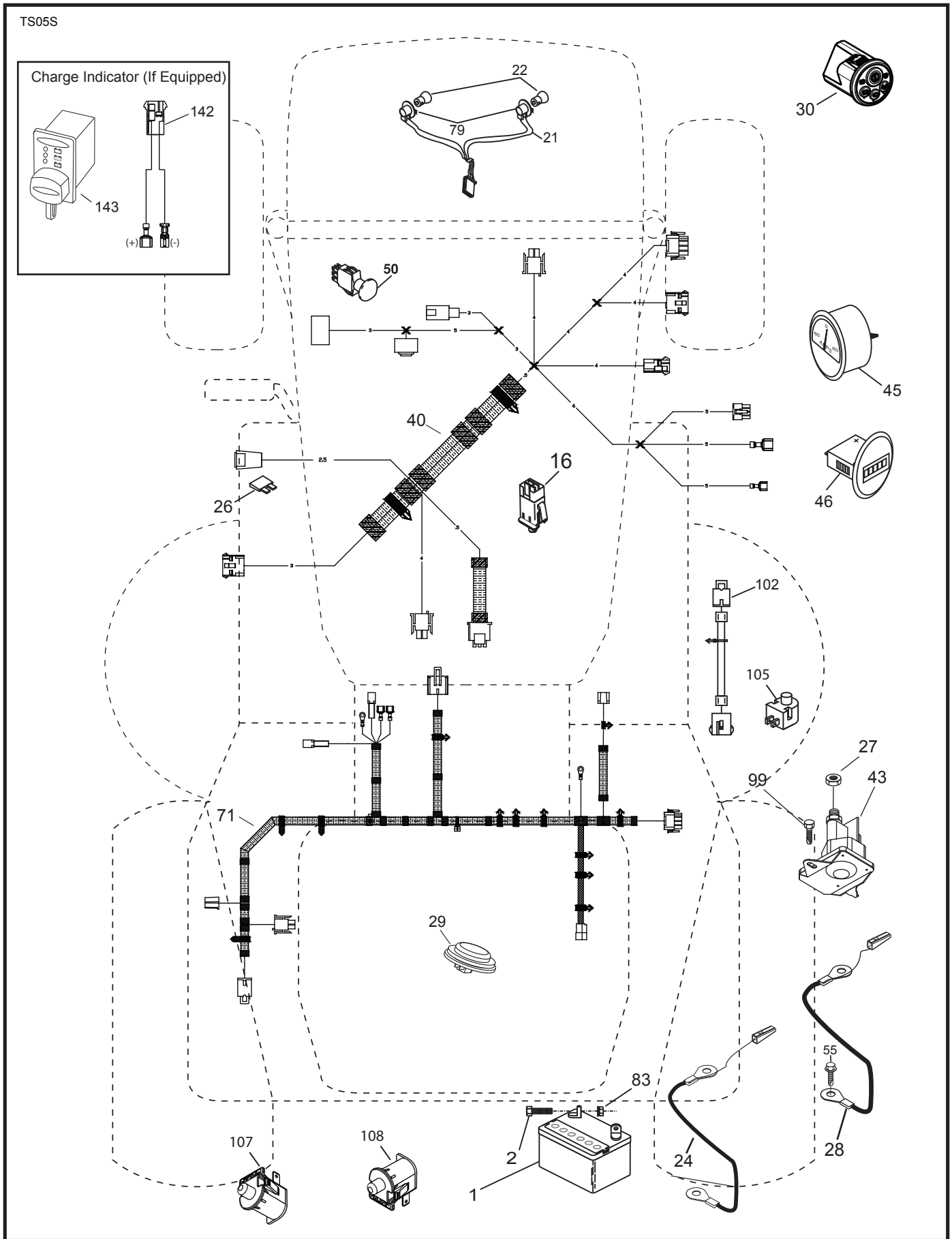


(COLOR: CONNECTOR NUMBER - PIN NUMBER)



TRACTOR - MODEL NO. CTH224TFI (96051008300), PRODUCT NO. 96051 00-83

ELECTRICAL 32

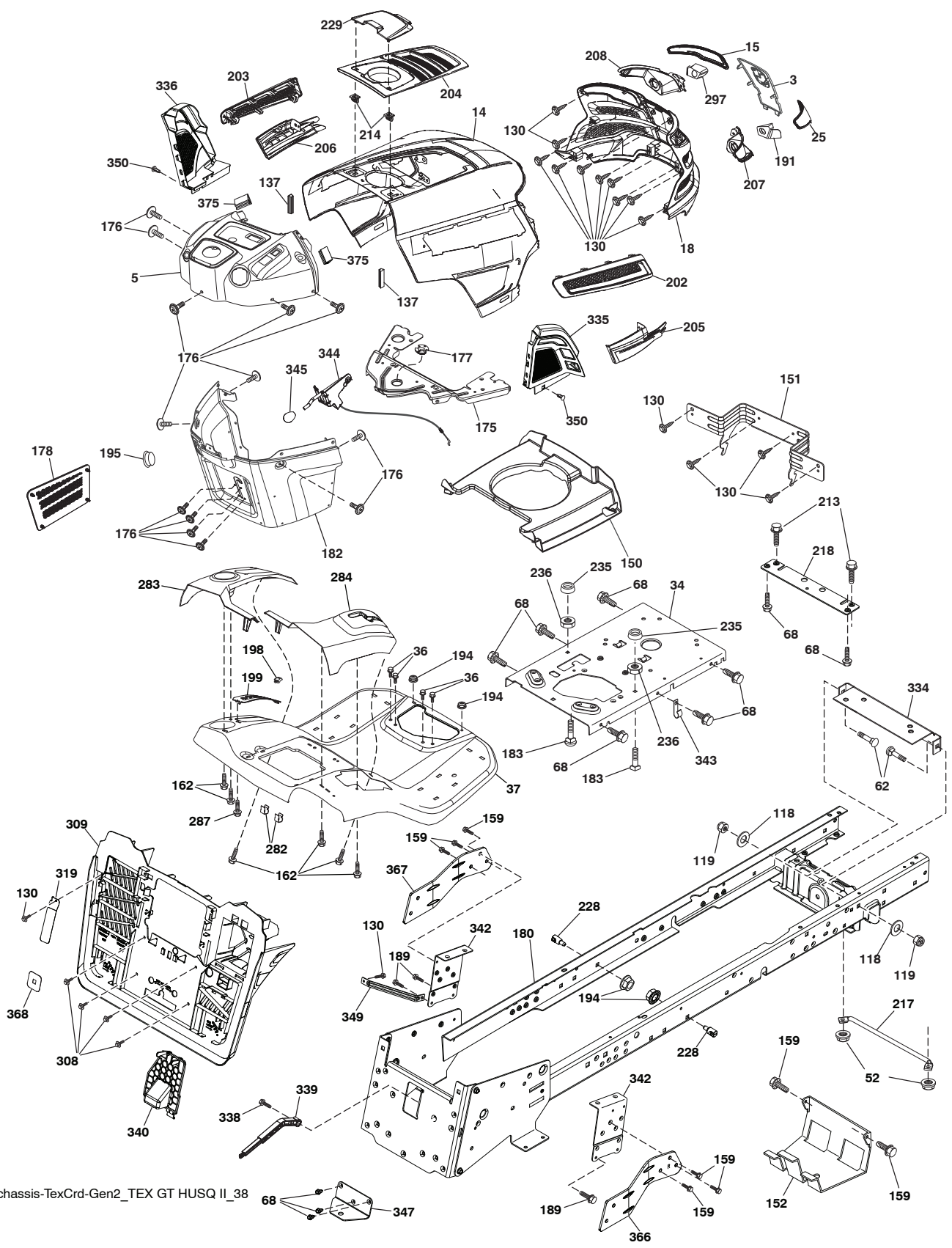


TRACTOR - MODEL NO. CTH224TFI (96051008300), PRODUCT NO. 96051 00-83
ELECTRICAL 32

KEY NO.	PART NO.	DESCRIPTION
1	532 43 71-57	Battery
2	532 44 09-23	Screw Hex Hd Cap M6 x 1.12MM
16	532 17 61-38	Switch Interlock Push-In
21	532 40 02-52	Harness Light w/4152J
22	532 00 41-52	Bulb Light
24	585 73 43-02	Cable Battery Positive
26	532 17 51-58	Fuse
27	873 51 04-00	Nut Keps Hex 1/4-20 unc
28	585 30 69-03	Cable, Ground
29	581 42 93-02	Switch, Seat
30	586 83 67-03	Switch, Ign Smart
40	585 21 65-02	Harness Ign. Dash/Lift
43	532 19 25-07	Solenoid
45	587 55 39-03	Ammeter Guage Round
46	587 55 40-03	Gauge Serviceminder Hrmtr
50	532 17 46-51	Switch PTO
55	817 06 05-12	Screw Thdrol 5/16-18 x 3/4 TYTT
71	585 21 66-01	Harness Ignition Chassis/Lift
79	532 17 52-42	Socket Asm. Bulb
83	532 43 67-74	Nut Square M6 x 1.8.5 x 11MM
99	817 72 04-08	Screw 1/4-20 x 1/2
102	532 44 12-62	Harness Jumper
105	532 40 75-68	Switch Reverse
107	532 18 03-79	Switch Full Bagger
108	532 42 10-62	Switch Snapmount
142	532 44 80-57	Harness Jumper CTEK

NOTE: All component dimensions given in U.S. inches
1 inch = 25.4 mm

TRACTOR - MODEL NO. CTH224TFI (96051008300), PRODUCT NO. 96051 00-83
CHASSIS AND ENCLOSURES **39**



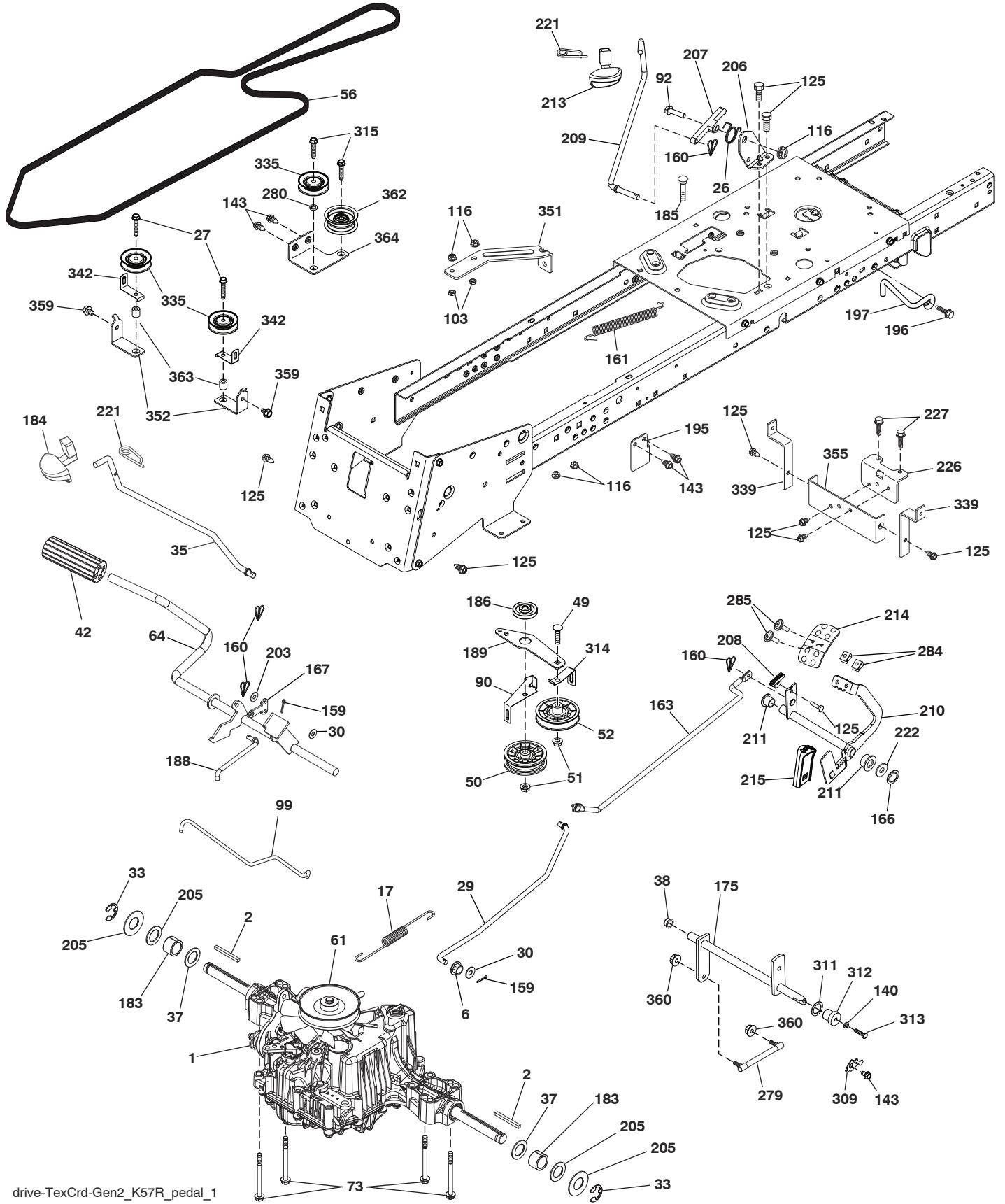
chassis-TeXCrd-Gen2_TEX GT HUSQ II_38

**TRACTOR - MODEL NO. CTH224TFI (96051008300), PRODUCT NO. 96051 00-83
CHASSIS AND ENCLOSURES 39**

KEY PART NO. NO.	DESCRIPTION	KEY PART NO. NO.	DESCRIPTION	
3	532 44 44-81	Applique	208 532 43 97-35	Bezel LH
5	581 67 42-02	Dash	213 874 76 05-12	Bolt 5/16-18 x 3/4
14	532 44 11-77	Hood	214 532 19 91-45	Clip Retainer Tinner
15	532 43 97-33	Lens LH	217 532 40 91-67	Rod Pivot
18	532 44 06-53	Grille	218 532 19 63-95	X-Piece Hood Stop
25	532 44 33-85	Lens RH	228 532 19 51-61	Stud Fastner
34	580 91 09-01	Plate Engine	229 532 44 14-63	Lid Ext
36	817 06 05-12	Screw 5/16-18 x 3/4	235 532 40 61-29	Spacer Fender
37	532 44 13-69	Fender	236 873 93 05-00	Nut Lock 5/16-18 unc
52	873 68 05-00	Nut Lock 5/16-18	282 532 41 41-10	Clip Retainer
62	872 11 06-08	Bolt RdHd Sqnk 3/8-16 x 1 Gr. 5	283 532 44 72-12	Console Deck Lift LH
68	817 49 05-08	Screw Thdrol 5/16-18 x 1/2	284 532 44 72-20	Console Shft RH
118	819 13 13-16	Washer 13/32 x 13/16 x 16 Ga.	287 817 60 04-06	Screw 1/4-20 x 3/8
119	873 68 06-00	Nut Crownlock 3/8-16 unc	297 532 43 74-56	Insert Reflective LH
130	532 41 63-58	Screw #10 x 0.750	308 532 17 18-77	Bolt 5/16-18 unc x 3/4
137	532 40 75-90	Bumper Dash	309 581 32 89-07	Backplate
150	532 43 97-74	Air Duct	319 581 31 39-06	Lever Bag
151	532 43 66-70	Bracket Pivot	334 532 44 25-37	Bracket Engine
152	532 43 98-70	Shield Browning	335 532 44 53-09	Cover RH Lower Close Out
159	817 00 06-12	Screw Hexwsh Thrd 3/8-16 x 3/4	336 532 44 82-04	Cover LH Lower Close Out
162	532 14 24-32	Screw	338 532 43 66-40	Bolt Shoulder
175	532 19 63-04	Crossmember	339 532 43 66-41	Lever Bagger Full
176	532 40 07-76	Screw 10-24 x 5/8	340 581 32 90-01	Door Battery
177	532 19 52-28	Bushing Steering	342 532 43 59-38	Supprt Fender
178	532 19 97-82	Cargo Asm. Net	343 532 44 07-49	Clip
180	583 90 27-01	Chassis	344 532 43 89-70	Control EZ Mulch
182	532 43 89-67	Dash Lower	345 532 44 06-39	Knob
183	874 52 05-20	Bolt 5/16-18 x 1-1/4	347 532 44 28-87	Hitch Tow
189	817 00 05-12	Screw 5/16-18 x 3/4	349 532 43 66-06	Bracket Support
191	532 43 74-55	Insert Reflective RH	350 532 44 51-43	Clip X-Mas Tree
194	873 90 05-00	Nut Lock Hex Flange 5/16-18	366 581 31 46-02	Bracket RH Front Bagger
195	532 40 41-37	Plug Hole Dash Lower	367 581 31 45-02	Bracket LH Front Bagger
198	532 44 15-52	Indicator Deck Lift	368 581 42 48-01	Full Lever Bagger
199	532 41 87-39	Plate Deck Lift	375 586 90 82-01	Dash Clip-On Bumper
202	532 43 97-28	Vent Side Hood RH	-- 586 29 76-01	Plug Switch
203	532 43 97-27	Vent Side Hood LH	-- 532 43 18-82	Kit Brush Guard
204	532 44 06-65	Vent Top Hood		
205	532 43 97-30	Skirt Hood Side RH		
206	532 43 97-29	Skirt Hood Side LH		
207	532 43 97-34	Bezel RH		

NOTE: All component dimensions given in U.S. inches
1 inch = 25.4 mm

TRACTOR - MODEL NO. CTH224TFI (96051008300), PRODUCT NO. 96051 00-83
DRIVE 40

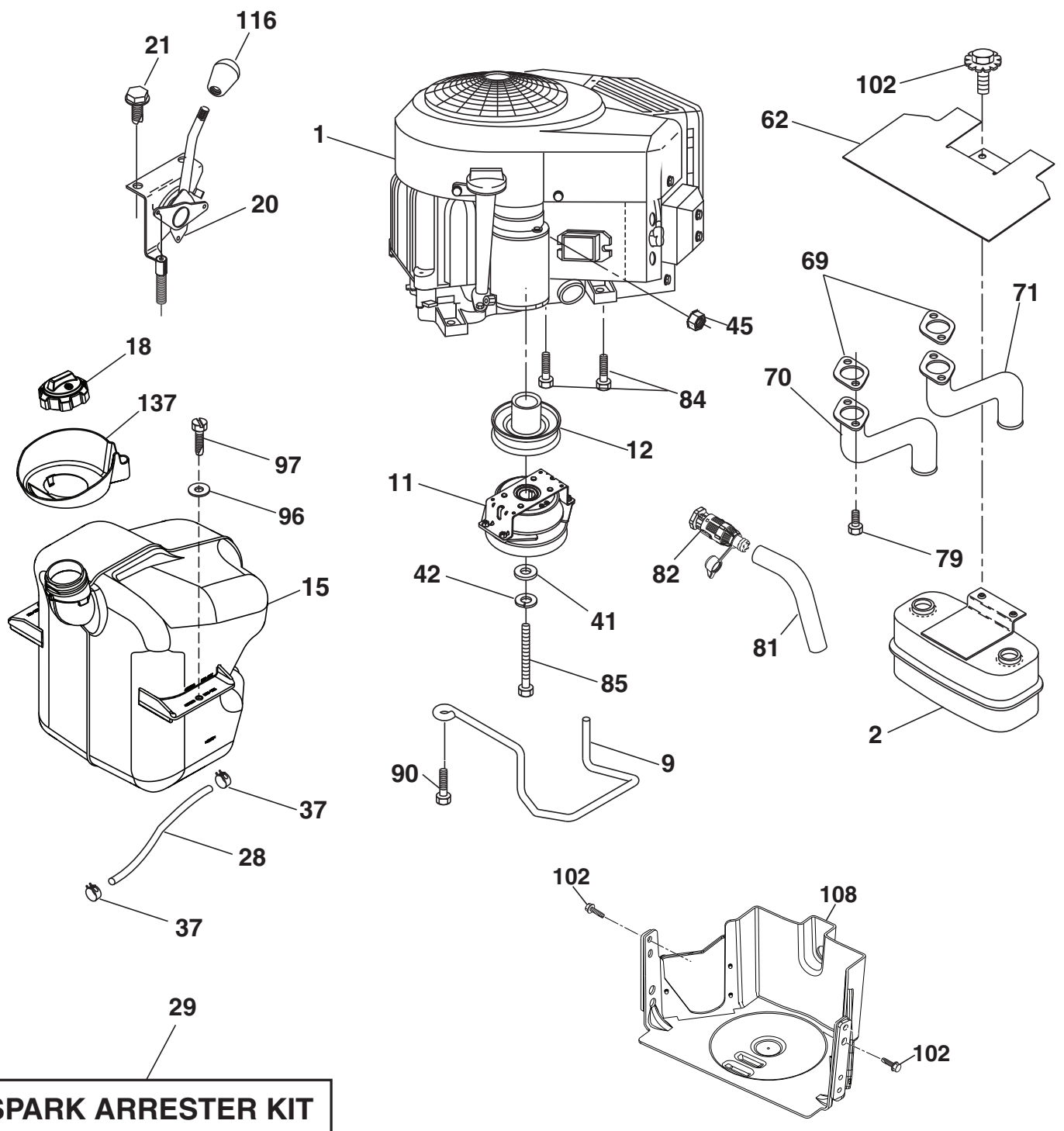


drive-TexCrd-Gen2_K57R_pedal_1

**TRACTOR - MODEL NO. CTH224TFI (96051008300), PRODUCT NO. 96051 00-83
DRIVE **40****

KEY NO.	PART NO.	DESCRIPTION	KEY NO.	PART NO.	DESCRIPTION
1	-----	Transaxle, TUFFTORQ K57R (586122001) (Order parts from transaxle manufacturer.)	196	817 00 06-16	Screw 3/8-16 x 1 Smgml Tap/R Blk
2	532 12 35-83	Key Square	197	585 65 86-01	Link Clutch Anti-Rotation
6	532 12 40-28	Bushing Snap	203	819 11 11-16	Washer 11/32 x 11/16 x 16 Ga.
17	532 43 62-27	Spring Brake K46	205	532 12 17-48	Washer 25/32 x 1-5/8 x 16 Ga.
26	532 19 96-79	Spring Return Cruise	206	532 44 85-96	Bracket Mount Latch Cruise
27	817 49 05-28	Screw Hexwsh Thd 5/16-18 x 1-3/4	207	532 19 78-68	Latch Control Cruise
29	532 44 27-95	Rod, Brake	208	532 19 78-69	Gear Sector Control Cruise
30	819 13 16-16	Washer	209	532 19 95-92	Rod Control Cruise
33	812 00 00-01	Ring E	210	532 40 09-80	Rocker Asm. Pedal Control
35	583 86 45-01	Rod, Brake, Park	211	532 12 01-83	Bearing Nylon
37	532 18 89-67	Washer Harden 793 x 1063 x 060	213	532 40 31-19	Knob Control Cruise
38	532 16 96-13	Nyliner Bushing	214	532 41 68-63	Pedal Forward
42	532 12 48-72	Cover, Foot Pedal	215	532 41 94-82	Pedal Reverse
49	872 11 06-14	Bolt Rdhd 3/8-16 unc x 3/4 Gr. 5	221	532 40 31-87	Retainer Spring Clip Handle
50	532 19 43-27	Idler Flat	222	879 21 20-10	Washer 21/32 x 1-1/4 10 Ga.
51	873 90 06-00	Lock Nut 3/8-16	226	532 40 15-64	Bracket Strap Torque
52	532 19 43-26	Idler V-Groove	227	817 49 05-12	Screw
56	532 44 27-81	V-Belt, Drive	279	532 44 42-83	Link Shift
61	532 44 51-51	Pulley Transaxle K46	280	819 11 10-12	Washer 11/32 x 5/8 x 12 Ga.
64	532 19 78-65	Shaft Asm. Pedal Brake Control	284	532 41 76-93	Nut
73	874 49 05-44	Bolt Flanged	285	874 18 04-12	Screw
90	532 44 36-05	Keeper Belt Clutching	309	532 16 55-81	Plate Fstnr Cross Shf
92	874 76 05-20	Bolt Fin Hex 5/16-18 unc x 1.25	311	532 16 98-45	Washer Nylon
99	532 44 39-47	Rod Spring Bypass	312	532 16 56-14	Hub Tapered
103	873 35 05-00	Nut Hex Jam 5/16-18	313	874 78 04-16	Bolt Hex Fin 1/4-20 unc x 1 Gd5
116	873 90 05-00	Nut Lock Hex Flange 5/16-18	314	532 44 47-13	Keeper Belt
125	817 00 05-12	Screw 5/16-18 x 3/4	315	817 58 05-20	Screw Thdrol 5/16-18 x 4.25
140	810 04 04-00	Washer Lock Hvy Helical 1/4	335	532 19 95-34	Pulley V-Idler
143	817 49 05-08	Screw 5/16-18 x 1/2	339	532 43 68-67	Strap Torque K46 CRD Tex
159	876 02 04-12	Pin Cotter 1/8 x 3/4	342	532 18 26-82	Keeper Belt 2.5" STL V-Idlr CRD
160	532 16 94-84	Retainer Clip	351	532 43 69-98	Bracket 97 CRD Deck Sway
161	532 10 57-09	Spring, Return, Clutch	352	532 43 56-45	Bracket Idler CRD Tex
163	532 44 27-93	Rod Control	355	532 43 56-69	Bracket
166	532 42 91-64	Nut Push	359	817 49 06-10	Screw Thdrol 3/8-16 x 5/8
167	532 40 52-57	Latch Brake Parking	360	532 44 47-14	Nut 5/16-24 UNF
175	532 42 93-59	Shaft Asm Crossshift Rear Crd	362	532 43 68-12	Idler Flat
183	532 13 70-57	Spacer Axle	363	532 44 27-80	Spacer 343 x 63 x .62
184	532 44 14-55	Handle Parking Brake	364	532 44 30-32	Bracket Idler CRD Tex
185	872 11 06-22	Bolt 3/8-16 unc x 2-3/4 G5			
186	532 19 43-21	Spacer Retainer			
188	532 19 43-23	Link Clutch			
189	532 43 36-11	Bellcrank Ground Drive			
195	580 45 69-01	Bracket Rod Brake CRD Tex			

NOTE: All component dimensions given in U.S. inches
1 inch = 25.4 mm



SPARK ARRESTER KIT

engine-tex_bs-2cyl_123_r1

**TRACTOR - MODEL NO. CTH224TFI (96051008300), PRODUCT NO. 96051 00-83
ENGINE 24**

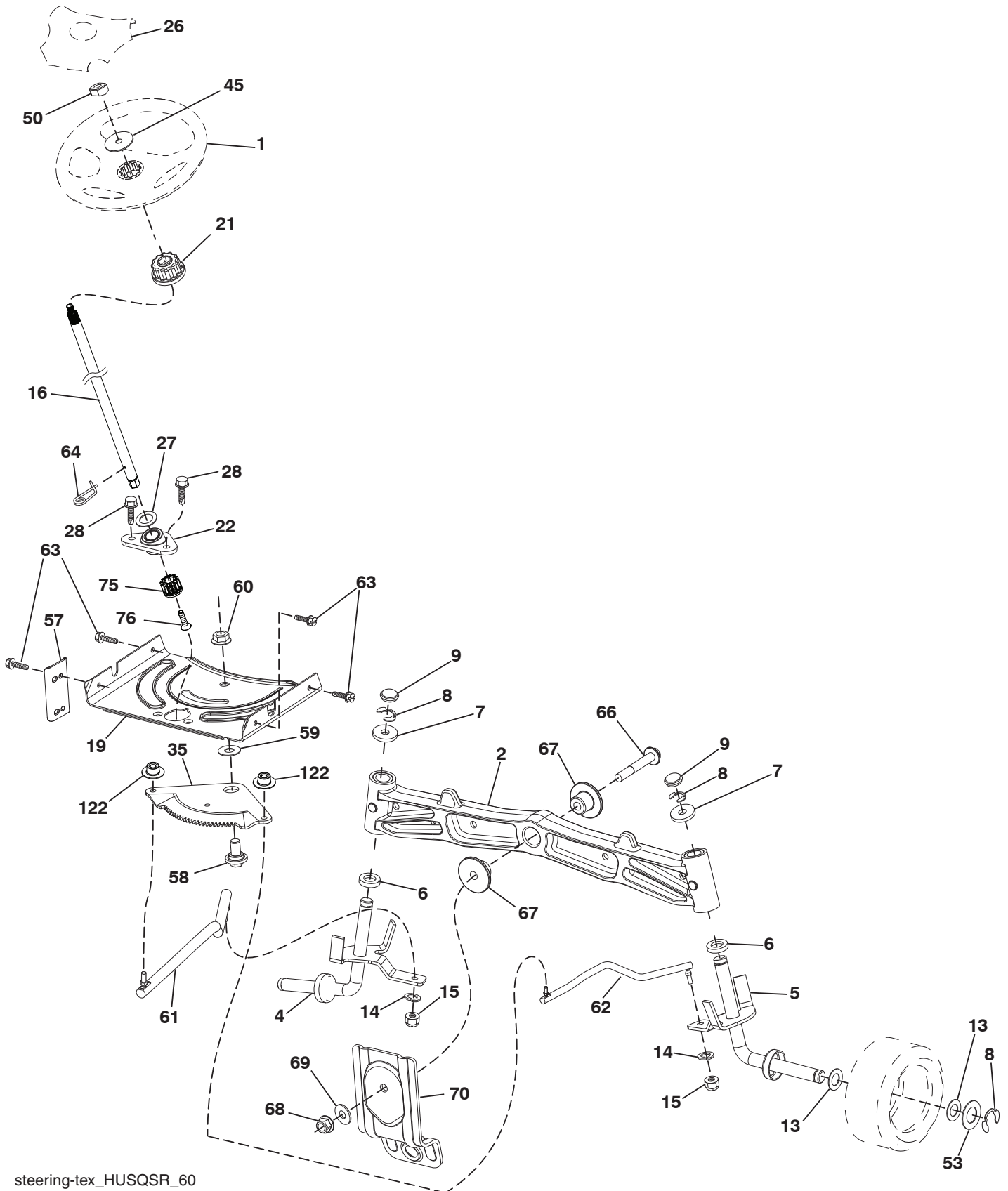
KEY NO.	PART NO.	DESCRIPTION
1	-----	Engine B&S Model No. 40R877-0005-B1 (585700601) (Order parts from engine manufacturer.)
2	532 44 59-62	Muffler
9	584 90 80-01	Keeper Belt Engine
11	587 24 16-01	Clutch Electric
12	532 40 50-97	Pulley Engine
15	532 43 58-16	Tank Fuel
18	532 44 14-62	Fuel Cap
20	532 42 43-40	Control Throttle
21	532 41 63-58	Screw # 10 x 0.750
28	532 13 70-40	Fuel Line
29	532 13 71-80	Spark Arrester Kit
37	532 12 34-87	Clamp Hose
41	532 12 61-97	Washer 1-1/2 OD x 15/32 ID x .250
42	810 04 07-00	Washer Lock 7/16
45	873 51 04-00	Nut Keps Hex 1/4-20 unc
62	532 43 40-17	Shield Heat Muffler
69	532 16 53-91	Gasket
70	581 88 11-01	Tube Exhaust LH
71	581 88 10-01	Tube Exhaust RH
79	532 18 39-06	Screw Socket
81	532 14 84-56	Tube Drain Oil Easy
82	532 42 82-87	Valve Oil Drain
84	817 06 06-20	Screw
85	532 17 99-53	Bolt Hex 7/16-20 x 3.75
90	817 00 06-16	Screw 3/8-16 x 1
96	819 09 14-16	Washer 9/32 x 7/8 x 16 Ga.
97	817 67 04-12	Screw 1/4-20 x 3/4
102	817 00 05-12	Screw 5/16-18 x 3/4
108	532 42 30-41	Cover Pulley Engine
116	539 13 26-24	Knob Shift
137	532 44 14-61	Spill Cup

NOTE: All component dimensions given in U.S. inches
1 inch = 25.4 mm

Engine Power Rating Information

The gross power rating for individual gas engine models is labeled in accordance with SAE (Society of Automotive Engineers) code J1940 (Small Engine Power & Torque Rating Procedure), and rating performance has been obtained and corrected in accordance with SAE J1995 (Revision 2002-05). Torque values are derived at 3060 RPM; horsepower values are derived at 3600 RPM. Actual gross engine power will be lower and is affected by, among other things, ambient operating conditions and engine-to-engine variability. Given both the wide array of products on which engines are placed and the variety of environmental issues applicable to operating the equipment, the gas engine will not develop the rated gross power when used in a given piece of power equipment (actual "on-site" or net power). This difference is due to a variety of factors including, but not limited to, accessories (air cleaner, exhaust, charging, cooling, carburetor, fuel pump, etc.), application limitations, ambient operating conditions (temperature, humidity, altitude), and engine-to-engine variability. Due to manufacturing and capacity limitations, Briggs & Stratton may substitute an engine of higher rated power for this Series engine.

TRACTOR - MODEL NO. CTH224TFI (96051008300), PRODUCT NO. 96051 00-83
STEERING ASSEMBLY 41



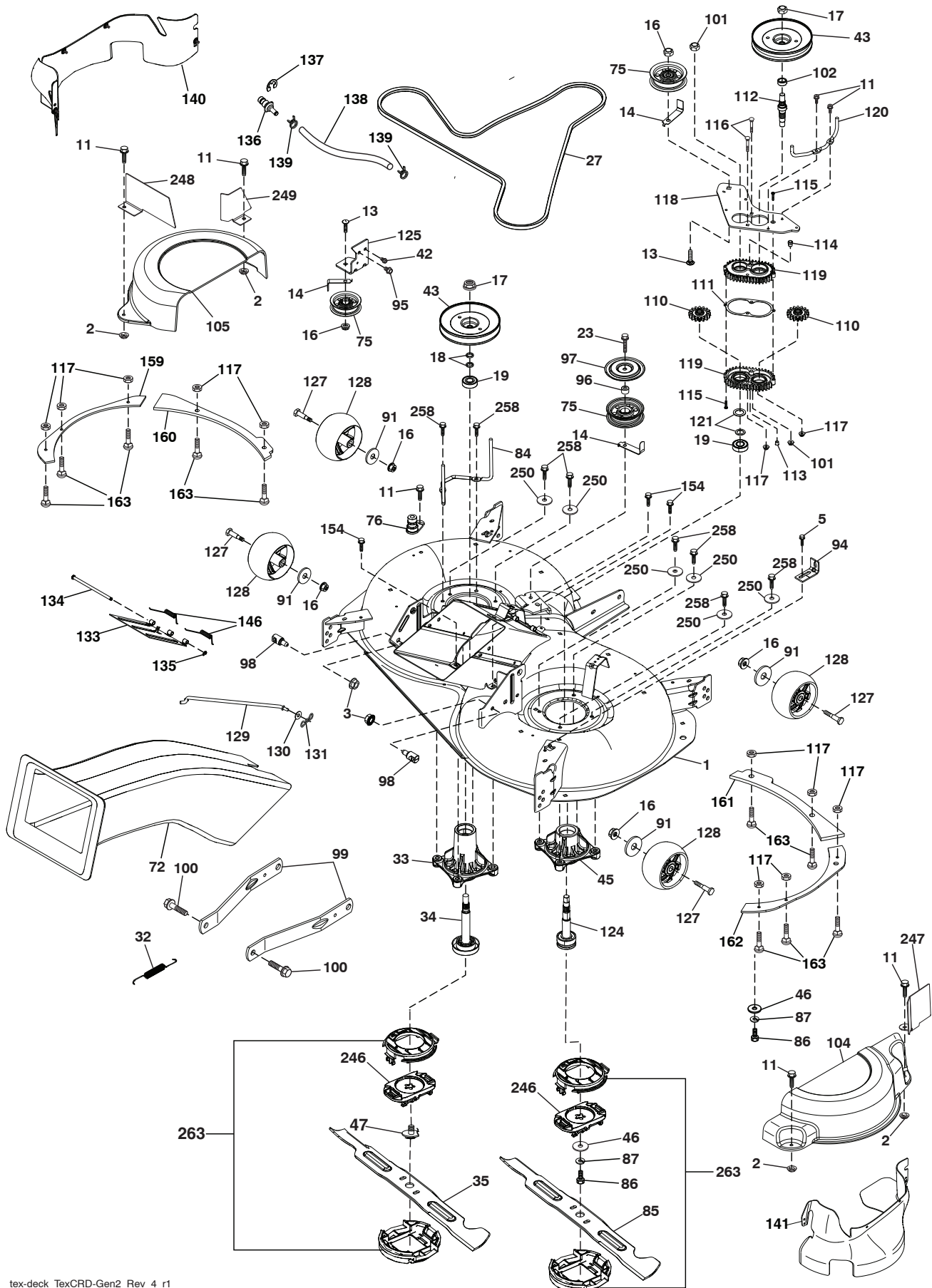
steering-tex_HUSQSR_60

TRACTOR - MODEL NO. CTH224TFI (96051008300), PRODUCT NO. 96051 00-83
STEERING ASSEMBLY 41

KEY NO.	PART NO.	DESCRIPTION
1	532 43 97-40	Wheel, Steering
2	532 19 59-68	Axle Asm., Front
4	532 40 30-87	Spindle Asm., LH
5	532 40 30-88	Spindle Asm., RH
6	532 12 49-31	Bearing, Race Thrust Harden
7	532 12 17-48	Washer 25/32 x 1-5/8 x 16 Ga.
8	812 00 00-29	Ring, Clip #T5304-75
9	532 12 12-32	Cap, Spindle
13	532 12 17-49	Washer 25/32 x 1-1/4 x 16 Ga.
14	810 04 06-00	Washer, Lock Hvy Hlcl Spr 3/8
15	873 54 06-00	Nut, Crown Lock 3/8-24 unf
16	587 01 60-02	Shaft Steering
19	532 19 47-29	Plate Steering
21	586 84 02-01	Adapter Wheel Steering
22	585 02 98-02	Bearing
26	532 43 97-43	Insert, Wheel Steering
27	819 21 16-16	Washer
28	817 00 06-12	Screw 3/8-16 x 3/4
35	532 19 47-32	Gear, Sector Plate
45	587 01 64-01	Washer 3/8 ID 2-3/8 OD 12 Ga. PLTD
50	873 90 06-00	Nut Lock Flg 3/8-16 unc
53	532 18 89-67	Washer Hardened .793 x 1.637 x .060
57	532 40 74-65	Bracket Upstop
58	532 19 47-47	Bolt Shoulder Sector Pivot CFM
59	532 19 47-48	Washer Thrust Sector Steering
60	873 97 10-00	Nut Flange Lock 5/8-11
61	532 19 47-40	Draglink, LH
62	532 19 47-41	Draglink, RH
63	817 00 05-12	Screw 5/16-18 x 3/4
64	532 19 98-49	Retainer Clip Spring Steering
66	871 02 07-48	Bolt Hex Fghd 7/16-14 x 3 Serr
67	532 19 47-37	Bushing PM Front Axle
68	873 90 07-00	Nut Lock Flange 7/16-14 Gr. 5
69	532 19 91-62	Washer 1.5 x .505 x .118
70	532 19 61-97	Bracket Deck Susp. Front
75	580 68 37-02	Pinion
76	580 68 36-01	Screw Head Sock
122	532 44 49-62	Cap Gear Sector

NOTE: All component dimensions given in U.S. inches
1 inch = 25.4 mm

TRACTOR-MODEL NO. CTH224TFI (96051008300), PRODUCT NO. 96051 00-83
MOWER DECK 44



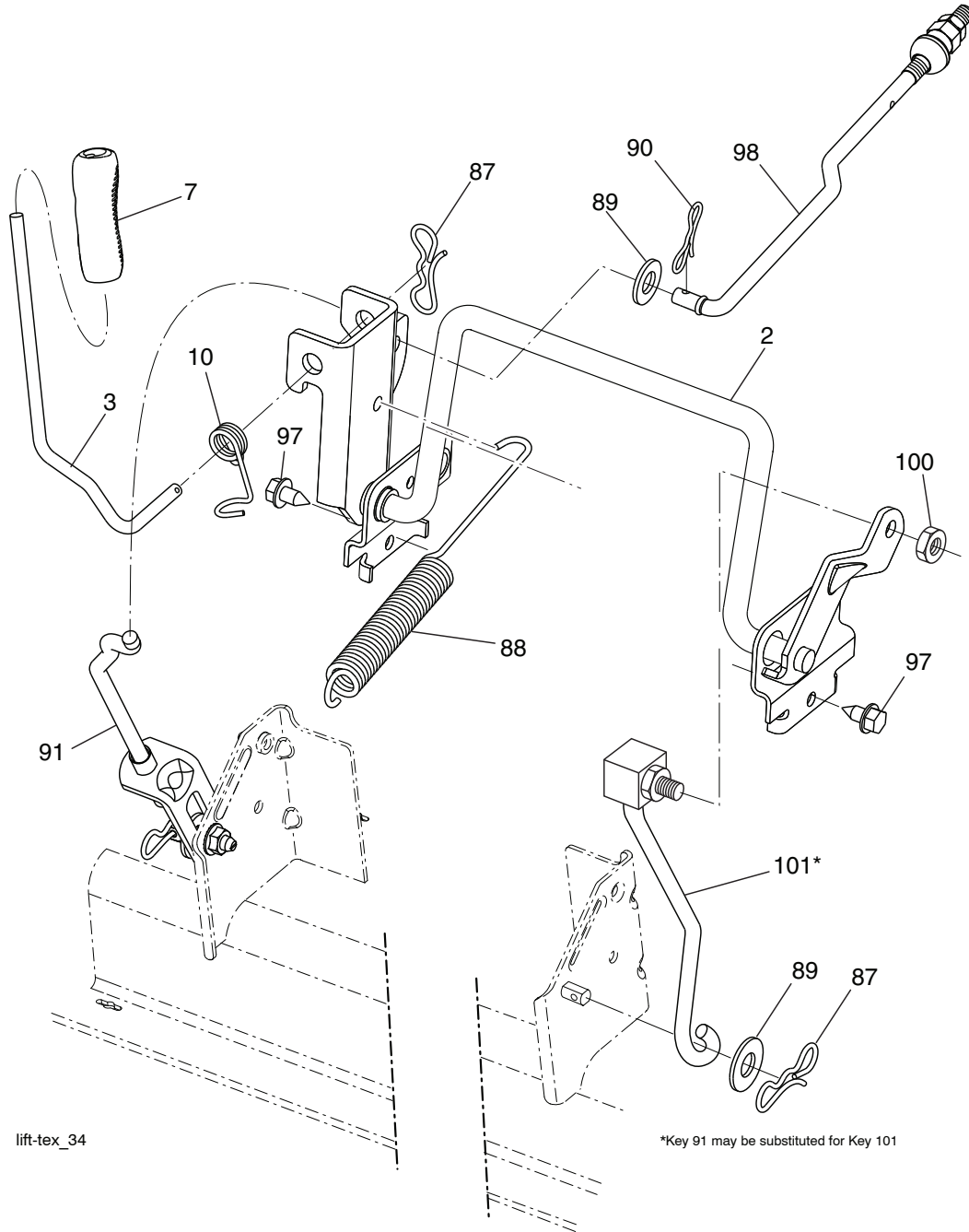
tex-deck_TexCRD-Gen2_Rev_4_r1

TRACTOR - MODEL NO. CTH224TFI (96051008300), PRODUCT NO. 96051 00-83
MOWER DECK 44

KEY NO.	PART NO.	DESCRIPTION	KEY NO.	PART NO.	DESCRIPTION
1	580 97 33-01	Deck Weldment	124	581 65 07-01	Non Greasable Mandrel Shaft
2	532 42 30-62	Palnut 1/4	125	532 43 69-94	Bracket Idler Chassis
3	873 90 05-00	Nut Lock Hex Flange 5/16 - 18	127	532 19 34-06	Bolt Shoulder 3/8-16 x 3-5/8 Gr. 5
5	817 00 05-10	Bolt 5/16-18	128	532 17 48-73	Wheel Gauge
11	532 13 77-29	Screw Thd Roll 1/4 - 20 X 5/8	129	532 44 32-37	Rod Anti-Sway
13	872 11 06-12	Bolt Carr Sh 3/8 - 16 X 1 - 1/2 Gr. 5	130	819 13 13-12	Washer 13/32 x 13/16 x 12 Ga.
14	532 15 60-85	Keeper Belt Idler	131	532 19 42-08	Pin Cotter 5/16 Bow Tie Lock
16	873 90 06-00	Nut Lock FIG 3/8 - 16 unc	133	532 43 81-97	EZ Mulch Door
17	532 40 02-34	Nut Flange Lock Top	134	532 43 58-61	Pin Hinge
18	532 18 76-90	Washer Spacer Mandrel	135	532 43 79-88	E-Ring 5/16
19	532 11 04-85	Bearing Ball Mandrel	136	532 43 96-39	Washout Port Remote Hookup
23	817 49 06-28	Screw Thdrol 3/8 - 16 X 1-3/4	137	812 00 00-29	Ring Klip
27	532 44 58-87	V-Belt Drive	138	532 44 76-67	Hose Washout Port
32	532 44 62-05	Spring Return Deck	139	532 44 07-42	Hose 3/8 Clamp
33	580 79 61-01	Mandrel Asm. Tall	140	580 36 99-01	Guard Asm. LH
34	580 85 47-01	Shaft Asm Mndrl N/Greaseable38	141	532 44 77-03	Guard Asm. LH
35	581 12 11-01	Blade Mower LH	146	532 44 58-96	Spring Tex CRD EZ Mulch
42	817 00 05-12	Screw 5/16-18 x 3/4	154	532 19 98-55	Screw 1/4-20 Panhead
43	532 44 32-39	Pulley Mandrel	159	585 30 94-05	Plate LH Side
45	581 65 08-01	Mandrel Asm. Short	160	585 30 95-05	Plate LH Front
46	585 72 99-01	Flat Washer 3/8	161	585 31 60-05	Plate RH Front
47	584 30 93-01	Screw SEMS 7/16-20 x 1	162	585 31 61-05	Plate RH Side
72	581 45 41-02	Chute Upper	163	872 11 04-06	Bolt 5/16-18 unc x 5/8
75	532 13 14-94	Pulley Idler Flat	246	580 95 40-03	Blade Holder Revolution
76	532 43 96-40	Washout Port	247	581 26 34-02	Guard Steel Mandrel Front Cover
84	532 44 32-35	Keeper Belt Mandrel	248	581 26 36-02	LH Rear Steel Guard
85	581 12 12-01	Blade Mower RH	249	581 26 35-02	LH Front Steel Guard
86	532 18 17-13	Bolt 3/8-24 x 1.50 Gr.8	250	819 11 12-12	Washer 11/32 x 3/4 x 12 Ga.
87	810 03 06-00	Washer Lock Hvy 3/8	258	584 95 39-01	Bolt Hex Wsh Hd .316-18 x 1.19
91	819 13 20-12	Washer 13/32 x 1-1/4 x 12 Ga.	263	586 63 85-01	Upper/Lower Cap Asm.
94	532 19 72-50	Bracket Clutch Cable	--	580 85 60-01	Mandrel Assembly Tall (Includes Housing (key #33), Shaft Assembly (key #34), And Bearing Only (key #19) - Pulley/Nut/Washer And Blade Bolt/Washers Not Included)
95	817 00 06-12	Screw 3/8-16 x 3/4			
96	532 40 02-71	Spacer			
97	532 18 20-61	Shield Idler Mower			
98	532 19 51-61	Stud Fastener			
99	532 19 51-86	Arm Suspension Mower Rear			
100	532 19 65-39	Bolt Shoulder	--	581 65 05-01	Mandrel Assembly Short (Includes Housing (key #45), Shaft Assembly (key #124), And Bearing Only (key #19) - Pulley/Nut/Washer And Blade Bolt/Washers Not Included)
101	873 68 09-00	Nut Crownlock 9/16 - 18 unc			
102	532 40 25-11	Spacer Bearing Swing Plate			
104	581 71 40-01	Mandrel Cover RH			
105	532 44 47-55	Mandrel Cover LH			
110	587 93 48-01	Gear Output	--	586 21 39-01	Replacement Mower Complete
111	532 43 69-79	Gasket Gearcase			
112	532 44 38-52	Shaft Gearcase			
113	532 43 85-33	Plug Oil			
114	532 43 85-34	Valve Relief			
115	818 03 10-16	Screw Torx #10-24 x 1			
116	872 11 04-14	Bolt 1/4-20 x 1.75 Gr. 5			
117	873 90 04-00	Nut Hex Flange 1/4-20 unc			
118	532 44 32-32	Arm Clutching			
119	532 43 81-66	Gearcase Subasm			
120	532 44 32-36	Keeper Belt RH			
121	532 43 69-85	Washer			

NOTE: All component dimensions given in U.S. inches
1 inch = 25.4 mm

TRACTOR - MODEL NO. CTH224TFI (96051008300), PRODUCT NO. 96051 00-83
MOWER LIFT 45

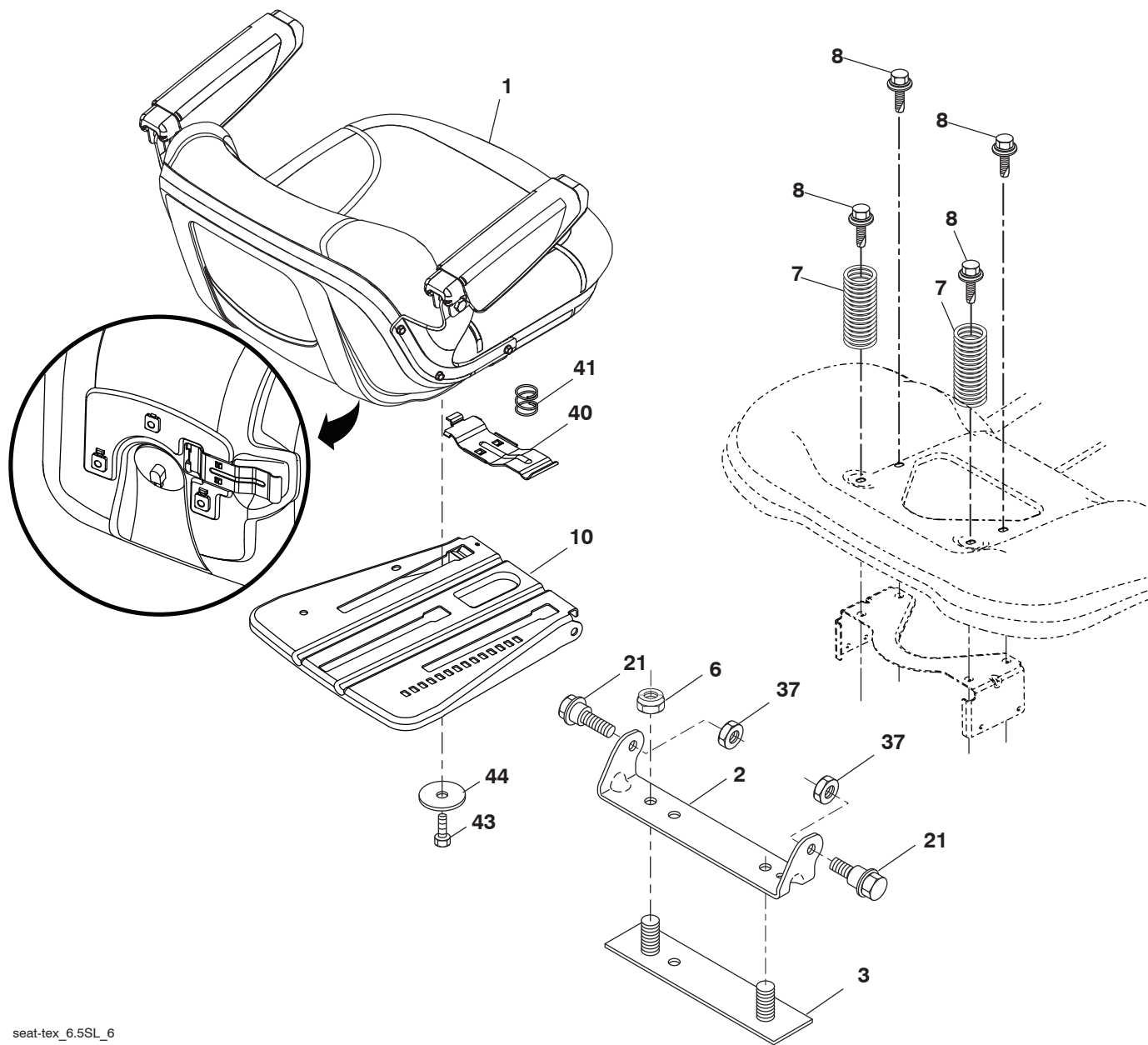


KEY NO.	PART NO.	DESCRIPTION
2	532 43 69-96	Deck Lift Weldment
3	532 19 52-31	Lever Asm., Lift RH
7	580 96 23-01	Grip, Lever
10	532 19 63-14	Spring Torsion
87	532 19 42-09	Pin Cotter 7/16 Bow Tie Lock
88	532 44 54-96	Spring Lift Assist
89	819 19 19-12	Washer Clear Zinc
90	532 19 42-08	Pin Cotter 5/16 Bow Tie Lock
91	532 19 51-81	Link Lift Susp Mower Rear

KEY NO.	PART NO.	DESCRIPTION
97	817 49 06-08	Screw 3/8-16 x 1/2
98	532 19 52-70	Link Lift Susp. Front Mower
100	873 93 06-00	Nut Center Lock 3/8-16 unc
101	532 40 70-03	Link Asm Lift Fixed

NOTE: All component dimensions given in U.S. inches
 1 inch = 25.4 mm

**TRACTOR - MODEL NO. CTH224TFI (96051008300), PRODUCT NO. 96051 00-83
SEAT ASSEMBLY 42**



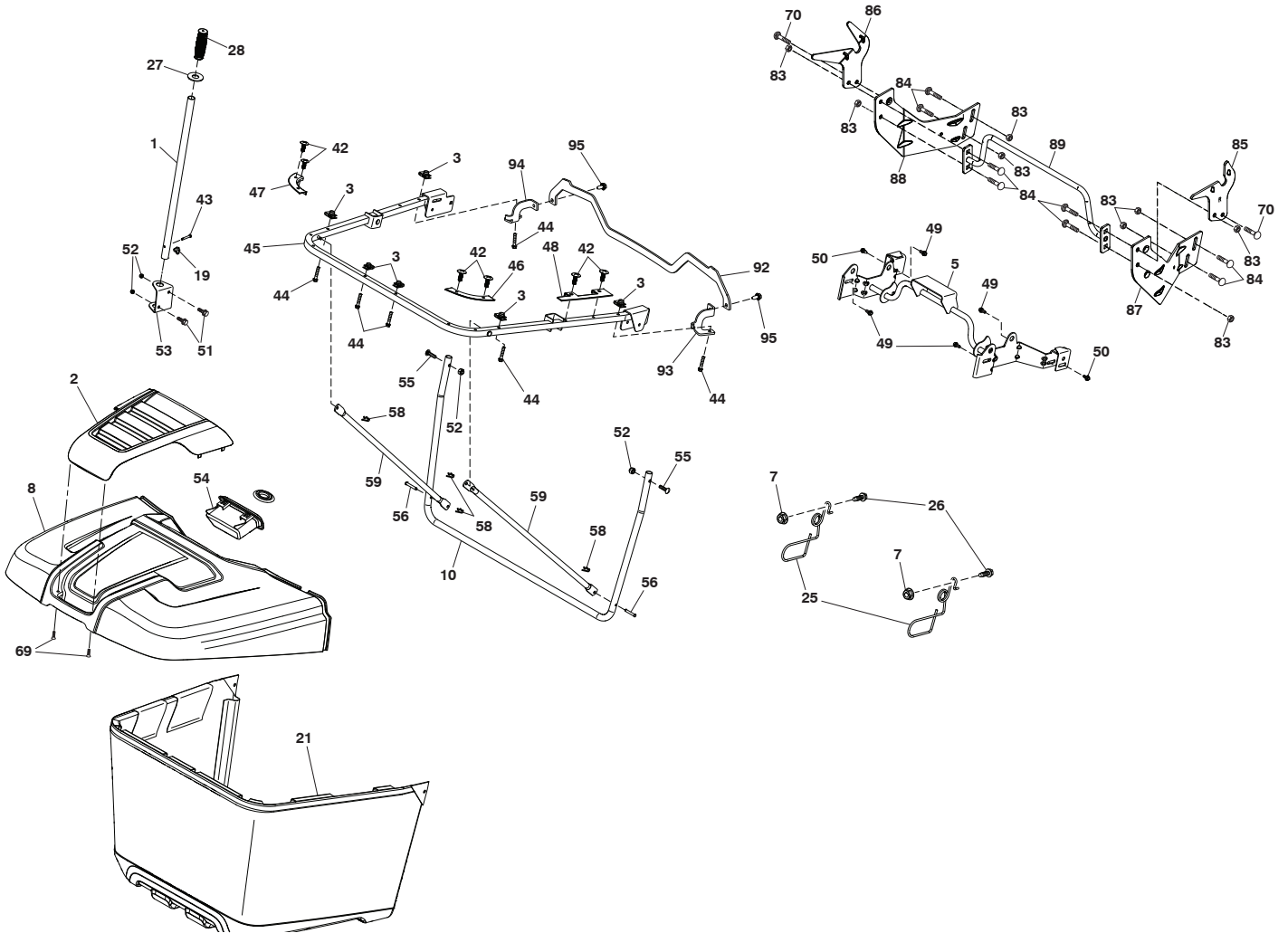
seat-tex_6.5SL_6

KEY NO.	PART NO.	DESCRIPTION
1	532 44 32-63	Seat
2	532 18 01-66	Bracket Pivot Fender
3	532 14 06-75	Strap, Asm Fender
6	873 80 06-00	Nut, Lock W/Ins. 3/8-16 unc
7	532 12 41-81	Spring, Seat Cprsn
8	532 17 18-77	Bolt 5/16-18 unc x 3/4 w/Sems
10	532 19 69-77	Pan, Seat
21	532 17 18-52	Bolt, Shoulder 5/16-18

KEY NO.	PART NO.	DESCRIPTION
37	873 80 05-00	Nut, Lock 5/16-18 unc
40	532 19 76-61	Handle Slide Seat
41	532 19 82-00	Spring Latch Seat
43	874 76 06-12	Bolt Fin Hex 3/8-16 unc x 3/4
44	819 13 38-12	Washer 13/32 x 2-3/8 x 12 Ga.

NOTE: All component dimensions given in U.S. inches
1 inch = 25.4 mm

TRACTOR - MODEL NO. CTH224TFI (96051008300), PRODUCT NO. 96051 00-83
BAGGER **46**



**TRACTOR - MODEL NO. CTH224TFI (96051008300), PRODUCT NO. 96051 00-83
BAGGER 46**

KEY NO.	PART NO.	DESCRIPTION
1	532 42 86-10	Tube Handle Bagger
2	532 44 75-72	Applique
3	532 17 48-14	Clip
5	532 44 37-62	Upper Pivot Tube
7	873 90 04-00	Nut Hex Flange 1/4-20 unc
8	532 44 75-75	Bagger Top
10	532 44 37-55	Frame Front
19	532 19 42-08	Cotter Pin 5/16 Bow Tie
21	532 44 59-43	Bag Assembly
25	532 44 55-28	Spring Latch Bagger
26	817 49 04-12	Screw Hex Thdrol 1/4-20 x 3/4
27	532 44 55-29	Grommet Rubber
28	532 16 57-87	Grip Handle
42	532 44 04-28	Clip
43	532 12 68-75	Clevis Pin
44	532 19 96-87	Bolt 1/4-20
45	532 44 37-54	Upper Frame
46	532 44 55-41	Bag Corner Close Out RH
47	532 44 40-79	Bag Corner Close Out LH
48	532 44 40-80	Top Bagger Side Close Out
49	532 17 18-73	Bolt Shoulder 5/16-18
50	532 17 18-77	Bolt 5/16-18 x 3/4 W/Sems
51	872 11 05-06	Bolt 5/16 x 18 x 3/4
52	873 80 05-00	Nut Lock Hex W/Ins 5/16-18 unc
53	532 44 41-95	Bracket Dump Handle
54	532 44 72-18	Bagger Top Front Handle
55	872 14 05-12	Bolt 5/16-18 x 1-1/2
56	532 42 03-06	Pin Clevis .183 x 1.26
58	532 08 51-79	Clip Retainer
59	532 44 47-63	Bagger Sprd Tube
69	532 42 18-01	Screw #8 Flat Head Drill
70	817 00 06-12	Screw 3/8-16 x 3/4
83	873 80 06-00	Nut Lock Hex w/Ins. 3/8-16 unc
84	872 11 06-08	Bolt 3/8-16 x 1 Gr. 5
85	581 31 44-02	Bracket RH Pivot
86	581 31 43-02	Bracket LH Pivot
87	581 31 48-02	Bracket RH
88	581 31 47-02	Bracket LH
89	581 31 51-04	Weldment Offset Strut
92	586 05 23-02	Bracket Top Support
93	586 05 24-02	Bracket Support RH
94	586 05 25-02	Bracket Support LH
95	817 00 05-12	Screw 5/16-18 x 3/4

NOTE: All component dimensions given in U.S. inches
1 inch = 25.4 mm

