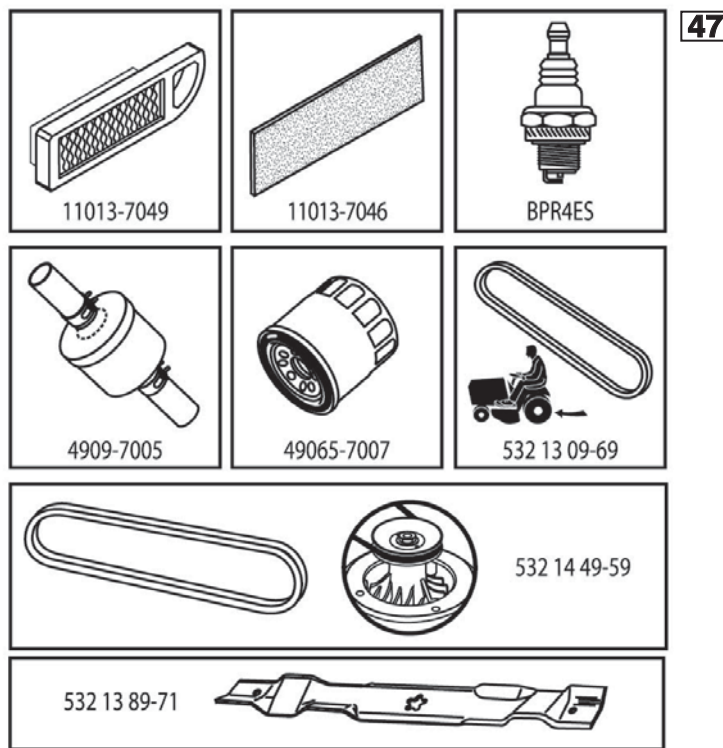


# ILLUSTRATED PARTS LIST

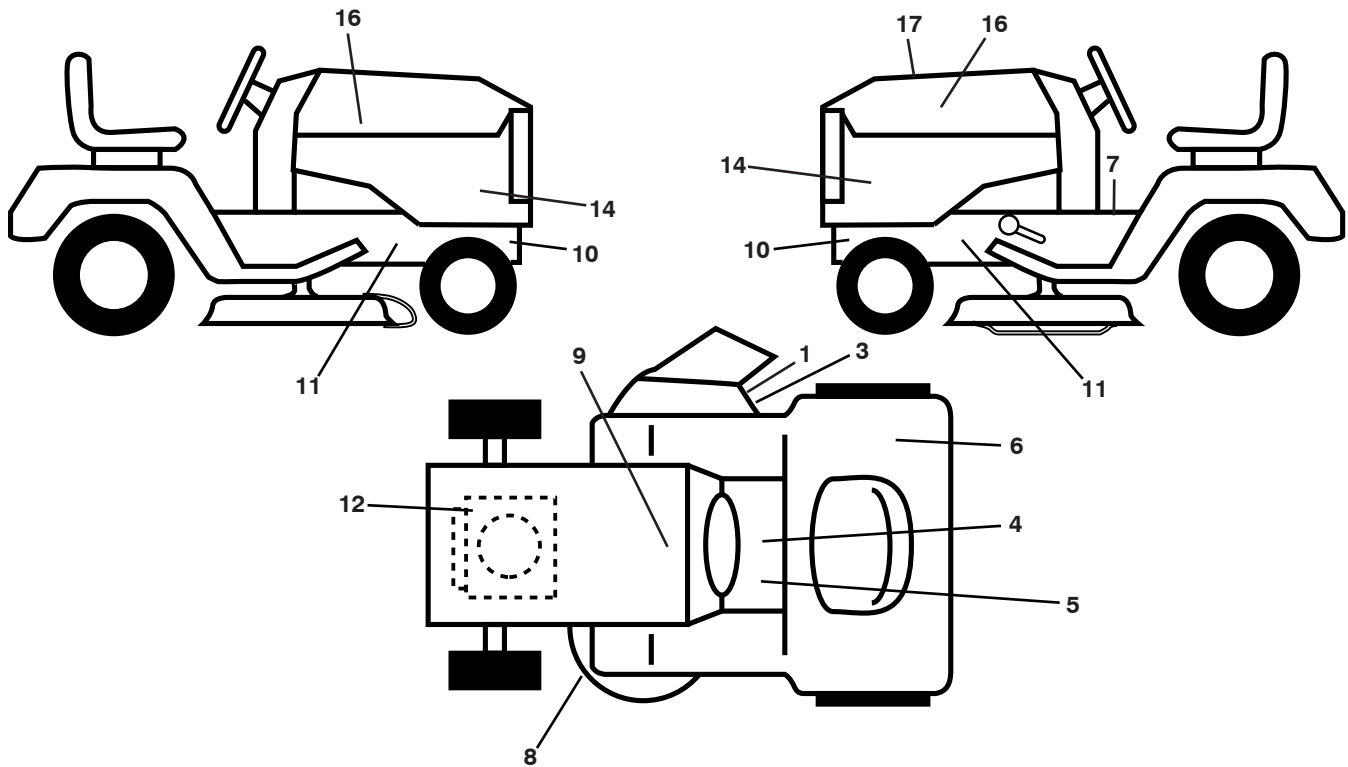
**MFG. ID NO. 96041030700**

**CUSTOMER CATALOG NO. YTH184T**

**PRODUCT NO. 960 41 03-07**



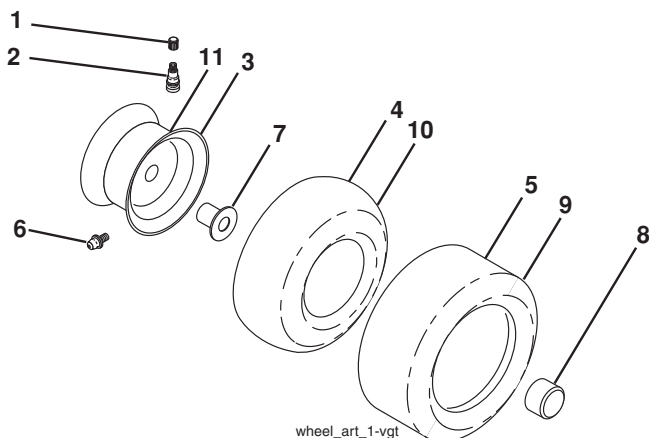
581517301



KEY NO.	PART NO.	DESCRIPTION
1	532 18 21-66	Decal, Cutfinger Warning
3	532 19 63-57	Decal, Warning Symbol
4	532 14 08-37	Decal, Brake Parking
5	532 40 03-89	Decal, Warning Symbol CE
6	532 18 04-32	Decal, Fender DB/CE
7	532 15 97-37	Decal, Brake/Clutch Symbol
8	532 16 03-96	Decal, Mower Sch.
9	532 14 50-05	Decal, Battery Dnge/Poi
10	532 15 97-36	Decal, Hot Muffler
11	532 40 11-46	Decal, Warning

KEY NO.	PART NO.	DESCRIPTION
12	532 19 68-41	Decal, Warning Eng. Symbol
14	532 44 74-37	Decal, Panel Side
16	581 62 73-01	Emblem
17	581 51 73-01	Decal, Replacement
--	532 16 69-60	Decal, Bypass
--	532 16 25-98	Decal, Load Limit
--	532 43 98-82	Pad, Footrest, LH
--	532 43 98-81	Pad, Footrest, RH
--	115 53 18-30	Manual Oper. Euro

### WHEELS AND TIRES

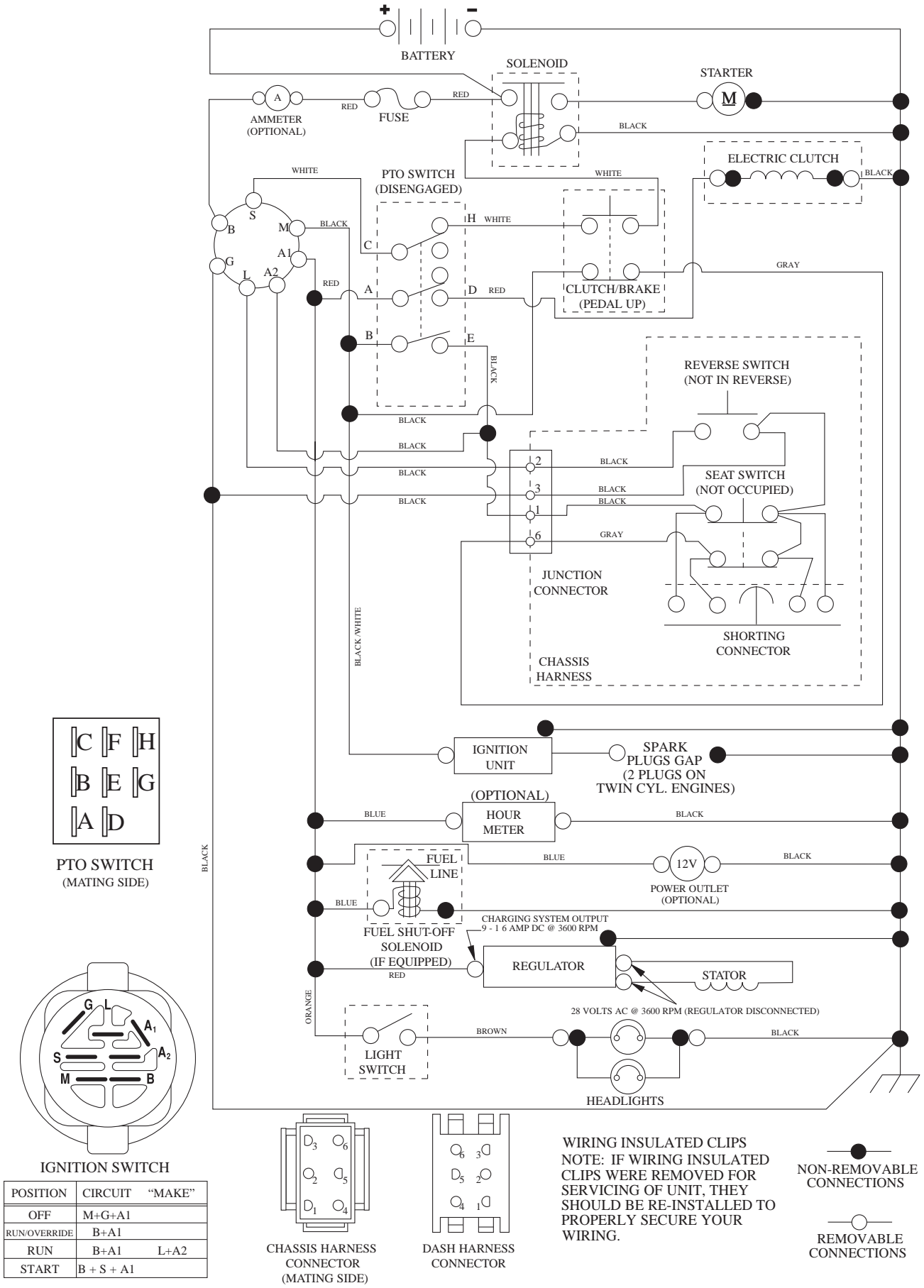


KEY NO.	PART NO.	DESCRIPTION
1	532 05 91-92	Cap, Valve, Tire
2	532 06 51-39	Stem, Valve
3	532 13 83-36	Rim Assembly, Front
4	532 05 99-04	Tube, Front (Service Item Only)
5	532 10 62-22	Tire, Front
6	532 12 49-57	Fitting, Grease (Front Wheel Only)
7	532 12 49-59	Bearing, Flange (Front Wheel Only)
8	532 17 50-39	Cap, Axle (Front Wheel Only)
9	532 12 20-82	Tire, Rear
10	532 12 49-26	Tube, Rear (Service Item Only)
11	532 13 83-37	Rim Assembly, Rear
--	532 14 43-34	Sealant, Tire (10 oz. Tube)

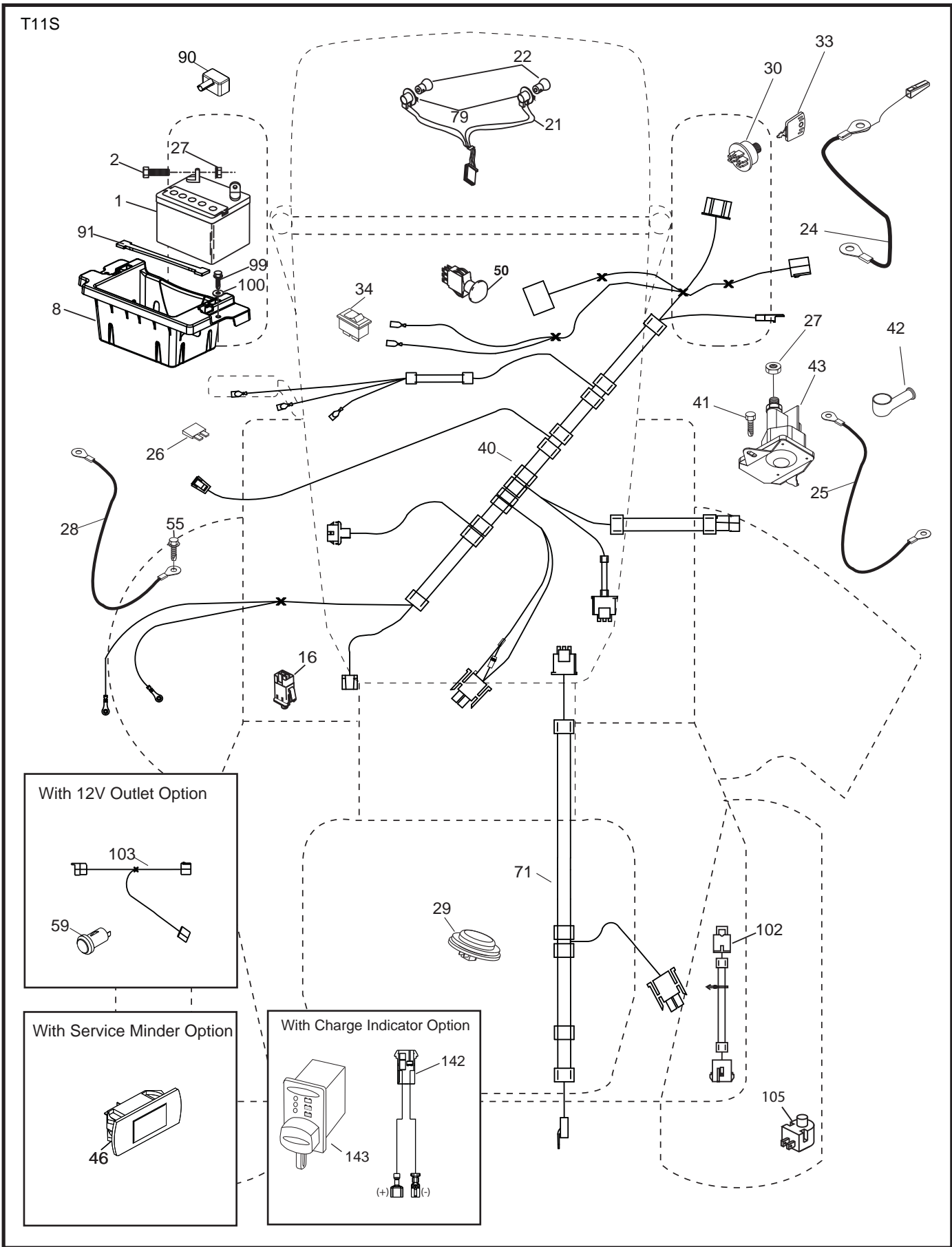
**NOTE:** All component dimensions given in U.S. inches  
 1 inch = 25.4 mm

# TRACTOR - - MODEL NO. YTH184T (96041030700), PRODUCT NO. 960 41 03-07 SCHEMATIC 38

SCH12



TRACTOR - - MODEL NO. YTH184T (96041030700), PRODUCT NO. 960 41 03-07  
 ELECTRICAL **32**

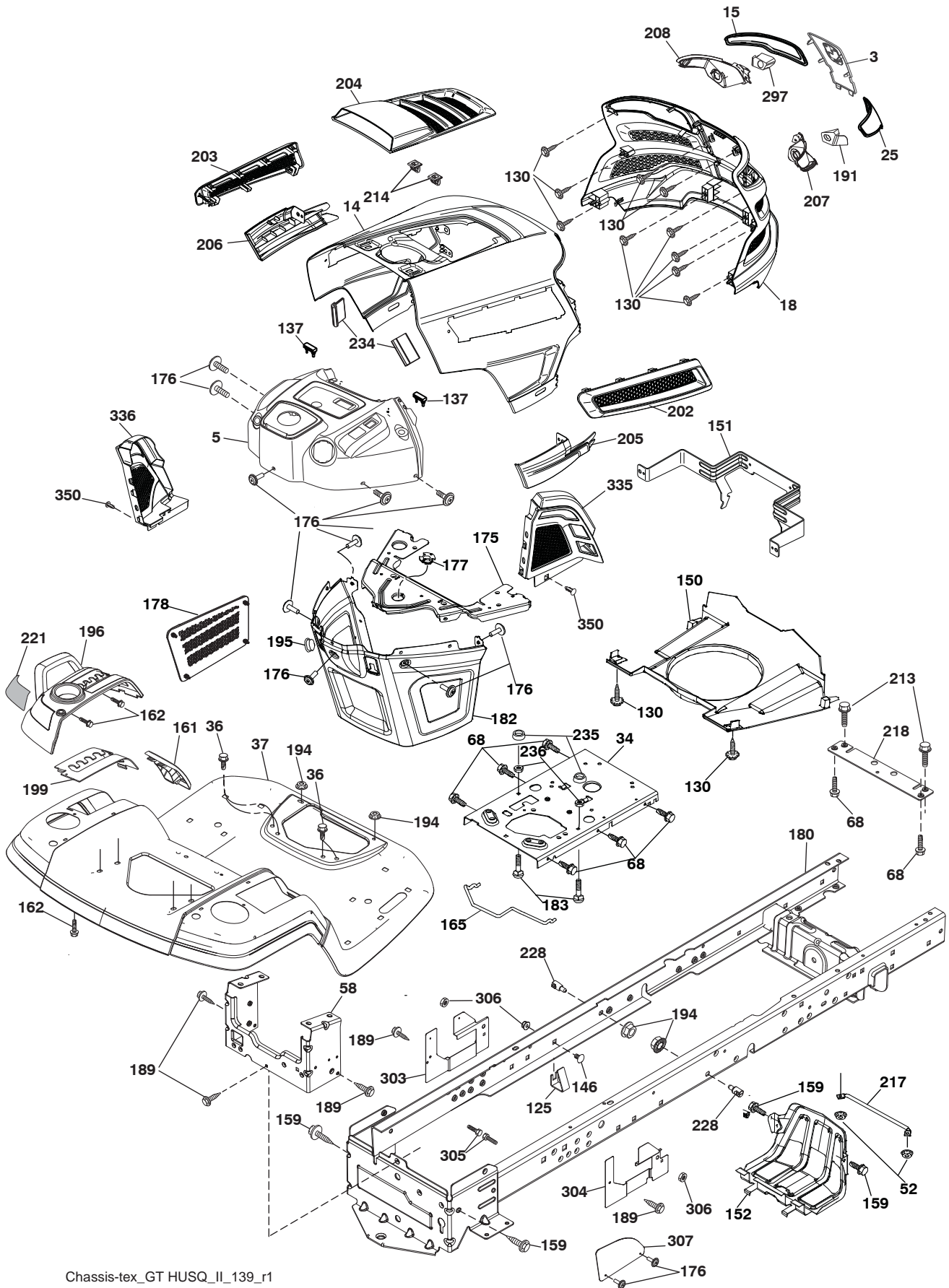


**TRACTOR - - MODEL NO. YTH184T (96041030700), PRODUCT NO. 960 41 03-07  
ELECTRICAL 32**

<b>KEY NO.</b>	<b>PART NO.</b>	<b>DESCRIPTION</b>
1	532 16 34-65	Battery
2	874 76 04-12	Bolt Hex Hd 1/4-20 unc x 3/4
8	532 18 64-91	Battery Box
16	532 17 61-38	Switch Interlock
21	532 40 02-52	Harness Socket Light
22	532 00 41-52	Bulb, Light #1156
24	532 40 02-53	Cable Battery
25	532 41 28-95	Cable Starter
26	532 17 51-58	Fuse
27	873 51 04-00	Nut Keps Hex 1/4-20 unc
28	532 14 54-91	Cable Ground 21" Blk 6 Ga.
29	532 40 15-45	Switch Seat
30	532 19 33-50	Switch Ign
33	532 41 19-35	Key/Chain
34	532 11 07-12	Switch Light/Reset
40	532 19 42-76	Harness Ign
41	817 72 04-08	Screw Thd Cut 1/4-20 x 1/2
42	532 13 15-63	Cover Terminal Red
43	532 19 25-07	Solenoid
46	532 40 17-63	Gauge Hourmeter
50	532 17 46-51	Switch PTO
55	817 06 05-12	Screw Thdrol 5/16-18 x 3/4
71	581 02 27-01	Harness Ign. Dash
79	532 17 52-42	Socket Asm. Bulb
90	532 43 53-95	Cover Terminal Battery
91	532 19 02-70	Strap Battery
99	817 67 04-12	Screw Hexwsh Thdrol 1/4-20 x 3/4
100	819 09 14-16	Washer 9/32 x 7/8 x 16 Ga.
102	532 40 75-68	Switch Reverse
105	532 40 44-54	Harness Pigtail

**NOTE:** All component dimensions given in U.S. inches  
1 inch = 25.4 mm

TRACTOR - - MODEL NO. YTH184T (96041030700), PRODUCT NO. 960 41 03-07  
CHASSIS AND ENCLOSURES **39**



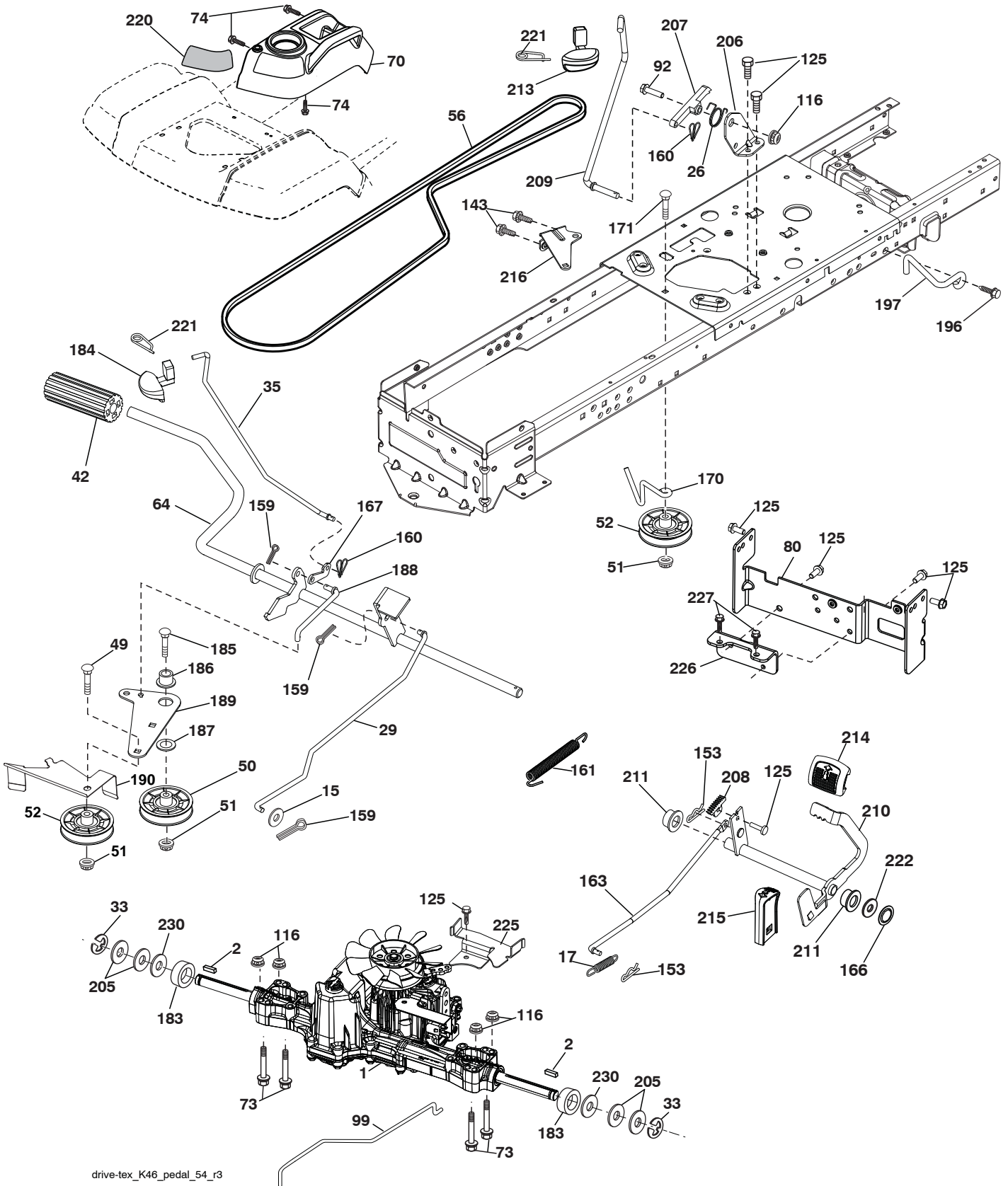
Chassis-tex\_GT HUSQ\_II\_139\_r1

**TRACTOR - - MODEL NO. YTH184T (96041030700), PRODUCT NO. 960 41 03-07  
CHASSIS AND ENCLOSURES 39**

KEY NO.	PART NO.	DESCRIPTION	KEY NO.	PART NO.	DESCRIPTION
3	532 43 97-52	Logo	195	532 40 41-37	Plug 12v Adapter
5	532 43 74-84	Dash	196	532 43 97-16	Console Asm. Deck Lift
14	532 44 11-77	Hood	199	532 19 82-59	Plate Deck Lift
15	532 43 97-33	Lens LH	202	532 43 97-28	Vent Side Hood RH
18	532 44 06-53	Grille	203	532 43 97-27	Vent Side Hood LH
25	532 44 33-85	Lens RH	204	532 43 57-14	Vent Asm Hood Top
34	580 91 08-01	Plate Engine	205	532 43 97-30	Skirt Hood Side RH
36	817 06 05-12	Screw 5/16-18 x 3/4	206	532 43 97-29	Skirt Hood Side LH
37	532 44 12-08	Fender	207	532 43 97-34	Bezel RH
52	873 68 05-00	Nut Crown Lock 5/16-18	208	532 43 97-35	Bezel LH
58	532 41 22-81	Drawbar Upper	213	874 76 05-12	Bolt Hex Hd 5/16-18 unc x 3/4
68	817 49 05-08	Screw 5/16-18 x 1/2	214	532 19 91-45	Clip Retainer
125	581 68 48-01	Clip Fuel Line	217	532 40 91-67	Rod Pivot
130	532 41 63-58	Screw #10 x 0.750 BOS Thread	218	532 19 63-95	Hood Stop
137	532 40 75-90	Bumper Hood/Dash	221	532 19 89-09	Reflector LH
146	581 85 79-01	Bolt	228	532 19 51-61	Stud Fastner
150	532 43 97-31	Duct Air	234	532 40 47-42	Bumper Hood
151	532 43 66-70	Bracket Pivot	235	532 40 61-29	Spacer Fender
152	532 43 98-70	Shield Browning	236	873 93 05-00	Nut Center Lock 5/16-18 unc
159	817 00 06-12	Screw Hexwsh Thdr 3/8-16 x 3/4	297	532 43 74-56	Insert Reflective LH
161	532 43 99-29	Console Fuel Window	303	532 42 09-59	Shield Chassis LH
162	532 14 24-32	Screw Hex Wsh Hi-Lo 1/4 x 1/2	304	532 42 15-09	Shield Chassis RH
165	532 19 68-26	Bracket Support Tank	305	872 11 06-06	Bolt 3/8-16 x 3/4
175	532 19 63-04	Crossmember	306	873 90 06-00	Nut 3/8-16
176	532 40 07-76	Screw 10-24 x 5/8 Rnd Qdrx	307	532 42 45-70	Shield Upper
177	532 19 52-27	Bushing Steering	335	532 44 82-04	Cover Dash RH
178	532 19 97-82	Cargo Asm. Net	336	532 44 53-09	Cover Dash LH
180	532 41 50-64	Chassis	350	532 44 51-43	Clip X-mas Tree
182	532 40 68-59	Dash Lower	--	532 40 09-44	Bumper Kit
183	874 52 05-20	Bolt Hex 5/16-18 x 1-1/4			
189	817 00 05-12	Screw 5/16-18 x 3/4			
191	532 43 74-55	Insert Reflective RH			
194	873 90 05-00	Nut Lock Hex Flange 5/16-18			

**NOTE:** All component dimensions given in U.S. inches  
1 inch = 25.4 mm

TRACTOR - - MODEL NO. YTH184T (96041030700), PRODUCT NO. 960 41 03-07  
DRIVE **40**



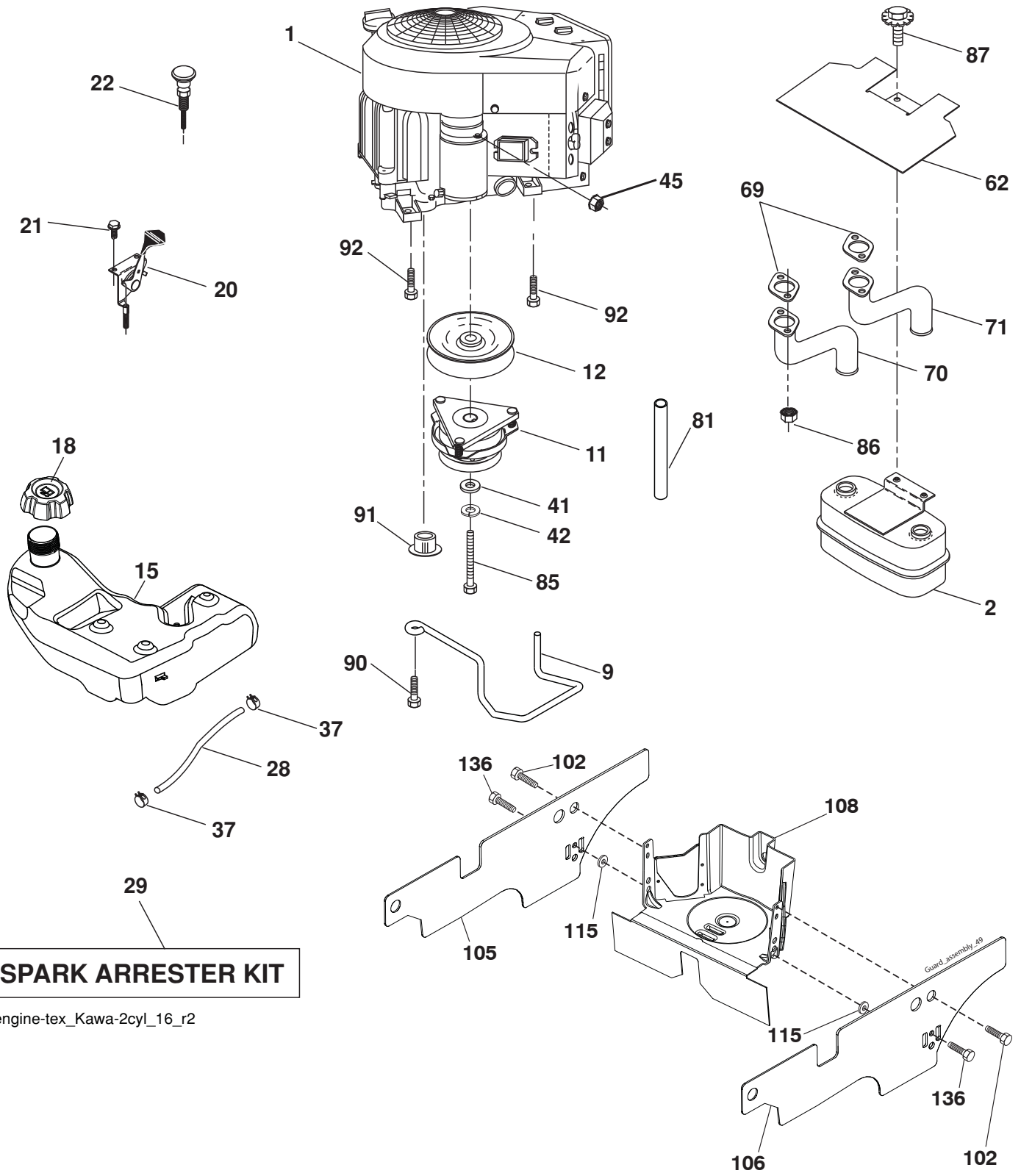
drive-tex\_K46\_pedal\_54\_r3



**TRACTOR - - MODEL NO. YTH184T (96041030700), PRODUCT NO. 960 41 03-07  
DRIVE 40**

KEY NO.	PART NO.	DESCRIPTION	KEY NO.	PART NO.	DESCRIPTION
1	---	Transaxle, TUFFTORQ K46 BT (426120) (Order parts from transaxle manufacturer)	171	872 11 06-16	Bolt RDHD SQNK 3/8-16 unc x 2
2	532 12 35-83	Key	183	532 13 70-57	Spacer Split
15	819 13 13-16	Washer 13/32 x 13/16 x 16 Ga.	184	532 44 14-55	Handle Parking Brake
17	532 41 36-78	Spring Brake	185	872 11 06-22	Bolt Rdhd Sqnk 3/8-16 x 2-3/4 Gr. 5
26	532 19 96-79	Spring Return Cruise	186	532 19 43-21	Spacer Retainer
29	532 40 38-06	Rod, Brake	187	819 13 32-10	Washer
33	812 00 00-01	Ring E	188	532 19 43-23	Link Clutch Ground Drive
35	583 86 45-01	Rod Brake Park	189	532 19 43-17	Bellcrank Ground Drive
42	532 12 48-72	Cover Foot Pedal	190	532 19 43-18	Keeper Bellcrank Ground Drive
49	872 11 06-14	Bolt	196	817 00 06-16	Screw 3/8-16 x 1
50	532 19 43-27	Pulley Idler Flat	197	532 19 58-04	Link Clutch Anti-Rotation
51	873 90 06-00	Lock Nut 3/8-16	205	532 12 17-48	Washer
52	532 19 43-26	Idler V-Groove	206	532 19 78-67	Bracket Mount Latch
56	532 13 09-69	V-Belt Drive	207	532 19 78-68	Latch Control
64	532 19 78-65	Shaft Asm. Pedal Brake Control	208	532 19 78-69	Gear Sector Control
70	532 43 96-61	Console Asm.	209	532 19 95-92	Rod Control Cruise
73	874 49 05-40	Bolt 5/16-18 x 2-1/2 Gr. 5	210	532 19 78-60	Rocker Asm. Pedal
74	532 14 24-32	Screw 1/4 x 1/2	211	532 12 01-83	Bushing Brake Shaft
80	532 44 06-19	Strap Torque	213	532 40 31-19	Knob Control Cruise
92	874 76 05-20	Bolt 5/16-18 unc x 1.25	214	532 42 12-63	Pedal Forward
99	532 41 57-42	Rod Bypass	215	532 40 17-23	Pedal Reverse
116	873 90 05-00	Nut Lock Hex Flange 5/16-18	216	532 19 61-31	Bracket Pulley Idler
125	817 00 05-12	Screw 5/16-18 x 3/4	220	532 19 89-08	Reflector RH
143	817 49 05-08	Screw 5/16-18 x 1/2	221	532 40 31-87	Retainer Spring Clip Handle
153	532 12 47-88	Retainer Spring	222	879 21 20-10	Washer 21/32 x 1-1/4 10 Ga.
159	876 02 04-12	Pin Cotter 1/8 x 3/4	225	532 40 33-19	Keeper Belt Trans.
160	532 16 94-84	Retainer Clip	226	532 40 15-64	Bracket Mount Torque
161	532 10 57-09	Spring Return Clutch	227	817 49 05-12	Screw 5/16-18 x 3/4
163	532 44 82-75	Rod Control Pedal	230	532 18 89-67	Washer Hardened
166	532 42 91-64	Nut Push			
167	532 40 52-57	Latch Brake Parking			
170	532 19 43-22	Keeper Belt Centerspan			

**NOTE:** All component dimensions given in U.S. inches  
1 inch = 25.4 mm



**SPARK ARRESTER KIT**

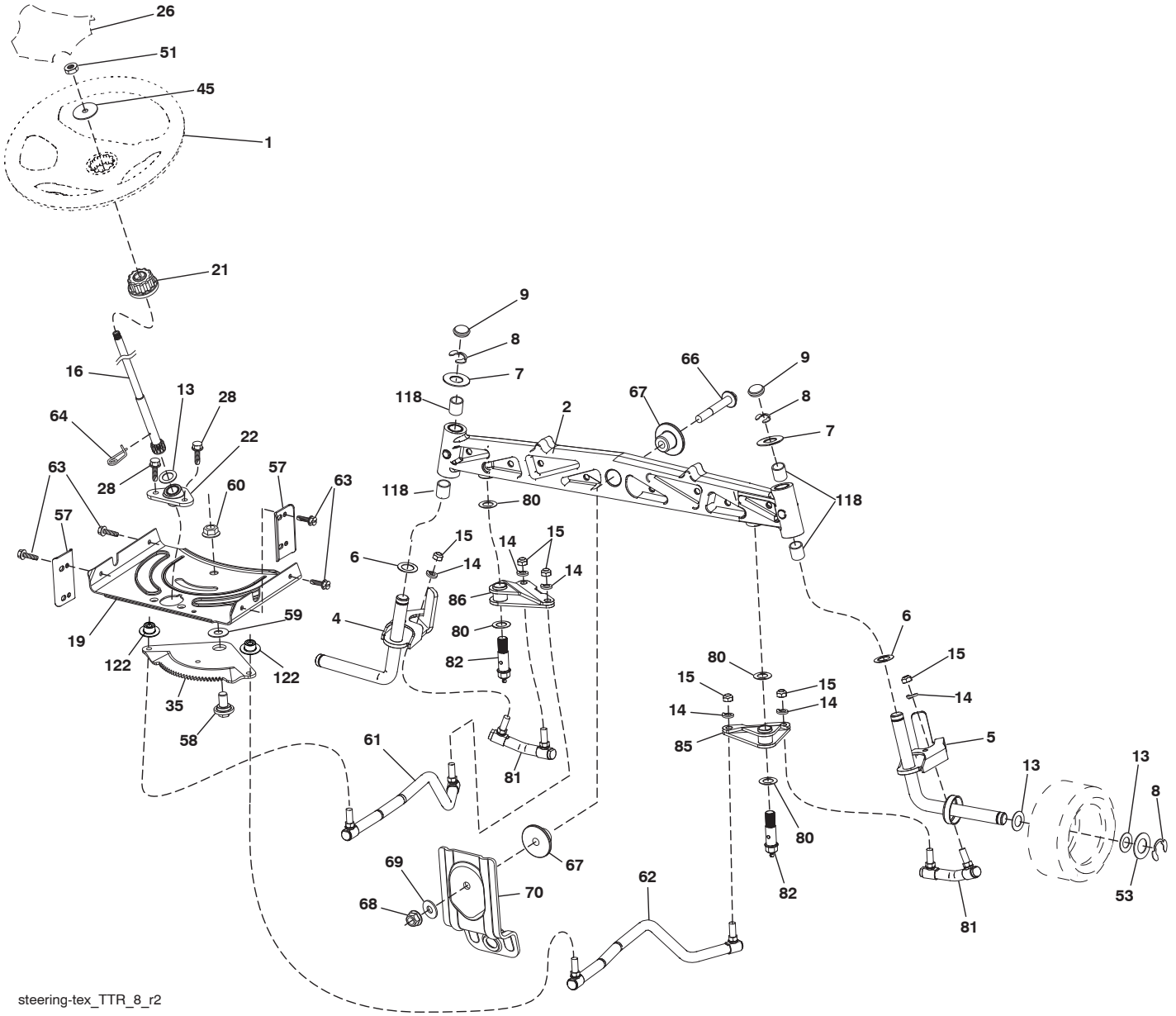
engine-tex\_Kawa-2cyl\_16\_r2

**TRACTOR - - MODEL NO. YTH184T (96041030700), PRODUCT NO. 960 41 03-07  
ENGINE 24**

KEY NO.	PART NO.	DESCRIPTION
1	- - - - -	Engine Kawa Model No. FS541V-CS51 (445366) (Order parts from engine manufacturer)
2	532 44 59-62	Muffler
9	532 19 43-20	Keeper Belt Engine
11	532 18 05-05	Clutch Electric
12	532 40 50-97	Pulley Engine
15	532 19 34-99	Tank Fuel 4.0
18	532 43 96-45	Cap Asm
20	532 41 21-65	Control Throttle
21	532 41 63-58	Screw #10 x 0.75 BOS Thread
22	532 19 15-96	Control Choke
28	532 14 21-58	Fuel Line
29	532 13 71-80	Spark Arrester Kit
37	532 12 34-87	Clamp Hose
41	532 12 61-97	Washer 1-1/2 OD x 15/32 ID x .250
42	810 04 07-00	Washer Lock 7/16
45	873 51 04-00	Nut Keps Hex 1/4-20 unc
62	532 43 40-17	Shield Heat Muffler
69	532 17 81-51	Gasket
70	532 42 47-65	Tube Exhaust LH
71	532 42 47-66	Tube Exhaust RH
81	532 14 84-56	Tube Drain Oil Easy
85	532 17 39-37	Bolt Hex 7/16-20 x 4 x Gr. 5-1.5
86	532 18 43-62	Nut Hex Flange Toplock M8-1.2
87	532 17 18-77	Bolt 5/16-18 unc x 3/4 w/Sems
90	817 00 06-16	Screw 3/8-16 x 1
91	532 18 74-95	Bushing
92	817 12 06-16	Screw 3/8-16 x 1
102	817 00 05-12	Screw 5/16-18 x 3/4
105	532 41 05-28	Shield LH
106	532 41 05-29	Shield RH
108	532 42 17-94	Cover, Asm
115	532 42 30-62	Palnut 1/4
136	532 13 77-29	Screw Thd Roll 1/4-20 x 5/8

**NOTE:** All component dimensions given in U.S. inches  
1 inch = 25.4 mm

TRACTOR - - MODEL NO. YTH184T (96041030700), PRODUCT NO. 960 41 03-07  
STEERING ASSEMBLY **41**



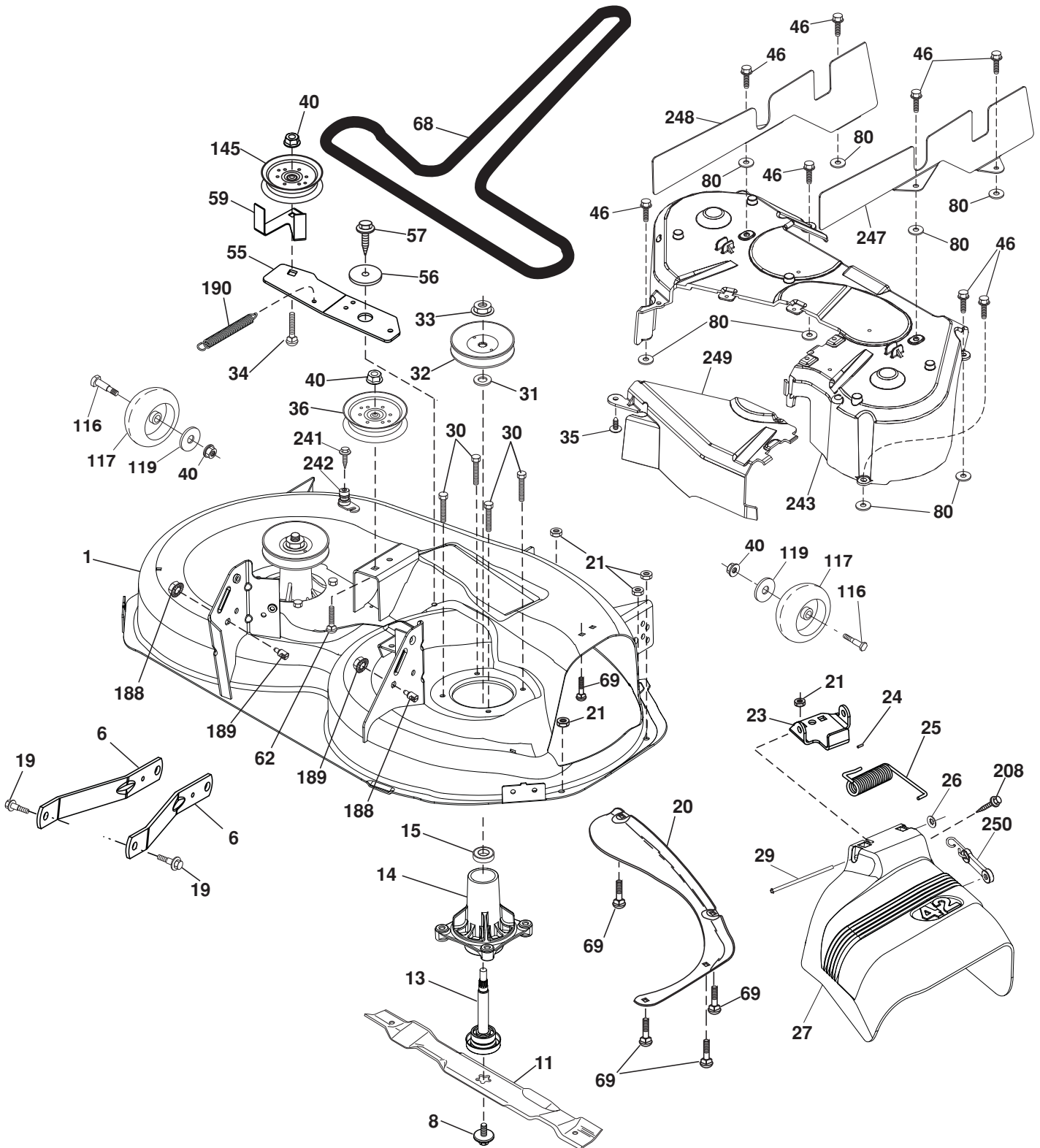
steering-tex\_TTR\_8\_r2

**TRACTOR - - MODEL NO. YTH184T (96041030700), PRODUCT NO. 960 41 03-07  
STEERING ASSEMBLY **41****

<b>KEY NO.</b>	<b>PART NO.</b>	<b>DESCRIPTION</b>
1	532 43 97-40	Wheel, Steering
2	532 43 68-70	Axle Cast Iron
4	532 43 68-73	Spindle Asm., LH
5	532 43 68-74	Spindle Asm., RH
6	532 12 49-31	Washer, Thrust
7	532 12 17-48	Washer 25/32 x 1-5/8 x 16 Ga.
8	812 00 00-29	Ring, Klip #T5304-75
9	532 12 12-32	Cap, Spindle
13	532 12 17-49	Washer 25/32 x 1-1/4 x 16 Ga.
14	810 04 06-00	Washer, Lock Hvy Hlcl Spr 3/8
15	873 54 06-00	Nut, Crown Lock 3/8-24 unf
16	532 44 42-12	Shaft Steering
19	532 19 47-29	Plate Steering
21	532 43 77-47	Adapter, Wheel Steering
22	532 19 48-45	Bushing Asm.
26	532 43 97-43	Insert, Wheel Steering
28	817 00 06-12	Screw 3/8-16 x 3/4
35	532 44 07-70	Gear, Sector Plate
45	819 18 38-12	Washer 9/16 ID x 2-3/8 OD 12 Ga.
51	873 94 08-00	Nut Hex Jam Toplock 1/2-20 unf
53	532 18 89-67	Washer Hardened .793 x 1.637 x .060
57	532 40 74-65	Bracket Upstop
58	532 19 47-47	Bolt Shoulder Sector Pivot CFM
59	532 19 47-48	Washer Thrust Sector Steering
60	873 97 10-00	Nut Flange Lock 5/8-11
61	532 43 68-84	Draglink, LH
62	532 43 68-85	Draglink, RH
63	817 00 05-12	Screw 5/16-18 x 3/4
64	532 19 98-49	Retainer Clip Spring Steering
66	871 02 07-48	Bolt Hex Fghd 7/16-14 x 3 Serr
67	532 19 47-37	Bushing PM Front Axle
68	873 90 07-00	Nut Lock Flange 7/16-14 Gr. 5
69	532 19 91-62	Washer 1.5 x .505 x .118
70	532 19 61-97	Bracket Deck Susp. Front
80	532 00 13-70	Washer 5/8 x 1.10 x 1/32
81	532 43 68-87	Sub Asm. Link Cross
82	532 43 68-77	Sub Asm. Pivot Bolt
85	532 44 18-73	Sub Asm. Pivot RH
86	532 44 18-72	Sub Asm. Pivot LH
118	532 40 60-13	Bushing Axle
122	532 44 49-62	Cap Gear Sector

**NOTE:** All component dimensions given in U.S. inches  
1 inch = 25.4 mm

TRACTOR - - MODEL NO. YTH184T (96041030700), PRODUCT NO. 960 41 03-07  
 MOWER DECK **44**



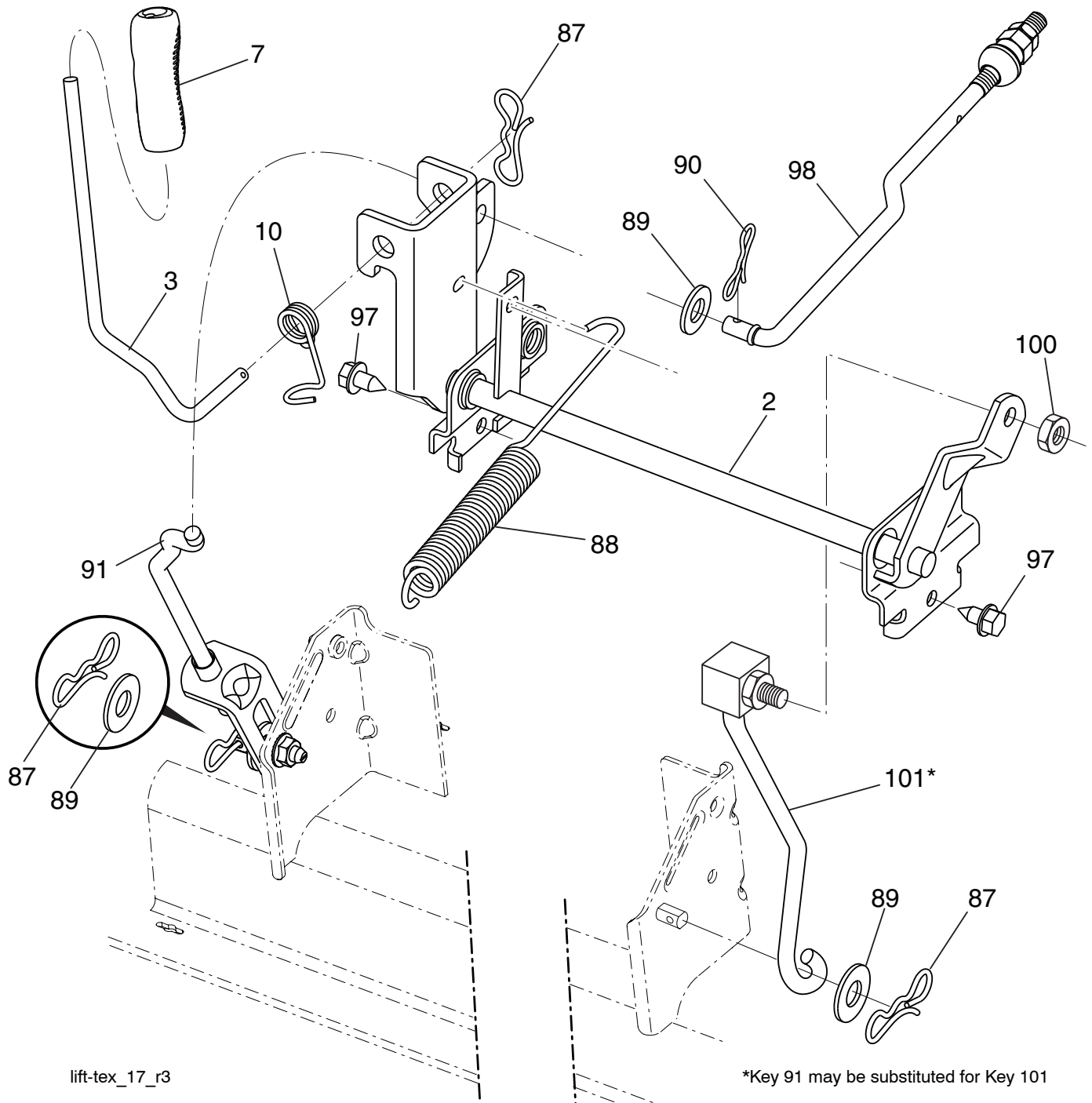
42\_D\_elec-tex\_22\_r4

**TRACTOR - - MODEL NO. YTH184T (96041030700), PRODUCT NO. 960 41 03-07  
MOWER DECK 44**

KEY NO.	PART NO.	DESCRIPTION	KEY NO.	PART NO.	DESCRIPTION
1	584 92 75-01	Mower Deck Assembly, 42"	68	532 14 49-59	V-Belt, 42" Mower
6	532 19 51-86	Arm Susp. Rear	69	872 14 05-05	Bolt, Carriage 5/16-18 x 5/8
8	532 19 30-03	Bolt/Washer asm. 7/16-20	80	532 42 30-62	Palnut 1/4
11	532 13 89-71	Blade Mower 42"	116	532 12 48-42	Bolt, Shoulder
13	532 19 28-72	Shaft Assembly, Mandrel	117	532 18 86-06	Wheel, Gauge
14	532 18 72-81	Housing, Mandrel	119	819 12 14-14	Washer 3/8 x 7/8 x 14 Ga.
15	532 11 04-85	Bearing, Ball, Mandrel	145	532 19 31-97	Pulley Idler Primary
19	532 19 65-39	Bolt, Shoulder	188	532 19 51-61	Stud Fastner w/D Anti-Rotation
20	532 15 97-70	Baffle, Vortex	189	873 90 05-00	Nut Lock Hex Flange 5/16-18
21	873 68 05-00	Nut	190	532 19 72-51	Spring Mower Drive
23	532 19 25-57	Bracket, Deflector Mower 42"	208	817 67 06-08	Screw 3/8-16 x 1/2
24	532 10 53-04	Cap, Sleeve 80 x 112 Blk Mower	241	532 15 29-27	Screw TT #10-32.5. 3/8
25	532 19 70-26	Spring, Torsion, Deflector	242	532 41 55-98	Port Washout
26	532 11 04-52	Nut, Push Phos & Oil	243	532 43 23-94	Cover, Deck
27	532 41 14-85	Shield, Deflector 42" Blk	247	532 43 02-61	Shield Deck RH
29	532 13 14-91	Rod, Hinge 42" 6 75 W/G	248	532 43 02-60	Shield Deck LH
30	532 17 39-84	Screw Thdrol	249	532 40 65-14	Cover, Cable Clutch
31	532 18 76-90	Washer, Spacer Mower Vented	250	532 43 60-87	Kit Bungee
32	532 15 35-35	Pulley, Mandrel	--	532 19 28-70	Mandrel Assembly (Includes hous- ing (key #14), shaft assembly (key #13), and bearing only (key #15) - pulley/nut/washer and blade bolt/ washers not included)
33	532 40 02-34	Nut, Toplock			
34	872 11 06-12	Bolt Carr SH 3/8-16 x 1-1/2 Gr. 5			
35	532 13 38-35	Fastner			
36	532 19 73-79	Pulley, Idler, Flat			
40	873 90 06-00	Nut Lock 3/8-16	--	583 93 50-03	Replacement Mower, Complete (Std. deck Order separately gauge wheel components Key Nos. 116-119)
46	532 13 77-29	Screw 1/4-20 x 5/8			
55	532 43 71-10	Arm, Idler			
56	532 19 90-92	Spacer, Retainer			
57	817 00 06-16	Screw 3/8-16 x 1			
59	532 14 10-43	Guard TUV Idler			
62	872 11 06-16	Bolt Rdhd Sqnk 3/8-16 unc x 2			

**NOTE:** All component dimensions given in U.S. inches  
1 inch = 25.4 mm

**TRACTOR - - MODEL NO. YTH184T (96041030700), PRODUCT NO. 960 41 03-07**  
**MOWER LIFT 45**



lift-tex\_17\_r3

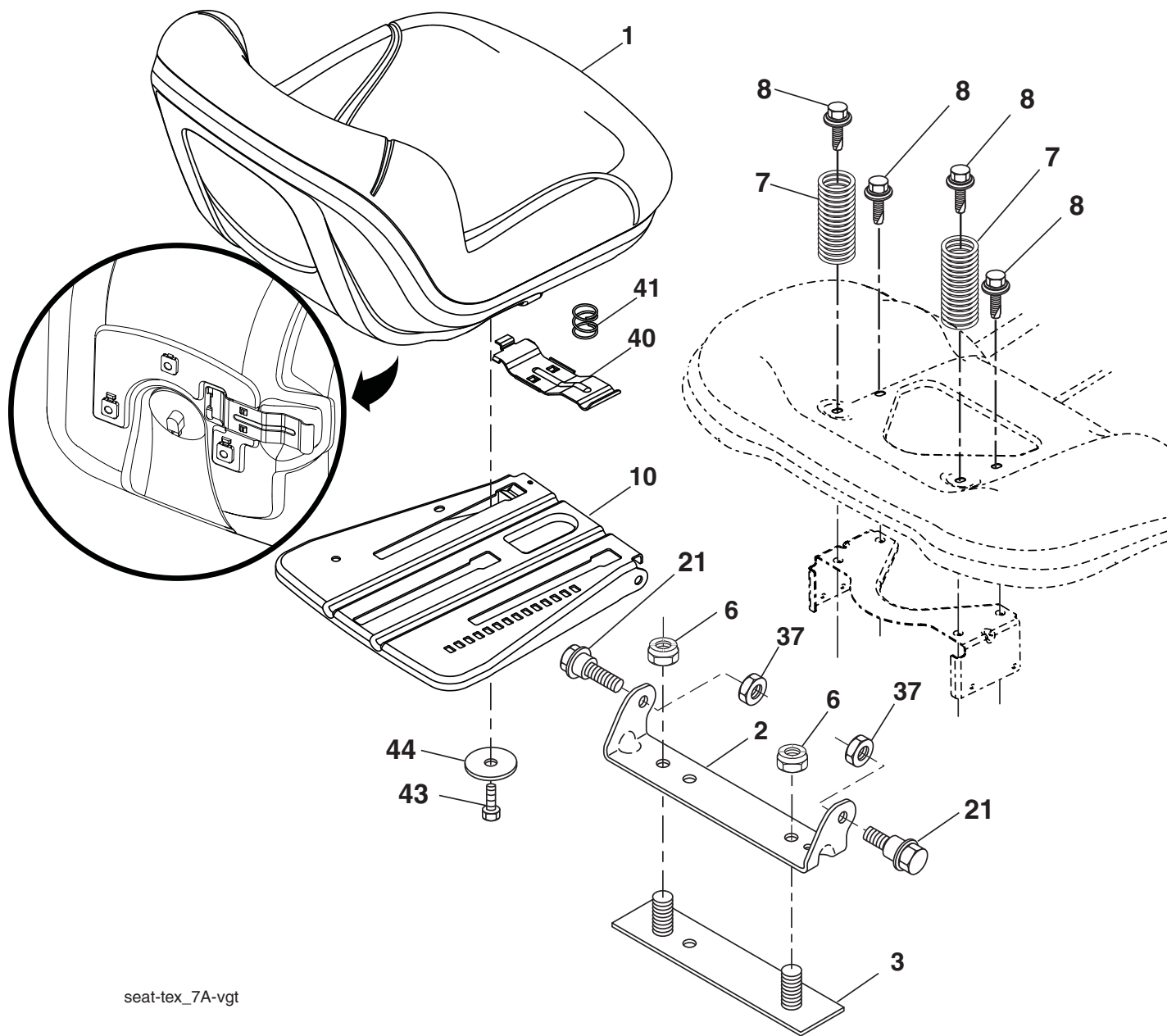
KEY NO.	PART NO.	DESCRIPTION
2	532 42 20-27	Shaft Asm., Lift
3	532 19 52-30	Lever Asm., Lift RH
7	580 96 23-01	Grip, Lever
10	532 19 63-14	Spring Torsion
87	532 19 42-09	Pin Cotter 7/16 Bow Tie Lock
88	532 41 07-10	Spring Lift Assist
89	819 19 19-12	Washer Clear Zinc
90	532 19 42-08	Pin Cotter 5/16 Bow Tie Lock

KEY NO.	PART NO.	DESCRIPTION
91	532 19 51-81	Link Lift Susp Mower Rear
97	817 00 06-12	Screw 3/8-16 x .75 Smgml Tap/R.Z
98	532 19 52-70	Link Lift Susp. Front Mower
100	873 93 06-00	Nut Lock 3/8 - 16 unc
101	532 40 70-03	Link Asm. Lift Fxd

**NOTE:** All component dimensions given in U.S. inches  
 1 inch = 25.4 mm



**TRACTOR - - MODEL NO. YTH184T (96041030700), PRODUCT NO. 960 41 03-07  
SEAT ASSEMBLY 42**



seat-tex\_7A-vgt

KEY NO.	PART NO.	DESCRIPTION
1	532 43 98-22	Seat
2	532 18 01-66	Bracket Pivot Fender
3	532 14 06-75	Strap, Asm Fender
6	873 80 06-00	Nut, Lock w/Ins. 3/8-16 unc
7	532 12 41-81	Spring, Seat Cprsn
8	532 17 18-77	Bolt 5/16-18 unc x 3/4 w/Sems
10	532 19 69-77	Pan, Seat
21	532 17 18-52	Bolt, Shoulder 5/16-18
37	873 80 05-00	Nut, Lock 5/16-18 unc

KEY NO.	PART NO.	DESCRIPTION
40	532 19 76-61	Handle Slide Seat
41	532 19 82-00	Spring Latch Seat
43	874 76 06-12	Bolt 3/8-16 x 3/4
44	819 13 38-12	Washer 13/32 x 2-3/8 x 12 Ga.

**NOTE:** All component dimensions given in U.S. inches  
1 inch = 25.4 mm

