

R115B

Spare parts

Ersatzteile

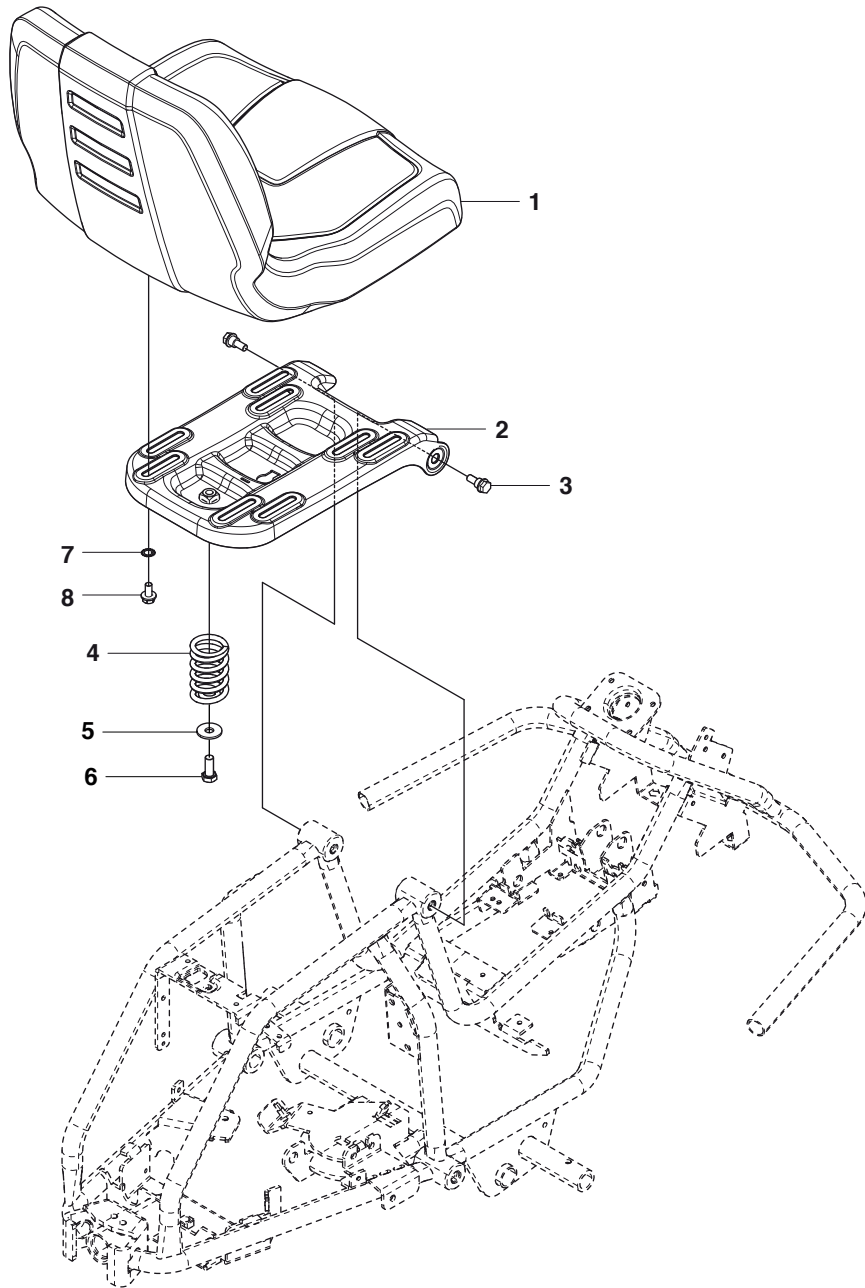
Pièces détachées

Reserve onderdelen

Repuestos

Reservdelar

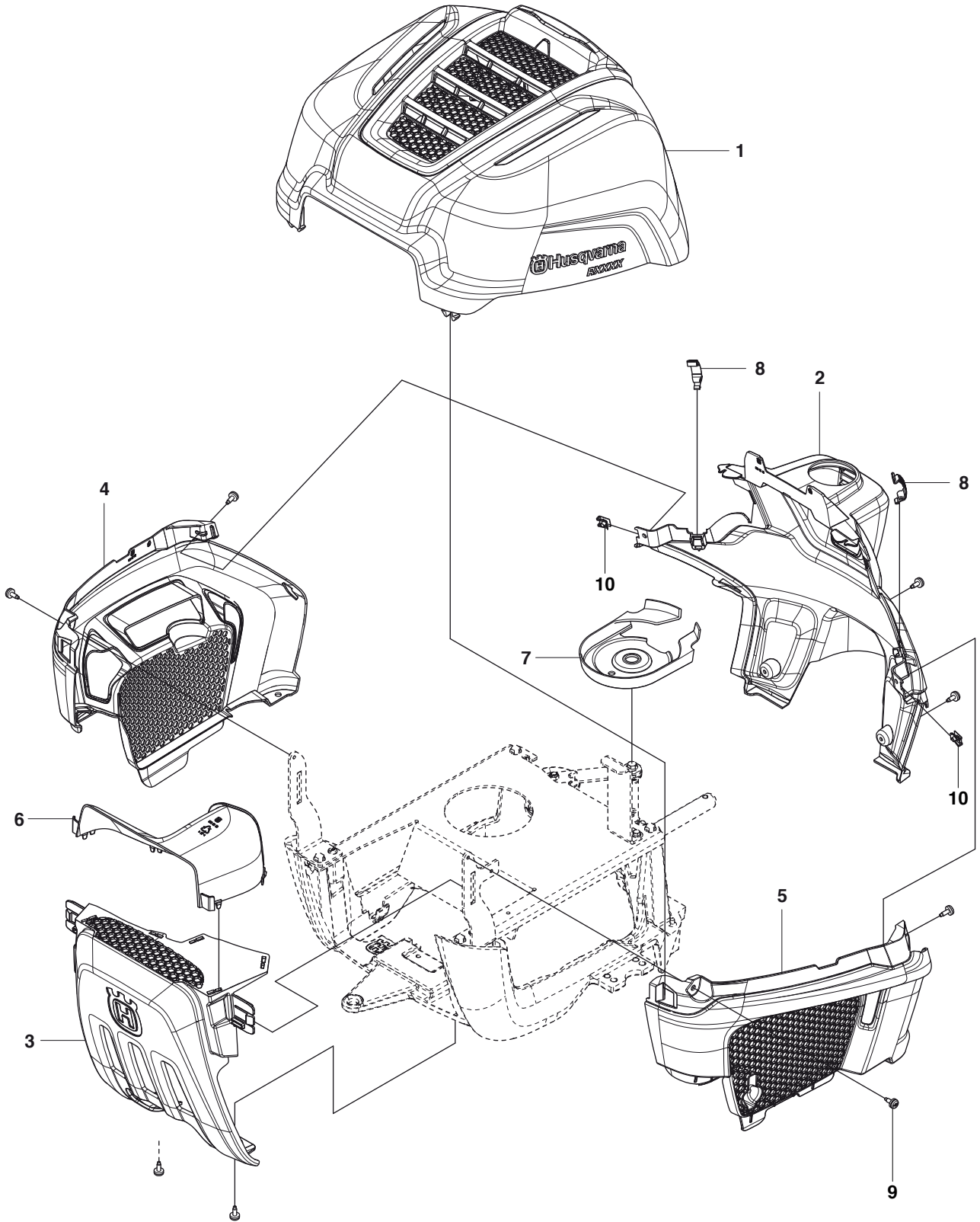
SEAT



Page A R115B SEAT

Position	Article	Quantity	Notes	Kit
1	525 81 48-01	1	SEAT	
2	581 04 15-01	1	SEAT BRACKET	
3	506 59 74-01	2	COLLAR SCREW	
4	506 91 53-01	1	COMPRESSION SPRING	
5	734 11 74-41	1	WASHER	
6	725 24 93-71	1	SCREW EHHM	
7	735 21 64-00	4	LOCK WASHER	
8	506 57 01-03	4	SCREW EHHFM	

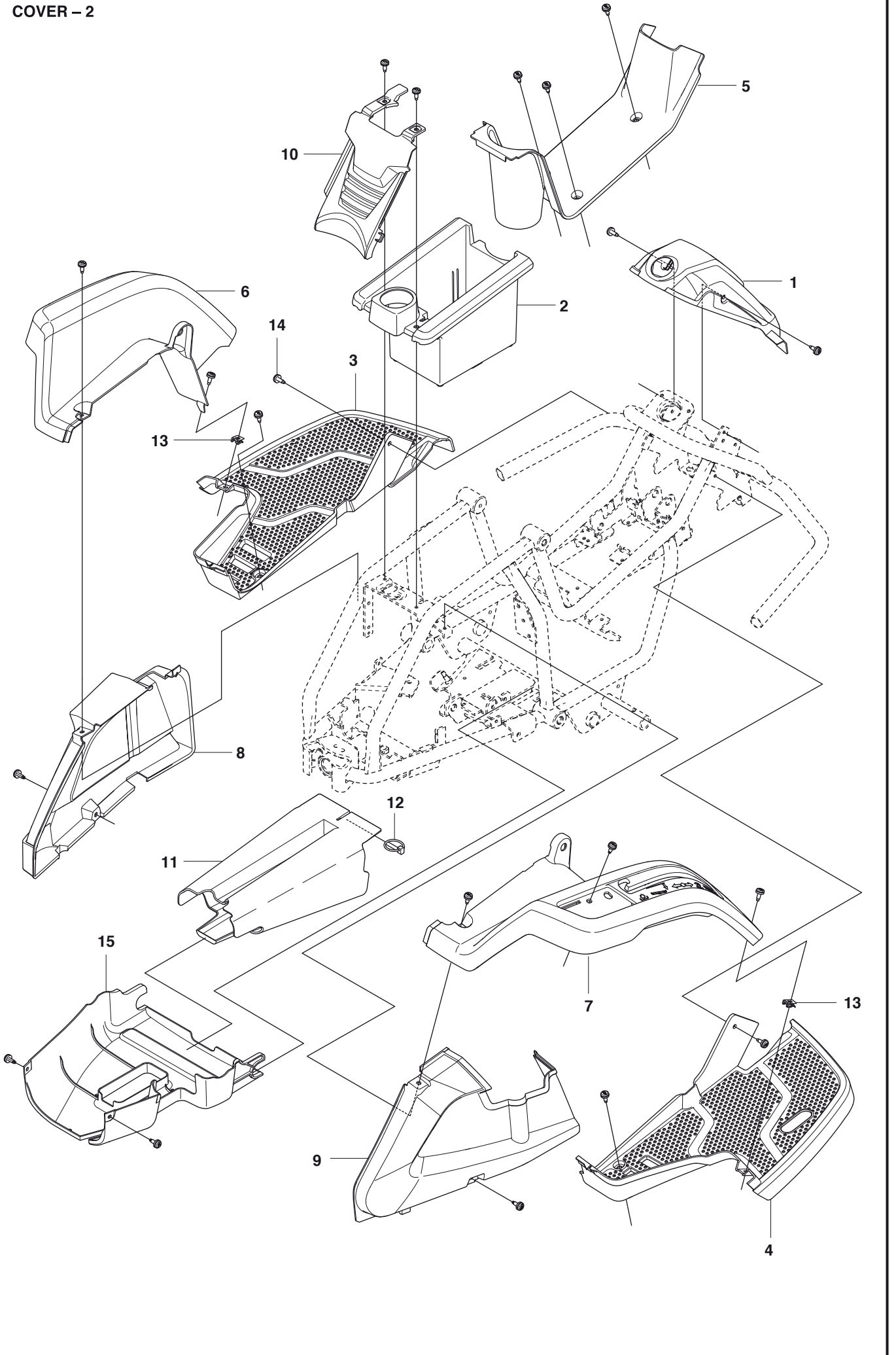
COVER - 1



Page B1 R115B COVER

Position	Article	Quantity	Notes	Kit
1	580 27 62-02	1	COVER	
2	580 27 49-01	1	COVER FRONT	
3	580 27 54-01	1	COVER	
4	580 27 51-01	1	COVER	
5	580 27 52-01	1	COVER	
6	580 82 18-01	1	AIR CONDUCTOR	
7	522 50 81-01	1	COVER	
8	503 89 47-03	2	SNAP	
9	544 40 05-01	8	SCREW	
10	535 42 91-01	2	SPRING NUT	

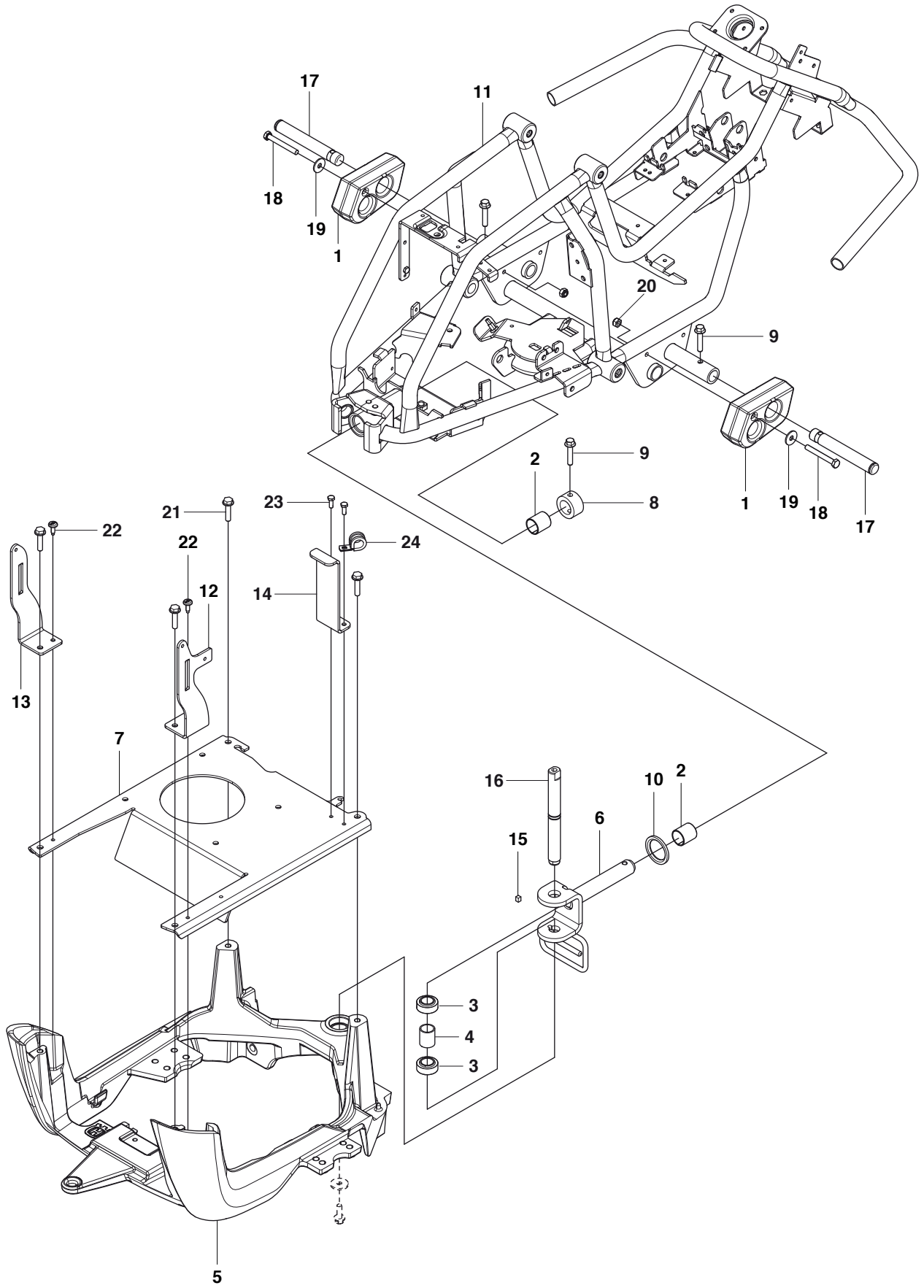
COVER - 2



Page B2 R115B COVER

Position	Article	Quantity	Notes	Kit
1	575 83 92-01	1	COVER	
2	525 47 78-01	1	BATTERY BOX	
3	521 88 91-01	1	FOOT PLATE	
4	521 88 92-01	1	FOOT PLATE	
5	522 60 18-01	1	COVER	
6	521 89 07-01	1	COVER	
7	521 88 93-01	1	CONTROL PANEL	
8	522 60 19-01	1	COVER	
9	522 60 20-01	1	COVER	
10	525 47 79-01	1	COVER	
11	525 39 61-01	1	COVER	
12	574 60 08-01	1	SPRINT	
13	535 42 91-01	2	SPRING NUT	
14	544 40 05-01	20	SCREW	
15	575 75 14-01	1	COVER	

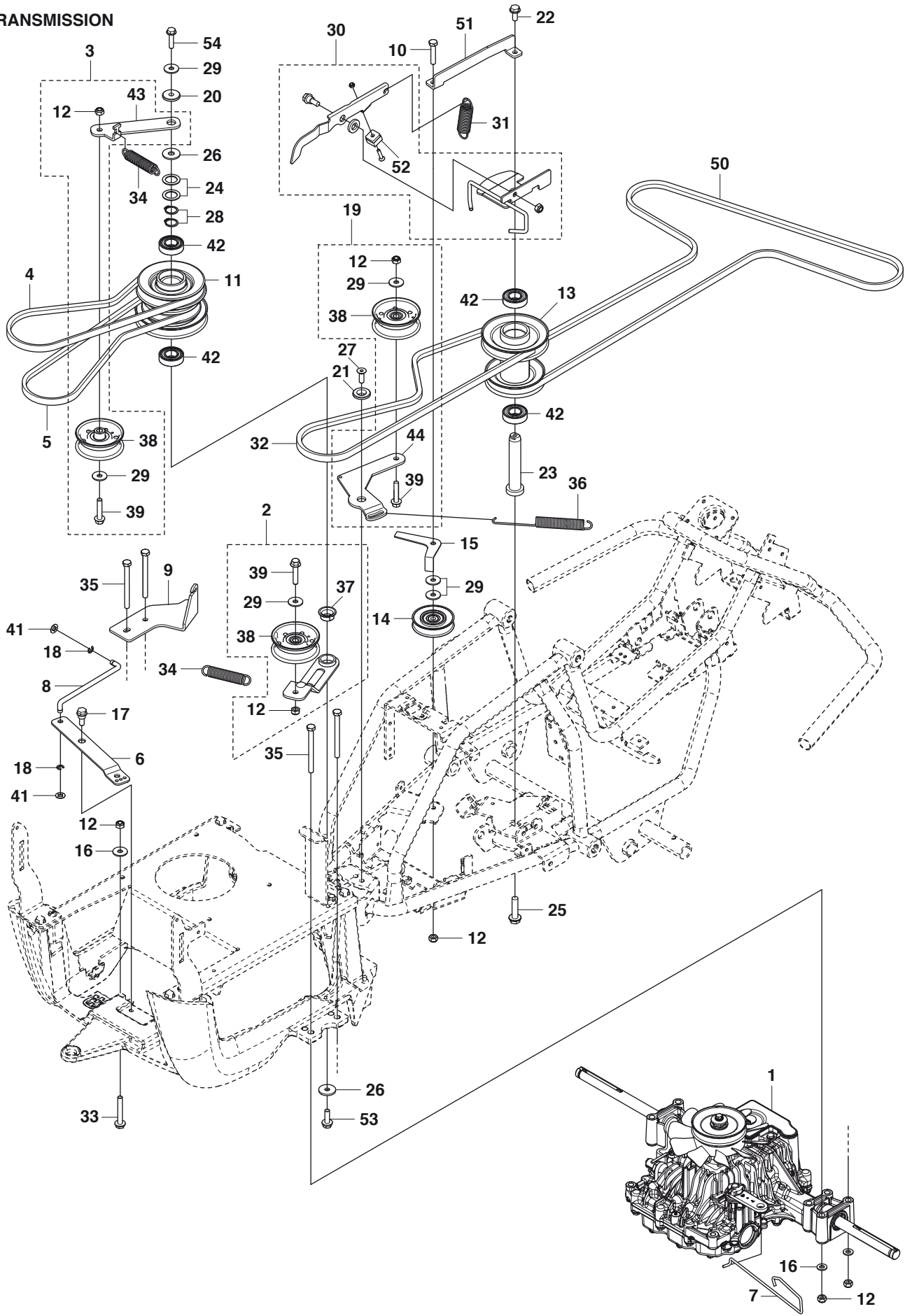
CHASSIS



Page C R115B CHASSIS

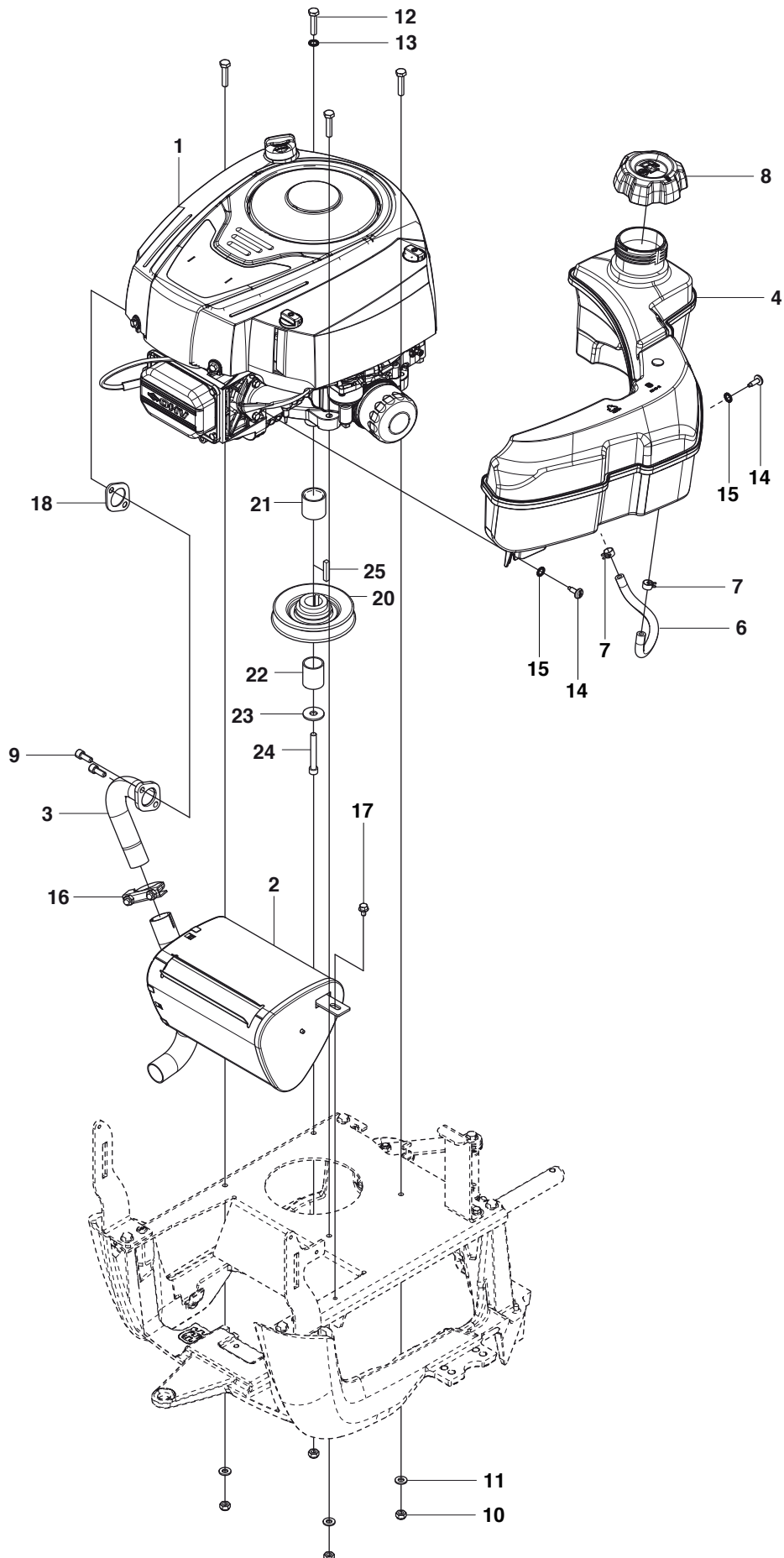
Position	Article	Quantity	Notes	Kit
1	580 46 42-01	2	COUNTERWEIGHT	
2	506 98 61-01	2	GLIDLAGER	
3	574 36 85-01	2	BEARING	
4	522 42 45-01	1	SLEEVE	
5	579 56 95-01	1	FRAME	
6	580 26 74-01	1	SWING AXLE	
7	579 59 78-01	1	BRACKET	
8	522 42 52-01	1	STOP SLEEVE	
9	725 24 59-61	3	SCREW EHHFT	
10	522 42 53-01	1	SPACER	
11	581 27 41-01	1	FRAME	
12	580 68 21-01	1	BRACKET	
13	580 68 23-01	1	BRACKET	
14	580 68 24-01	1	BRACKET	
15	577 70 89-01	1	KEY	
16	579 72 04-01	1	SHAFT	
17	535 47 08-02	2	WHEEL AXLE	
18	725 24 64-51	2	SCREW EHHM	
19	734 11 64-41	2	WASHER	
20	732 21 18-01	2	LOCK NUT	
21	506 57 01-06	4	SCREW EHHFM	
22	544 40 04-01	2	SCREW	
23	725 23 68-61	2	SCREW	
24	574 53 12-03	1	HOSE CLAMP	

TRANSMISSION



Page D R115B TRANSMISSION				
Position	Article	Quantity	Notes	Kit
1	580 37 84-01	1	TRANSMISSION	
2	580 27 90-01	1	BELT TENSIONER ASSY	
3	580 27 87-01	1	BELT TENSIONER ASSY	
4	580 28 03-01	1	BELT	
5	580 28 04-01	1	BELT	
6	580 27 78-01	1	LINK ARM	
7	580 37 49-01	1	ARM	
8	580 29 11-01	1	ROD	
9	580 29 12-01	1	BRACKET	
10	725 24 59-51	1	SCREW	
11	581 73 85-01	1	PULLEY	
12	732 21 18-01	5	LOCK NUT	2, 3, 19
13	581 74 02-01	1	PULLEY	
14	506 94 69-01	1	BELT TENS WHEEL ASSY	
15	577 41 85-01	1	BRACKET	
16	734 11 64-01	4	WASHER	
17	506 59 74-01	1	COLLAR SCREW	
18	735 31 10-20	2	E-CLIP	
19	522 60 33-01	1	BELT TENSIONER	
20	574 87 41-01	1	WASHER	
21	581 76 52-01	1	WASHER	
22	506 57 01-04	1	SCREW EHHFM	
23	574 25 98-01	1	SHAFT	
24	506 50 48-05	2	WASHER	
25	506 67 54-02	1	SCREW EHHFM	
26	734 11 74-41	1	WASHER	
27	725 64 53-01	1	SCREW IHCSFM	
28	735 31 22-00	2	CIRCLIP	
29	734 11 64-41	4	WASHER	
30	581 73 94-01	1	BRAKE ASSY	
31	575 92 89-01	1	SPRING	
32	581 75 99-01	1	BELT	
33	506 57 01-07	1	SCREW EHHFM	
34	574 50 61-01	2	SPRING	
35	725 24 69-51	4	SCREW EHHM	
36	575 56 72-02	1	SPRING	
38	539 91 90-78	3	PULLEY	2, 3, 19
39	725 24 59-51	3	SCREW	2, 3, 19
41	735 58 52-01	2	PUSH-ON WASHER	
42	738 21 04-04	4	BALL BEARING	
44	522 60 29-01	1	BELT TENSIONER	
50	580 62 41-02	1	BELT	
51	581 74 66-01	1		
53	577 21 65-01	1		
52	506 83 36-01	1		30
54	506 57 01-05	1		

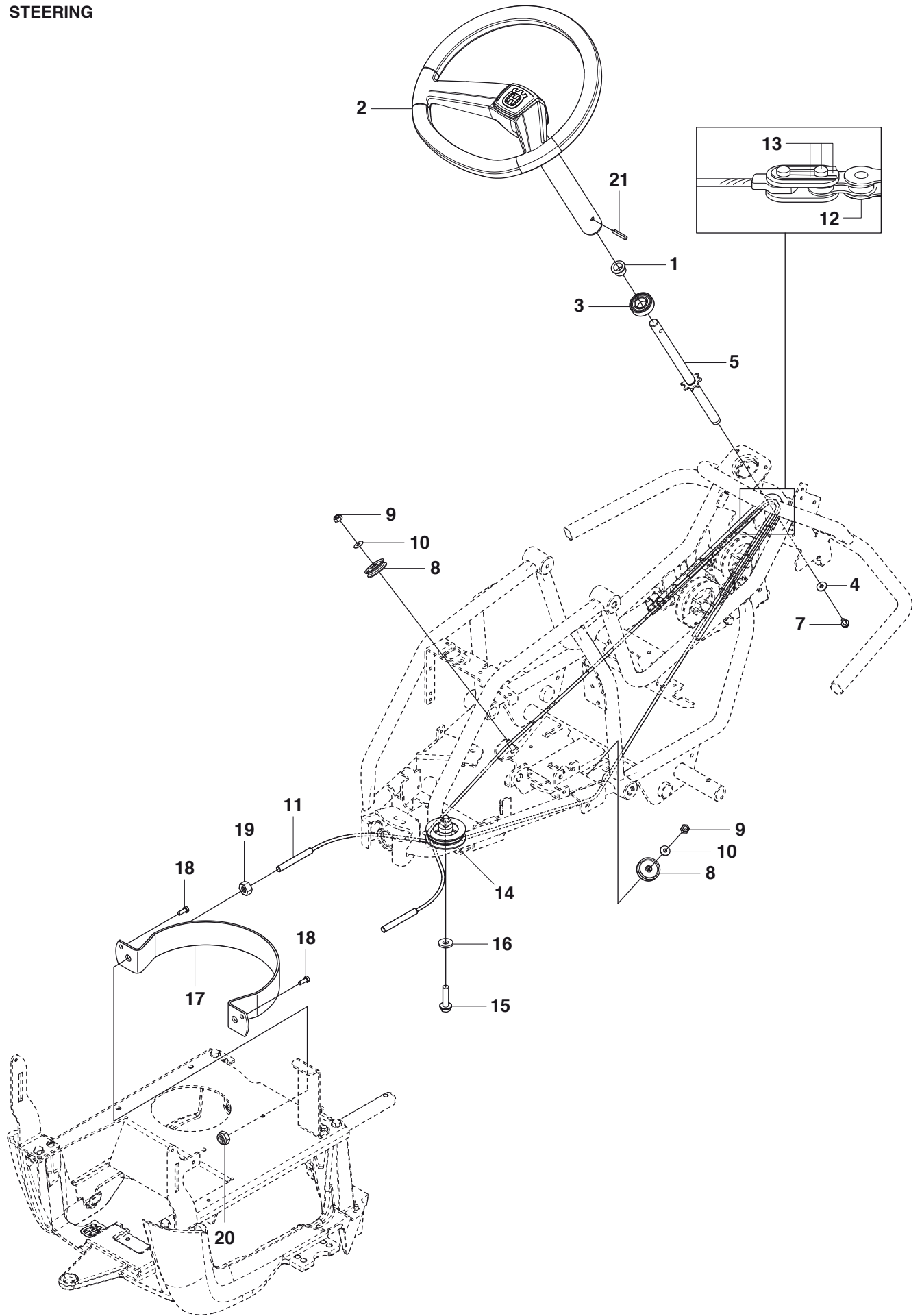
ENGINE



Page E R115B ENGINE

Position	Article	Quantity	Notes	Kit
1	580 37 50-01	1	ENGINE	
2	580 73 55-01	1	MUFFLER ASSY	
3	580 37 66-01	1	MANIFOLD	
4	580 54 11-02	1	FUEL TANK	
6	504 80 00-13	1	FUEL HOSE	
7	535 46 97-01	2	HOSE BRACE	
8	532 43 96-45	1	CAP	
9	506 55 63-01	2	SCREW UNC	
10	732 21 18-01	4	LOCK NUT	
11	734 11 64-01	3	WASHER	
12	725 24 57-51	4	SCREW	
13	735 21 64-00	1	LOCK WASHER	
14	544 40 04-01	2	SCREW	
15	735 21 64-00	3	LOCK WASHER	
16	506 66 84-01	1	AVGASKLAMMA KPL.	
17	725 23 64-61	2	SCREW EHHFT	
18	506 91 45-01	1	GASKET	
20	522 82 76-01	1	PULLEY	
21	506 50 92-02	2		
22	574 41 20-02	1		
23	506 59 75-01	1		
24	506 55 60-02	1		
25	506 55 59-02	1		

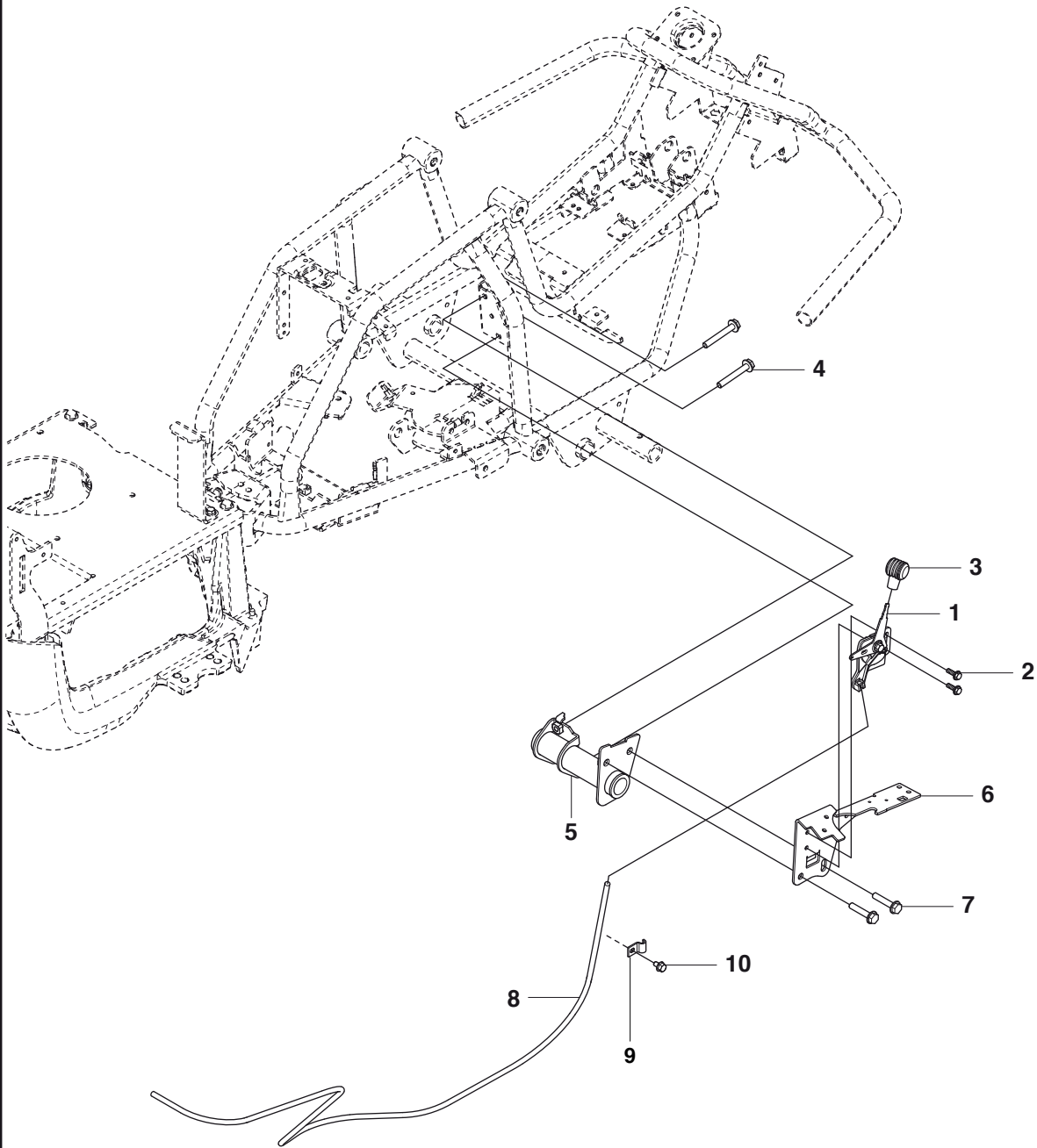
STEERING



Page F R115B STEERING

Position	Article	Quantity	Notes	Kit
1	506 88 78-01	1	SPACER	
2	581 19 37-01	1	STEERING SYSTEM	
3	738 21 04-04	1	BALL BEARING	
4	734 11 54-41	1	WASHER	
5	575 63 24-01	1	STEERING ROD	
7	535 47 52-12	1	SCREW EHHFM	
8	581 15 82-01	2	PULLEY	
9	732 21 18-01	2	LOCK NUT	
10	734 11 64-01	2	WASHER	
11	577 19 99-01	2	WIRE ASSY	
12	506 55 46-01	1	CHAIN	
13	506 55 47-01	2	LINKAGE	
14	576 49 25-02	1	PULLEY	
15	506 67 54-02	1	SCREW EHHFM	
16	734 11 74-41	1	WASHER	
17	525 40 43-01	1	GUIDE RAIL	
18	725 23 68-61	2	SCREW EHHFT	
19	731 23 20-51	2	HEXAGON NUT	
20	732 21 20-51	2	NUT	
21	721 43 47-01	1	SPRING PIN	

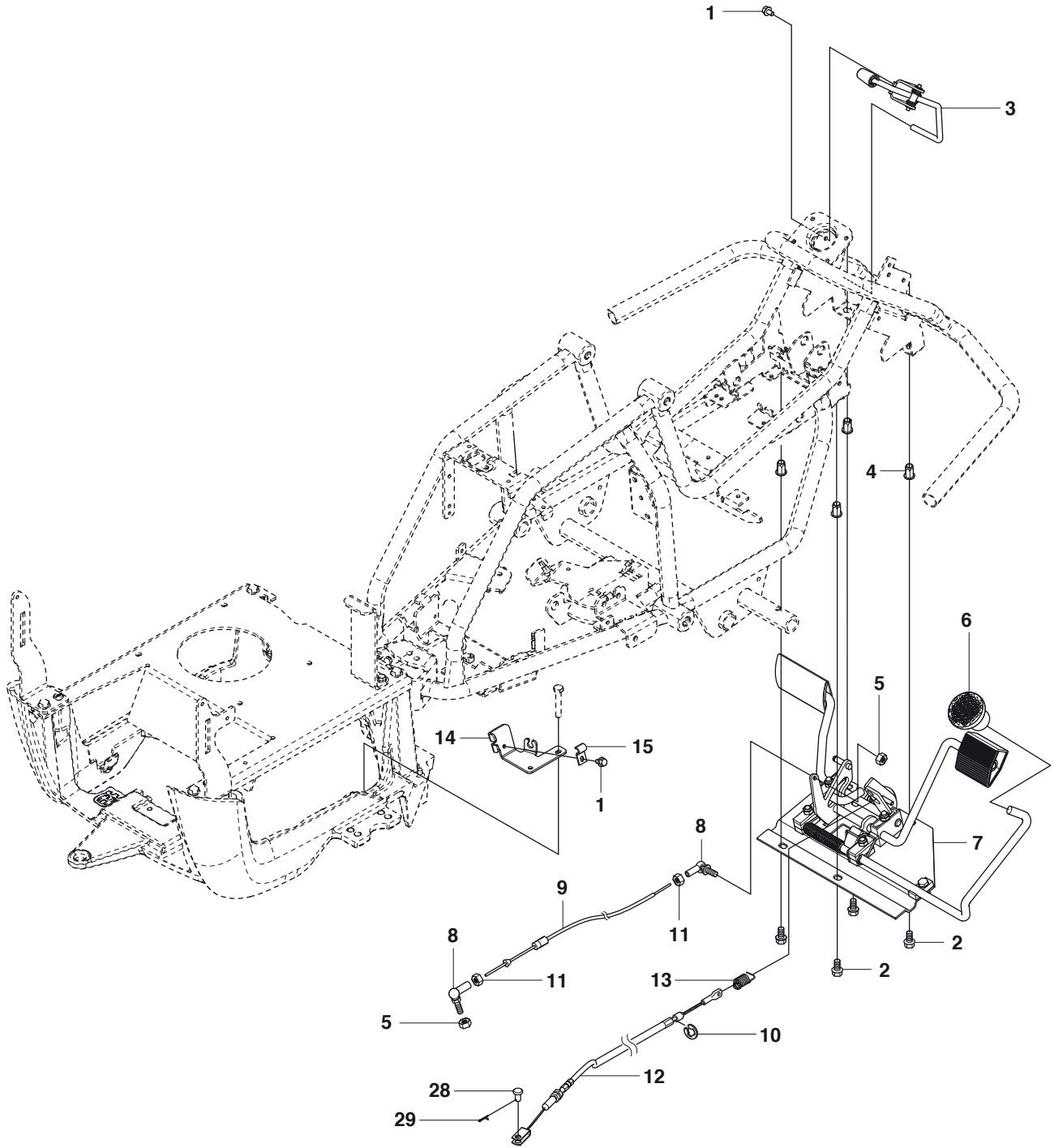
CONTROLS - 1



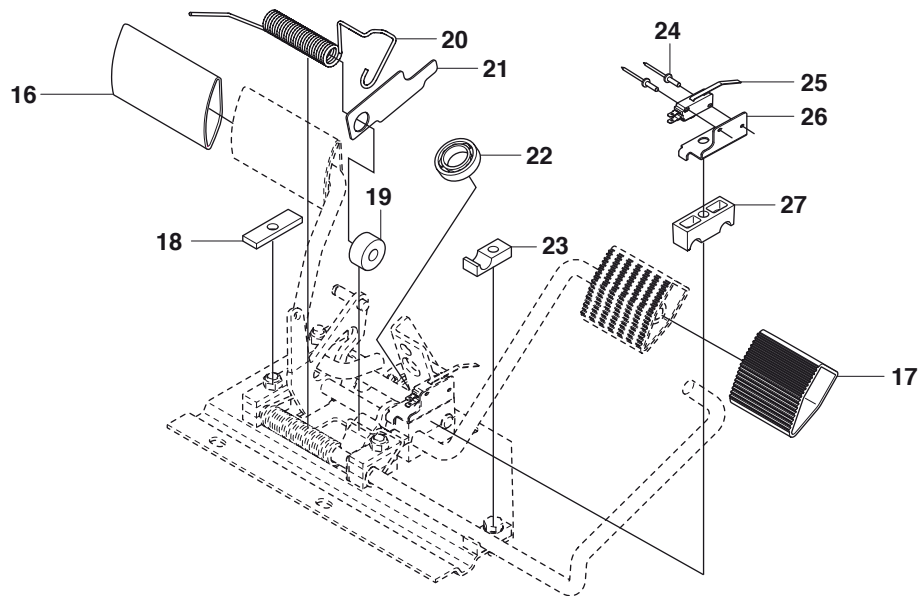
Page G1 R115B CONTROLS

Position	Article	Quantity	Notes	Kit
1	522 50 59-01	1	THROTTLE CONTROL	
2	506 57 01-03	2	SCREW EHHFM	
3	506 88 91-01	1	KNOB	
4	725 24 60-71	2	SCREW	
5	574 36 97-01	1	BRACKET	
6	575 24 03-01	1	SHEET	
7	506 57 01-04	2	SCREW	
8	544 30 17-04	1	WIRE	
9	506 56 65-01	1	CLIP	
10	725 23 64-61	1	SCREW EHHF	

CONTROLS - 2

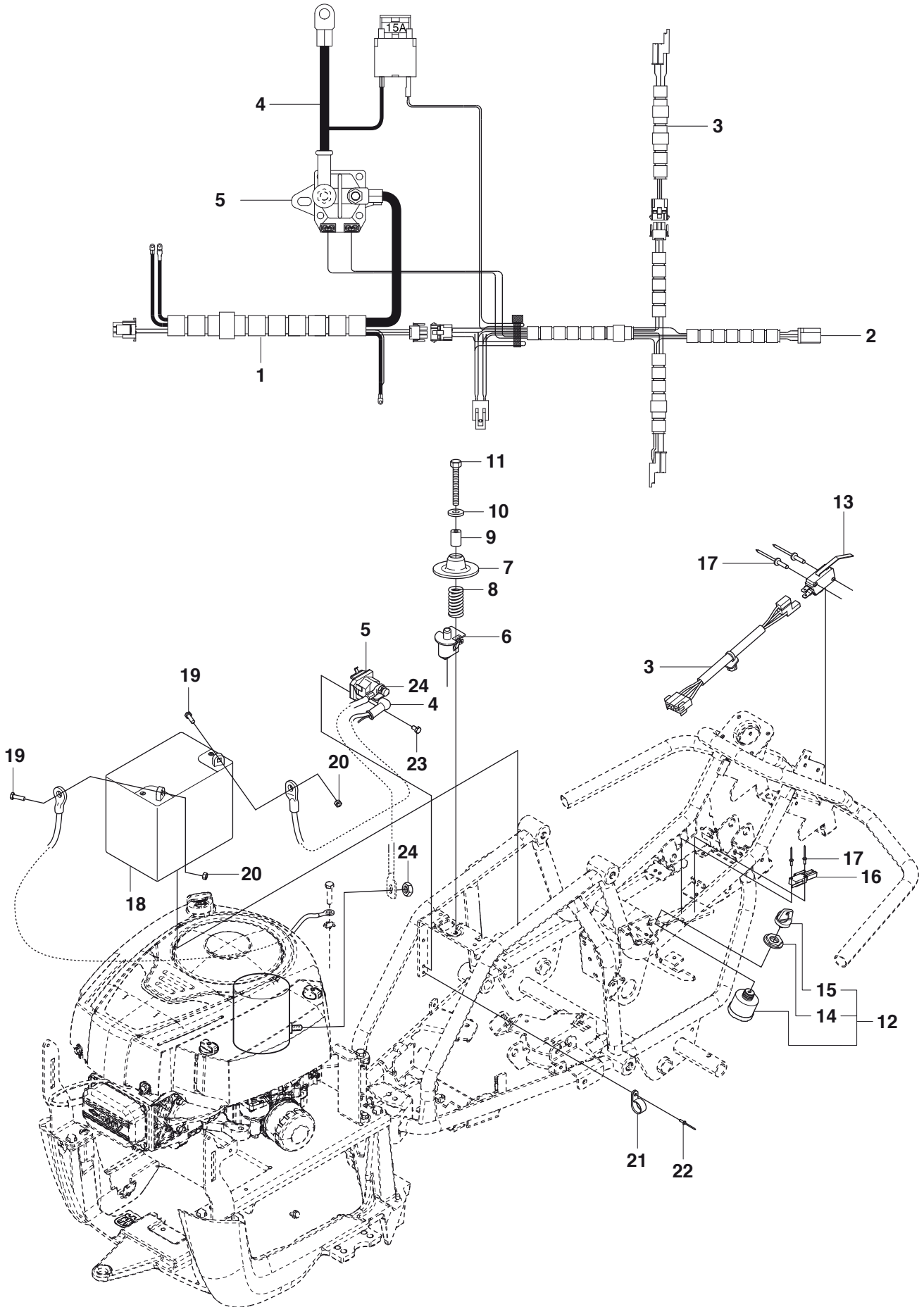


PEDALS



Position	Article	Quantity	Notes	Kit
1	725 23 64-61	7	SCREW EHHF	
2	506 57 01-03	5	SCREW EHHFM	
3	523 34 60-01	1	LOCKING LEVER	
4	506 91 62-01	4	BLIND RIVET NUT	
5	731 23 14-01	2	NUT	
6	535 47 37-01	1	KNOB	
7	544 12 60-01	1	PEDAL PLATE ASSY	
8	506 55 73-01	2	VINKELL.AS8 DIN71802	
9	574 41 11-05	1	CONTROL CABLE	
10	735 31 09-20	1	E-CLIP	
11	732 21 14-01	2	LOCK NUT	
12	578 36 06-02	1	BRAKE WIRE	
13	575 35 52-01	1	SPRING	
14	522 82 31-01	1	WIRE HOLDER	
15	506 56 65-01	2	CLIP	
16	535 47 88-02	1	PEDAL RUBBER	
17	535 47 88-01	1	PEDAL RUBBER	
18	535 48 10-01	3	REINFORCEMENT PLATE	
19	535 48 02-01	1	ROLLER	
20	535 48 07-01	1	SPRING	
21	535 48 06-01	1	PROTECTIVE PLATE	
22	738 21 02-04	1	BALL BEARING	
23	535 48 09-01	5	BEARING SUPPORT	
24	544 44 07-01	2	RIVET	
25	574 31 61-01	1	SWITCH	
26	544 41 57-01	1	BRACKET	
27	535 48 08-01	4	BEARING SUPPORT	
28	506 66 88-01	1	SPRING COTTER	
29	721 83 99-01	1	CLEVIS PIN	

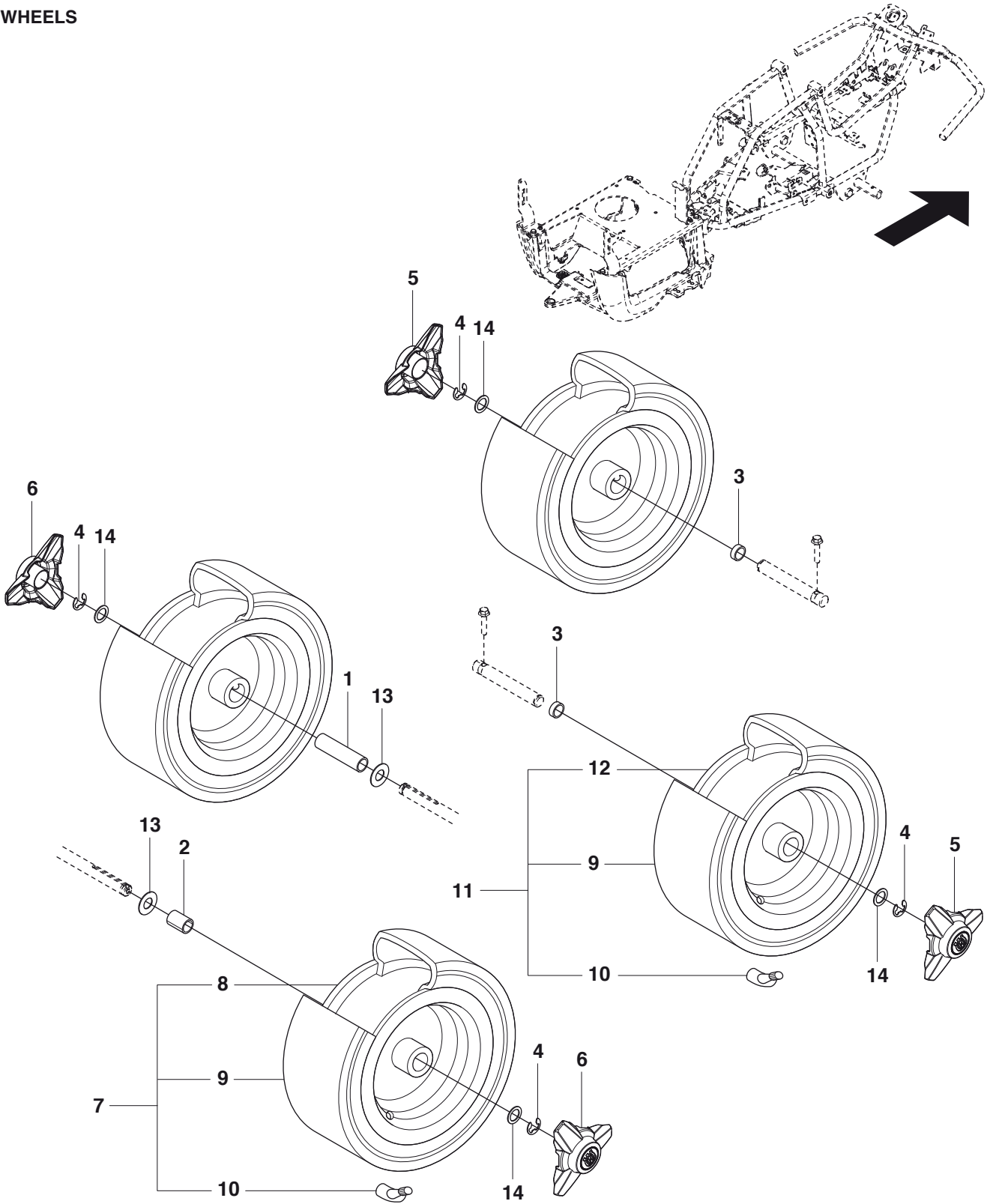
ELECTRICAL



Page H R115B ELECTRICAL

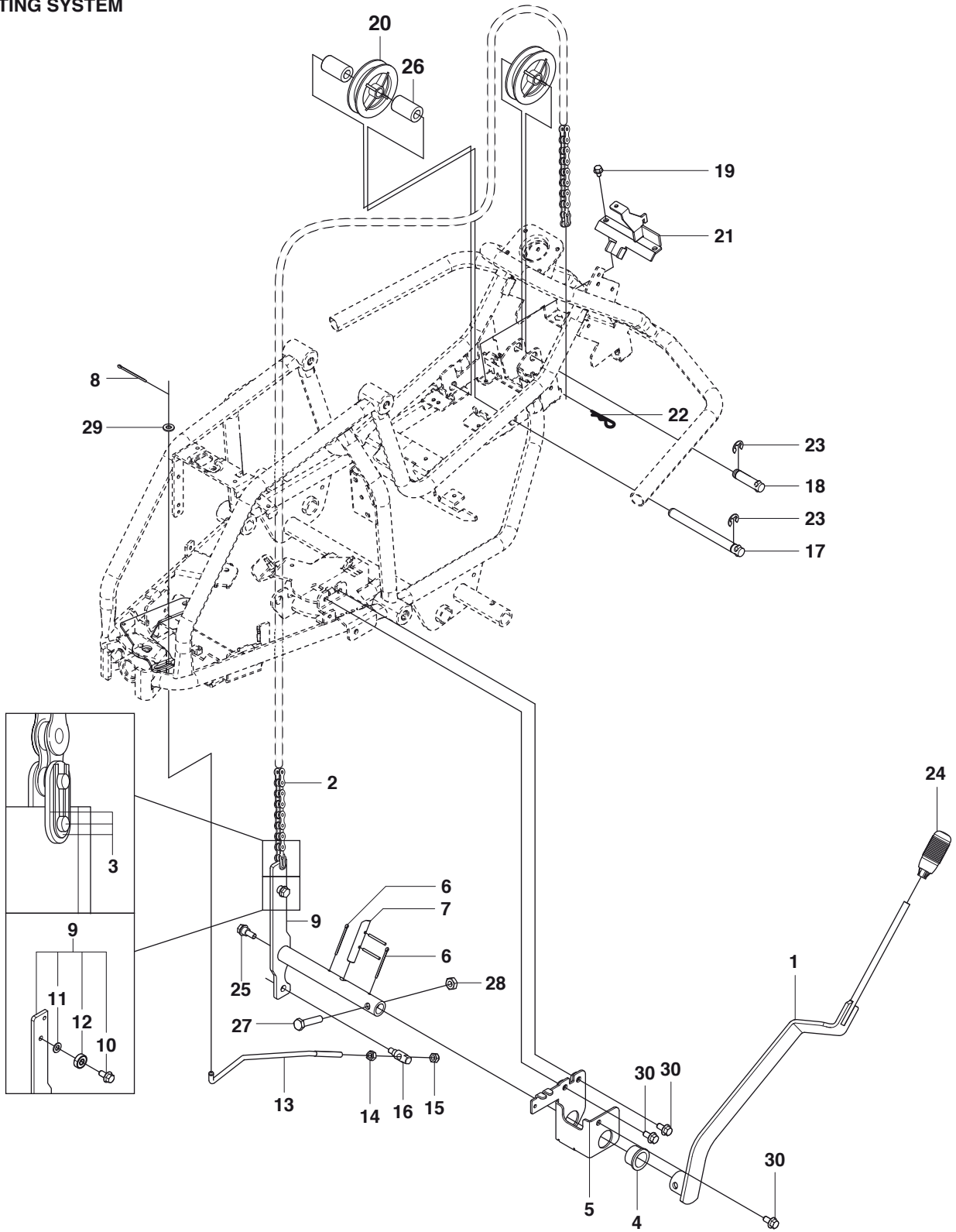
Position	Article	Quantity	Notes	Kit
1	580 35 51-01	1	WIRING	
2	580 35 50-01	1	WIRING	
3	574 26 96-01	1	WIRING	
4	574 26 98-01	1	CABLE	
5	544 43 98-01	1	RELAY	
6	506 90 96-01	1	SWITCH	
7	506 90 97-01	1	SPRING WASHER	
8	544 44 12-01	1	SPRING	
9	506 90 99-02	1	SPACER TUBE	
10	734 11 64-01	1	WASHER	
11	725 24 60-51	1	SCREW EHHM	
12	544 44 22-01	1	IGNITION SWITCH	
13	544 41 59-01	1	SWITCH	
14	544 44 23-01	1	NUT	
15	544 44 24-01	1	IGNITION KEY	
16	574 31 61-01	1	SWITCH	
17	544 44 07-01	2	RIVET	
18	577 04 16-01	1	BATTERY	
19	522 62 21-01	2	SCREW EHHM	
20	522 62 43-01	2	NUT	
21	575 26 99-01	1	CABLE CLAMP	
22	722 79 54-02	1	RIVET	
23	725 23 64-61	1	SCREW EHHFT	
24	506 89 98-01	3	NUT	

WHEELS



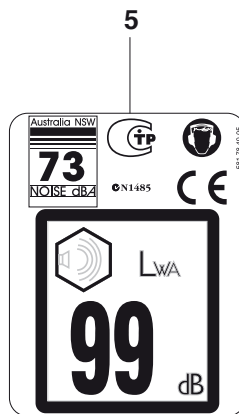
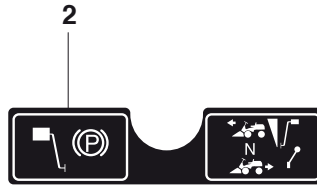
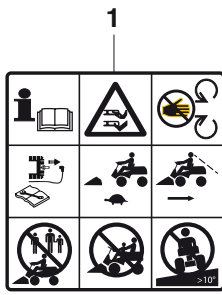
Page J R115B WHEELS & TIRES				
Position	Article	Quantity	Notes	Kit
1	506 59 62-11	1	SPACING SLEEVE	
2	506 59 62-03	1	SPACING SLEEVE	
3	580 40 89-01	2	SPACING SLEEVE	
4	506 89 90-01	4	E-CLIP	
5	544 35 35-02	2	HUB CAP	
6	544 35 35-01	2	HUB CAP	
7	523 01 26-02	2	WHEEL	
8	523 03 48-01	1	RIM	7
9	523 03 46-02	1	TYRE	7, 11
10	523 03 47-01	1	VALVE	7, 11
11	523 01 22-02	2	WHEEL	
12	523 03 45-01	1	RIM	11
13	506 50 48-03	2	WASHER	
14	506 50 48-05	4	WASHER	

LIFTING SYSTEM



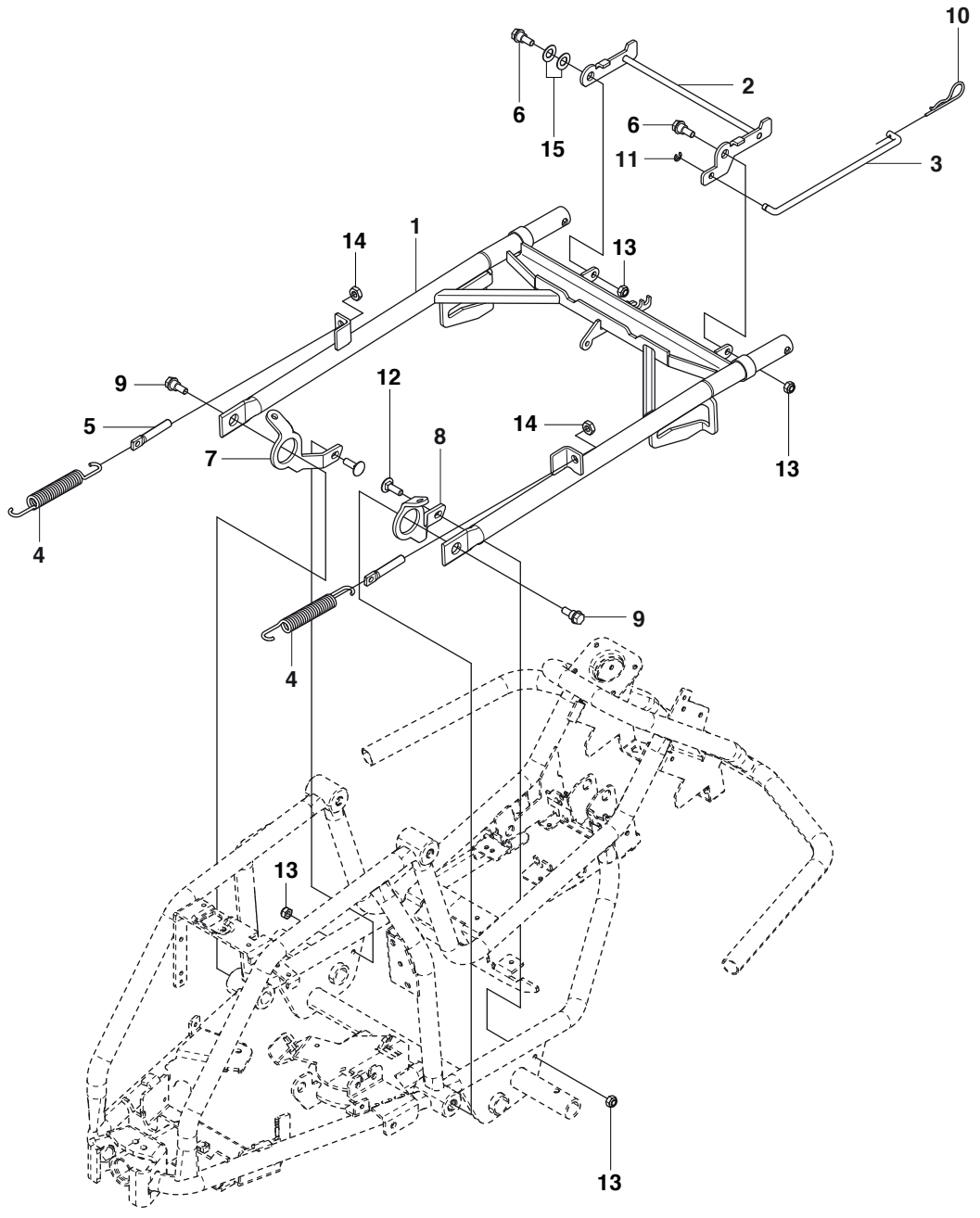
Position	Article	Quantity	Notes	Kit
1	580 38 90-01	1	LEVER ASSY	
2	506 55 46-06	1	CHAIN	
3	506 55 47-01	1	LINKAGE	
4	506 55 65-01	1	BEARING	
5	525 40 47-01	1	BRACKET ASSY	
6	721 61 87-01	1	SPLIT PIN	
7	525 40 66-01	1	PIN	
8	721 61 83-01	1	SPLIT PIN	
9	581 54 58-01	1	LEVER ASSY	
10	506 57 01-05	1	SCREW EHHFT	
11	734 11 63-01	1	WASHER	
12	738 21 98-04	1	BALL BEARING	
13	522 56 01-01	1	ROD	
14	731 23 18-01	1	HEXAGON NUT	
15	732 21 18-01	1	LOCK NUT	
16	525 49 13-01	1	JOINT	
17	525 40 44-01	1	SHAFT	
18	525 40 45-01	1	SHAFT	
19	725 23 64-61	2	SCREW EHHFT	
20	506 90 56-01	2	OFFSET PULLEY	
21	574 31 58-01	1	BRACKET	
22	721 68 02-51	1	SPRING COTTER	
23	735 31 18-20	2	E-CLIP	
24	506 54 20-01	1	HANDLE	
25	506 59 74-01	1	COLLAR SCREW	
26	576 46 82-01	2	SLEEVE	
27	725 25 00-51	1	SCREW EHHM	
28	732 21 20-51	1	NUT	
29	734 11 64-01	1	WASHER	
30	506 57 01-03	3	SCREW EHHFM	

DECALS



Page L R115B DECALS				
Position	Article	Quantity	Notes	Kit
1	574 85 48-02	1	DECAL	
2	574 85 46-01	1	DECAL	
3	575 22 27-01	1	DECAL	
4	581 04 82-02	1	DECAL	
5	581 78 40-05	1	DECAL	

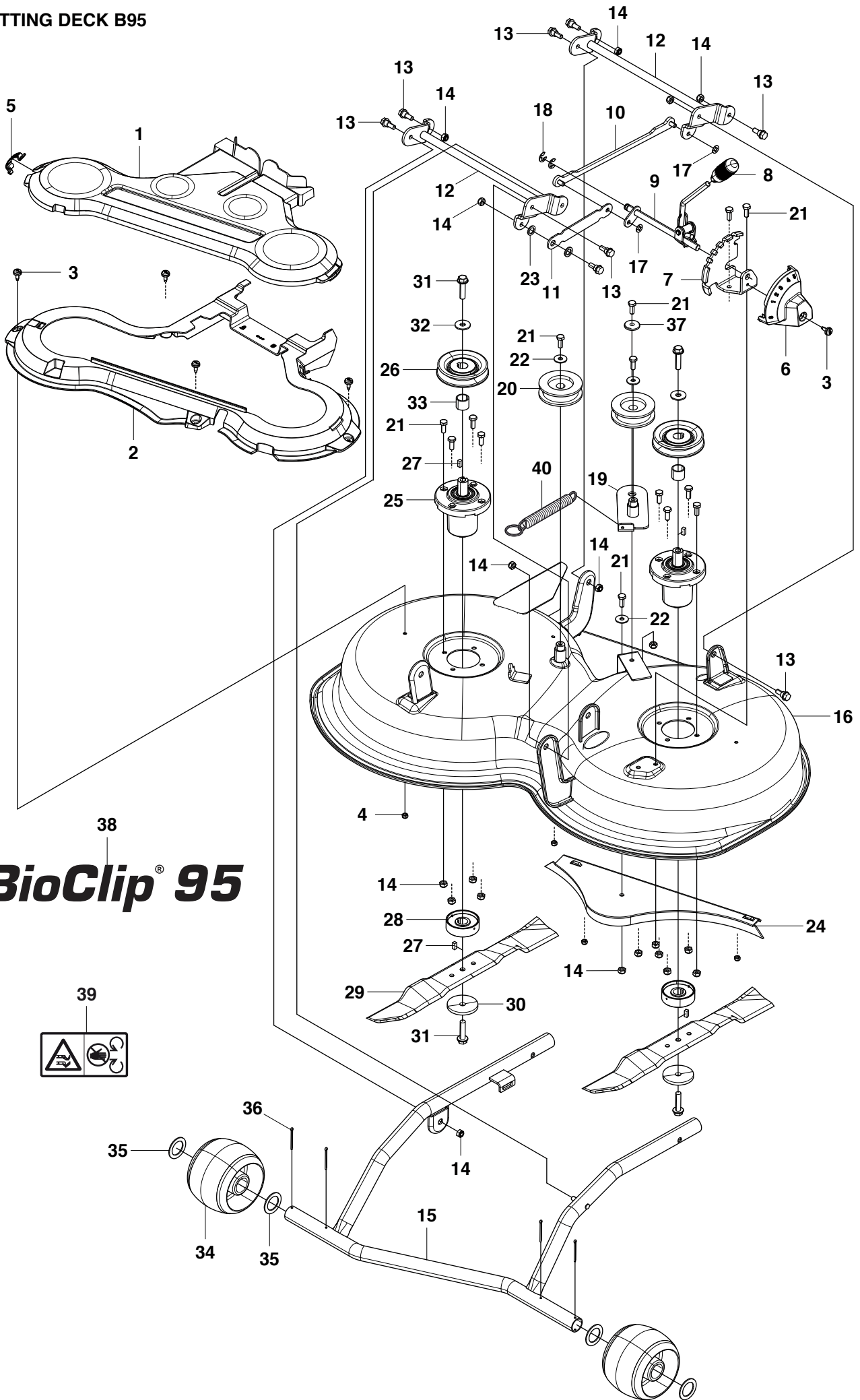
EQUIPMENT FRAME



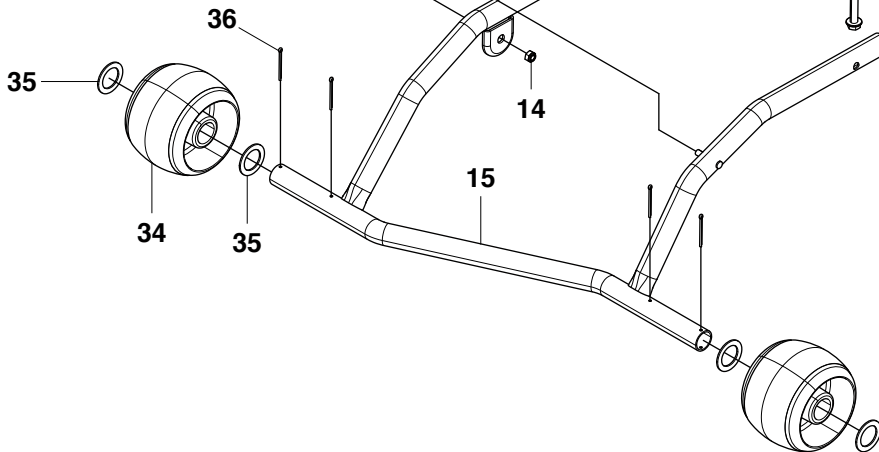
Page M R115B EQUIPMENT FRAME

Position	Article	Quantity	Notes	Kit
1	580 37 94-01	1	EQUIPMENT FRAME ASSY	
2	580 90 24-01	1	LOCK	
3	580 90 29-01	1	ROD	
4	580 47 23-01	2	SPRING	
5	580 48 06-01	2	SCREW	
6	506 89 58-01	2	COLLAR SCREW	
7	580 47 21-01	1	BRACKET	
8	580 47 21-02	1	BRACKET	
9	506 59 74-01	2	COLLAR SCREW	
10	721 68 02-51	1	SPRING COTTER	
11	735 31 10-20	1	E-CLIP	
12	535 42 38-01	2	SCREW RSQM	
13	732 21 18-01	4	LOCK NUT	
14	731 23 20-01	2	HEXAGON NUT	
15	506 83 94-01	2	SPRING WASHER	

CUTTING DECK B95



BioClip® 95



Position	Article	Quantity	Notes	Kit
1	580 52 65-01	1	COVER CUTTING DECK UPPER	
2	580 52 64-01	1	COVER CUTTING DECK LOVER	
3	544 40 05-01	5	SCREW M6	
4	732 21 16-01	4	NUT, M6-8.8 LOCK	
5	503 89 47-01	1	SNAP	
6	573 97 18-01	1	COVER HEIGHT ADJUSTMENT	
7	522 52 32-01	1	BRACKET HEIGHT ADJUST	
8	574 32 88-01	1	HANDLE	
9	575 80 21-01	1	LEVER ASSY	
10	581 19 60-01	1	LIFTING ARM	
11	581 05 26-01	1	ARM	
12	522 45 09-01	2	CROSS BAR CPL.	
13	506 59 74-01	8	SCREW	
14	732 21 18-01	20	NUT, M8-8.8 LOCK	
15	580 39 64-01	1	EQUIPMENT FRAME FRONT	
16	580 39 01-01	1	CUTTING DECK ASSEMBLY	
17	735 58 52-01	2	LOCK WASHER	
18	735 31 15-20	2	CIRCLIP	
19	580 39 69-01	1	BELT TENSIONER B95	
20	506 79 32-02	2	BELT TENSIONER WHEEL	
21	725 24 51-71	14	SCREW EHHM, M8X20	
22	734 11 64-41	3	WASHER	
23	734 11 77-71	2	WASHER	
24	580 39 71-01	1	PLUG ASSEMBLY B95	
25	573 96 86-01	2	BEARING HOUSING ASSY	
26	506 92 21-01	2	PULLEY SPA DP90	
27	506 53 35-01	4	PARALLEL KEY	
28	573 96 61-01	2	ADAPTER	
29	580 39 74-01	2	BLADE B95, LENGTH 471.2	
30	506 79 23-03	2	KNIFE PLATE	
31	506 67 54-02	4	SCREW	
32	734 11 74-41	2	WASHER	
33	580 39 75-01	2	DISTANCE BEARINGHOUSE B95	
34	522 73 59-01	2	WHEEL	
35	574 26 45-01	4	WASHER SPACER	
36	721 61 87-01	4	PIN	
37	506 91 87-02	1	ANSATSBRICKA	
38	574 84 97-02	1	DECAL	
39	574 51 00-01	2	LABEL	
40	506 97 68-01	1	SPRING	