

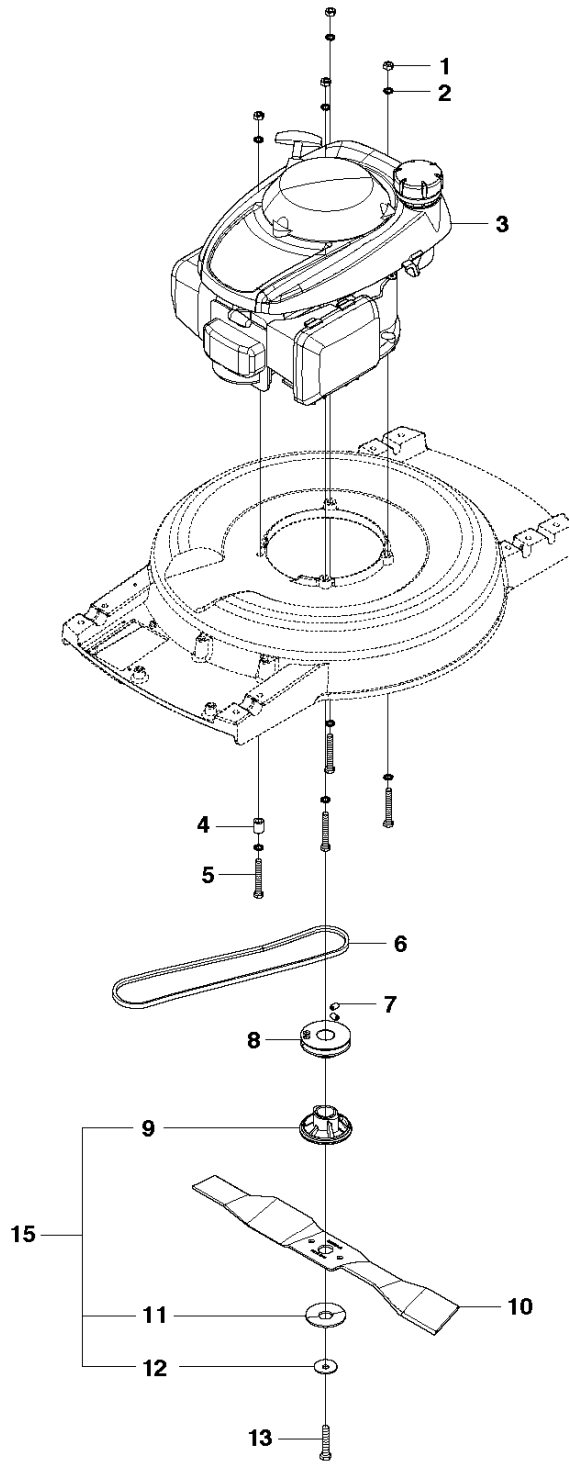


# SPARE PARTS LIST

LAWN MOWERS: COMMERCIAL  
WALK-BEHINDS

M53 S PRO, 967174801, 2013-02

**C** M53S Pro  
ENGINE

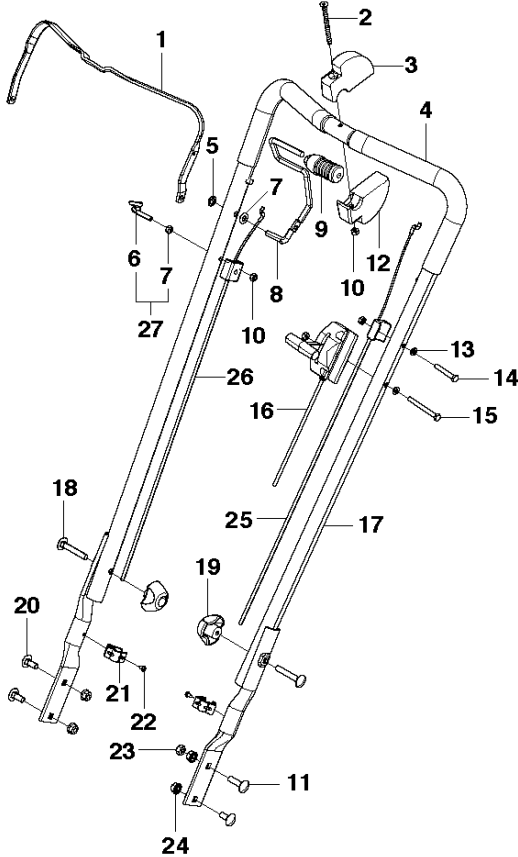


## ENGINE

M53 S PRO, 967174801, 2013-02

Ref	Part no.	Description	Remark	Qty	Kit
1	731 23 18-01	HEXAGON NUT		4	
2	735 21 64-01	LOCK WASHER		8	
3	.	TBD	GCV 160 E A3-HV-SD	1	
4	295 66 06-01	SPACER		1	
5	725 24 63-51	SCREW EHHM		4	
6	295 67 30-01	V-BELT	Kit: 5310092-60 (Belt with shell)	1	
7	505 39 03-01	SCREW IHSETM		2	
8	295 66 89-01	PULLEY		1	
9	295 68 82-01	BLADE SUPPORT		1	15
10	295 67 32-01	MOWER BLADE	Kit: 531 00 92-54 (Blade with box)	1	
11	295 67 44-01	SPRING		1	15
12	295 68 85-01	WASHER		1	15
13	295 67 46-02	BOLT		1	
14	577 67 03-05	DECAL		1	
15	531 00 92-73	KNIFE KIT		1	

**B** M53S Pro  
HANDLE

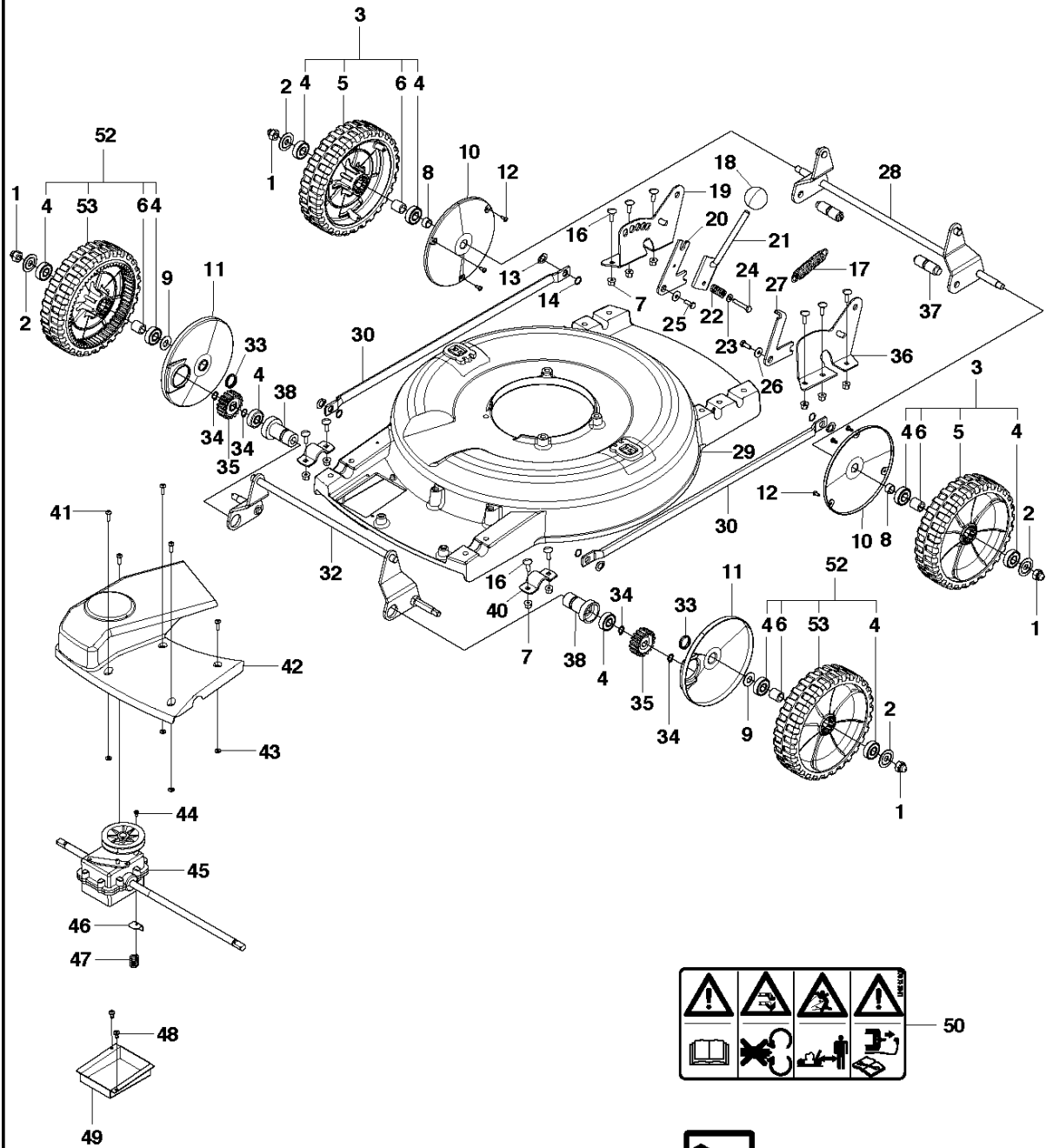


## HANDLE

M53 S PRO, 967174801, 2013-02

Ref	Part no.	Description	Remark	Qty	Kit
1	295 71 40-01	BAIL		1	
2	579 69 88-01	SCREW IHCSFM		1	
3	295 66 15-02	WEIGHT		1	
4	295 66 75-01	TUBE		2	
5	295 68 05-01	WASHER		1	
6	531 20 51-69	PIN RETAINING SCREW		1	27
7	731 23 16-01	HEXAGON NUT		1	27
8	295 68 80-01	LEVER		1	
9	295 67 51-01	KNOB		1	
10	732 25 16-01	HEXAGON LOCKING NUT		4	
11	727 64 55-01	SCREW RSQM		1	
12	295 66 15-01	WEIGHT		1	
13	734 11 53-01	WASHER		2	
14	725 23 78-51	SCREW EHHM		1	
15	725 23 82-51	SCREW EHHM		1	
16	295 67 40-01	THROTTLE CONTROL	Kit: 5310092-56	1	
17	295 66 00-01	HANDLE		1	
18	727 64 61-01	SCREW RSQM		2	
19	295 67 82-01	HANDLE		2	
20	727 64 51-01	SCREW RSQM		3	
21	295 68 18-01	HOLDER		2	
22	729 53 40-01	SCREW CRPANT		2	
23	732 25 18-01	HEXAGON LOCKING NUT		1	
24	578 37 26-01	HEXAGON FLANGE NUT		4	
25	295 67 39-01	CABLE		1	
26	295 67 38-02	DRIVE CONTROL		1	
27	581 55 11-01	STARTER ROPE GUIDE		1	

**A** M53S Pro  
DECK



## MOWER DECK / CUTTING DECK

M53 S PRO, 967174801, 2013-02

Ref	Part no.	Description	Remark	Qty	Kit
1	295 67 71-05	NUT		4	
2	295 66 67-01	WASHER		4	
3	295 66 71-04	WHEEL		2	
4	295 67 42-01	BALL BEARING	6201 2RS/C3	10	3, 52
5	295 68 87-04	WHEEL ASSY		2	3
6	295 66 72-01	SPACER		4	3, 52
7	295 68 04-03	LOCKING NUT		10	
8	295 66 62-01	SPACER		2	
9	295 67 52-01	SPACER WASHER		2	
10	295 66 73-01	SHIELD		2	
11	295 66 93-02	SHIELD	Valid to S/N 20131900066	2	
11	579 58 06-01	SHIELD	Valid from S/N 20131900067	2	
12	729 57 74-01	SCREW CRPANT		6	
13	295 67 74-01	RING		4	
14	740 42 10-00	O-RING		4	
16	727 63 72-51	SCREW RSQM		10	
17	295 67 43-01	SPRING		1	
18	295 67 81-01	BALL		1	
19	580 37 18-01	INDEX PLATE		1	
20	295 66 18-01	LINK ARM		1	
21	295 66 16-01	LEVER ASSY		1	
22	295 61 36-01	SPRING		1	
23	734 11 56-01	WASHER		1	
24	725 23 76-51	SCREW EHHM		1	
25	725 23 68-01	SCREW		2	
26	734 11 54-41	WASHER		2	
27	295 66 77-01	LEVER		1	
28	295 66 09-01	AXLE ASSY		1	
29	295 65 90-01	CHASSIS		1	
30	295 66 03-01	ROD		2	
32	295 66 10-01	AXLE ASSY	Valid to S/N 20131900066	1	
32	579 58 11-01	AXLE	Valid from S/N 20131900067	1	
33	295 67 87-02	SPRING		2	
34	735 31 14-01	CIRCLIP		4	
35	295 66 69-01	PINION		2	
36	580 37 17-01	HANDLE SUPPORT		1	
37	295 65 96-01	SHAFT		2	
38	295 65 97-01	SHAFT	Valid to S/N 20131900066	2	
38	579 58 10-01	SHAFT	Valid from S/N 20131900067	2	
40	295 66 17-01	HOLDER		2	
41	504 46 70-01	SCREW ITXPANM		5	
42	295 66 92-01	FRONT COVER		1	
43	575 88 48-01	WASHER		4	
44	729 53 40-01	SCREW CRPANT		1	
45	295 65 93-01	GEAR BOX	Valid to S/N 20131900066	1	
45	579 58 08-01	GEAR BOX	Valid from S/N 20131900067	1	
46	295 67 89-01	BRACKET		1	
47	295 67 48-01	SPRING		1	
48	502 43 52-01	SCREW ITXPANTT		2	
49	295 66 74-01	CUP		1	
50	579 73 39-01	DECAL		1	
51	520 29 05-02	LABEL		1	
52	295 66 70-04	WHEEL		2	
53	295 68 86-04	WHEEL ASSY		2	52