

**IPL, R 147 SP, 2013-02, V060000003**

**967208301**

# **R 147 SP**

**Spare parts**

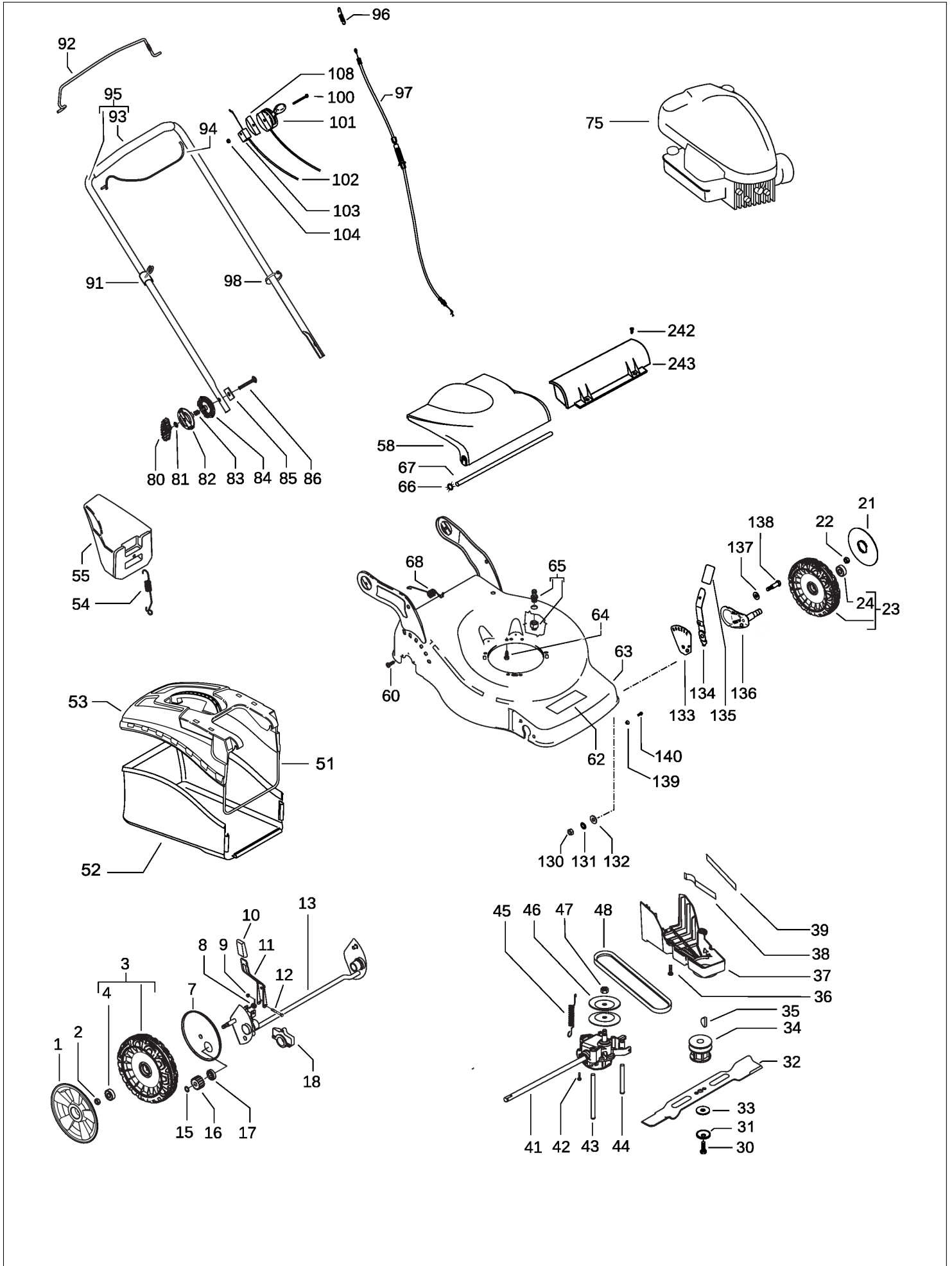
**Ersatzteile**

**Pièces détachées**

**Reserve onderdelen**

**Repuestos**

**Reservdelar**



Item	PN	Description	Qty
1	544 44 39-01	wheel cover Ø210	2
2	504 85 78-01	nut M8, self locking, flanged	2
3	544 91 69-01	wheel assy Ø210	2
4	531 20 87-78	ball bearing	4
7	504 82 73-01	dust shield Ø210	2
8	583 95 13-02	spring, wheel regulator lever	1
9	531 20 84-92	nut M5, self locking	1
10	574 61 05-01	handle, wheel regulator	1
11	581 17 86-01	wheel regulator lever	1
12	538 23 58-07	screw M5x45	1
13	504 80 01-01	rear axle	1
15	531 20 87-72	seeger	2
16	544 34 23-01	gear	2
17	531 20 87-78	ball bearing	2
18	531 20 59-44	rear axle housing	2
21	544 44 40-01	wheel cover Ø190	1
22	504 85 78-01	nut M8, self locking, flanged	2
23	544 91 73-01	wheel assy Ø190	2
24	531 20 87-78	ball bearing	4
30	531 20 80-08	screw, 3/8"	1
31	531 20 72-37	spring washer	1
32	531 21 10-17	mulching blade	1
33	531 20 72-43	washer	1
34	581 84 30-01	blade support	1
35	505 29 09-01	key	1
36	531 20 78-56	screw 5x10	3
37	544 46 22-01	belt cover	1
38	504 04 61-01	belt guide	1
39	544 46 25-01	belt guide	1
41	544 34 32-03	gear box	1
42	510 03 75-01	screw 4x12, self threading	2
43	544 93 44-01	belt guide	1
44	544 93 43-01	belt guide	1
45	544 93 47-01	gear box spring	1
46	504 54 79-01	pulley plate	2
47	504 54 80-01	nut	2
48	504 03 48-01	belt Z28 10X710	1
51	574 86 94-01	sack frame	1
52	574 86 96-01	sack	1
53	574 61 03-01	hard top	1
54	522 85 77-01	spring, mulching plug	1
55	531 21 06-17	mulching plug	1
58	574 61 02-01	safety flap	1
60	531 20 66-77	screw 4,8x19, self threading	2
62	531 21 24-78	label, Husqvarna	1
63	531 21 38-97	deck	1
64	531 21 28-51	screw 3/8" + split washer	3
65	531 20 58-48	snap on connector 1/2"	1

Item	PN	Description	Qty
66	531 20 76-57	star lock washer	2
67	531 21 14-41	safety flap bar	1
68	531 21 18-40	spring	1
75	——	engine, Briggs & Stratton, model number 126T026837H1	1
80	531 20 58-40	handle	2
81	531 20 49-22	washer	2
82	531 21 14-74	locking disc, outer	2
83	531 21 14-76	spring	2
84	531 21 14-73	locking disc, inner	2
85	531 21 15-81	plate	2
86	531 21 14-80	screw M8x55	2
91	578 39 93-01	starter cable guide	1
92	531 21 26-76	clutch lever	1
93	531 21 07-25	sheating	1
94	531 20 58-63	opc lever	1
95	581 78 30-02	handle w. sheating	1
96	531 21 05-73	spring, clutch	1
97	544 90 80-01	drive cable	1
98	531 20 55-81	binder	2
100	531 21 35-17	screw M6x80	1
101	504 86 82-01	accelerator lever and cable	1
102	531 21 35-22	brake cable	1
103	531 20 80-43	cable support	1
104	531 20 80-63	nut M6	1
108	504 86 82-02	plate	1
130	531 20 79-78	nut M10	2
131	531 20 89-74	washer	2
132	531 20 79-89	washer	2
133	576 55 50-01	bracket, wheel adj.	2
134	544 45 25-01	wheel regulator lever	2
135	574 61 05-01	handle, wheel regulator lever	2
136	504 85 14-01	wheels support	2
137	531 20 60-20	washer	2
138	531 20 49-12	screw M10	2
139	531 20 52-13	nut M5	2
140	531 20 72-70	screw M5	2
242	576 04 74-01	screw M5x16	2
243	579 30 09-01	grass seal	1