

Gasoline containing up to 10% ethanol (E10) is acceptable for use in this machine. The use of any gasoline exceeding 10% ethanol (E10) will void the product warranty.

Parts Manual

MZ5225 / 966690502



Please read the operator's manual carefully and make sure you understand the instructions before using the machine.

When you need spare parts or support in service questions, warranty issues, etc., please consult the following professional:

This manual belongs to the machine with the manufacturing number:	Engine	Transmission

Manufacturing Number

The machine's manufacturing number can be found on the printed plate affixed to the engine compartment.

Stated on the plate, from the top are:

- The machine's type designation (I.D.).
- The manufacturer's type number (Model).
- The machine's serial number (Serial no.)

Please have the type designation and serial number available when ordering spare parts.

The engine's manufacturing number is stamped on one of the valve covers.

The plate states:

- The engine's model.
- The engine's type.
- Code

Please have these available when ordering spare parts.

The wheel motors and hydrostatic pumps have a barcode decal affixed at the rear.

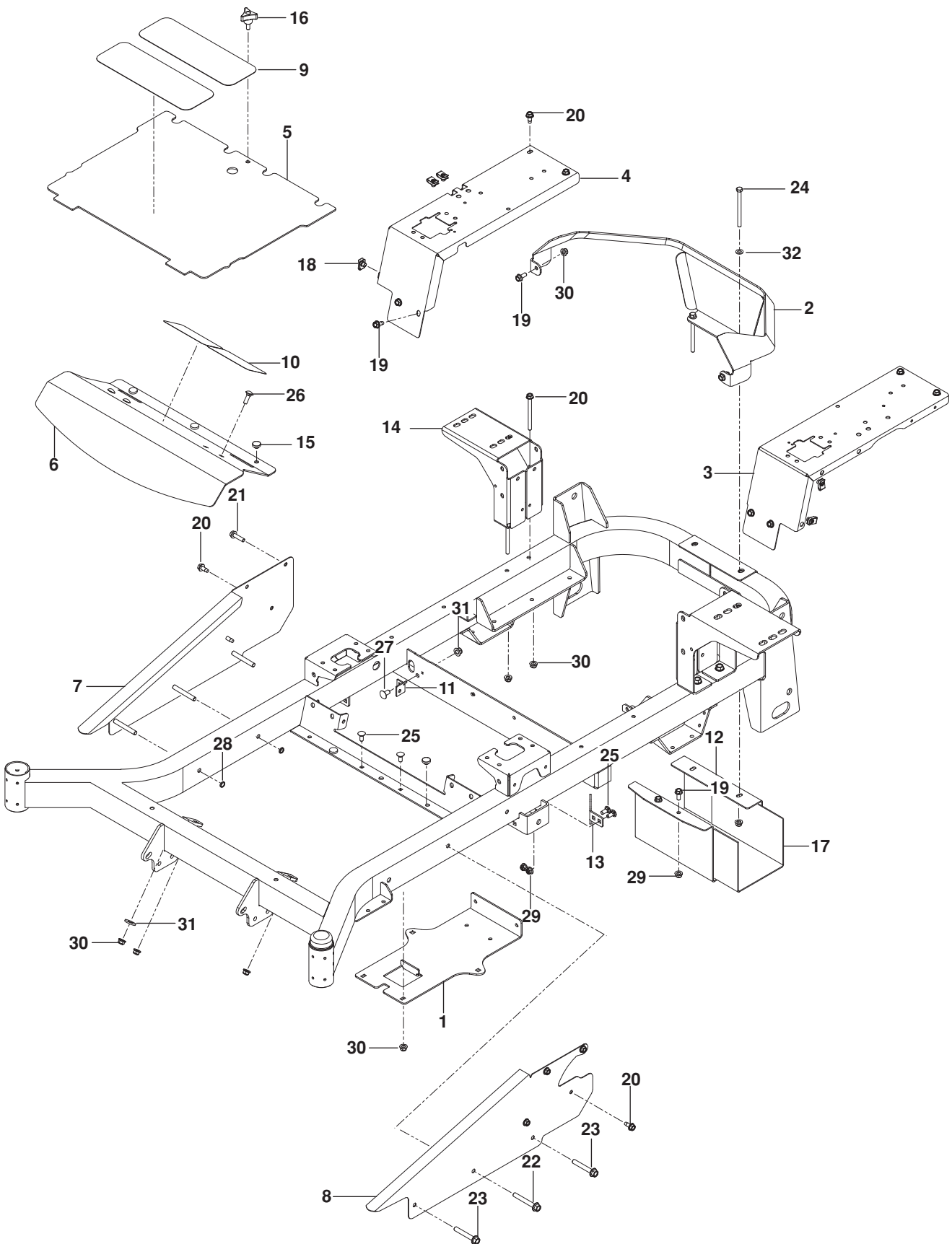
Accessories Available	
Collection System -----	966 793001
Mulch Kit -----	965 894001

CONTENTS

FRAME.....	4	SEAT	22
ENGINE PLATE.....	6	DECALS	24
STEERING	8	ACCESSORIES.....	26
IGNITION.....	10	Blower	26
PARKING BRAKE	12	Bagger	28
HYDRAULIC PUMP-MOTOR.....	14	Chutes.....	30
WHEELS	16	Guard, Mount and Belt.....	32
MOWER LIFT / DECK LIFT.....	18	Mulch Kit	34
MOWER DECK / CUTTING DECK	20		

NOTE: ALL FASTENERS ARE GRADE 5 UNLESS OTHERWISE SPECIFIED.

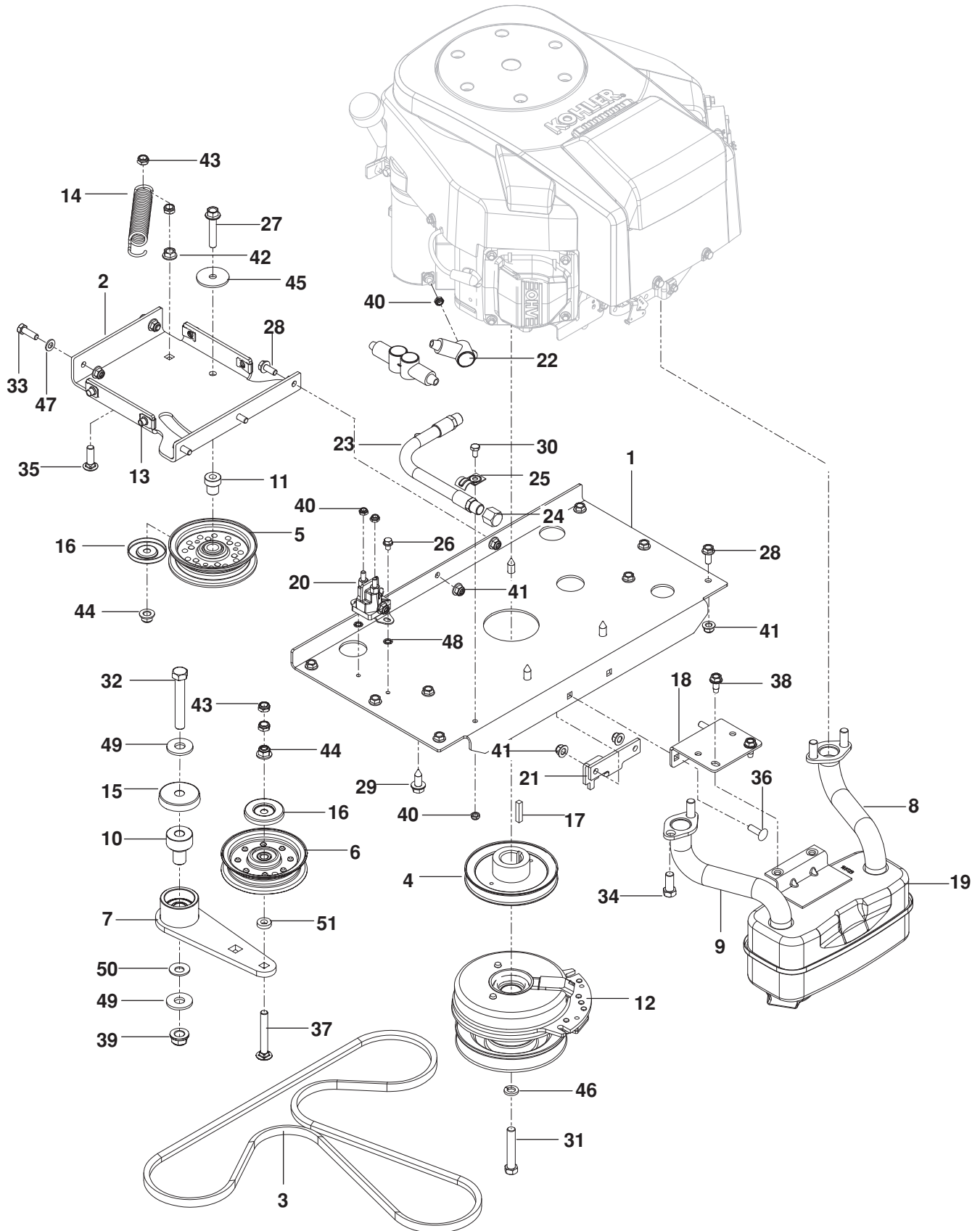
FRAME



FRAME

ITEM	PART NO.	QTY.	DESCRIPTION	ITEM	PART NO.	QTY.	DESCRIPTION
1..	575 017202....	1 PLATE, BATTERY, BLK	18..	539 104763....	8 RETAINER, U TYPE ⁵ / ₁₆ -18
2..	575 348402....	1 GUARD, REAR GRY	19..	525 464701..	20 HHFS ⁵ / ₁₆ -18 x ³ / ₄
3..	577 256802....	1 PANEL, LT ORG	20..	539 131780....	4 HHFS ⁵ / ₁₆ -18 x 3 ³ / ₄
4..	577 256902....	1 PANEL, RT ORG	21..	525 544001....	1 HHFS ⁵ / ₁₆ -18 x 1 ¹ / ₄ TPBLT
5..	539 132744....	1 PLATE w/ SAFTY DECAL ORG	22..	539 131781....	2 HHFS ³ / ₈ -16 x 2 ³ / ₄
6..	539 132380....	1 PLATE, FOOTREST ORG	23..	539 133006....	4 HHFS ³ / ₈ -16 x 2 ¹ / ₂
7..	539 131579....	1 SIDE, RT ORG	24..	539 102335....	2 HCS ⁵ / ₁₆ -18 x 4
8..	539 131577....	1 SIDE, LT ORG	25..	539 990316....	6 RHSNB ⁵ / ₁₆ -18 x ³ / ₄
9..	539 977778....	2 PAD, ABRASIVE LG	26..	539 990208....	3 RHSNB ⁵ / ₁₆ -18 x 1
10..	539 121322....	2 PAD, ABRASIVE SM	27..	539 109117....	2 RHSNB ³ / ₈ -16 x ³ / ₄
11..	575 245202....	2 BRACKET, DAMPENER	28..	539 200282....	6 NUT ³ / ₈ -16 HEX JAM NYLOC
12..	575 230402....	1 SHIELD, MUFFLER BLK	29..	539 112899....	6 NUT ⁵ / ₁₆ -18 HEX FLANGE NYL
13..	505 256401....	2 STOP, DECK	30..	521 996501....	4 NUT ³ / ₈ -16 HEX FLG NYLOC
14..	575 533602....	2 MOUNT, TANK BLK	31..	539 990250....	1 WASHER
15..	539 102587....	5 BUMPER	32..	539 990188....	2 WASHER ⁵ / ₁₆ SAE FLAT
16..	539 104411....	1 KNOB w/ STUD				
17..	539 132859....	1 SHIELD, HEAT				

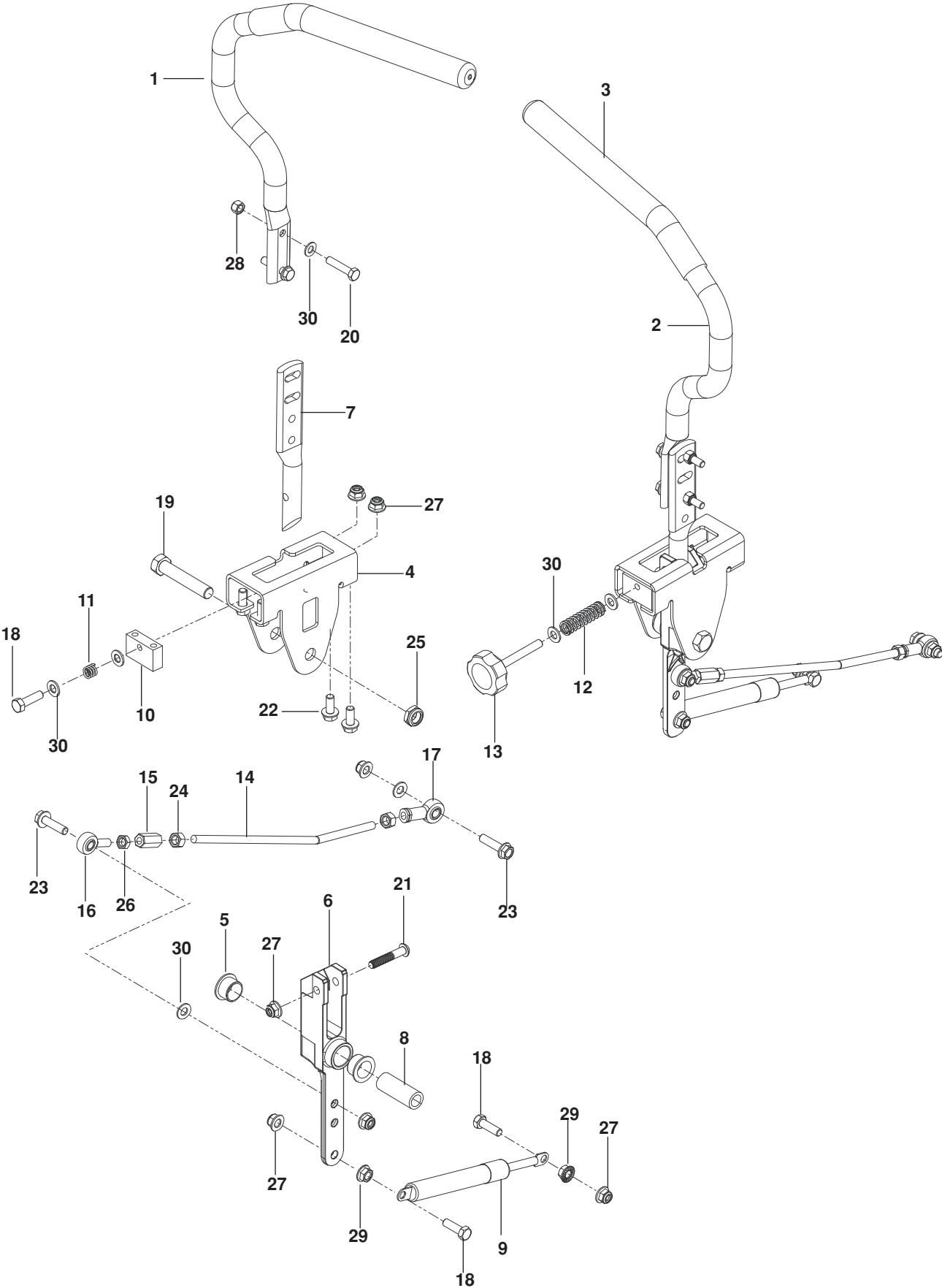
ENGINE PLATE



ENGINE PLATE

ITEM	PART NO.	QTY.	DESCRIPTION	ITEM	PART NO.	QTY.	DESCRIPTION
1..	574 846302....	1 PLATE, ENGINE	28..	525 464701..	11 HHFS $\frac{5}{16}$ -18 x $\frac{3}{4}$
2..	574 846402....	1 PLATE, IDLER SUPPORT BLK	29..	532 120616....	4 HHFS $\frac{3}{8}$ -16 x 1 THD FRM
3..	574 870901....	1 BELT, HYDRO	30..	539 990071....	1 HCS $\frac{1}{4}$ -20 x $\frac{1}{2}$
4..	574 811001....	1 PULLEY	31..	539 991120....	1 HCS $\frac{7}{16}$ -20 x $2\frac{1}{2}$
5..	539 976688....	1 PULLEY, IDLER	32..	539 103433....	1 HCS $\frac{1}{2}$ -13 x $3\frac{1}{4}$
6..	539 107620....	1 PULLEY, IDLER SECONDARY	33..	539 990209....	2 HCS $\frac{5}{16}$ -18 x 1
7..	510 041603....	1 ARM, IDLER w/ BEARINGS	34..	539 976934....	4 HCS $\frac{5}{16}$ -18 x $\frac{3}{4}$
8..	532 146699....	1 EXHAUST TUBE, RT	35..	539 100413....	1 RHSNB $\frac{3}{8}$ -16 x $1\frac{1}{4}$
9..	532 146700....	1 EXHAUST TUBE, LT	36..	539 107271....	2 RHSNB $\frac{5}{16}$ -18 x 1
10..	510 206301....	1 PIVOT, BEARING	37..	539 130235....	1 RHSNB $\frac{3}{8}$ -16 x $2\frac{3}{4}$
11..	525 435601....	1 PIVOT, IDLER	38..	539 107475....	2 BOLT $\frac{5}{16}$ -18 x $\frac{3}{4}$ THD FRM
12..	574 607001....	1 CLUTCH	39..	521 991101....	1 NUT $\frac{1}{2}$ -13 FLG NYLOC
13..	539 104763....	4 RETAINER, U TYPE	40..	539 108120....	4 NUT $\frac{1}{4}$ -20 THIN NYLOC
14..	510 254401....	1 SPRING, PUMP	41..	539 112899..	15 NUT $\frac{5}{16}$ -18 HEX FLG NYLOC
15..	539 114662....	1 SHIELD, DUST	42..	539 990613....	1 NUT $\frac{3}{8}$ -16 WHIZLK
16..	510 254501....	2 SHIELD, DUST	43..	539 200282....	4 NUT $\frac{3}{8}$ -16, JAM NYLOC
17..	539 912757....	1 KEY $\frac{1}{4}$ SQ x $1\frac{1}{4}$	44..	521 996501....	2 NUT $\frac{3}{8}$ -16 FLG NYLOC
18..	575 229902....	1 BRACKET, MUFFLER	45..	539 111897....	1 WASHER $\frac{3}{8}$ SPECIAL
19..	539 131604....	1 MUFFLER	46..	539 990247....	1 WASHER $\frac{7}{16}$ SLW
20..	539 101714....	1 SOLENOID	47..	539 990188....	2 WASHER $\frac{5}{16}$ SAE
21..	575 017302....	1 STOP, CLUTCH	48..	539 990053....	2 WASHER $\frac{1}{4}$ INT TOOTH LK
22..	539 102759....	3 INSULATOR	49..	539 109554....	2 WASHER $\frac{1}{2}$
23..	539 101362....	1 HOSE, DRAIN	50..	539 115528....	1 WASHER $\frac{1}{2}$ BELLEVILLE
24..	539 101364....	1 PLUG, OIL	51..	539 109562....	1 WASHER $\frac{3}{8}$
25..	539 101363....	1 CLAMP	NOT SHOWN			
26..	539 990302....	2 SCREW $\frac{1}{4}$ -20 x $\frac{3}{8}$ THD FRM	539 107516....	1 WIRING HARNESS	
27..	525 866201....	1 HHFS $\frac{3}{8}$ -16 x 2				

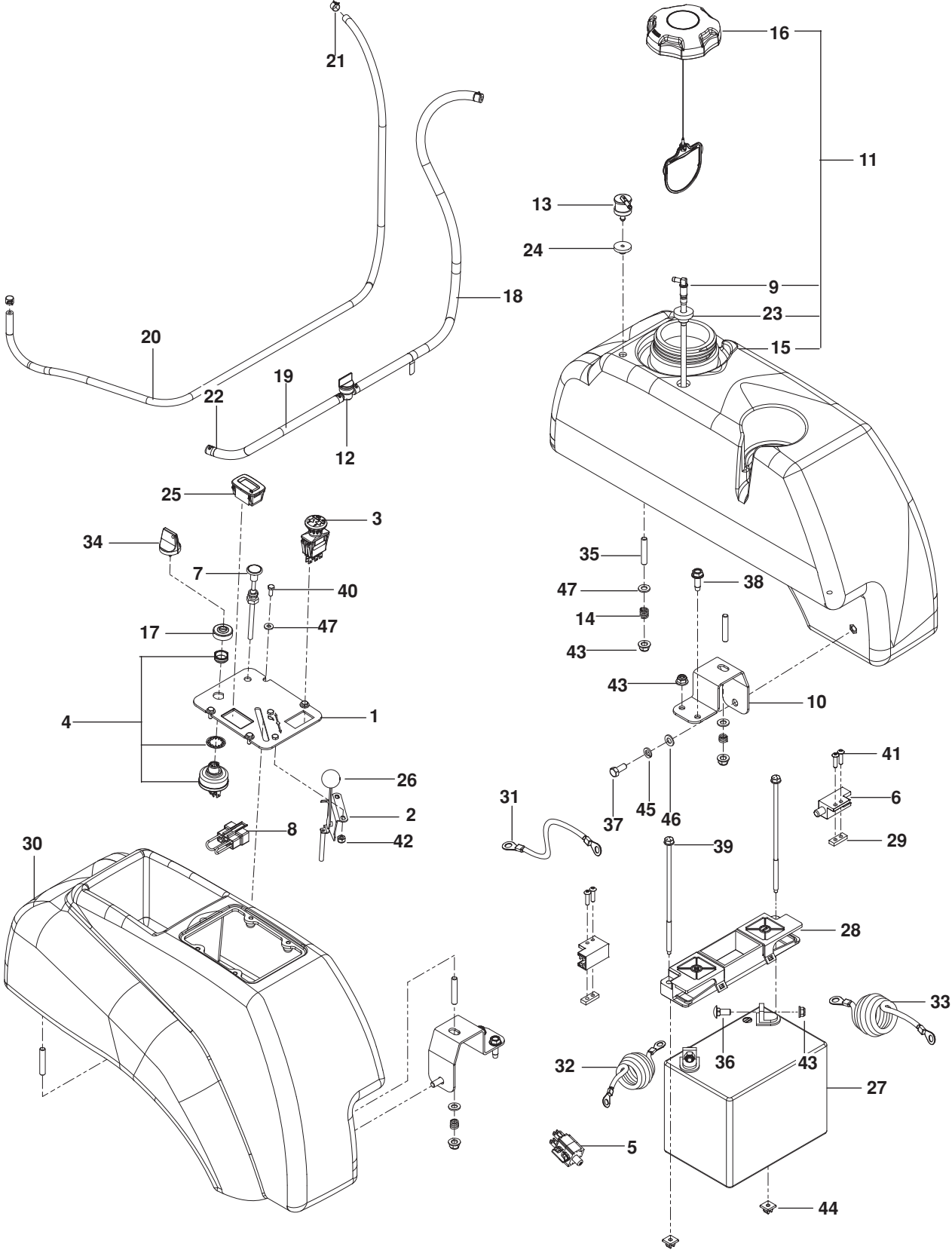
STEERING



STEERING

ITEM	PART NO.	QTY.	DESCRIPTION	ITEM	PART NO.	QTY.	DESCRIPTION
1..	539 132009....	1	LEVER w/ GRIP RT	16..	539 116690....	2	ROD END LT
2..	539 132010....	1	LEVER w/ GRIP LT	17..	539 115729....	2	ROD END RT
3..	539 130894....	2	GRIP, FOAM	18..	539 990627....	5	HCS $\frac{5}{16}$ -18 x $1\frac{1}{4}$
4..	577 251701....	2	BRACKET, CONTROL	19..	539 101332....	2	HCS $\frac{1}{2}$ -13 x $2\frac{3}{4}$
5..	539 131518....	4	BEARING, FLANGE	20..	539 976935....	4	HCS $\frac{5}{16}$ -18 x $1\frac{1}{2}$
6..	576 140301....	2	LEVER, CONTROL	21..	576 850402....	2	SCREW $\frac{5}{16}$ -18 X $1\frac{3}{4}$ BTN HD
7..	577 420001....	2	LEVER, HANDLE	22..	525 464701....	8	HHFS $\frac{5}{16}$ -18 X $\frac{3}{4}$
8..	577 252401....	2	SPACER, PIVOT CONTROL	23..	525 544001....	4	HHFS $\frac{5}{16}$ -18 x $1\frac{1}{4}$ TPBLT
9..	539 102720....	2	DAMPENER	24..	539 990223....	4	NUT $\frac{5}{16}$ -24 HEX
10..	577 251801	2	BLOCK, TRACKING	25..	539 108010....	2	NUT $\frac{1}{2}$ -13 HEX JAM NYL GR2
11..	539 102845....	1	SPRING	26..	539 991073....	2	NUT $\frac{5}{16}$ -24 HEX JAM LH
12..	576 850301....	1	SPRING	27..	539 112899..	10	NUT $\frac{5}{16}$ -18 HEX FLG NYLOC
13..	539 131799....	1	KNOB	28..	539 990717....	6	NUT $\frac{5}{16}$ -18 HEX NYLOC
14..	574 811401....	2	ROD, MOTION CONTROL	29..	539 990585....	4	NUT $\frac{5}{16}$ -18 HEX WHIZLK
15..	539 116689....	2	COUPLER, ROD END	30..	539 990188..	12	WASHER $\frac{5}{16}$ SAE FLT

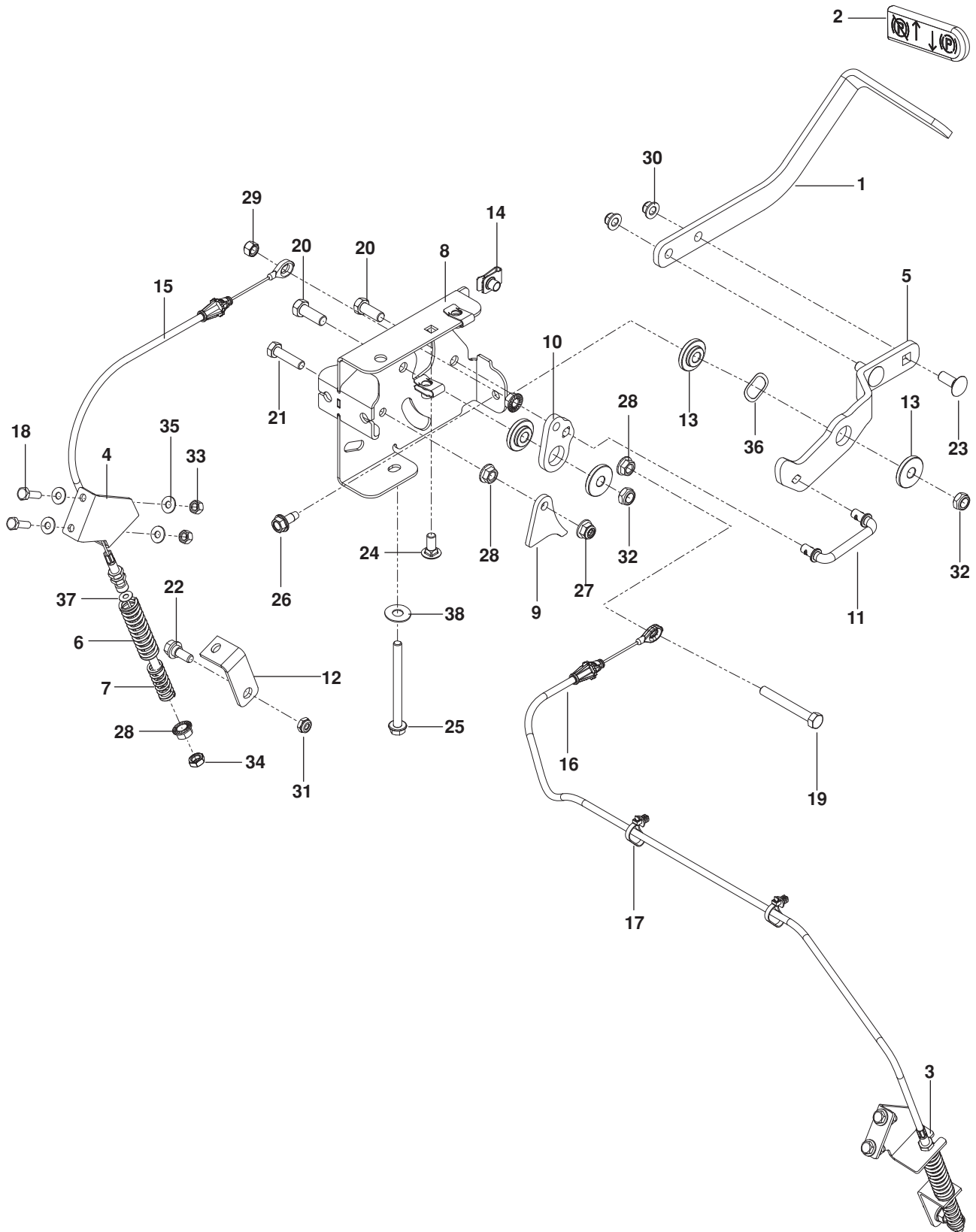
IGNITION



IGNITION

ITEM	PART NO.	QTY.	DESCRIPTION	ITEM	PART NO.	QTY.	DESCRIPTION
1..	574 841204....	1 PLATE, CONSOLE, BLK	26..	539 133049....	1 KNOB
2..	539 102732....	1 CABLE, THROTTLE	27..	539 102436....	1 BATTERY
3..	539 131627....	1 SWITCH, PTO 10 AMP	28..	539 107628....	1 BATTERY HOLD DOWN
4..	574 455401....	1 SWITCH, IGNITION	29..	539 102678....	2 PLATE, TAPPED
5..	539 113792....	1 SWITCH, BRAKE	30..	539 107593....	1 CONSOLE, RT
6..	532 109553....	2 SWITCH, INTERLOCK	31..	539 104974....	1 CABLE, POSITIVE 31"
7..	539 113458....	1 CHOKE CONTROL	32..	539 102757....	1 CABLE, POSITIVE 8"
8..	575 321001....	1 PLUG, TIMER	33..	539 107645....	1 CABLE, NEGATIVE 32"
9..	576 469201....	1 FITTING, FUEL	34..	574 455501....	1 KEY, IGNITION
10..	539 131671....	2 SUPPORT, TANK, BLK	35..	539 102502....	6 STUD ⁵ / ₁₆ -18
11..	578 368102....	1 TANK ASSY LT	36..	539 990316....	2 RHSNB ⁵ / ₁₆ -18 x ³ / ₄
12..	539 916325....	1 VALVE, FUEL	37..	539 976934....	2 HCS ⁵ / ₁₆ -18 x ³ / ₄
13..	576 618101....	1 VALVE, FUEL CHECK	38..	539 113226....	3 BOLT ⁵ / ₁₆ -18 x 1 THD FRM
14..	539 102845....	6 SPRING	39..	539 107632....	2 BOLT ¹ / ₄ x 7 ¹ / ₂
15..	576 368101....	1 TANK, FUEL LT	40..	539 990411....	6 SCREW #10-24 x ¹ / ₂ SLT
16..	575 018101....	1 FUEL CAP w /TETHER	41..	574 822701....	4 SCREW #10-24 x ³ / ₄ SKT HD
17..	539 103178....	1 CAP, IGNITION SWITCH NUT	42..	539 976977....	2 NUT #10-24 NYLOC
18..	539 107765....	1 HOSE, FUEL	43..	539 112899..	12 NUT ⁵ / ₁₆ -18 HEX FLANGE NYL
19..	539 932956....	1 HOSE, FUEL 10"	44..	539 107629....	2 NUT ¹ / ₄ PUSH NYLON
20..	576 660602....	1 HOSE ³ / ₁₆ VAPOR 48"	45..	539 990187....	2 WASHER ⁵ / ₁₆ SLW
21..	575 436501....	2 CLAMP, HOSE	46..	539 990188....	8 WASHER ⁵ / ₁₆ SAE
22..	539 912222....	4 CLAMP, HOSE	47..	539 105408....	4 WASHER #10
23..	539 105245....	1 GROMMET, RUBBER	NOT SHOWN			
24..	576 618201....	1 GROMMET, CHECK VALVE	575 320901....	1 HARNESS, MAIN	
25..	532 401763....	1 HOUR METER	539 976856....	8 WIRE TIE	

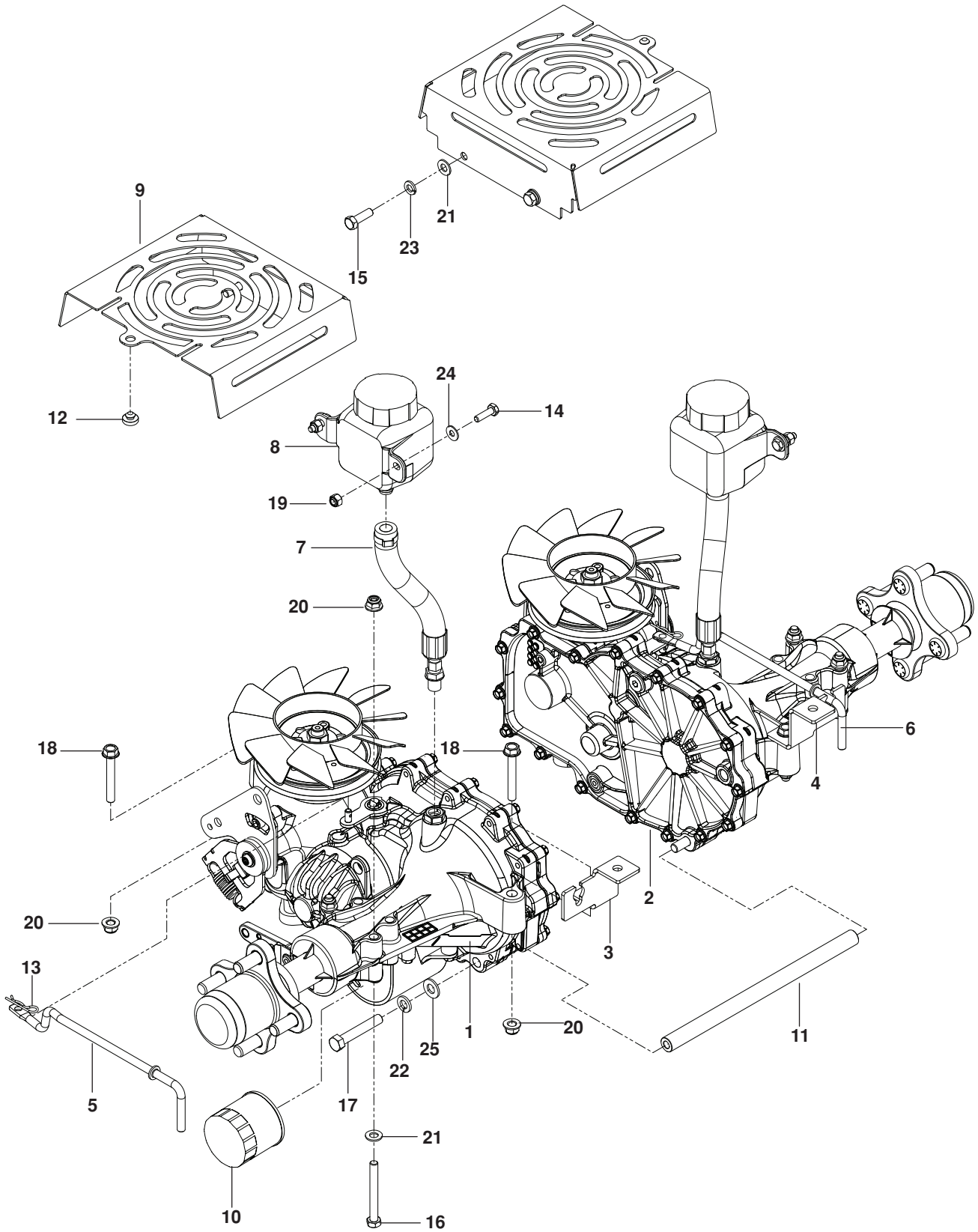
PARKING BRAKE



PARKING BRAKE

ITEM	PART NO.	QTY.	DESCRIPTION	ITEM	PART NO.	QTY.	DESCRIPTION
1..	539 132151....	1	ARM, BRAKE	20..	539 990563....	2	HCS $\frac{3}{8}$ -16 x 1
2..	539 105036....	1	GRIP, BRAKE HANDLE	21..	539 990209....	1	HCS $\frac{5}{16}$ -18 x 1
3..	575 229602....	1	BRACKET, RT BLK	22..	539 110303....	2	BOLT $\frac{5}{16}$ SHOULDER
4..	575 229702....	1	BRACKET, LT BLK	23..	539 990645....	2	RHSNB $\frac{3}{8}$ -16 x 1
5..	539 132423....	1	LEVER, BRAKE	24..	539 990316....	1	RHSNB $\frac{5}{16}$ -18 x $\frac{3}{4}$
6..	575 230201....	2	SPRING, RETURN	25..	539 131780....	1	HHFS $\frac{5}{16}$ -18 x $3\frac{3}{4}$
7..	575 230301....	2	SPRING, ENGAGEMENT	26..	539 107475....	1	BOLT $\frac{5}{16}$ -18 x $\frac{3}{4}$ THD FRM
8..	539 132158....	1	MOUNT, BRAKE	27..	539 112899....	4	NUT $\frac{5}{16}$ -18 FLANGE NYLOC
9..	539 132154....	1	ACTUATOR, SWITCH	28..	539 990585....	5	NUT $\frac{5}{16}$ -18 HEX WHIZLK
10..	539 132153....	1	BELLCRANK, BRAKE	29..	539 990717....	1	NUT $\frac{5}{16}$ -18 HEX NYLOC
11..	539 132424....	1	LINKAGE, BRAKE	30..	521 996501....	2	NUT $\frac{3}{8}$ -16 HEX FLG NYLOC
12..	575 229802....	2	BRACKET, BRAKE	31..	539 115617....	2	NUT $\frac{5}{16}$ HEX NYLOC
13..	539 132161....	4	BUSHING, BRAKE	32..	539 200282....	2	NUT $\frac{3}{8}$ -16 HEX JAM NYLOC
14..	539 104763....	3	RETAINER, U TYPE $\frac{5}{16}$ -18	33..	539 976978....	4	NUT $\frac{1}{4}$ -20 HEX NYLOC
15..	539 132173....	1	CABLE, BRAKE SHORT	34..	539 107897....	2	NUT $\frac{5}{16}$ -18 HEX JAM
16..	539 132174....	2	CABLE, BRAKE LONG	35..	539 990055....	8	WASHER $\frac{1}{4}$ SAE FLT
17..	505 280001....	2	TIE w/ CLIP	36..	539 133007....	1	WASHER .825 WAVE
18..	539 990643....	4	HCS $\frac{1}{4}$ -20 x $\frac{7}{8}$	37..	539 990122....	2	WASHER $\frac{3}{8}$ SAE
19..	539 108396....	1	HCS $\frac{5}{16}$ -18 x $2\frac{1}{2}$ TPBLT	38..	539 109554....	1	WASHER $\frac{1}{2}$ FLAT

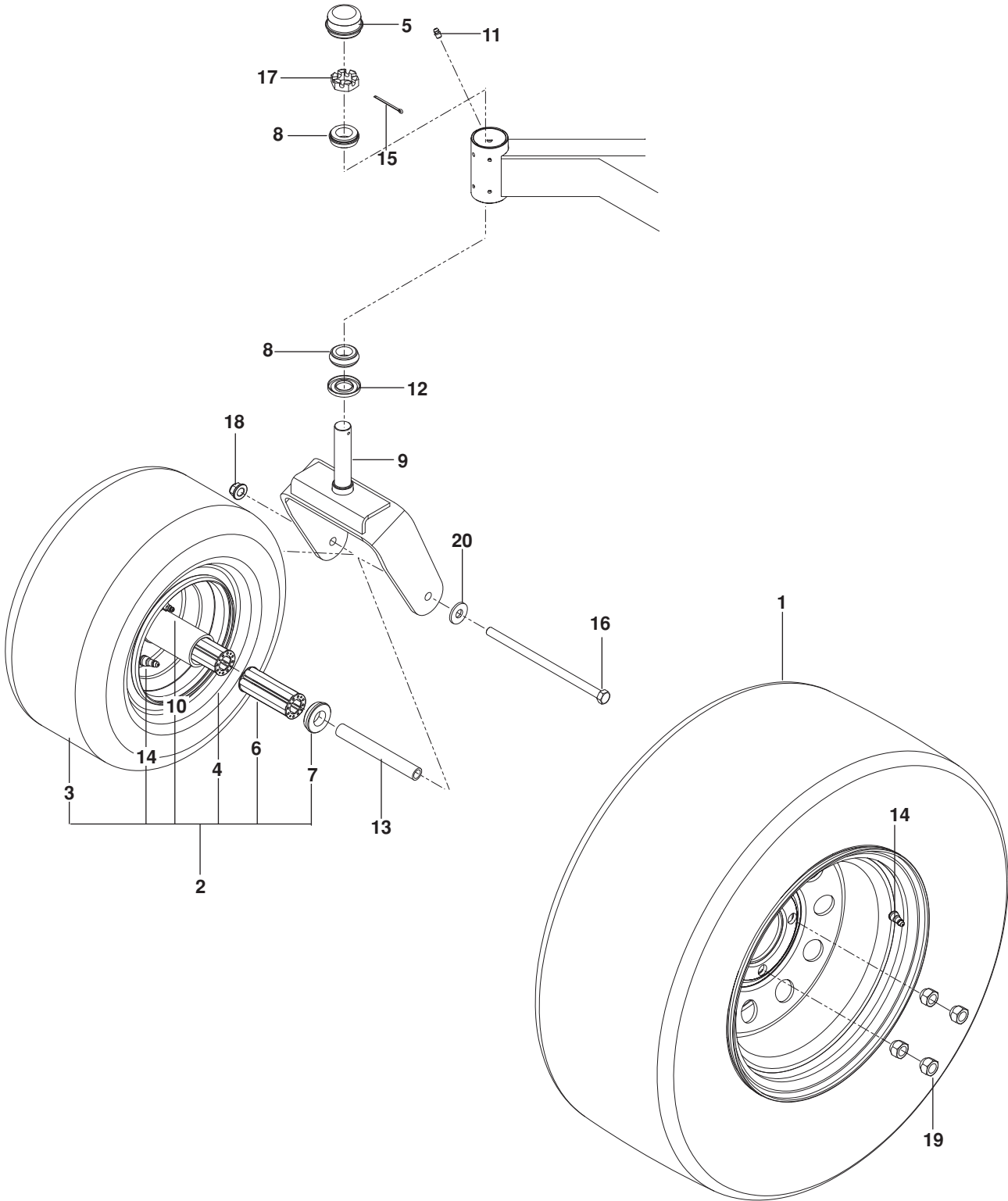
HYDRAULIC PUMP-MOTOR



HYDRAULIC PUMP-MOTOR

ITEM	PART NO.	QTY.	DESCRIPTION	ITEM	PART NO.	QTY.	DESCRIPTION
1..	577 227702....	1 TRANS, ZT-3100, LT	15..	539 990209....	4 HCS $\frac{5}{16}$ -18 x 1
2..	577 227701....	1 TRANS, ZT-3100, RT	16..	539 101721....	4 HCS $\frac{5}{16}$ -18 x 2 $\frac{3}{4}$
3..	575 017102....	1 BRACKET, TRANS, LT	17..	539 108551....	2 HCS $\frac{3}{8}$ -16 x 2 $\frac{1}{2}$ GR8
4..	575 017002....	1 BRACKET, TRANS, RT	18..	574 233801....	4 HHFS $\frac{5}{16}$ -18 x 2 $\frac{1}{4}$
5..	539 131616....	1 LINKAGE, BYPASS LT	19..	539 976978....	4 NUT $\frac{1}{4}$ -20 HEX NYLOC
6..	539 131618....	1 LINKAGE, BYPASS RT	20..	539 112899....	8 NUT $\frac{5}{16}$ -18 HEX FLG NYLOC
7..	574 892101....	2 HOSE, EXPANSION	21..	539 990188....	4 WASHER $\frac{5}{16}$ SAE FLT
8..	574 811301....	2 TANK, EXPANSION	22..	539 990118....	2 WASHER $\frac{3}{8}$ SPLT LK
9..	575 778202....	2 COVER, FAN	23..	539 990187....	4 WASHER $\frac{5}{16}$ SLW
10..	539 113466....	2 FILTER, HYDRO	24..	539 990055....	4 WASHER $\frac{1}{4}$ SAE FLT
11..	574 868501....	1 TUBE, SPACER	25..	539 990122....	2 WASHER $\frac{3}{8}$ SAE FLT
12..	539 102587....	2 GROMMET, BUMPER	NOT SHOWN			
13..	539 976988....	2 HAIRPIN COTTER	580	906201....	2 SPACER, WHEEL
14..	539 990643....	4 HCS $\frac{1}{4}$ -20 x $\frac{7}{8}$				

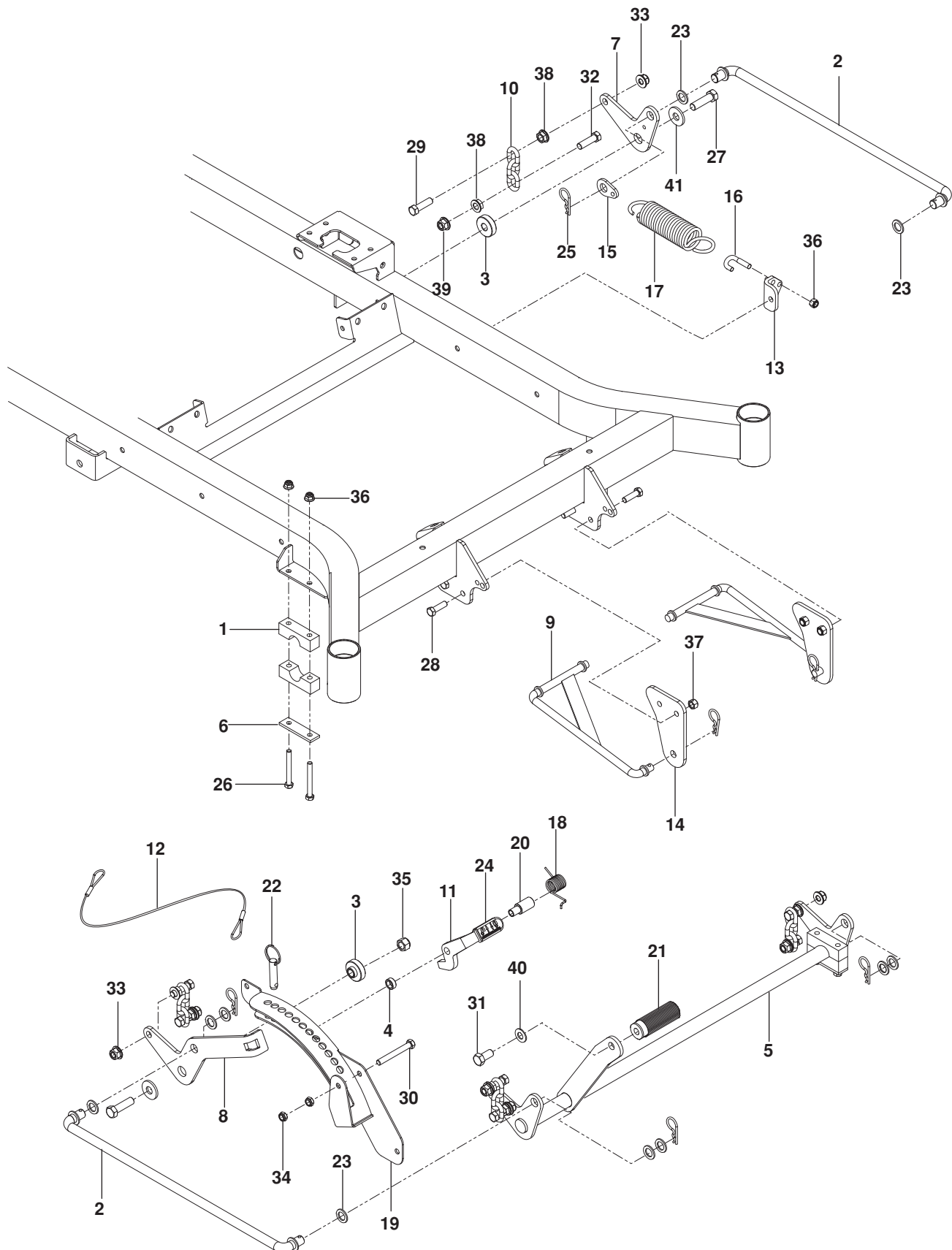
WHEELS



WHEELS

ITEM	PART NO.	QTY.	DESCRIPTION	ITEM	PART NO.	QTY.	DESCRIPTION
1..	580 747001....2	WHEEL ASSY 22 x 10-10	11..	539 101474....2	ZERK
2..	575 348701....2	WHEEL ASSY 13 x 6.5	12..	539 102851....2	SEAL
3..	575 622201....2	TIRE 13 x 6.5	13..	575 334901....2	SPACER, PIVOT
4..	575 622101....2	RIM, CASTER TIRE	14..	539 912234....2	AIR VALVE
5..	539 102535....2	CAP, GREASE	15..	539 102889....2	COTTER PIN 1/8 x 2
6..	539 105307....4	BEARING 3/4 CAGE	16..	539 105517....2	HCS 1/2-13 x 9 1/2
7..	539 102484....4	BEARING, FLANGED	17..	539 102852....2	NUT 1"-14 SLOTTED JAM
8..	539 102543....4	BEARING, ROLLER TAPERED	18..	521 991101 ...2	NUT 1/2-13 HEX FLG NYLOC
9..	575 329202....2	YOKE, CASTER, ORG	19..	539 101173....8	NUT 1/2-20 LUG
10..	539 103300....2	ZERK	20..	539 109554....2	WASHER 1/2 FLT

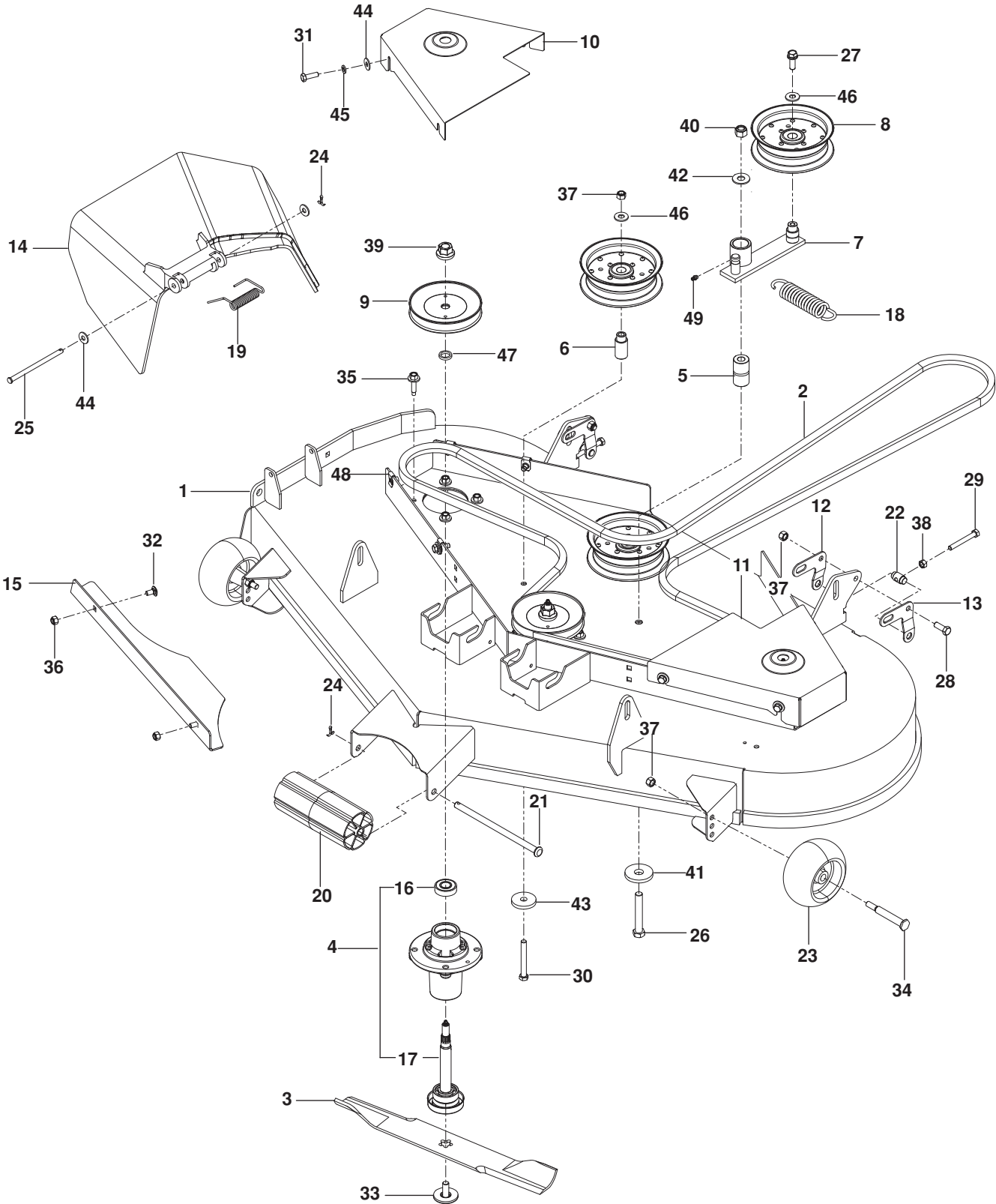
MOWER LIFT / DECK LIFT



MOWER LIFT / DECK LIFT

ITEM	PART NO.	QTY.	DESCRIPTION	ITEM	PART NO.	QTY.	DESCRIPTION
1..	539 104808....4	PILLOW BLOCK	21..	510 408301....1	PEDAL, FOOT
2..	539 110808....2	LINK, DECK LIFT	22..	539 132182....1	PIN ½ x 1½ DETENT RING
3..	539 118937....2	SPACER, IDLER	23..	539 991043..10	BUSHING .625
4..	539 131861....1	SPACER	24..	539 132851....1	GRIP
5..	581 215202....1	SHAFT, FRONT LIFT BLK	25..	539 115501....6	PIN, COTTER 1¾
6..	539 104807....2	REINFORCEMENT BAR	26..	539 101721....4	HCS 5/16-18 x 2¾
7..	539 131897....1	BELLCRANK, RR, LIFT BLK	27..	539 108181....2	HCS ½-13 x 1¾ GR 8
8..	539 131853....1	BELLCRANK, RR, RT BLK	28..	539 976941....4	HCS ¾-16 X 1¼
9..	539 112223....2	LINKAGE, STRUT	29..	539 101175....4	HCS 7/16-14 x 1½
10..	539 109693....4	LIFT CHAIN-3 LINK	30..	539 101341....1	HCS ¾-16 x 3
11..	539 131566....1	LATCH, TRANSPORT	31..	539 990646....1	HCS ½-13 x 1¾
12..	539 105059....1	LANYARD	32..	539 108073....4	HCS 7/16-14 x 1¾
13..	539 131791....1	MOUNT, SPRING	33..	539 132019....8	NUT 7/16-14 HEX WHIZ LK
14..	539 132017....2	MOUNT, STRUT	34..	539 200282....2	NUT ¾-16 HEX JAM NYLOC
15..	539 131792....1	TAB, SPRING	35..	539 101331....2	NUT ½ HEX NYLOC
16..	539 112896....1	J-BOLT	36..	539 112899....5	NUT 5/16-18 HEX FLG NYLOC
17..	539 102642....1	SPRING	37..	539 976979....4	NUT ¾-16 HEX NYLOC
18..	539 132734....1	SPRING, TORSION	38..	539 102582....8	NUT 7/16-14 HEX WHIZ LK
19..	539 131850....1	HEIGHT ADJUST, DECK	39..	539 102843....1	WASHER 7/16 SPRING
20..	539 131860....1	PIVOT LATCH, TRANSPORT	40..	539 109554....2	WASHER ½ FLT

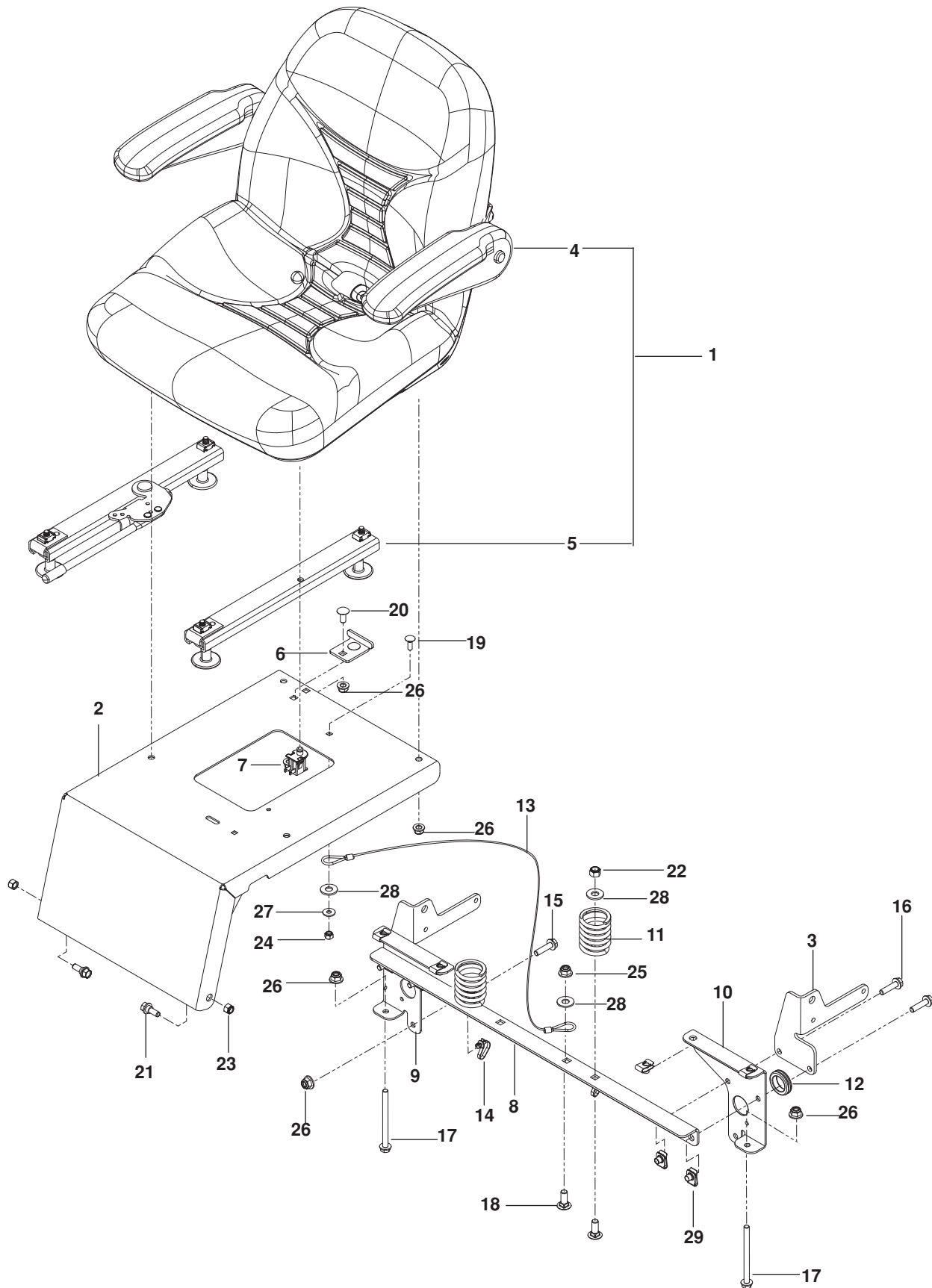
MOWER DECK / CUTTING DECK



MOWER DECK / CUTTING DECK

ITEM	PART NO.	QTY.	DESCRIPTION	ITEM	PART NO.	QTY.	DESCRIPTION
1..	581 505301....	1 DECK w/ SAFETY DECALS	26..	539 103433....	1 HCS 1/2-13 x 3 1/4
2..	522 811301....	1 BELT, DECK	27..	539 990582....	1 HCS 3/8-16 x 1 WHIZLK
3..	539 112079....	3 BLADE, 18"	28..	539 990563....	2 HCS 3/8-16 x 1
4..	539 112170....	3 HOUSING ASSY	29..	539 108396....	2 HCS 5/16-18 x 2 1/2 TPBLT
5..	539 103427....	1 BUSHING, PIVOT	30..	539 101341....	2 HCS 3/8-16 x 3
6..	539 112169....	2 BUSHING, IDLER	31..	539 990209....	8 HCS 5/16-18 x 1
7..	539 112198....	1 ARM, IDLER	32..	539 990799....	2 RHSNB 5/16-18 x 5/8
8..	539 132728....	3 PULLEY, IDLER	33..	532 193003....	3 BOLT 7/16 BLADE
9..	532 173436....	3 PULLEY	34..	539 107608....	2 BOLT 3/8-16 x 3 3/8 SHOULDER
10..	539 112242....	1 BELT SHIELD, RT	35..	539 107630..	12 SCREW 5/16-18 WSH HD
11..	539 112244....	1 BELT SHIELD, LT	36..	539 990717....	2 NUT 5/16-18 HEX NYLOC
12..	539 131857....	2 PITCH, ADJUST, RT	37..	539 976979....	6 NUT 3/8-16 HEX NYLOC
13..	539 131858....	2 PITCH, ADJUST, LT	38..	539 990196....	2 NUT 5/16-18 HEX
14..	539 110733....	1 CHUTE, DISCHARGE	39..	539 107590....	3 NUT 9/16 TOP CENTER LOCK
15..	539 112417....	1 PLATE, CONFINEMENT	40..	539 101331....	1 NUT 1/2 HEX NYLOC
16..	539 112050....	3 BEARING, BALL	41..	539 102243....	1 WASHER, SUPPORT
17..	539 112056....	1 SHAFT	42..	539 990550....	1 WASHER 1/2 STD FLT
18..	539 103256....	1 SPRING	43..	539 106504....	2 WASHER, HEAVY
19..	539 110735....	1 SPRING, TORSION	44..	539 990692..	10 WASHER 5/16 STD FLT
20..	532 176066....	1 ROLLER, NOSE	45..	539 990187....	8 WASHER 5/16 SLW
21..	532 179127....	1 ROD, ROLLER, NOSE	46..	539 990517....	2 WASHER 3/8 STD FLT
22..	539 131859....	2 TRUNION, PITCH	47..	539 107520....	3 WASHER-SPACER
23..	539 107610....	2 WHEEL, GAUGE	48..	539 104763....	8 RETAINER, U TYPE 5/16-18
24..	539 990365....	2 PIN, COTTER 1/8 x 3/4	49..	539 976998....	1 ZERK
25..	539 110736....	1 PIN, CLEVIS 5/16				

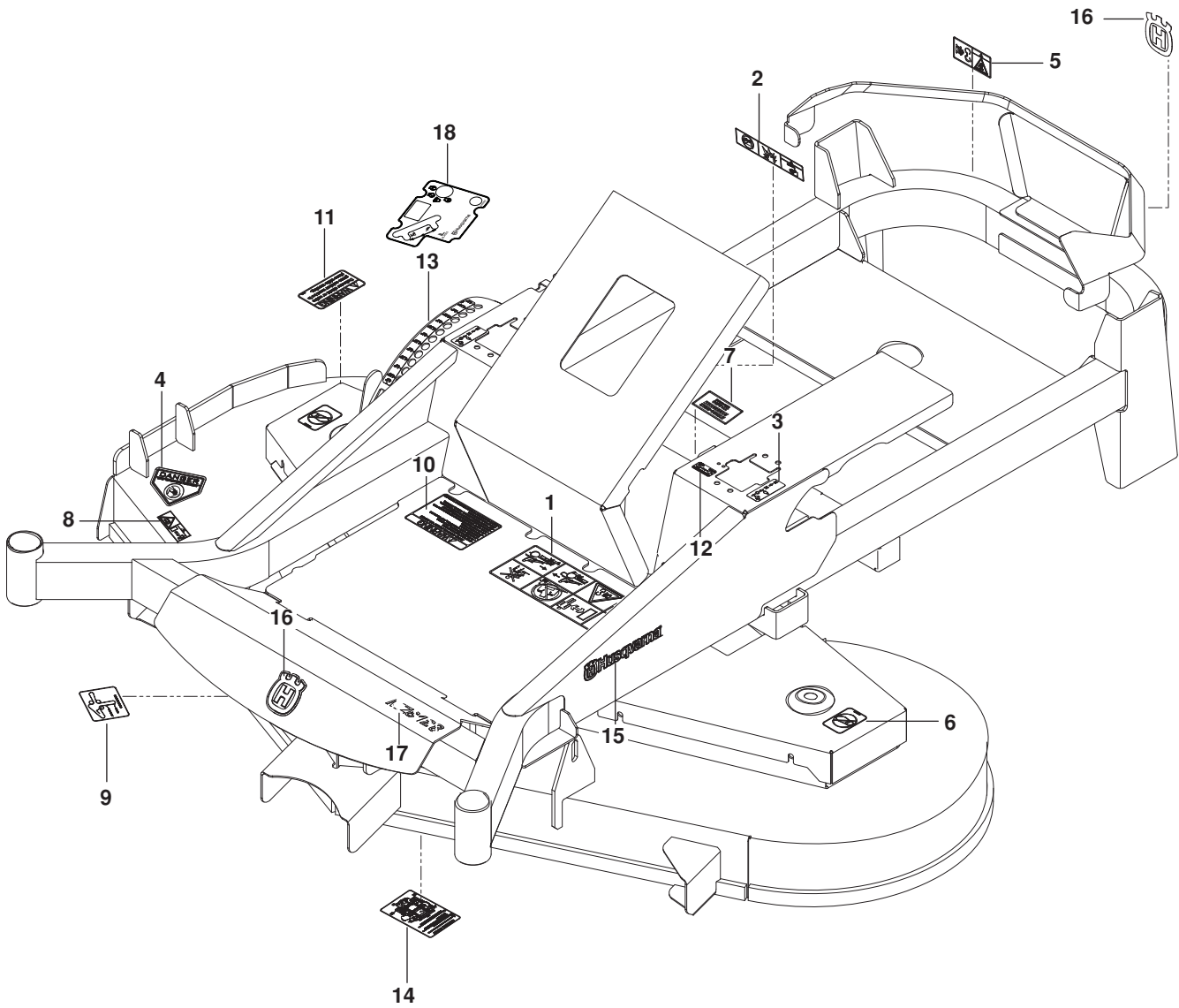
SEAT



SEAT

ITEM	PART NO.	QTY.	DESCRIPTION	ITEM	PART NO.	QTY.	DESCRIPTION
1..	539 130873....	1	SEAT ASSY	15..	525 464701....	2	HHFS $\frac{5}{16}$ -18 x $\frac{3}{4}$
2..	575 608601....	1	MOUNT, SEAT w/ DECAL	16..	525 544001....	4	HHFS $\frac{5}{16}$ -18 x $1\frac{1}{4}$ TPBLT
3..	575 017402....	2	MOUNT, SEAT BELT	17..	539 131780....	2	HHFS $\frac{5}{16}$ -18 x $3\frac{3}{4}$
4..	539 112036....	1	ARM REST, LT	18..	539 990645....	3	RHSNB $\frac{3}{8}$ -16 x 1
	539 112035....	1	ARM REST, RT	19..	539 990074....	1	RHSNB $\frac{1}{4}$ -20 x $\frac{3}{4}$
5..	539 112037....	1	RAIL SET, SEAT	20..	539 109100....	2	RHSNB $\frac{5}{16}$ -18 x $\frac{3}{4}$
6..	539 130793....	1	DECK STOP	21..	539 130896....	2	BOLT $\frac{5}{16}$ -18 HEX HD
7..	539 119741....	1	SWITCH, SEAT	22..	539 976979....	2	NUT $\frac{3}{8}$ -16 HEX NYLOC
8..	539 131656....	1	SUPPORT, SEAT	23..	539 990717....	2	NUT $\frac{5}{16}$ -18 HEX NYLOC
9..	575 224002....	1	SUPPORT, RT	24..	539 976978....	1	NUT $\frac{1}{4}$ -20 HEX NYLOC
10..	575 224102....	1	SUPPORT, LT	25..	521 996501....	1	NUT $\frac{3}{8}$ -16 FLG HEX NYLOC
11..	539 110300....	2	SPRING, SEAT	26..	539 112899..	10	NUT $\frac{5}{16}$ -18 FLANGE NYLOC
12..	539 105974....	1	GROMMET RUBBER	27..	539 990598....	1	WASHER $\frac{1}{4}$ FLT
13..	539 103247....	1	LANYARD, SEAT	28..	539 990517....	4	WASHER $\frac{3}{8}$ STD FLT
14..	505 280001....	2	TIE w/ CLIP	29..	539 104763....	8	RETAINER, U TYPE $\frac{5}{16}$ -18

DECALS

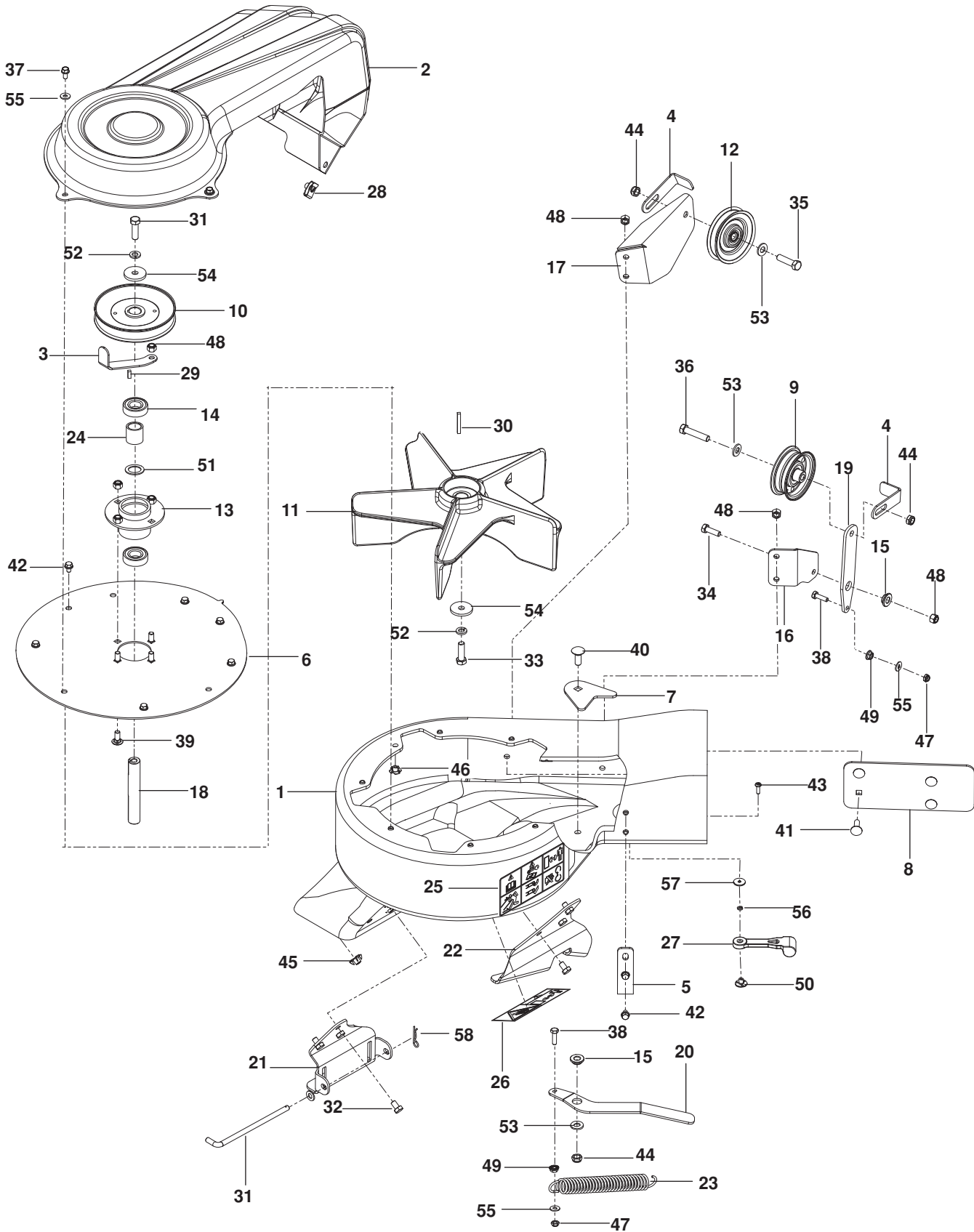


DECALS

ITEM	PART NO.	QTY.	DESCRIPTION	ITEM	PART NO.	QTY.	DESCRIPTION
1..	539 107959	...1	...DECAL, WARNING	10..	539 113213	...1	...DECAL, WARNING
2..	539 105745	...1	...DECAL, BATTERY WARNING	11..	539 113224	...1	...DECAL, DEFLECTOR
3..	539 103333	...2	...DECAL, MOTION CONTROL	12..	539 110974	...2	...DECAL, TRACKING
4..	539 913010	...1	...DECAL, BLADE WARNING	13..	539 132039	...1	...DECAL, HEIGHT ADJUST
5..	539 105744	...1	...DECAL, DANGER BLT DRIVE	14..	539 132187	...1	...DECAL, SERVICE
6..	539 105743	...2	...DECAL, NO STEP	15..	532 429196	...2	...DECAL, HUSQVARNA
7..	574 815503	...1	...DECAL, HYDROGEAR	16..	532 428676	...2	...DECAL, CROWN H
8..	539 105746	...1	...DECAL, SEVERING	17..	521 988004	...1	...DECAL, MZ5225
9..	539 112620	...1	...DECAL, BELT ROUTING	18..	574 841103	...1	...DECAL, CONSOLE

ACCESSORIES

Blower

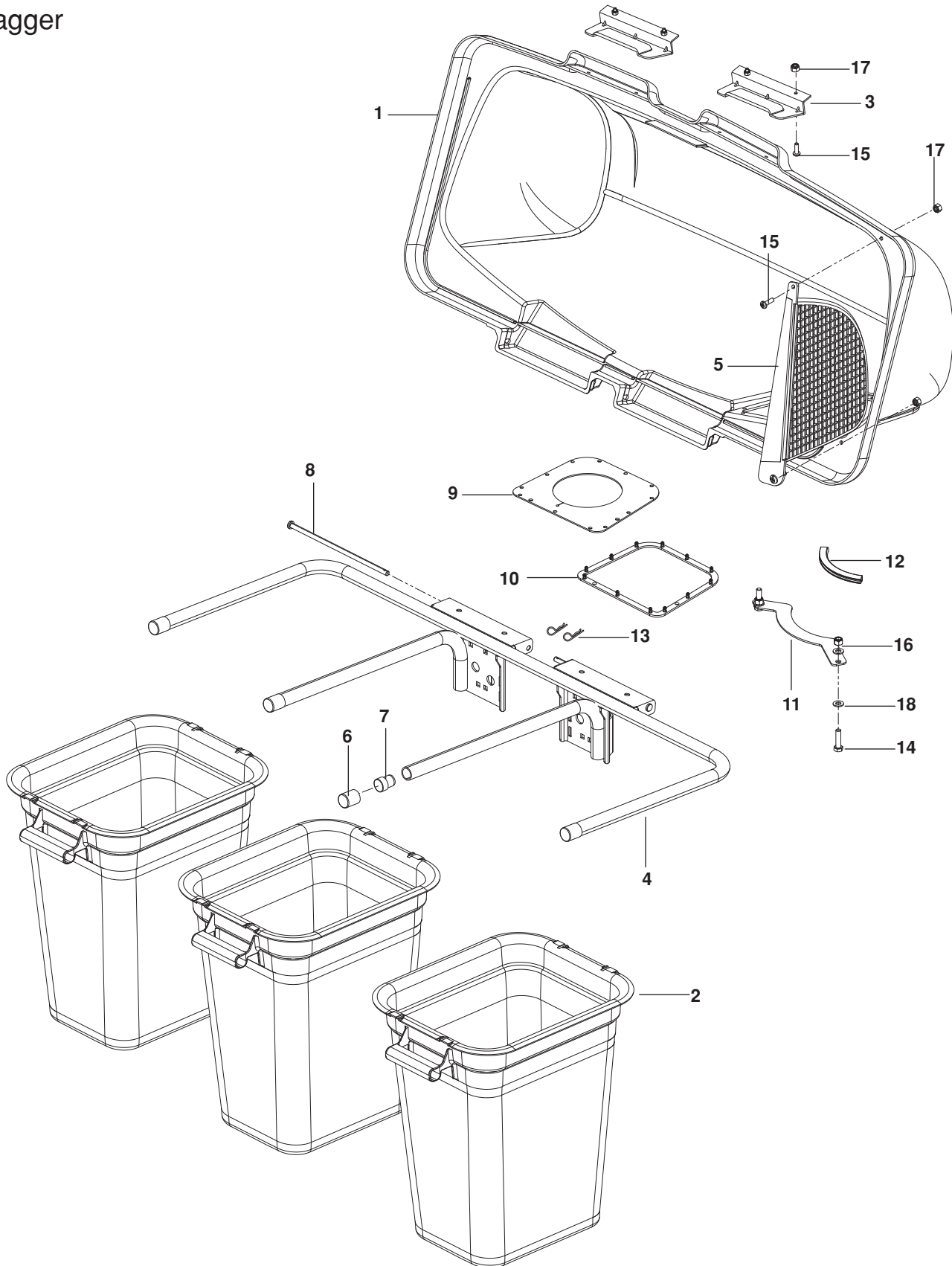


ACCESSORIES

ITEM	PART NO.	QTY.	DESCRIPTION	ITEM	PART NO.	QTY.	DESCRIPTION
1..	539 130344....	1 HOUSING w/DECALS	30..	539 125229....	1 KEY $\frac{3}{16}$ x $1\frac{1}{2}$
2..	539 130293....	1 COVER, BELT	31..	539 130317....	1 PIN
3..	539 131085....	1 KEEPER, BELT OUTER	32..	539 130315....	6 HCS $\frac{5}{16}$ -18 x $\frac{1}{2}$
4..	539 131087....	2 KEEPER, BELT REAR	33..	539 110321....	2 HCS $\frac{3}{8}$ -24 x $1\frac{1}{4}$ GR8
5..	539 130346....	1 KEEPER	34..	539 990209....	1 HCS $\frac{5}{16}$ -18 x 1
6..	539 130341....	1 PLATE, OUTER	35..	539 990655....	1 HCS $\frac{3}{8}$ -16 x $1\frac{1}{2}$
7..	539 132124....	1 PLATE, BACKING	36..	539 976949....	1 HCS $\frac{3}{8}$ -16 x $1\frac{3}{4}$
8..	539 132122....	1 PLATE, BACKING	37..	539 108461....	3 HCS $\frac{1}{4}$ -20 x $\frac{1}{2}$
9..	539 919078....	1 PULLEY, IDLER	38..	539 990643....	2 HCS $\frac{1}{4}$ -20 x $\frac{7}{8}$
10..	539 130324....	1 PULLEY	39..	539 990316....	4 RHSNB $\frac{5}{16}$ -18 x $\frac{3}{4}$
11..	539 130292....	1 IMPELLER	40..	539 990645....	1 RHSNB $\frac{3}{8}$ -16 x 1
12..	539 113683....	1 V-IDLER	41..	539 990208....	4 RHSNB $\frac{5}{16}$ -18 x 1
13..	539 130295....	1 HUB, BEARING	42..	539 990302....	8 SCREW $\frac{1}{4}$ x $\frac{3}{8}$ THD FRM
14..	539 130296....	2 BEARING	43..	539 976952....	1 SCREW #10-24 x $\frac{5}{8}$
15..	539 130301....	2 BUSHING	44..	539 200282....	3 NUT $\frac{3}{8}$ -16 HEX JAM NYLOC
16..	539 130335....	1 MOUNT, IDLER, UPPER	45..	539 130313....	6 NUT $\frac{5}{16}$ -18 TEE
17..	539 130336....	1 MOUNT, IDLER, LOWER	46..	539 130314..	11 NUT $\frac{1}{4}$ -20 TEE
18..	539 130316....	1 SHAFT, IMPELLER	47..	539 108120....	2 NUT $\frac{1}{4}$ -20 HEX NYLOC
19..	539 130337....	1 ARM, IDLER	48..	539 990717....	9 NUT $\frac{5}{16}$ -18 HEX NYLOC
20..	539 130338....	1 ARM, TENSION	49..	539 108735....	2 NUT $\frac{1}{4}$ -20 HEX FLANGE
21..	539 130339....	1 BRACKET, MOUNT, FRONT	50..	539 108089....	1 WELD NUT, PLATED
22..	539 130340....	1 BRACKET, MOUNT, REAR	51..	539 910935....	1 WASHER
23..	539 101977....	1 TRACTION SPRING	52..	539 990118....	2 WASHER $\frac{3}{8}$ SPLT LOCK
24..	539 130323....	1 SPACER	53..	539 990122....	3 WASHER $\frac{3}{8}$ SAE FLT
25..	539 105785....	1 DECAL, WARNING	54..	539 110323....	2 WASHER, HARDENED
26..	539 106741....	1 DECAL, SEVERING	55..	539 990055....	5 WASHER $\frac{1}{4}$ SAE FLT
27..	539 108088....	1 LATCH, HOOD	56..	539 109552....	2 WASHER $\frac{3}{16}$ LOCK
28..	539 104763....	1 RETAINER, U TYPE $\frac{5}{16}$ -18	57..	539 108084....	2 WASHER $\frac{3}{16}$ x $\frac{3}{4}$ x 16 GA
29..	539 115667....	1 KEY $\frac{3}{16}$ x $\frac{1}{2}$	58..	539 976988....	1 HAIRPIN

ACCESSORIES

Bagger

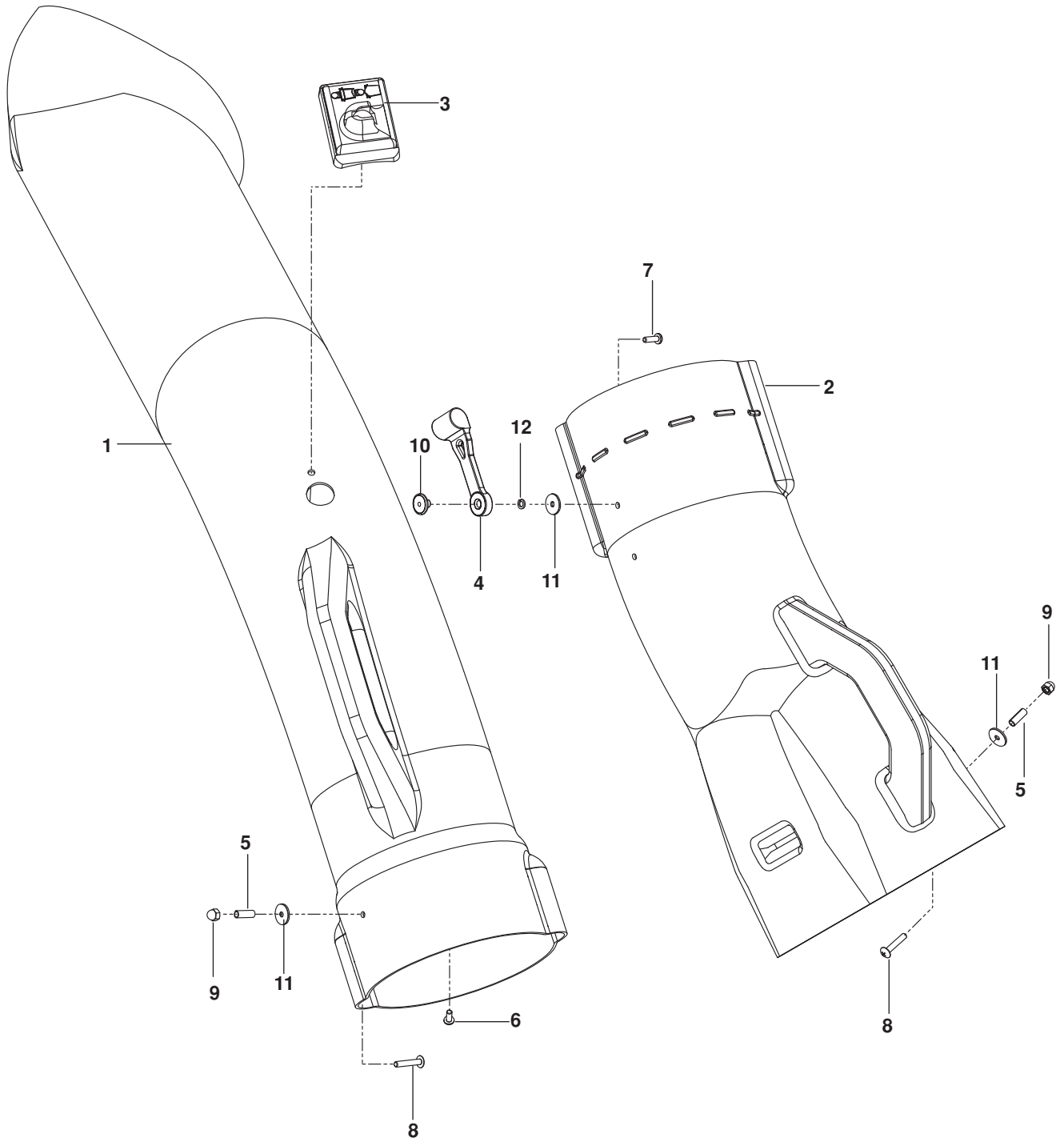


ACCESSORIES

ITEM	PART NO.	QTY.	DESCRIPTION	ITEM	PART NO.	QTY.	DESCRIPTION
1..	532 195373....	1	COVER	10..	532 192603....	1	GASKET, COVER
2..	532 400226....	3	CONTAINER, SOFT BAG	11..	539 110281....	1	SUPPORT, CHUTE
3..	532 130895....	2	HANDLE, BAGGER COVER	12..	539 112294....	1	FLEX TRIM
4..	539 108098....	1	FRAME, BAGGER	13..	539 108096....	2	HAIR PIN
5..	532 192709....	1	SCREEN, COVER	14..	539 990627....	2	HCS $\frac{5}{16}$ -18 x $1\frac{1}{4}$
6..	539 108097....	4	PLUG, TUBING END	15..	539 976952....	6	SCREW #10-24 x $\frac{5}{8}$
7..	522 801301....	2	PLUG, SPACER	16..	539 112899....	2	NUT $\frac{5}{16}$ -18 HEX FLG NYLOC
8..	532 192786....	2	PIN, HINGE	17..	539 976977....	6	NUT #10-24 NYLOC
9..	532 192550....	1	SEAL, COVER	18..	539 990188....	4	WASHER $\frac{5}{16}$ SAE FLT

ACCESSORIES

Chutes

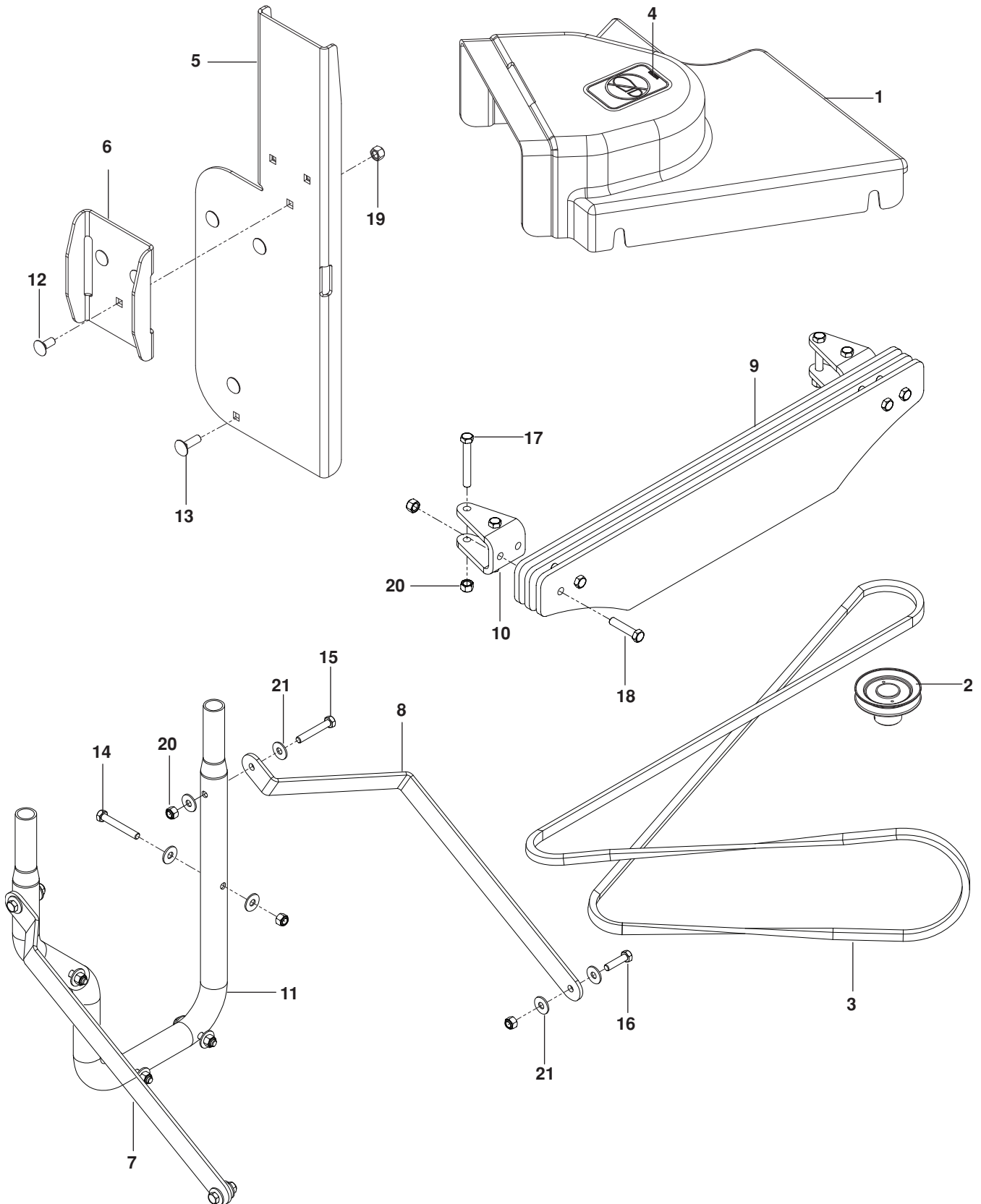


ACCESSORIES

ITEM	PART NO.	QTY.	DESCRIPTION	ITEM	PART NO.	QTY.	DESCRIPTION
1..	539 108141....	1CHUTE, UPPER	7..	539 976952....	1 SCREW #10-24 x 5/8
2..	539 130294....	1CHUTE, MIDDLE	8..	539 108083....	2 SCREW #10-24 x 1 1/8
3..	539 108082....	1INDICATOR, BAG DUMP	9..	539 108086....	2 NUT #10-24 ACORN
4..	539 108088....	1LATCH, HOOD	10..	539 108089....	1WELD NUT, PLATED
5..	539 108085....	2SPACER, SPLIT	11..	539 108084....	3 WASHER 3/16 x 3/4 x 16 GA
6..	539 108081....	1SCREW #10-14 x 1/2	12..	539 109552....	2 WASHER 3/16 LOCK

ACCESSORIES

Guard, Mount and Belt

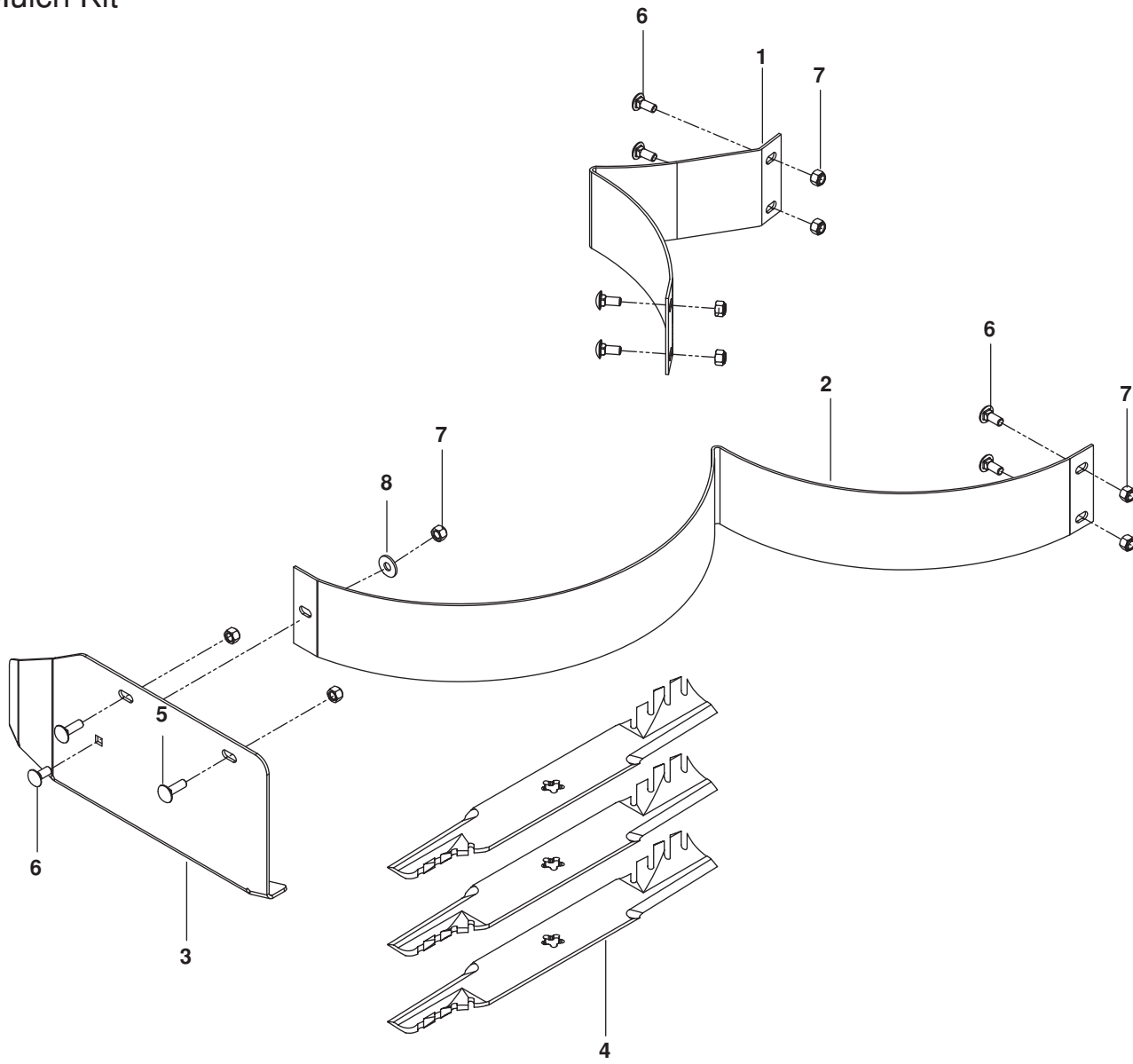


ACCESSORIES

ITEM	PART NO.	QTY.	DESCRIPTION	ITEM	PART NO.	QTY.	DESCRIPTION
1..	539 130307....	1 SHIELD, BELT, 52"	12..	539 990316....	3 RHSNB $5/16$ -18 x $3/4$
2..	539 130320....	1 PULLEY, 52"	13..	539 990208....	4 RHSNB $5/16$ -18 x 1
3..	539 130347....	1 BELT, 52"	14..	539 102612....	4 HCS $3/8$ -16 x $2\ 3/4$
4..	539 105743....	1 DECAL, NO STEP	15..	539 976949....	4 HCS $3/8$ -16 x $1\ 3/4$
5..	539 130342....	1 PLATE, MOUNT	16..	539 976937	...2	... HCS $5/16$ -18 X 2
6..	539 130343....	1 PLATE, BACKING	17..	539 976938	...4	... HCS $5/16$ -18 X $2\ 1/4$
7..	539 131089	...1	... STRAP, RT	18..	539 990627	...2	... HCS $5/16$ -18 X $1\ 1/4$
8..	539 131090	...1	... STRAP, LT	19..	539 990717..	11 NUT $5/16$ -18 HEX NYLOC
9..	539 113232....	3 WEIGHT PLATE	20..	539 976979....	8 NUT $3/8$ -16 HEX NYLOC
10..	539 113203....	2 WEIGHT BRACKET	21..	539 990692	.16	... WASHER $5/16$ STD FLT
11..	539 131091	...1	... TUBE, MOUNT				

ACCESSORIES

Mulch Kit



ACCESSORIES

ITEM	PART NO.	QTY.	DESCRIPTION
1..	539 112421....1	BAFFLE, LEFT
2..	539 112435....1	BAFFLE, RIGHT
3..	539 112344....1	MULCH CAP
4..	521 981501....3	BLADE, 18" GATOR

ITEM	PART NO.	QTY.	DESCRIPTION
5..	539 990208....2	RHSNB $\frac{5}{16}$ -18 x 1
6..	539 990316....7	RHSNB $\frac{5}{16}$ -18 x $\frac{3}{4}$
7..	539 990717....9	HEX NUT $\frac{5}{16}$ -18 NYLOC
8..	539 990692....1	WASHER $\frac{5}{16}$ STD FLT

