

Gasoline containing up to 10% ethanol (E10) is acceptable for use in this machine. The use of any gasoline exceeding 10% ethanol (E10) will void the product warranty.

Parts Manual

PZ60 / 966614301



Please read the operator's manual carefully and make sure you understand the instructions before using the machine.

When you need spare parts or support in service questions, warranty issues, etc., please consult the following professional:

| | | |
|---|--------|--------------|
| | | |
| This Parts Manual belongs to the machine with the manufacturing number: | Engine | Transmission |

Manufacturing Number

The machine's manufacturing number can be found on the printed plate affixed to the engine compartment.

Stated on the plate, from the top are:

- The machine's type designation (I.D.).
- The manufacturer's type number (Model).
- The machine's serial number (Serial no.)

Please have the type designation and serial number available when ordering spare parts.

The engine's manufacturing number is stamped on one of the valve covers.

The plate states:

- The engine's model.
- The engine's type.
- Code

Please have these available when ordering spare parts.

The wheel motors and hydrostatic pumps have a barcode decal affixed at the rear.

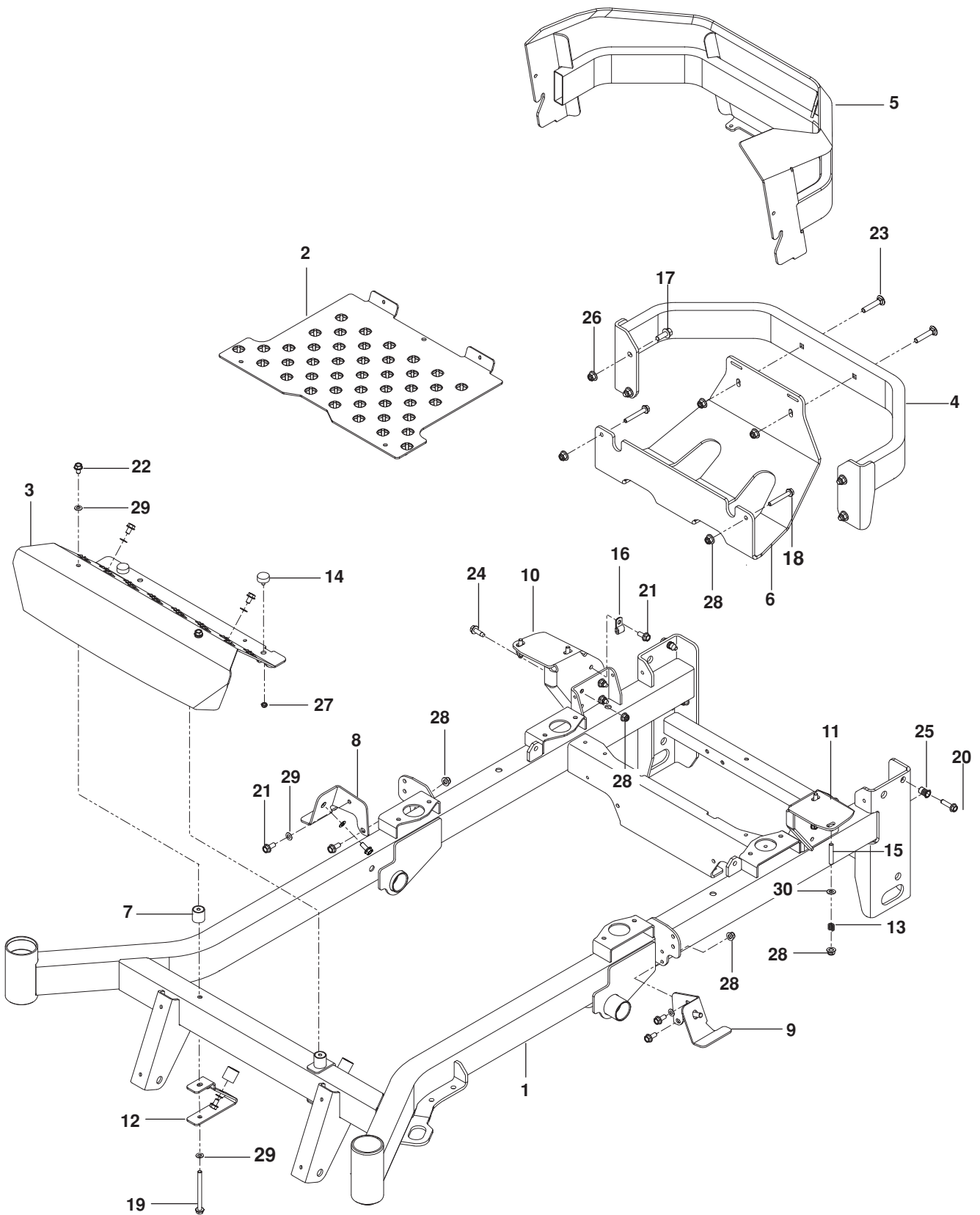
| Accessories Available | |
|---------------------------------------|------------|
| Collection System..... | 966 406901 |
| Blower Kit | 966 407201 |
| Mulch Kit..... | 966 444701 |
| DFS Kit | 967 024401 |
| (Dump From Seat) | |
| OCDC Kit..... | 966 488701 |
| (Operator Controlled Discharge Chute) | |

CONTENTS

| | | | |
|---------------------------|----|---------------------------------|----|
| FRAME..... | 4 | WHEELS / TIRES..... | 16 |
| ENGINE PLATE..... | 6 | MOWER LIFT / DECK LIFT..... | 18 |
| STEERING | 8 | MOWING DECK / CUTTING DECK..... | 20 |
| IGNITION / FUEL | 10 | SEAT | 22 |
| PARKING BRAKE | 12 | DECALS | 24 |
| HYDRAULIC PUMP-MOTOR..... | 14 | PROTECTION FRAME | 26 |

NOTE: ALL FASTENERS ARE GRADE 5 UNLESS OTHERWISE SPECIFIED.

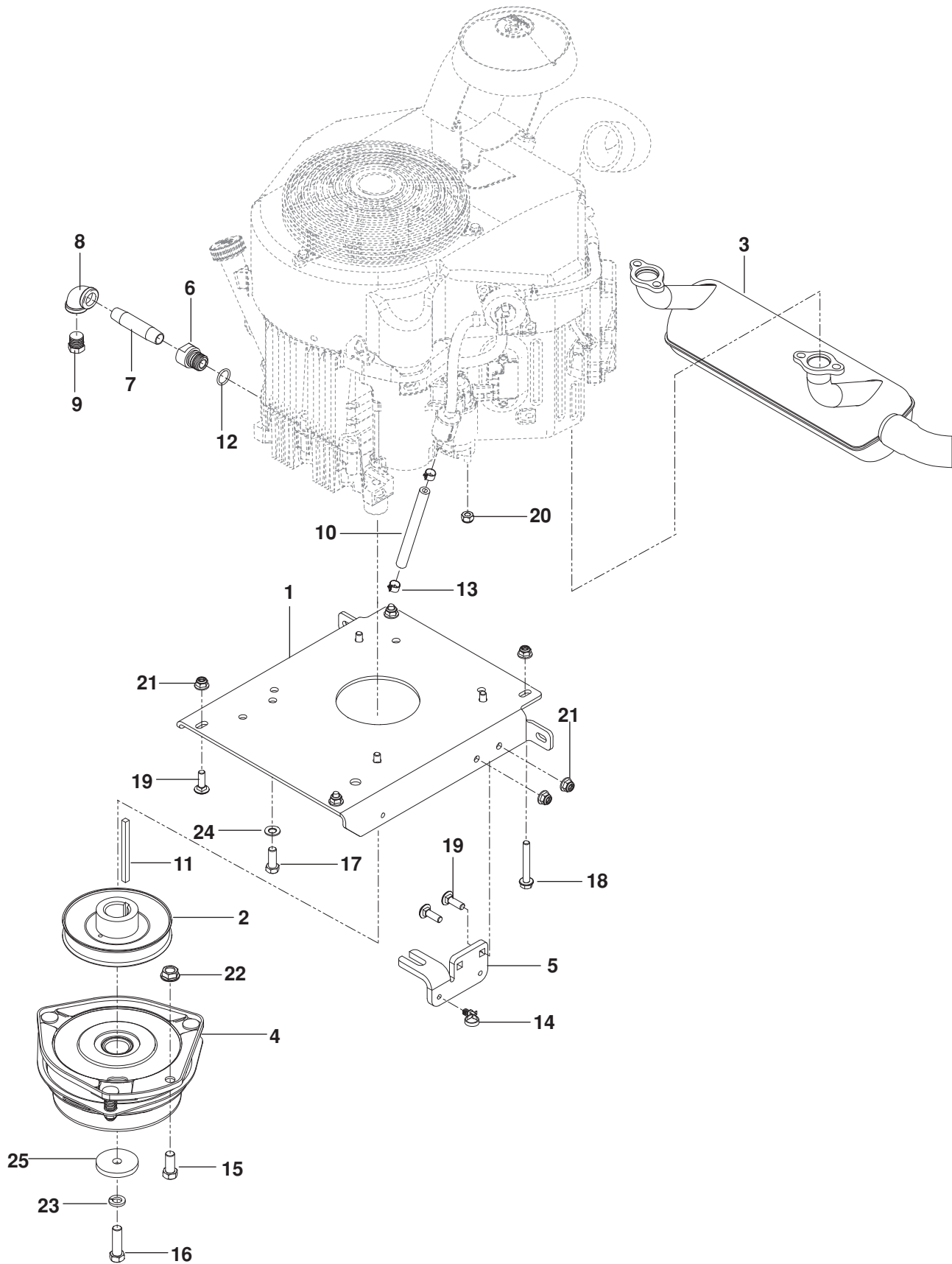
FRAME



FRAME

| ITEM | PART NO. | QTY. | DESCRIPTION | ITEM | PART NO. | QTY. | DESCRIPTION |
|------|----------------|------|---|------|----------------|------|---|
| 1.. | 574 482801.... | 1 |FRAME w/ SAFETY DECALS | 16.. | 539 109867.... | 1 |CLAMP, DOUBLE TUBE |
| 2.. | 574 215602.... | 1 |FLOORPAN | 17.. | 525 612801.... | 4 |HHFS $\frac{3}{8}$ -16 x 1 |
| 3.. | 574 215702.... | 1 |FOOTREST | 18.. | 574 233801.... | 2 |HHFS $\frac{5}{16}$ -18 x 2 $\frac{1}{4}$ |
| 4.. | 522 675702.... | 1 |BUMPER, REAR | 19.. | 539 131780.... | 2 |HHFS $\frac{5}{16}$ -18 x 3 $\frac{3}{4}$ |
| 5.. | 574 221602.... | 1 |GUARD, REAR | 20.. | 525 544001.... | 2 |HHFS $\frac{5}{16}$ -18 x 1 $\frac{1}{4}$ TPBLT |
| 6.. | 574 228602.... | 1 |PLATE, SKID | 21.. | 525 464701.... | 7 |HHFS $\frac{5}{16}$ -18 x $\frac{3}{4}$ |
| 7.. | 510 083201.... | 4 |MOUNT, F/F INSERT | 22.. | 539 990858.... | 6 |HCS $\frac{5}{16}$ -18 x $\frac{1}{2}$ SLF TAP |
| 8.. | 529 279603.... | 1 |MOUNT, TANK RT RR BLK | 23.. | 539 100145.... | 2 |RHSNB $\frac{3}{8}$ -16 x 2 |
| 9.. | 529 279703.... | 1 |MOUNT, TANK LT RR BLK | 24.. | 539 113226.... | 6 |BOLT $\frac{5}{16}$ -18 x 1 THD FRM |
| 10.. | 529 279903.... | 1 |MOUNT, TANK RT FRT | 25.. | 539 111028.... | 2 |NUTSERT $\frac{5}{16}$ -18 |
| 11.. | 529 280003.... | 1 |MOUNT, TANK LT FRT | 26.. | 521 996501.... | 7 |NUT $\frac{3}{8}$ -16 HEX FLG NYLOC |
| 12.. | 510 040301.... | 2 |BRACKET, REST MOUNT | 27.. | 539 108120.... | 2 |NUT $\frac{1}{4}$ -20 HEX THIN NYLOC |
| 13.. | 539 102845.... | 4 |SPRING | 28.. | 539 112899.. | 14 |NUT $\frac{5}{16}$ -18 HEX FLG NYLOC |
| 14.. | 575 811501.... | 2 |BUMPER $\frac{1}{4}$ -20 STUD $\frac{3}{8}$ " | 29.. | 539 109600.. | 12 |WASHER $\frac{5}{16}$ DISC SPRING |
| 15.. | 539 102502.... | 4 |STUD, FUEL TANK | 30.. | 539 990188.... | 4 |WASHER $\frac{5}{16}$ SAE FLT |

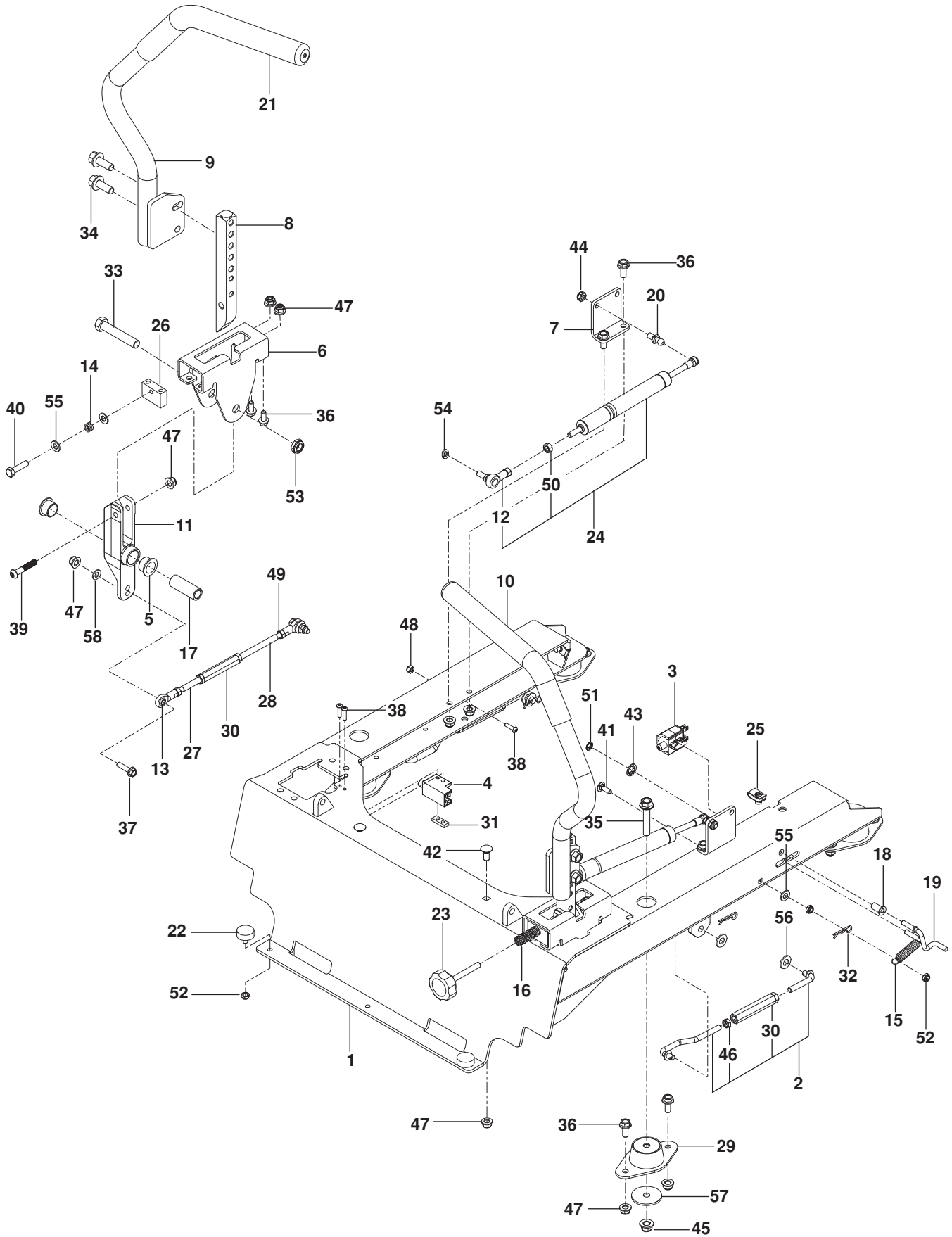
ENGINE PLATE



ENGINE PLATE

| ITEM | PART NO. | QTY. | DESCRIPTION | ITEM | PART NO. | QTY. | DESCRIPTION |
|------|----------------|------|---------------------------|-----------|----------------|------|-----------------------------------|
| 1.. | 510 004602.... | 1 | PLATE, ENGINE | 15.. | 539 100143.... | 1 | HCS 7/16-14 x 1 HEX NYLOC |
| 2.. | 510 019801.... | 1 | PULLEY, ENGINE | 16.. | 581 332801.... | 1 | HCS 7/16-20 x 1 1/2 HEX NYL |
| 3.. | 525 750301.... | 1 | MUFFLER | 17.. | 539 990563.... | 4 | HCS 3/8-16 x 1 HEX NYLOC |
| 4.. | 525 749501.... | 1 | CLUTCH, GT 3.5 | 18.. | 574 233801.... | 2 | HHFS 5/16-18 x 2 1/4 HEX FLG |
| 5.. | 522 676702.... | 1 | STOP, CLUTCH | 19.. | 539 990208.... | 2 | RHSNB 5/16-18 x 1 |
| 6.. | 539 119680.... | 1 | ADAPTOR, OIL DRAIN | 20.. | 539 103153.... | 1 | NUT M8X1.25 NYLOC |
| 7.. | 539 118911.... | 2 | PIPE 3/8 NPT x 3" | 21.. | 539 112899.... | 8 | NUT 5/16-18 HEX FLG NYLOC |
| 8.. | 539 105072.... | 1 | ELBOW 90° | 22.. | 539 102582.... | 1 | NUT 7/16-14 HEX WHIZ LK |
| 9.. | 522 837001.... | 1 | PLUG, DRAIN 3/8 NPTF | 23.. | 539 990247.... | 1 | WASHER 7/16 SLW |
| 10.. | 539 932956.... | 1 | FUEL LINE 10" | 24.. | 539 102593.... | 4 | WASHER 3/8 SPRING |
| 11.. | 525 749901.... | 1 | KEY 1/4 SQ x 3 1/2 | 25.. | 539 125626.... | 1 | WASHER, HEAVY |
| 12.. | 539 109618.... | 1 | O-RING | NOT SHOWN | | | |
| 13.. | 539 912222.... | 2 | CLAMP, HOSE | | 525 554201.... | 1 | ENGINE HARNESS, KAW |
| 14.. | 505 280001.... | 1 | TIE WRAP w/ CLIP | | 574 825801.... | 1 | KIT, SPARK ARRESTOR |

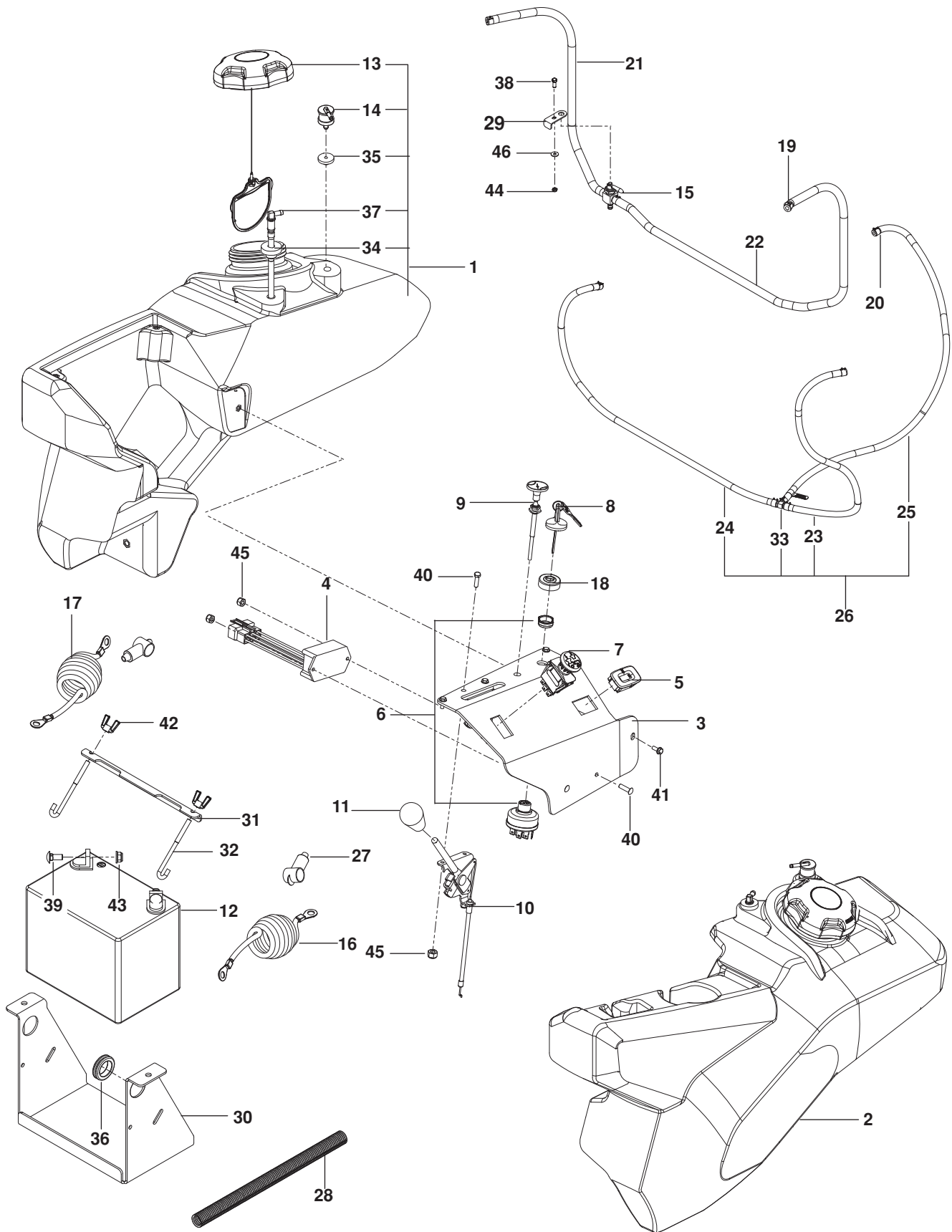
STEERING



STEERING

| ITEM | PART NO. | QTY. | DESCRIPTION | ITEM | PART NO. | QTY. | DESCRIPTION |
|------|-----------------|------|------------------------|------|-----------------|------|--------------------------------|
| 1.. | 577 327702....1 | | FRAME MOUNT ORG | 31.. | 581 223001....2 | | PLATE, TAPPED |
| 2.. | 525 447901....1 | | SEAT STRUT ASSY | 32.. | 539 976988....4 | | HAIRPIN COTTER |
| 3.. | 539 113792....1 | | SWITCH, BRAKE (3-POLE) | 33.. | 539 101332....2 | | HHFS 1/2-13 x 2 3/4 |
| 4.. | 539 109553....2 | | SWITCH, INTERLOCK | 34.. | 525 612801....4 | | HHFS 3/8-16 x 1 |
| 5.. | 539 131518....4 | | BEARING, FLANGE | 35.. | 525 866201....4 | | HHFS 3/8-16 x 2 |
| 6.. | 577 251701....2 | | BRACKET, CONTROL | 36.. | 525 464701...20 | | HHFS 5/16-18 x 3/4 HEX FLG |
| 7.. | 577 265801....2 | | BRACKET, DAMPENER | 37.. | 525 544001....4 | | HHFS 5/16-18 x 1 1/4 TPBLT |
| 8.. | 574 269401....2 | | LEVER, MOTION | 38.. | 574 822701....6 | | SCREW 10-24 x 3/4 SKT HD |
| 9.. | 577 042403....1 | | LEVER w/ GRIP RT | 39.. | 576 850402....2 | | SCREW 5/16-18 x 1 3/4 BTN HD |
| 10.. | 577 042303....1 | | LEVER w/ GRIP LT | 40.. | 539 990627....1 | | BOLT 5/16-18 x 1 1/4 HEX TPBLT |
| 11.. | 576 140302....2 | | LEVER, CONTROL | 41.. | 539 990074....1 | | RHSNB 1/4-20 x 3/4 GR2 |
| 12.. | 539 131749....1 | | ROD END, SPHERICAL | 42.. | 539 990316....2 | | RHSNB 5/16-18 x 3/4 |
| 13.. | 539 102590....4 | | BALL END | 43.. | 539 913847....2 | | RETAINER NUT 3/8 |
| 14.. | 539 102845....1 | | SPRING | 44.. | 539 990717....2 | | NUT 5/16-18 HEX NYLOC |
| 15.. | 539 020035....1 | | SPRING | 45.. | 521 996501....4 | | NUT 3/8-16 HEX FLG NYLOC |
| 16.. | 576 850301....1 | | SPRING | 46.. | 539 108732....4 | | NUT 3/8-24 HEX JAM |
| 17.. | 577 252401....2 | | SPACER, PIVOT | 47.. | 539 112899...12 | | NUT 5/16-18 HEX FLG NYLOC |
| 18.. | 511 594901....1 | | BUSHING 1/4 FLANGE | 48.. | 539 976977....2 | | NUT 10-24 HEX NYLOC |
| 19.. | 511 595001....1 | | LINK, SWITCH | 49.. | 539 990223....4 | | NUT 5/16-24 HEX |
| 20.. | 539 110607....2 | | BALL STUD 10MM | 50.. | 539 127046....1 | | NUT M8 x 1.25 HEX STD |
| 21.. | 539 130894....2 | | GRIP, LEVER | 51.. | 539 102234....1 | | NUT 1/4 PUSH |
| 22.. | 575 811501....2 | | BUMPER | 52.. | 539 108120....4 | | NUT 1/4-20 HEX THIN NYLOC |
| 23.. | 539 131799....1 | | KNOB | 53.. | 539 108010....2 | | NUT 1/2-13 HEX JAM NYLOC |
| 24.. | 516 020301....2 | | DAMPENER ASSY | 54.. | 539 990187....2 | | WASHER 5/16 SLW |
| 25.. | 539 104763....4 | | RETAINER, U TYPE | 55.. | 539 990188....4 | | WASHER 5/16 SAE FLAT |
| 26.. | 577 251801....2 | | BLOCK, TRACKING | 56.. | 539 990122....4 | | WASHER 3/8 SAE FLT |
| 27.. | 522 559201....2 | | LINKAGE. CONTROL RT | 57.. | 539 111897....4 | | WASHER, SPECIAL |
| 28.. | 522 842801....2 | | LINKAGE, CONTROL RR | 58.. | 539 990692....4 | | WASHER 5/16 STD FLT |
| 29.. | 510 082101....4 | | MOUNT, ISO | | | | |
| 30.. | 539 109149....4 | | TURNBUCKLE | | | | |

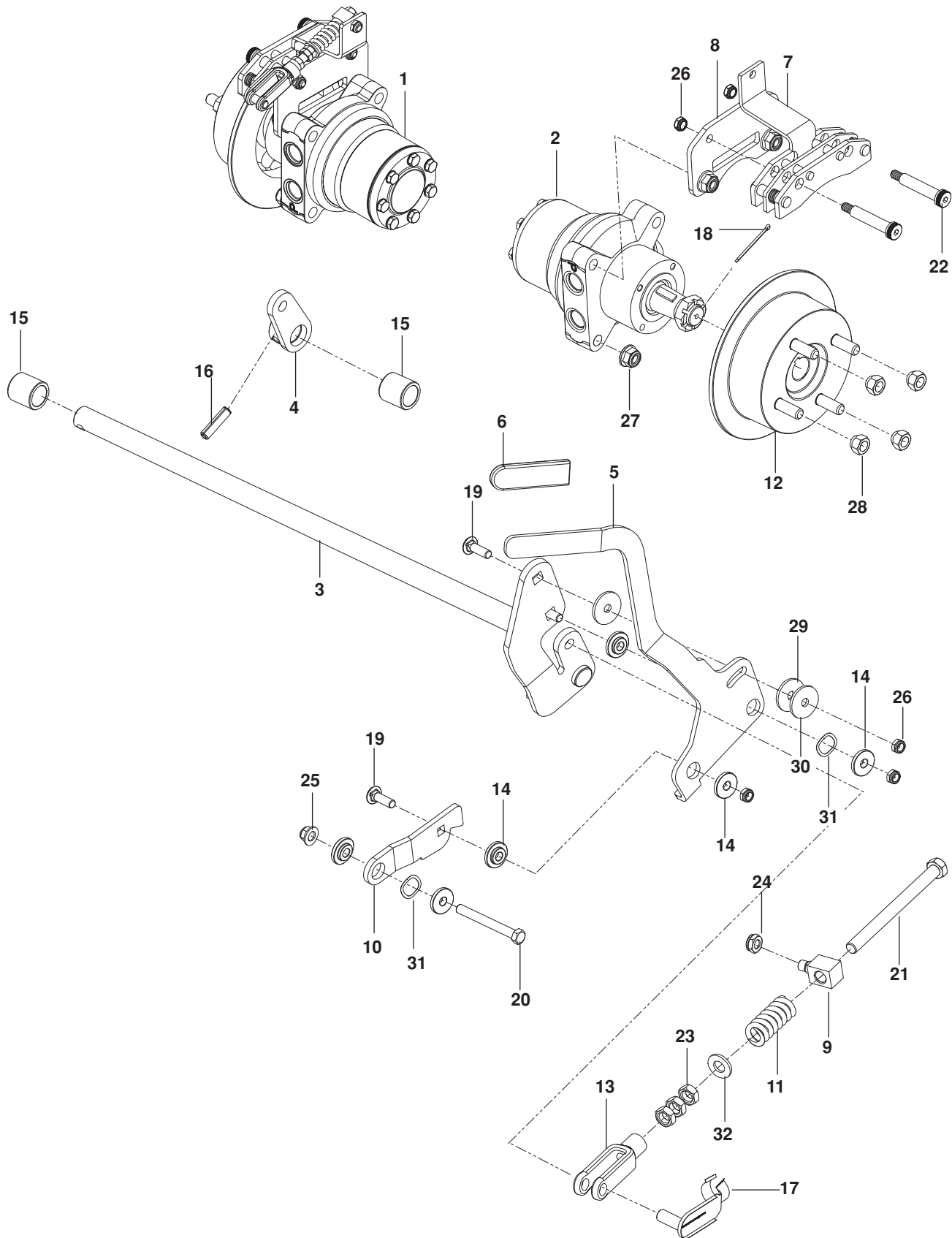
IGNITION / FUEL



IGNITION / FUEL

| ITEM | PART NO. | QTY. | DESCRIPTION | ITEM | PART NO. | QTY. | DESCRIPTION |
|------|----------------|------|---------------------------------------|----------------|----------------|-----------------|--|
| 1.. | 584 280401.... | 1 | TANK ASSY, RT GRY | 25.. | 576 660604.... | 1 | HOSE ³ / ₁₆ 30" |
| 2.. | 584 280301.... | 1 | TANK ASSY, LT GRY | 26.. | 576 547701.... | 1 | VAPOR LINE ASSY |
| 3.. | 529 280202.... | 1 | PANEL, CONTROL | 27.. | 539 102759.... | 2 | INSULATOR |
| 4.. | 574 514001.... | 1 | TIMER, SEAT | 28.. | 574 235301.... | 1 | LOOM ⁵ / ₈ SPLIT |
| 5.. | 532 401763.... | 1 | HOUR METER | 29.. | 577 104002.... | 1 | BRACKET, VALVE |
| 6.. | 574 455401.... | 1 | SWITCH, IGNITION | 30.. | 510 029902.... | 1 | BRACKET, BATTERY BLK |
| 7.. | 539 131627.... | 1 | SWITCH, PTO 10 AMP | 31.. | 510 030001.... | 1 | BRACKET, BATTERY MOUNT |
| 8.. | 574 455501.... | 1 | KEY, IGNITION | 32.. | 510 064001.... | 2 | J HOOK |
| 9.. | 574 206901.... | 1 | CABLE, CHOKE | 33.. | 574 206602.... | 1 | TEE ³ / ₁₆ FUEL LINE |
| 10.. | 574 207001.... | 1 | CABLE, THROTTLE | 34.. | 539 105245.... | 2 | GROMMET, RUBBER |
| 11.. | 539 132624.... | 1 | KNOB | 35.. | 584 648201.... | 2 | GROMMET, CHECK VALVE |
| 12.. | 539 102436.... | 1 | BATTERY | 36.. | 539 105974.... | 1 | GROMMET |
| 13.. | 575 018101.... | 2 | CAP w/ TETHER, FUEL | 37.. | 525 865401.... | 2 | FITTING, FUEL |
| 14.. | 576 618101.... | 2 | VALVE, FUEL CHECK | 38.. | 539 990580.... | 1 | HCS ¹ / ₄ -20 x ³ / ₄ |
| 15.. | 539 102679.... | 1 | VALVE, FUEL | 39.. | 539 990316.... | 2 | RHSNB ⁵ / ₁₆ -18 x ³ / ₄ |
| 16.. | 522 718701.... | 1 | CABLE, POSITIVE | 40.. | 574 822701.... | 4 | SCREW 10-24 x ³ / ₄ SKT HD |
| 17.. | 522 710701.... | 1 | CABLE, NEGATIVE | 41.. | 539 114341.... | 3 | SCREW 10-24 x ³ / ₈ SKT HD |
| 18.. | 539 103178.... | 1 | CAP, IGNITION SWITCH | 42.. | 539 990997.... | 2 | WINGNUT ¹ / ₄ -20 NYLOC |
| 19.. | 539 912222.... | 4 | CLAMP, HOSE | 43.. | 539 112899.... | 2 | NUT ⁵ / ₁₆ -18 HEX FLG NYLOC |
| 20.. | 575 436501.... | 6 | CLAMP, HOSE | 44.. | 539 108120.... | 1 | NUT ¹ / ₄ -20 HEX THIN NYLOC |
| 21.. | 577 103901.... | 1 | LINE 22" FUEL | 45.. | 539 976977.... | 4 | NUT 10-24 HEX NYLOC |
| 22.. | 577 103902.... | 1 | LINE 38" FUEL | 46.. | 539 990598.... | 1 | WASHER ¹ / ₄ FLAT |
| 23.. | 576 660603.... | 1 | HOSE ³ / ₁₆ 21" | NOT SHOWN | | | |
| 24.. | 576 660601.... | 1 | HOSE ³ / ₁₆ 39" | 510 093601.... | 1 | HARNESS, WIRING | |

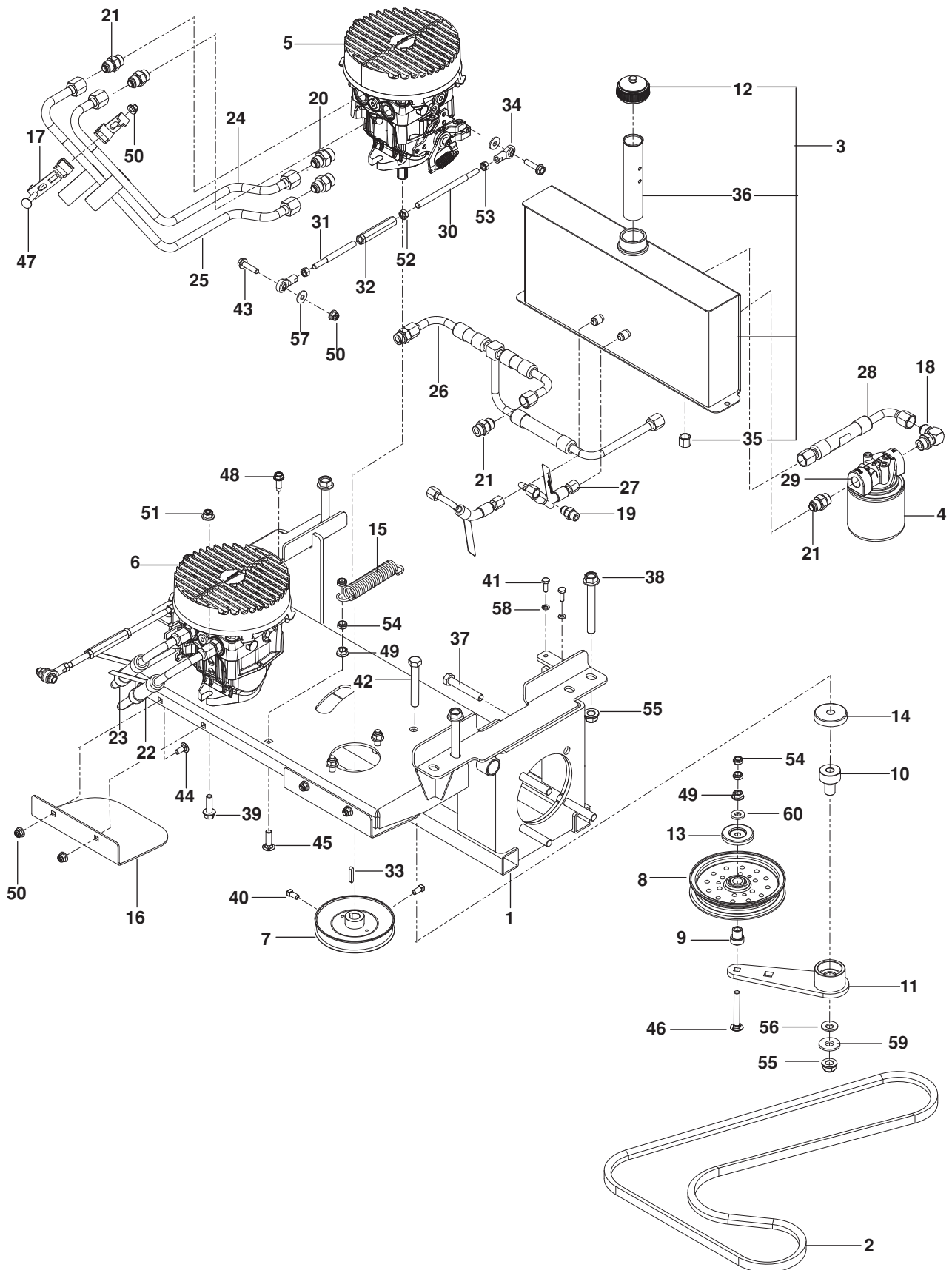
PARKING BRAKE



PARKING BRAKE

| ITEM | PART NO. | QTY. | DESCRIPTION | ITEM | PART NO. | QTY. | DESCRIPTION |
|------|----------------|------|-----------------------------------|------|----------------|------|---|
| 1.. | 574 805202.... | 1 | MOTOR, RT | 17.. | 522 705901.... | 1 | PIN $\frac{3}{8}$ CLEVIS SPRING |
| 2.. | 574 805201.... | 1 | MOTOR, LT | 18.. | 539 102889.... | 2 | COTTER PIN $\frac{1}{8}$ x 2 |
| 3.. | 525 851201.... | 1 | SHAFT, BRAKE | 19.. | 539 100413.... | 3 | RHSNB $\frac{3}{8}$ -16 x $1\frac{1}{4}$ |
| 4.. | 510 025901.... | 1 | ARM, RT BRAKE | 20.. | 539 923463.... | 1 | HHFS $\frac{3}{8}$ -16 x $3\frac{1}{4}$ |
| 5.. | 515 980002.... | 1 | LEVER, BRAKE | 21.. | 539 104984.... | 1 | HHFS $\frac{3}{8}$ -24 x $4\frac{1}{2}$ |
| 6.. | 539 976526.... | 1 | GRIP, LEVER | 22.. | 516 035501.... | 4 | BOLT $\frac{1}{2}$ x $2\frac{1}{4}$, $\frac{3}{8}$ -16 SHLDR |
| 7.. | 539 133047.... | 2 | CALIPER | 23.. | 539 108732.... | 3 | NUT $\frac{3}{8}$ -24 HEX JAM |
| 8.. | 525 851601.... | 2 | PLATE, CALIPER | 24.. | 539 115617.... | 1 | NUT $\frac{5}{16}$ -18 HEX NYLOC INS |
| 9.. | 525 851401.... | 1 | SWIVEL, BRAKE | 25.. | 521 996501.... | 1 | NUT $\frac{3}{8}$ -16 HEX FLG NYLOC |
| 10.. | 515 980301.... | 1 | LINK, FOLLOWER | 26.. | 539 200282.... | 9 | NUT $\frac{3}{8}$ -16 HEX JAM NYLOC |
| 11.. | 539 113952.... | 1 | SPRING | 27.. | 521 991101.... | 8 | NUT $\frac{1}{2}$ -13 HEX FLG NYLOC |
| 12.. | 525 848701.... | 2 | HUB, DISC BRAKE w/ STUDS | 28.. | 539 101173.... | 8 | LUG NUT $\frac{1}{2}$ |
| 13.. | 539 977465.... | 1 | YOKE | 29.. | 525 490901.... | 2 | WASHER, FRICTION |
| 14.. | 539 132161.... | 6 | BUSHING, BRAKE | 30.. | 539 912063.... | 1 | WASHER, CONE |
| 15.. | 510 089201.... | 2 | BUSHING, SLEEVE $\frac{3}{4}$ x 1 | 31.. | 539 133007.... | 2 | WASHER, WAVE |
| 16.. | 539 110631.... | 1 | ROLL PIN $\frac{5}{16}$ " DIA. | 32.. | 539 990122.... | 1 | WASHER $\frac{3}{8}$ SAE FLT |

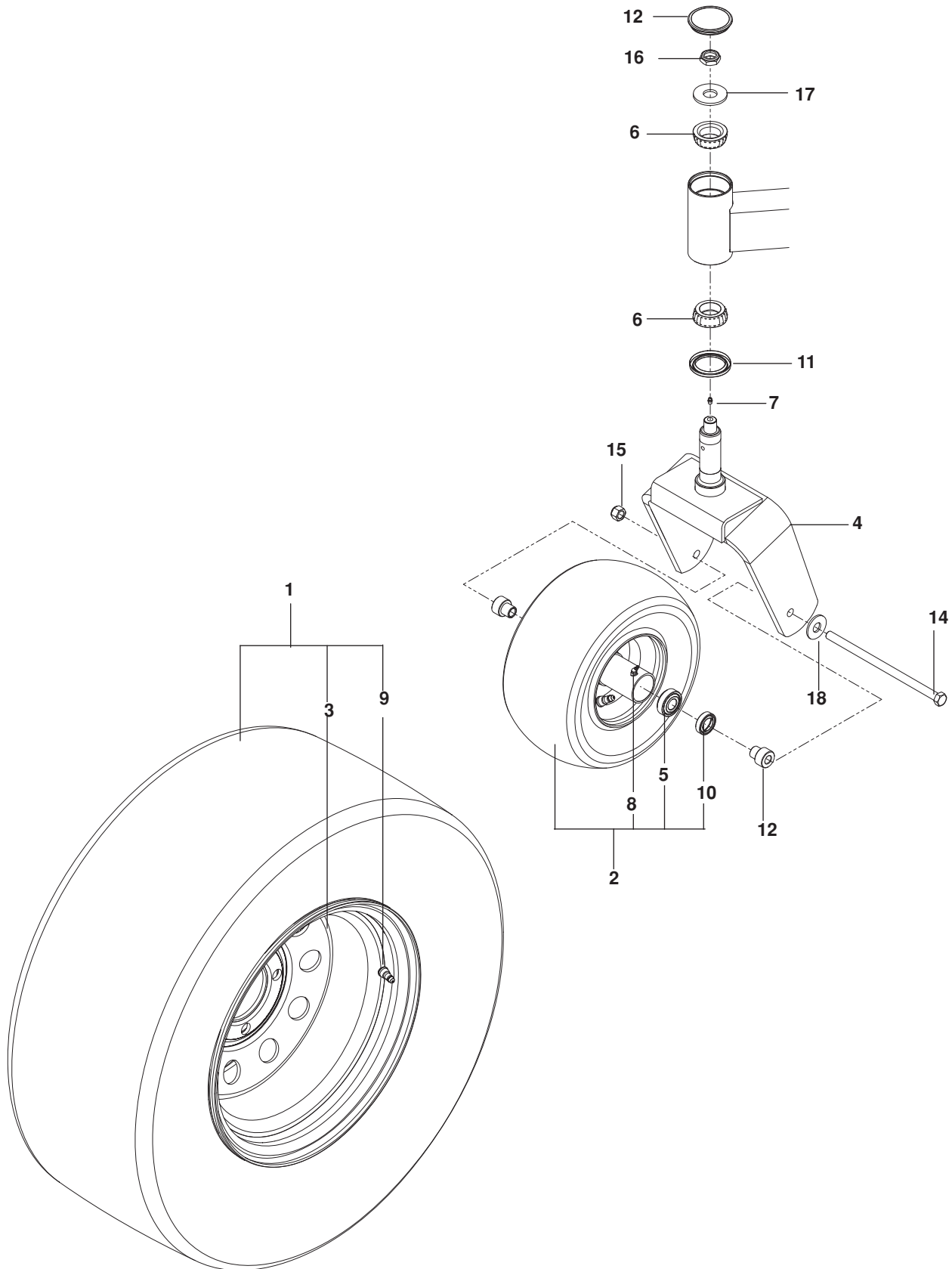
HYDRAULIC PUMP-MOTOR



HYDRAULIC PUMP-MOTOR

| ITEM | PART NO. | QTY. | DESCRIPTION | ITEM | PART NO. | QTY. | DESCRIPTION |
|------|----------------|------|-------------------------------|------|----------------|------|----------------------------------|
| 1.. | 506 007902.... | 1 | FRAME, SUB | 32.. | 539 109149.... | 2 | TURNBUCKLE 3/8 |
| 2.. | 573 978301.... | 1 | BELT | 33.. | 539 101177.... | 2 | KEY, METRIC |
| 3.. | 576 035902.... | 1 | OIL TANK ASSY | 34.. | 539 102590.... | 4 | BALL END, RT |
| 4.. | 522 805401.... | 1 | FILTER, 25 MICRON | 35.. | 539 105168.... | 1 | CAP |
| 5.. | 506 120401.... | 1 | PUMP, 16CC RT | 36.. | 522 805001.... | 1 | TUBE, ANTI-SPLASH |
| 6.. | 506 120501.... | 1 | PUMP, 16CC LT | 37.. | 539 101332.... | 8 | HHFS 1/2-13 x 2 3/4 HEX |
| 7.. | 510 019002.... | 2 | PULLEY, PUMP, 17MM | 38.. | 525 544801.... | 4 | HHFS 1/2-13 x 4 HEX FLG |
| 8.. | 510 283702.... | 1 | PULLEY, IDLER | 39.. | 525 834201.... | 4 | HHFS 3/8-16 x 1 1/4 HEX FLG |
| 9.. | 525 435601.... | 1 | PIVOT, IDLER | 40.. | 539 102717.... | 4 | SCREW 5/16-18 x 5/8 SET |
| 10.. | 510 206301.... | 1 | PIVOT, BEARING | 41.. | 539 990072.... | 2 | HCS 1/4-20 x 5/8 HEX |
| 11.. | 510 041603.... | 1 | ARM, IDLER, w/ BEARINGS | 42.. | 539 103433.... | 1 | HCS 1/2-13 x 3 1/4 HEX |
| 12.. | 522 805301.... | 1 | CAP, HYDRAULIC | 43.. | 525 544001.... | 4 | HCS 5/16-18 x 1 1/4 TPBLT |
| 13.. | 510 254501.... | 1 | SHIELD, DUST | 44.. | 539 990316.... | 4 | RHSNB 5/16-18 x 3/4 |
| 14.. | 539 114662.... | 1 | SHIELD, DUST | 45.. | 539 100413.... | 1 | RHSNB 3/8-16 x 1 1/4 |
| 15.. | 577 437201.... | 1 | SPRING, PUMP | 46.. | 539 130235.... | 1 | RHSNB 3/8-16 x 2 3/4 |
| 16.. | 574 398502.... | 2 | SHIELD, PULLEY | 47.. | 539 102933.... | 1 | RHSNB 5/16-18 x 1 1/2 |
| 17.. | 576 577701.... | 2 | VIBRATION ASSY | 48.. | 539 113226.... | 2 | BOLT 5/16-18 x 1 THD FRM |
| 18.. | 539 101242.... | 1 | ELBOW 90° ADJ | 49.. | 539 990613.... | 1 | NUT 3/8-16 HEX WHIZLK |
| 19.. | 539 103316.... | 2 | CONNECTOR | 50.. | 539 112899.... | 5 | NUT 5/16-18 HEX FLG NYLOC |
| 20.. | 539 101239.... | 4 | CONNECTOR, STRAIGHT | 51.. | 521 996501.... | 4 | NUT 3/8-16 HEX FLG NYLOC |
| 21.. | 539 101237.... | 7 | CONNECTOR, STRAIGHT | 52.. | 539 108732.... | 2 | NUT 3/8-24 HEX JAM |
| 22.. | 510 013601.... | 1 | LINE, HYDRAULIC, RT-A | 53.. | 539 990223.... | 4 | NUT 5/16-24 HEX |
| 23.. | 510 013701.... | 1 | LINE, HYDRAULIC, RT-B | 54.. | 539 200282.... | 8 | NUT 3/8-16 HEX JAM NYLOC |
| 24.. | 510 013801.... | 1 | LINE, HYDRAULIC, LT-A | 55.. | 521 991101.... | 5 | NUT 1/2-13 HEX FLG NYLOC |
| 25.. | 510 013901.... | 1 | LINE, HYDRAULIC, LT-B | 56.. | 539 115528.... | 1 | WASHER 1/2" BELLEVILLE |
| 26.. | 510 014001.... | 1 | LINE, HYDRAULIC, CHARGE | 57.. | 539 990692.... | 4 | WASHER 5/16 STD FLT |
| 27.. | 510 014501.... | 2 | LINE, HYDRAULIC, CASE | 58.. | 539 990052.... | 2 | WASHER 1/4 SPLTLK |
| 28.. | 510 010701.... | 1 | LINE, HYDRAULIC, SUCTION | 59.. | 539 109554.... | 1 | WASHER 1/2 FLT |
| 29.. | 575 872301.... | 1 | FILTER HEAD | 60.. | 522 023401.... | 1 | WASHER 3/8 THICK |
| 30.. | 522 842801.... | 2 | LINKAGE, CONTROL, RR | | | | |
| 31.. | 522 559201.... | 2 | LINKAGE, CONTROL, FT | | | | |

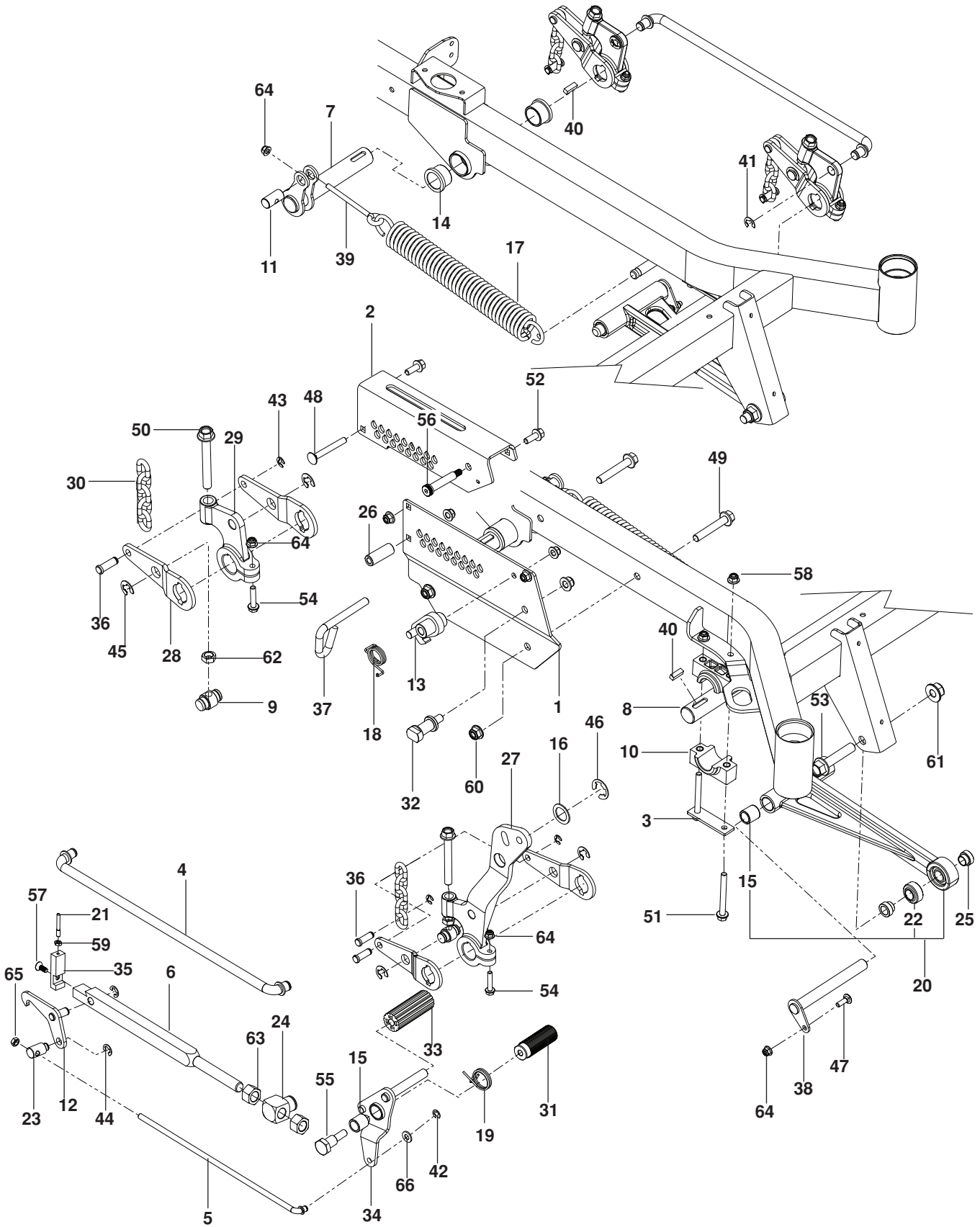
WHEELS / TIRES



WHEELS / TIRES

| ITEM | PART NO. | QTY. | DESCRIPTION | ITEM | PART NO. | QTY. | DESCRIPTION |
|------|----------------|------|------------------------------|----------------|----------------|---------------------------------------|-------------------------------|
| 1.. | 510 154501.... | 2 | TIRE ASSY 24 x 12 REAR | 12.. | 510 034001.... | 2 | CAP, DUST |
| 2.. | 510 154601.... | 2 | TIRE ASSY 13 x 6.5, FLT FREE | 13.. | 539 105518.... | 4 | SPACER, AXLE |
| 3.. | 510 154502.... | 2 | RIM 12 x 1.125 NEG OFFSET | 14.. | 539 105517.... | 2 | BOLT 1/2-13 x 9 1/2 HEX NYLOC |
| 4.. | 525 611902.... | 2 | FORK, CASTER | 15.. | 521 991101.... | 2 | NUT 1/2-13 HEX FLG NYLOC |
| 5.. | 539 105525.... | 2 | BEARING (CUP AND CONE) | 16.. | 522 842601.... | 2 | NUT 3/4-16 HEX THIN NYLOC |
| 6.. | 510 034401.... | 4 | BEARING, TAPERED | 17.. | 574 824701.... | 2 | WASHER 3/4 HARDENED |
| 7.. | 539 101474.... | 2 | ZERK | 18.. | 539 990250.... | 2 | WASHER 1/2 SAE |
| 8.. | 539 103300.... | 2 | ZERK | NOT SHOWN | | | |
| 9.. | 539 912234.... | 2 | STEM, VALVE | 539 105521.... | 2 | TIRE ASSY 13 x 6.5 PNEU (optional) | |
| 10.. | 539 105524.... | 2 | SEAL, CASTER TIRE | | | | |
| 11.. | 510 034301.... | 2 | SEAL, BEARING | | | | |

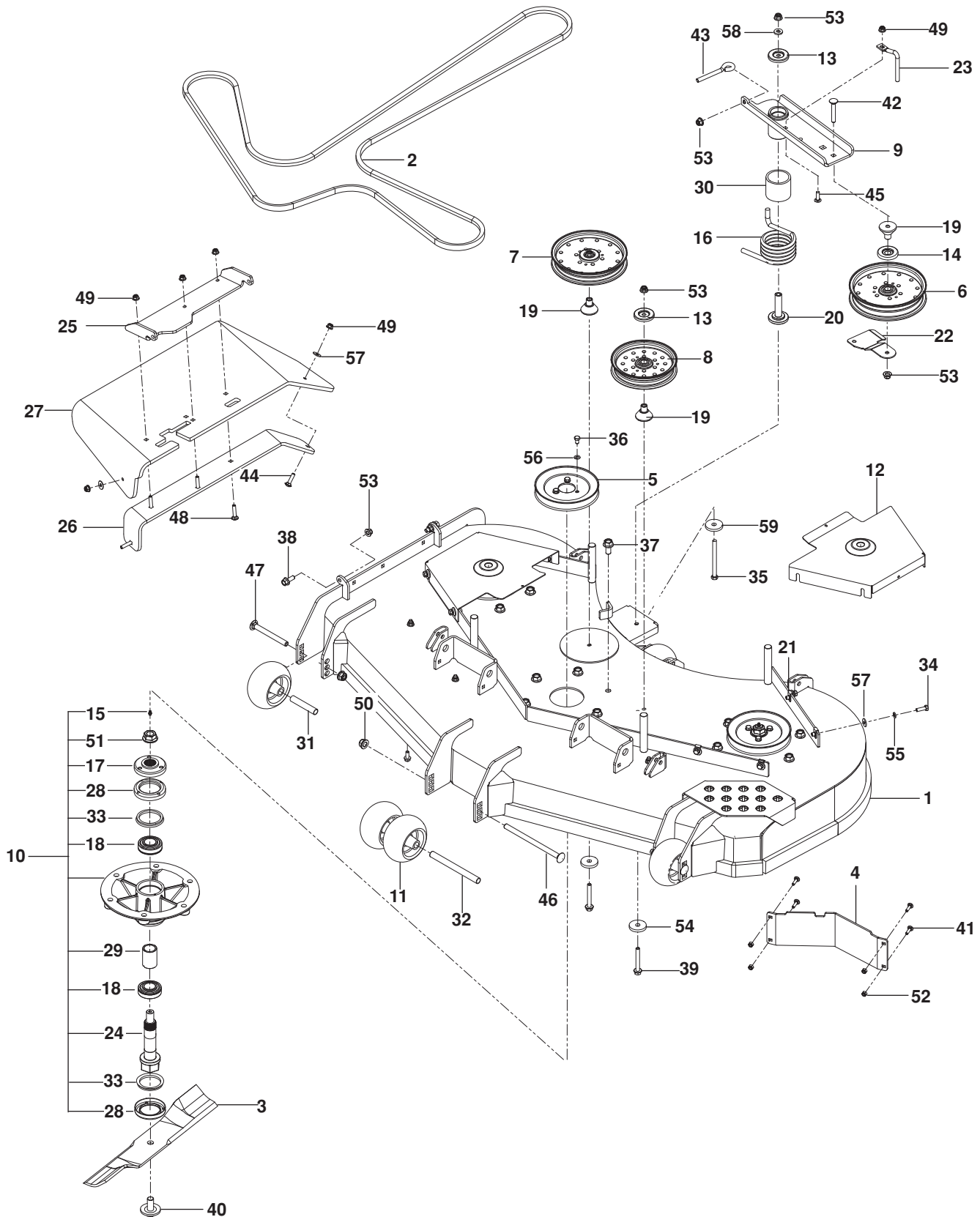
MOWER LIFT / DECK LIFT



MOWER LIFT / DECK LIFT

| ITEM | PART NO. | QTY. | DESCRIPTION | ITEM | PART NO. | QTY. | DESCRIPTION |
|------|----------------|------|--|------|----------------|------|---|
| 1.. | 510 408502.... | 1 | PLATE, INNER HEIGHT ORG | 34.. | 510 407801.... | 1 | PEDAL, RELEASE |
| 2.. | 510 408602.... | 1 | PLATE, OUTER HEIGHT ORG | 35.. | 510 406501.... | 1 | CAP, HEIGHT BAR |
| 3.. | 525 822201.... | 2 | PLATE, PILLOW BLOCK | 36.. | 510 090101.... | 8 | PIN ⁷ / ₁₆ CLEVIS |
| 4.. | 510 089801.... | 2 | ROD, LIFT | 37.. | 510 016501.... | 1 | PIN, HEIGHT |
| 5.. | 510 407601.... | 1 | ROD, HEIGHT LATCH | 38.. | 515 988201.... | 2 | PIN, STRUT |
| 6.. | 510 406301.... | 1 | BAR, HEIGHT | 39.. | 539 120993.... | 2 | EYEBOLT 4 ¹ / ₂ |
| 7.. | 510 410703.... | 2 | SHAFT, LIFT RR | 40.. | 525 822501.... | 4 | KEY ⁵ / ₁₆ SQ x 1 |
| 8.. | 510 409602.... | 1 | SHAFT, LIFT FT | 41.. | 539 105069.... | 4 | E-RING ⁵ / ₈ " |
| 9.. | 510 023601.... | 4 | TRUNION, LIFT SHAFT | 42.. | 539 990870.... | 1 | E- RING ³ / ₈ " |
| 10.. | 510 023902.... | 4 | BLOCK, PILLOW | 43.. | 522 705201.... | 4 | E-RING ⁷ / ₁₆ " |
| 11.. | 510 412301.... | 2 | PIVOT, SPRING | 44.. | 539 101949.... | 2 | E-RING ¹ / ₂ " |
| 12.. | 510 407201.... | 1 | LATCH, HEIGHT | 45.. | 539 102454.... | 3 | E-RING ³ / ₄ " |
| 13.. | 510 406801.... | 1 | LATCH, TRANSPORT | 46.. | 539 912730.... | 1 | E-RING 1" |
| 14.. | 510 089401.... | 4 | BUSHING, FLANGED | 47.. | 539 990208.... | 2 | RHSNB ⁵ / ₁₆ -18 x 1 |
| 15.. | 510 089201.... | 2 | BUSHING, SLEEVE ³ / ₄ x 1 | 48.. | 539 122728.... | 1 | RHSNB ³ / ₈ -16 x 3 GR2 |
| 16.. | 539 916561.... | 1 | BUSHING | 49.. | 525 828901.... | 2 | HHFS ¹ / ₂ -13 x 3 |
| 17.. | 510 029201.... | 2 | SPRING, EXTENSION | 50.. | 525 465701.... | 4 | HHFS ¹ / ₂ -13 x 4 TPBLT |
| 18.. | 510 376601.... | 1 | SPRING, TORSION | 51.. | 525 822101.... | 4 | HHFS ³ / ₈ -16 x 3 ¹ / ₂ |
| 19.. | 510 376701.... | 1 | SPRING, TORSION | 52.. | 525 612801.... | 2 | HHFS ³ / ₈ -16 x 1 |
| 20.. | 510 106501.... | 2 | STRUT ASSY | 53.. | 525 829001.... | 2 | HHFS ⁵ / ₈ -11 x 3 |
| 21.. | 510 406601.... | 1 | LINK, INDICATOR | 54.. | 525 465401.... | 1 | HHFS ⁵ / ₁₆ -18 x 1 ¹ / ₂ |
| 22.. | 510 083801.... | 1 | SWIVEL ³ / ₄ BALLJOINT | 55.. | 510 408201.... | 1 | BOLT, SHOULDER |
| 23.. | 510 407501.... | 1 | SWIVEL, HEIGHT LATCH | 56.. | 516 035501.... | 1 | BOLT ¹ / ₂ x 2 ¹ / ₄ , ³ / ₈ -16 SHLDR |
| 24.. | 510 406401.... | 1 | SWIVEL, HEIGHT BAR | 57.. | 522 705601.... | 1 | SCREW ⁵ / ₁₆ -18 x ³ / ₄ HEX SCKT |
| 25.. | 510 362501.... | 4 | SPACER, STRUT | 58.. | 521 996501.... | 4 | NUT ³ / ₈ -16 HEX FLG NYLOC |
| 26.. | 510 408401.... | 1 | SPACER, HEIGHT PLATE | 59.. | 539 991112.... | 1 | NUT ¹ / ₄ -20 JAM |
| 27.. | 510 022502.... | 1 | LEVER, DECK LIFT | 60.. | 521 991101.... | 3 | NUT ¹ / ₂ -13 HEX FLG NYLOC |
| 28.. | 510 410002.... | 4 | ARM, LIFT | 61.. | 525 829101.... | 2 | NUT ⁵ / ₈ -11 FLG NYLOC |
| 29.. | 510 022501.... | 1 | ARM, CAST LIFT | 62.. | 539 990625.... | 4 | NUT ¹ / ₂ -13 HEX JAM |
| 30.. | 539 102641.... | 4 | LIFT CHAIN | 63.. | 539 108677.... | 2 | NUT ³ / ₄ -10 HEX |
| 31.. | 510 089501.... | 1 | PAD, FOOT PEDAL | 64.. | 539 112899.... | 8 | NUT ⁵ / ₁₆ -18 HEX FLG NYLOC |
| 32.. | 510 406701.... | 1 | GUIDE, HEIGHT BAR | 65.. | 539 108732.... | 1 | NUT ³ / ₈ -24 HEX JAM |
| 33.. | 510 408301.... | 1 | PEDAL, DECK HEIGHT | 66.. | 539 990122.... | 1 | WASHER ³ / ₈ SAE FLT |

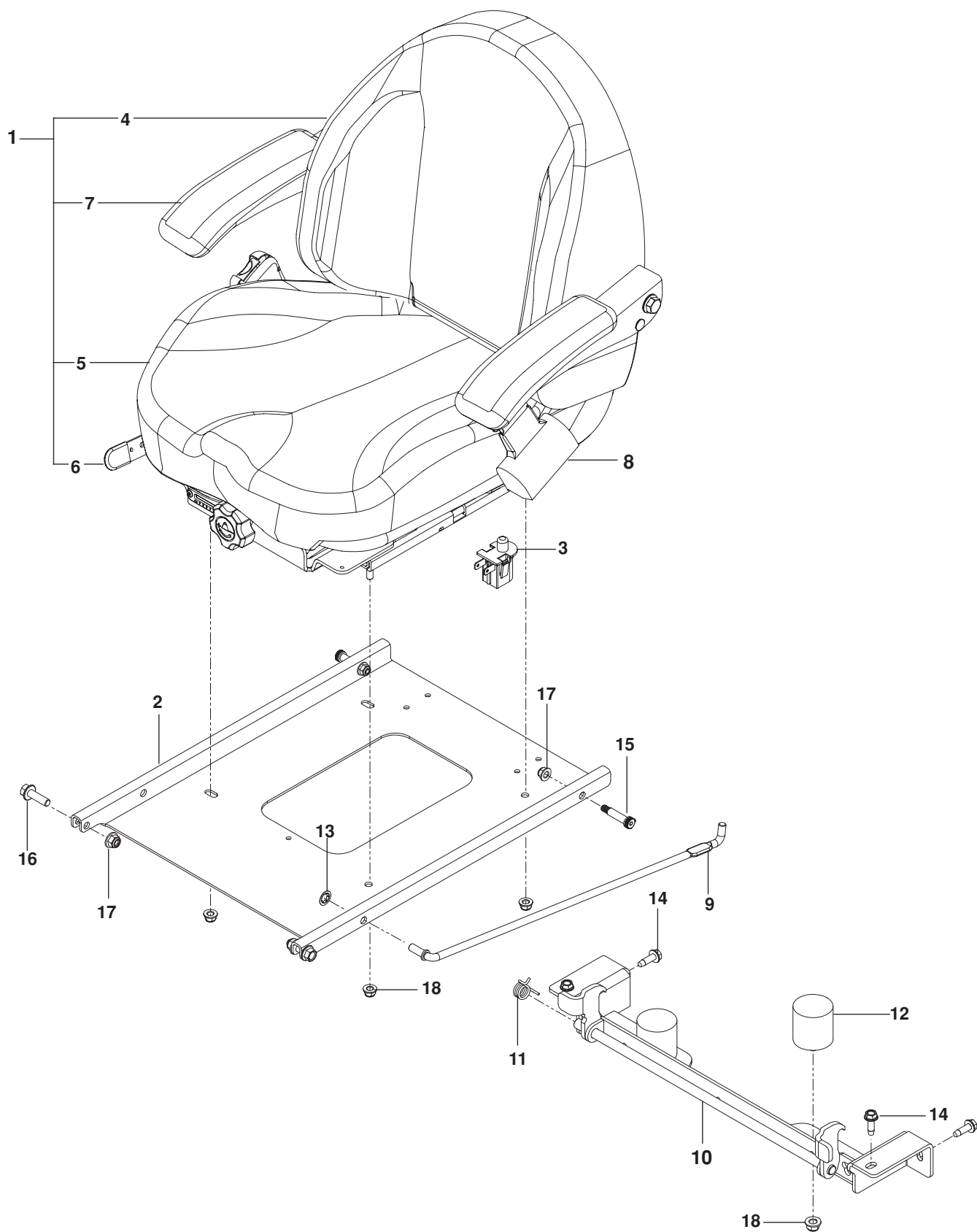
MOWING DECK / CUTTING DECK



MOWING DECK / CUTTING DECK

| ITEM | PART NO. | QTY. | DESCRIPTION | ITEM | PART NO. | QTY. | DESCRIPTION |
|------|----------------|------|------------------------------|----------------------|----------------|-------------------------------|-----------------------------------|
| 1.. | 574 497201.... | 1 | DECK w/ SAFETY DECALS | 33.. | 539 130639.... | 6 | V-RING |
| 2.. | 575 658403.... | 1 | BELT, DECK | 34.. | 539 990209.... | 8 | HCS 5/16-18 x 1 |
| 3.. | 539 105711.... | 3 | BLADE, 21" | 35.. | 539 101686.... | 1 | HCS 3/8-16 x 4 1/2 GR8 |
| 4.. | 510 437502.... | 1 | BAFFLE, FLOW DIVERTER | 36.. | 539 130315.... | 9 | HCS 5/16-18 x 1/2 |
| 5.. | 539 130646.... | 3 | PULLEY | 37.. | 574 210601.. | 18 | HHFS 1/2-13 x 1 |
| 6.. | 510 015101.... | 1 | PULLEY, IDLER 7" | 38.. | 525 612801.... | 2 | HHFS 3/8-16 x 1 |
| 7.. | 525 598201.... | 1 | PULLEY, IDLER 7" NARROW | 39.. | 539 131781.... | 2 | HHFS 3/8-16 x 2 3/4 |
| 8.. | 510 019601.... | 1 | PULLEY, IDLER, 6" | 40.. | 539 119007.... | 3 | BLADE BOLT |
| 9.. | 574 722201.... | 1 | ARM, IDLER w/ BRG, SPCR | 41.. | 539 115620.... | 4 | BOLT 1/4-20 x 3/4 CARRIAGE |
| 10.. | 525 836401.... | 3 | SPINDLE ASSY | 42.. | 539 128101.... | 1 | BOLT 3/8-16 x 2 1/2 CARRIAGE |
| 11.. | 574 169601.... | 5 | ROLLER, GAUGE | 43.. | 574 202001.... | 1 | EYEBOLT 3/8 x 4 |
| 12.. | 510 131202.... | 2 | SHIELD, BELT | 44.. | 539 100472.... | 2 | RHSNB 5/16-18 x 1 1/4 |
| 13.. | 510 254501.... | 2 | SHIELD, DUST | 45.. | 539 107271.... | 1 | RHSSNB 5/16-18 x 1 |
| 14.. | 510 262201.... | 1 | SHIELD, DUST | 46.. | 510 022401.... | 1 | RHSNB 1/2-13 x 8 |
| 15.. | 539 976998.... | 3 | ZERK | 47.. | 510 022301.... | 3 | RHSNB 1/2-13 x 4 3/4 |
| 16.. | 525 310901.... | 1 | SPRING, TORSION | 48.. | 539 102933.... | 3 | RHSNB 5/16-18 x 1 1/2 |
| 17.. | 539 130637.... | 3 | HUB, PULLEY | 49.. | 539 112899.... | 6 | NUT 5/16-18 HEX FLG NYLOC |
| 18.. | 539 130638.... | 6 | BEARING | 50.. | 521 991101.... | 4 | NUT 1/2-13 HEX FLG NYLOC |
| 19.. | 510 263701.... | 3 | BEARING, IDLER ARM | 51.. | 539 130653.... | 3 | NUT 3/4-16 FLG |
| 20.. | 522 729701.... | 1 | BEARING, IDLER PIVOT | 52.. | 539 976978.... | 4 | NUT 1/4-20 HEX NYLOC |
| 21.. | 539 104763.... | 8 | RETAINER, U TYPE | 53.. | 521 996501.... | 4 | NUT 3/8-16 HEX FLG NYLOC |
| 22.. | 574 262102.... | 1 | GUIDE, BELT | 54.. | 539 106504.... | 3 | WASHER, HEAVY |
| 23.. | 574 262201.... | 1 | KEEPER, BELT | 55.. | 539 990187.... | 8 | WASHER 5/16 SLW |
| 24.. | 525 836001.... | 3 | SHAFT, SPINDLE | 56.. | 539 109600.... | 9 | WASHER 5/16 DISC SPRING |
| 25.. | 574 197002.... | 1 | BRACKET, CHUTE PIVOT | 57.. | 539 990692.. | 10 | WASHER 5/16 STD FLT |
| 26.. | 525 486002.... | 1 | BRACKET, CHUTE SUPPORT | 58.. | 522 023401.... | 1 | WASHER 3/8 THICK |
| 27.. | 525 485801.... | 1 | CHUTE, DISCHARGE | NOT SHOWN - OPTIONAL | | | |
| 28.. | 539 130643.... | 6 | CUP, DEBRIS | 522 829301.... | 3 | BLADE, HIGH LIFT 21" | |
| 29.. | 539 130641.... | 3 | SPACER | 574 481301.... | 3 | BLADE, LOW LIFT 21" | |
| 30.. | 525 465601.... | 1 | SPACER, IDLER PIVOT | 522 936601.... | 3 | BLADE, GATOR 21" | |
| 31.. | 574 196401.... | 2 | TUBE, ROLLER AXLE | 539 109755.... | 3 | BLADE, WAVY REV LIFT 21" | |
| 32.. | 574 196501.... | 1 | TUBE, ROLLER AXLE LONG | | | | |

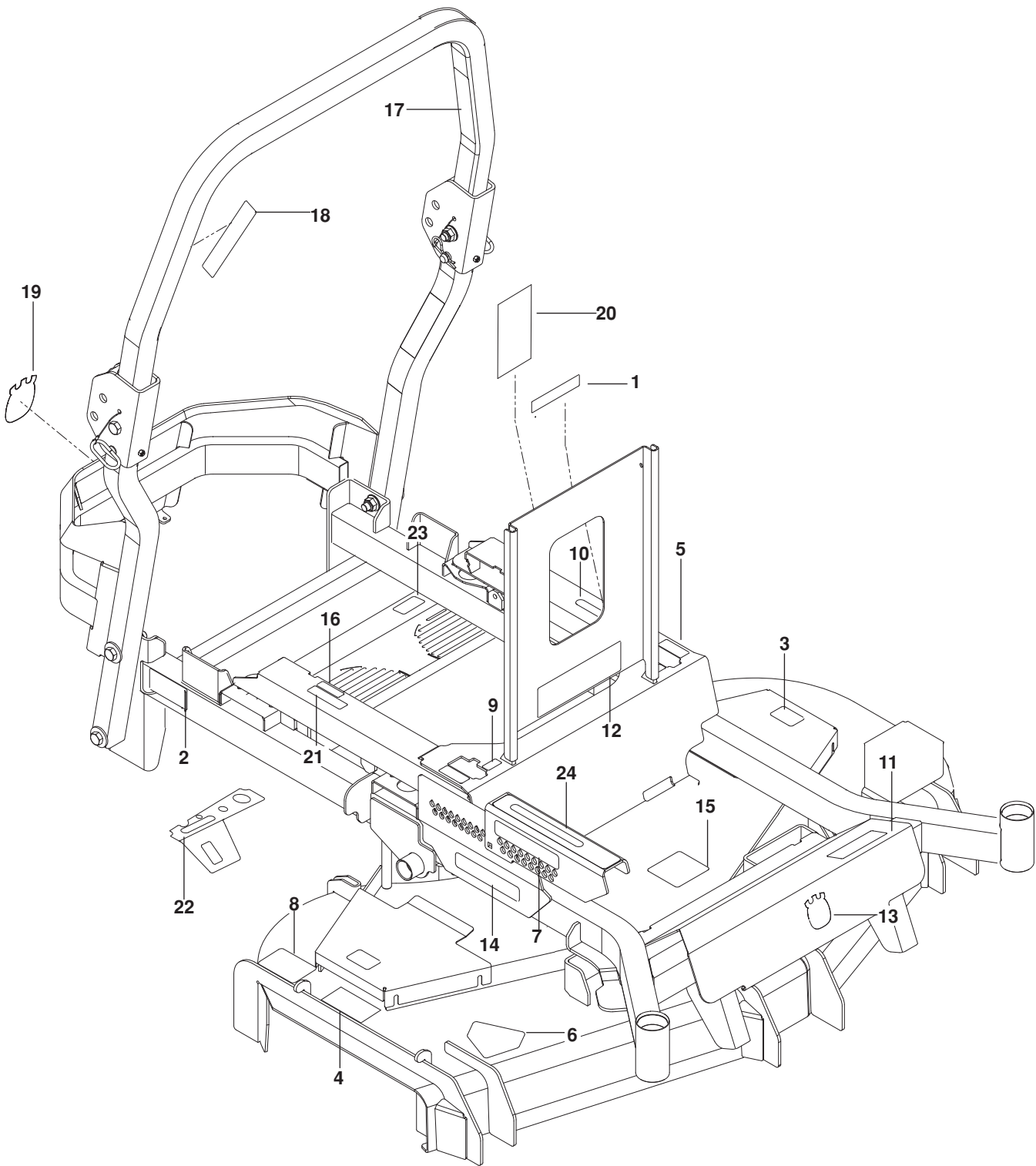
SEAT



SEAT

| ITEM | PART NO. | QTY. | DESCRIPTION | ITEM | PART NO. | QTY. | DESCRIPTION |
|------|----------------|------|-------------------------|------|----------------|------|---|
| 1.. | 574 284601.... | 1 | SEAT ASSY | 10.. | 574 182202.... | 1 | LATCH, SEAT |
| 2.. | 510 039302.... | 1 | PAN, SEAT | 11.. | 520 283101.... | 1 | SPRING, TORSION |
| 3.. | 539 119741.... | 1 | SWITCH, SEAT | 12.. | 510 283801.... | 2 | BUMPER, RUBBER |
| 4.. | 574 284602.... | 1 | COVER, BACK | 13.. | 539 913847.... | 2 | RETAINER NUT $\frac{3}{8}$ |
| 5.. | 574 284603.... | 1 | COVER KIT, CUSHION | 14.. | 539 113226.... | 4 | BOLT $\frac{5}{16}$ -18 x 1 THD FRM |
| 6.. | 574 284604.... | 1 | TRACK KIT | 15.. | 515 990601.... | 2 | BOLT $\frac{3}{8}$ x $1\frac{1}{4}$ $\frac{5}{16}$ -18 SHLDR |
| 7.. | 574 284605.... | 1 | ARMREST, LT | 16.. | 525 834201.... | 2 | HHFS $\frac{3}{8}$ -16 x $1\frac{1}{4}$ |
| | 574 284606.... | 1 | ARMREST, RT | 17.. | 521 996501.... | 4 | NUT $\frac{3}{8}$ -16 HEX FLG NYLOC |
| 8.. | 539 130359.... | 1 | SEAT BELT | 18.. | 539 112899.... | 6 | NUT $\frac{5}{16}$ -18 HEX FLG NYLOC |
| 9.. | 510 064101.... | 1 | ROD, SEAT | | | | |

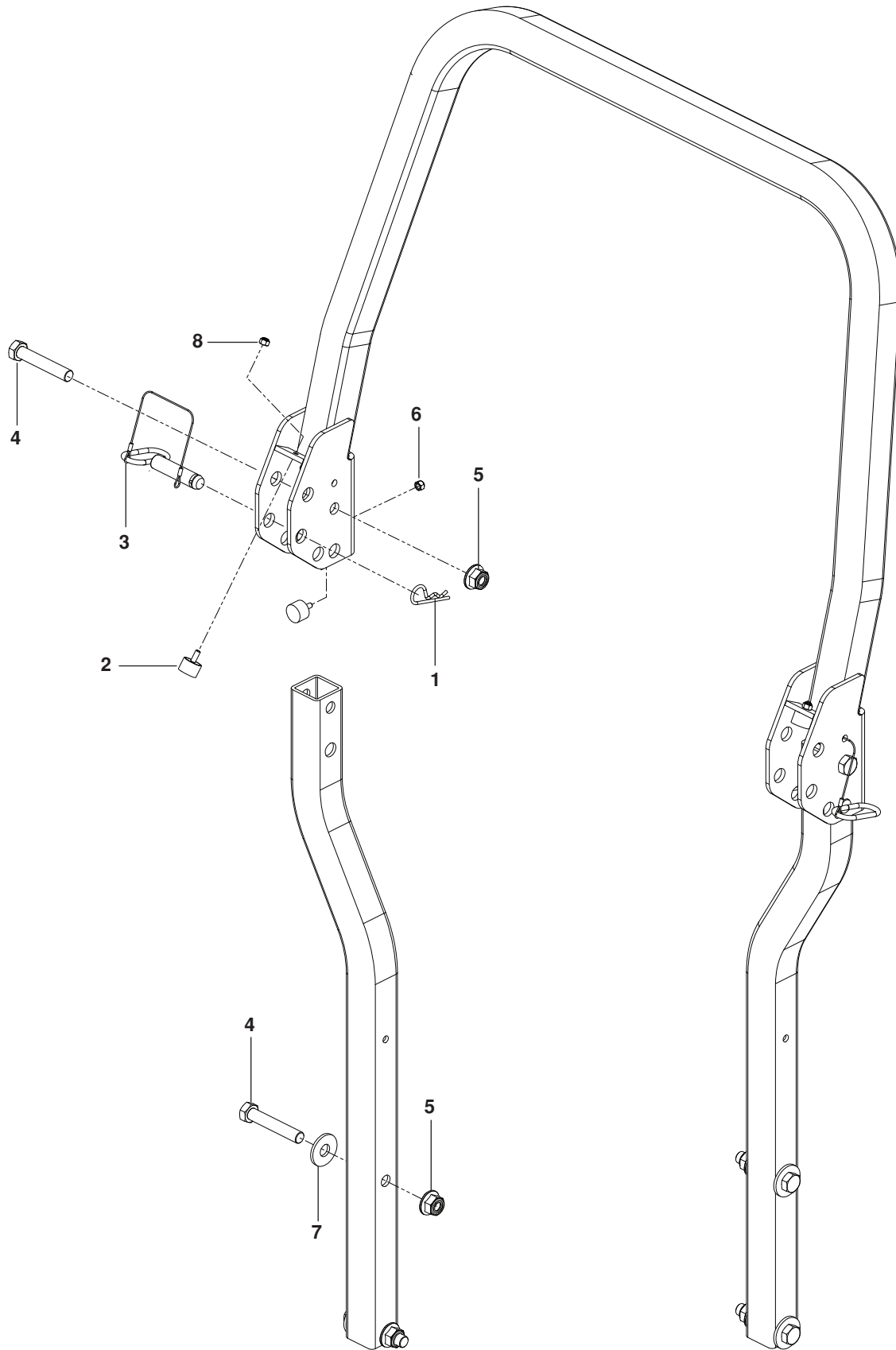
DECALS



DECALS

| ITEM | PART NO. | QTY. | DESCRIPTION | ITEM | PART NO. | QTY. | DESCRIPTION |
|------|----------------|------|----------------------------|------|----------------|------|---------------------------|
| 1.. | 539 105745.... | 1 |DECAL, BATTERY WARNING | 13.. | 532 428676.... | 1 |DECAL, CROWN H SM |
| 2.. | 539 105744.... | 2 |DECAL, BELT DRIVE WARN | 14.. | 532 429196.... | 2 |DECAL, HUSQVARNA |
| 3.. | 539 105743.... | 2 |DECAL, NO STEP | 15.. | 574 437301.... | 1 |DECAL, BELT ROUTE |
| 4.. | 539 105746.... | 1 |DECAL, SEVERING | 16.. | 574 569401.... | 1 |DECAL, FUSE |
| 5.. | 539 103333.... | 2 |DECAL, MOTION CONTROL | 17.. | 574 569006.... | 1 |DECAL, ROPS |
| 6.. | 539 913010.... | 1 |DECAL, BLADE WARNING | 18.. | 574 569002.... | 1 |DECAL, ROPS WARNING |
| 7.. | 525 349701.... | 1 |DECAL, HEIGHT | 19.. | 574 455001.... | 1 |DECAL, CROWN H LRG |
| 8.. | 539 113224.... | 1 |DECAL, DEFLECTOR | 20.. | 574 825901.... | 1 |DECAL, SERVICE |
| 9.. | 539 110974.... | 2 |DECAL, TRACKING | 21.. | 532 424102.... | 1 |DECAL, SPARK ARRESTOR |
| 10.. | 539 120006.... | 1 |DECAL, PARK BRAKE | 22.. | 510 246602.... | 1 |DECAL, CONTROL |
| 11.. | 581 384401.... | 1 |DECAL, PZ60 | 23.. | 577 150101.... | 1 |DECAL, FUEL |
| 12.. | 539 107959.... | 1 |DECAL, WARNING | 24.. | 516 038101.... | 1 |DECAL, HEIGHT |

PROTECTION FRAME



PROTECTION FRAME

| ITEM | PART NO. | QTY. | DESCRIPTION | ITEM | PART NO. | QTY. | DESCRIPTION |
|------|-----------------|------|---|------|-----------------|------|---------------------------------|
| 1.. | 539 200715....2 | | PIN, HAIR | 5.. | 525 829101....6 | | NUT $\frac{5}{8}$ -11 FLG NYLOC |
| 2.. | 522 801401....4 | | BUMPER $\frac{1}{4}$ -20 STUD | 6.. | 539 976978....4 | | NUT $\frac{1}{4}$ -20 HEX NYLOC |
| 3.. | 574 388001....2 | | LATCH PIN w/ LANYARD | 7.. | 539 102653....4 | | WASHER $\frac{5}{8}$ STD FLT |
| 4.. | 580 754601....6 | | HCS $\frac{5}{8}$ -11 x 3 $\frac{1}{2}$ | | | | |

