

Gasoline containing up to 10% ethanol (E10) is acceptable for use in this machine. The use of any gasoline exceeding 10% ethanol (E10) will void the product warranty.

## **Parts Manual**

### **RZ4824TF / 967003803**



Please read the operator's manual carefully and make sure you understand the instructions before using the machine.

When you need spare parts or support in service questions, warranty issues, etc., please consult the following professional:

This manual belongs to the machine with the manufacturing number:	Engine	Transmission

**Manufacturing Number**

*The machine's manufacturing number can be found on the printed plate affixed to the engine compartment.*

Stated on the plate, from the top are:

- The machine's type designation (I.D.).
- The manufacturer's type number (Model).
- The machine's serial number (Serial no.)

*Please have the type designation and serial number available when ordering spare parts.*

The engine's manufacturing number is stamped on one of the valve covers.

The plate states:

- The engine's model.
- The engine's type.
- Code

*Please have these available when ordering spare parts.*

The wheel motors and hydrostatic pumps have a barcode decal affixed at the rear.

**Accessories Available**

Collection System .....	966 792801
Mulch Kit.....	965 894003

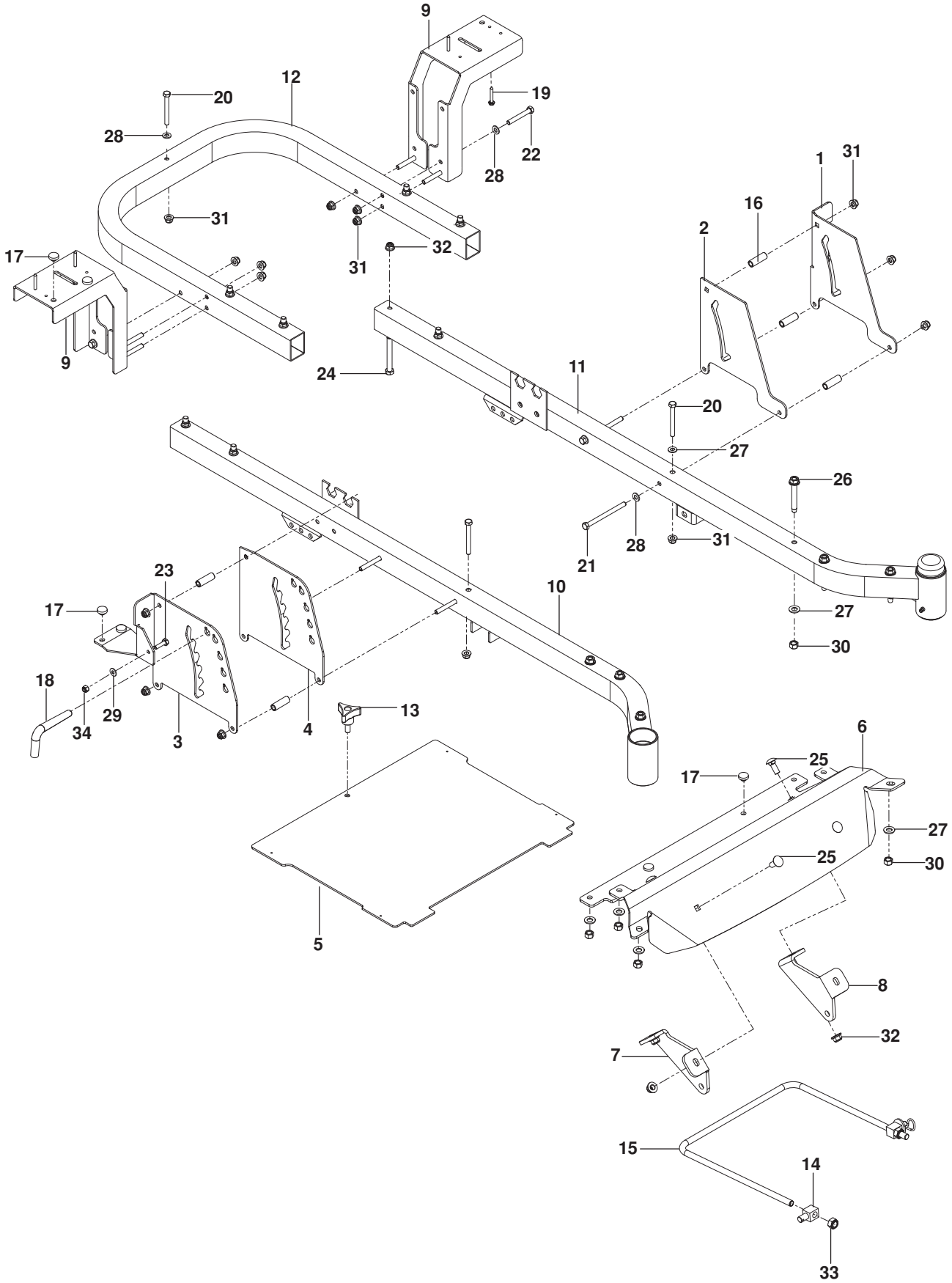
# CONTENTS

---

FRAME.....	4	SEAT .....	20
ENGINE PLATE.....	6	DECALS.....	22
STEERING .....	8	ACCESSORIES	
IGNITION.....	10	BLOWER.....	24
BRAKE / LIFT.....	12	CHUTES .....	26
HYDRAULIC PUMP - MOTOR.....	14	BAGGER.....	28
WHEELS AND TIRES.....	16	SHIELD, MOUNTS, WEIGHTS, BELT.....	30
MOWER DECK / CUTTING DECK.....	18	MULCH KIT .....	32

NOTE ALL FASTENERS ARE GRADE 5 UNLESS OTHERWISE SPECIFIED.

# FRAME

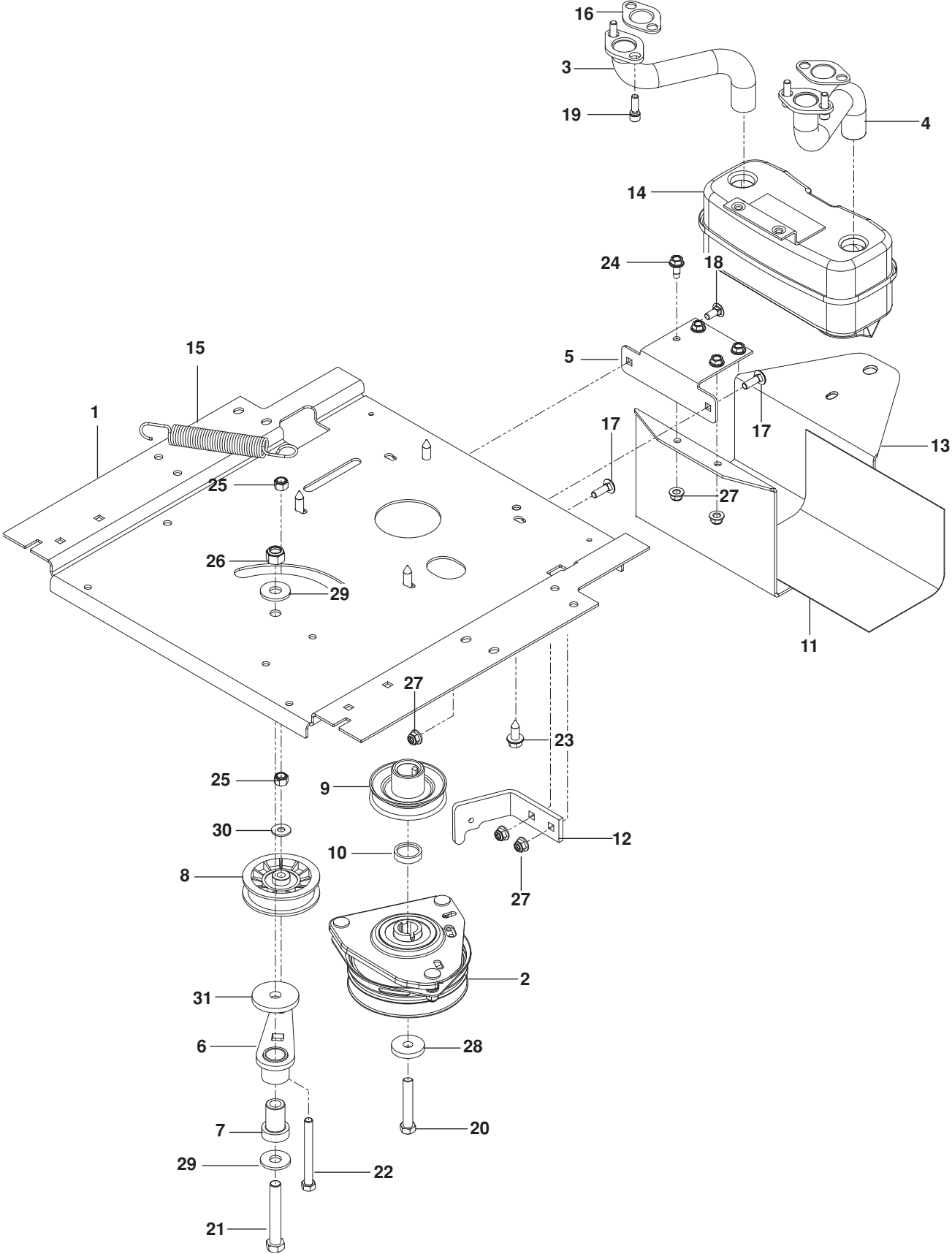


# FRAME

---

ITEM	PART NO.	QTY.	DESCRIPTION	ITEM	PART NO.	QTY.	DESCRIPTION
1..	510 261802....	1....	PLATE, OUTER BRAKE BLK	19..	539 110674....	4....	SCREW 10-12 x 1¼ HEX WSH
2..	510 206703....	1....	PLATE, BRAKE LATCH BLK	20..	874 780544....	3....	HCS 5/16-18 x 2¾
3..	580 528002....	1....	PLATE, LIFT OUTER BLK	21..	874 780564....	4....	HCS 5/16-18 x 4
4..	510 240502....	1....	PLATE, LIFT INNER BLK	22..	874 780536....	6....	HCS 5/16-18 x 2¼
5..	522 842902....	1....	FOOT PLATE w/ SFTY DECLS	23..	874 780416....	2....	HCS ¼-20 x 1
6..	522 719506....	1....	FOOT REST ORG	24..	874 780648....	8....	HCS 3/8-16 x 3
7..	581 222802....	1....	MOUNT, STRUT RT BLK	25..	872 141608....	4....	RHSNB 3/8-16 x 1
8..	581 222902....	1....	MOUNT, STRUT LT BLK	26..	817 490642....	6....	BOLT 3/8-16 x 25/8 THD FRM
9..	510 225902....	2....	SUPPORT, FENDER BLK	27..	819 141614....	6....	WASHER 3/8 STD FLT
10..	510 177503....	1....	FRAME, FRONT RT ORG	28..	819 111116..	13....	WASHER 5/16 SAE FLT
11..	510 177403....	1....	FRAME, FRONT LT ORG	29..	819 091016....	2....	WASHER ¼ FLAT SAE ZD
12..	510 177603....	1....	FRAME, REAR TUBE ORG	30..	539 200282....	6....	NUT 3/8-16 HEX JAM NYLOC
13..	539 104411....	1....	KNOB w/ STUD	31..	539 112899..	15....	NUT 5/16-18 HEX FLG NYLOC
14..	581 514301....	2....	SWIVEL	32..	521 996501....	8....	NUT 3/8-16 HEX FLG NYLOC
15..	521 938101....	1....	LINK, FRONT SUSPENSION	33..	539 119124....	2....	NUT 7/16-14 HEX NYLOC
16..	580 486101....	6....	SPACER ½ OD x 1½	34..	873 800400....	2....	NUT ¼-20 HEX NYLOC
17..	539 102587....	6....	GROMMET, BUMPER				
18..	510 016503....	1....	LIFT PIN				

# ENGINE PLATE

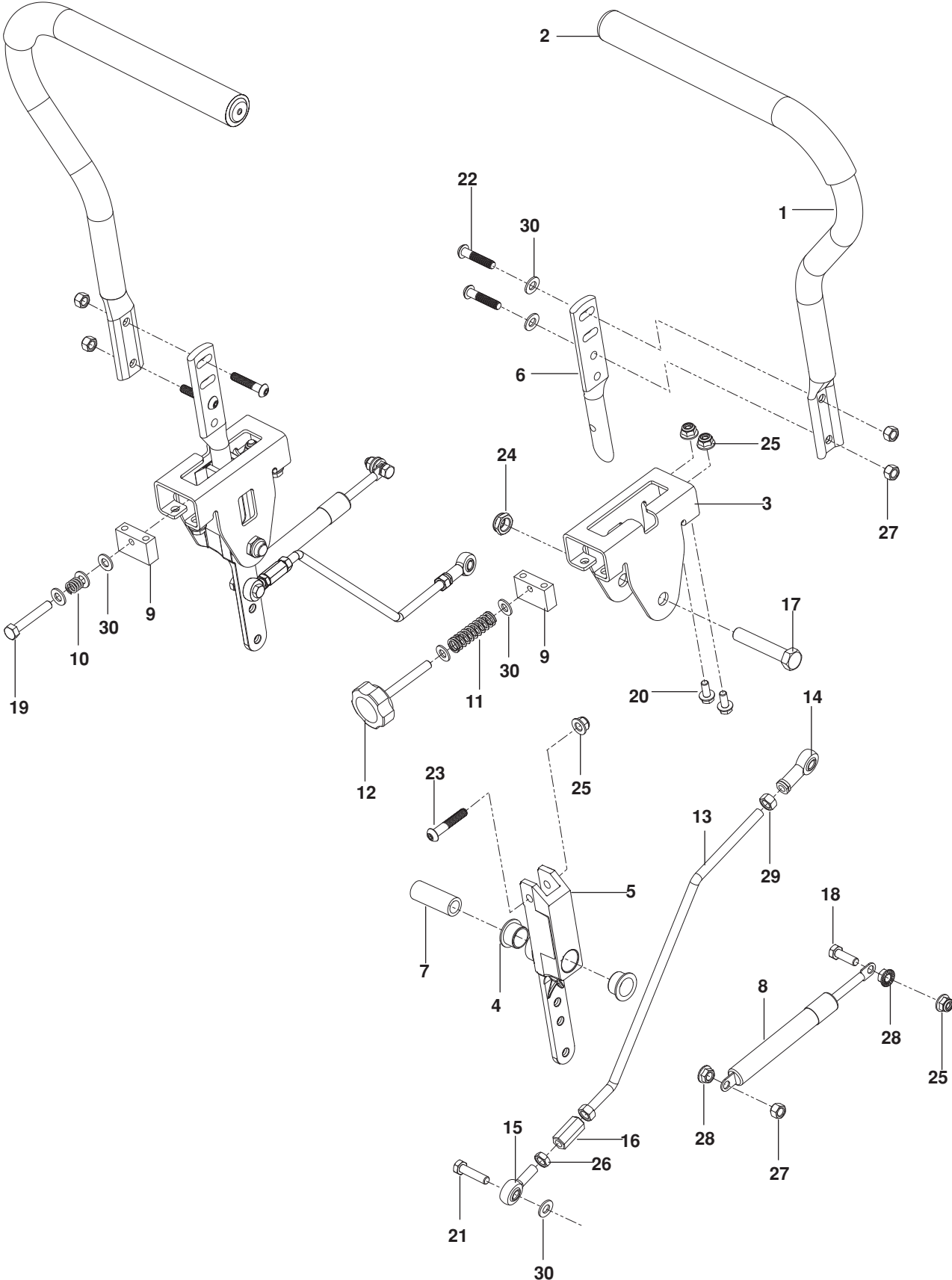


# ENGINE PLATE

---

ITEM	PART NO.	QTY.	DESCRIPTION	ITEM	PART NO.	QTY.	DESCRIPTION
1..	532 448161....	1....	PLATE, ENGINE BLK	18..	872 140506....	1....	RHSNB <sup>5</sup> / <sub>16</sub> -18 x <sup>3</sup> / <sub>4</sub>
2..	532 400008....	1....	CLUTCH	19..	532 183906....	4....	SCREW, SCKT HD
3..	581 881101....	1....	TUBE, EXHAUST RT	20..	581 332803....	1....	HCS <sup>7</sup> / <sub>16</sub> -20 x 2 <sup>1</sup> / <sub>2</sub>
4..	581 881001....	1....	TUBE, EXHAUST LT	21..	874 780852....	1....	HCS <sup>1</sup> / <sub>2</sub> -13 x 3 <sup>1</sup> / <sub>4</sub>
5..	510 260402....	1....	BRACKET, MUFFLER BLK	22..	874 520656....	1....	HCS <sup>3</sup> / <sub>8</sub> -16 x 3 <sup>1</sup> / <sub>2</sub>
6..	532 448145....	1....	ARM, IDLER	23..	817 120616....	4....	HHFS <sup>3</sup> / <sub>8</sub> -16 x 1 THD FRM
7..	539 101231....	1....	SPINDLE, IDLER	24..	817 490512....	4....	HHFS <sup>5</sup> / <sub>16</sub> -18 x <sup>3</sup> / <sub>4</sub> THD FRM
8..	539 110311....	1....	PULLEY, IDLER	25..	539 976979....	2....	NUT <sup>3</sup> / <sub>8</sub> -16 HEX NYLOC
9..	539 114530....	1....	PULLEY, ENGINE	26..	873 800800....	1....	NUT <sup>1</sup> / <sub>2</sub> -13 HEX NYLOC
10..	577 094601....	1....	SPACER	27..	539 112899....	5....	NUT <sup>5</sup> / <sub>16</sub> -18 HEX FLG NYLOC
11..	539 132859....	1....	SHIELD, HEAT	28..	532 126197....	1....	WASHER, CLUTCH
12..	522 442506....	1....	STOP, CLUTCH BLK	29..	819 182212....	2....	WASHER <sup>1</sup> / <sub>2</sub> FLT
13..	584 989802....	1....	GUARD, MUFFLER BLK	30..	819 121414....	2....	WASHER <sup>5</sup> / <sub>16</sub> STD FLT
14..	539 131604....	1....	MUFFLER ASSY	31..	539 112670....	1....	WASHER, HEAVY
15..	532 196105....	1....	SPRING, DECK DRIVE	NOT SHOWN			
16..	532 165391....	2....	GASKET, MUFFLER		532 198316 ...	1....	ADAPTER, CLUTCH
17..	872 140508....	2....	RHSNB <sup>5</sup> / <sub>16</sub> -18 x 1				

# STEERING



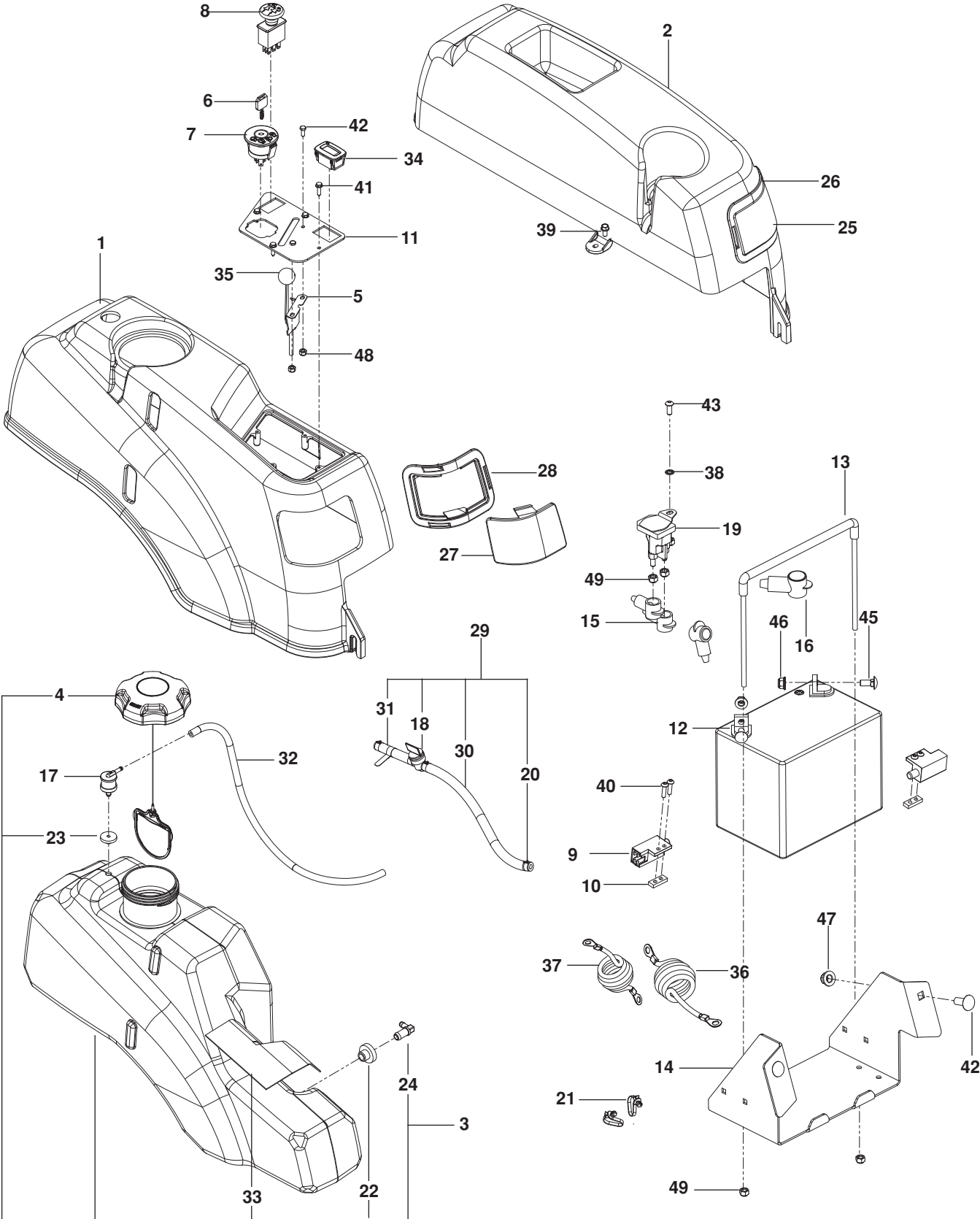


# STEERING

---

ITEM	PART NO.	QTY.	DESCRIPTION	ITEM	PART NO.	QTY.	DESCRIPTION
1..	581 826701....	2....	LEVER w/ GRIP	16..	539 116689....	2....	COUPLER, ROD END
2..	525 392901....	2....	GRIP, FOAM	17..	539 101332....	2....	HCS 1/2-13 x 2 3/4
3..	577 251701....	2....	BRACKET, CONTROL	18..	539 990209....	2....	HCS 5/16-18 x 1
4..	539 131518....	4....	BEARING, FLANGE	19..	539 976935....	1....	HCS 5/16-18 x 1 1/2
5..	576 140301....	2....	LEVER, CONTROL	20..	525 464701....	8....	HHFS 5/16-18 X 3/4
6..	577 420001....	2....	LEVER, HANDLE	21..	539 990669....	2....	HCS 5/16-18 x 1 3/4 TPBLT
7..	577 252401....	2....	SPACER, PIVOT CONTROL	22..	578 296402....	4....	SCREW 5/16-18 X 1 1/2 BTN HD
8..	539 102720....	2....	DAMPENER	23..	576 850402....	2....	SCREW 5/16-18 X 1 3/4 BTN HD
9..	577 251801 ...	2....	BLOCK, TRACKING	24..	539 108010....	2....	NUT 1/2-13 HEX JAM NYL GR2
10..	539 102845....	1....	SPRING	25..	539 112899..	10....	NUT 5/16-18 HEX FLG NYLOC
11..	576 850301....	1....	SPRING	26..	539 991073....	2....	NUT 5/16-24 HEX JAM LH
12..	539 131799....	1....	KNOB	27..	539 990717....	6....	NUT 5/16-18 HEX NYLOC
13..	580 624201....	2....	ROD, MOTION CONTROL	28..	539 990585....	4....	NUT 5/16-18 HEX WHIZLK
14..	539 115729....	2....	ROD END RH	29..	539 990223....	4....	NUT 5/16-24 HEX
15..	539 116690....	2....	ROD END MALE LH	30..	539 990188....	4....	WASHER 5/16 SAE FLT

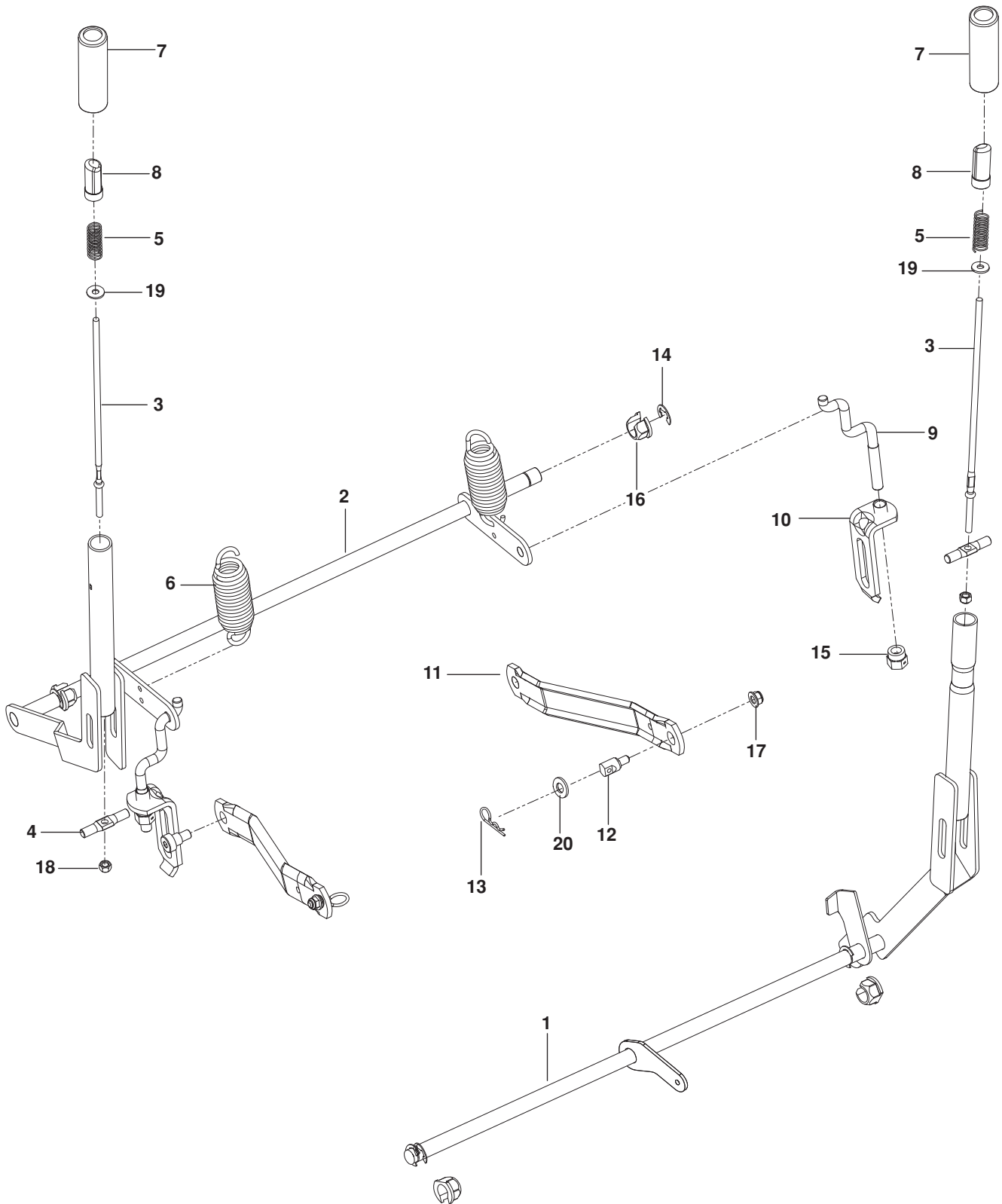
# IGNITION



# IGNITION

ITEM	PART NO.	QTY.	DESCRIPTION	ITEM	PART NO.	QTY.	DESCRIPTION
1..	578 178901....	1....	FENDER, RT GRY	29..	576 660701 ...	1....	FUEL LINE ASSY
2..	539 130374....	1....	FENDER, LT GRY	30..	539 932956....	1....	FUEL LINE 10"
3..	578 180601....	1....	TANK ASSY, FUEL	31..	505 215101....	1....	FUEL LINE 2½"
4..	575 018101....	1....	CAP, FUEL w/ TETHER	32..	574 521305....	1....	HOSE ³/₁₆" VAPOR 20"
5..	585 974902....	1....	CABLE, THROTTLE	33..	522 559101....	1....	SHIELD, HEAT
6..	532 140401....	1....	KEY, IGNITION	34..	532 401763....	1....	MINDER, SERVICE
7..	539 107541....	1....	SWITCH, IGNITION	35..	539 133049....	1....	KNOB
8..	532 174652....	1....	SWITCH, CLUTCH	36..	539 103306....	1....	CABLE, POSITIVE RED
9..	532 109553....	2....	SWITCH, NC	37..	539 110068....	1....	CABLE, NEGATIVE BLK
10..	539 102678....	2....	PLATE, TAPPED	38..	539 990053....	1....	WASHER ¼ ITLW
11..	585 813002....	1....	PLATE, CONSOLE	39..	817 490408....	2....	BOLT ¼-20 x ½
12..	539 102436....	1....	BATTERY	40..	574 822701....	4....	SCREW 10-24 x ¾ SKT HD
13..	539 131209....	1....	TIE DOWN, BATTERY	41..	539 110673....	2....	SCREW 10-24 x ¾ WSH HD
14..	585 048702....	1....	BOX, BATTERY BLK	42..	539 990411....	2....	SCREW 10-24 x ½ HEX HD
15..	532 131563....	3....	TERMINAL COVER	43..	539 111229....	1....	SCREW ¼-20 x ⁵/₈ BTN SKT
16..	539 102759....	1....	INSULATOR	44..	872 140608....	2....	RHSNB ³/₈-16 x 1
17..	576 618101....	1....	VALVE, FUEL CHECK	45..	872 140506....	2....	RHSNB ⁵/₁₆-18 x ¾
18..	539 916325....	1....	VALVE, FUEL	46..	539 112899....	2....	NUT ⁵/₁₆-18 FLANGE NYLOC
19..	532 192507....	1....	SOLENOID	47..	521 996501....	2....	NUT ³/₈-16 HEX FLG NYLOC
20..	539 912222....	4....	CLAMP, HOSE	48..	539 976977....	2....	NUT 10-24 HEX NYLOC
21..	505 280001....	2....	TIE w/ CLIP	49..	873 800400....	5....	NUT ¼-20 HEX NYLOC
22..	539 105245....	1....	GROMMET, RUBBER				NOT SHOWN
23..	576 618201....	1....	GROMMET, CHECK VALVE		585 727701 ...	1....	HARNESS, WIRING
24..	539 110432....	1....	ELBOW				
25..	539 110056....	1....	LENS, LT				
26..	539 110455....	1....	RIM, LT				
27..	539 110057....	1....	LENS, RT				
28..	539 110451....	1....	RIM, RT				

# BRAKE / LIFT

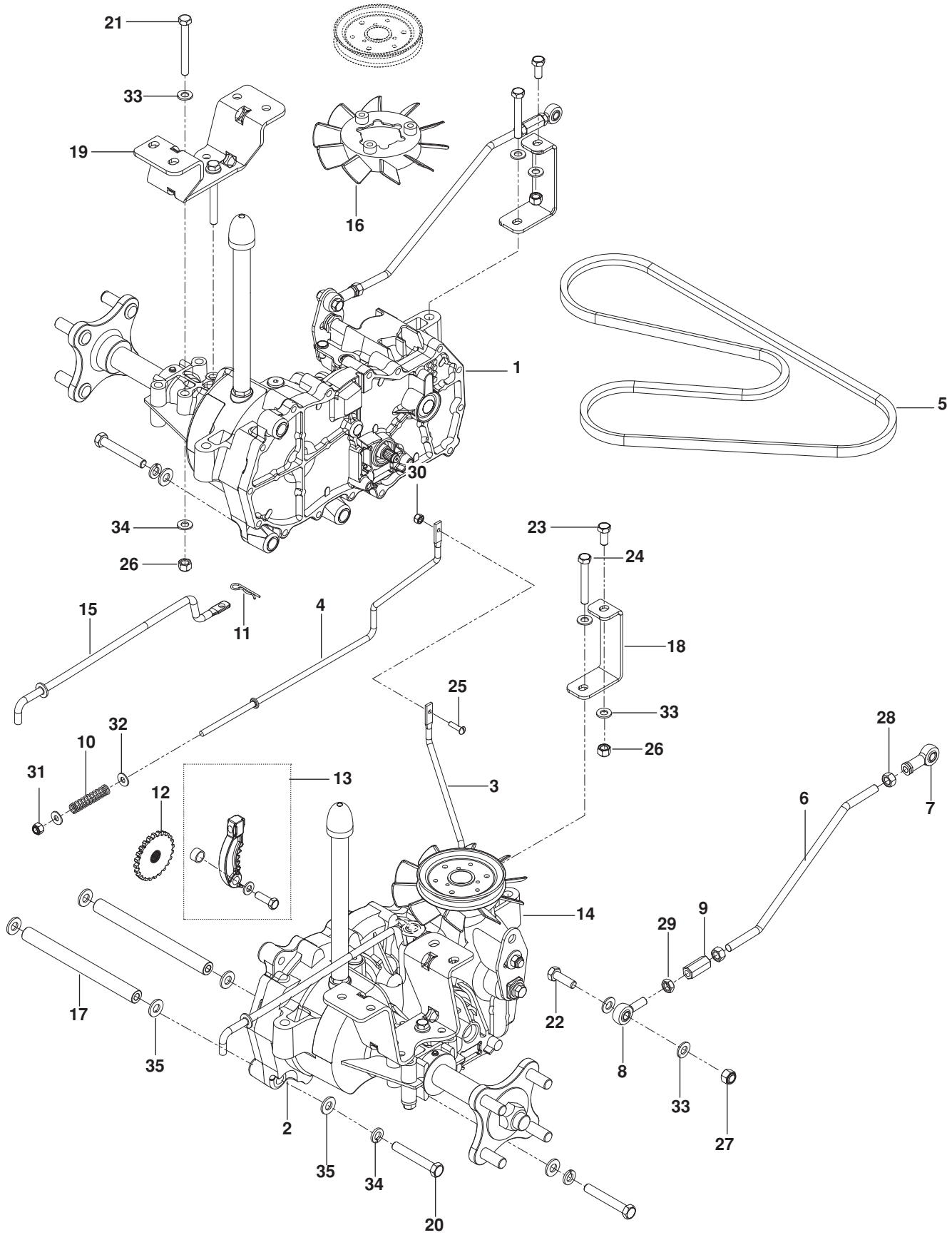


# BRAKE / LIFT

---

ITEM	PART NO.	QTY.	DESCRIPTION	ITEM	PART NO.	QTY.	DESCRIPTION
1..	580 435801....	1....	SHAFT, BRAKE	11..	532 195185....	2....	ARM, SUSPENSION RR
2..	532 448208....	1....	SHAFT, LIFT	12..	532 195161....	2....	STUD w/ANTI- ROTATE
3..	510 422901....	2....	ROD, HANDLE RELEASE	13..	539 976989....	2....	HAIRPIN
4..	580 960401....	1....	ROD, LATCH RELEASE	14..	539 105069....	3....	E-RING
5..	510 030701....	2....	SPRING, COMPRESSION	15..	532 175994....	2....	NUT, LIFT LINK
6..	539 118762....	2....	SPRING	16..	510 184901....	4....	NUT, PLASTIC
7..	510 207201....	2....	GRIP, HANDLE	17..	539 112899....	2....	NUT <sup>5</sup> / <sub>16</sub> -18 HEX FLG NYLOC
8..	510 207301....	2....	BUTTON, PUSH	18..	873 800400....	2....	NUT 1/4-20 HEX NYLOC
9..	525 847201....	2....	LINK, REAR SUSPENSION	19..	819 091216....	1....	WASHER 1/4 FLT
10..	522 858601....	2....	BRACKET, CENTERING LNK	20..	819 212113....	2....	WASHER <sup>5</sup> / <sub>8</sub> SAE FLT

# HYDRAULIC PUMP - MOTOR

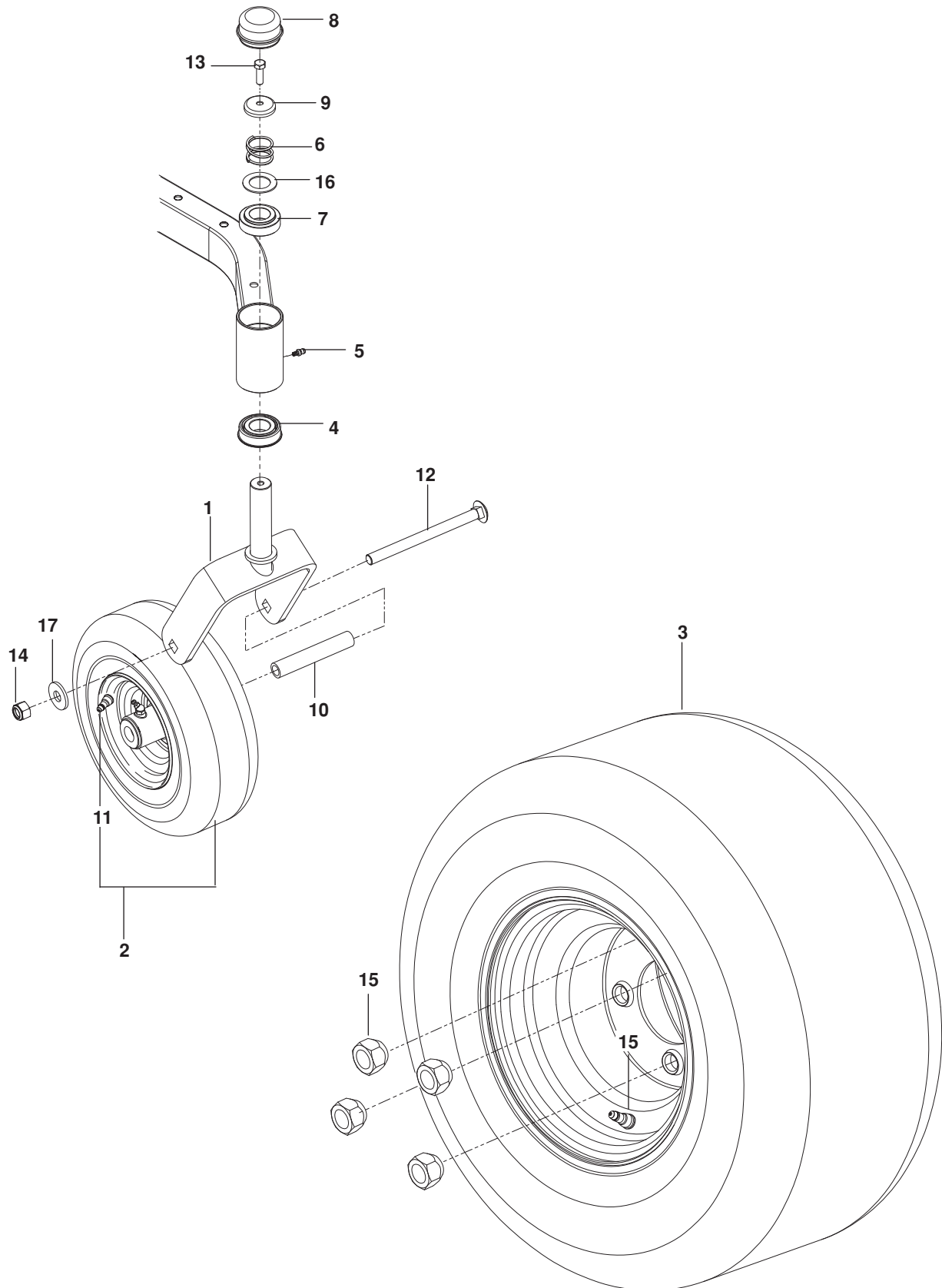


# HYDRAULIC PUMP-MOTOR

---

ITEM	PART NO.	QTY.	DESCRIPTION	ITEM	PART NO.	QTY.	DESCRIPTION
1..	510 375601....	1....	EZT, LT	19..	510 185102....	2....	MOUNT, EZT RR BLK
2..	510 375602....	1....	EZT, RT	20..	874 780640....	4....	HCS $\frac{3}{8}$ -16 x 2 $\frac{1}{2}$
3..	574 030501....	1....	ROD, EZT BRAKE LT	21..	874 780544....	4....	HCS $\frac{5}{16}$ -18 x 2 $\frac{3}{4}$
4..	574 030502....	1....	ROD, EZT BRAKE RT	22..	874 780516....	2....	HCS $\frac{5}{16}$ -18 x 1
5..	539 110411....	1....	BELT, EZT	23..	874 780512....	2....	HCS $\frac{5}{16}$ -18 x $\frac{3}{4}$
6..	580 624201....	2....	ROD, MOTION CONTROL	24..	874 780536....	2....	HCS $\frac{5}{16}$ -18 x 2 $\frac{1}{4}$
7..	539 115729....	2....	ROD END RT	25..	874 811012....	1....	SCREW 10-24 x $\frac{3}{4}$ SLTD RD
8..	539 116690....	2....	ROD END MALE LT	26..	873 800500....	8....	NUT $\frac{5}{16}$ -18 HEX NYLOC
9..	539 116689....	2....	COUPLER, ROD END	27..	539 115617....	2....	NUT $\frac{5}{16}$ -18 NYLOC INSERT
10..	539 110342....	2....	SPRING, BRAKE ROD	28..	539 990223....	2....	NUT $\frac{5}{16}$ -24 HEX
11..	539 976988....	2....	HAIRPIN, COTTER	29..	873 700500....	1....	NUT $\frac{5}{16}$ -24 HEX JAM LH
12..	539 120080....	2....	COG, BRAKE DISC	30..	539 976977....	1....	NUT 10-24 HEX NYLOC
13..	539 120079....	2....	BRAKE ARM KIT	31..	873 800400....	2....	NUT $\frac{1}{4}$ -20 HEX NYLOC
14..	575 507001....	2....	HUB KIT	32..	819 091016....	4....	WASHER $\frac{1}{4}$ SAE FLT
15..	522 941101....	2....	LINK ARM, BYPASS	33..	819 111116..	18....	WASHER $\frac{5}{16}$ SAE FLT
16..	539 120785....	2....	BLADE, FAN	34..	810 030600....	4....	WASHER $\frac{3}{8}$ SPLT LCK
17..	510 184104....	2....	SPACER TUBE	35..	819 131316....	8....	WASHER $\frac{3}{8}$ SAE FLT
18..	522 460702....	2....	SUPPORT, EZT FRT				

# WHEELS AND TIRES



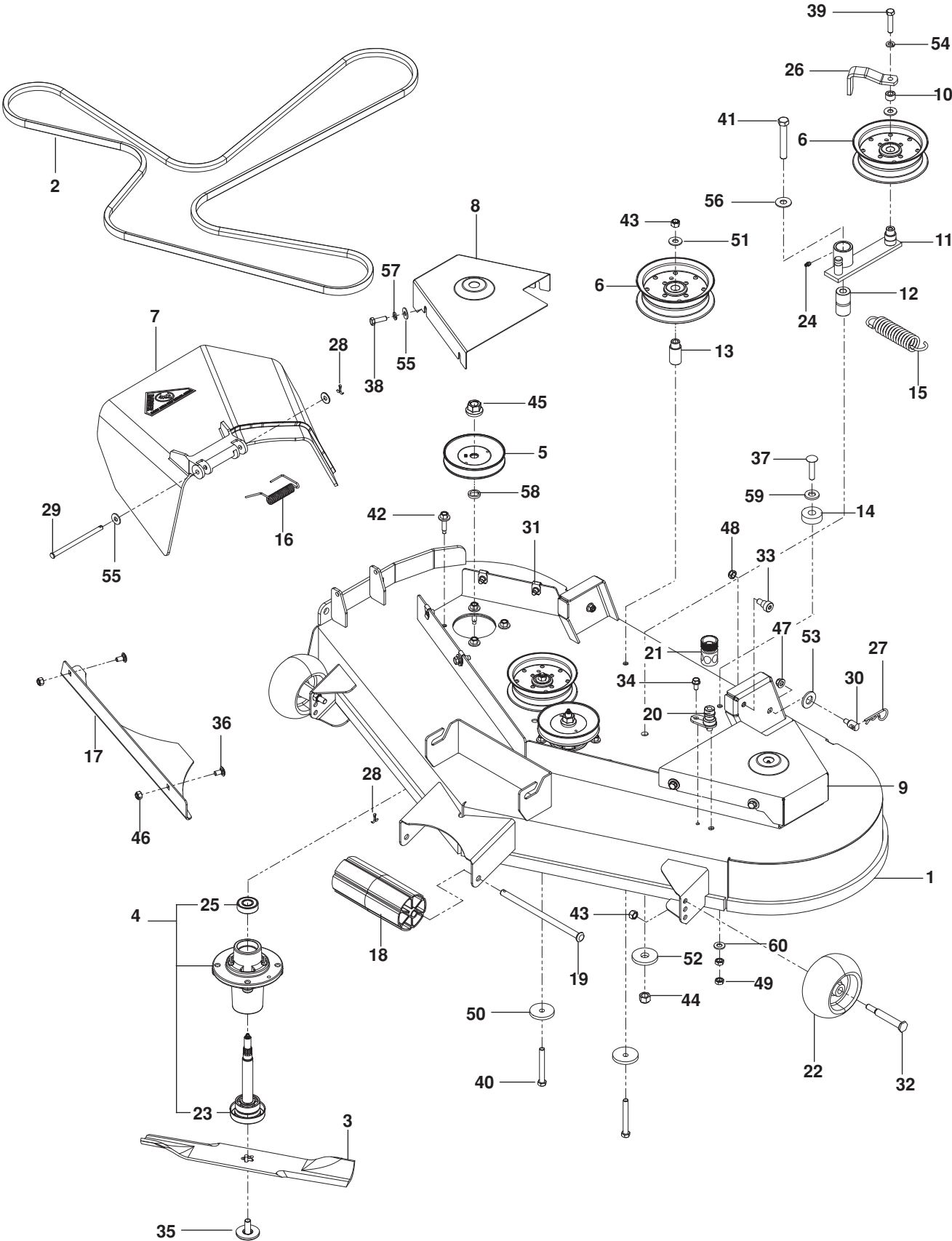


# WHEELS AND TIRES

---

ITEM	PART NO.	QTY.	DESCRIPTION	ITEM	PART NO.	QTY.	DESCRIPTION
1..	576 588802....	2....	YOKE, ORG	10..	576 588901....	2....	SPACER
2..	576 588602....	2....	CASTER TIRE ASSY	11..	539 912234....	4....	VALVE STEM
3..	579 753401....	2....	WHEEL ASSY, REAR 18 x 9.5	12..	576 601501....	2....	RHSNB 1/2-13 x 7 1/2
4..	539 112660....	2....	BEARING, FLANGED	13..	874 950516....	2....	HHB w/ NY 5/16-18 x 1
5..	539 115638....	2....	ZERK 3/16 DRIVE	14..	873 930800....	2....	NUT 1/2 HEX CNTRLK
6..	539 115747....	2....	SPRING, CASTER	15..	539 101173....	8....	NUT 1/2 LUG
7..	539 117901....	2....	BUSHING, CASTER	16..	539 115675....	2....	WASHER
8..	539 102535....	2....	GREASE CAP	17..	819 182212....	2....	WASHER 1/2 FLT
9..	539 115749....	2....	PLUG, CASTER				

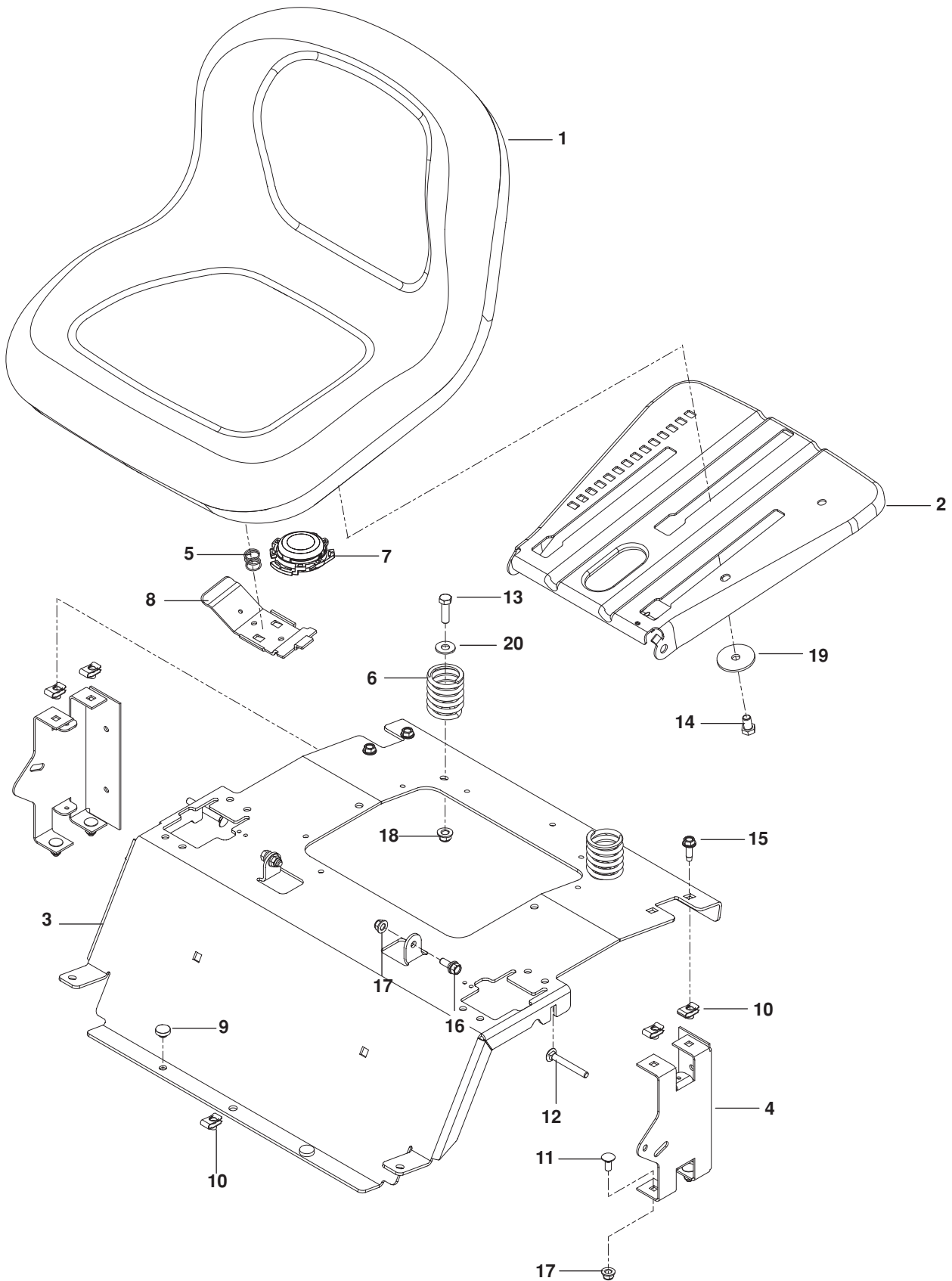
# MOWER DECK / CUTTING DECK



# MOWER DECK / CUTTING DECK

ITEM	PART NO.	QTY.	DESCRIPTION	ITEM	PART NO.	QTY.	DESCRIPTION
1..	522 534805....	1....	DECK, w/ SAFETY DECALS	31..	539 104763....	8....	RETAINER, U TYPE
2..	539 109243....	1....	BELT, DECK	32..	532 193406....	2....	BOLT $\frac{3}{8}$ -16 x $3\frac{5}{8}$ SHOULDER
3..	539 113425....	3....	BLADE	33..	539 113621....	2....	BOLT $\frac{3}{8}$ -16 x $1\frac{1}{4}$ SHOULDER
4..	539 112170....	3....	HOUSING ASSY	34..	817 490408....	1....	BOLT $\frac{1}{4}$ -20 x $\frac{1}{2}$ HWST
5..	532 112171....	3....	PULLEY, MANDREL	35..	532 193003....	3....	BOLT $\frac{7}{16}$ BLADE
6..	539 132728....	3....	PULLEY, IDLER	36..	872110505....	2....	RHSNB $\frac{5}{16}$ -18 x $\frac{5}{8}$
7..	539 110732....	1....	CHUTE, DISCHARGE	37..	539 990923....	1....	RHSNB $\frac{3}{8}$ -16 x $1\frac{3}{4}$
8..	539 113411....	1....	BELT SHIELD, RT ORG	38..	874 780516....	8....	HCS $\frac{5}{16}$ -18 x 1
9..	539 113413....	1....	BELT SHIELD, LT ORG	39..	539 990730....	1....	HCS $\frac{3}{8}$ -16 x $1\frac{3}{4}$
10..	539 923515....	1....	SPACER	40..	874 780648....	2....	HCS $\frac{3}{8}$ -16 x 3
11..	539 112198....	1....	ARM, IDLER	41..	874 780852....	1....	HCS $\frac{1}{2}$ -13 x $3\frac{1}{4}$
12..	539 103427....	1....	BUSHING, PIVOT	42..	532 173984....	12....	SCREW $\frac{5}{16}$ -18 x WSH HD
13..	539 112169....	2....	BUSHING, IDLER	43..	873 800600....	4....	NUT $\frac{3}{8}$ -16 HEX NYLOC
14..	539 116378....	1....	BUSHING, ISO MOUNT	44..	873 800800....	1....	NUT $\frac{1}{2}$ HEX NYLOC
15..	539 103256....	1....	SPRING	45..	532 400234....	3....	NUT $\frac{9}{16}$ TOP CNTRLK
16..	539 110735....	1....	SPRING, TORSION	46..	873 800500....	2....	NUT $\frac{5}{16}$ -18 HEX NYLOC
17..	539 113427....	1....	PLATE, CONFINEMENT BLK	47..	539 112899....	2....	NUT $\frac{5}{16}$ -18 HEX FLG NYLOC
18..	532 176066....	1....	ROLLER, NOSE	48..	539 200282....	2....	NUT $\frac{3}{8}$ -16 HEX JAM NYLOC
19..	532 179127....	1....	ROD, ROLLER NOSE	49..	539 109332....	2....	NUT $\frac{3}{8}$ -16 HEX JAM
20..	532 415598....	1....	WASHOUT PORT	50..	539 106504....	2....	WASHER, HEAVY
21..	532 416405....	1....	COUPLING, CONNECT	51..	819 141614....	3....	WASHER $\frac{3}{8}$ STD FLT
22..	532 133957....	2....	WHEEL, GAUGE	52..	539 102243....	1....	WASHER, SUPPORT
23..	532 187291....	3....	SHAFT	53..	819 212113....	2....	WASHER $\frac{5}{8}$ SAE FLT
24..	539 976998....	1....	ZERK	54..	810 030600....	1....	WASHER $\frac{3}{8}$ SPLT LCK
25..	532 110485....	3....	BEARING, BALL	55..	819 121414....	10....	WASHER $\frac{5}{16}$ STD FLT
26..	539 114981....	1....	GUIDE, BELT	56..	819 182214....	1....	WASHER $\frac{1}{2}$ STD FLT
27..	539 976989....	2....	HAIRPIN	57..	810 030500....	8....	WASHER $\frac{5}{16}$ SLW
28..	876 020412....	2....	PIN, COTTER $\frac{1}{8}$ x $\frac{3}{4}$	58..	532 187690....	3....	WASHER, SPACER
29..	539 110736....	1....	PIN, CLEVIS $\frac{5}{16}$	59..	819 171713....	1....	WASHER, SAE FLT
30..	532 195161....	2....	STUD w/ ANTI-ROTATE	60..	819 131316....	1....	WASHER $\frac{3}{8}$ SAE FLT

# SEAT

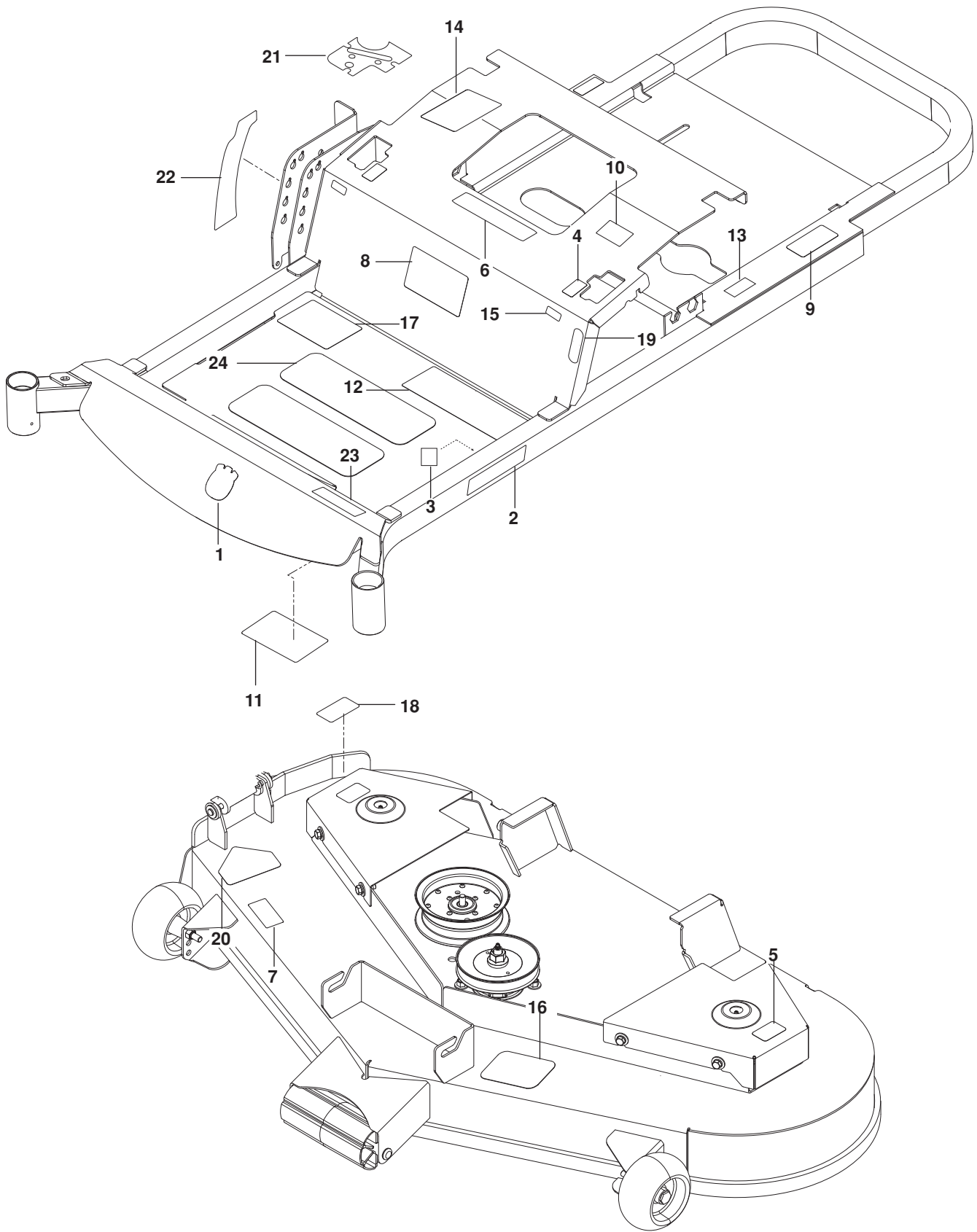


# SEAT

---

ITEM	PART NO.	QTY.	DESCRIPTION	ITEM	PART NO.	QTY.	DESCRIPTION
1..	532 439822....	1....	SEAT	11..	872 140506....	4....	RHSNB $\frac{5}{16}$ -18 x $\frac{3}{4}$
2..	532 196977....	1....	PAN, SEAT BLK	12..	510 422701....	2....	RHSNB $\frac{5}{16}$ -18 x $2\frac{1}{2}$
3..	577 260503....	1....	SUPPORT, SEAT, ORG	13..	874 780620....	2....	HCS $\frac{3}{8}$ -16 x $1\frac{1}{4}$
4..	580 308202....	2....	SUPPORT, SEAT RR BLK	14..	847 760612....	1....	HCS $\frac{3}{8}$ -16 x $\frac{3}{4}$
5..	532 198200....	1....	SPRING, LATCH	15..	817 490512....	4....	BOLT $\frac{5}{16}$ -18 x $\frac{3}{4}$ THD FRM
6..	532 124181....	2....	SPRING, SEAT	16..	539 110303....	2....	BOLT $\frac{5}{16}$ -18 SHOULDER
7..	539 132140....	1....	SWITCH, SEAT	17..	539 112899....	8....	NUT $\frac{5}{16}$ -18 HEX FLG NYLOC
8..	532 197661....	1....	HANDLE, SLIDE	18..	521 996501....	2....	NUT $\frac{3}{8}$ -16 HEX FLG NYLOC
9..	539 102587....	2....	GROMMET, BUMPER	19..	539 111897....	1....	WASHER $\frac{3}{8}$ SPECIAL
10..	539 104763....	5....	RETAINER, U TYPE	20..	819 141614....	2....	WASHER $\frac{3}{8}$ STD FLT

# DECALS



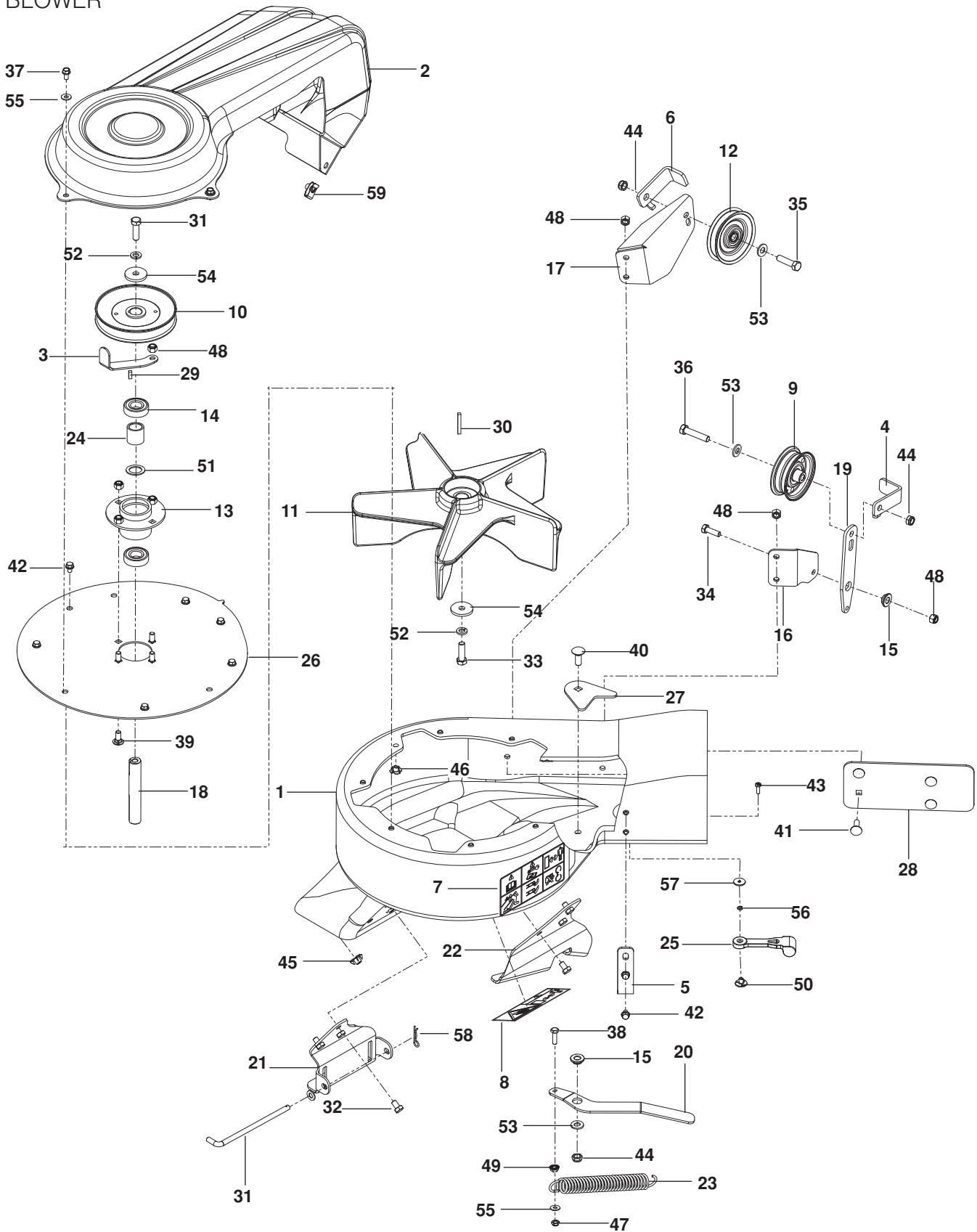
# DECALS

---

ITEM	PART NO.	QTY.	DESCRIPTION	ITEM	PART NO.	QTY.	DESCRIPTION
1..	532 428676....	2....	DECAL, CROWN	13..	539 110279....	1....	DECAL, ECM, AUSTRALIA
2..	532 429196....	2....	DECAL, HUSQVARNA	14..	539 110522....	1....	DECAL, RESPONSIBILITIES
3..	581 724102....	1....	DECAL, 80 DBA	15..	539 110974....	2....	DECAL, TRACKING
4..	539 103333....	2....	DECAL, MOTION CONTROL	16..	539 112620....	1....	DECAL, BELT ROUTING
5..	581 724301....	2....	DECAL, NO STEP	17..	539 113213....	1....	DECAL, WARNING
6..	539 105745....	1....	DECAL, BATTERY WARNING	18..	539 113224....	1....	DECAL, DEFLECTOR
7..	539 105746....	1....	DECAL, SEVERING	19..	539 120006....	1....	DECAL, PARK BRAKE
8..	539 108179....	1....	DECAL, STARTING	20..	539 913010....	1....	DECAL, BLADE DANGER
9..	539 108385....	1....	DECAL, DO NOT TOW	21..	586 046701....	1....	DECAL, CTRL CONSOLE
10..	539 108386....	1....	DECAL, EXITING MOWER	22..	576 979101....	1....	DECAL, DECK HEIGHT
11..	539 109897....	1....	DECAL, SERVICE	23..	581 153201....	1....	DECAL, RZ4824TF
12..	539 109908....	1....	DECAL, SAFETY WARN	24..	539 977778....	3....	ABRASIVE PAD

# ACCESSORIES

## BLOWER



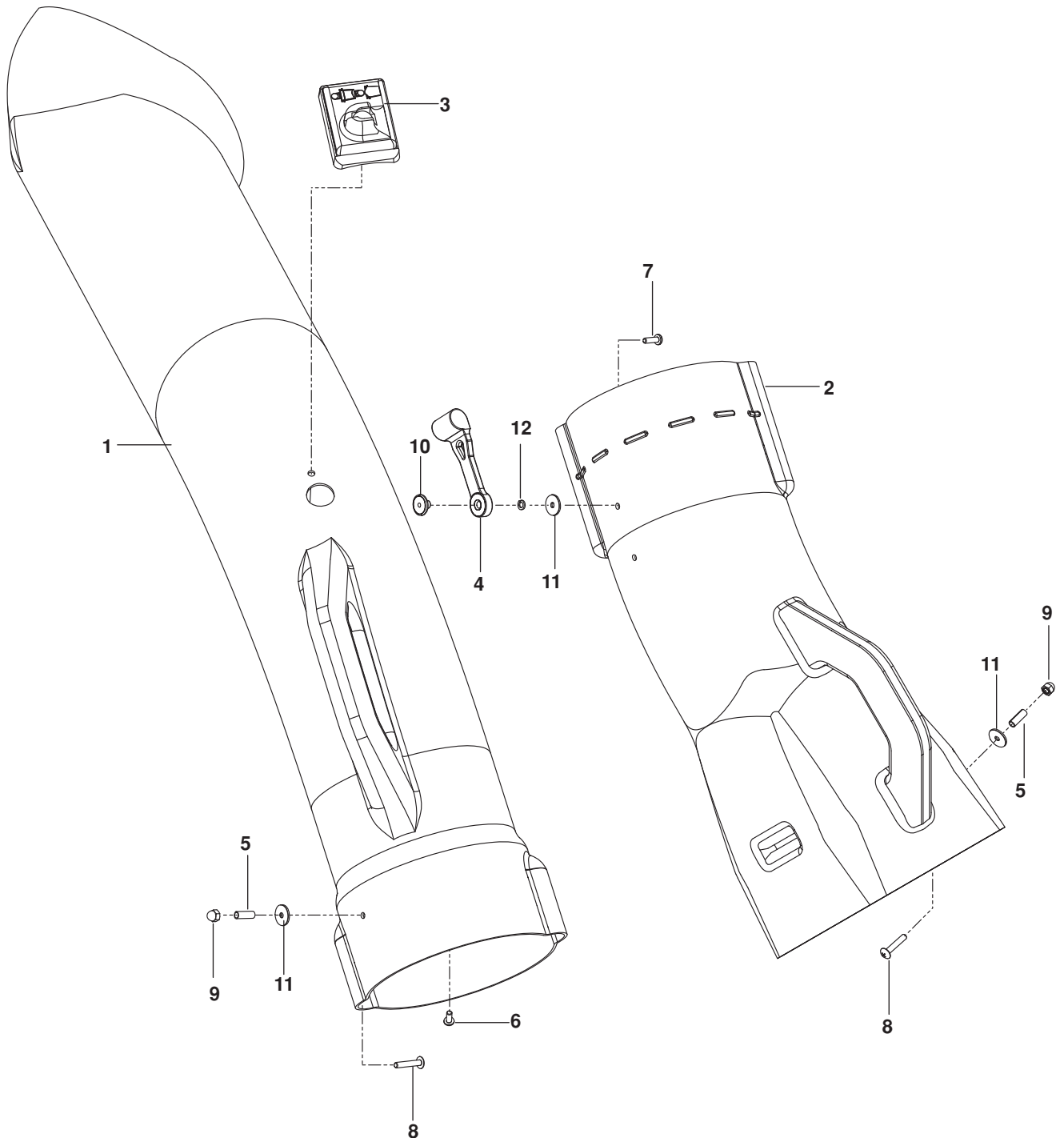


# ACCESSORIES

ITEM	PART NO.	QTY.	DESCRIPTION	ITEM	PART NO.	QTY.	DESCRIPTION
1..	539 130344....	1....	HOUSING w/DECALS	31..	539 130317....	1....	PIN
2..	539 130293....	1....	COVER, BELT	32..	539 130315....	6....	HCS $5/16$ -18 x $1/2$
3..	539 131085....	1....	KEEPER, BELT OUTER	33..	539 110321....	2....	HCS $3/8$ -24 x $1\frac{1}{4}$ GR 8
4..	579 137602....	2....	KEEPER, BELT REAR	34..	539 990209....	1....	HCS $5/16$ -18 x 1
5..	539 130346....	1....	KEEPER	35..	539 990655....	1....	HCS $3/8$ -16 x $1\frac{1}{2}$
6..	579 137702....	1....	KEEPER	36..	539 976949....	1....	HCS $3/8$ -16 x $1\frac{3}{4}$
7..	539 105785....	1....	DECAL, WARNING	37..	539 108461....	3....	HCS $1/4$ -20 x $1/2$
8..	539 106741....	1....	DECAL, SEVERING	38..	539 990643....	1....	HCS $1/4$ -20 x $7/8$
9..	579 150802....	1....	PULLEY, IDLER	39..	539 990316....	4....	RHSNB $5/16$ -18 x $3/4$
10..	539 130324....	1....	PULLEY	40..	539 990645....	1....	RHSNB $3/8$ -16 x 1
11..	539 130292....	1....	IMPELLER	41..	539 990208....	4....	RHSNB $5/16$ -18 x 1
12..	539 113683....	1....	V-IDLER	42..	539 990302....	8....	SCREW $1/4$ x $3/8$ THD FRM
13..	539 130295....	1....	HUB, BEARING	43..	539 976952....	1....	SCREW #10-24 x $5/8$
14..	539 130296....	2....	BEARING	44..	539 200282....	3....	NUT $3/8$ -16 HEX JAM NYLOC
15..	539 130301....	2....	BUSHING	45..	539 130313....	6....	NUT $5/16$ -18 TEE
16..	579 137402....	1....	MOUNT, IDLER, UPPER	46..	539 130314..	11....	NUT $1/4$ -20 TEE
17..	579 137502....	1....	MOUNT, IDLER, LOWER	47..	539 108120....	1....	NUT $1/4$ -20 HEX NYLOC
18..	539 130316....	1....	SHAFT, IMPELLER	48..	539 990717....	9....	NUT $5/16$ -18 HEX NYLOC
19..	579 137302....	1....	ARM, IDLER	49..	539 108735....	1....	NUT $1/4$ -20 HEX FLANGE
20..	539 130338....	1....	ARM, TENSION	50..	539 108089....	1....	WELD NUT, PLATED
21..	539 130339....	1....	BRACKET, MOUNT, FRONT	51..	539 910935....	1....	WASHER
22..	539 130340....	1....	BRACKET, MOUNT, REAR	52..	539 990118....	2....	WASHER $3/8$ SPLT LOCK
23..	539 101977....	1....	TRACTION SPRING	53..	539 990122....	3....	WASHER $3/8$ SAE FLT
24..	539 130323....	1....	SPACER	54..	539 110323....	2....	WASHER, HARDENED
25..	539 108088....	1....	LATCH, HOOD	55..	539 990055....	4....	WASHER $1/4$ FLAT SAE
26..	539 130341....	1....	PLATE, OUTER	56..	539 109552....	2....	WASHER $3/16$ LOCK
27..	539 132124....	1....	PLATE, BACKING	57..	539 108084....	2....	WASHER $3/16$ x $3/4$ x 16 GA
28..	539 132122....	1....	PLATE, BACKING	58..	539 976988....	1....	HAIRPIN
29..	539 115667....	1....	KEY $3/16$ x $1/2$	59..	539 104763....	1....	RETAINER U TYPE
30..	539 125229....	1....	KEY $3/16$ x $1\frac{1}{2}$				

# ACCESSORIES

## CHUTES



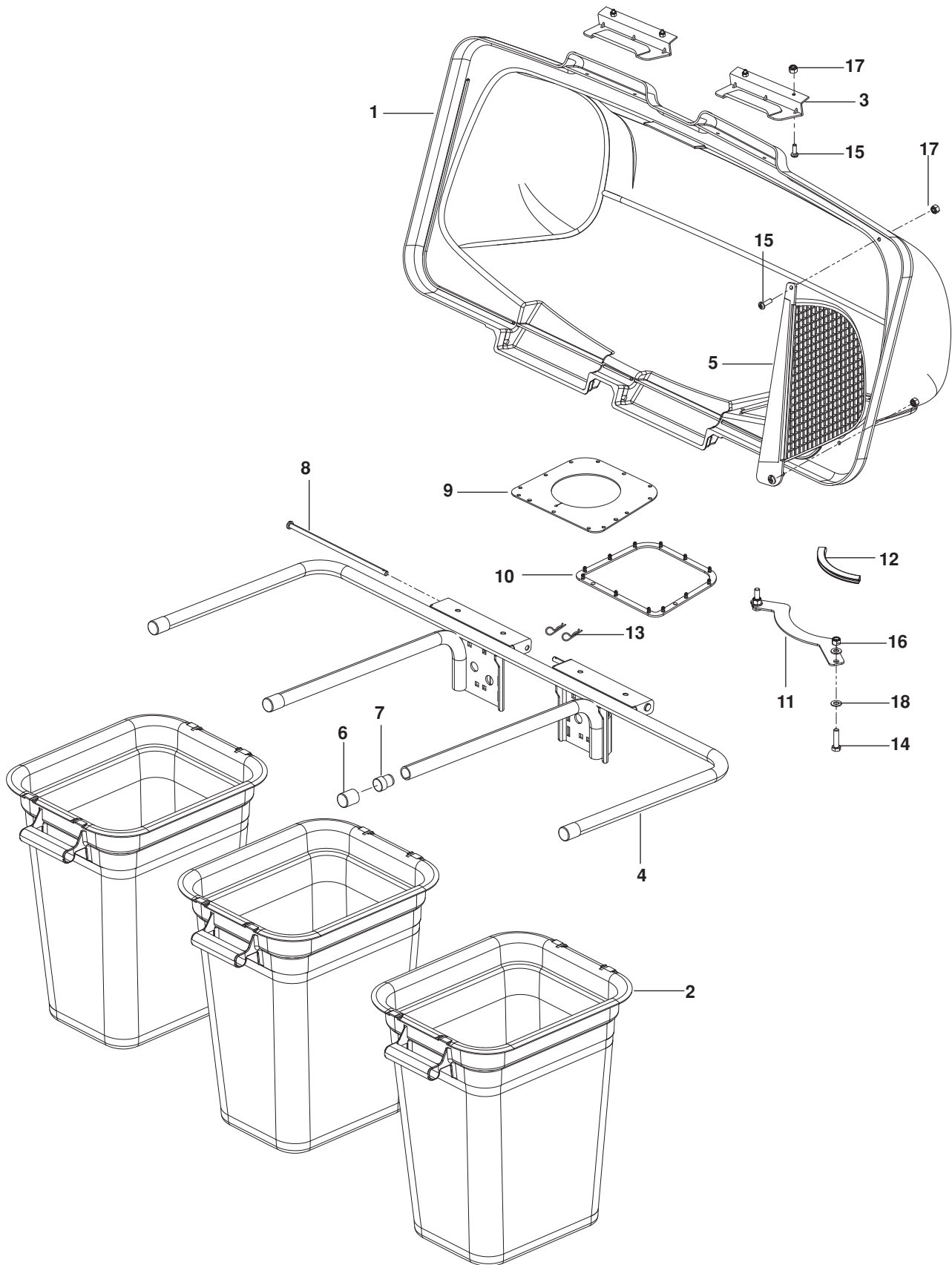
# ACCESSORIES

---

ITEM	PART NO.	QTY.	DESCRIPTION	ITEM	PART NO.	QTY.	DESCRIPTION
1..	522 739202....	1....	CHUTE, UPPER	7..	539 976952....	1....	SCREW #10-24 x 5/8
2..	539 130294....	1....	CHUTE, MIDDLE	8..	539 108083....	2....	SCREW #10-24 x 1 1/8
3..	539 108082....	1....	INDICATOR, BAG DUMP	9..	539 108086....	2....	NUT #10-24 ACORN
4..	539 108088....	1....	LATCH, HOOD	10..	539 108089....	1....	WELD NUT, PLATED
5..	539 108085....	2....	SPACER, SPLIT	11..	539 108084....	3....	WASHER 3/16 x 3/4 x 16 GA
6..	539 108081....	1....	SCREW #10-14 x 1/2	12..	539 109552....	2....	WASHER 3/16 LOCK

# ACCESSORIES

## BAGGER



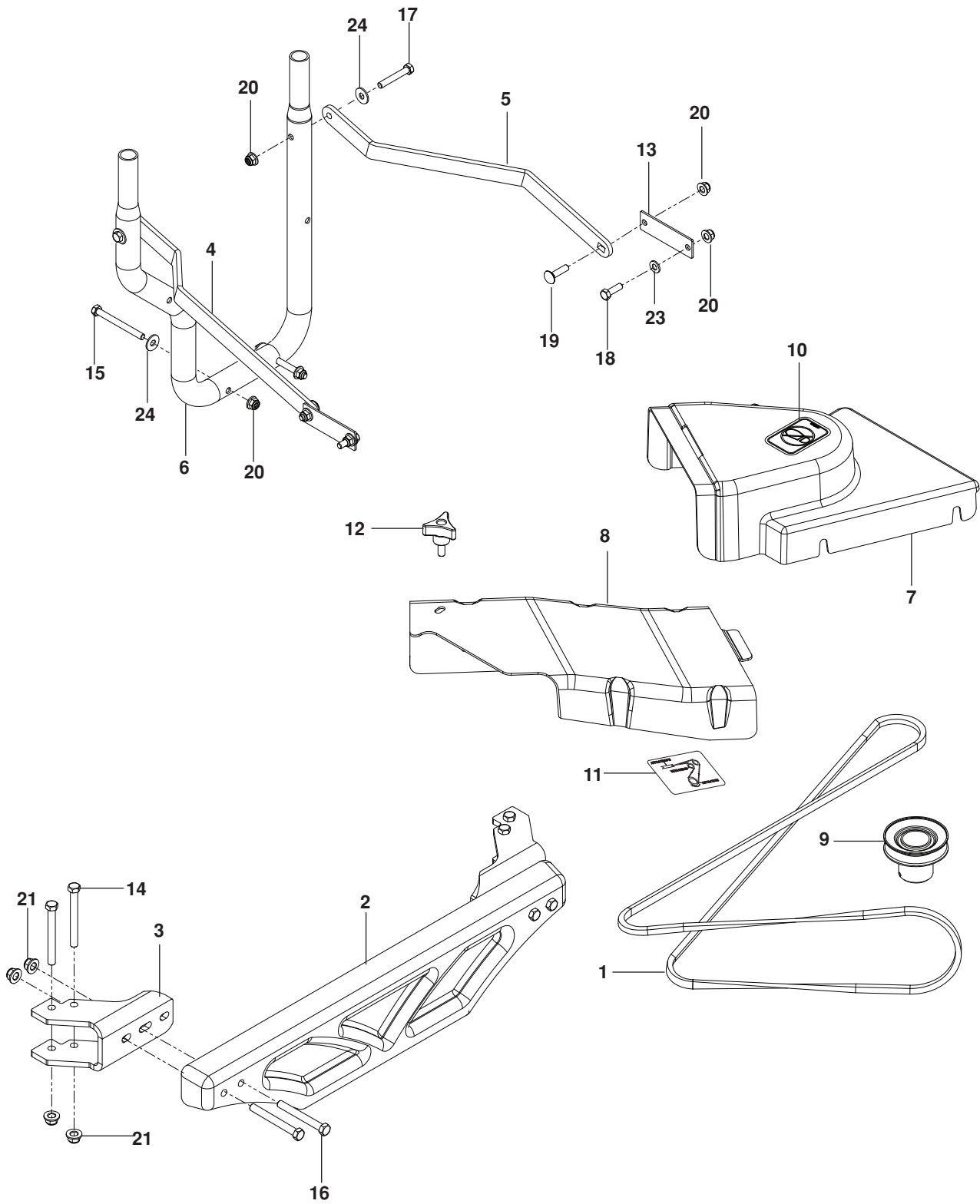
# ACCESSORIES

---

ITEM	PART NO.	QTY.	DESCRIPTION	ITEM	PART NO.	QTY.	DESCRIPTION
1..	532 195373....	1....	COVER	10..	532 192603....	1....	GASKET, COVER
2..	532 400226....	3....	CONTAINER, SOFT BAG	11..	539 110281....	1....	SUPPORT, CHUTE
3..	532 130895....	2....	HANDLE, BAGGER COVER	12..	539 112294....	1....	FLEX TRIM
4..	539 108098....	1....	FRAME, BAGGER	13..	539 108096....	2....	HAIR PIN
5..	532 192709....	1....	SCREEN, COVER	14..	539 990627....	2....	HCS $\frac{5}{16}$ -18 x $1\frac{1}{4}$
6..	539 108097....	4....	PLUG, TUBING END	15..	539 976952....	6....	SCREW #10-24 x $\frac{5}{8}$
7..	522 801301....	2....	PLUG, SPACER	16..	539 112899....	2....	NUT $\frac{5}{16}$ -18 HEX FLG NYLOC
8..	532 192786....	2....	PIN, HINGE	17..	539 976977....	6....	NUT #10-24 CROWNLOCK
9..	532 192550....	1....	SEAL, COVER	18..	539 990188....	4....	WASHER $\frac{5}{16}$ SAE

# ACCESSORIES

SHIELD, MOUNTS, WEIGHTS, BELT



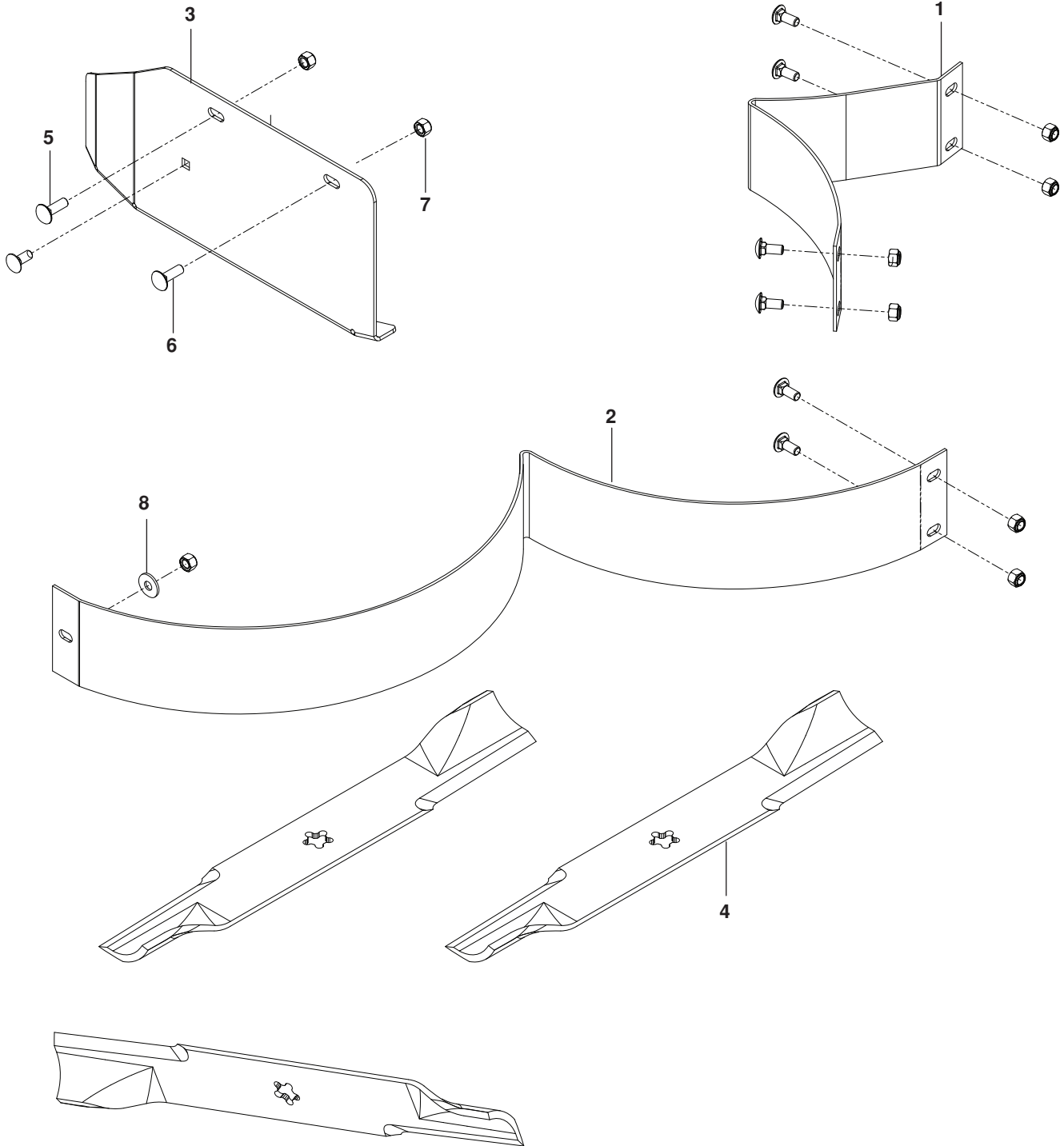
# ACCESSORIES

---

ITEM	PART NO.	QTY.	DESCRIPTION	ITEM	PART NO.	QTY.	DESCRIPTION
1..	539 130347....	1....	BELT	13..	523 112802 ...	2....	PLATE, REINFORCEMENT
2..	539 111587....	1....	WEIGHT PLATE	14..	539 108271....	4....	HCS $\frac{3}{8}$ -16 x 3 $\frac{1}{2}$
3..	522 923202....	2....	WEIGHT BRACKET	15..	539 101520....	2....	HCS $\frac{5}{16}$ -18 x 3 $\frac{1}{4}$
4..	522 854402....	1....	STRAP, SUPPORT, RT 26"	16..	539 101341....	4....	HCS $\frac{3}{8}$ -16 x 3
5..	522 854502....	1....	STRAP, SUPPORT, LT 26"	17..	539 976937....	2....	HCS $\frac{5}{16}$ -18 x 2
6..	539 131091....	1....	TUBE, MOUNT	18..	539 990209....	2....	HCS $\frac{5}{16}$ -18 x 1
7..	539 130306....	1....	SHIELD, BELT	19..	539 100472....	2....	RHSNB $\frac{5}{16}$ -18 x 1 $\frac{1}{4}$
8..	539 130309....	1....	COVER, BELT	20..	539 112899....	8....	NUT $\frac{5}{16}$ -18 HEX FLG NYLOC
9..	539 130319....	1....	PULLEY	21..	521 996501....	8....	NUT $\frac{3}{8}$ -16 HEX FLANGE
10..	539 105743....	1....	DECAL, NO STEP	22..	539 990188....	2....	WASHER $\frac{5}{16}$ SAE FLAT
11..	539 130349....	1....	DECAL, BELT ROUTING	23..	539 990692....	4....	WASHER $\frac{5}{16}$ STD FLT
12..	539 104411....	1....	KNOB w/ STUD				

# ACCESSORIES

## MULCH KIT





# ACCESSORIES

---

ITEM	PART NO.	QTY.	DESCRIPTION
1..	539 113417....	1....	BAFFLE, MULCH, LEFT
2..	539 113419....	1....	BAFFLE, MULCH, RIGHT
3..	539 113428....	1....	CAP, MULCH, 48
4..	522 037401....	3....	BLADE, 16¼" GATOR

ITEM	PART NO.	QTY.	DESCRIPTION
5..	539 990208....	2....	RHSNB <sup>5</sup> / <sub>16</sub> -18 x 1 GR5
6..	539 990316....	7....	RHSNB <sup>5</sup> / <sub>16</sub> -18 X <sup>3</sup> / <sub>4</sub> GR5
7..	539 990717....	9....	NUT <sup>5</sup> / <sub>16</sub> -18 NYLOC
8..	539 990692....	1....	WASHER <sup>5</sup> / <sub>16</sub>





