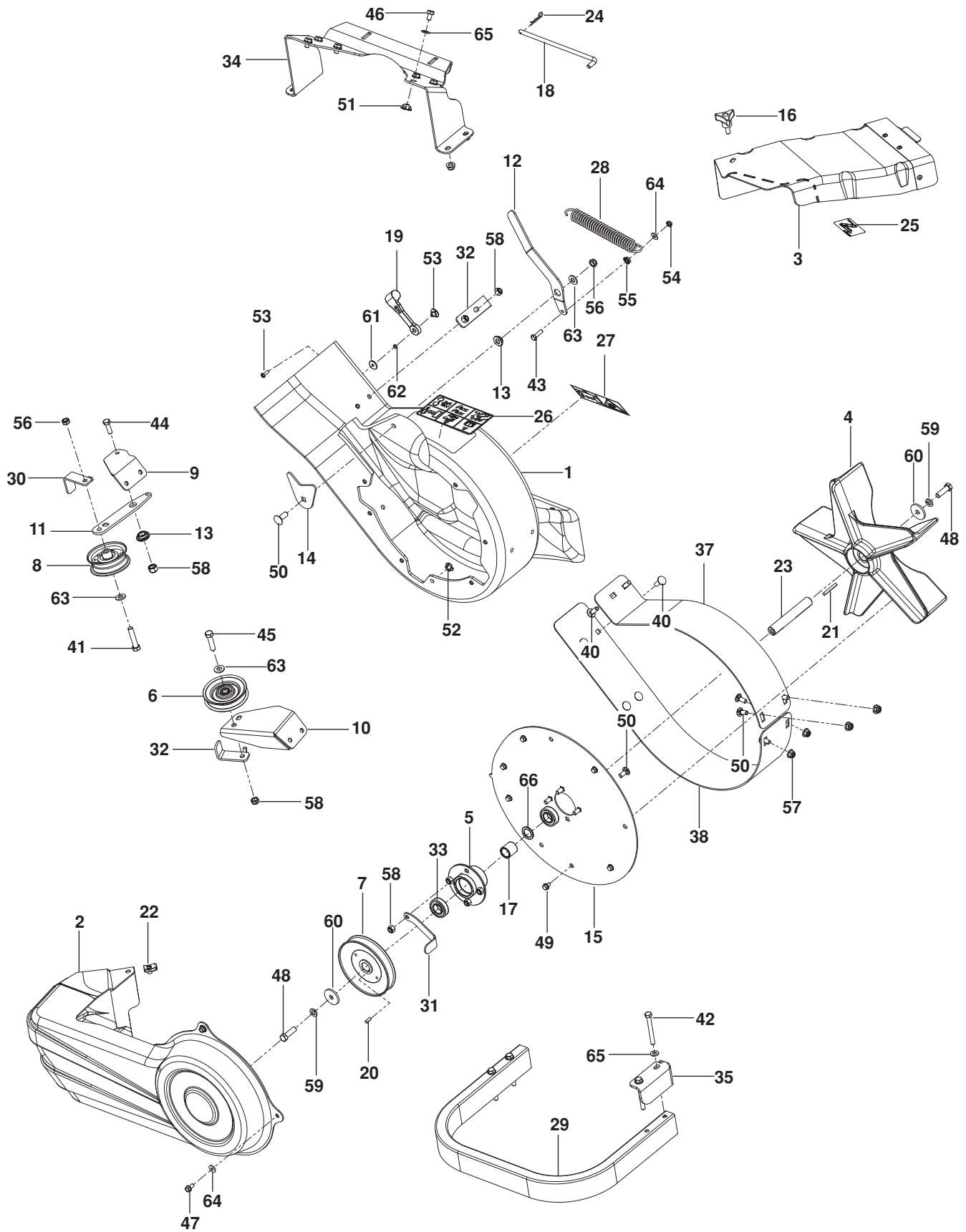




**Parts Manual**  
**Collection System**  
M-ZT 52 /966793002  
M-ZT 61 /966793003

# REPAIR PARTS

## BLOWER ASSEMBLY



# REPAIR PARTS

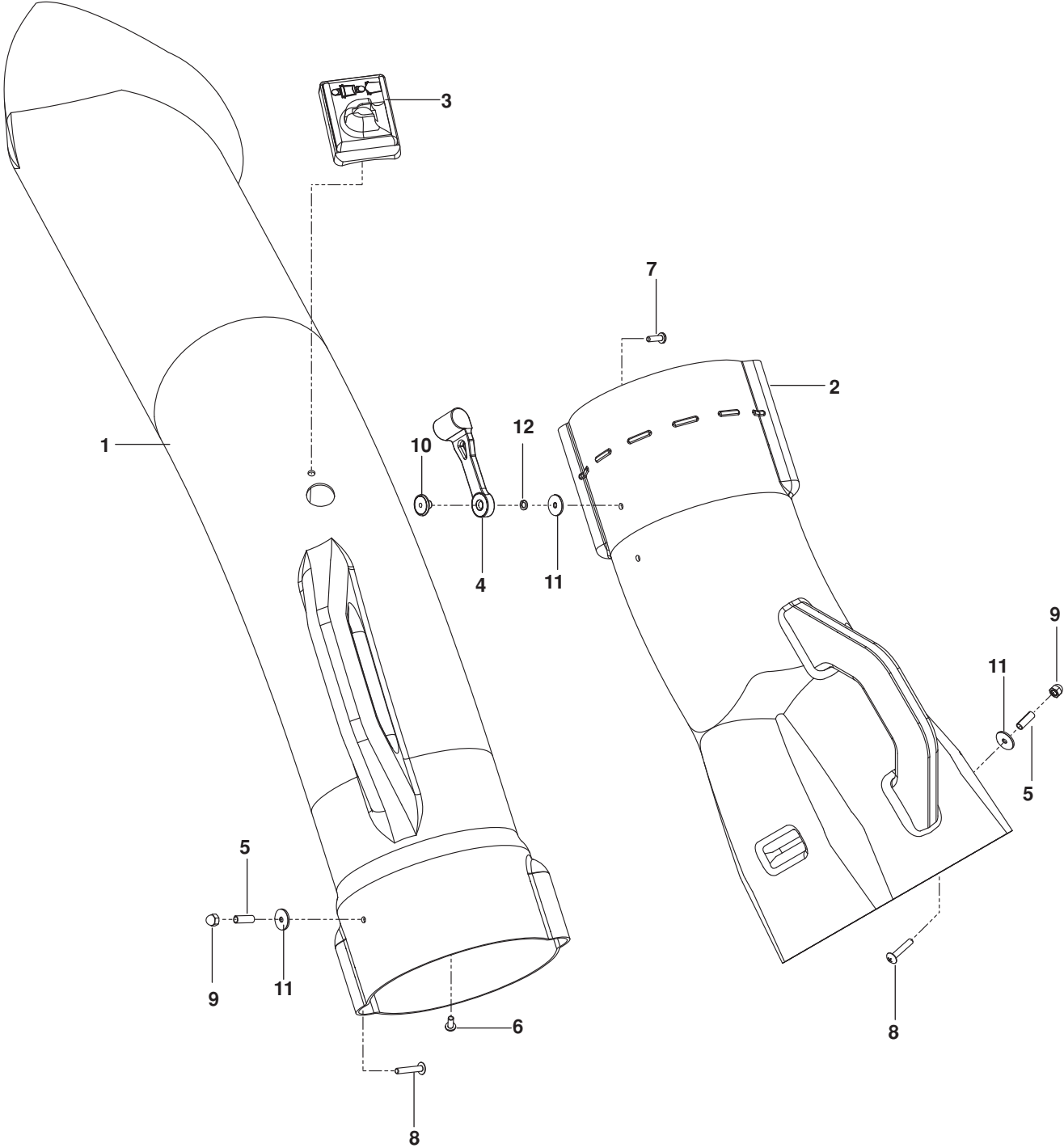
---

| ITEM | PART NO.       | QTY.  | DESCRIPTION                        | ITEM | PART NO.       | QTY.   | DESCRIPTION                                      |
|------|----------------|-------|------------------------------------|------|----------------|--------|--|
| 1..  | 539 130344.... | 1.... | HOUSING w/DECALS                   | 33.. | 539 130296.... | 2....  | BEARING  |
| 2..  | 539 130293.... | 1.... | COVER, BELT                        | 34.. | 522 909602.... | 1....  | BRACKET, MOUNT                                   |
| 3..  | 574 411501.... | 1.... | COVER, BELT                        | 35.. | 522 909502.... | 1....  | BRACKET, RETENTION                               |
| 4..  | 539 130292.... | 1.... | IMPELLER                           | 36.. | 525 618302.... | 1....  | SAND LINER, TOP                                  |
| 5..  | 539 130295.... | 1.... | HUB                                | 37.. | 522 909702.... | 1....  | SAND LINER, BOTTOM                               |
| 6..  | 539 113683.... | 1.... | PULLEY, V-IDLER                    | 38.. | 539 990645.... | 1....  | RHSNB $\frac{3}{8}$ -16 x 1                      |
| 7..  | 539 130324.... | 1.... | PULLEY                             | 39.. | 539 990316.... | 6....  | RHSNB $\frac{5}{16}$ -18 x $\frac{3}{4}$         |
| 8..  | 579 150802.... | 1.... | PULLEY, IDLER                      | 40.. | 539 990208.... | 6....  | RHSNB $\frac{5}{16}$ -18 x 1                     |
| 9..  | 579 137402.... | 1.... | MOUNT, UPPER BLK                   | 41.. | 539 976949.... | 1....  | HCS $\frac{3}{8}$ -16 x $1\frac{3}{4}$           |
| 10.. | 579 137502.... | 1.... | MOUNT, LOWER BLK                   | 42.. | 539 101721.... | 4....  | HCS $\frac{5}{16}$ -18 x $2\frac{3}{4}$          |
| 11.. | 579 137302.... | 1.... | ARM, IDLER                         | 43.. | 539 990643.... | 1....  | HCS $\frac{1}{4}$ -20 x $\frac{7}{8}$            |
| 12.. | 539 130338.... | 1.... | ARM, TENSION                       | 44.. | 539 990209.... | 1....  | HCS $\frac{5}{16}$ -18 x 1                       |
| 13.. | 539 130301.... | 2.... | BUSHING                            | 45.. | 539 990655.... | 1....  | HCS $\frac{3}{8}$ -16 x $1\frac{1}{2}$           |
| 14.. | 539 132124.... | 1.... | PLATE, BACKING                     | 46.. | 539 130315.... | 6....  | HCS $\frac{5}{16}$ -18 x $\frac{1}{2}$           |
| 15.. | 539 130341.... | 1.... | PLATE, OUTER                       | 47.. | 539 108461.... | 3....  | BOLT $\frac{1}{4}$ -20 x $\frac{1}{2}$ HWST      |
| 16.. | 539 104411.... | 1.... | KNOB w/ STUD                       | 48.. | 539 110321.... | 2....  | BOLT $\frac{3}{8}$ -24 x $1\frac{1}{4}$ HEX GR 8 |
| 17.. | 539 130323.... | 1.... | SPACER                             | 49.. | 539 990302.... | 8....  | SCREW $\frac{1}{4}$ -20 x $\frac{3}{8}$ THD FRM  |
| 18.. | 522 909801.... | 1.... | PIN, RETENTION                     | 50.. | 539 976952.... | 1....  | SCREW #10-24 x $\frac{5}{8}$ MACH                |
| 19.. | 539 108088.... | 1.... | LATCH, HOOD                        | 51.. | 539 130313.... | 6....  | NUT $\frac{5}{16}$ -18 TEE                       |
| 20.. | 539 115667.... | 1.... | KEY $\frac{3}{16}$ x $\frac{1}{2}$ | 52.. | 539 130314.... | 9....  | NUT $\frac{1}{4}$ -20 TEE                        |
| 21.. | 539 125229.... | 1.... | KEY $1\frac{1}{2}$                 | 53.. | 539 108089.... | 1....  | WELDNUT, PLATED                                  |
| 22.. | 539 104763.... | 1.... | RETAINER, U TYPE                   | 54.. | 539 108120.... | 1....  | NUT $\frac{1}{4}$ -20 HEX THIN NYLOC             |
| 23.. | 539 130316.... | 1.... | SHAFT, IMPELLER                    | 55.. | 539 108735.... | 1....  | NUT $\frac{1}{4}$ -20 HEX FLANGE LK              |
| 24.. | 539 976988.... | 1.... | HAIRPIN COTTER                     | 56.. | 539 200282.... | 3....  | NUT $\frac{3}{8}$ -16 HEX JAM NYLOC              |
| 25.. | 539 130349.... | 1.... | DECAL, BELT ROUTING                | 57.. | 539 112899..   | 10.... | NUT $\frac{5}{16}$ -18 HEX FLG NYLOC             |
| 26.. | 539 105785.... | 1.... | DECAL, WARNING                     | 58.. | 539 990717.... | 9....  | NUT $\frac{5}{16}$ -18 HEX NYLOC                 |
| 27.. | 539 106741.... | 1.... | DECAL, SEVERING                    | 59.. | 539 990118.... | 2....  | WASHER $\frac{3}{8}$ SLW                         |
| 28.. | 539 101977.... | 1.... | SPRING, TRACTION                   | 60.. | 532 140296.... | 2....  | WASHER, HARDENED                                 |
| 29.. | 522 909402.... | 1.... | TUBE, RUB                          | 61.. | 539 108084.... | 1....  | WASHER $\frac{3}{16}$ x $\frac{3}{4}$ x 16 GA    |
| 30.. | 579 137602.... | 1.... | KEEPER, BELT REAR BLK              | 62.. | 539 109552.... | 1....  | WASHER $\frac{3}{16}$ SLW                        |
| 31.. | 539 131085.... | 1.... | KEEPER, BELT OUTER BLK             | 63.. | 539 990122.... | 3....  | WASHER $\frac{3}{8}$ SAE FLT                     |
| 32.. | 579 137702.... | 1.... | KEEPER                             | 64.. | 539 990055.... | 4....  | WASHER $\frac{1}{4}$ FLAT SAE                    |
|      |                |       |                                    | 65.. | 539 990188..   | 10.... | WASHER $\frac{5}{16}$ SAE FLAT                   |

NOTE: ALL FASTENERS ARE GRADE 5 UNLESS OTHERWISE SPECIFIED.

# REPAIR PARTS

## CHUTES



# REPAIR PARTS

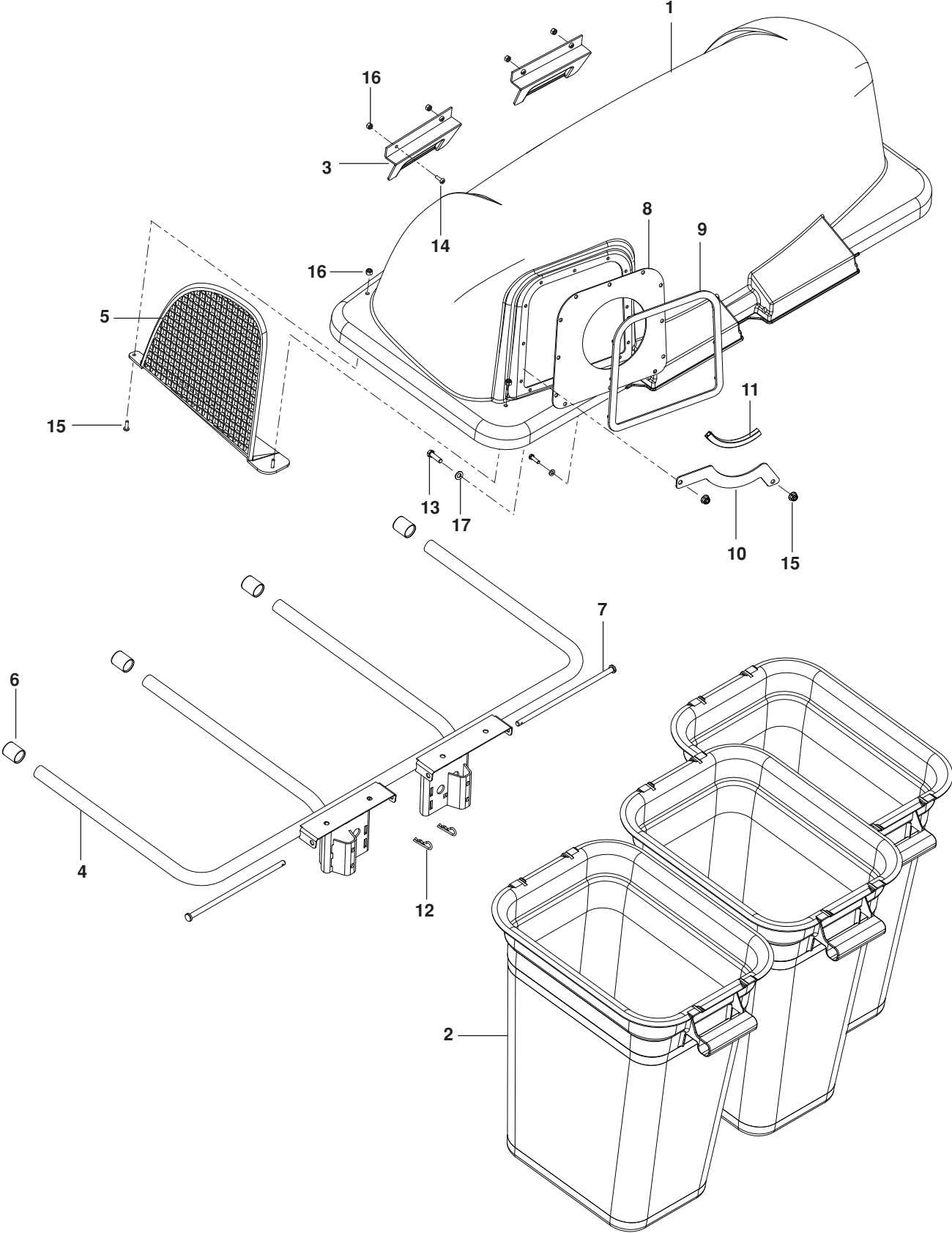
---

| ITEM | PART NO.       | QTY.  | DESCRIPTION         | ITEM | PART NO.       | QTY.  | DESCRIPTION               |
|------|----------------|-------|---------------------|------|----------------|-------|---------------------------|
| 1..  | 539 108141.... | 1.... | CHUTE, UPPER        | 7..  | 539 976952.... | 1.... | SCREW #10-24 x 5/8        |
| 2..  | 539 130294.... | 1.... | CHUTE, MIDDLE       | 8..  | 539 108083.... | 2.... | SCREW #10-24 x 1 1/8      |
| 3..  | 539 130933.... | 1.... | INDICATOR, BAG DUMP | 9..  | 539 108086.... | 2.... | NUT #10-24 ACORN          |
| 4..  | 539 108088.... | 1.... | LATCH, HOOD         | 10.. | 539 108089.... | 1.... | WELDNUT, PLATED           |
| 5..  | 539 108085.... | 2.... | SPACER, SPLIT       | 11.. | 539 108084.... | 3.... | WASHER 3/16 x 3/4 x 16 GA |
| 6..  | 539 108081.... | 1.... | SCREW #10-14 x 1/2  | 12.. | 539 109552.... | 2.... | WASHER 3/16 LOCK          |

NOTE: ALL FASTENERS ARE GRADE 5 UNLESS OTHERWISE SPECIFIED.

# REPAIR PARTS

## BAGGER



# REPAIR PARTS

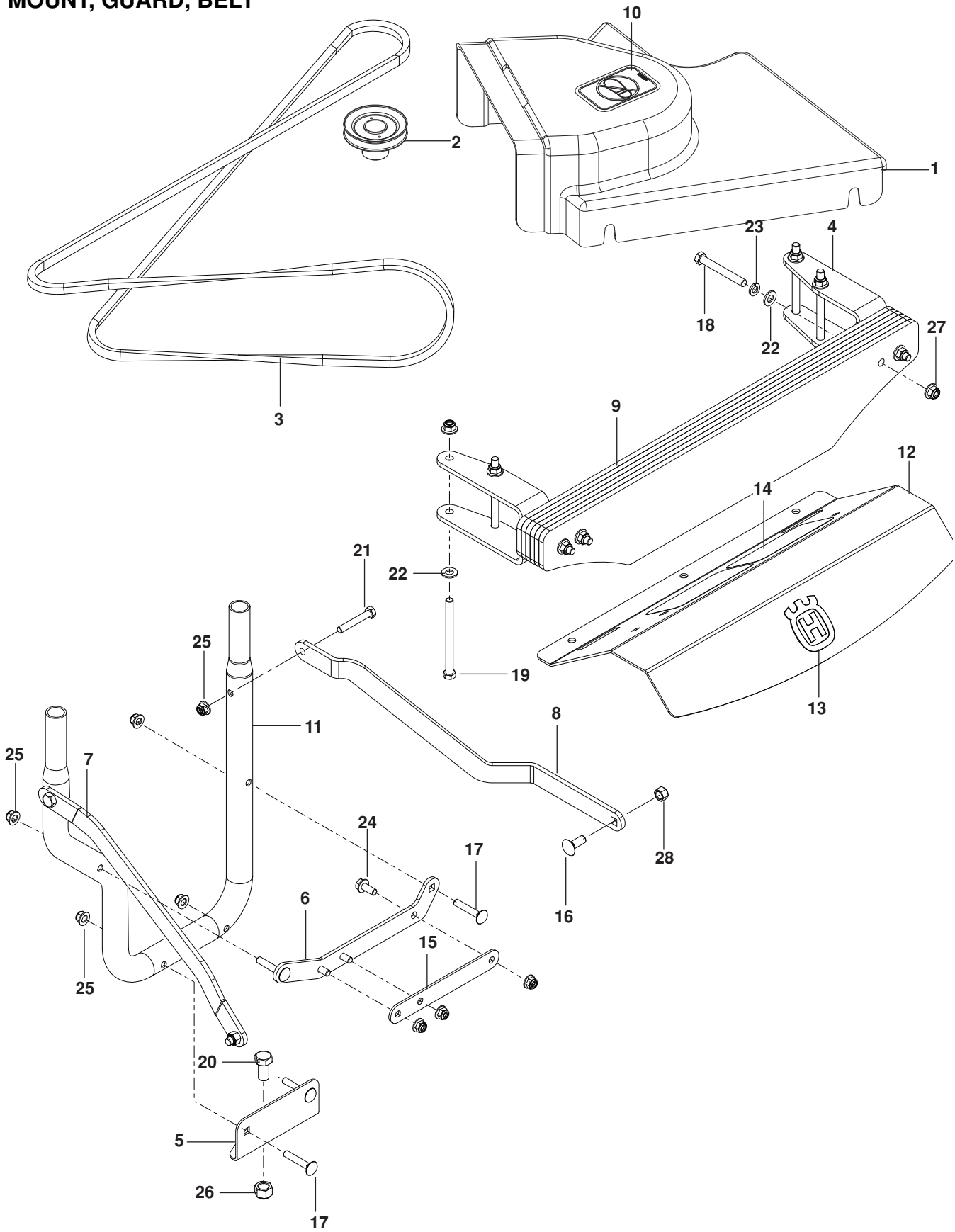
---

| ITEM | PART NO.       | QTY.  | DESCRIPTION          | ITEM | PART NO.       | QTY.  | DESCRIPTION  |
|------|----------------|-------|----------------------|------|----------------|-------|--|
| 1..  | 532 195373.... | 1.... | COVER                | 10.. | 539 110281.... | 1.... | SUPPORT, CHUTE                                     |
| 2..  | 532 400226.... | 3.... | CONTAINER, SOFT BAG  | 11.. | 539 112294.... | 1.... | FLEX TRIM  |
| 3..  | 532 130895.... | 2.... | HANDLE, BAGGER COVER | 12.. | 539 108096.... | 2.... | HAIR PIN   |
| 4..  | 532 176990.... | 1.... | FRAME, BAGGER        | 13.. | 539 990627.... | 2.... | HCS <sup>5</sup> / <sub>16</sub> -18 x 1¼          |
| 5..  | 532 192709.... | 1.... | SCREEN, COVER        | 14.. | 539 976952.... | 6.... | SCREW #10-24 x <sup>5</sup> / <sub>8</sub>         |
| 6..  | 532 174083.... | 2.... | PLUG, SPACER         | 15.. | 539 112899.... | 2.... | NUT <sup>5</sup> / <sub>16</sub> -18 HEX FLG NYLOC |
| 7..  | 532 192786.... | 2.... | PIN, HINGE           | 16.. | 539 976977.... | 6.... | NUT #10-24 CROWNLOCK                               |
| 8..  | 532 192550.... | 1.... | SEAL, COVER          | 17.. | 539 990188.... | 4.... | WASHER <sup>5</sup> / <sub>16</sub> SAE            |
| 9..  | 532 192603.... | 1.... | GASKET, COVER        |      |                |       |  |

NOTE: ALL FASTENERS ARE GRADE 5 UNLESS OTHERWISE SPECIFIED.

# REPAIR PARTS

## MOUNT, GUARD, BELT





# REPAIR PARTS

---

| ITEM | PART NO.       | QTY.   | DESCRIPTION       | ITEM | PART NO.       | QTY.   | DESCRIPTION                               |
|------|----------------|--------|-------------------|------|----------------|--------|---|
| 1..  | 539 130307.... | 1....  | SHIELD, BELT, 52" | 15.. | 576 221502.... | 1....  | SPACER                                    |
|      | 539 130308 ... | 1 .... | SHIELD, BELT, 61" | 16.. | 539 990645.... | 2....  | RHSNB $\frac{3}{8}$ -16 x 1               |
| 2..  | 539 130320.... | 1....  | PULLEY, 52"       | 17.. | 539 990861.... | 4....  | RHSNB $\frac{5}{16}$ -18 x $1\frac{3}{4}$ |
|      | 539 130321 ... | 1 .... | PULLEY, 61"       | 18.. | 539 101341.... | 4....  | HCS $\frac{3}{8}$ -16 x 3                 |
| 3..  | 539 130347.... | 1....  | BELT 52"          | 19.. | 539 102334.... | 4....  | HCS $\frac{3}{8}$ -16 x $4\frac{1}{2}$    |
|      | 539 130348 ... | 1 .... | BELT 61"          | 20.. | 539 990646.... | 1....  | HCS $\frac{1}{2}$ -13 x 1                 |
| 4..  | 584 812002.... | 1....  | FOOT REST         | 21.. | 539 976937 ... | 2 ...  | HCS $\frac{5}{16}$ -18 x 2                |
| 5..  | 539 132192.... | 1....  | MOUNT, HITCH      | 22.. | 539 990122 ... | 8 ...  | WASHER $\frac{3}{8}$ SAE FLT              |
| 6..  | 576 221402.... | 1....  | BRACKET, SUPPORT  | 23.. | 539 990118 ... | 4 ...  | WASHER $\frac{3}{8}$ LK                   |
| 7..  | 539 132198 ... | 1 ...  | STRAP, RT BLK     | 24.. | 525 464701 ... | 3 ...  | HHFS $\frac{5}{16}$ -18 x $\frac{3}{4}$   |
| 8..  | 575 953302.... | 1 ...  | STRAP, LT BLK     | 25.. | 539 112899.... | 9....  | NUT $\frac{5}{16}$ -18 HEX FLG NYLOC      |
| 9..  | 539 113232.... | 6....  | PLATE, WEIGHT     | 26.. | 539 101331.... | 1....  | NUT $\frac{1}{2}$ -13 HEX NYLOC           |
| 10.. | 522 989002.... | 2....  | BRACKET, WEIGHT   | 27.. | 521 966501.... | 8....  | NUT $\frac{3}{8}$ -16 HEX FLG NYLOC       |
| 11.. | 539 131091 ... | 1 ...  | TUBE, MOUNT       | 28.. | 539 976979...  | 2....  | NUT $\frac{3}{8}$ -16 HEX NYLOC           |
| 12.. | 539 105743.... | 1....  | DECAL, NO STEP    |      | NOT SHOWN      |        |   |
| 13.. | 532 428676.... | 1....  | DECAL, CROWN      |      | 539 110290 ... | 1 .... | BLOCK, FOAM                               |
| 14.. | 539 121322.... | 2....  | ABRASIVE PAD      |      |                |        |   |

NOTE: ALL FASTENERS ARE GRADE 5 UNLESS OTHERWISE SPECIFIED.

