

Gasoline containing up to 10% ethanol (E10) is acceptable for use in this machine. The use of any gasoline exceeding 10% ethanol (E10) will void the product warranty.

Parts Manual **M-ZT52 / 967177003**



Please read the operator's manual carefully and make sure you understand the instructions before using the machine.

When you need spare parts or support in service questions, warranty issues, etc., please consult the following professional:

This manual belongs to the machine with the manufacturing number:	Engine	Transmission

Manufacturing Number

The machine's manufacturing number can be found on the printed plate affixed to the engine compartment.

Stated on the plate, from the top are:

- The machine's type designation (I.D.).
- The manufacturer's type number (Model).
- The machine's serial number (Serial no.)

Please have the type designation and serial number available when ordering spare parts.

The engine's manufacturing number is stamped on one of the valve covers.

The plate states:

- The engine's model.
- The engine's type.
- Code

Please have these available when ordering spare parts.

The wheel motors and hydrostatic pumps have a barcode decal affixed at the rear.

Accessories Available

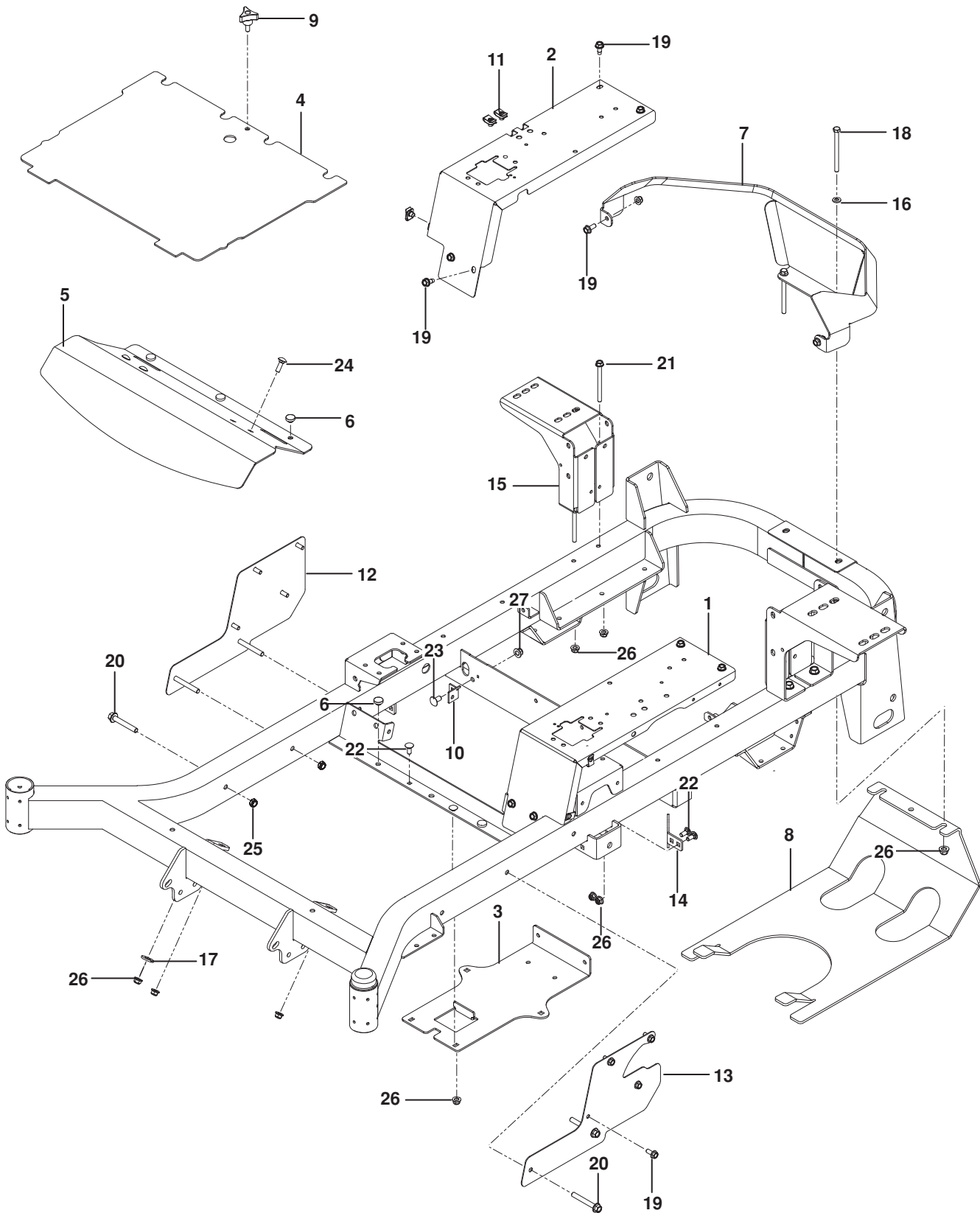
Collection System	966 793002
Mulch Kit	965 894001

CONTENTS

FRAME	4
ENGINE PLATE.....	6
STEERING	8
IGNITION.....	10
PARKING BRAKE	12
HYDRAULIC PUMP-MOTOR.....	14
WHEELS	16
MOWER LIFT / DECK LIFT.....	18
MOWER DECK / CUTTING DECK	20
SEAT	22
DECALS	24
PROTECTION FRAME	26
ACCESSORIES	
BLOWER ASSEMBLY.....	28
CHUTES	30
BAGGER.....	32
MOUNT, GUARD, BELT	34
MULCH KIT.....	36

NOTE: ALL FASTENERS ARE GRADE 5 UNLESS OTHERWISE SPECIFIED.

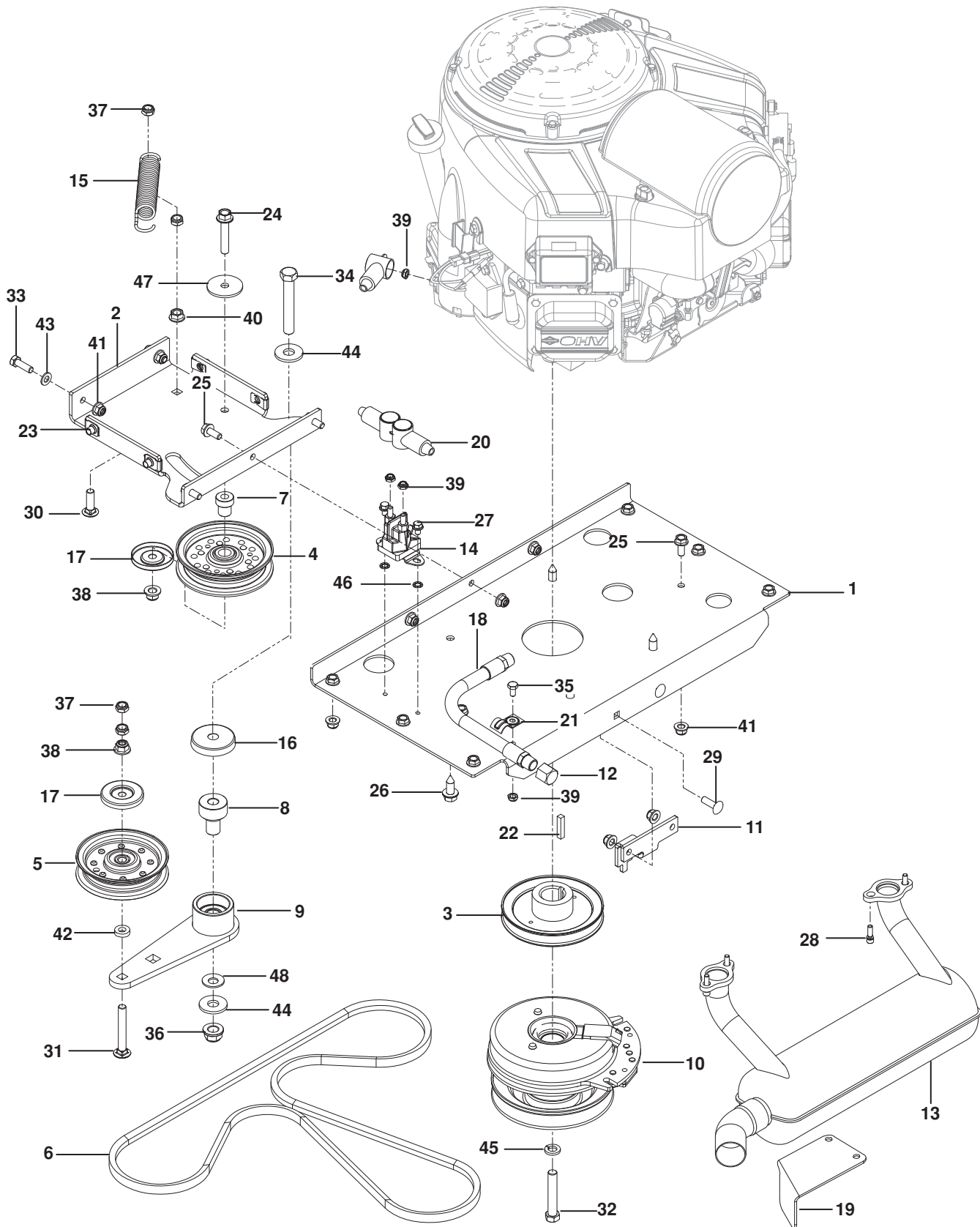
FRAME



FRAME

ITEM	PART NO.	QTY.	DESCRIPTION	ITEM	PART NO.	QTY.	DESCRIPTION
1..	577 256802....	1 PANEL, FILLER LT ORG	15..	575 533602....	2 MOUNT, TANK BLK
2..	577 256902....	1 PANEL, FILLER RT ORG	16..	539 990188....	2 WASHER $\frac{5}{16}$ SAE FLT
3..	575 017202....	1 PLATE, BATTERY ORG	17..	539 109554....	1 WASHER $\frac{1}{2}$ FLT
4..	539 132744....	1 PLATE w/ SAFTY DECAL ORG	18..	539 102335....	2 HCS $\frac{5}{16}$ -18 x 4
5..	539 132380....	1 PLATE, FOOTREST ORG	19..	525 464701..	16 HHFS $\frac{5}{16}$ -18 x $\frac{3}{4}$
6..	539 102587....	7 GROMMET, BUMPER	20..	539 131781....	5 HHFS $\frac{3}{8}$ -16 x $2\frac{3}{4}$
7..	575 348402....	1 GUARD, REAR	21..	539 131780....	4 HHFS $\frac{5}{16}$ -18 x $3\frac{3}{4}$
8..	521 921805....	1 GUARD, SKID	22..	539 990316....	6 RHSNB $\frac{5}{16}$ -18 x $\frac{3}{4}$
9..	539 104411....	1 KNOB w/ STUD	23..	539 109117....	2 RHSNB $\frac{3}{8}$ -16 x $\frac{3}{4}$
10..	575 245202....	2 BRACKET, DAMPENER BLK	24..	539 990208....	3 RHSNB $\frac{5}{16}$ -18 x 1
11..	539 104763....	8 RETAINER-U TYPE	25..	539 200282....	5 NUT $\frac{3}{8}$ -16 HEX JAM NYLOC
12..	577 259801....	1 SIDE, LT BLK	26..	539 112899..	17 NUT $\frac{5}{16}$ -18 HEX FLG NYLOC
13..	577 259701....	1 SIDE, RT BLK	27..	521 996501....	2 NUT $\frac{3}{8}$ -16 HEX FLG NYLOC
14..	505 256401....	2 STOP, DECK				

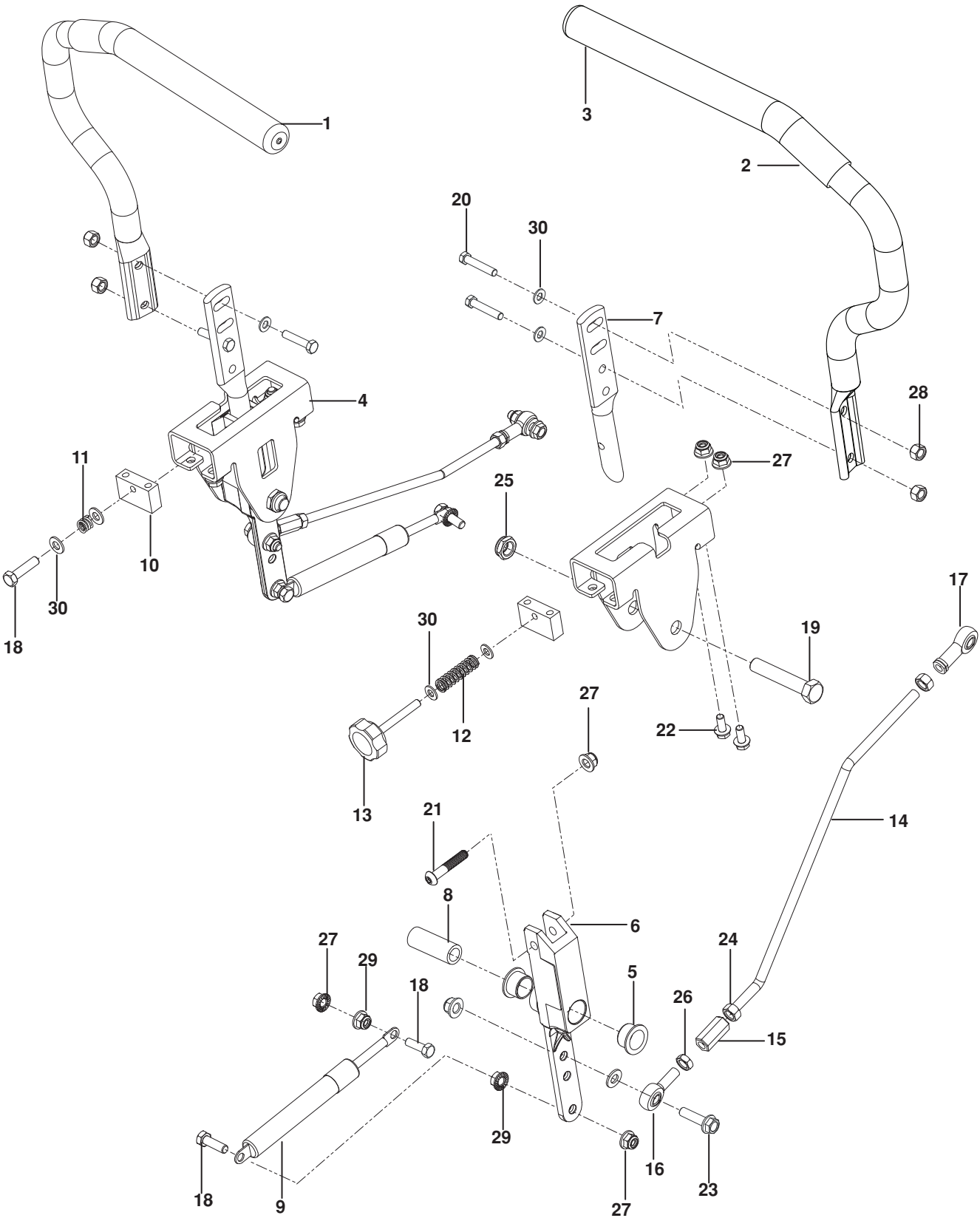
ENGINE PLATE



ENGINE PLATE

ITEM	PART NO.	QTY.	DESCRIPTION	ITEM	PART NO.	QTY.	DESCRIPTION
1..	574 846302....	1 PLATE, ENGINE, BLK	27..	539 990302....	2 SCREW 1/4-20 x 8 THD FRM
2..	574 846402....	1 PLATE, IDLER SUPPORT, BLK	28..	532 183906....	4 SCREW 5/16-18 x 1 SKT HD
3..	574 811001....	1 PULLEY, V, 1.125 BORE	29..	539 107271....	2 RHSSNB 5/16-18 x 1
4..	539 976688....	1 PULLEY, IDLER	30..	539 100413....	1 RHSNB 3/8-16 x 1 1/4
5..	539 107620....	1 PULLEY, IDLER SECONDARY	31..	539 130235....	1 RHSNB 3/8-16 x 2 3/4
6..	574 870901....	1 BELT	32..	539 991120....	1 HCS 7/16-20 x 2 1/2
7..	525 435601....	1 PIVOT, IDLER	33..	539 990209....	2 HCS 5/16-18 x 1
8..	510 206301....	1 PIVOT, BEARING	34..	539 103433....	1 HCS 1/2-13 x 3 1/4
9..	510 041603....	1 ARM, IDLER w/ BEARINGS	35..	539 990071....	1 HCS 1/4-20 x 1/2
10..	574 607001....	1 CLUTCH, 200 FT-LB	36..	521 991101....	1 NUT 1/2-13 HEX FLANGE NYL
11..	575 017302....	1 STOP, CLUTCH BLK	37..	539 200282....	4 NUT 3/8-16 HEX JAM NYLOC
12..	539 101364....	1 PLUG, OIL	38..	521 996501....	2 NUT 3/8-16 HEX FLANGE NYL
13..	576 701801....	1 MUFFLER, B&S CYCLONIC	39..	539 108120....	4 NUT 1/4-20 HEX THIN
14..	539 101714....	1 SOLENOID	40..	539 990613....	1 NUT 3/8-16 HEX WHIZLK
15..	510 254401....	1 SPRING, PUMP	41..	539 112899..	15 NUT 5/16-18 HEX FLANGE NYL
16..	539 114662....	1 SHIELD, DUST	42..	539 109562....	1 WASHER 3/8 x 3/4
17..	510 254501....	2 SHIELD, DUST	43..	539 990188....	2 WASHER 5/16 SAE FLAT
18..	539 101362....	1 HOSE, DRAIN	44..	539 109554....	2 WASHER 1/2 FLAT ZD
19..	579150901	1 SHIELD, MUFFLER	45..	539 990247....	1 WASHER 7/16 SLW
20..	539 102759....	3 INSULATOR	46..	539 990053....	2 WASHER 1/4 INT TOOTH LK
21..	539 101363....	1 CLAMP	47..	539 111897....	1 WASHER, SPECIAL
22..	539 912757....	1 KEY 1/4 SQ x 1 1/4	48..	539 115528....	1 WASHER 1/2" BELLEVILLE
23..	539 104763....	4 RETAINER, U TYPE	NOT SHOWN			
24..	525 866201....	1 HHFS 3/8-16 x 2	539 107516	1 PIGTAIL CV490S	
25..	525 464701..	11 HHFS 5/16-18 x 3/4	532 165391	1 GASKET, MUFFLER	
26..	532 120616....	4 HHFS 3/8-16 x 1 THD FRM				

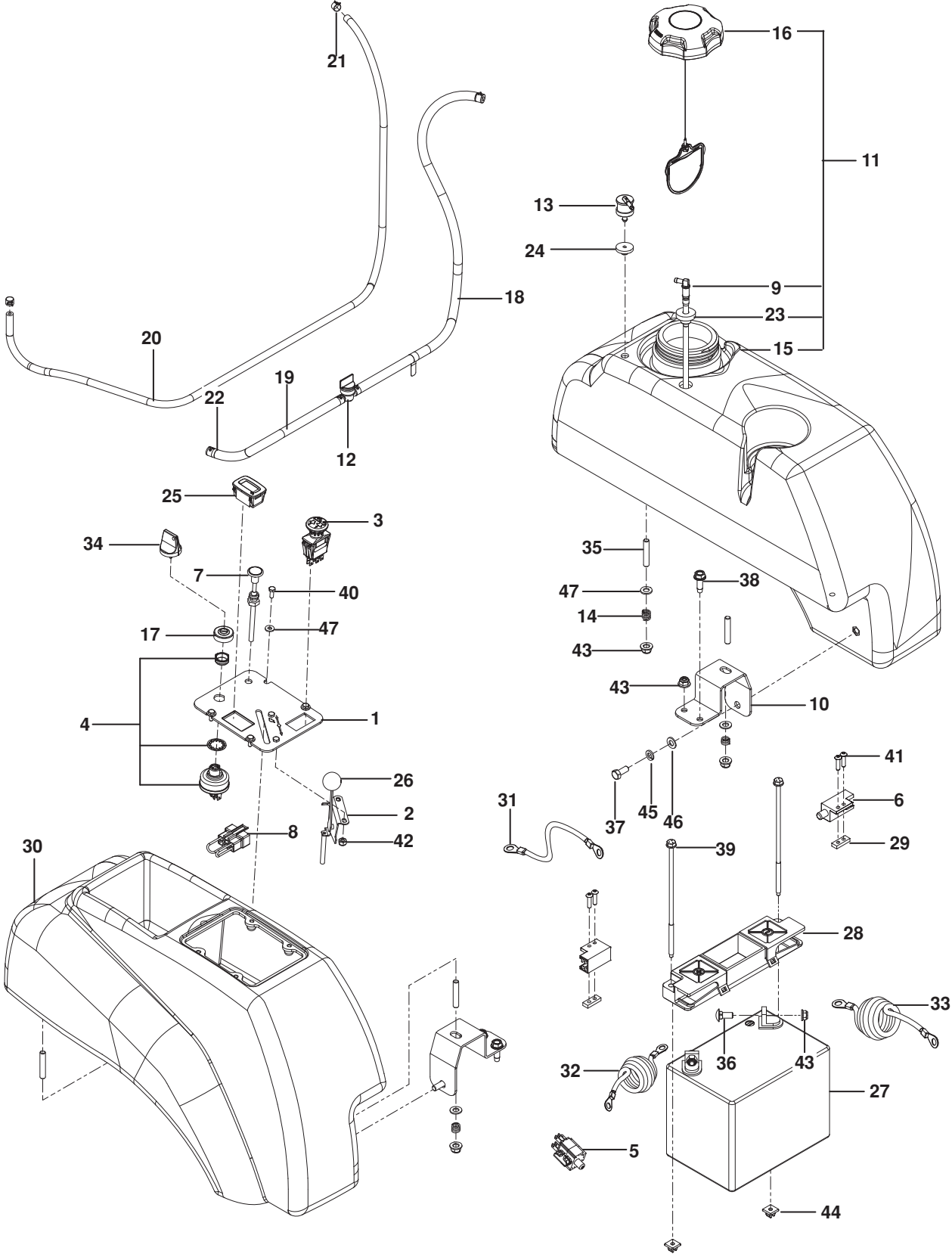
STEERING



STEERING

ITEM	PART NO.	QTY.	DESCRIPTION	ITEM	PART NO.	QTY.	DESCRIPTION
1..	539 132009....	1	LEVER w/ GRIP RT	16..	539 116690....	2	ROD END LT
2..	539 132010....	1	LEVER w/ GRIP LT	17..	539 115729....	2	ROD END RT
3..	539 130894....	2	GRIP, FOAM	18..	539 990627....	5	HCS $\frac{5}{16}$ -18 x $1\frac{1}{4}$
4..	577 251701....	2	BRACKET, CONTROL	19..	539 101332....	2	HCS $\frac{1}{2}$ -13 x $2\frac{3}{4}$
5..	539 131518....	4	BEARING, FLANGE	20..	539 976935....	4	HCS $\frac{5}{16}$ -18 x $1\frac{1}{2}$
6..	576 140301....	2	LEVER, CONTROL	21..	576 850402....	2	SCREW $\frac{5}{16}$ -18 X $1\frac{3}{4}$ BTN HD
7..	577 420001....	2	LEVER, HANDLE	22..	525 464701....	8	HHFS $\frac{5}{16}$ -18 X $\frac{3}{4}$
8..	577 252401....	2	SPACER, PIVOT CONTROL	23..	525 544001....	4	HHFS $\frac{5}{16}$ -18 x $1\frac{1}{4}$ TPBLT
9..	539 102720....	2	DAMPENER	24..	539 990223....	4	NUT $\frac{5}{16}$ -24 HEX
10..	577 251801 ...	2	BLOCK, TRACKING	25..	539 108010....	2	NUT $\frac{1}{2}$ -13 HEX JAM NYL GR2
11..	539 102845....	1	SPRING	26..	539 991073....	2	NUT $\frac{5}{16}$ -24 HEX JAM LH
12..	576 850301....	1	SPRING	27..	539 112899..	10	NUT $\frac{5}{16}$ -18 HEX FLG NYLOC
13..	539 131799....	1	KNOB	28..	539 990717....	6	NUT $\frac{5}{16}$ -18 HEX NYLOC
14..	574 811401....	2	ROD, MOTION CONTROL	29..	539 990585....	4	NUT $\frac{5}{16}$ -18 HEX WHIZLK
15..	539 116689....	2	COUPLER, ROD END	30..	539 990188..	12	WASHER $\frac{5}{16}$ SAE FLT

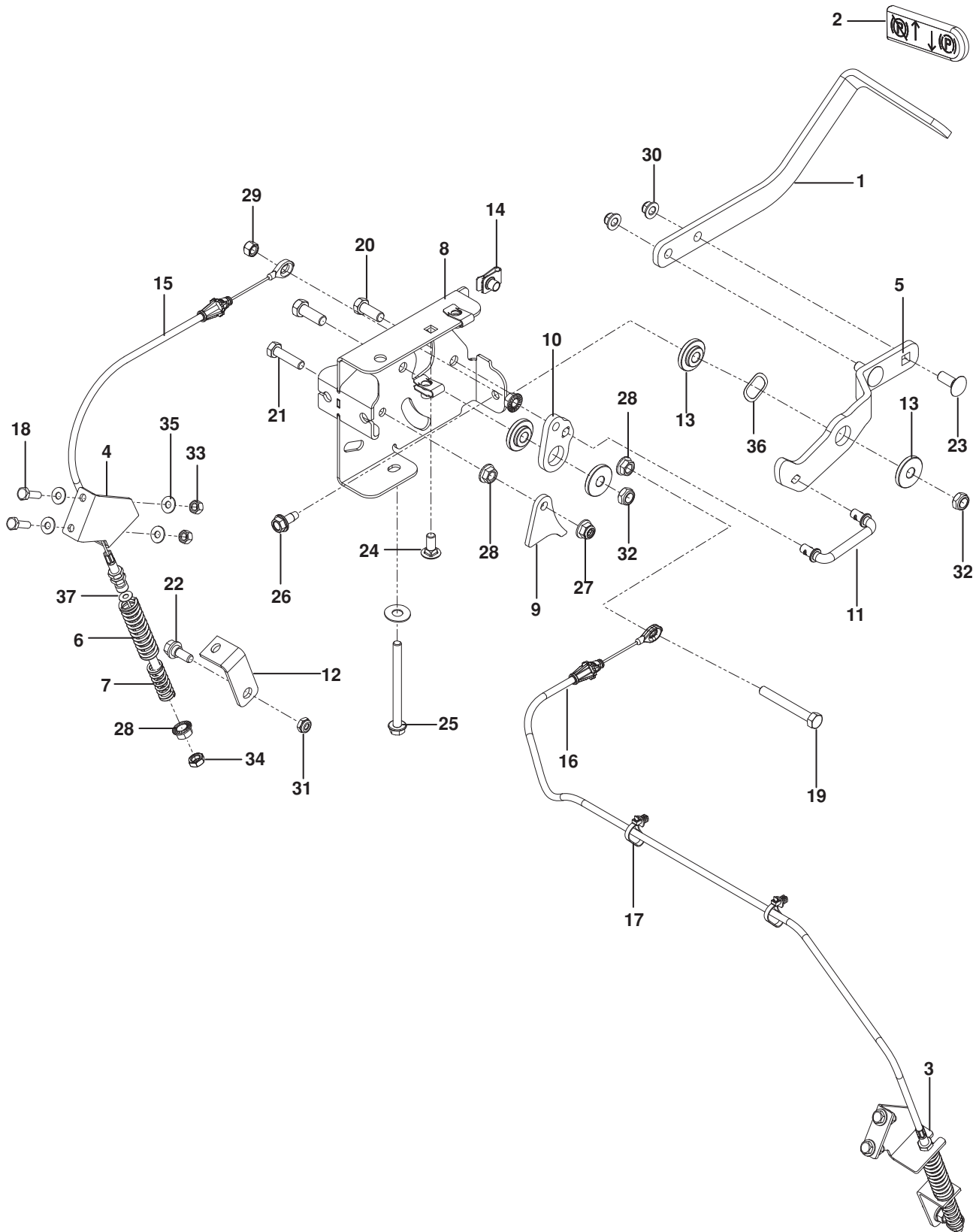
IGNITION



IGNITION

ITEM	PART NO.	QTY.	DESCRIPTION	ITEM	PART NO.	QTY.	DESCRIPTION
1..	574 841204....	1 PLATE, CONSOLE, BLK	26..	539 133049....	1 KNOB
2..	539 112438....	1 CABLE, THROTTLE	27..	539 102436....	1 BATTERY
3..	539 131627....	1 SWITCH, PTO 10 AMP	28..	539 107628....	1 BATTERY HOLD DOWN
4..	574 455401....	1 SWITCH, IGNITION	29..	539 102678....	2 PLATE, TAPPED
5..	539 113792....	1 SWITCH, BRAKE	30..	539 107593....	1 CONSOLE, RT
6..	532 109553....	2 SWITCH, INTERLOCK	31..	539 104974....	1 CABLE, POSITIVE 31"
7..	574 206903....	1 CHOKE CONTROL	32..	539 102757....	1 CABLE, POSITIVE 8"
8..	575 321001....	1 PLUG, TIMER	33..	539 107645....	1 CABLE, NEGATIVE 32"
9..	576 469201....	1 FITTING, FUEL	34..	574 455501....	1 KEY, IGNITION
10..	539 131671....	2 SUPPORT, TANK, BLK	35..	539 102502....	6 STUD $\frac{5}{16}$ -18
11..	576 368102....	1 TANK ASSY LT	36..	539 990316....	2 RHSNB $\frac{5}{16}$ -18 x $\frac{3}{4}$
12..	539 916325....	1 VALVE, FUEL	37..	539 976934....	2 HCS $\frac{5}{16}$ -18 x $\frac{3}{4}$
13..	576 618101....	1 VALVE, FUEL CHECK	38..	539 113226....	3 BOLT $\frac{5}{16}$ -18 x 1 THD FRM
14..	539 102845....	6 SPRING	39..	539 107632....	2 BOLT $\frac{1}{4}$ x $7\frac{1}{2}$
15..	576 368101....	1 TANK, FUEL LT	40..	539 990411....	6 SCREW #10-24 x $\frac{1}{2}$ SLT
16..	575 018101....	1 FUEL CAP w /TETHER	41..	574 822701....	4 SCREW #10-24 x $\frac{3}{4}$ SKT HD
17..	539 103178....	1 CAP, IGNITION SWITCH NUT	42..	539 976977....	2 NUT #10-24 NYLOC
18..	539 107765....	1 HOSE, FUEL 26"	43..	539 112899..	12 NUT $\frac{5}{16}$ -18 HEX FLANGE NYL
19..	539 932956....	1 HOSE, FUEL 10"	44..	539 107629....	2 NUT $\frac{1}{4}$ PUSH NYLON
20..	576 660602....	1 HOSE $\frac{3}{16}$ VAPOR 48"	45..	539 990187....	2 WASHER $\frac{5}{16}$ SLW
21..	575 436501....	2 CLAMP, HOSE	46..	539 990188....	8 WASHER $\frac{5}{16}$ SAE
22..	539 912222....	4 CLAMP, HOSE	47..	539 105408....	4 WASHER #10
23..	539 105245....	1 GROMMET, RUBBER	NOT SHOWN			
24..	576 618201....	1 GROMMET, CHECK VALVE	575 320901 ...	1 HARNESS, MAIN	
25..	532 401763....	1 HOUR METER	539 976856 ...	8 WIRE TIE	

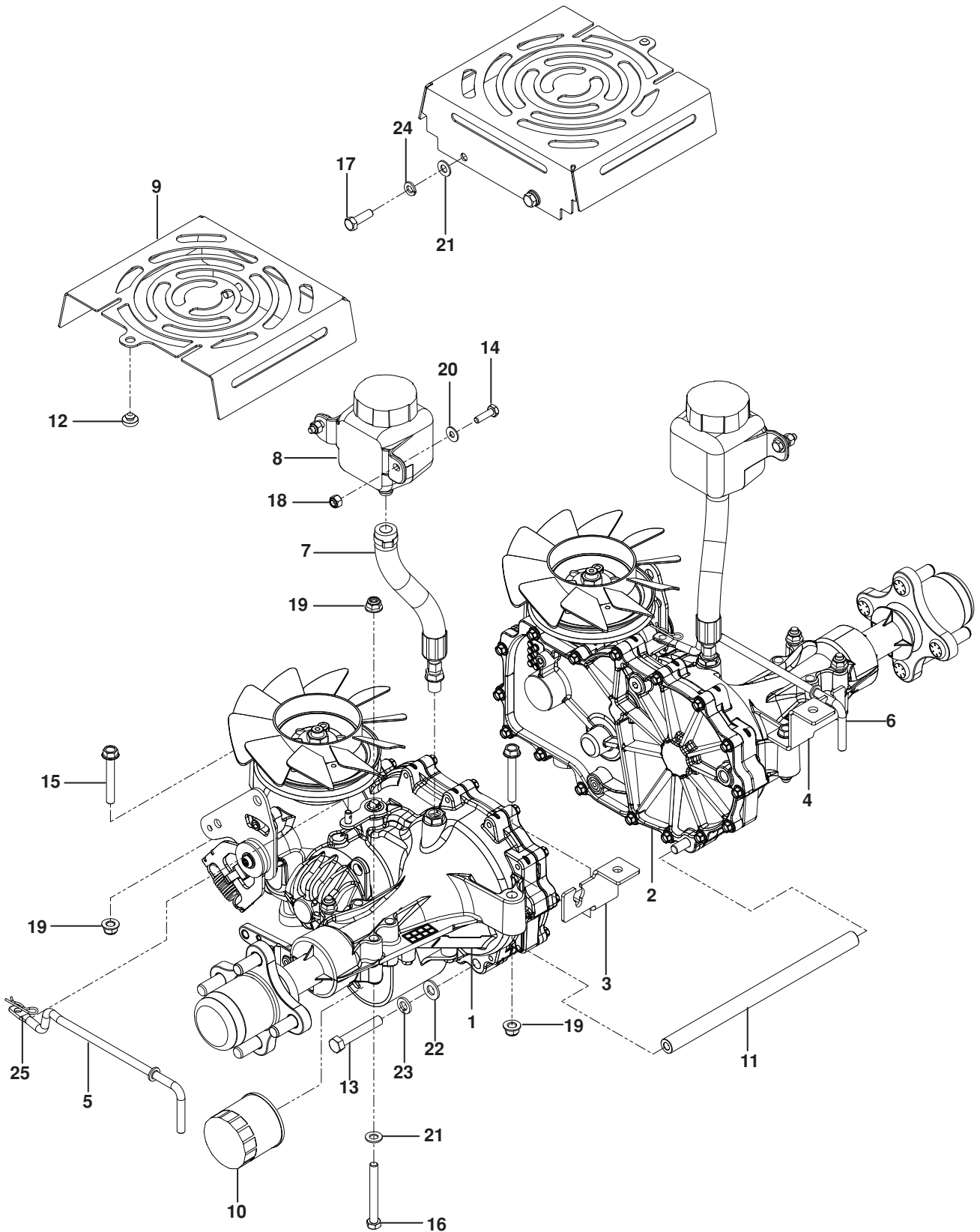
PARKING BRAKE



PARKING BRAKE

ITEM	PART NO.	QTY.	DESCRIPTION	ITEM	PART NO.	QTY.	DESCRIPTION
1..	539 132151....	1	ARM, BRAKE	20..	539 990563....	2	HCS $\frac{3}{8}$ -16 x 1
2..	539 105036....	1	GRIP, BRAKE HANDLE	21..	539 990209....	1	HCS $\frac{5}{16}$ -18 x 1
3..	575 229602....	1	BRACKET, RT BLK	22..	539 110303....	2	BOLT $\frac{5}{16}$ SHOULDER
4..	575 229702....	1	BRACKET, LT BLK	23..	539 990645....	2	RHSNB $\frac{3}{8}$ -16 x 1
5..	539 132423....	1	LEVER, BRAKE	24..	539 990316....	1	RHSNB $\frac{5}{16}$ -18 x $\frac{3}{4}$
6..	575 230201....	2	SPRING, RETURN	25..	539 131780....	1	HHFS $\frac{5}{16}$ -18 x $3\frac{3}{4}$
7..	575 230301....	2	SPRING, ENGAGEMENT	26..	539 107475....	1	BOLT $\frac{5}{16}$ -18 x $\frac{3}{4}$ THD FRM
8..	539 132158....	1	MOUNT, BRAKE	27..	539 112899....	4	NUT $\frac{5}{16}$ -18 FLANGE NYLOC
9..	539 132154....	1	ACTUATOR, SWITCH	28..	539 990585....	5	NUT $\frac{5}{16}$ -18 HEX WHIZLK
10..	539 132153....	1	BELLCRANK, BRAKE	29..	539 990717....	1	NUT $\frac{5}{16}$ -18 HEX NYLOC
11..	539 132424....	1	LINKAGE, BRAKE	30..	521 996501....	2	NUT $\frac{3}{8}$ -16 HEX FLG NYLOC
12..	575 229802....	2	BRACKET, BRAKE	31..	539 115617....	2	NUT $\frac{5}{16}$ HEX NYLOC
13..	539 132161....	4	BUSHING, BRAKE	32..	539 200282....	2	NUT $\frac{3}{8}$ -16 HEX JAM NYLOC
14..	539 104763....	3	RETAINER, U TYPE $\frac{5}{16}$ -18	33..	539 976978....	4	NUT $\frac{1}{4}$ -20 HEX NYLOC
15..	539 132173....	1	CABLE, BRAKE SHORT	34..	539 107897....	2	NUT $\frac{5}{16}$ -18 HEX JAM
16..	539 132174....	2	CABLE, BRAKE LONG	35..	539 990055....	8	WASHER $\frac{1}{4}$ SAE FLT
17..	505 280001....	2	TIE w/ CLIP	36..	539 133007....	1	WASHER .825 WAVE
18..	539 990643....	4	HCS $\frac{1}{4}$ -20 x $\frac{7}{8}$	37..	539 990122....	2	WASHER $\frac{3}{8}$ SAE
19..	539 108396....	1	HCS $\frac{5}{16}$ -18 x $2\frac{1}{2}$ TPBLT	38..	539 109554....	1	WASHER $\frac{1}{2}$ FLT

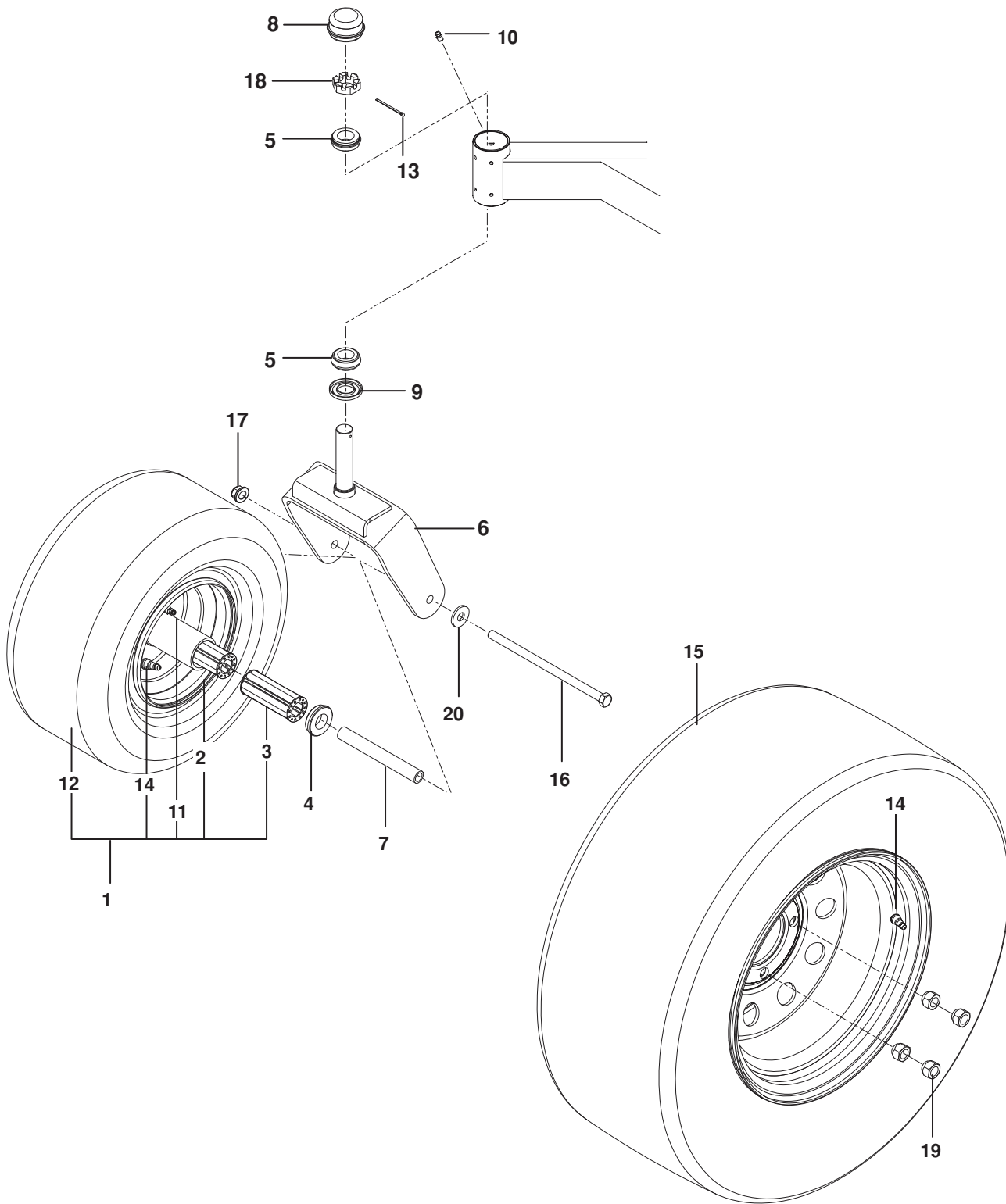
HYDRAULIC PUMP-MOTOR



HYDRAULIC PUMP-MOTOR

ITEM	PART NO.	QTY.	DESCRIPTION	ITEM	PART NO.	QTY.	DESCRIPTION
1..	574 569101....	1 TRANS, ZT-3400, LT	15..	574 233801....	4 HHFS ⁵ / ₁₆ -18 x 2 ¹ / ₄
2..	574 569102....	1 TRANS, ZT-3400, RT	16..	539 101721....	4 HCS ⁵ / ₁₆ -18 x 2 ³ / ₄
3..	575 017102....	1 BRACKET, TRANS, LT BLK	17..	539 990209....	4 HCS ⁵ / ₁₆ -18 x 1
4..	575 017002....	1 BRACKET, TRANS, RT BLK	18..	539 976978....	4 NUT ¹ / ₄ -20 HEX NYLOC
5..	539 131616....	1 LINKAGE, LEFT BYPASS	19..	539 112899....	8 NUT ⁵ / ₁₆ -18 HEX FLANGE NYL
6..	539 131618....	1 LINKAGE, RIGHT BYPASS	20..	539 990055....	4 WASHER ¹ / ₄ FLAT SAE
7..	574 892101....	2 HOSE, EXPANSION	21..	539 990188....	8 WASHER ⁵ / ₁₆ SAE FLAT
8..	574 811301....	2 TANK, EXPANSION	22..	539 990122....	2 WASHER ³ / ₈ SAE FLT
9..	575 778202....	2 COVER, FAN	23..	539 990118....	2 WASHER ³ / ₈ SPLT LK
10..	539 113466....	2 FILTER, HYDRO	24..	539 990187....	4 WASHER ⁵ / ₁₆ SLW
11..	574 868501....	1 TUBE, SPACER	25..	539 976988....	2 HAIRPIN COTTER
12..	539 102587....	2 GROMMET, BUMPER				NOT SHOWN
13..	539 108551....	2 HCS ³ / ₈ -16 x 2 ¹ / ₂ GR8		580 906201 ...	1 SPACER, WHEEL
14..	539 990643....	4 HCS ¹ / ₄ -20 x ⁷ / ₈				

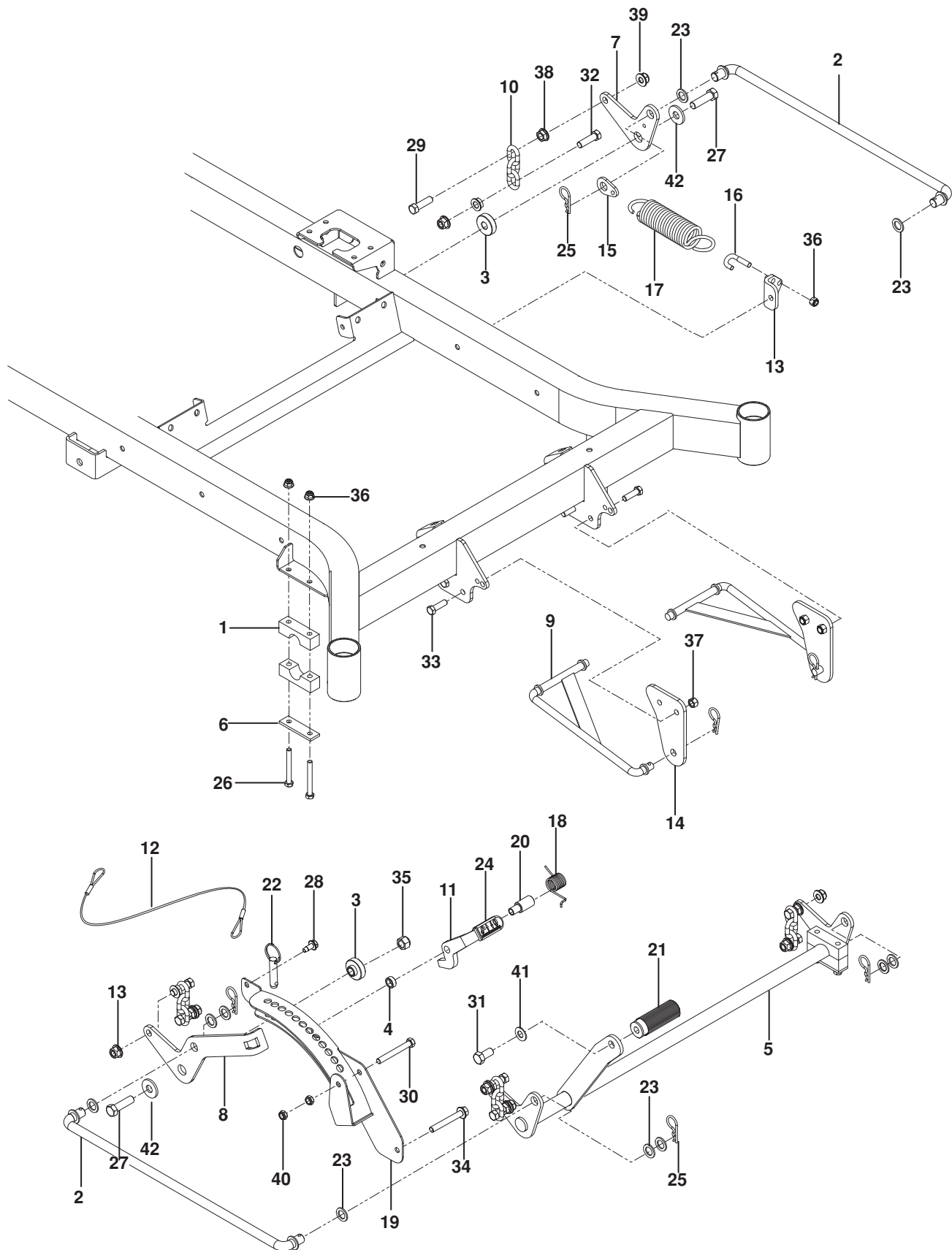
WHEELS



WHEELS

ITEM	PART NO.	QTY.	DESCRIPTION	ITEM	PART NO.	QTY.	DESCRIPTION
1..	575 348701....	2	TIRE ASSY, CASTER	11..	539 103300....	2	ZERK ¼ -28 ANGLED
2..	575 622101....	2	RIM 6 x 4.50 CASTER	12..	575 622201....	2	TIRE, 13 x 6.50
3..	539 105307....	4	BEARING, ROLLER	13..	539 102889....	2	COTTER PIN 1/8 x 2
4..	539 102484....	4	BEARING, FLANGE	14..	539 912234....	4	VALVE STEM
5..	539 102543....	4	BEARING	15..	521 964101....	2	TIRE ASSY, REAR
6..	575 329203....	2	YOKE, CASTER, BLUE	16..	539 105517....	2	HCS ½-13 x 9½
7..	575 334901....	2	SPACER, PIVOT	17..	521 991101....	2	NUT ½-13 HEX FLANGE NYL
8..	539 102535....	2	GREASE CAP	18..	539 102852....	2	NUT, SLOTTED JAM
9..	539 102851....	2	SEAL	19..	539 101173....	8	NUT ½ HEX LUG
10..	539 101474....	2	ZERK	20..	539 109554....	2	WASHER ½ FLAT

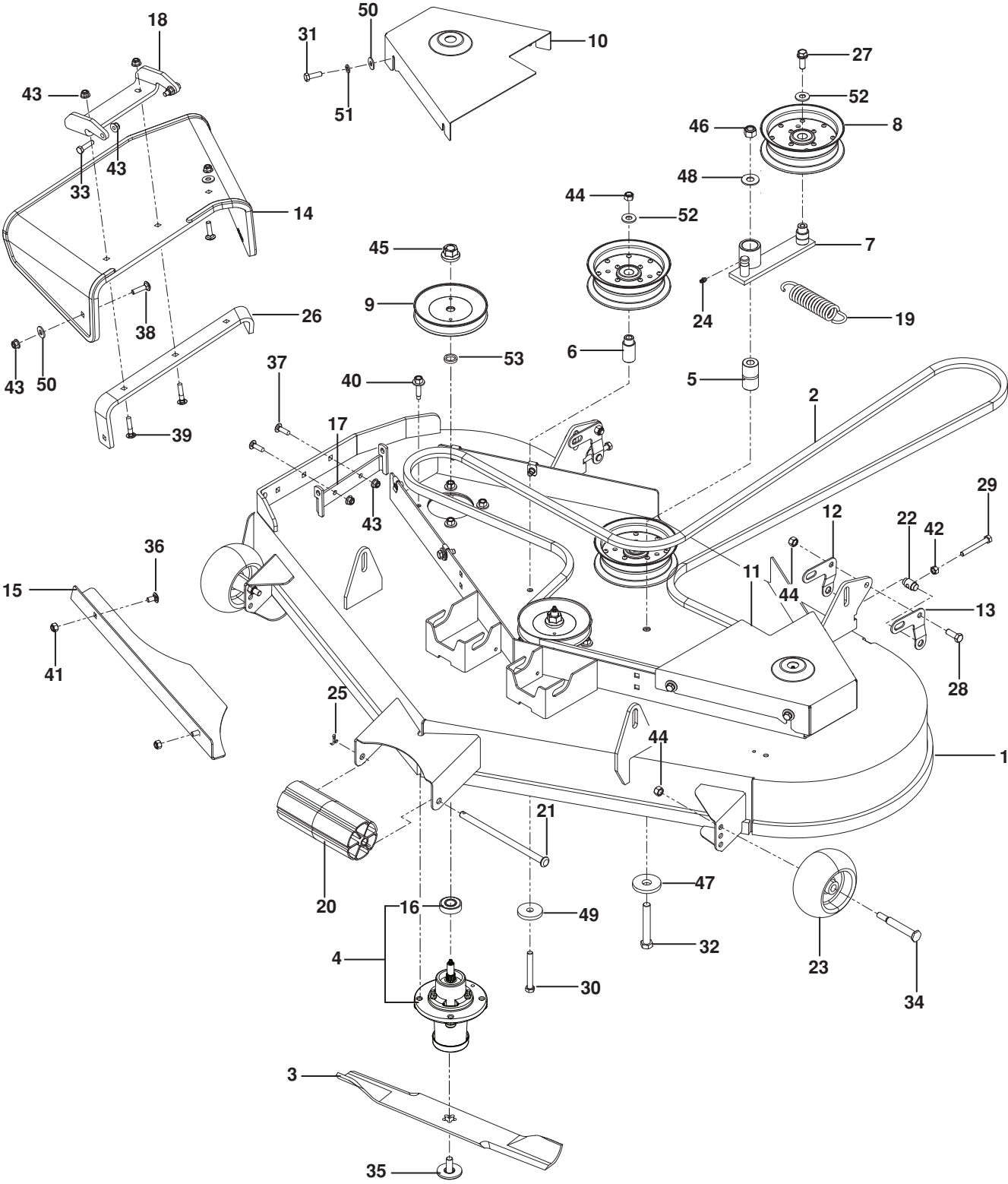
MOWER LIFT / DECK LIFT



MOWER LIFT / DECK LIFT

ITEM	PART NO.	QTY.	DESCRIPTION	ITEM	PART NO.	QTY.	DESCRIPTION
1..	539 104808....4	PILLOW BLOCK	22..	539 132182....1	PIN ½ x 1½ DETENT RING
2..	539 110808....2	LINK, DECK LIFT	23..	539 991043..10	BUSHING .625
3..	539 118937....2	SPACER, IDLER	24..	539 132851....1	GRIP
4..	539 131861....1	SPACER	25..	539 115501....6	PIN, COTTER 1¾
5..	581 215202....1	SHAFT, FRONT LIFT BLK	26..	539 101721....4	HCS 5/16-18 x 2¾
6..	539 104807....2	REINFORCEMENT BAR	27..	539 108181....2	HCS ½-13 x 1¾ GR 8
7..	539 131897....1	BELLCRANK, RR, LIFT BLK	28..	539 107475....1	BOLT 5/16-18 x ¾ THD FRM
8..	539 131853....1	BELLCRANK, RR, RT BLK	29..	539 101175....4	HCS 7/16-14 x 1½
9..	539 112223....2	LINKAGE, STRUT	30..	539 101341....1	HCS 3/8-16 x 3
10..	539 109693....4	LIFT CHAIN-3 LINK	31..	539 990646....1	HCS ½-13 x 1¾
11..	539 131566....1	LATCH, TRANSPORT	32..	539 108073....4	HCS 7/16-14 x 1¾
12..	539 105059....1	LANYARD	33..	539 976941....4	HCS 3/8-16 X 1¼
13..	539 131791....1	MOUNT, SPRING	34..	539 131781....1	HHFS 3/8-16 x 2¾
14..	539 132017....2	MOUNT, STRUT	35..	539 101331....2	NUT ½ HEX NYLOC
15..	539 131792....1	TAB, SPRING	36..	539 112899....5	NUT 5/16-18 HEX FLG NYLOC
16..	539 112896....1	J-BOLT	37..	539 976979....4	NUT 3/8-16 HEX NYLOC
17..	539 102642....1	SPRING	38..	539 102582....8	NUT 7/16-14 HEX WHIZ LK
18..	539 132734....1	SPRING, TORSION	39..	539 132019....8	NUT 7/16-14 HEX WHIZ LK
19..	539 131850....1	HEIGHT ADJUST, DECK	40..	539 200282....2	NUT 3/8-16 HEX JAM NYLOC
20..	539 131860....1	PIVOT LATCH, TRANSPORT	41..	539 102843....1	WASHER 7/16 SPRING
21..	510 408301....1	PEDAL, FOOT	42..	539 109554....2	WASHER ½ FLT

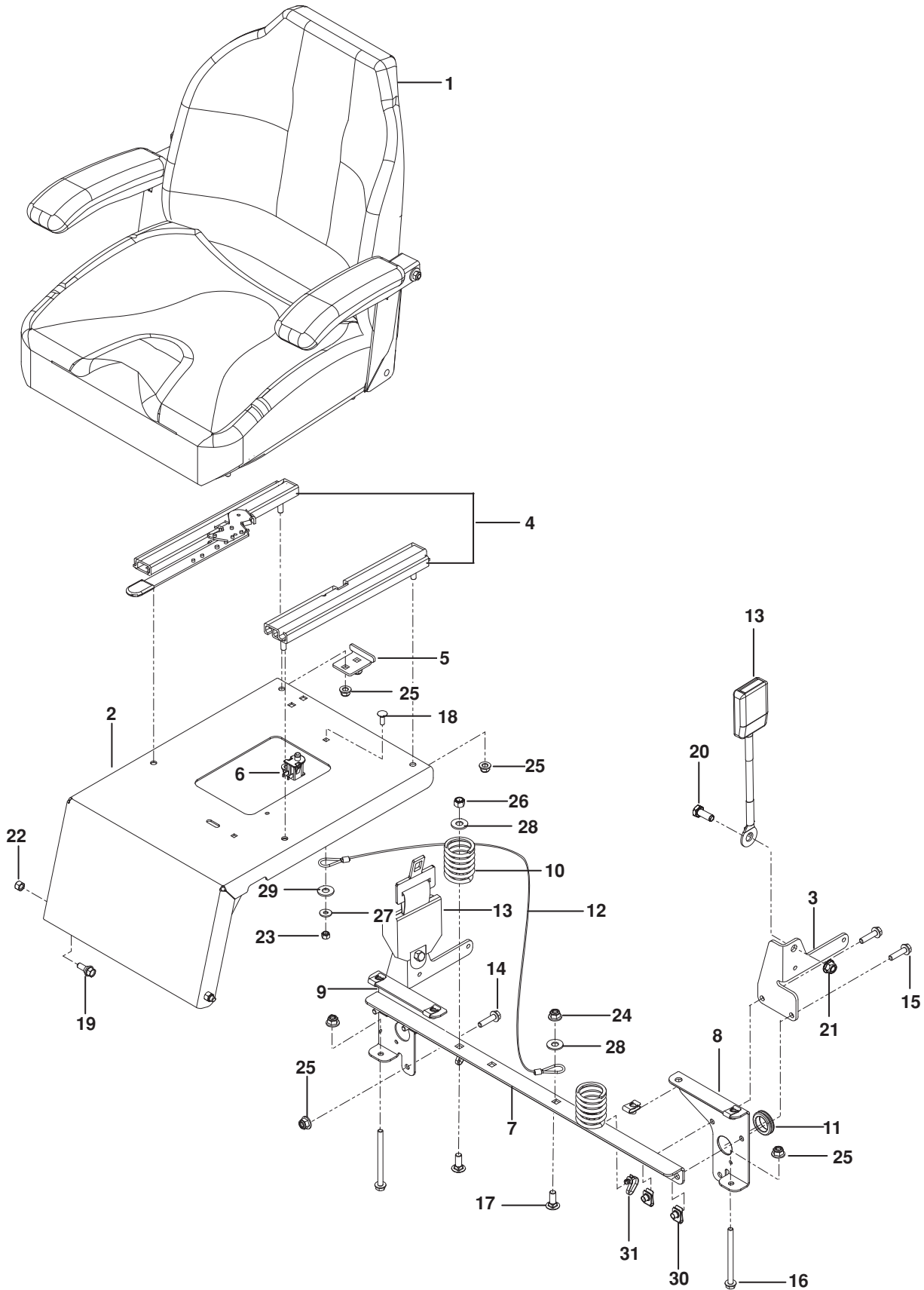
MOWER DECK / CUTTING DECK



MOWER DECK / CUTTING DECK

ITEM	PART NO.	QTY.	DESCRIPTION	ITEM	PART NO.	QTY.	DESCRIPTION
1..	581 505301....	1 DECK w/ SAFETY DECALS	28..	539 990563....	2 HCS $\frac{3}{8}$ -16 x 1
2..	522 811301....	1 BELT, DECK	29..	539 108396....	2 HCS $\frac{5}{16}$ -18 x 2 $\frac{1}{2}$ TPBLT
3..	539 112079....	3 BLADE, 18"	30..	539 101341....	2 HCS $\frac{3}{8}$ -16 x 3
4..	539 131898....	3 HOUSING ASSY	31..	539 990209....	8 HCS $\frac{5}{16}$ -18 x 1
5..	539 103427....	1 BUSHING, PIVOT	32..	539 103433....	1 HCS $\frac{1}{2}$ -13 x 3 $\frac{1}{4}$
6..	539 112169....	2 BUSHING, IDLER	33..	539 990627....	2 HCS $\frac{5}{16}$ -18 x 1 $\frac{1}{4}$
7..	539 112198....	1 ARM, IDLER	34..	539 107608....	2 BOLT $\frac{3}{8}$ -16 x 3 $\frac{3}{8}$ SHOULDER
8..	539 132728....	3 PULLEY, IDLER	35..	532 193003....	3 BOLT $\frac{7}{16}$ BLADE
9..	532 173436....	3 PULLEY	36..	539 990799....	2 RHSNB $\frac{5}{16}$ -18 x $\frac{5}{8}$
10..	539 112242....	1 BELT SHIELD, RT ORG	37..	539 107271....	2 RHSNB $\frac{5}{16}$ -18 x 1
11..	539 112244....	1 BELT SHIELD, LT ORG	38..	539 100472....	2 RHSNB $\frac{5}{16}$ -18 x 1 $\frac{1}{4}$
12..	539 131857....	2 PITCH, ADJUST, RT	39..	539 102933....	2 RHSNB $\frac{5}{16}$ -18 x 1 $\frac{1}{2}$
13..	539 131858....	2 PITCH, ADJUST, LT	40..	539 107630..	12 SCREW $\frac{5}{16}$ -18 WSH HD
14..	539 130901....	1 CHUTE, DISCHARGE	41..	539 990717....	2 NUT $\frac{5}{16}$ -18 HEX NYLOC
15..	539 112417....	1 PLATE, CONFINEMENT	42..	539 990196....	2 NUT $\frac{5}{16}$ -18 HEX
16..	539 112050....	3 BEARING, BALL	43..	539 112899....	8 NUT $\frac{5}{16}$ -18 HEX FLG NYLOC
17..	581 606002....	1 BRACKET ORG	44..	539 976979....	6 NUT $\frac{3}{8}$ -16 HEX NYLOC
18..	539 130917....	1 BRACKET	45..	539 107590....	3 NUT $\frac{9}{16}$ TOP CENTER LOCK
19..	539 110735....	1 SPRING, TORSION	46..	539 101331....	1 NUT $\frac{1}{2}$ HEX NYLOC
20..	532 176066....	1 ROLLER, NOSE	47..	539 102243....	1 WASHER, SUPPORT
21..	532 179127....	1 ROD, ROLLER, NOSE	48..	539 990550....	1 WASHER $\frac{1}{2}$ STD FLT
22..	539 131859....	2 TRUNION, PITCH	49..	539 106504....	2 WASHER, HEAVY
23..	539 107610....	2 WHEEL, GAUGE	50..	539 990692..	11 WASHER $\frac{5}{16}$ STD FLT
24..	539 976998....	1 ZERK	51..	539 990187....	8 WASHER $\frac{5}{16}$ SLW
25..	539 990365....	2 PIN $\frac{1}{8}$ x $\frac{3}{4}$ COTTER	52..	539 990517....	2 WASHER $\frac{3}{8}$ STD FLT
26..	539 130920....	1 REINFORCEMENT, BRKT	53..	539 107520....	3 WASHER-SPACER
27..	539 990582....	1 HCS $\frac{3}{8}$ -16 x 1 WHIZLK				

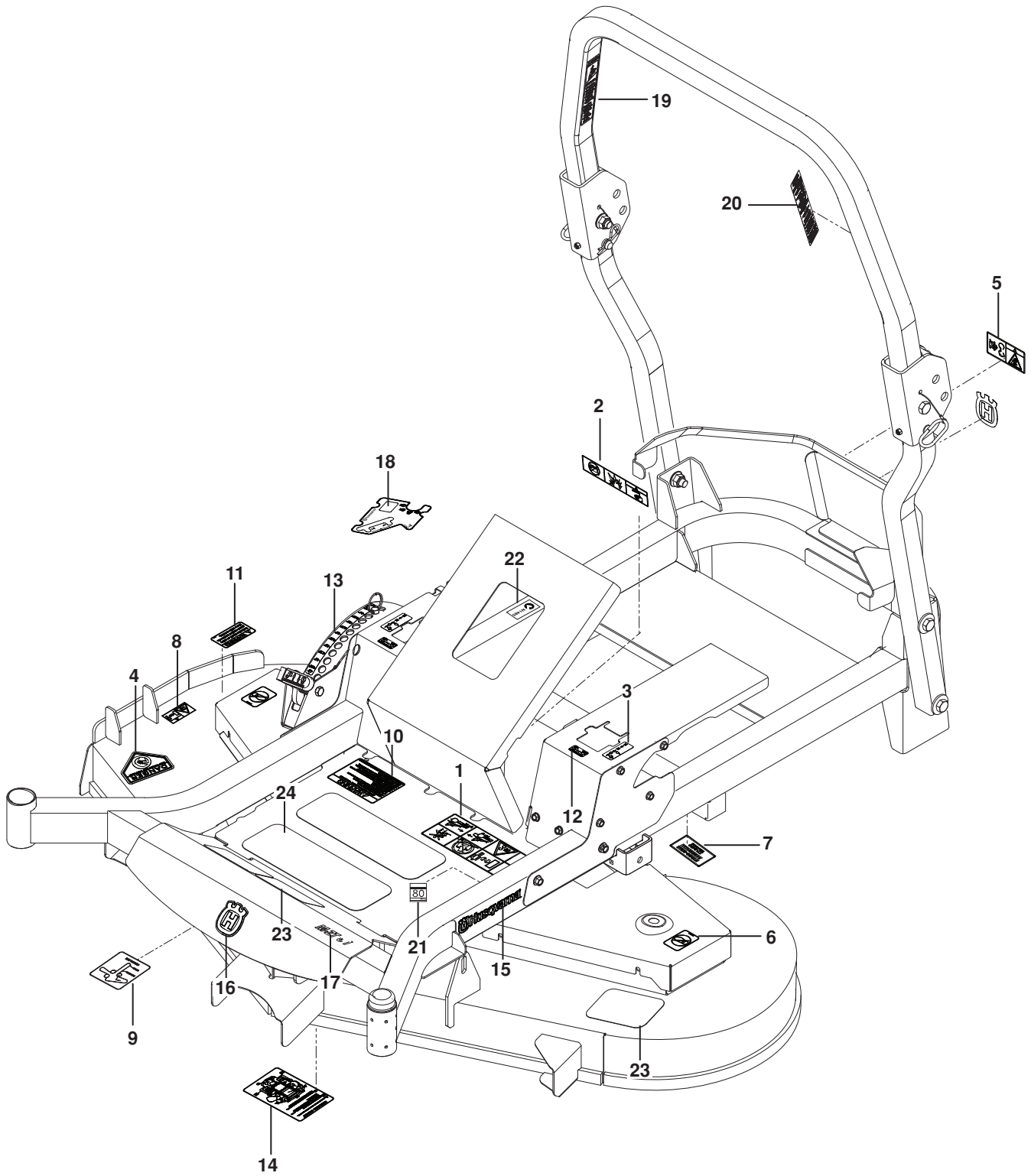
SEAT



SEAT

ITEM	PART NO.	QTY.	DESCRIPTION	ITEM	PART NO.	QTY.	DESCRIPTION
1..	576 702001....	1 SEAT ASSY	16..	539 131780....	2 HHFS $\frac{5}{16}$ -18 x $3\frac{3}{4}$
2..	575 608601....	1 MOUNT, w/ SAFETY DECAL	17..	539 990645....	3 RHSNB $\frac{3}{8}$ -16 x 1
3..	575 017402....	2 MOUNT, SEAT BELT	18..	539 990074....	1 RHSNB $\frac{1}{4}$ -20 x $\frac{3}{4}$
4..	576 702004....	1 ADJUSTMENT TRACK ASSY	19..	539 130896....	2 BOLT $\frac{5}{16}$ -18 SHOULDER
5..	539 130793....	1 DECK STOP	20..	539 124775....	2 HHB $\frac{7}{16}$ -20 x 1
6..	539 119741....	1 SWITCH, SEAT	21..	539 990394....	2 NUT $\frac{7}{16}$ -20 HEX LK
7..	539 131656....	1 SUPPORT, SEAT BLK	22..	539 990717....	2 NUT $\frac{5}{16}$ -18 HEX NYLOC
8..	575 224002....	1 SUPPORT, RT BLK	23..	539 976978....	1 NUT $\frac{1}{4}$ -20 HEX NYLOC
9..	575 224102....	1 SUPPORT, LT BLK	24..	521 996501....	1 NUT $\frac{3}{8}$ -16 FLG HEX NYLOC
10..	539 110300....	2 SPRING, SEAT BLK	25..	539 112899..	10 NUT $\frac{5}{16}$ -18 FLG HEX NYLOC
11..	539 105974....	1 GROMMET RUBBER	26..	539 976979....	2 NUT $\frac{3}{8}$ -16 HEX NYLOC
12..	539 103247....	1 LANYARD, SEAT	27..	539 990598....	1 WASHER $\frac{1}{4}$ FLAT
13..	539 130359....	1 SEAT BELT ASSY	28..	539 990517....	4 WASHER $\frac{3}{8}$ FLAT STD
14..	525 464701....	2 HHFS $\frac{5}{16}$ -18 x $\frac{3}{4}$	29..	539 104763....	8 RETAINER, U TYPE $\frac{5}{16}$ -18
15..	525 544001....	4 HHFS $\frac{5}{16}$ -18 x $1\frac{1}{4}$ TPBLT	30..	505 280001....	2 TIE WRAP w/ CLIP

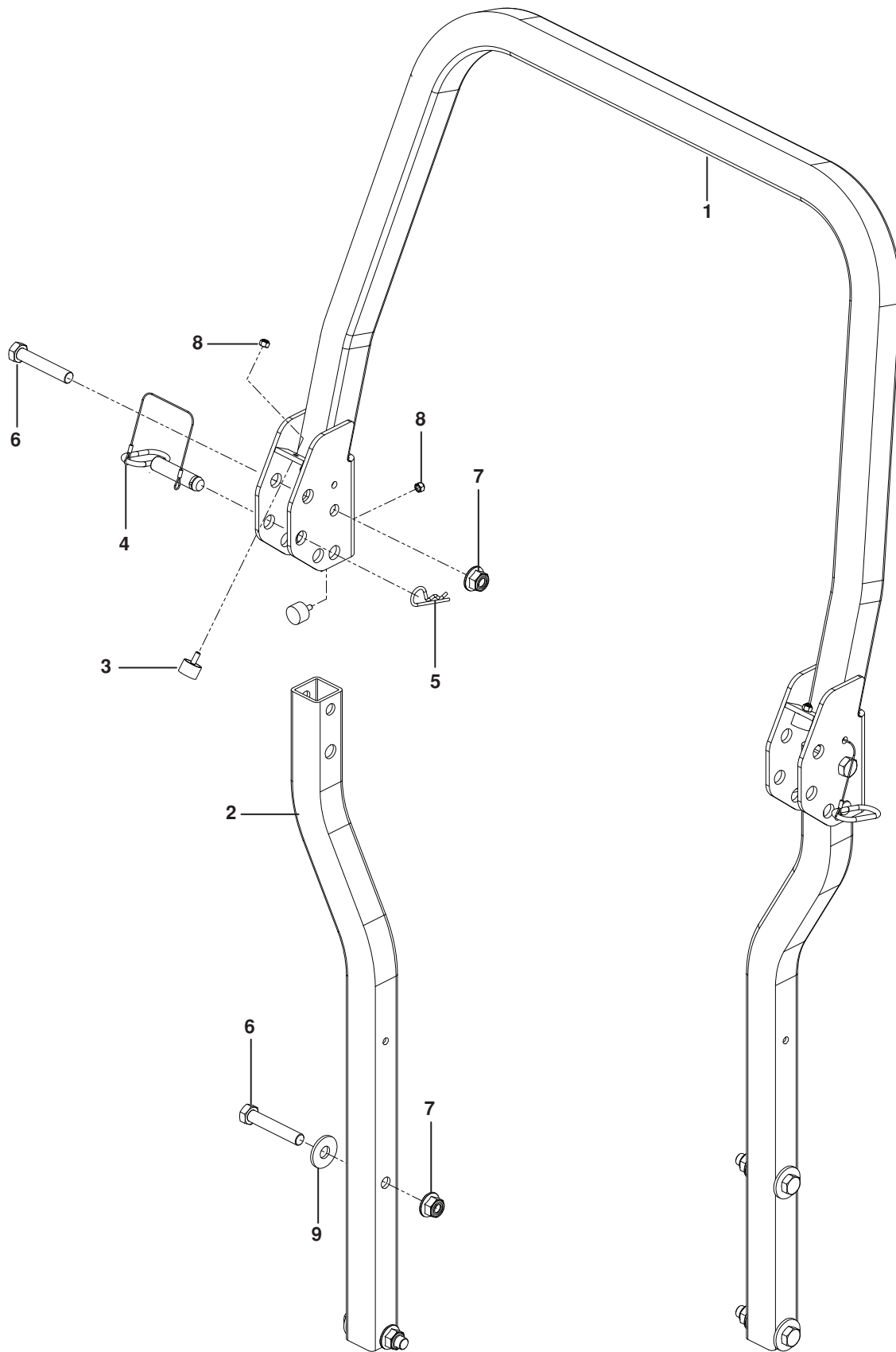
DECALS



DECALS

ITEM	PART NO.	QTY.	DESCRIPTION	ITEM	PART NO.	QTY.	DESCRIPTION
1..	539 107959	...1	...DECAL, WARNING	13..	539 132039	...1	...DECAL, HEIGHT ADJUST
2..	539 105745	...1	...DECAL, BATTERY WARNING	14..	539 132187	...1	...DECAL, SERVICE
3..	539 103333	...2	...DECAL, MOTION CONTROL	15..	532 429196	...2DECAL, HUSQVARNA
4..	539 913010	...1	...DECAL, BLADE WARNING	16..	532 428676	...2DECAL, CROWN H
5..	539 105744	...1	...DECAL, DANGER BLT DRIVE	17..	581 5136011DECAL, M-ZT52
6..	539 105743	...2	...DECAL, NO STEP	18..	574 8411031DECAL, CONSOLE
7..	574 8155011DECAL, HYDROGEAR	19..	574 5690021DECAL, ROPS, WARNING
8..	539 105746	...1	...DECAL, SEVERING	20..	574 5690051DECAL.ROPS
9..	539 112620	...1	...DECAL, BELT ROUTING	21..	532 1244331DECAL, DBA
10..	539 113213	...1	...DECAL, WARNING	22..	539 1102791DECAL, ECM
11..	539 113224	...1	...DECAL, DEFLECTOR	23..	532 1213223PAD, ABRASIVE SM
12..	539 110974	...2	...DECAL, TRACKING	24..	539 9777782PAD, ABRASIVE LG

PROTECTION FRAME

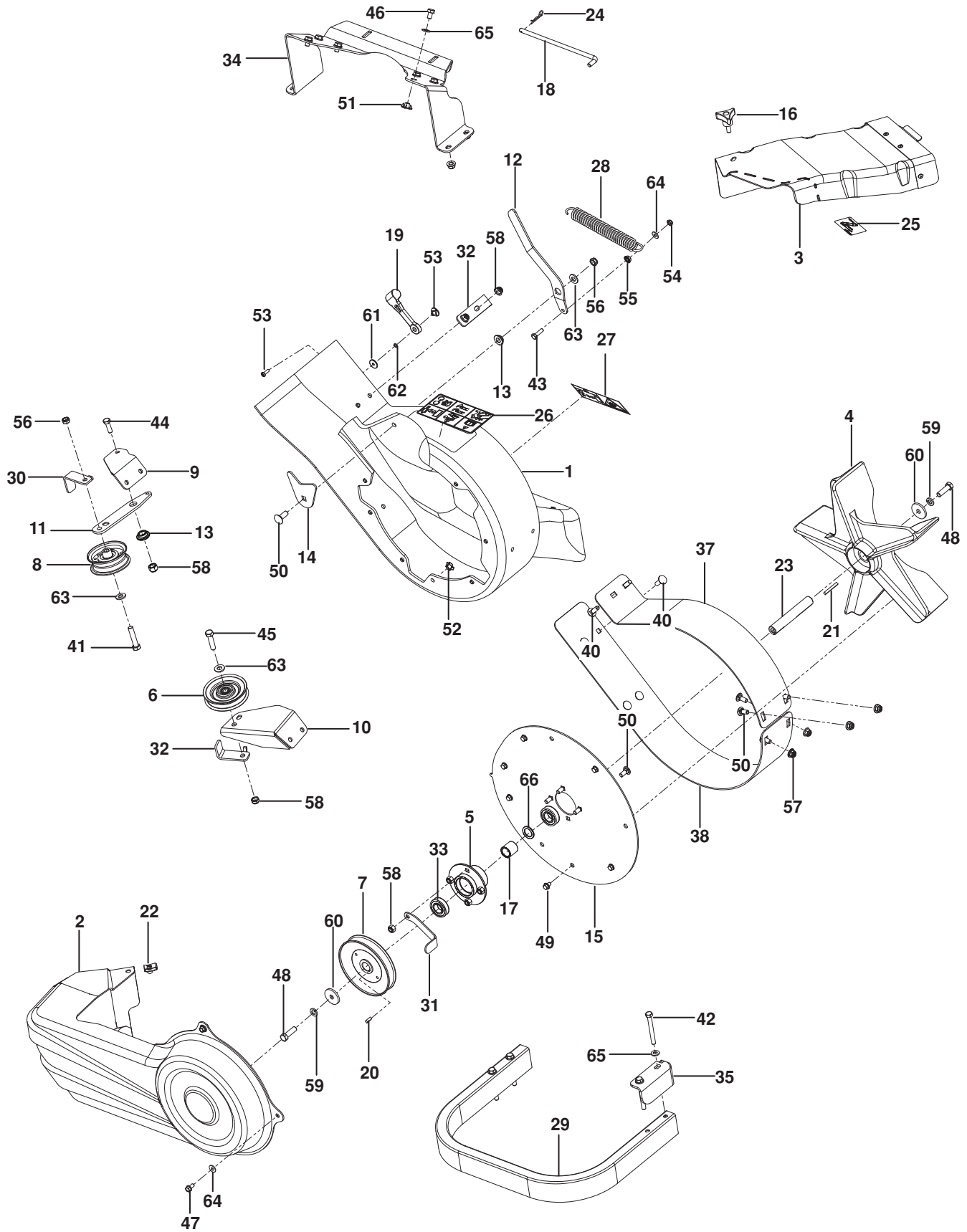


PROTECTION FRAME

ITEM	PART NO.	QTY.	DESCRIPTION	ITEM	PART NO.	QTY.	DESCRIPTION
1..	575 379102....	1 ROPS, TOP, GRAY	6..	580 754601....	6 HCS $\frac{5}{8}$ -11 x 3 $\frac{1}{2}$
2..	574 330902....	2 TUBE, SIDE GRAY	7..	525 829101....	6 NUT $\frac{5}{8}$ -11 FLG NYLOC
3..	522 801401....	4 BUMPER $\frac{1}{4}$ -20 STUD	8..	539 976978....	4 NUT $\frac{1}{4}$ -20 HEX NYLOC
4..	574 388001....	2 LATCH PIN w/ LANYARD	9..	539 102653....	4 WASHER $\frac{5}{8}$ STD FLT
5..	539 200715....	2 PIN, HAIR				

ACCESSORIES

BLOWER ASSEMBLY

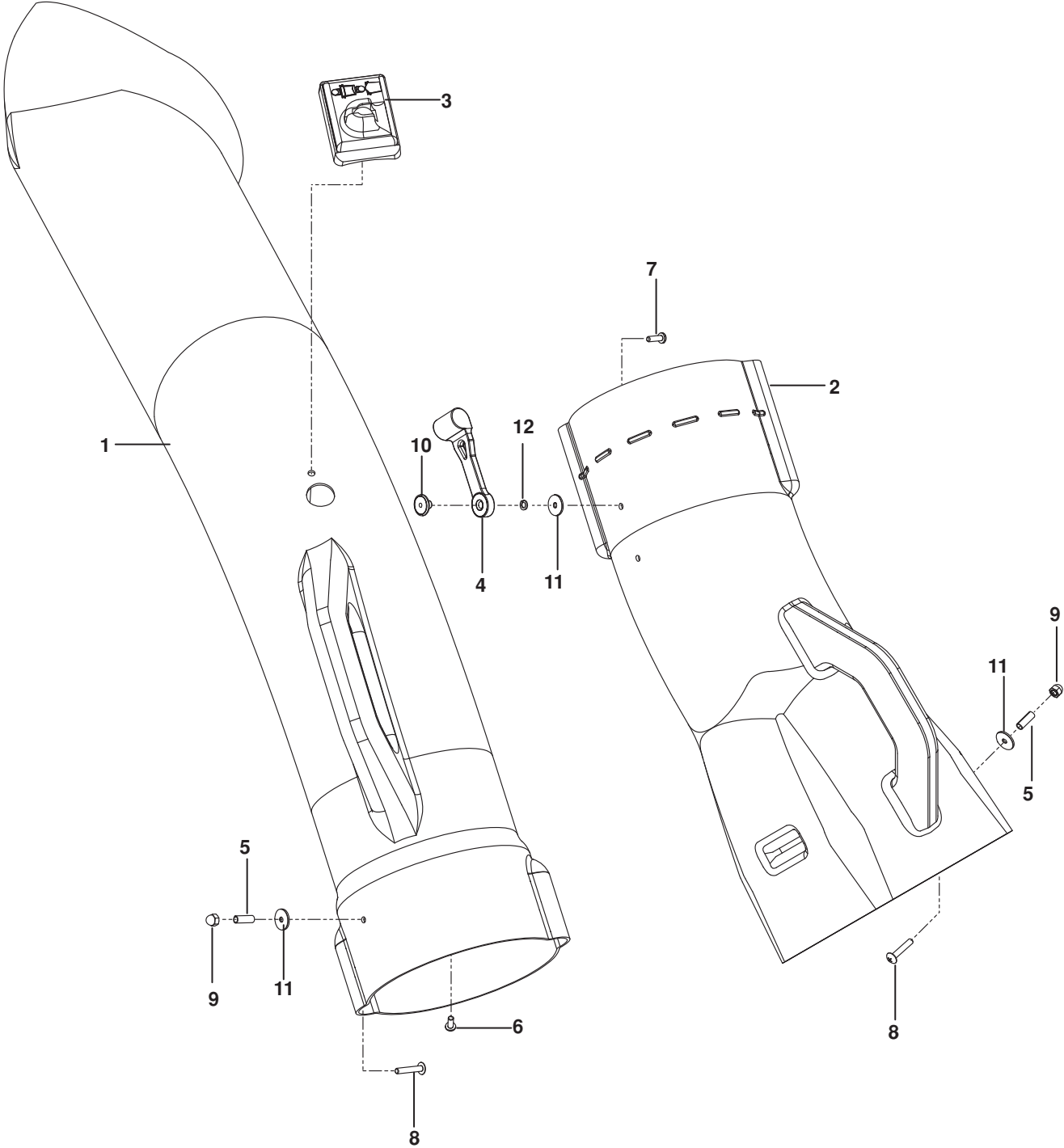


ACCESSORIES

ITEM	PART NO.	QTY.	DESCRIPTION	ITEM	PART NO.	QTY.	DESCRIPTION
1..	539 130344....	1	HOUSING w/DECALS	34..	522 909602....	1	BRACKET, MOUNT
2..	539 130293....	1	COVER, BELT	35..	522 909502....	1	BRACKET, RETENTION
3..	574 411501....	1	COVER, BELT	36..	525 618302....	1	SAND LINER, TOP
4..	539 130292....	1	IMPELLER	37..	522 909702....	1	SAND LINER, BOTTOM
5..	539 130295....	1	HUB	38..	539 990645....	1	RHSNB $\frac{3}{8}$ -16 x 1
6..	539 113683....	1	PULLEY, V-IDLER	39..	539 990316....	6	RHSNB $\frac{5}{16}$ -18 x $\frac{3}{4}$
7..	539 130324....	1	PULLEY	40..	539 990208....	6	RHSNB $\frac{5}{16}$ -18 x 1
8..	579 150802....	1	PULLEY, IDLER	41..	539 976949....	1	HCS $\frac{3}{8}$ -16 x $1\frac{3}{4}$
9..	579 137402....	1	MOUNT, UPPER BLK	42..	539 101721....	4	HCS $\frac{5}{16}$ -18 x $2\frac{3}{4}$
10..	579 137502....	1	MOUNT, LOWER BLK	43..	539 990643....	1	HCS $\frac{1}{4}$ -20 x $\frac{7}{8}$
11..	579 137302....	1	ARM, IDLER	44..	539 990209....	1	HCS $\frac{5}{16}$ -18 x 1
12..	539 130338....	1	ARM, TENSION	45..	539 990655....	1	HCS $\frac{3}{8}$ -16 x $1\frac{1}{2}$
13..	539 130301....	2	BUSHING	46..	539 130315....	6	HCS $\frac{5}{16}$ -18 x $\frac{1}{2}$
14..	539 132124....	1	PLATE, BACKING	47..	539 108461....	3	BOLT $\frac{1}{4}$ -20 x $\frac{1}{2}$ HWST
15..	539 130341....	1	PLATE, OUTER	48..	539 110321....	2	BOLT $\frac{3}{8}$ -24 x $1\frac{1}{4}$ HEX GR 8
16..	539 104411....	1	KNOB w/ STUD	49..	539 990302....	8	SCREW $\frac{1}{4}$ -20 x $\frac{3}{8}$ THD FRM
17..	539 130323....	1	SPACER	50..	539 976952....	1	SCREW #10-24 x $\frac{5}{8}$ MACH
18..	522 909801....	1	PIN, RETENTION	51..	539 130313....	6	NUT $\frac{5}{16}$ -18 TEE
19..	539 108088....	1	LATCH, HOOD	52..	539 130314....	9	NUT $\frac{1}{4}$ -20 TEE
20..	539 115667....	1	KEY $\frac{3}{16}$ x $\frac{1}{2}$	53..	539 108089....	1	WELDNUT, PLATED
21..	539 125229....	1	KEY $1\frac{1}{2}$	54..	539 108120....	1	NUT $\frac{1}{4}$ -20 HEX THIN NYLOC
22..	539 104763....	1	RETAINER, U TYPE	55..	539 108735....	1	NUT $\frac{1}{4}$ -20 HEX FLANGE LK
23..	539 130316....	1	SHAFT, IMPELLER	56..	539 200282....	3	NUT $\frac{3}{8}$ -16 HEX JAM NYLOC
24..	539 976988....	1	HAIRPIN COTTER	57..	539 112899..	10	NUT $\frac{5}{16}$ -18 HEX FLG NYLOC
25..	539 130349....	1	DECAL, BELT ROUTING	58..	539 990717....	9	NUT $\frac{5}{16}$ -18 HEX NYLOC
26..	539 105785....	1	DECAL, WARNING	59..	539 990118....	2	WASHER $\frac{3}{8}$ SLW
27..	539 106741....	1	DECAL, SEVERING	60..	532 140296....	2	WASHER, HARDENED
28..	539 101977....	1	SPRING, TRACTION	61..	539 108084....	1	WASHER $\frac{3}{16}$ x $\frac{3}{4}$ x 16 GA
29..	522 909402....	1	TUBE, RUB	62..	539 109552....	1	WASHER $\frac{3}{16}$ SLW
30..	579 137602....	1	KEEPER, BELT REAR BLK	63..	539 990122....	3	WASHER $\frac{3}{8}$ SAE FLT
31..	539 131085....	1	KEEPER, BELT OUTER BLK	64..	539 990055....	4	WASHER $\frac{1}{4}$ FLAT SAE
32..	579 137702....	1	KEEPER	65..	539 990188..	10	WASHER $\frac{5}{16}$ SAE FLAT
33..	539 130296....	2	BEARING				

ACCESSORIES

CHUTES

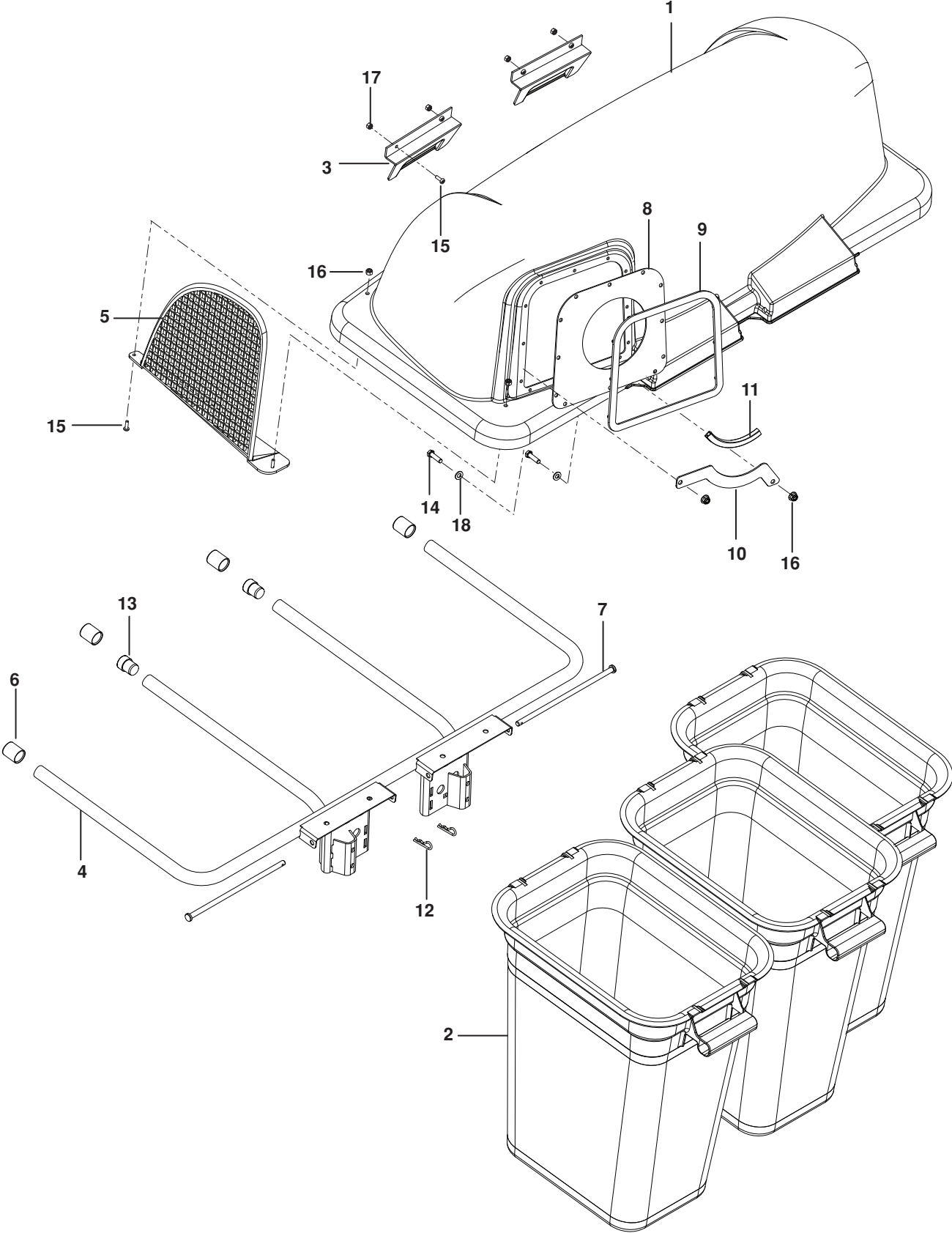


ACCESSORIES

ITEM	PART NO.	QTY.	DESCRIPTION	ITEM	PART NO.	QTY.	DESCRIPTION
1..	539 108141....	1CHUTE, UPPER	7..	539 976952....	1 SCREW #10-24 x $\frac{5}{8}$
2..	539 130294....	1CHUTE, MIDDLE	8..	539 108083....	2 SCREW #10-24 x $1\frac{1}{8}$
3..	539 130933....	1INDICATOR, BAG DUMP	9..	539 108086....	2 NUT #10-24 ACORN
4..	539 108088....	1LATCH, HOOD	10..	539 108089....	1WELDNUT, PLATED
5..	539 108085....	2SPACER, SPLIT	11..	539 108084....	3 WASHER $\frac{3}{16}$ x $\frac{3}{4}$ x 16 GA
6..	539 108081....	1SCREW #10-14 x $\frac{1}{2}$	12..	539 109552....	2 WASHER $\frac{3}{16}$ LOCK

ACCESSORIES

BAGGER

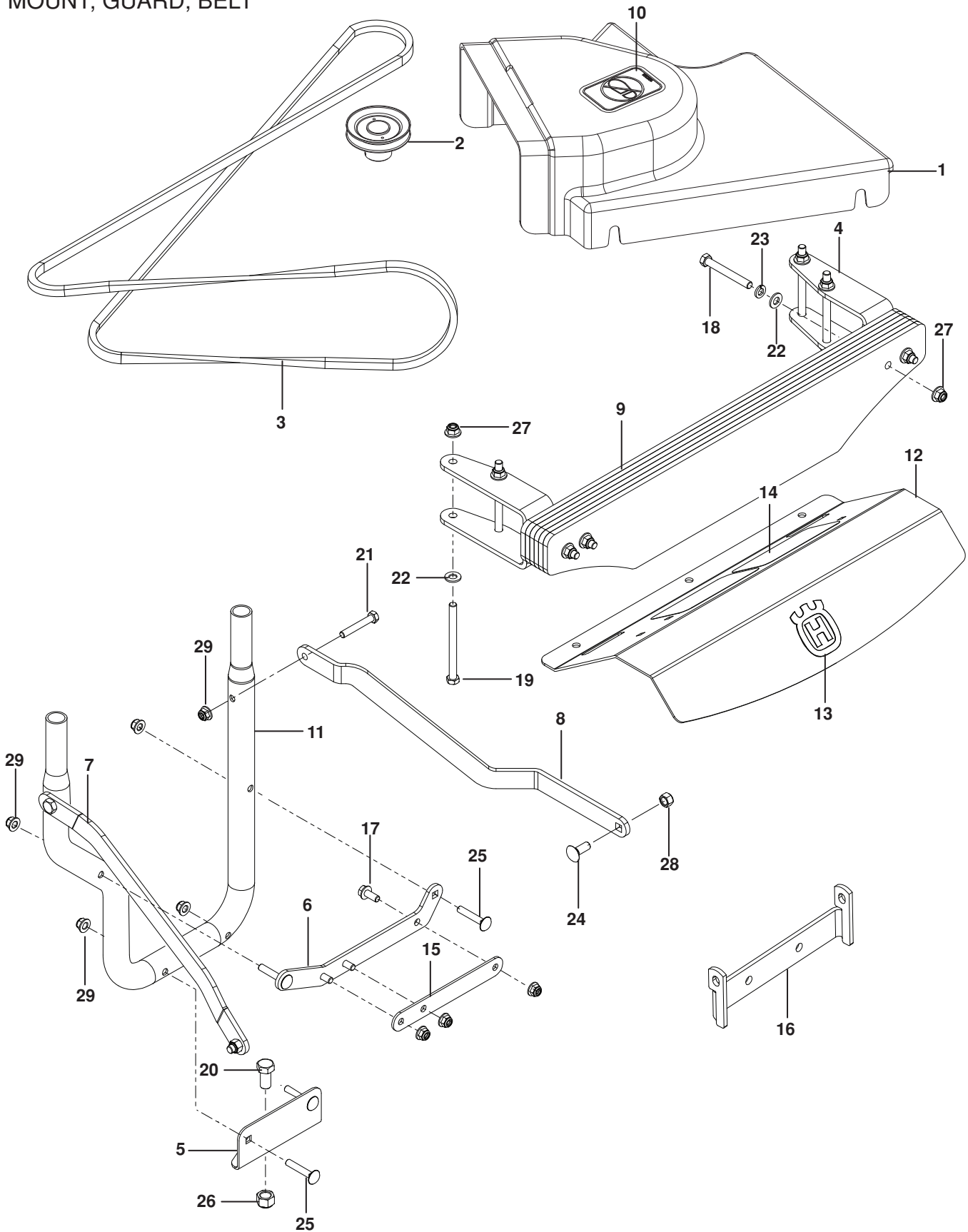


ACCESSORIES

ITEM	PART NO.	QTY.	DESCRIPTION	ITEM	PART NO.	QTY.	DESCRIPTION
1..	532 195373....	1	COVER	10..	539 110281....	1	SUPPORT, CHUTE
2..	532 400226....	3	CONTAINER, SOFT BAG	11..	539 112294....	1	FLEX TRIM
3..	532 130895....	2	HANDLE, BAGGER COVER	12..	539 108096....	2	HAIR PIN
4..	532 176990....	1	FRAME, BAGGER	13..	522 801301....	2	PLUG
5..	532 192709....	1	SCREEN, COVER	14..	539 990627....	2	HCS $\frac{5}{16}$ -18 x $1\frac{1}{4}$
6..	532 174083....	2	PLUG, SPACER	15..	539 976952....	6	SCREW #10-24 x $\frac{5}{8}$
7..	532 192786....	2	PIN, HINGE	16..	539 112899....	2	NUT $\frac{5}{16}$ -18 HEX FLG NYLOC
8..	532 192550....	1	SEAL, COVER	17..	539 976977....	6	NUT #10-24 CROWNLOCK
9..	532 192603....	1	GASKET, COVER	18..	539 990188....	4	WASHER $\frac{5}{16}$ SAE

ACCESSORIES

MOUNT, GUARD, BELT

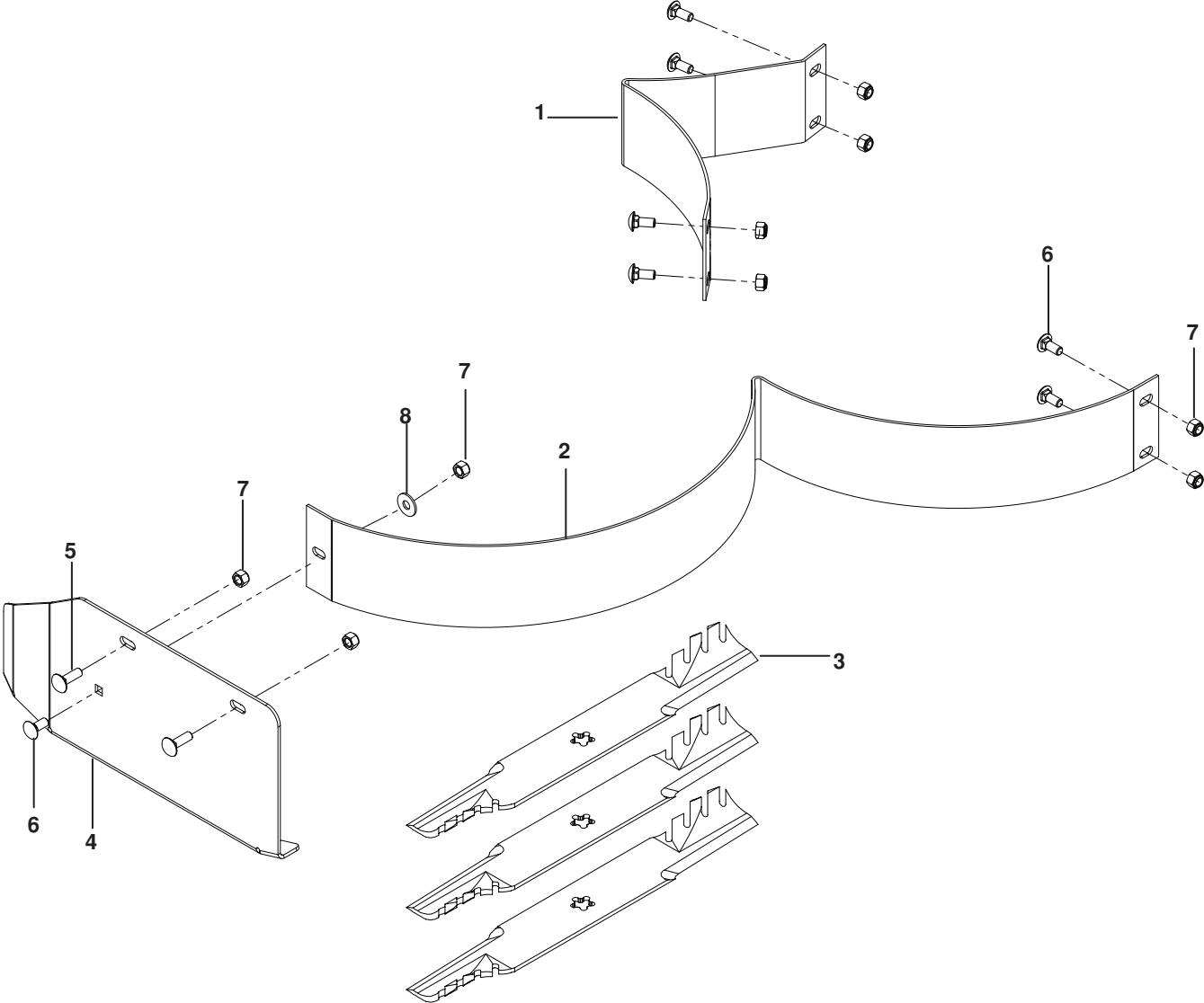


ACCESSORIES

ITEM	PART NO.	QTY.	DESCRIPTION	ITEM	PART NO.	QTY.	DESCRIPTION
1..	539 130307....	1	SHIELD, BELT, 52"	17..	525 464701 ...	3	HHFS $\frac{5}{16}$ -18 x $\frac{3}{4}$
2..	539 130320....	1	PULLEY, 52"	18..	539 101341....	4	HCS $\frac{3}{8}$ -16 x 3
3..	539 130347....	1	BELT 52"	19..	539 102334....	4	HCS $\frac{3}{8}$ -16 x 4 $\frac{1}{2}$
4..	584 812002....	1	FOOT REST	20..	539 990646....	1	HCS $\frac{1}{2}$ -13 x 1
5..	539 132192....	1	MOUNT, HITCH	21..	539 976937 ...	2	HCS $\frac{5}{16}$ -18 x 2
6..	576 221402....	1	BRACKET, SUPPORT	22..	539 990122 ...	8	WASHER $\frac{3}{8}$ SAE FLT
7..	539 132198 ...	1	STRAP, RT BLK	23..	539 990118 ...	4	WASHER $\frac{3}{8}$ LK
8..	575 953302....	1	STRAP, LT BLK	24..	539 990645....	2	RHSNB $\frac{3}{8}$ -16 x 1
9..	539 113232....	6	PLATE, WEIGHT	25..	539 990861....	4	RHSNB $\frac{5}{16}$ -18 x 1 $\frac{3}{4}$
10..	522 989002....	2	BRACKET, WEIGHT	26..	539 101331....	1	NUT $\frac{1}{2}$ -13 HEX NYLOC
11..	539 131091 ...	1	TUBE, MOUNT	27..	521 966501....	8	NUT $\frac{3}{8}$ -16 HEX FLG NYLOC
12..	539 105743....	1	DECAL, NO STEP	28..	539 976979...2	2	NUT $\frac{3}{8}$ -16 HEX NYLOC
13..	532 428676....	1	DECAL, CROWN	29..	539 112899....	9	NUT $\frac{5}{16}$ -18 HEX FLG NYLOC
14..	539 121322....	2	ABRASIVE PAD	NOT SHOWN			
15..	576 221502....	1	SPACER	539 110290 ...	1	BLOCK, FOAM	
16..	581 606104....	1	BRACKET, CHUTE BLK				

ACCESSORIES

MULCH KIT



ACCESSORIES

ITEM	PART NO.	QTY.	DESCRIPTION	ITEM	PART NO.	QTY.	DESCRIPTION
1..	539 112421....	1 BAFFLE, MULCH, LEFT	5..	539 990208....	2 RHSNB ⁵ / ₁₆ -18 x 1
2..	539 112435....	1 BAFFLE, MULCH, RIGHT	6..	539 990316....	7 RHSNB ⁵ / ₁₆ -18 x ³ / ₄
3..	521 981501....	3 BLADE, 18" GATOR	7..	539 990717....	9 NUT ⁵ / ₁₆ -18 NYLOC
4..	539 112344....	1 CAP, MULCH, 52	8..	539 990692....	1 WASHER ⁵ / ₁₆

