

Gasoline containing up to 10% ethanol (E10) is acceptable for use in this machine. The use of any gasoline exceeding 10% ethanol (E10) will void the product warranty.

Parts Manual **M-ZT61 / 967177004**



Please read the operator's manual carefully and make sure you understand the instructions before using the machine.

When you need spare parts or support in service questions, warranty issues, etc., please consult the following professional:

| | | |
|---|--------|--------------|
| | | |
| This manual belongs to the machine with the manufacturing number: | Engine | Transmission |

Manufacturing Number

The machine's manufacturing number can be found on the printed plate affixed to the engine compartment.

Stated on the plate, from the top are:

- The machine's type designation (I.D.).
- The manufacturer's type number (Model).
- The machine's serial number (Serial no.)

Please have the type designation and serial number available when ordering spare parts.

The engine's manufacturing number is stamped on one of the valve covers.

The plate states:

- The engine's model.
- The engine's type.
- Code

Please have these available when ordering spare parts.

The wheel motors and hydrostatic pumps have a barcode decal affixed at the rear.

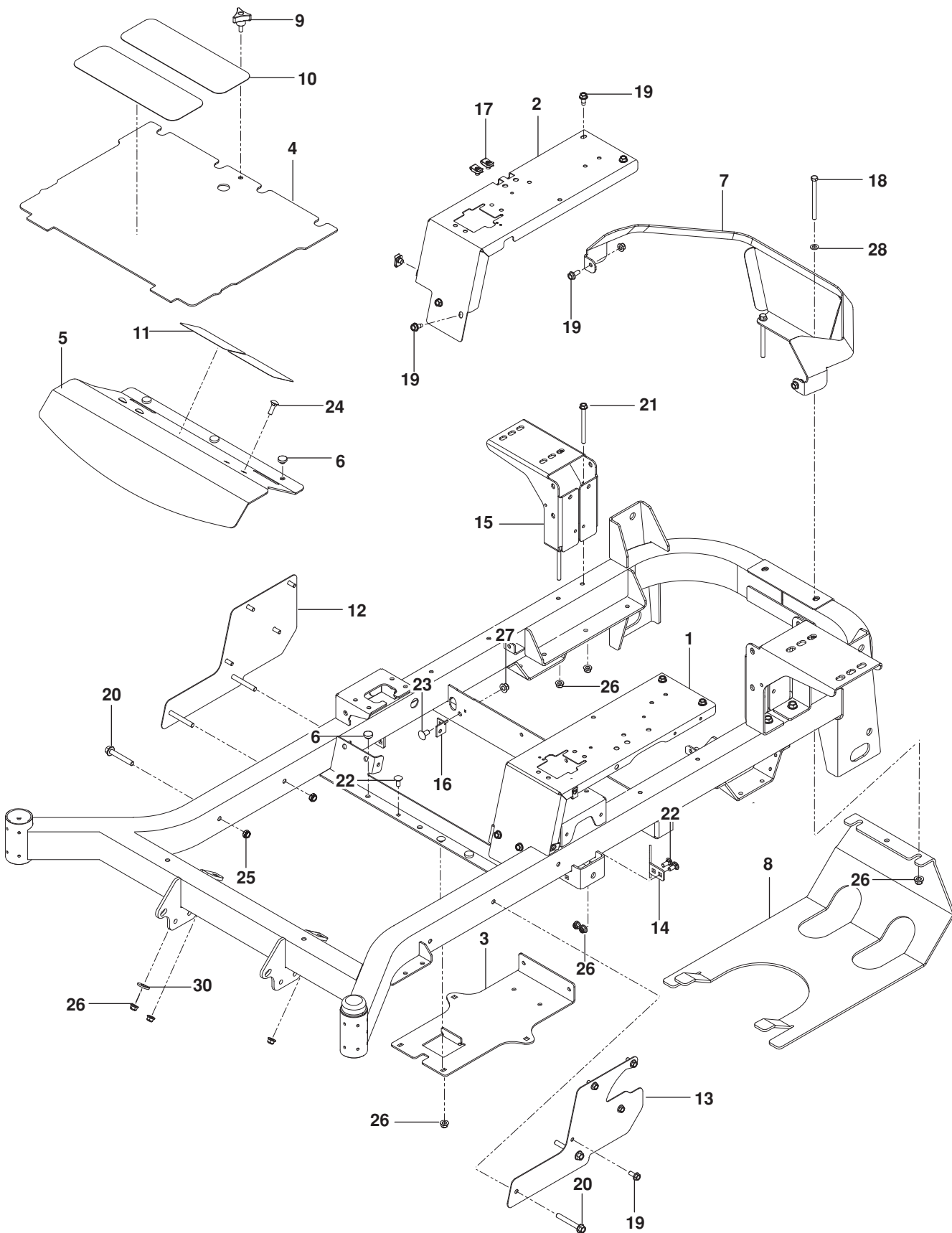
| | |
|------------------------------|------------|
| Accessories Available | |
| Mulch Kit..... | 965 894002 |

CONTENTS

| | |
|---------------------------------|----|
| FRAME | 4 |
| ENGINE PLATE..... | 6 |
| STEERING | 8 |
| IGNITION..... | 10 |
| PARKING BRAKE | 12 |
| HYDRAULIC PUMP-MOTOR..... | 14 |
| WHEELS | 16 |
| MOWER LIFT / DECK LIFT..... | 18 |
| MOWER DECK / CUTTING DECK | 20 |
| SEAT | 22 |
| DECALS | 24 |
| PROTECTION FRAME | 26 |
| ACCESSORIES | |
| MULCH KIT..... | 28 |

NOTE: ALL FASTENERS ARE GRADE 5 UNLESS OTHERWISE SPECIFIED.

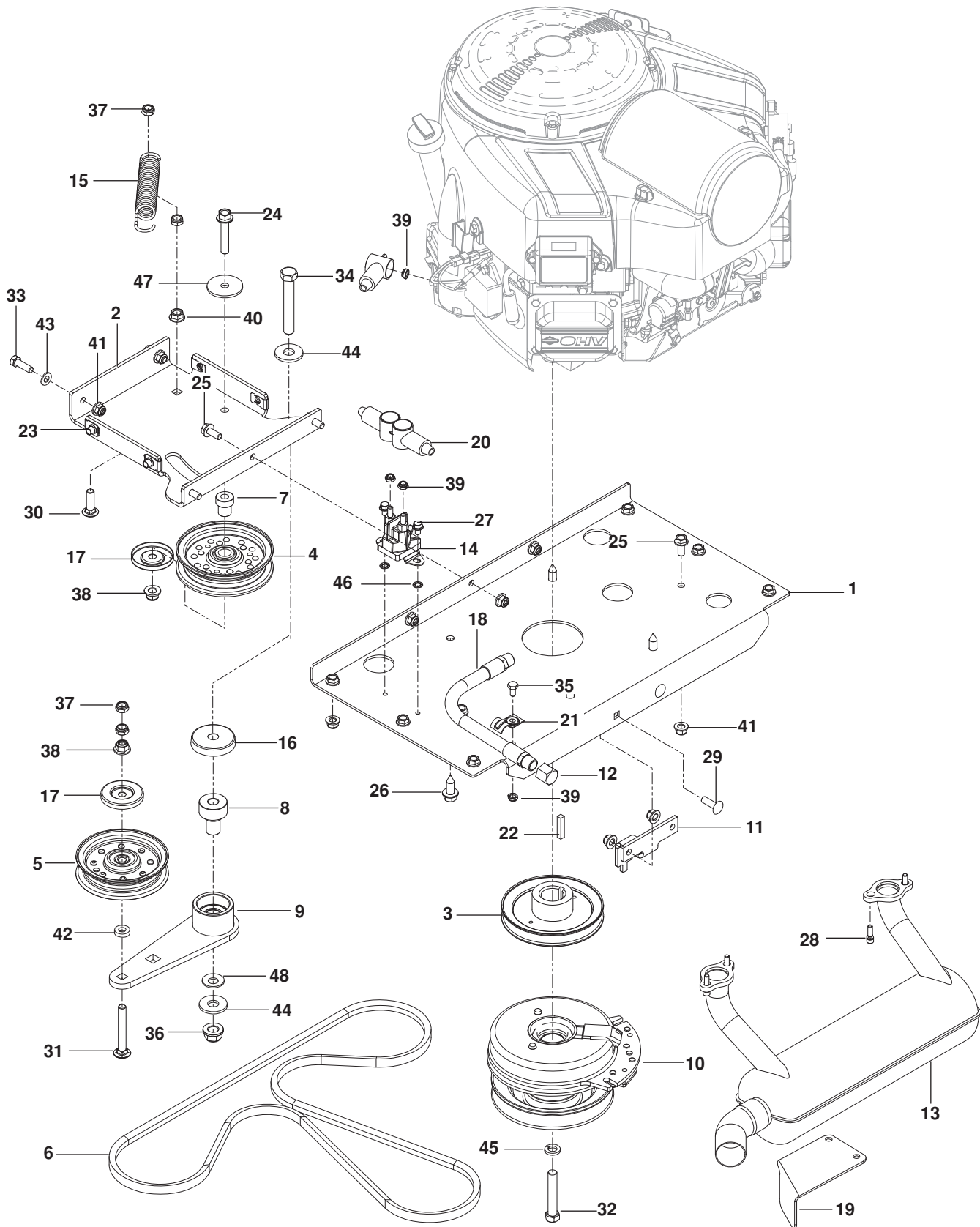
FRAME



FRAME

| ITEM | PART NO. | QTY. | DESCRIPTION | ITEM | PART NO. | QTY. | DESCRIPTION |
|------|----------------|------|-------------------------------|------|----------------|------|---|
| 1.. | 577 256802.... | 1 | PANEL, FILLER LT ORG | 16.. | 575 245202.... | 2 | BRACKET, DAMPENER BLK |
| 2.. | 577 256902.... | 1 | PANEL, FILLER RT ORG | 17.. | 539 104763.... | 8 | RETAINER-U TYPE |
| 3.. | 575 017202.... | 1 | PLATE, BATTERY ORG | 18.. | 539 102335.... | 2 | HCS $\frac{5}{16}$ -18 x 4 |
| 4.. | 539 132744.... | 1 | PLATE w/ SAFTY DECAL ORG | 19.. | 525 464701.. | 16 | HHFS $\frac{5}{16}$ -18 x $\frac{3}{4}$ |
| 5.. | 539 132380.... | 1 | PLATE, FOOTREST ORG | 20.. | 539 131781.... | 5 | HHFS $\frac{3}{8}$ -16 x $2\frac{3}{4}$ |
| 6.. | 539 102587.... | 7 | GROMMET, BUMPER | 21.. | 539 131780.... | 4 | HHFS $\frac{5}{16}$ -18 x $3\frac{3}{4}$ |
| 7.. | 575 348402.... | 1 | GUARD, REAR | 22.. | 539 990316.... | 6 | RHSNB $\frac{5}{16}$ -18 x $\frac{3}{4}$ |
| 8.. | 521 921801.... | 1 | GUARD, SKID | 23.. | 539 109117.... | 2 | RHSNB $\frac{3}{8}$ -16 x $\frac{3}{4}$ |
| 9.. | 539 104411.... | 1 | KNOB w/ STUD | 24.. | 539 990208.... | 3 | RHSNB $\frac{5}{16}$ -18 x 1 |
| 10.. | 539 977778.... | 2 | PAD, ABRASIVE LG | 25.. | 539 200282.... | 5 | NUT $\frac{3}{8}$ -16 HEX JAM NYLOC |
| 11.. | 539 121322.... | 2 | PAD, ABRASIVE SM | 26.. | 539 112899.. | 17 | NUT $\frac{5}{16}$ -18 HEX FLG NYLOC |
| 12.. | 577 259801.... | 1 | SIDE, LT BLK | 27.. | 521 996501.... | 2 | NUT $\frac{3}{8}$ -16 HEX FLG NYLOC |
| 13.. | 577 259701.... | 1 | SIDE, RT BLK | 28.. | 539 990188.... | 2 | WASHER $\frac{5}{16}$ SAE FLT |
| 14.. | 505 256401.... | 2 | STOP, DECK | 29.. | 539 109554.... | 1 | WASHER $\frac{1}{2}$ FLT |
| 15.. | 575 533602.... | 2 | MOUNT, TANK BLK | | | | |

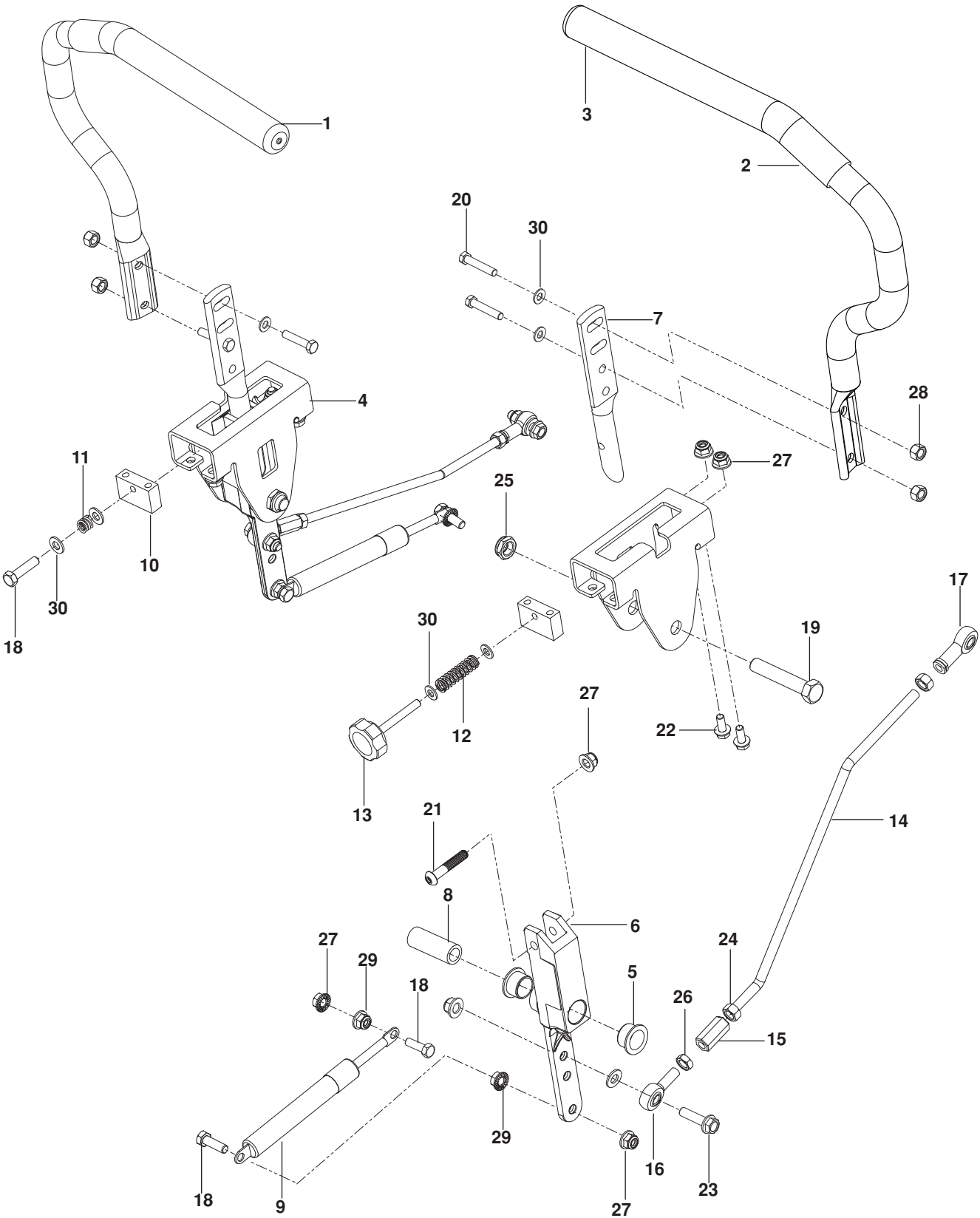
ENGINE PLATE



ENGINE PLATE

| ITEM | PART NO. | QTY. | DESCRIPTION | ITEM | PART NO. | QTY. | DESCRIPTION |
|------|----------------|------|--------------------------------|------------|----------------|----------------------|---------------------------------|
| 1.. | 574 846302.... | 1 | PLATE, ENGINE, BLK | 27.. | 539 990302.... | 2 | SCREW 1/4-20 x 8 THD FRM |
| 2.. | 574 846402.... | 1 | PLATE, IDLER SUPPORT, BLK | 28.. | 532 183906.... | 4 | SCREW 5/16-18 x 1 SKT HD |
| 3.. | 574 811001.... | 1 | PULLEY, V, 1.125 BORE | 29.. | 539 107271.... | 2 | RHSSNB 5/16-18 x 1 |
| 4.. | 539 976688.... | 1 | PULLEY, IDLER | 30.. | 539 100413.... | 1 | RHSNB 3/8-16 x 1 1/4 |
| 5.. | 539 107620.... | 1 | PULLEY, IDLER SECONDARY | 31.. | 539 130235.... | 1 | RHSNB 3/8-16 x 2 3/4 |
| 6.. | 574 870901.... | 1 | BELT | 32.. | 539 991120.... | 1 | HCS 7/16-20 x 2 1/2 |
| 7.. | 525 435601.... | 1 | PIVOT, IDLER | 33.. | 539 990209.... | 2 | HCS 5/16-18 x 1 |
| 8.. | 510 206301.... | 1 | PIVOT, BEARING | 34.. | 539 103433.... | 1 | HCS 1/2-13 x 3 1/4 |
| 9.. | 510 041603.... | 1 | ARM, IDLER w/ BEARINGS | 35.. | 539 990071.... | 1 | HCS 1/4-20 x 1/2 |
| 10.. | 574 607001.... | 1 | CLUTCH, 200 FT-LB | 36.. | 521 991101.... | 1 | NUT 1/2-13 HEX FLANGE NYL |
| 11.. | 575 017302.... | 1 | STOP, CLUTCH BLK | 37.. | 539 200282.... | 4 | NUT 3/8-16 HEX JAM NYLOC |
| 12.. | 539 101364.... | 1 | PLUG, OIL | 38.. | 521 996501.... | 2 | NUT 3/8-16 HEX FLANGE NYL |
| 13.. | 576 701801.... | 1 | MUFFLER, B&S CYCLONIC | 39.. | 539 108120.... | 4 | NUT 1/4-20 HEX THIN |
| 14.. | 539 101714.... | 1 | SOLENOID | 40.. | 539 990613.... | 1 | NUT 3/8-16 HEX WHIZLK |
| 15.. | 510 254401.... | 1 | SPRING, PUMP | 41.. | 539 112899.. | 15 | NUT 5/16-18 HEX FLANGE NYL |
| 16.. | 539 114662.... | 1 | SHIELD, DUST | 42.. | 539 109562.... | 1 | WASHER 3/8 x 3/4 |
| 17.. | 510 254501.... | 2 | SHIELD, DUST | 43.. | 539 990188.... | 2 | WASHER 5/16 SAE FLAT |
| 18.. | 539 101362.... | 1 | HOSE, DRAIN | 44.. | 539 109554.... | 2 | WASHER 1/2 FLAT ZD |
| 19.. | 579150901 | 1 | SHIELD, MUFFLER | 45.. | 539 990247.... | 1 | WASHER 7/16 SLW |
| 20.. | 539 102759.... | 3 | INSULATOR | 46.. | 539 990053.... | 2 | WASHER 1/4 INT TOOTH LK |
| 21.. | 539 101363.... | 1 | CLAMP | 47.. | 539 111897.... | 1 | WASHER, SPECIAL |
| 22.. | 539 912757.... | 1 | KEY 1/4 SQ x 1 1/4 | 48.. | 539 115528.... | 1 | WASHER 1/2" BELLEVILLE |
| 23.. | 539 104763.... | 4 | RETAINER, U TYPE | NOT SHOWN | | | |
| 24.. | 525 866201.... | 1 | HHFS 3/8-16 x 2 | 539 107516 | 1 | PIGTAIL CV490S | |
| 25.. | 525 464701.. | 11 | HHFS 5/16-18 x 3/4 | 532 165391 | 1 | GASKET, MUFFLER | |
| 26.. | 532 120616.... | 4 | HHFS 3/8-16 x 1 THD FRM | | | | |

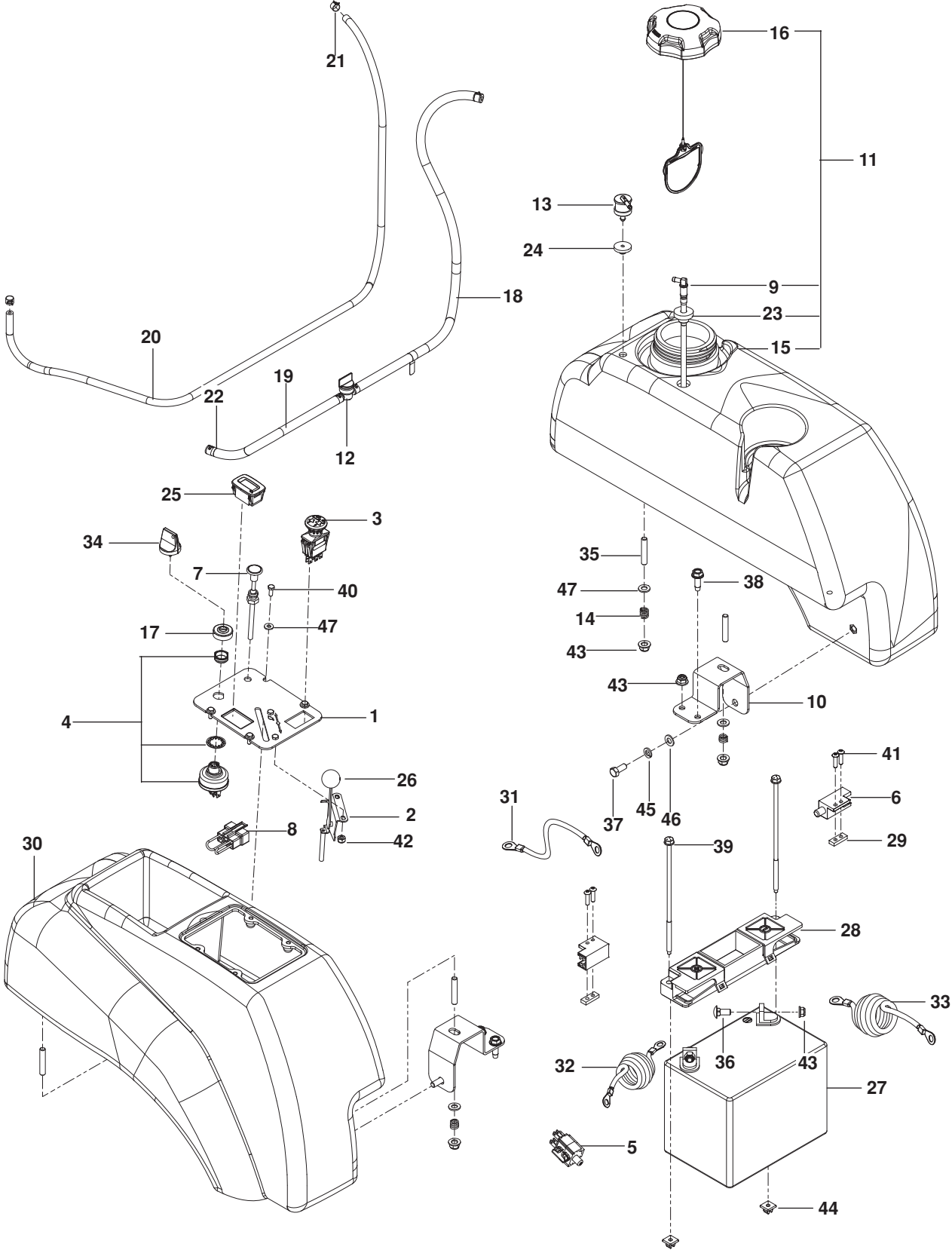
STEERING



STEERING

| ITEM | PART NO. | QTY. | DESCRIPTION | ITEM | PART NO. | QTY. | DESCRIPTION |
|------|----------------|------|-----------------------|------|----------------|------|--|
| 1.. | 539 132009.... | 1 | LEVER w/ GRIP RT | 16.. | 539 116690.... | 2 | ROD END LT |
| 2.. | 539 132010.... | 1 | LEVER w/ GRIP LT | 17.. | 539 115729.... | 2 | ROD END RT |
| 3.. | 539 130894.... | 2 | GRIP, FOAM | 18.. | 539 990627.... | 5 | HCS $\frac{5}{16}$ -18 x $1\frac{1}{4}$ |
| 4.. | 577 251701.... | 2 | BRACKET, CONTROL | 19.. | 539 101332.... | 2 | HCS $\frac{1}{2}$ -13 x $2\frac{3}{4}$ |
| 5.. | 539 131518.... | 4 | BEARING, FLANGE | 20.. | 539 976935.... | 4 | HCS $\frac{5}{16}$ -18 x $1\frac{1}{2}$ |
| 6.. | 576 140301.... | 2 | LEVER, CONTROL | 21.. | 576 850402.... | 2 | SCREW $\frac{5}{16}$ -18 X $1\frac{3}{4}$ BTN HD |
| 7.. | 577 420001.... | 2 | LEVER, HANDLE | 22.. | 525 464701.... | 8 | HHFS $\frac{5}{16}$ -18 X $\frac{3}{4}$ |
| 8.. | 577 252401.... | 2 | SPACER, PIVOT CONTROL | 23.. | 525 544001.... | 4 | HHFS $\frac{5}{16}$ -18 x $1\frac{1}{4}$ TPBLT |
| 9.. | 539 102720.... | 2 | DAMPENER | 24.. | 539 990223.... | 4 | NUT $\frac{5}{16}$ -24 HEX |
| 10.. | 577 251801 | 2 | BLOCK, TRACKING | 25.. | 539 108010.... | 2 | NUT $\frac{1}{2}$ -13 HEX JAM NYL GR2 |
| 11.. | 539 102845.... | 1 | SPRING | 26.. | 539 991073.... | 2 | NUT $\frac{5}{16}$ -24 HEX JAM LH |
| 12.. | 576 850301.... | 1 | SPRING | 27.. | 539 112899.. | 10 | NUT $\frac{5}{16}$ -18 HEX FLG NYLOC |
| 13.. | 539 131799.... | 1 | KNOB | 28.. | 539 990717.... | 6 | NUT $\frac{5}{16}$ -18 HEX NYLOC |
| 14.. | 574 811401.... | 2 | ROD, MOTION CONTROL | 29.. | 539 990585.... | 4 | NUT $\frac{5}{16}$ -18 HEX WHIZLK |
| 15.. | 539 116689.... | 2 | COUPLER, ROD END | 30.. | 539 990188.. | 12 | WASHER $\frac{5}{16}$ SAE FLT |

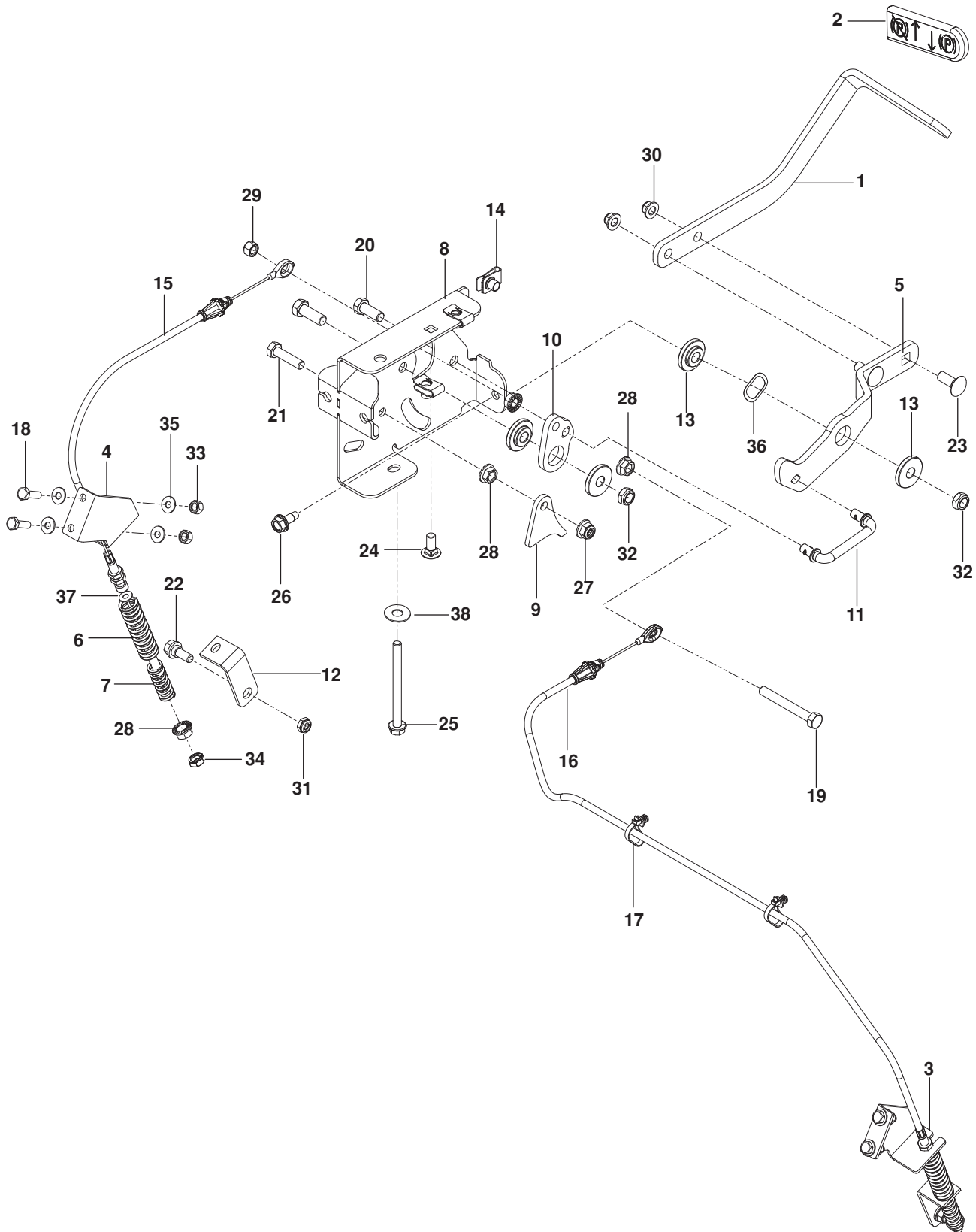
IGNITION



IGNITION

| ITEM | PART NO. | QTY. | DESCRIPTION | ITEM | PART NO. | QTY. | DESCRIPTION |
|------|----------------|------|------------------------------------|----------------|----------------|--------------------|---|
| 1.. | 574 841204.... | 1 | PLATE, CONSOLE, BLK | 26.. | 539 133049.... | 1 | KNOB |
| 2.. | 539 112438.... | 1 | CABLE, THROTTLE | 27.. | 539 102436.... | 1 | BATTERY |
| 3.. | 539 131627.... | 1 | SWITCH, PTO 10 AMP | 28.. | 539 107628.... | 1 | BATTERY HOLD DOWN |
| 4.. | 574 455401.... | 1 | SWITCH, IGNITION | 29.. | 539 102678.... | 2 | PLATE, TAPPED |
| 5.. | 539 113792.... | 1 | SWITCH, BRAKE | 30.. | 539 107593.... | 1 | CONSOLE, RT |
| 6.. | 532 109553.... | 2 | SWITCH, INTERLOCK | 31.. | 539 104974.... | 1 | CABLE, POSITIVE 31" |
| 7.. | 574 206903.... | 1 | CHOKE CONTROL | 32.. | 539 102757.... | 1 | CABLE, POSITIVE 8" |
| 8.. | 575 321001.... | 1 | PLUG, TIMER | 33.. | 539 107645.... | 1 | CABLE, NEGATIVE 32" |
| 9.. | 576 469201.... | 1 | FITTING, FUEL | 34.. | 574 455501.... | 1 | KEY, IGNITION |
| 10.. | 539 131671.... | 2 | SUPPORT, TANK, BLK | 35.. | 539 102502.... | 6 | STUD $\frac{5}{16}$ -18 |
| 11.. | 576 368102.... | 1 | TANK ASSY LT | 36.. | 539 990316.... | 2 | RHSNB $\frac{5}{16}$ -18 x $\frac{3}{4}$ |
| 12.. | 539 916325.... | 1 | VALVE, FUEL | 37.. | 539 976934.... | 2 | HCS $\frac{5}{16}$ -18 x $\frac{3}{4}$ |
| 13.. | 576 618101.... | 1 | VALVE, FUEL CHECK | 38.. | 539 113226.... | 3 | BOLT $\frac{5}{16}$ -18 x 1 THD FRM |
| 14.. | 539 102845.... | 6 | SPRING | 39.. | 539 107632.... | 2 | BOLT $\frac{1}{4}$ x $7\frac{1}{2}$ |
| 15.. | 576 368101.... | 1 | TANK, FUEL LT | 40.. | 539 990411.... | 6 | SCREW #10-24 x $\frac{1}{2}$ SLT |
| 16.. | 575 018101.... | 1 | FUEL CAP w /TETHER | 41.. | 574 822701.... | 4 | SCREW #10-24 x $\frac{3}{4}$ SKT HD |
| 17.. | 539 103178.... | 1 | CAP, IGNITION SWITCH NUT | 42.. | 539 976977.... | 2 | NUT #10-24 NYLOC |
| 18.. | 539 107765.... | 1 | HOSE, FUEL 26" | 43.. | 539 112899.. | 12 | NUT $\frac{5}{16}$ -18 HEX FLANGE NYL |
| 19.. | 539 932956.... | 1 | HOSE, FUEL 10" | 44.. | 539 107629.... | 2 | NUT $\frac{1}{4}$ PUSH NYLON |
| 20.. | 576 660602.... | 1 | HOSE $\frac{3}{16}$ VAPOR 48" | 45.. | 539 990187.... | 2 | WASHER $\frac{5}{16}$ SLW |
| 21.. | 575 436501.... | 2 | CLAMP, HOSE | 46.. | 539 990188.... | 8 | WASHER $\frac{5}{16}$ SAE |
| 22.. | 539 912222.... | 4 | CLAMP, HOSE | 47.. | 539 105408.... | 4 | WASHER #10 |
| 23.. | 539 105245.... | 1 | GROMMET, RUBBER | NOT SHOWN | | | |
| 24.. | 576 618201.... | 1 | GROMMET, CHECK VALVE | 575 320901 ... | 1 | HARNESS, MAIN | |
| 25.. | 532 401763.... | 1 | HOUR METER | 539 976856 ... | 8 | WIRE TIE | |

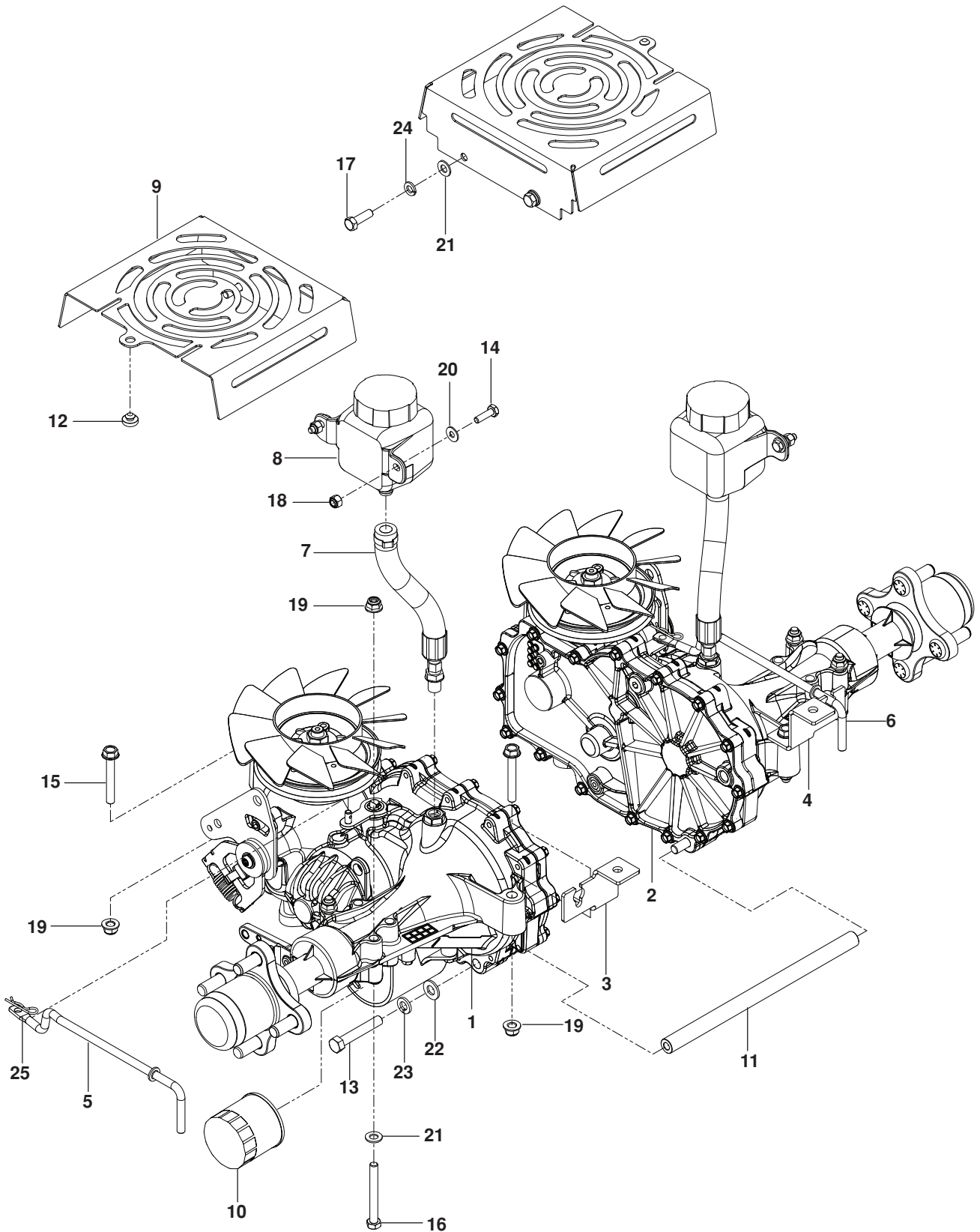
PARKING BRAKE



PARKING BRAKE

| ITEM | PART NO. | QTY. | DESCRIPTION | ITEM | PART NO. | QTY. | DESCRIPTION |
|------|----------------|------|---|------|----------------|------|---|
| 1.. | 539 132151.... | 1 | ARM, BRAKE | 20.. | 539 990563.... | 2 | HCS $\frac{3}{8}$ -16 x 1 |
| 2.. | 539 105036.... | 1 | GRIP, BRAKE HANDLE | 21.. | 539 990209.... | 1 | HCS $\frac{5}{16}$ -18 x 1 |
| 3.. | 575 229602.... | 1 | BRACKET, RT BLK | 22.. | 539 110303.... | 2 | BOLT $\frac{5}{16}$ SHOULDER |
| 4.. | 575 229702.... | 1 | BRACKET, LT BLK | 23.. | 539 990645.... | 2 | RHSNB $\frac{3}{8}$ -16 x 1 |
| 5.. | 539 132423.... | 1 | LEVER, BRAKE | 24.. | 539 990316.... | 1 | RHSNB $\frac{5}{16}$ -18 x $\frac{3}{4}$ |
| 6.. | 575 230201.... | 2 | SPRING, RETURN | 25.. | 539 131780.... | 1 | HHFS $\frac{5}{16}$ -18 x $3\frac{3}{4}$ |
| 7.. | 575 230301.... | 2 | SPRING, ENGAGEMENT | 26.. | 539 107475.... | 1 | BOLT $\frac{5}{16}$ -18 x $\frac{3}{4}$ THD FRM |
| 8.. | 539 132158.... | 1 | MOUNT, BRAKE | 27.. | 539 112899.... | 4 | NUT $\frac{5}{16}$ -18 FLANGE NYLOC |
| 9.. | 539 132154.... | 1 | ACTUATOR, SWITCH | 28.. | 539 990585.... | 5 | NUT $\frac{5}{16}$ -18 HEX WHIZLK |
| 10.. | 539 132153.... | 1 | BELLCRANK, BRAKE | 29.. | 539 990717.... | 1 | NUT $\frac{5}{16}$ -18 HEX NYLOC |
| 11.. | 539 132424.... | 1 | LINKAGE, BRAKE | 30.. | 521 996501.... | 2 | NUT $\frac{3}{8}$ -16 HEX FLG NYLOC |
| 12.. | 575 229802.... | 2 | BRACKET, BRAKE | 31.. | 539 115617.... | 2 | NUT $\frac{5}{16}$ HEX NYLOC |
| 13.. | 539 132161.... | 4 | BUSHING, BRAKE | 32.. | 539 200282.... | 2 | NUT $\frac{3}{8}$ -16 HEX JAM NYLOC |
| 14.. | 539 104763.... | 3 | RETAINER, U TYPE $\frac{5}{16}$ -18 | 33.. | 539 976978.... | 4 | NUT $\frac{1}{4}$ -20 HEX NYLOC |
| 15.. | 539 132173.... | 1 | CABLE, BRAKE SHORT | 34.. | 539 107897.... | 2 | NUT $\frac{5}{16}$ -18 HEX JAM |
| 16.. | 539 132174.... | 2 | CABLE, BRAKE LONG | 35.. | 539 990055.... | 8 | WASHER $\frac{1}{4}$ SAE FLT |
| 17.. | 505 280001.... | 2 | TIE w/ CLIP | 36.. | 539 133007.... | 1 | WASHER .825 WAVE |
| 18.. | 539 990643.... | 4 | HCS $\frac{1}{4}$ -20 x $\frac{7}{8}$ | 37.. | 539 990122.... | 2 | WASHER $\frac{3}{8}$ SAE |
| 19.. | 539 108396.... | 1 | HCS $\frac{5}{16}$ -18 x $2\frac{1}{2}$ TPBLT | 38.. | 539 109554.... | 1 | WASHER $\frac{1}{2}$ FLT |

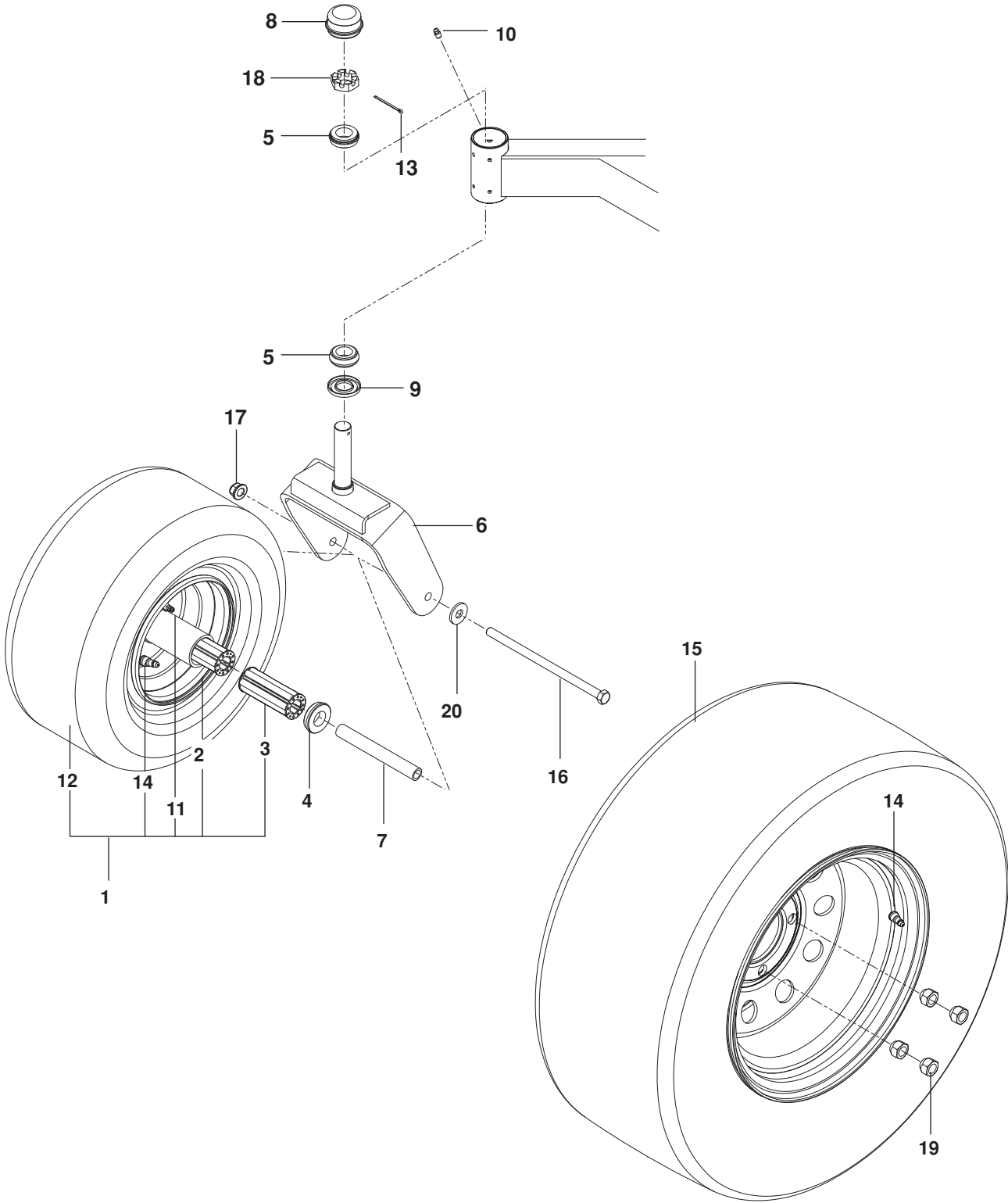
HYDRAULIC PUMP-MOTOR



HYDRAULIC PUMP-MOTOR

| ITEM | PART NO. | QTY. | DESCRIPTION | ITEM | PART NO. | QTY. | DESCRIPTION |
|------|----------------|------|-----------------------------|------|----------------|------|---------------------------------|
| 1.. | 574 569101.... | 1 | TRANS, ZT-3400, LT | 14.. | 539 990643.... | 4 | HCS 1/4-20 x 7/8 |
| 2.. | 574 569102.... | 1 | TRANS, ZT-3400, RT | 15.. | 574 233801.... | 4 | HHFS 5/16-18 x 2 1/4 |
| 3.. | 575 017102.... | 1 | BRACKET, TRANS, LT BLK | 16.. | 539 101721.... | 4 | HCS 5/16-18 x 2 3/4 |
| 4.. | 575 017002.... | 1 | BRACKET, TRANS, RT BLK | 17.. | 539 990209.... | 4 | HCS 5/16-18 x 1 |
| 5.. | 539 131616.... | 1 | LINKAGE, LEFT BYPASS | 18.. | 539 976978.... | 4 | NUT 1/4-20 HEX NYLOC |
| 6.. | 539 131618.... | 1 | LINKAGE, RIGHT BYPASS | 19.. | 539 112899.... | 8 | NUT 5/16-18 HEX FLANGE NYL |
| 7.. | 574 892101.... | 2 | HOSE, EXPANSION | 20.. | 539 990055.... | 4 | WASHER 1/4 FLAT SAE |
| 8.. | 574 811301.... | 2 | TANK, EXPANSION | 21.. | 539 990188.... | 8 | WASHER 5/16 SAE FLAT |
| 9.. | 575 778202.... | 2 | COVER, FAN | 22.. | 539 990122.... | 2 | WASHER 3/8 SAE FLT |
| 10.. | 539 113466.... | 2 | FILTER, HYDRO | 23.. | 539 990118.... | 2 | WASHER 3/8 SPLT LK |
| 11.. | 574 868501.... | 1 | TUBE, SPACER | 24.. | 539 990187.... | 4 | WASHER 5/16 SLW |
| 12.. | 539 102587.... | 2 | GROMMET, BUMPER | 25.. | 539 976988.... | 2 | HAIRPIN COTTER |
| 13.. | 539 108551.... | 2 | HCS 3/8-16 x 2 1/2 GR8 | | | | |

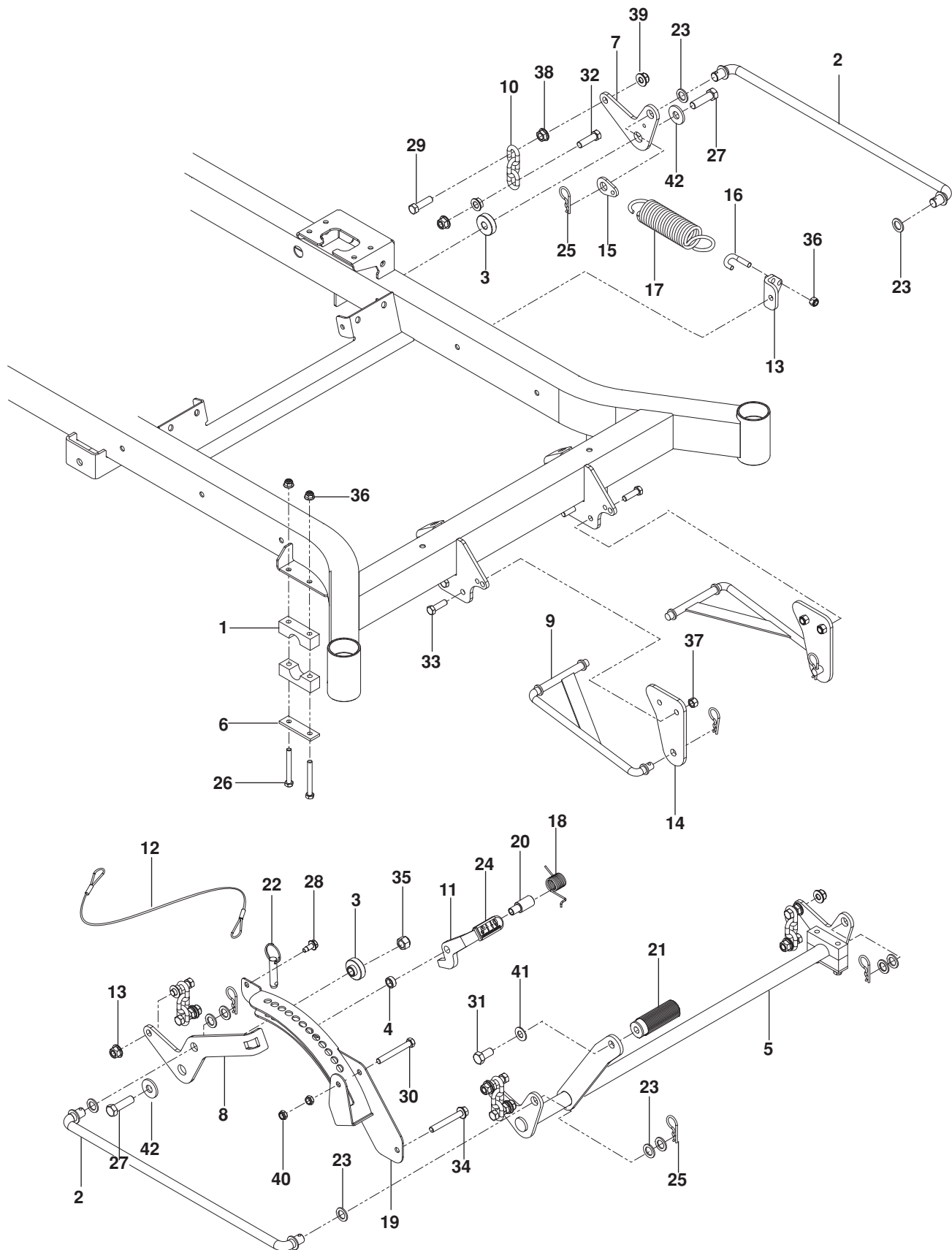
WHEELS



WHEELS

| ITEM | PART NO. | QTY. | DESCRIPTION | ITEM | PART NO. | QTY. | DESCRIPTION |
|------|----------------|------|---------------------|------|----------------|------|-------------------------|
| 1.. | 575 348701.... | 2 | TIRE ASSY, CASTER | 11.. | 539 103300.... | 2 | ZERK ¼ -28 ANGLED |
| 2.. | 575 622101.... | 2 | RIM 6 x 4.50 CASTER | 12.. | 575 622201.... | 2 | TIRE, 13 x 6.50 |
| 3.. | 539 105307.... | 4 | BEARING, ROLLER | 13.. | 539 102889.... | 2 | COTTER PIN 1/8 x 2 |
| 4.. | 539 102484.... | 4 | BEARING, FLANGE | 14.. | 539 912234.... | 4 | VALVE STEM |
| 5.. | 539 102543.... | 4 | BEARING | 15.. | 539 108881.... | 2 | TIRE ASSY, REAR |
| 6.. | 575 329203.... | 2 | YOKE, CASTER, BLUE | 16.. | 539 105517.... | 2 | HCS ½-13 x 9½ |
| 7.. | 575 334901.... | 2 | SPACER, PIVOT | 17.. | 521 991101.... | 2 | NUT ½-13 HEX FLANGE NYL |
| 8.. | 539 102535.... | 2 | GREASE CAP | 18.. | 539 102852.... | 2 | NUT, SLOTTED JAM |
| 9.. | 539 102851.... | 2 | SEAL | 19.. | 539 101173.... | 8 | NUT ½ HEX LUG |
| 10.. | 539 101474.... | 2 | ZERK | 20.. | 539 109554.... | 2 | WASHER ½ FLAT |

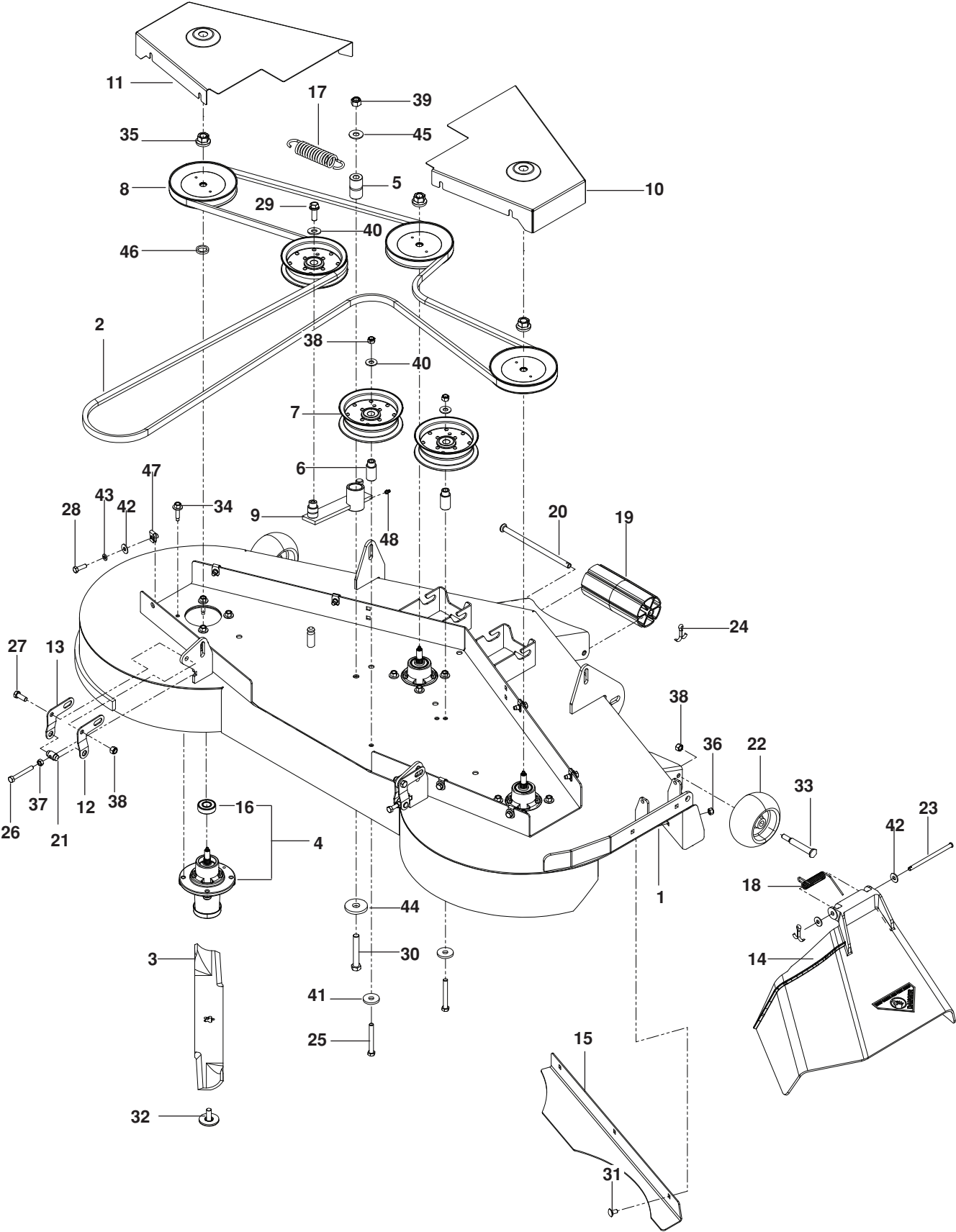
MOWER LIFT / DECK LIFT



MOWER LIFT / DECK LIFT

| ITEM | PART NO. | QTY. | DESCRIPTION | ITEM | PART NO. | QTY. | DESCRIPTION |
|------|-----------------|------|-------------------------|------|-----------------|------|-----------------------------|
| 1.. | 539 104808....4 | | PILLOW BLOCK | 22.. | 539 132182....1 | | PIN 1/2 x 1 1/2 DETENT RING |
| 2.. | 539 110808....2 | | LINK, DECK LIFT | 23.. | 539 991043..10 | | BUSHING .625 |
| 3.. | 539 118937....2 | | SPACER, IDLER | 24.. | 539 132851....1 | | GRIP |
| 4.. | 539 131861....1 | | SPACER | 25.. | 539 115501....6 | | PIN, COTTER 1 3/4 |
| 5.. | 581 215202....1 | | SHAFT, FRONT LIFT BLK | 26.. | 539 101721....4 | | HCS 5/16-18 x 2 3/4 |
| 6.. | 539 104807....2 | | REINFORCEMENT BAR | 27.. | 539 108181....2 | | HCS 1/2-13 x 1 3/4 GR 8 |
| 7.. | 539 131897....1 | | BELLCRANK, RR, LIFT BLK | 28.. | 539 107475....1 | | BOLT 5/16-18 x 3/4 THD FRM |
| 8.. | 539 131853....1 | | BELLCRANK, RR, RT BLK | 29.. | 539 101175....4 | | HCS 7/16-14 x 1 1/2 |
| 9.. | 539 112223....2 | | LINKAGE, STRUT | 30.. | 539 101341....1 | | HCS 3/8-16 x 3 |
| 10.. | 539 109693....4 | | LIFT CHAIN-3 LINK | 31.. | 539 990646....1 | | HCS 1/2-13 x 1 3/4 |
| 11.. | 539 131566....1 | | LATCH, TRANSPORT | 32.. | 539 108073....4 | | HCS 7/16-14 x 1 3/4 |
| 12.. | 539 105059....1 | | LANYARD | 33.. | 539 976941....4 | | HCS 3/8-16 X 1 1/4 |
| 13.. | 539 131791....1 | | MOUNT, SPRING | 34.. | 539 131781....1 | | HHFS 3/8-16 x 2 3/4 |
| 14.. | 539 132017....2 | | MOUNT, STRUT | 35.. | 539 101331....2 | | NUT 1/2 HEX NYLOC |
| 15.. | 539 131792....1 | | TAB, SPRING | 36.. | 539 112899....5 | | NUT 5/16-18 HEX FLG NYLOC |
| 16.. | 539 112896....1 | | J-BOLT | 37.. | 539 976979....4 | | NUT 3/8-16 HEX NYLOC |
| 17.. | 539 102642....1 | | SPRING | 38.. | 539 102582....8 | | NUT 7/16-14 HEX WHIZ LK |
| 18.. | 539 132734....1 | | SPRING, TORSION | 39.. | 539 132019....8 | | NUT 7/16-14 HEX WHIZ LK |
| 19.. | 539 131850....1 | | HEIGHT ADJUST, DECK | 40.. | 539 200282....2 | | NUT 3/8-16 HEX JAM NYLOC |
| 20.. | 539 131860....1 | | PIVOT LATCH, TRANSPORT | 41.. | 539 102843....1 | | WASHER 7/16 SPRING |
| 21.. | 510 408301....1 | | PEDAL, FOOT | 42.. | 539 109554....2 | | WASHER 1/2 FLT |

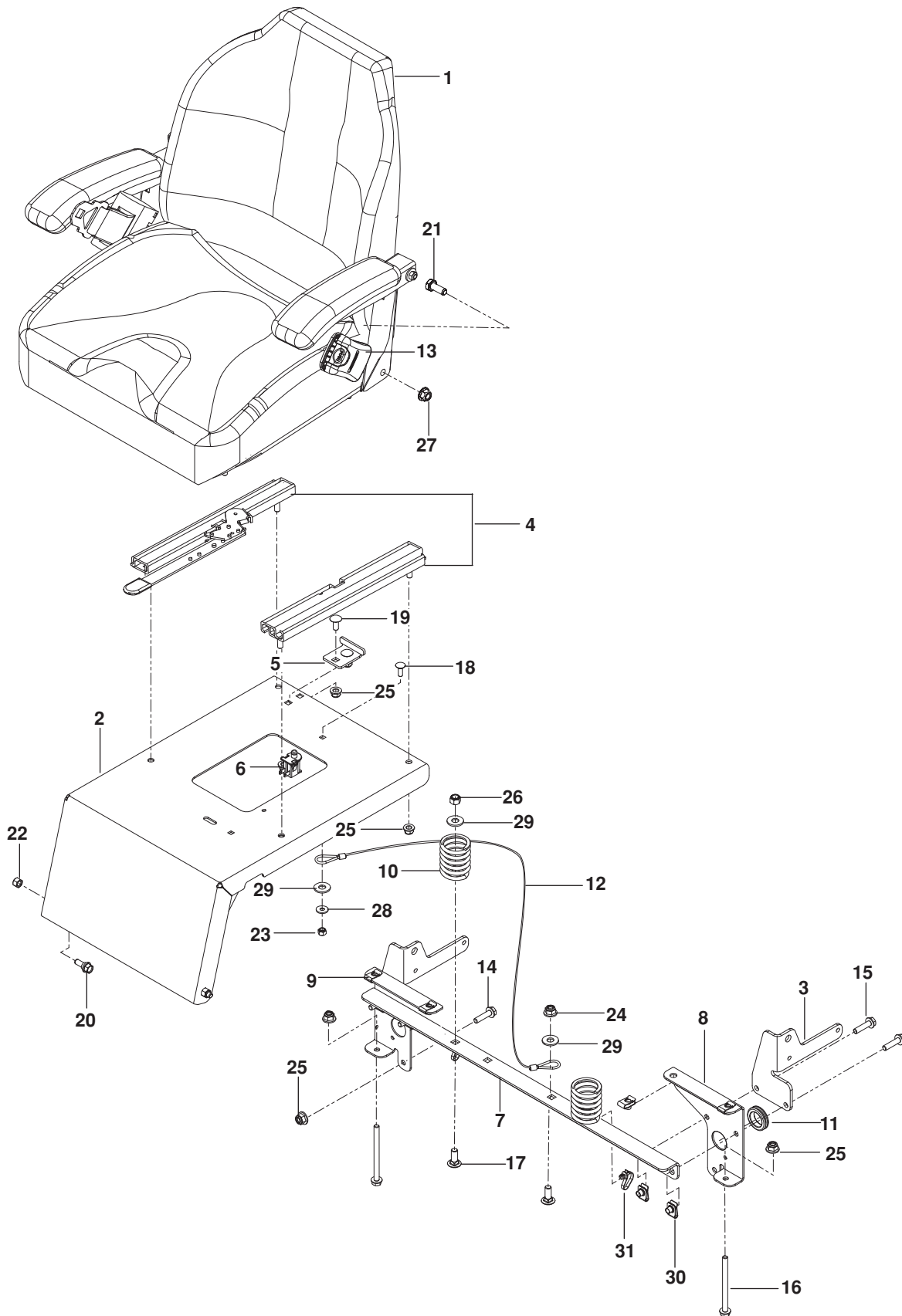
MOWER DECK / CUTTING DECK



MOWER DECK / CUTTING DECK

| ITEM | PART NO. | QTY. | DESCRIPTION | ITEM | PART NO. | QTY. | DESCRIPTION |
|------|----------------|------|--|------|----------------|------|---|
| 1.. | 581 505401.... | 1 | DECK w/ SAFETY DECALS | 25.. | 539 101341.... | 2 | HCS $\frac{3}{8}$ -16 x 3 |
| 2.. | 539 104335.... | 1 | BELT, DECK | 26.. | 539 108396.... | 2 | HCS $\frac{5}{16}$ -18 x 2 $\frac{1}{2}$ TPBLT |
| 3.. | 510 417901.... | 3 | BLADE, 21" | 27.. | 539 990563.... | 2 | HCS $\frac{3}{8}$ -16 x 1 |
| 4.. | 539 131898.... | 3 | HOUSING ASSEMBLY | 28.. | 539 976934.... | 8 | HCS $\frac{5}{16}$ -18 x $\frac{3}{4}$ |
| 5.. | 539 103427.... | 1 | BUSHING, PIVOT | 29.. | 539 990582.... | 1 | HCS $\frac{3}{8}$ -16 x 1 WHIZLK |
| 6.. | 539 112169.... | 2 | BUSHING, IDLER | 30.. | 539 103433.... | 1 | HCS $\frac{1}{2}$ -13 x 3 $\frac{1}{4}$ |
| 7.. | 539 132728.... | 3 | PULLEY, IDLER | 31.. | 539 990799.... | 3 | RHSNB $\frac{5}{16}$ -18 x $\frac{5}{8}$ |
| 8.. | 539 113300.... | 3 | PULLEY | 32.. | 532 193003.... | 3 | BOLT $\frac{7}{16}$ BLADE |
| 9.. | 539 112198.... | 1 | ARM, IDLER | 33.. | 539 107608.... | 2 | BOLT, SHOULDER |
| 10.. | 539 113319.... | 1 | BELT SHIELD, RT | 34.. | 539 107630.. | 12 | SCREW, WSH HEAD |
| 11.. | 539 113322.... | 1 | BELT SHIELD, LT | 35.. | 539 107590.... | 3 | NUT $\frac{9}{16}$ TOP CENTER LOCK |
| 12.. | 539 131857.... | 2 | PITCH ADJUST, RT | 36.. | 539 990717.... | 3 | NUT $\frac{5}{16}$ -18 HEX NYLOC |
| 13.. | 539 131858.... | 2 | PITCH ADJUST, LT | 37.. | 539 990196.... | 2 | NUT $\frac{5}{16}$ -18 HEX |
| 14.. | 539 110734.... | 1 | CHUTE, DISCHARGE | 38.. | 539 976979.... | 6 | NUT $\frac{3}{8}$ -16 HEX NYLOC |
| 15.. | 539 113317.... | 1 | PLATE, CONFINEMENT | 39.. | 539 101331.... | 1 | NUT $\frac{1}{2}$ HEX NYLOC |
| 16.. | 539 112050.... | 3 | BEARING, BALL | 40.. | 539 990517.... | 2 | WASHER $\frac{3}{8}$ FLAT STD |
| 17.. | 539 103256.... | 1 | SPRING | 41.. | 539 106504.... | 2 | WASHER, HEAVY |
| 18.. | 539 110735.... | 1 | SPRING, TORSION | 42.. | 539 990692.. | 10 | WASHER $\frac{5}{16}$ STD FLT |
| 19.. | 532 176066.... | 1 | ROLLER, NOSE | 43.. | 539 109600.... | 8 | WASHER $\frac{5}{16}$ SPRING |
| 20.. | 532 179127.... | 1 | ROD, ROLLER, NOSE | 44.. | 539 102243.... | 1 | WASHER, SUPPORT |
| 21.. | 539 131859.... | 2 | TRUNION, PITCH | 45.. | 539 990550.... | 1 | WASHER $\frac{1}{2}$ STD FLT |
| 22.. | 539 107610.... | 2 | WHEEL, GAUGE | 46.. | 539 107520.... | 3 | WASHER-SPACER |
| 23.. | 539 110736.... | 1 | PIN $\frac{5}{16}$ CLEVIS | 47.. | 539 104763.... | 8 | RETAINER, U TYPE $\frac{5}{16}$ -18 |
| 24.. | 539 990365.... | 2 | PIN, COTTER $\frac{1}{8}$ x $\frac{3}{4}$ | 48.. | 539 976998.... | 1 | ZERK |

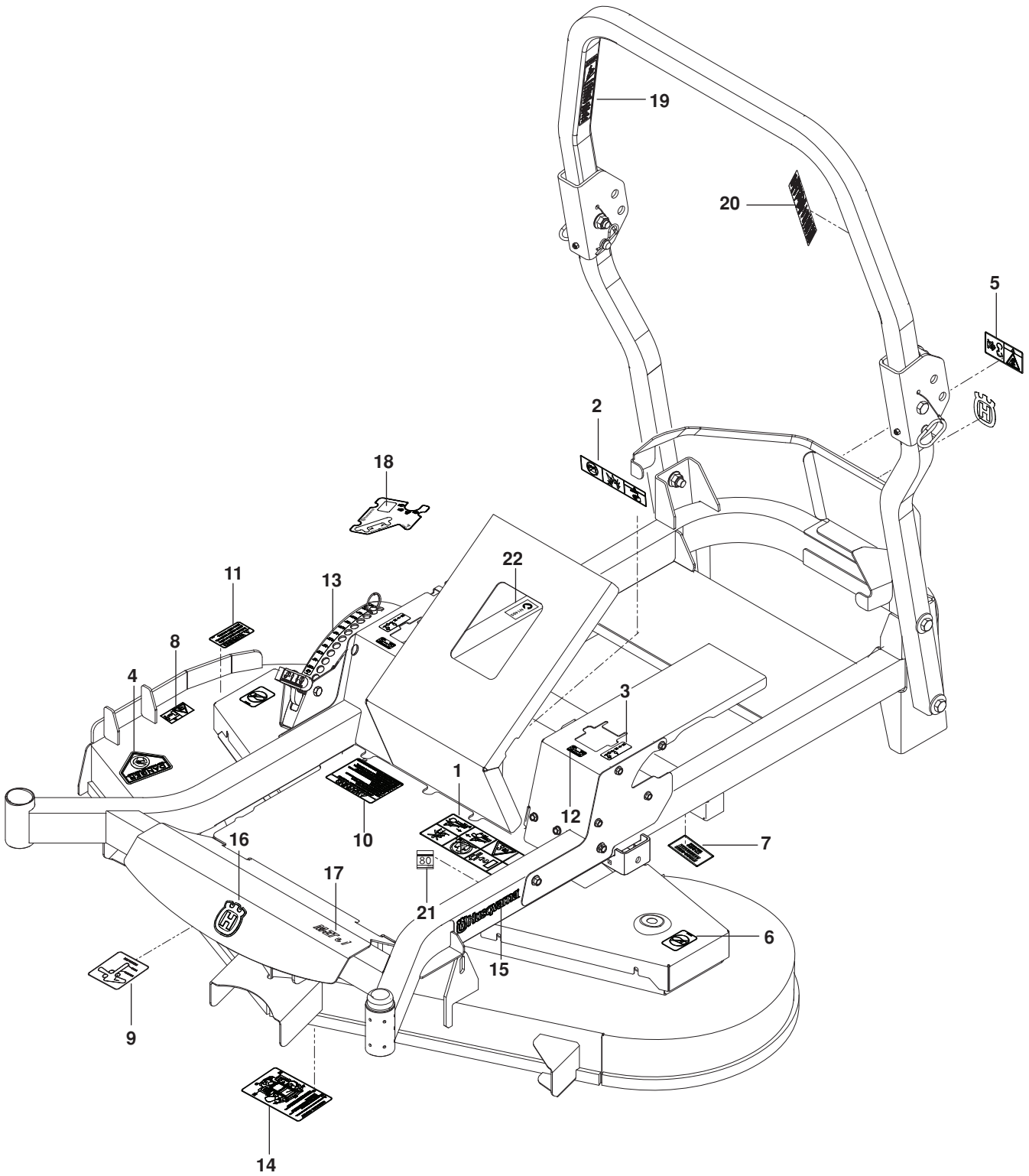
SEAT



SEAT

| ITEM | PART NO. | QTY. | DESCRIPTION | ITEM | PART NO. | QTY. | DESCRIPTION |
|------|----------------|------|--|------|----------------|------|--|
| 1.. | 576 702001.... | 1 | SEAT ASSY | 17.. | 539 990645.... | 3 | RHSNB $\frac{3}{8}$ -16 x 1 |
| 2.. | 575 608601.... | 1 | MOUNT, w/ SAFETY DECAL | 18.. | 539 990074.... | 1 | RHSNB $\frac{1}{4}$ -20 x $\frac{3}{4}$ |
| 3.. | 575 017402.... | 2 | MOUNT, SEAT BELT | 19.. | 539 109100.... | 2 | RHSNB $\frac{5}{16}$ -18 x $\frac{3}{4}$ |
| 4.. | 576 702004.... | 1 | ADJUSTMENT TRACK ASSY | 20.. | 539 130896.... | 2 | BOLT $\frac{5}{16}$ -18 SHOULDER |
| 5.. | 539 130793.... | 1 | DECK STOP | 21.. | 539 100413.... | 2 | HCS $\frac{7}{16}$ -14 x 1 |
| 6.. | 539 119741.... | 1 | SWITCH, SEAT | 22.. | 539 990717.... | 2 | NUT $\frac{5}{16}$ -18 HEX NYLOC |
| 7.. | 539 131656.... | 1 | SUPPORT, SEAT BLK | 23.. | 539 976978.... | 1 | NUT $\frac{1}{4}$ -20 HEX NYLOC |
| 8.. | 575 224002.... | 1 | SUPPORT, RT BLK | 24.. | 521 996501.... | 1 | NUT $\frac{3}{8}$ -16 FLG HEX NYLOC |
| 9.. | 575 224102.... | 1 | SUPPORT, LT BLK | 25.. | 539 112899.. | 10 | NUT $\frac{5}{16}$ -18 FLG HEX NYLOC |
| 10.. | 539 110300.... | 2 | SPRING, SEAT BLK | 26.. | 539 976979.... | 2 | NUT $\frac{3}{8}$ -16 HEX NYLOC |
| 11.. | 539 105974.... | 1 | GROMMET RUBBER | 27.. | 539 132019.... | 2 | NUT $\frac{7}{16}$ -14 HEX WHIZ LK |
| 12.. | 539 103247.... | 1 | LANYARD, SEAT | 28.. | 539 990598.... | 1 | WASHER $\frac{1}{4}$ FLAT |
| 13.. | 576 783401.... | 1 | SEAT BELT ASSY | 29.. | 539 990517.... | 4 | WASHER $\frac{3}{8}$ FLAT STD |
| 14.. | 525 464701.... | 2 | HHFS $\frac{5}{16}$ -18 x $\frac{3}{4}$ | 30.. | 539 104763.... | 8 | RETAINER, U TYPE $\frac{5}{16}$ -18 |
| 15.. | 525 544001.... | 4 | HHFS $\frac{5}{16}$ -18 x $1\frac{1}{4}$ TPBLT | 31.. | 505 280001.... | 2 | TIE WRAP w/ CLIP |
| 16.. | 539 131780.... | 2 | HHFS $\frac{5}{16}$ -18 x $3\frac{3}{4}$ | | | | |

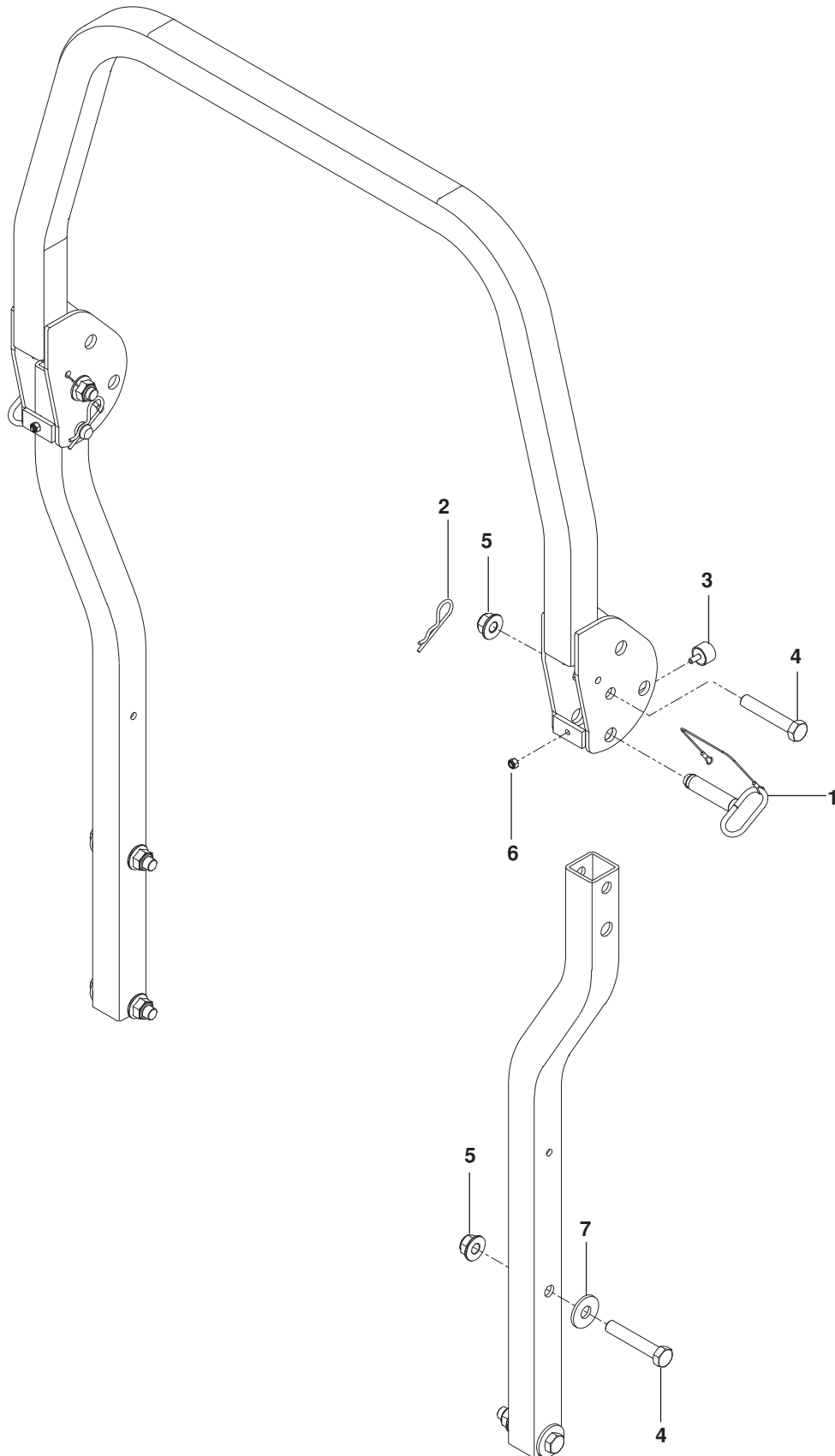
DECALS



DECALS

| ITEM | PART NO. | QTY. | DESCRIPTION | ITEM | PART NO. | QTY. | DESCRIPTION |
|------|------------|-------|----------------------------|-----------|------------|-------|--------------------------|
| 1.. | 539 107959 | ...1 | ...DECAL, WARNING | 13.. | 539 132039 | ...1 | ...DECAL, HEIGHT ADJUST |
| 2.. | 539 105745 | ...1 | ...DECAL, BATTERY WARNING | 14.. | 539 132187 | ...1 | ...DECAL, SERVICE |
| 3.. | 539 103333 | ...2 | ...DECAL, MOTION CONTROL | 15.. | 532 429196 | ...2 |DECAL, HUSQVARNA |
| 4.. | 539 913010 | ...1 | ...DECAL, BLADE WARNING | 16.. | 532 428676 | ...2 |DECAL, CROWN H |
| 5.. | 539 105744 | ...1 | ...DECAL, DANGER BLT DRIVE | 17.. | 581 513701 |1 |DECAL, M-ZT61 |
| 6.. | 539 105743 | ...2 | ...DECAL, NO STEP | 18.. | 574 841103 |1 |DECAL, CONSOLE |
| 7.. | 574 815501 |1 |DECAL, HYDROGEAR | 19.. | 574 569002 |1 |DECAL, ROPS, WARNING |
| 8.. | 539 105746 | ...1 | ...DECAL, SEVERING | 20.. | 574 569005 |1 |DECAL.ROPS |
| 9.. | 539 112620 | ...1 | ...DECAL, BELT ROUTING | 21.. | 532 124433 |1 |DECAL, DBA |
| 10.. | 539 113213 | ...1 | ...DECAL, WARNING | 22.. | 539 110279 |1 |DECAL, ECM |
| 11.. | 539 113224 | ...1 | ...DECAL, DEFLECTOR | NOT SHOWN | | | |
| 12.. | 539 110974 | ...2 | ...DECAL, TRACKING | | 532 121322 | ...1 | PAD, ABRASIVE SM |

PROTECTION FRAME

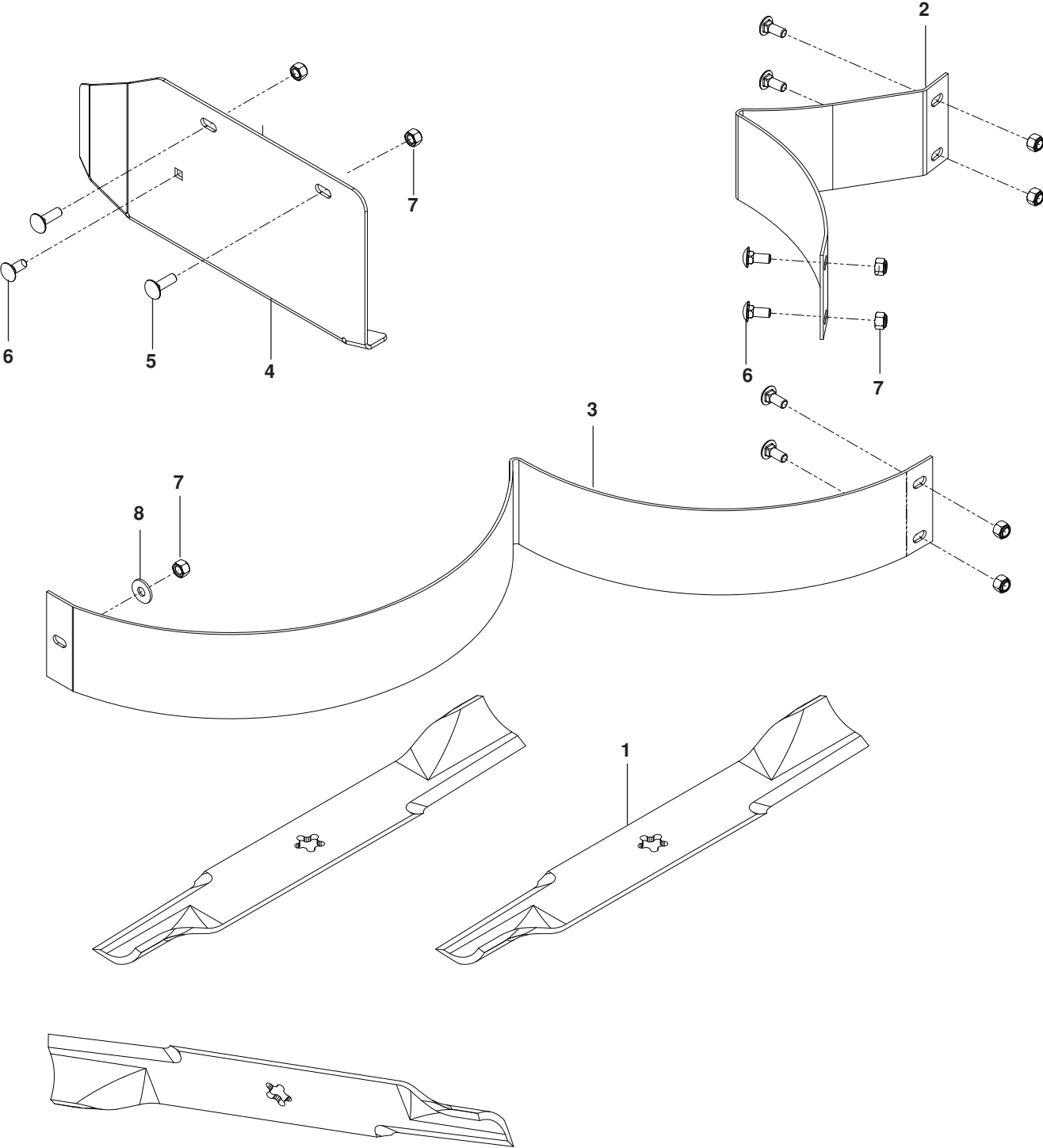


PROTECTION FRAME

| ITEM | PART NO. | QTY. | DESCRIPTION | ITEM | PART NO. | QTY. | DESCRIPTION |
|------|-----------------|------|---|------|-----------------|------|---------------------------------|
| 1.. | 574 388001....2 | | PIN w/ CABLE | 5.. | 525 829101....6 | | NUT $\frac{5}{8}$ -11 FLG NYLOC |
| 2.. | 539 200715....2 | | HAIR PIN #210 | 6.. | 539 976978....2 | | NUT $\frac{1}{4}$ -20 HEX NYLOC |
| 3.. | 522 801401....2 | | BUMPER, MALE STUD $\frac{1}{4}$ -20 | 7.. | 539 102653....4 | | WASHER $\frac{5}{8}$ STD FLAT |
| 4.. | 580 754601....6 | | HCS $\frac{5}{8}$ -11 x 3 $\frac{1}{2}$ | | | | |

ACCESSORIES

MULCH KIT



ACCESSORIES

| ITEM | PART NO. | QTY. | DESCRIPTION |
|------|-----------------|------|------------------|
| 1.. | 521 981601....3 | | BLADE, 21" GATOR |
| 2.. | 539 113313....1 | | BAFFLE, LEFT |
| 3.. | 539 113315....1 | | BAFFLE, RIGHT |
| 4.. | 539 113327....1 | | MULCH CAP |

| ITEM | PART NO. | QTY. | DESCRIPTION |
|------|-----------------|------|--|
| 5.. | 539 990208....2 | | RHSNB ⁵ / ₁₆ -18 x 1 GR5 |
| 6.. | 539 990316....7 | | RHSNB ⁵ / ₁₆ -18 x ³ / ₄ GR5 |
| 7.. | 539 990717....9 | | NUT ⁵ / ₁₆ -18 NYLOC |
| 8.. | 539 990692....1 | | WASHER ⁵ / ₁₆ |

