

Gasoline containing up to 10% ethanol (E10) is acceptable for use in this machine. The use of any gasoline exceeding 10% ethanol (E10) will void the product warranty.

Parts Manual

MZ61 / 967277502



Please read the operator's manual carefully and make sure you understand the instructions before using the machine.

When you need spare parts or support in service questions, warranty issues, etc., please consult the following professional:

This manual belongs to the machine with the manufacturing number:	Engine	Transmission

Manufacturing Number

The machine's manufacturing number can be found on the printed plate affixed to the engine compartment.

Stated on the plate, from the top are:

- The machine's type designation (I.D.).
- The manufacturer's type number (Model).
- The machine's serial number (Serial no.)

Please have the type designation and serial number available when ordering spare parts.

The engine's manufacturing number is stamped on one of the valve covers.

The plate states:

- The engine's model.
- The engine's type.
- Code

Please have these available when ordering spare parts.

The wheel motors and hydrostatic pumps have a barcode decal affixed at the rear.

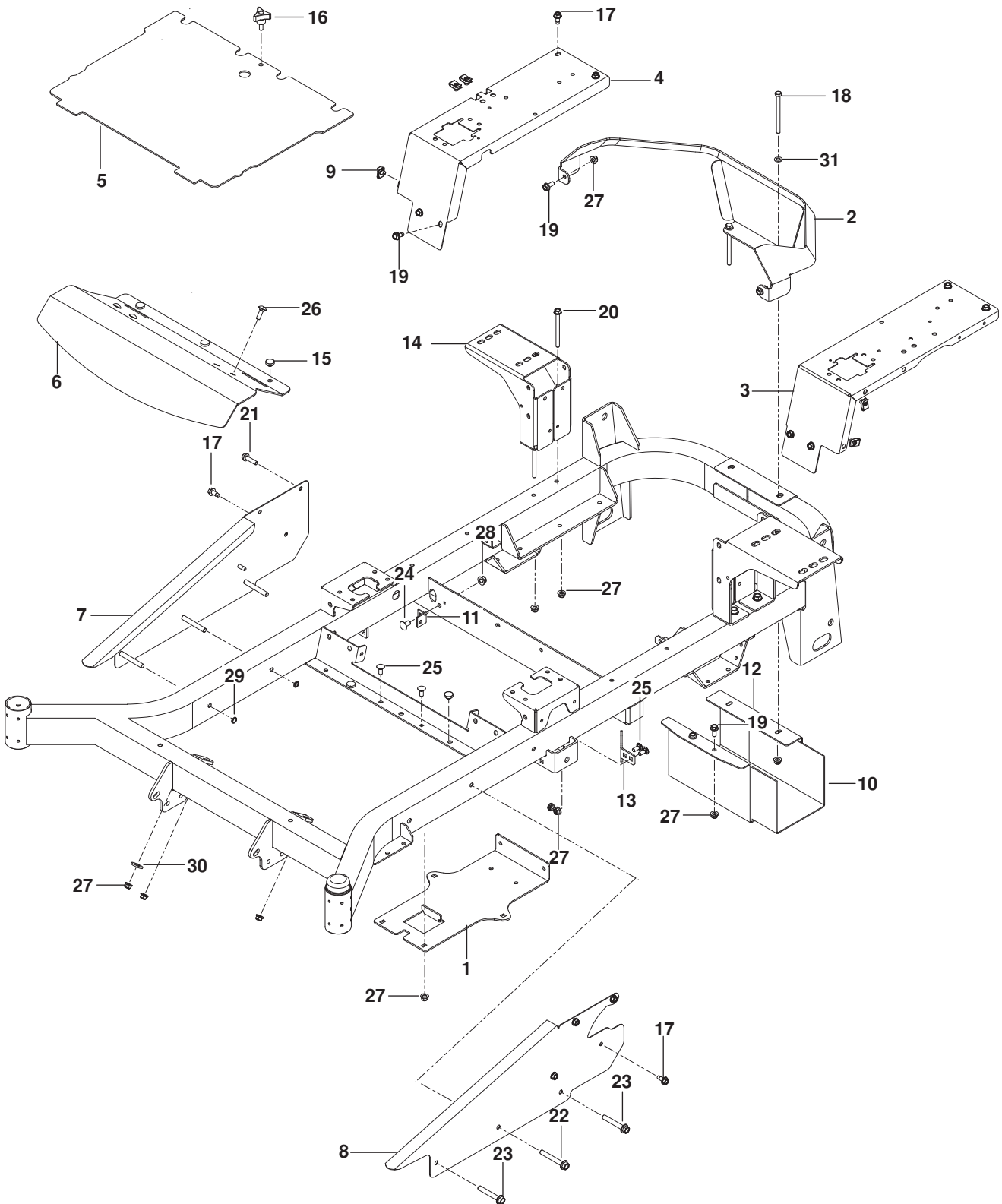
Accessories Available	
Collection System -----	966 793101
Mulch Kit -----	965 894002

CONTENTS

FRAME.....	4	SEAT	22
ENGINE PLATE.....	6	DECALS	24
STEERING	8	ACCESSORIES.....	26
IGNITION.....	10	Blower	26
PARKING BRAKE	12	Bagger	28
HYDRAULIC PUMP-MOTOR.....	14	Chutes.....	30
WHEELS	16	Guards, Mount and Belt.....	32
MOWER LIFT / DECK LIFT.....	18	Mulch Kit	34
MOWER DECK / CUTTING DECK	20		

NOTE: ALL FASTENERS ARE GRADE 5 UNLESS OTHERWISE SPECIFIED.

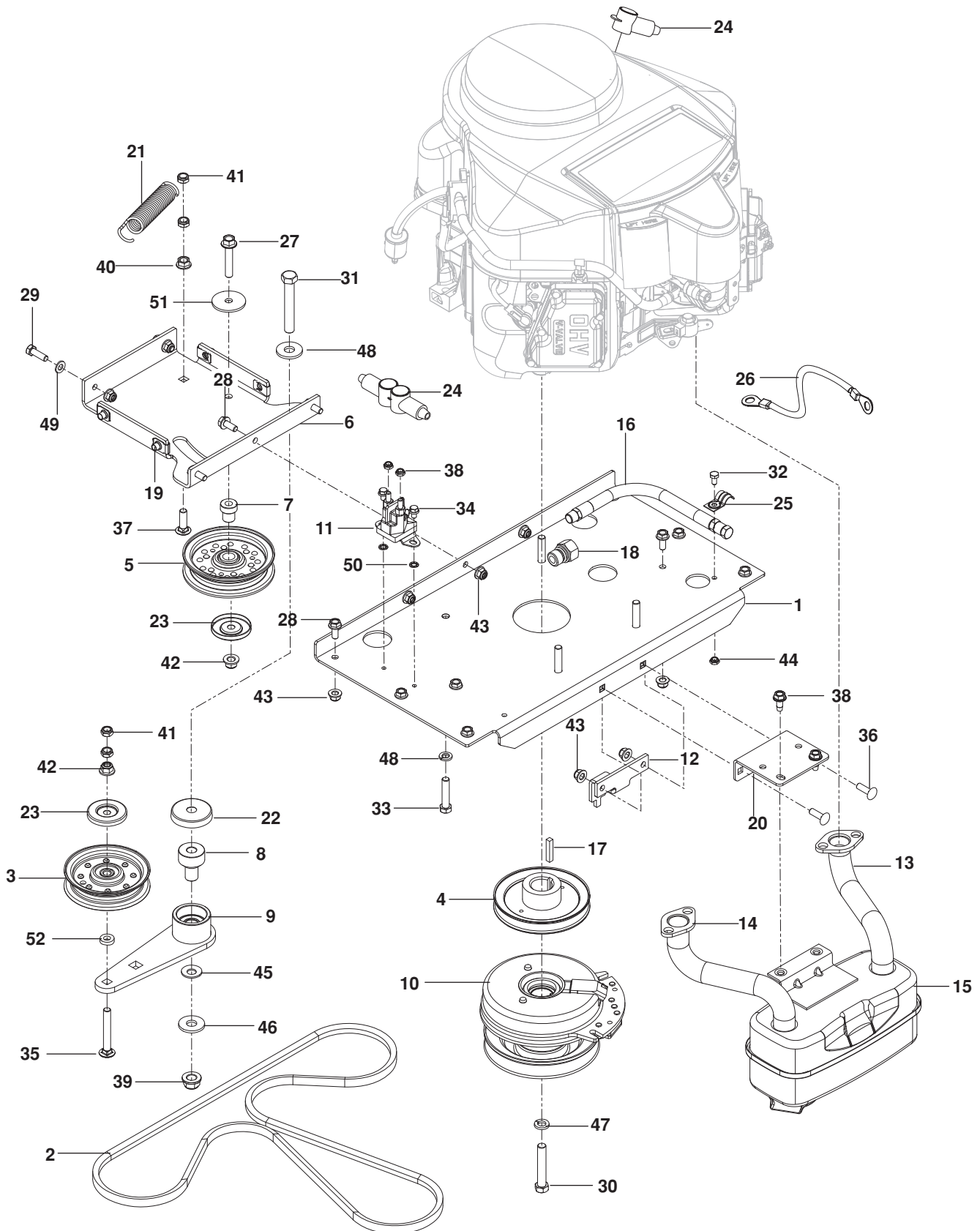
FRAME



FRAME

ITEM	PART NO.	QTY.	DESCRIPTION	ITEM	PART NO.	QTY.	DESCRIPTION
1..	575 017202....1	PLATE, BATTERY, BLK	17..	539 107475..12	BOLT $5/16$ -18 x $3/4$ THD FRM
2..	575 348402....1	GUARD, REAR GRY	18..	539 102335....2	HCS $5/16$ -18 x 4
3..	577 256802....1	PANEL, LT ORG	19..	525 464701....5	HHFS $5/16$ -18 x $3/4$
4..	577 256902....1	PANEL, RT ORG	20..	539 131780....4	HHFS $5/16$ -18 x $33/4$
5..	539 132744....1	PLATE w/ SAFTY DECAL	21..	525 544001....1	HHFS $5/16$ -18 x $11/4$ TPBLT
6..	539 132380....1	PLATE, FOOTREST ORG	22..	539 131781....2	HHFS $3/8$ -16 x $23/4$
7..	539 131579....1	SIDE, RT ORG	23..	539 133006....4	HHFS $3/8$ -16 x $21/2$
8..	539 131577....1	SIDE, LT ORG	24..	539 109117....2	RHSNB $3/8$ -16 x $3/4$
9..	539 104763....8	RETAINER, U TYPE $5/16$ -18	25..	539 990316....6	RHSNB $5/16$ -18 x $3/4$
10..	539 132859....1	SHIELD, HEAT	26..	539 990208....3	RHSNB $5/16$ -18 x 1
11..	575 245202....2	BRACKET, DAMPENER	27..	539 112899..12	NUT $5/16$ -18 HEX FLANGE NYL
12..	575 230402....1	SHIELD, MUFFLER BLK	28..	521 996501....2	NUT $3/8$ -16 HEX FLG NYLOC
13..	505 256401....2	STOP, DECK	29..	539 200282....6	NUT $3/8$ -16 HEX JAM NYLOC
14..	575 533602....2	MOUNT, TANK BLK	30..	539 990250....1	WASHER
15..	539 102587....5	BUMPER	31..	539 990188....2	WASHER $5/16$ SAE FLAT
16..	539 104411....1	KNOB w/ STUD				

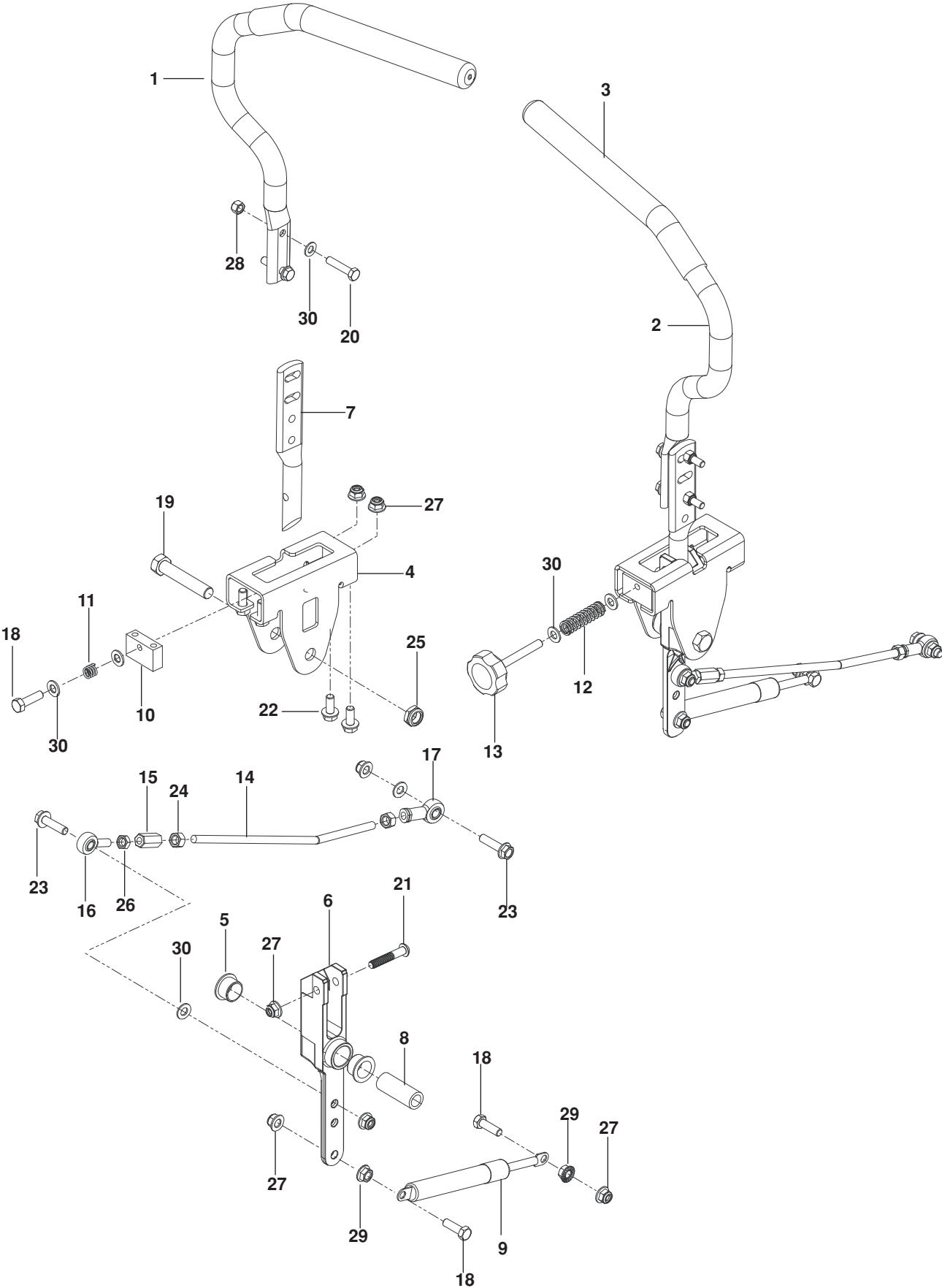
ENGINE PLATE



ENGINE PLATE

ITEM	PART NO.	QTY.	DESCRIPTION	ITEM	PART NO.	QTY.	DESCRIPTION
1..	575 608801....	1 PLATE, ENGINE w/ DECAL	28..	874 490512..	11 HHFS $\frac{5}{16}$ -18 x $\frac{3}{4}$
2..	574 870901....	1 BELT	29..	539 990209....	2 HCS $\frac{5}{16}$ -18 x 1
3..	532 175820....	1 PULLEY, IDLER SECONDARY	30..	581 332802....	1 HCS $\frac{7}{16}$ -20 x 2
4..	574 811001....	1 PULLEY, V $1\frac{1}{8}$ BORE	31..	539 103433....	1 HCS $\frac{1}{2}$ -13 x $3\frac{1}{4}$
5..	539 976688....	1 PULLEY, IDLER	32..	539 990071....	1 HCS $\frac{1}{4}$ -20 x $\frac{1}{2}$
6..	574 846402....	1 PLATE, IDLER SUPPORT	33..	539 976949....	4 HCS $\frac{3}{8}$ -16 x $1\frac{3}{4}$
7..	525 435601....	1 PIVOT, IDLER	34..	539 990302....	2 SCREW $\frac{1}{4}$ x $\frac{3}{8}$ THD FRM
8..	510 206301....	1 PIVOT, BEARING	35..	539 130235....	1 RHSNB $\frac{3}{8}$ -16 x $2\frac{3}{4}$
9..	510 041603....	1 ARM, IDLER w/ BEARINGS	36..	539 107271....	2 RHSNB $\frac{5}{16}$ -18 x 1
10..	574 607001....	1 CLUTCH, 200 FT-LB	37..	539 100413....	1 RHSNB $\frac{3}{8}$ -16 x $1\frac{1}{4}$
11..	539 101714....	1 SOLENOID	38..	539 107475....	2 BOLT $\frac{5}{16}$ -18 x $\frac{3}{4}$ THD FRM
12..	575 017302....	1 STOP, CLUTCH	39..	521 991101....	1 NUT $\frac{1}{2}$ -13 HEX FLG NYLOC
13..	583 955701....	1 EXHAUST TUBE, RT	40..	539 990613....	1 NUT $\frac{3}{8}$ -16 HEX WHIZLK
14..	583 955601....	1 EXHAUST TUBE, LT	41..	539 200282....	4 NUT $\frac{3}{8}$ -16 HEX JAM NYLOC
15..	539 131604....	1 MUFFLER ASM TWIN	42..	521 996501....	2 NUT $\frac{3}{8}$ -16 HEX FLG NYLOC
16..	584 825501....	1 HOSE, DRAIN	43..	539 112899..	15 NUT $\frac{5}{16}$ -18 HEX FLG NYLOC
17..	539 912757....	1 KEY $\frac{1}{4}$ SQ x $1\frac{1}{4}$	44..	539 108120....	3 NUT $\frac{1}{4}$ -20 HEX THIN NYLOC
18..	522 599001....	1 ADAPTER	45..	539 115528....	1 WASHER $\frac{1}{2}$ " BELLEVILLE
19..	539 104763....	4 RETAINER, U TYPE	46..	539 109554....	2 WASHER $\frac{1}{2}$ FLAT ZD
20..	575 229902....	1 BRACKET, MUFFLER, BLK	47..	539 990247....	1 WASHER $\frac{7}{16}$ SLW
21..	510 254401....	1 SPRING, PUMP	48..	539 990118....	1 WASHER $\frac{3}{8}$ SPLT LK
22..	539 114662....	1 SHIELD, DUST	49..	539 990188....	2 WASHER $\frac{5}{16}$ SAE FLAT
23..	510 254501....	2 SHIELD, DUST	50..	539 990053....	2 WASHER $\frac{1}{4}$ INT TOOTH LK
24..	539 102759....	3 INSULATOR	51..	539 111897....	1 WASHER, SPECIAL
25..	539 101363....	1 CLAMP	52..	539 109562....	1 WASHER $\frac{3}{8}$ x $\frac{3}{4}$
26..	539 102757....	1 CABLE	NOT SHOWN			
27..	874 490632....	1 HHFS $\frac{3}{8}$ -16 x 2	575 018301....	1 PIGTAIL	

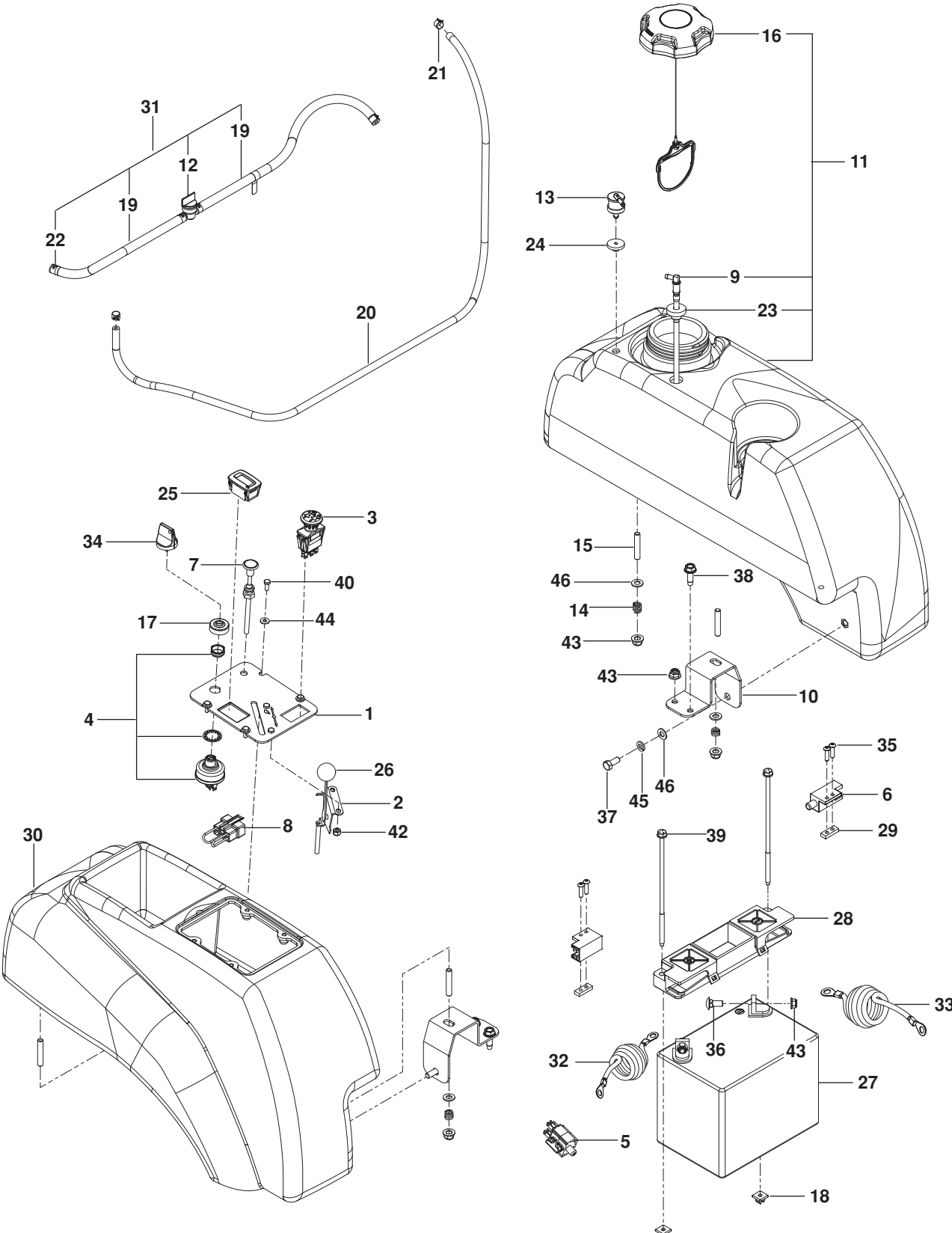
STEERING



STEERING

ITEM	PART NO.	QTY.	DESCRIPTION	ITEM	PART NO.	QTY.	DESCRIPTION
1..	539 132009....1	LEVER w/ GRIP RT	16..	539 116690....2	ROD END LT
2..	539 132010....1	LEVER w/ GRIP LT	17..	539 115729....2	ROD END RT
3..	539 130894....2	GRIP, FOAM	18..	539 990627....5	HCS $\frac{5}{16}$ -18 x $1\frac{1}{4}$
4..	577 251701....2	BRACKET, CONTROL	19..	539 101332....2	HCS $\frac{1}{2}$ -13 x $2\frac{3}{4}$
5..	539 131518....4	BEARING, FLANGE	20..	539 976935....4	HCS $\frac{5}{16}$ -18 x $1\frac{1}{2}$
6..	576 140301....2	LEVER, CONTROL	21..	576 850402....2	SCREW $\frac{5}{16}$ -18 X $1\frac{3}{4}$ BTN HD
7..	577 420001....2	LEVER, HANDLE	22..	525 464701....8	HHFS $\frac{5}{16}$ -18 X $\frac{3}{4}$
8..	577 252401....2	SPACER, PIVOT CONTROL	23..	525 544001....4	HHFS $\frac{5}{16}$ -18 x $1\frac{1}{4}$ TPBLT
9..	539 102720....2	DAMPENER	24..	539 990223....4	NUT $\frac{5}{16}$ -24 HEX
10..	577 251801 ...2	BLOCK, TRACKING	25..	539 108010....2	NUT $\frac{1}{2}$ -13 HEX JAM NYL GR2
11..	539 102845....1	SPRING	26..	539 991073....2	NUT $\frac{5}{16}$ -24 HEX JAM LH
12..	576 850301....1	SPRING	27..	539 112899..10	NUT $\frac{5}{16}$ -18 HEX FLG NYLOC
13..	539 131799....1	KNOB	28..	539 990717....6	NUT $\frac{5}{16}$ -18 HEX NYLOC
14..	574 811401....2	ROD, MOTION CONTROL	29..	539 990585....4	NUT $\frac{5}{16}$ -18 HEX WHIZLK
15..	539 116689....2	COUPLER, ROD END	30..	539 990188..12	WASHER $\frac{5}{16}$ SAE FLT

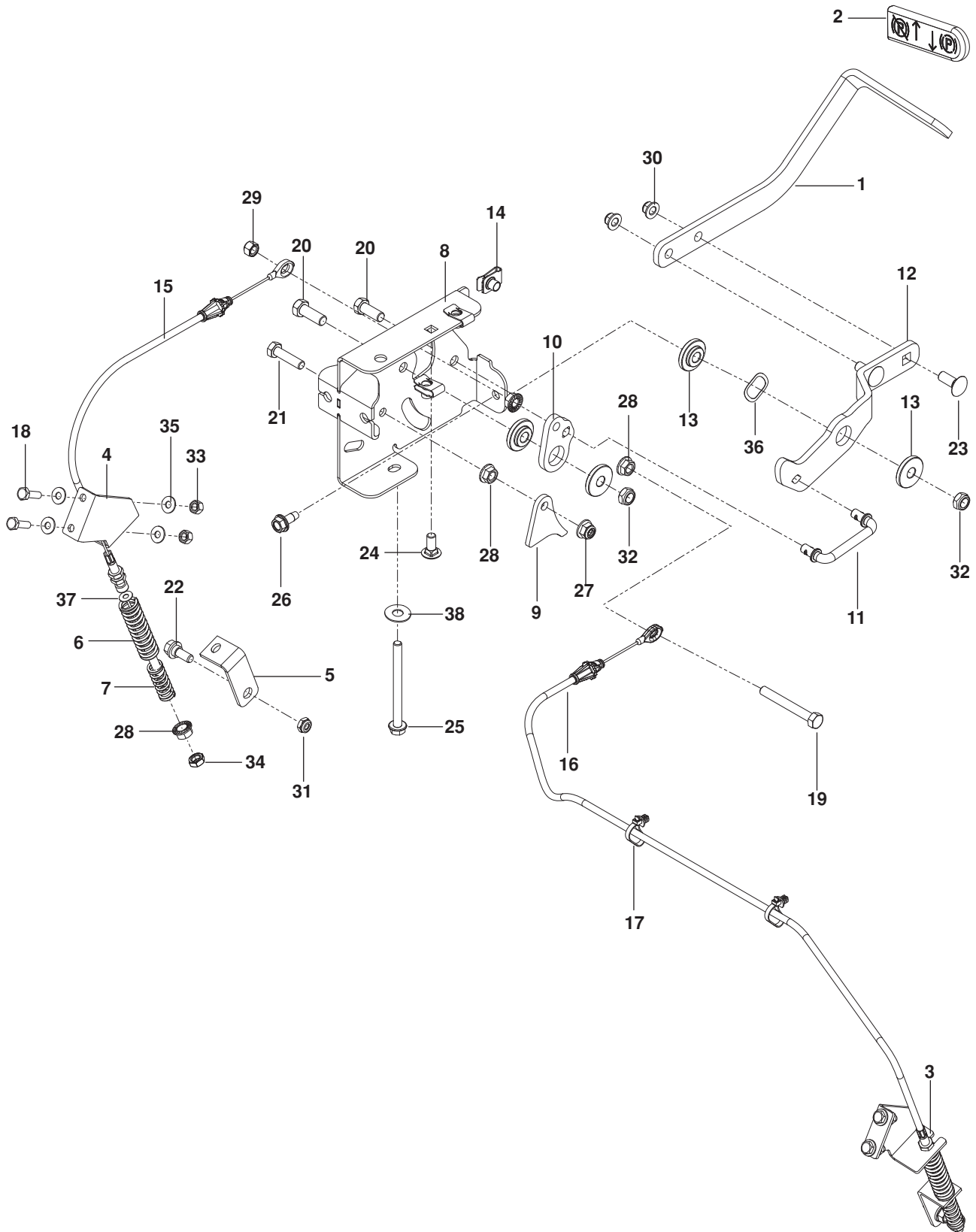
IGNITION



IGNITION

ITEM	PART NO.	QTY.	DESCRIPTION	ITEM	PART NO.	QTY.	DESCRIPTION
1..	574 841204....	1 PLATE, CONSOLE, BLK	25..	532 401763....	1 SERVICE MINDER
2..	539 112438....	1 CABLE, THROTTLE	26..	539 133049....	1 KNOB
3..	539 131627....	1 SWITCH, PTO 10 AMP	27..	539 102436....	1 BATTERY
4..	574 455401....	1 SWITCH, IGNITION	28..	539 107628....	1 GUARD, TERMINAL
5..	539 113792....	1 SWITCH, BRAKE	29..	539 102678....	2 PLATE, TAPPED
6..	532 109553....	2 SWITCH, INTERLOCK	30..	539 107593....	1 CONSOLE, RT
7..	539 112439....	1 CHOKE CONTROL	31..	576 547801....	1 ASSY, FUEL LINE
8..	575 321001....	1 PLUG, TIMER	32..	539 104974....	1 CABLE, POSITIVE 31"
9..	576 469201....	1 FITTING, FUEL	33..	539 107645....	1 CABLE, NEGATIVE 32"
10..	539 131671....	2 SUPPORT, TANK, BLK	34..	574 455501....	1 KEY, IGNITION
11..	578 368102....	1 TANK ASSY LT	35..	574 822701....	4 SCREW #10-24 x 3/4 SKT HD
12..	539 916325....	1 VALVE, FUEL	36..	539 990316....	2 RHSNB 5/16-18 x 3/4
13..	576 618101....	1 VALVE, FUEL CHECK	37..	539 976934....	2 HCS 5/16-18 x 3/4
14..	539 102845....	6 SPRING	38..	539 113226....	3 BOLT 5/16-18 x 1 THD FRM
15..	539 102502....	6 STUD 5/16-18	39..	539 107632....	2 BOLT 1/4 x 7/2
16..	575 018101....	1 FUEL CAP w /TETHER	40..	539 990411....	6 SCREW #10-24 x 1/2 SLT
17..	539 103178....	1 CAP, IGNITION SWITCH NUT	41..	574 822701....	4 SCREW #10-24 x 3/4 SKT HD
18..	539 107629....	2 PUSH NUT, NYLON	42..	539 976977....	2 NUT #10-24 HEX NYLOC
19..	539 932956....	2 HOSE, FUEL 10"	43..	539 112899..	12 NUT 5/16-18 HEX FLANGE NYL
20..	576 660609....	1 HOSE 3/16 VAPOR 27"	44..	539 105408....	4 WASHER #10
21..	575 436501....	2 CLAMP, HOSE	45..	539 990187....	2 WASHER 5/16 SLW
22..	539 912222....	4 CLAMP, HOSE	46..	539 990188....	8 WASHER 5/16 SAE
23..	539 105245....	1 GROMMET, RUBBER	NOT SHOWN			
24..	576 618201....	1 GROMMET, CHECK VALVE	575 320901....	1 HARNESS, MAIN	

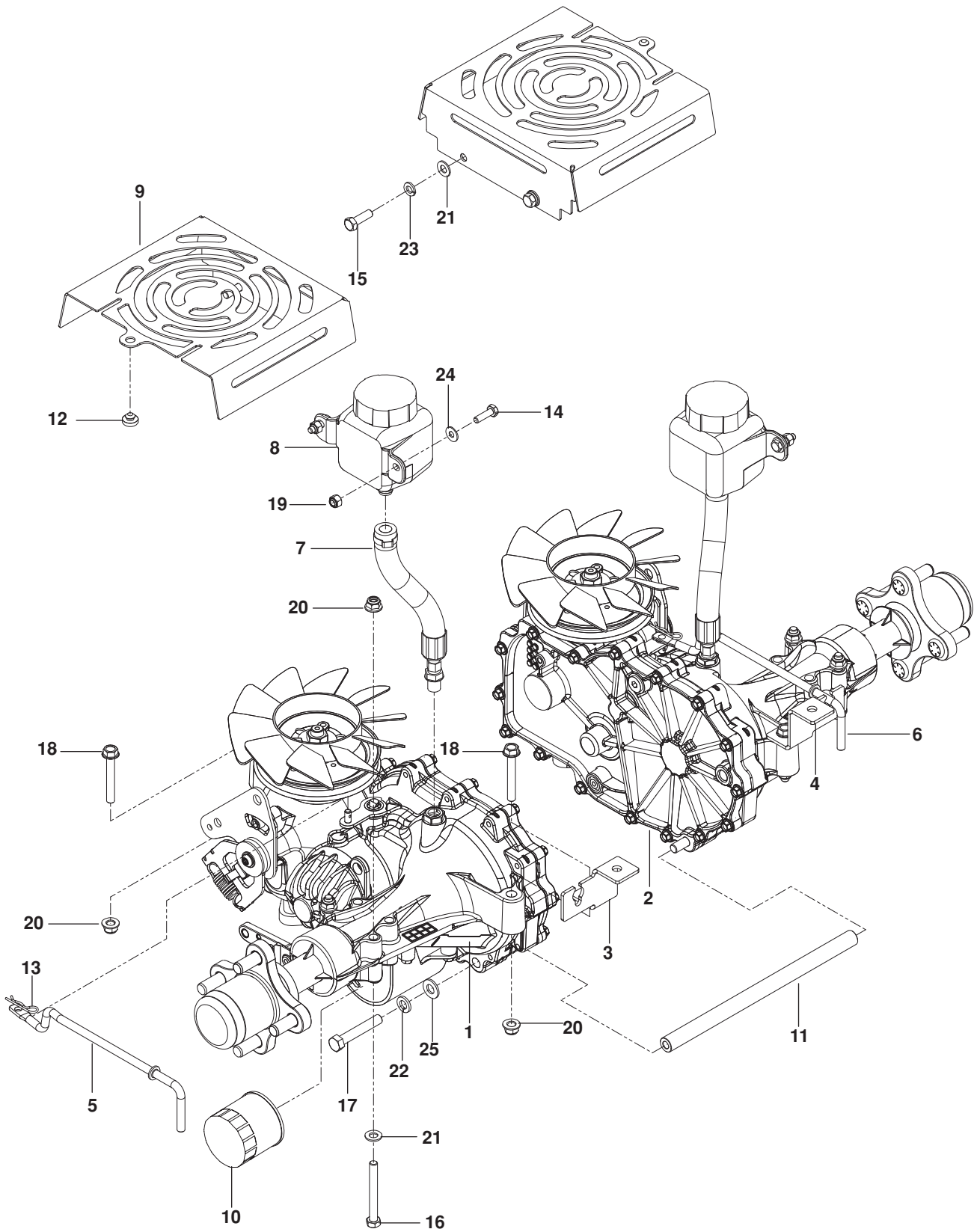
PARKING BRAKE



PARKING BRAKE

ITEM	PART NO.	QTY.	DESCRIPTION	ITEM	PART NO.	QTY.	DESCRIPTION
1..	539 132151....	1	ARM, BRAKE BLK	20..	539 990563....	2	HCS $\frac{3}{8}$ -16 x 1
2..	539 105036....	1	GRIP, BRAKE HANDLE	21..	539 990209....	1	HCS $\frac{5}{16}$ -18 x 1
3..	575 229602....	1	BRACKET, RT BLK	22..	539 110303....	2	BOLT $\frac{5}{16}$ SHOULDER
4..	575 229702....	1	BRACKET, LT BLK	23..	539 990645....	2	RHSNB $\frac{3}{8}$ -16 x 1
5..	575 229802....	2	BRACKET, BRAKE BLK	24..	539 990316....	1	RHSNB $\frac{5}{16}$ -18 x $\frac{3}{4}$
6..	575 230201....	2	SPRING, RETURN	25..	539 131780....	1	HHFS $\frac{5}{16}$ -18 x $3\frac{3}{4}$
7..	575 230301....	2	SPRING, ENGAGEMENT	26..	539 107475....	1	BOLT $\frac{5}{16}$ -18 x $\frac{3}{4}$ THD FRM
8..	539 132158....	1	MOUNT, BRAKE BLK	27..	539 112899....	4	NUT $\frac{5}{16}$ -18 FLANGE NYLOC
9..	539 132154....	1	ACTUATOR, SWITCH	28..	539 990585....	5	NUT $\frac{5}{16}$ -18 HEX WHIZLK
10..	539 132153....	1	BELLCRANK, BRAKE	29..	539 990717....	1	NUT $\frac{5}{16}$ -18 HEX NYLOC
11..	539 132424....	1	LINKAGE, BRAKE	30..	521 996501....	2	NUT $\frac{3}{8}$ -16 HEX FLG NYLOC
12..	539 132423....	1	LEVER, BRAKE	31..	539 115617....	2	NUT $\frac{5}{16}$ HEX NYLOC
13..	539 132161....	4	BUSHING, BRAKE	32..	539 200282....	2	NUT $\frac{3}{8}$ -16 HEX JAM NYLOC
14..	539 104763....	3	RETAINER, U TYPE $\frac{5}{16}$ -18	33..	539 976978....	4	NUT $\frac{1}{4}$ -20 HEX NYLOC
15..	539 132173....	1	CABLE, BRAKE SHORT	34..	539 107897....	2	NUT $\frac{5}{16}$ -18 HEX JAM
16..	539 132174....	2	CABLE, BRAKE LONG	35..	539 990055....	8	WASHER $\frac{1}{4}$ SAE FLT
17..	505 280001....	2	TIE w/ CLIP	36..	539 133007....	1	WASHER .825 WAVE
18..	539 990643....	4	HCS $\frac{1}{4}$ -20 x $\frac{7}{8}$	37..	539 990122....	2	WASHER $\frac{3}{8}$ SAE
19..	539 108396....	1	HCS $\frac{5}{16}$ -18 x $2\frac{1}{2}$ TPBLT	38..	539 109554....	1	WASHER $\frac{1}{2}$ FLAT

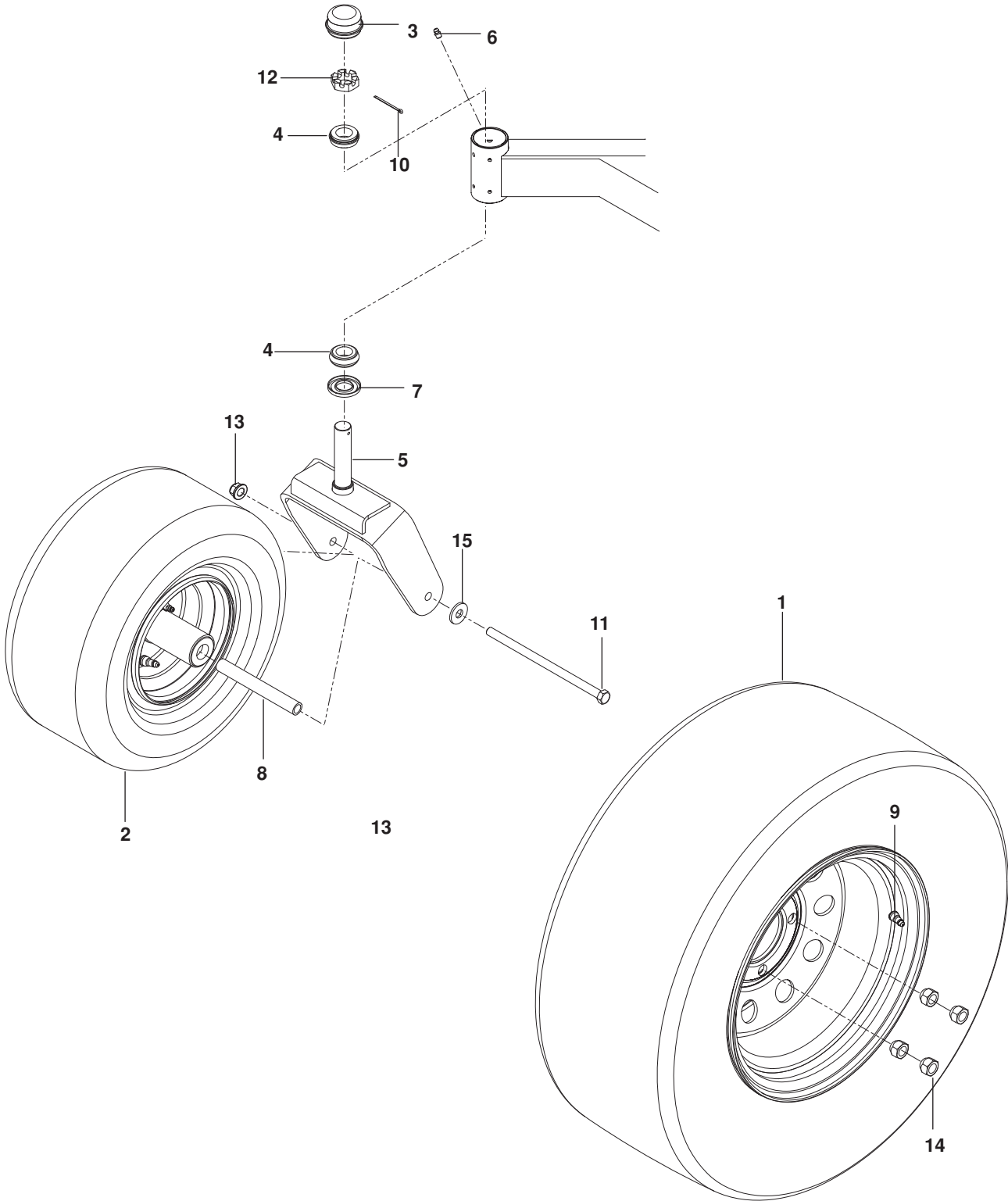
HYDRAULIC PUMP-MOTOR



HYDRAULIC PUMP-MOTOR

ITEM	PART NO.	QTY.	DESCRIPTION	ITEM	PART NO.	QTY.	DESCRIPTION
1..	577 227702....	1 TRANS, ZT-3100, LT	14..	539 990643....	4 HCS 1/4-20 x 7/8
2..	577 227701....	1 TRANS, ZT-3100, RT	15..	539 990209....	4 HCS 5/16-18 x 1
3..	575 017102....	1 BRACKET, TRANS, LT	16..	539 101721....	4 HCS 5/16-18 x 2 3/4
4..	575 017002....	1 BRACKET, TRANS, RT	17..	539 108551....	2 HCS 3/8-16 x 2 1/2 GR8
5..	539 131616....	1 LINKAGE, BYPASS LT	18..	574 233801....	4 HHFS 5/16-18 x 2 1/4
6..	539 131618....	1 LINKAGE, BYPASS RT	19..	539 976978....	4 NUT 1/4-20 HEX NYLOC
7..	574 892101....	2 HOSE, EXPANSION	20..	539 112899....	8 NUT 5/16-18 HEX FLG NYLOC
8..	574 811301....	2 TANK, EXPANSION	21..	539 990188....	4 WASHER 5/16 SAE FLT
9..	575 778202....	2 COVER, FAN	22..	539 990118....	2 WASHER 3/8 SPLT LK
10..	539 113466....	2 FILTER, HYDRO	23..	539 990187....	4 WASHER 5/16 SLW
11..	574 868501....	1 TUBE, SPACER	24..	539 990055....	4 WASHER 1/4 SAE FLT
12..	539 102587....	2 GROMMET, BUMPER	25..	539 990122....	2 WASHER 3/8 SAE FLT
13..	539 976988....	2 HAIRPIN COTTER				

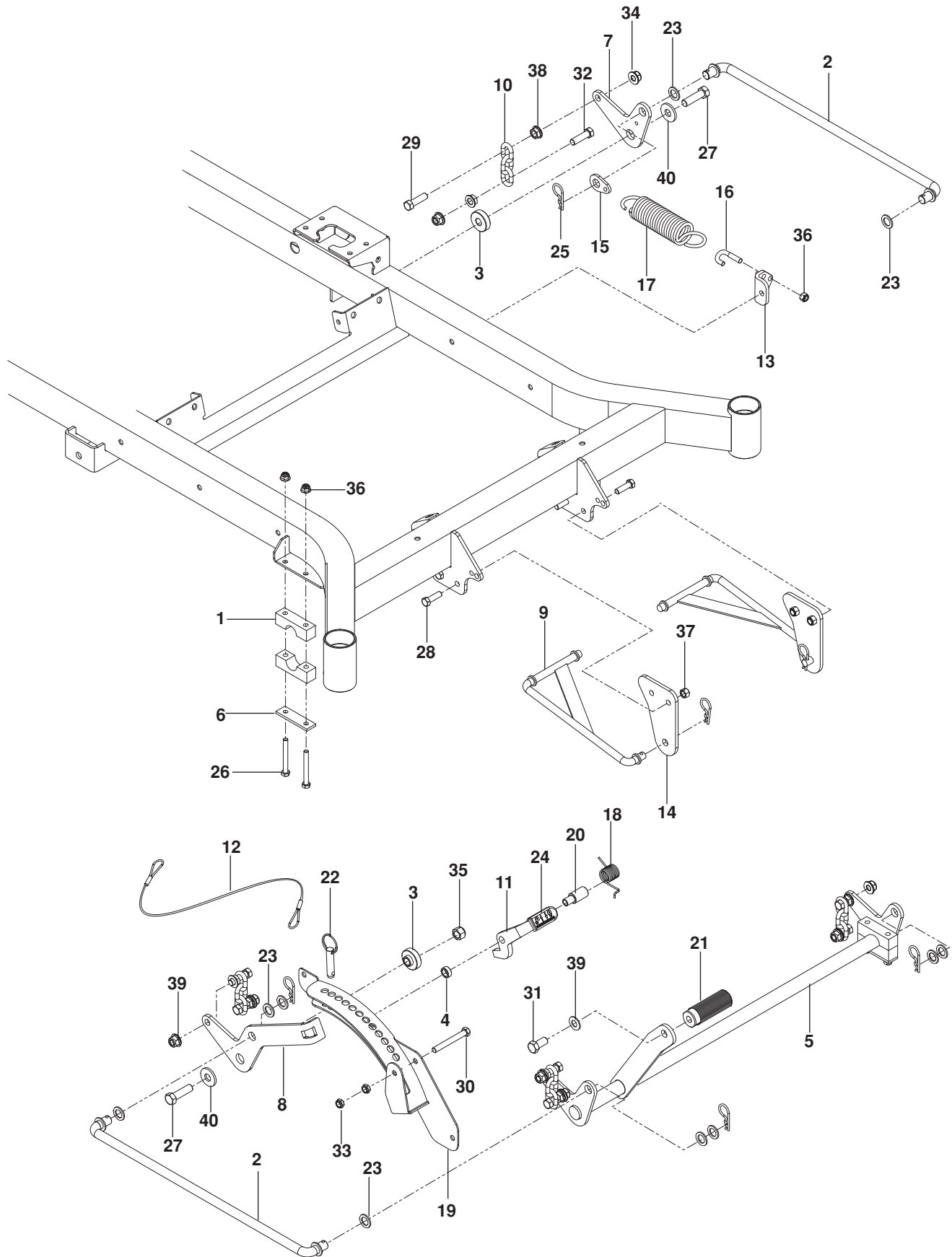
WHEELS



WHEELS

ITEM	PART NO.	QTY.	DESCRIPTION	ITEM	PART NO.	QTY.	DESCRIPTION
1..	580 747001....2	WHEEL ASSY 22 x 10-10	9..	539 912234....2	AIR VALVE
2..	581 199501....2	WHEEL ASSY 13 x 6.5	10..	539 102889....2	COTTER PIN 1/8 x 2
3..	539 102535....2	CAP, GREASE	11..	539 105517....2	HCS 1/2-13 x 9 1/2
4..	539 102543....4	BEARING, ROLLER TAPERED	12..	539 102852....2	NUT 1"-14 SLOTTED JAM
5..	575 329202....2	YOKE, CASTER, ORG	13..	521 991101 ...2	NUT 1/2-13 HEX FLG NYLOC
6..	539 101474....2	ZERK	14..	539 101173....8	NUT 1/2-20 LUG
7..	539 102851....2	SEAL	15..	539 109554....2	WASHER 1/2 FLT
8..	575 334901....2	SPACER, PIVOT				

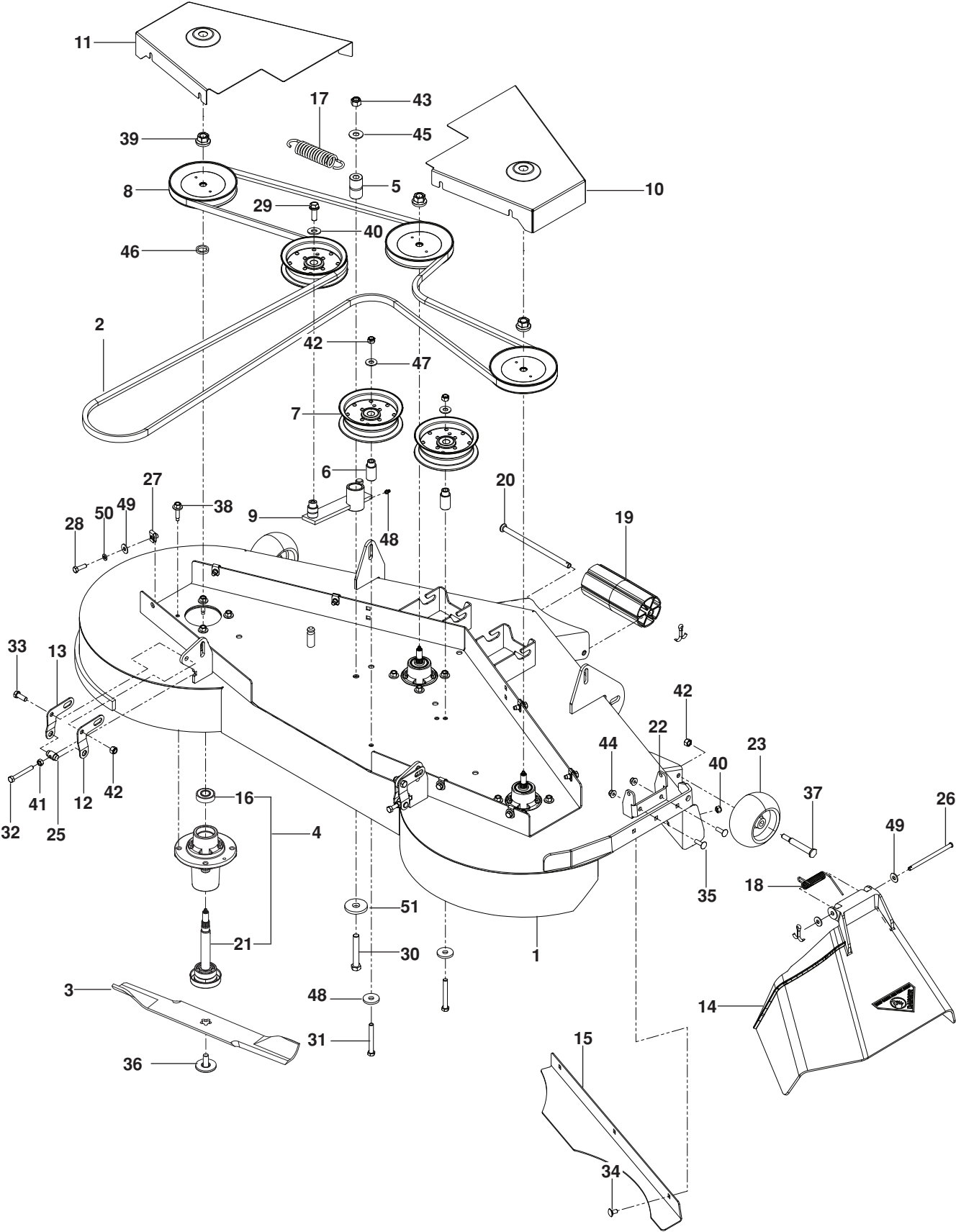
MOWER LIFT / DECK LIFT



MOWER LIFT / DECK LIFT

ITEM	PART NO.	QTY.	DESCRIPTION	ITEM	PART NO.	QTY.	DESCRIPTION
1..	539 104808....4	PILLOW BLOCK	22..	539 132182....1	PIN ½ x 1½ DETENT RING
2..	539 110808....2	LINK, DECK LIFT	23..	539 991043..10	BUSHING .625
3..	539 118937....2	SPACER, IDLER	24..	539 132851....1	GRIP
4..	539 131861....1	SPACER	25..	539 115501....6	PIN, COTTER 1¾
5..	581 215202....1	SHAFT, FRONT LIFT BLK	26..	539 101721....4	HCS 5/16-18 x 2¾
6..	539 104807....2	REINFORCEMENT BAR	27..	539 108181....2	HCS ½-13 x 1¾ GR 8
7..	539 131897....1	BELLCRANK, RR, LIFT BLK	28..	539 976941....4	HCS 3/8-16 X 1¼
8..	539 131853....1	BELLCRANK, RR, RT BLK	29..	539 101175....4	HCS 7/16-14 x 1½
9..	539 112223....2	LINKAGE, STRUT	30..	874 780648....1	HCS 3/8-16 x 3
10..	539 109693....4	LIFT CHAIN-3 LINK	31..	539 990646....1	HCS ½-13 x 1¾
11..	539 131566....1	LATCH, TRANSPORT	32..	539 108073....4	HCS 7/16-14 x 1¾
12..	539 105059....1	LANYARD	33..	539 200282....2	NUT 3/8-16 HEX JAM NYLOC
13..	539 131791....1	MOUNT, SPRING	34..	539 132019....8	NUT 7/16-14 HEX WHIZ LK
14..	539 132017....2	MOUNT, STRUT	35..	539 101331....2	NUT ½ HEX NYLOC
15..	539 131792....1	TAB, SPRING	36..	539 112899....5	NUT 5/16-18 HEX FLG NYLOC
16..	539 112896....1	J-BOLT	37..	539 976979....4	NUT 3/8-16 HEX NYLOC
17..	539 102642....1	SPRING	38..	539 102582....8	NUT 7/16-14 HEX WHIZ LK
18..	539 132734....1	SPRING, TORSION	39..	539 102843....1	WASHER 7/16 SPRING
19..	539 131850....1	HEIGHT ADJUST, DECK	40..	539 109554....2	WASHER ½ FLT
20..	539 131860....1	PIVOT LATCH, TRANSPORT				
21..	510 408301....1	PEDAL, FOOT				

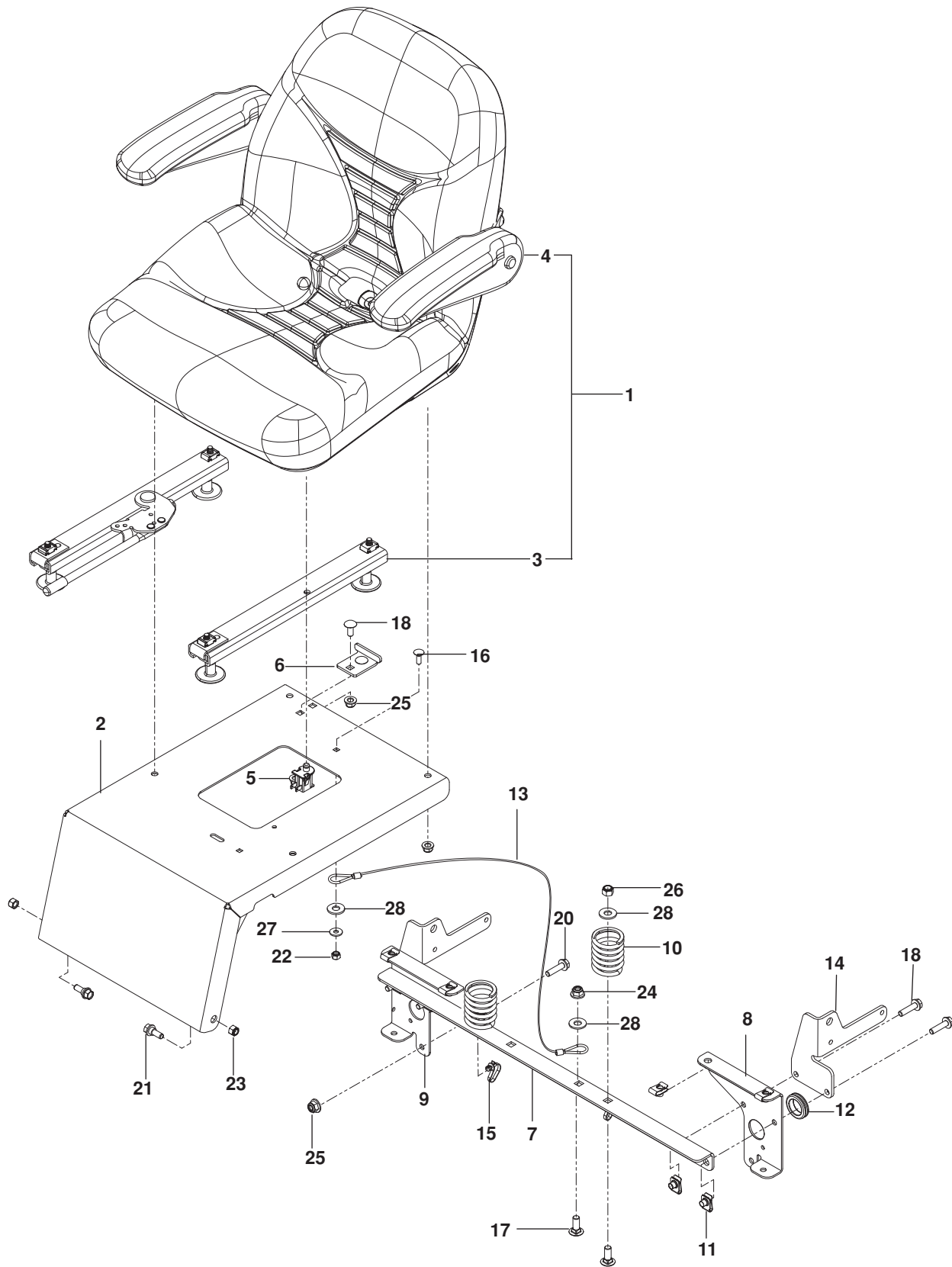
MOWER DECK / CUTTING DECK



MOWER DECK / CUTTING DECK

ITEM	PART NO.	QTY.	DESCRIPTION	ITEM	PART NO.	QTY.	DESCRIPTION
1..	581 505401....	1 DECK w/ SAFETY DECALS	27..	539 104763....	8 RETAINER, U TYPE ⁵ / ₁₆ -18
2..	539 104335....	1 BELT, DECK	28..	539 976934....	8 HCS ⁵ / ₁₆ -18 x ³ / ₄
3..	539 113312....	3 BLADE, 21"	29..	539 990582....	1 HCS ³ / ₈ -16 x 1 WHIZLK
4..	539 131898....	3 HOUSING ASSEMBLY	30..	539 103433....	1 HCS ¹ / ₂ -13 x ³ / ₄
5..	539 103427....	1 BUSHING, PIVOT	31..	539 101341....	2 HCS ³ / ₈ -16 x 3
6..	539 112169....	2 BUSHING, IDLER	32..	539 108396....	2 HCS ⁵ / ₁₆ -18 x 2 ¹ / ₂ TPBLT
7..	539 132728....	3 PULLEY, IDLER	33..	539 990563....	2 HCS ³ / ₈ -16 x 1
8..	539 113300....	3 PULLEY	34..	539 990799....	3 RHSNB ⁵ / ₁₆ -18 x ⁵ / ₈
9..	539 112198....	1 ARM, IDLER	35..	539 107271....	2 RHSSNB ⁵ / ₁₆ -18 x 1
10..	539 113319....	1 BELT SHIELD, RT ORG	36..	532 193003....	3 BOLT ⁷ / ₁₆ BLADE
11..	539 113322....	1 BELT SHIELD, LT ORG	37..	539 107608....	2 BOLT, SHOULDER
12..	584 589404....	2 PITCH ADJUST, RT	38..	539 107630..	12 SCREW, WSH HEAD
13..	584 589402....	2 PITCH ADJUST, LT	39..	539 107590....	3 NUT ⁹ / ₁₆ TOP CENTER LOCK
14..	539 110734....	1 CHUTE, DISCHARGE	40..	539 990717....	3 NUT ⁵ / ₁₆ -18 HEX NYLOC
15..	539 113317....	1 PLATE, CONFINEMENT	41..	539 990196....	2 NUT ⁵ / ₁₆ -18 HEX
16..	539 112050....	3 BEARING, BALL	42..	539 976979....	6 NUT ³ / ₈ -16 HEX NYLOC
17..	539 103256....	1 SPRING	43..	539 101331....	1 NUT ¹ / ₂ HEX NYLOC
18..	539 110735....	1 SPRING, TORSION	44..	539 112899....	2 NUT ⁵ / ₁₆ -18 HEX FLG NYLOC
19..	532 176066....	1 ROLLER, NOSE	45..	539 990550....	1 WASHER ¹ / ₂ STD FLT
20..	532 179127....	1 ROD, ROLLER, NOSE	46..	539 107520....	3 WASHER-SPACER
21..	539 187291....	3 SHAFT	47..	539 990517....	2 WASHER ³ / ₈ FLAT STD
22..	581 606002....	1 BRACKET ORG	48..	539 106504....	2 WASHER, HEAVY
23..	539 107610....	2 WHEEL, GAUGE	49..	539 990692..	10 WASHER ⁵ / ₁₆ STD FLT
24..	539 976998....	1 ZERK	50..	539 109600....	8 WASHER ⁵ / ₁₆ SPRING
25..	539 131859....	2 TRUNION, PITCH	51..	539 102243....	1 WASHER, SUPPORT
26..	539 110736....	1 PIN ⁵ / ₁₆ CLEVIS				

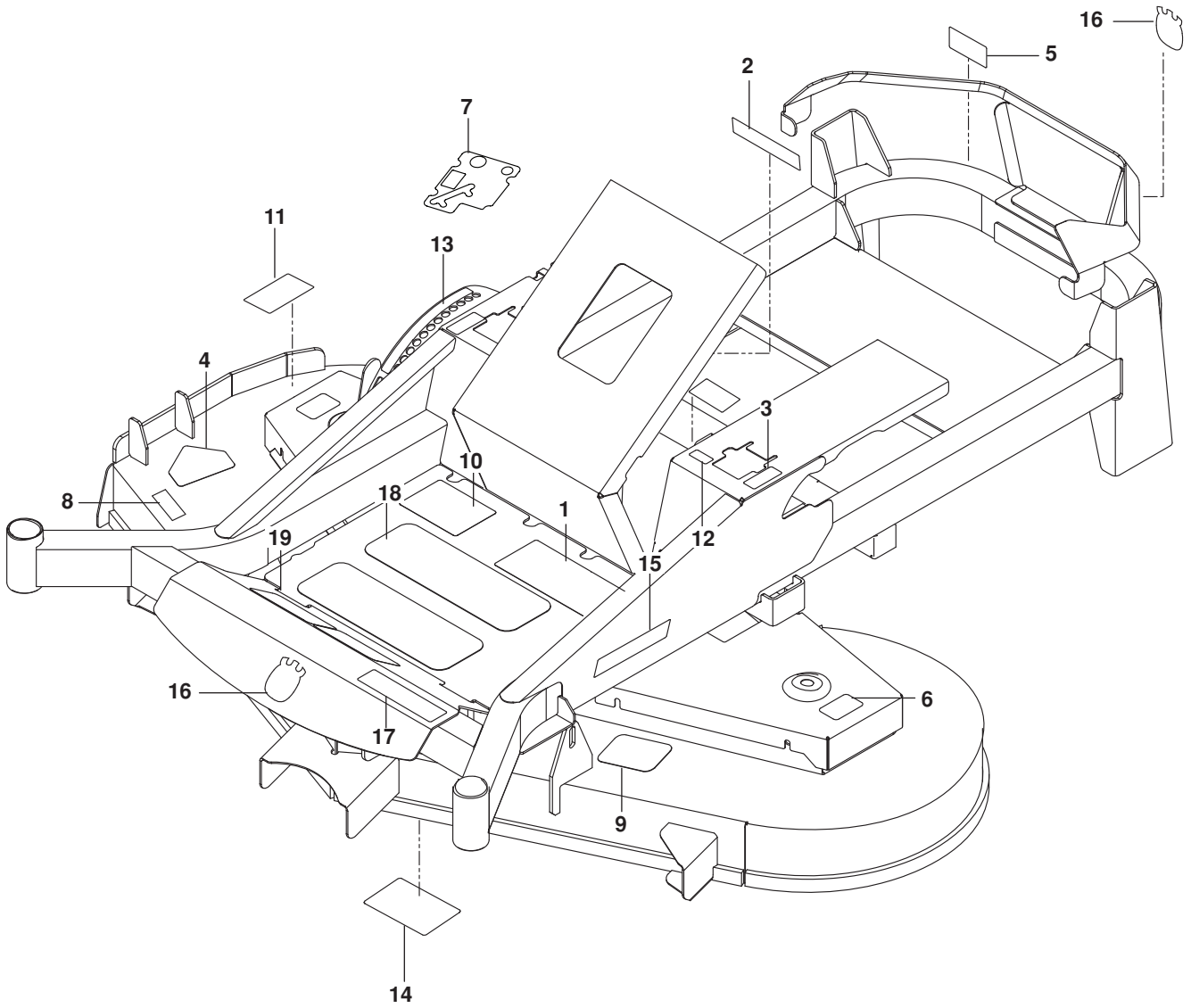
SEAT



SEAT

ITEM	PART NO.	QTY.	DESCRIPTION	ITEM	PART NO.	QTY.	DESCRIPTION
1..	539 130873....	1 SEAT ASSY	15..	505 280001....	2 TIE WRAP w/ CLIP
2..	575 608601....	1 MOUNT, SEAT w/ DECAL	16..	539 990074....	1 RHSNB 1/4-40 x 3/4
3..	539 112037....	1 RAIL SET, SEAT	17..	539 990645....	3 RHSNB 3/8-16 x 1
4..	539 112036....	1 ARM REST, LT	18..	539 109100....	2 RHSNB 5/16-18 x 3/4
	539 112035....	1 ARM REST, RT	19..	525 544001....	4 HHFS 5/16-18 x 1 1/4 TPBLT
5..	532 421062....	1 SWITCH, SEAT	20..	525 464701....	2 HHFS 5/16-18 x 3/4
6..	539 130793....	1 DECK STOP	21..	539 130896....	2 BOLT 5/16-18 SHOULDER
7..	539 131656....	1 SUPPORT, SEAT	22..	539 976978....	1 NUT 1/4-20 HEX NYLOC
8..	575 224102....	1 SUPPORT, LT	23..	539 990717....	2 NUT 5/16-18 HEX NYLOC
9..	575 224002....	1 SUPPORT, RT	24..	521 996501....	1 NUT 3/8-16 HEX FLG NYLOC
10..	539 110300....	2 SPRING, SEAT	25..	539 112899....	8 NUT 5/16-18 HEX FLG NYLOC
11..	539 104763....	8 RETAINER, U TYPE	26..	539 976979....	2 NUT 3/8-16 HEX NYLOC
12..	539 105974....	1 GROMMET RUBBER	27..	539 990598....	1 WASHER 1/4 FLAT
13..	539 103247....	1 LANYARD, SEAT	28..	539 990517....	4 WASHER 3/8 FLAT STD
14..	575 017402....	2 MOUNT, SEAT BELT				

DECALS



DECALS

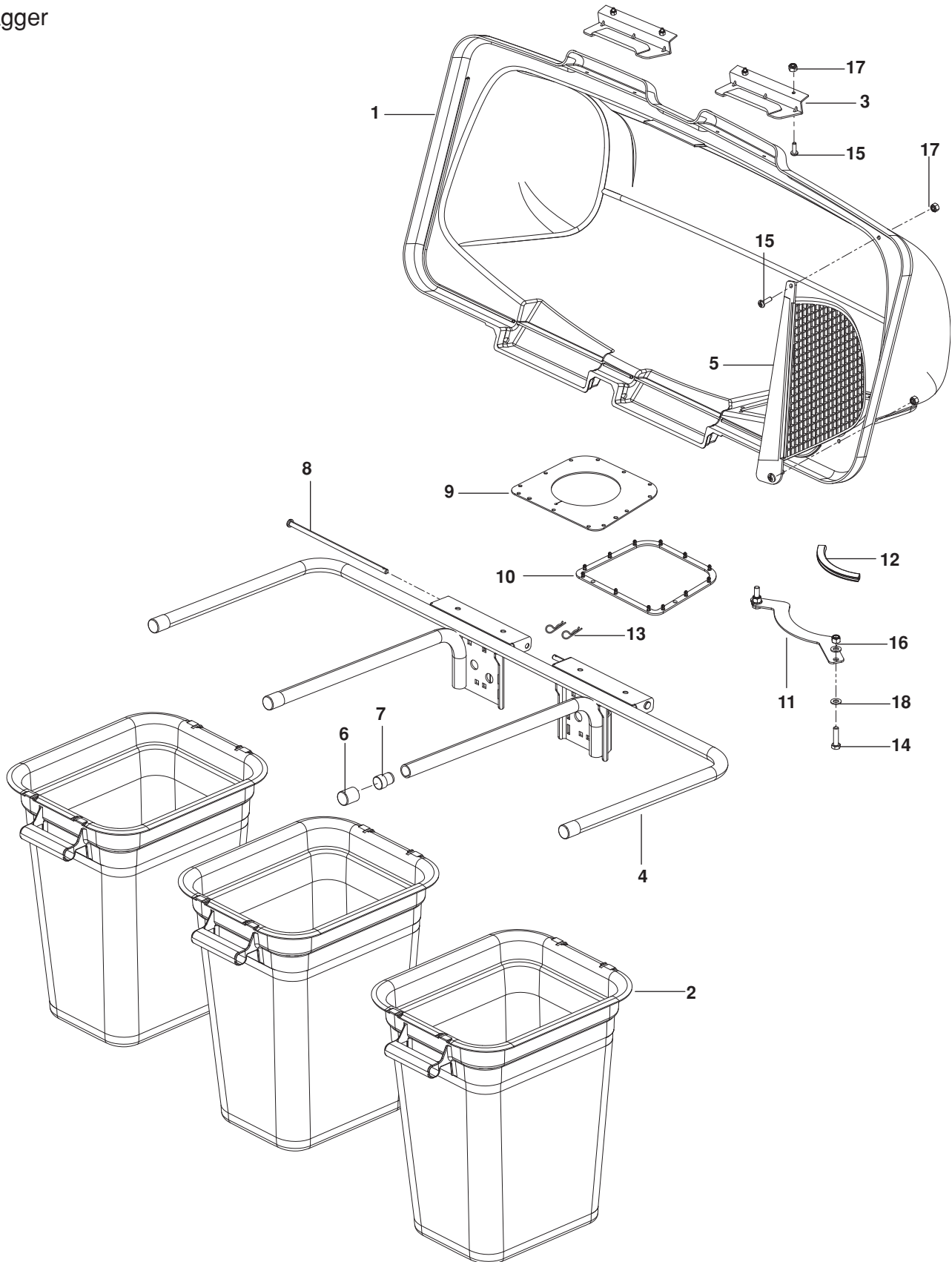
ITEM	PART NO.	QTY.	DESCRIPTION	ITEM	PART NO.	QTY.	DESCRIPTION
1..	539 107959	...1	...DECAL, WARNING	11..	581 724401	...1	...DECAL, DEFLECTOR
2..	539 105745	...1	...DECAL, BATTERY WARNING	12..	539 110974	...2	...DECAL, TRACKING
3..	539 103333	...2	...DECAL, MOTION CONTROL	13..	539 132039	...1	...DECAL, HEIGHT ADJUST
4..	539 913010	...1	...DECAL, BLADE WARNING	14..	539 132187	...1	...DECAL, SERVICE
5..	539 105744	...1	...DECAL, DANGER BLT DRIVE	15..	532 429196	...2	...DECAL, HUSQVARNA
6..	581 724301	...2	...DECAL, NO STEP	16..	532 428676	...2	...DECAL, CROWN H
7..	574 841103	...1	...DECAL, CONSOLE	17..	585 659001	...1	...DECAL, MZ61
8..	539 105746	...1	...DECAL, SEVERING	18..	539 977778	...2	...PAD, ABRASIVE LG
9..	539 112620	...1	...DECAL, BELT ROUTING	19..	539 121322	...2	...PAD, ABRASIVE SM
10..	539 113213	...1	...DECAL, WARNING				

ACCESSORIES

ITEM	PART NO.	QTY.	DESCRIPTION	ITEM	PART NO.	QTY.	DESCRIPTION
1..	539 130344....	1 HOUSING w/DECALS	31..	539 130317....	1 PIN
2..	539 130293....	1 COVER, BELT	32..	539 130315....	6 HCS $\frac{5}{16}$ -18 x $\frac{1}{2}$
3..	539 131085....	1 KEEPER, BELT OUTER	33..	539 110321....	2 HCS $\frac{3}{8}$ -24 x $1\frac{1}{4}$ GR 8
4..	579 137702....	1 KEEPER	34..	539 990209....	1 HCS $\frac{5}{16}$ -18 x 1
5..	579 137602....	1 KEEPER	35..	539 990655....	1 HCS $\frac{3}{8}$ -16 x $1\frac{1}{2}$
6..	539 130346....	1 KEEPER, BELT REAR	36..	539 976949....	1 HCS $\frac{3}{8}$ -16 x $1\frac{3}{4}$
7..	539 105785....	1 DECAL, WARNING	37..	539 108461....	3 HCS $\frac{1}{4}$ -20 x $\frac{1}{2}$
8..	539 106741....	1 DECAL, SEVERING	38..	539 990643....	1 HCS $\frac{1}{4}$ -20 x $\frac{7}{8}$
9..	579 150802....	1 PULLEY, IDLER	39..	539 990316....	4 RHSNB $\frac{5}{16}$ -18 x $\frac{3}{4}$
10..	539 130324....	1 PULLEY	40..	539 990645....	1 RHSNB $\frac{3}{8}$ -16 x 1
11..	539 130292....	1 IMPELLER	41..	539 990208....	4 RHSNB $\frac{5}{16}$ -18 x 1
12..	539 113683....	1 V-IDLER	42..	539 990302....	8 SCREW $\frac{1}{4}$ x $\frac{3}{8}$ THRD FRM
13..	539 130295....	1 HUB, BEARING	43..	539 976952....	1 SCREW #10-24 x $\frac{5}{8}$
14..	539 130296....	2 BEARING	44..	539 200282....	3 NUT $\frac{3}{8}$ -16 HEX JAM NYLOC
15..	539 130301....	2 BUSHING	45..	539 130313....	6 NUT $\frac{5}{16}$ -18 TEE
16..	579 137402....	1 MOUNT, IDLER, UPPER	46..	539 130314....	11 NUT $\frac{1}{4}$ -20 TEE
17..	579 137502....	1 MOUNT, IDLER, LOWER	47..	539 108120....	1 NUT $\frac{1}{4}$ -20 HEX NYLOC
18..	539 130316....	1 SHAFT, IMPELLER	48..	539 990717....	9 NUT $\frac{5}{16}$ -18 HEX NYLOC
19..	579 137302....	1 ARM, IDLER	49..	539 108735....	1 NUT $\frac{1}{4}$ -20 HEX FLANGE
20..	539 130338....	1 ARM, TENSION	50..	539 108089....	1 WELD NUT, PLATED
21..	539 130339....	1 BRACKET, MOUNT, FRONT	51..	539 910935....	1 WASHER
22..	539 130340....	1 BRACKET, MOUNT, REAR	52..	539 990118....	2 WASHER $\frac{3}{8}$ SPLT LOCK
23..	539 101977....	1 TRACTION SPRING	53..	539 990122....	3 WASHER $\frac{3}{8}$ SAE FLT
24..	539 130323....	1 SPACER	54..	539 110323....	2 WASHER, HARDENED
25..	539 130341....	1 PLATE, OUTER	55..	539 990055....	4 WASHER $\frac{1}{4}$ FLAT SAE
26..	539 132124....	1 PLATE, BACKING	56..	539 109552....	2 WASHER $\frac{3}{16}$ LOCK
27..	539 132122....	1 PLATE, BACKING	57..	539 108084....	2 WASHER $\frac{3}{16}$ x $\frac{3}{4}$ x 16 GA
28..	539 108088....	1 LATCH, HOOD	58..	539 976988....	1 HAIRPIN
29..	539 115667....	1 KEY $\frac{3}{16}$ x $\frac{1}{2}$	59..	539 104763....	1 RETAINER U TYPE
30..	539 125229....	1 KEY $\frac{3}{16}$ x $1\frac{1}{2}$				

ACCESSORIES

Bagger

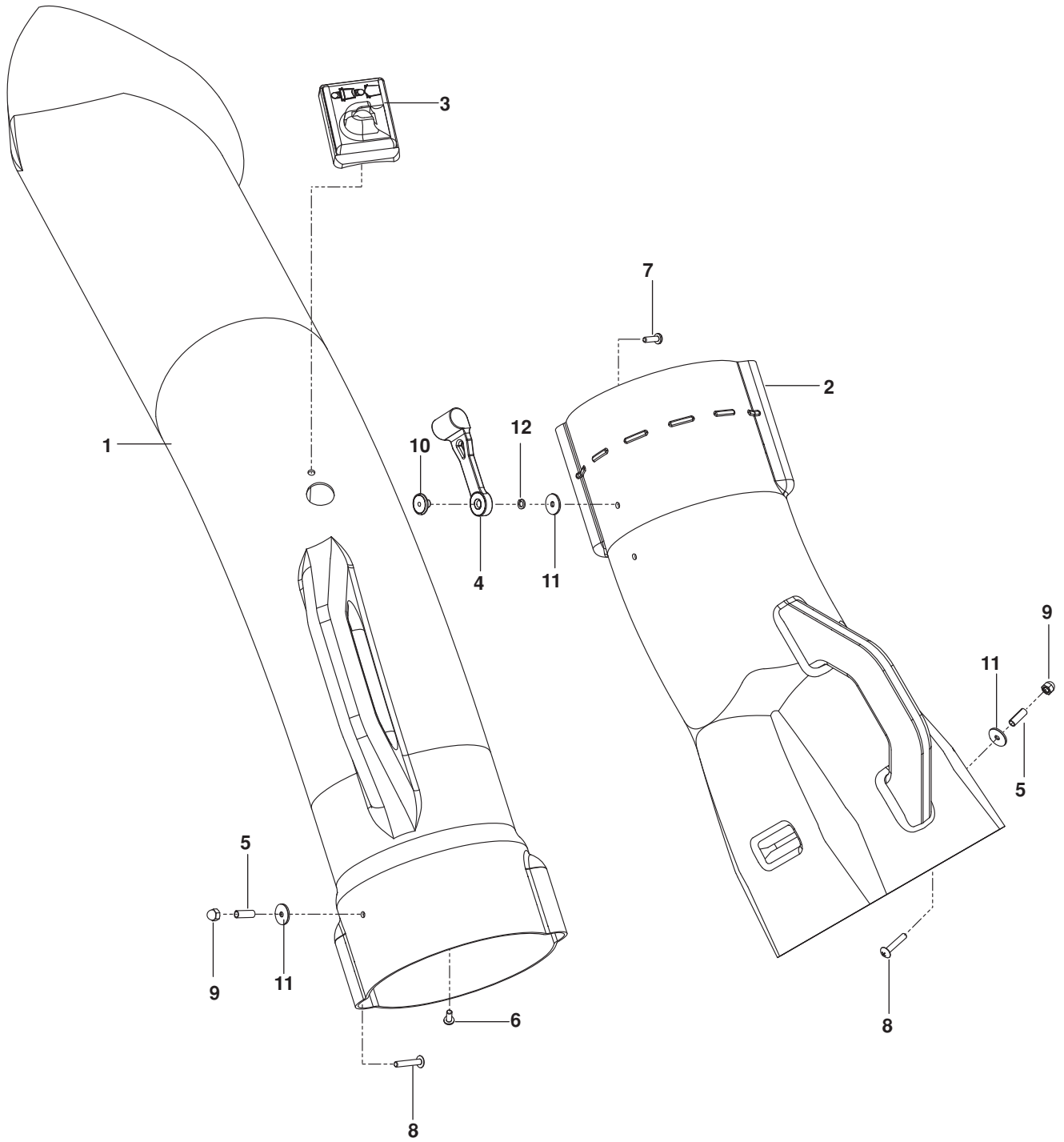


ACCESSORIES

ITEM	PART NO.	QTY.	DESCRIPTION	ITEM	PART NO.	QTY.	DESCRIPTION
1..	532 195373....	1	COVER	10..	532 192603....	1	GASKET, COVER
2..	532 400226....	3	CONTAINER, SOFT BAG	11..	539 110281....	1	SUPPORT, CHUTE
3..	532 130895....	2	HANDLE, BAGGER COVER	12..	539 112294....	1	FLEX TRIM
4..	539 108098....	1	FRAME, BAGGER	13..	539 108096....	2	HAIR PIN
5..	532 192709....	1	SCREEN, COVER	14..	539 990627....	2	HCS $\frac{5}{16}$ -18 x $1\frac{1}{4}$
6..	539 108097....	4	PLUG, TUBING END	15..	539 976952....	6	SCREW #10-24 x $\frac{5}{8}$
7..	522 801301....	2	PLUG, SPACER	16..	539 112899....	2	NUT $\frac{5}{16}$ -18 HEX FLG NYLOC
8..	532 192786....	2	PIN, HINGE	17..	539 976977....	6	NUT #10-24 NYLOC
9..	532 192550....	1	SEAL, COVER	18..	539 990188....	4	WASHER $\frac{5}{16}$ SAE FLT

ACCESSORIES

Chutes

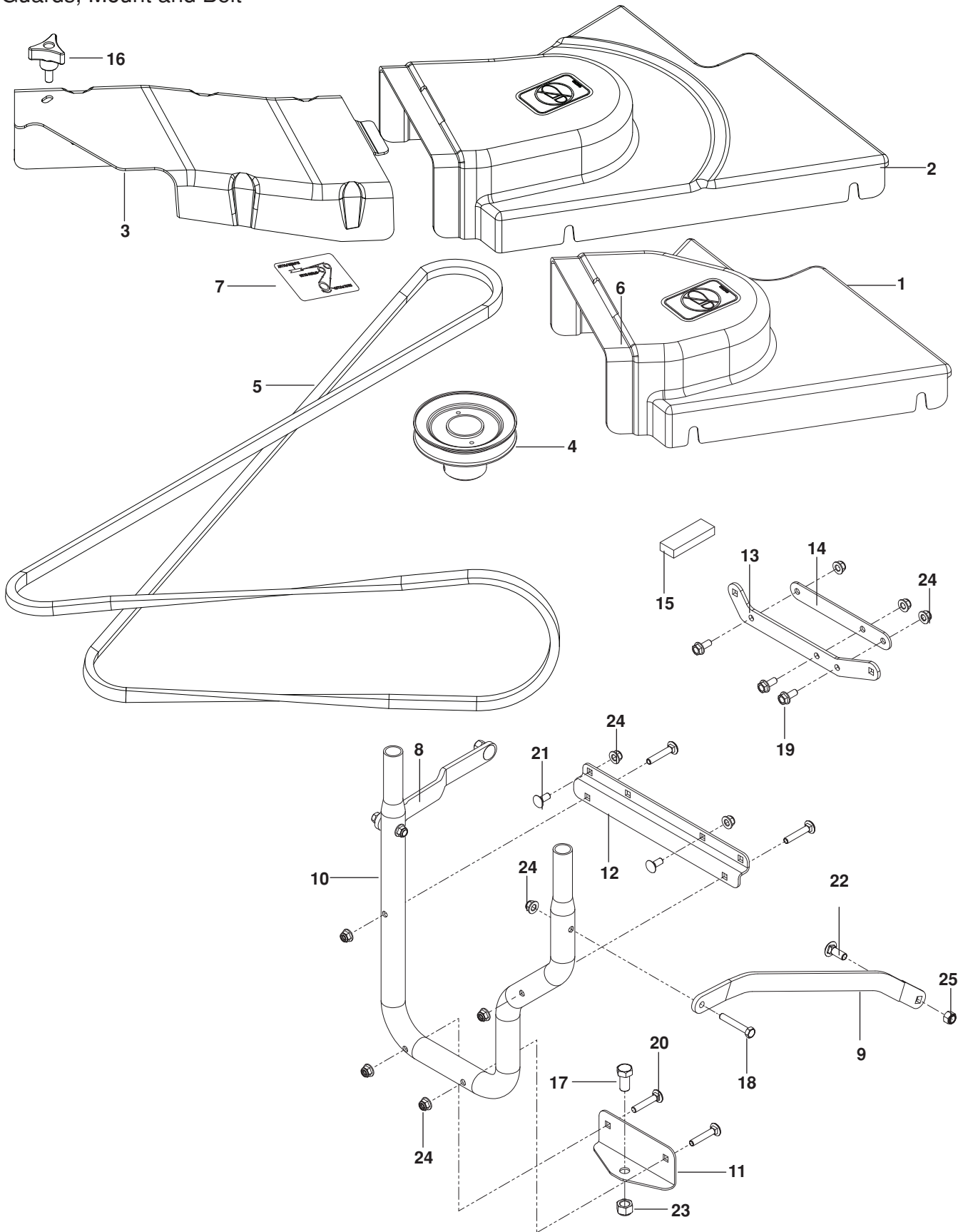


ACCESSORIES

ITEM	PART NO.	QTY.	DESCRIPTION	ITEM	PART NO.	QTY.	DESCRIPTION
1..	539 108141....	1CHUTE, UPPER	7..	539 976952....	1SCREW #10-24 x 5/8
2..	539 130294....	1CHUTE, MIDDLE	8..	539 108083....	2SCREW #10-24 x 1 1/8
3..	539 108082....	1INDICATOR, BAG DUMP	9..	539 108086....	2NUT #10-24 ACORN
4..	539 108088....	1LATCH, HOOD	10..	539 108089....	1WELD NUT, PLATED
5..	539 108085....	2SPACER, SPLIT	11..	539 108084....	3WASHER 3/16 x 3/4 x 16 GA
6..	539 108081....	1SCREW #10-14 x 1/2	12..	539 109552....	2WASHER 3/16 LOCK

ACCESSORIES

Guards, Mount and Belt

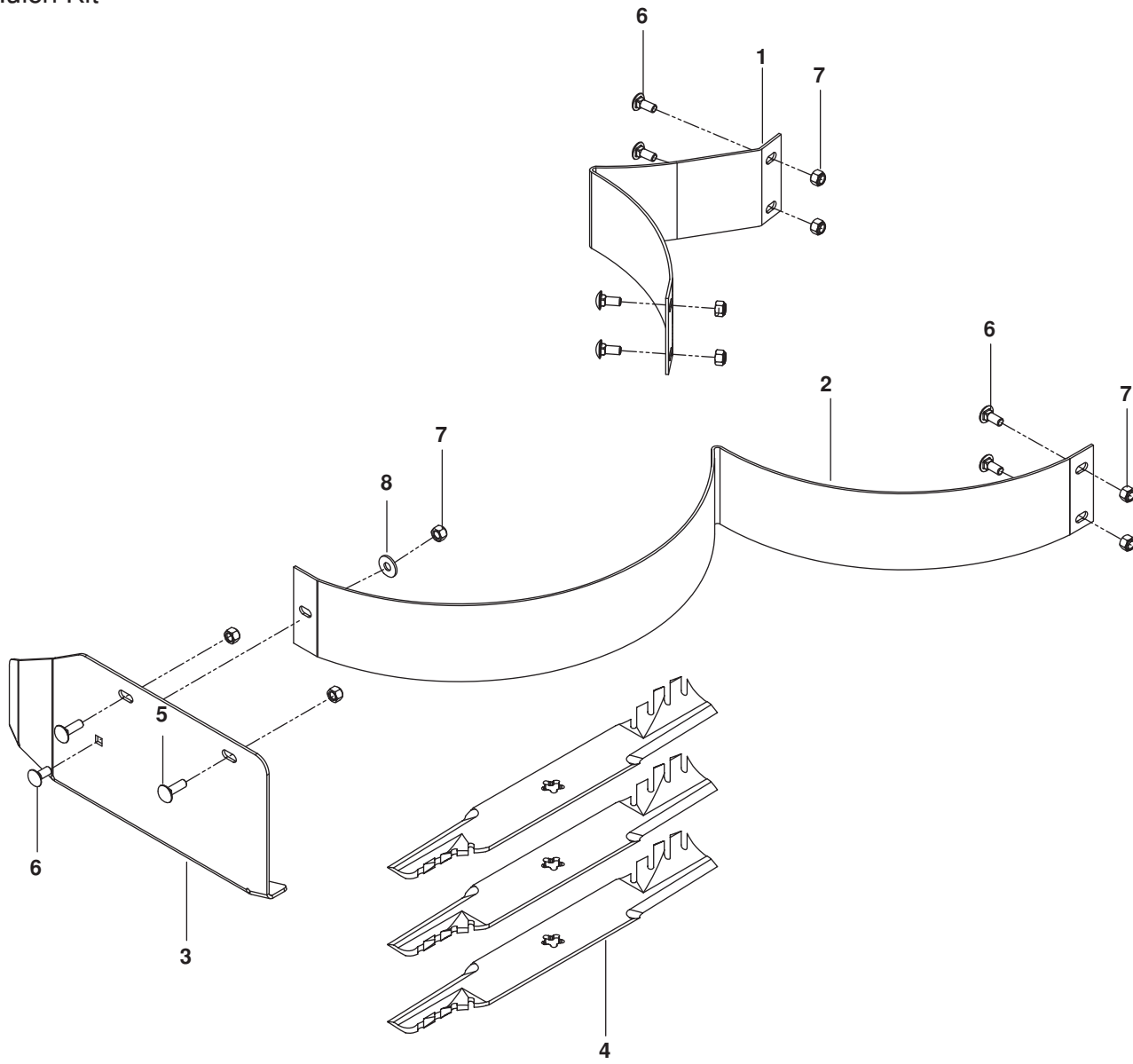


ACCESSORIES

ITEM	PART NO.	QTY.	DESCRIPTION	ITEM	PART NO.	QTY.	DESCRIPTION
1..	539 130307....	1 SHIELD, BELT, 52"	13..	576 221402....	1 BRACKET, SUPPORT, BLK
2..	539 130308....	1 SHIELD, BELT, 61"	14..	576 221502....	1 SPACER PLATE, BLK
3..	539130309.....	1 COVER, BELT	15..	539 110290....	1 STRIP, FOAM
4..	539 130320....	1 PULLEY, 52"	16..	539 104411....	1 KNOB w/ STUD
	539 130321....	1 PULLEY, 61"	17..	874 780616....	1 HCS ½ -13 x 1
5..	539 130347....	1 BELT, 48/52"	18..	874 780532 ...	2	... HCS 5/16-18 x 2
	539 130348....	1 BELT, 61"	19..	525 464701....	3 HHFS 5/16 -18 x ¾
6..	539 105743....	1 DECAL, NO STEP	20..	539 990861....	4 RHSNB 5/16 -16 x 1¾
7..	539130349.....	1 DECAL, BELT ROUTING	21..	872 140506....	2 RHSNB 5/16 -18 x ¾
8..	575 953302....	1 STRAP, LT, BLK	22..	872 140608....	2 RHSNB ¾ -16 x 1
9..	539 132198....	1 STRAP, RT, BLK	23..	873 800800....	1 NUT ½ NYLOC
10..	539 131091 ...	1	... TUBE, MOUNT	24..	539 112899..	11 NUT 5/16 NYLOC
11..	539 132192....	1 MOUNT HITCH, LOWER	25..	539 976979....	2 NUT ¾-16 NYLOC
12..	539 132194....	1 MOUNT HITCH, UPPER				

ACCESSORIES

Mulch Kit



ACCESSORIES

ITEM	PART NO.	QTY.	DESCRIPTION
1..	539 113313....1	BAFFLE, LEFT
2..	539 113315....1	BAFFLE, RIGHT
3..	539 113327....1	MULCH CAP
4..	521 981601....3	BLADE, 21" GATOR

ITEM	PART NO.	QTY.	DESCRIPTION
5..	539 990208....2	RHSNB $\frac{5}{16}$ -18 x 1
6..	539 990316....7	RHSNB $\frac{5}{16}$ -18 x $\frac{3}{4}$
7..	539 990717....9	HEX NUT $\frac{5}{16}$ -18 NYLOC
8..	539 990692....1	WASHER $\frac{5}{16}$ STD FLT

