

Gasoline containing up to 10% ethanol (E10) is acceptable for use in this machine. The use of any gasoline exceeding 10% ethanol (E10) will void the product warranty.

# Parts Manual

**RZ4222F / 966659401**



Please read the operator's manual carefully and make sure you understand the instructions before using the machine.

When you need spare parts or support in service questions, warranty issues, etc., please consult the following professional:

This Parts Manual belongs to the machine with the manufacturing number:	Engine	Transmission

### Manufacturing Number

*The machine's manufacturing number can be found on the printed plate affixed to the engine compartment.*

Stated on the plate, from the top are:

- The machine's type designation (I.D.).
- The manufacturer's type number (Model).
- The machine's serial number (Serial no.)

*Please have the type designation and serial number available when ordering spare parts.*

The engine's manufacturing number is stamped on one of the valve covers.

The plate states:

- The engine's model.
- The engine's type.
- Code

*Please have these available when ordering spare parts.*

The wheel motors and hydrostatic pumps have a barcode decal affixed at the rear.

<b>Accessories Available</b>	
Collection System -----	966 792701
Mulch Kit-----	966 412901

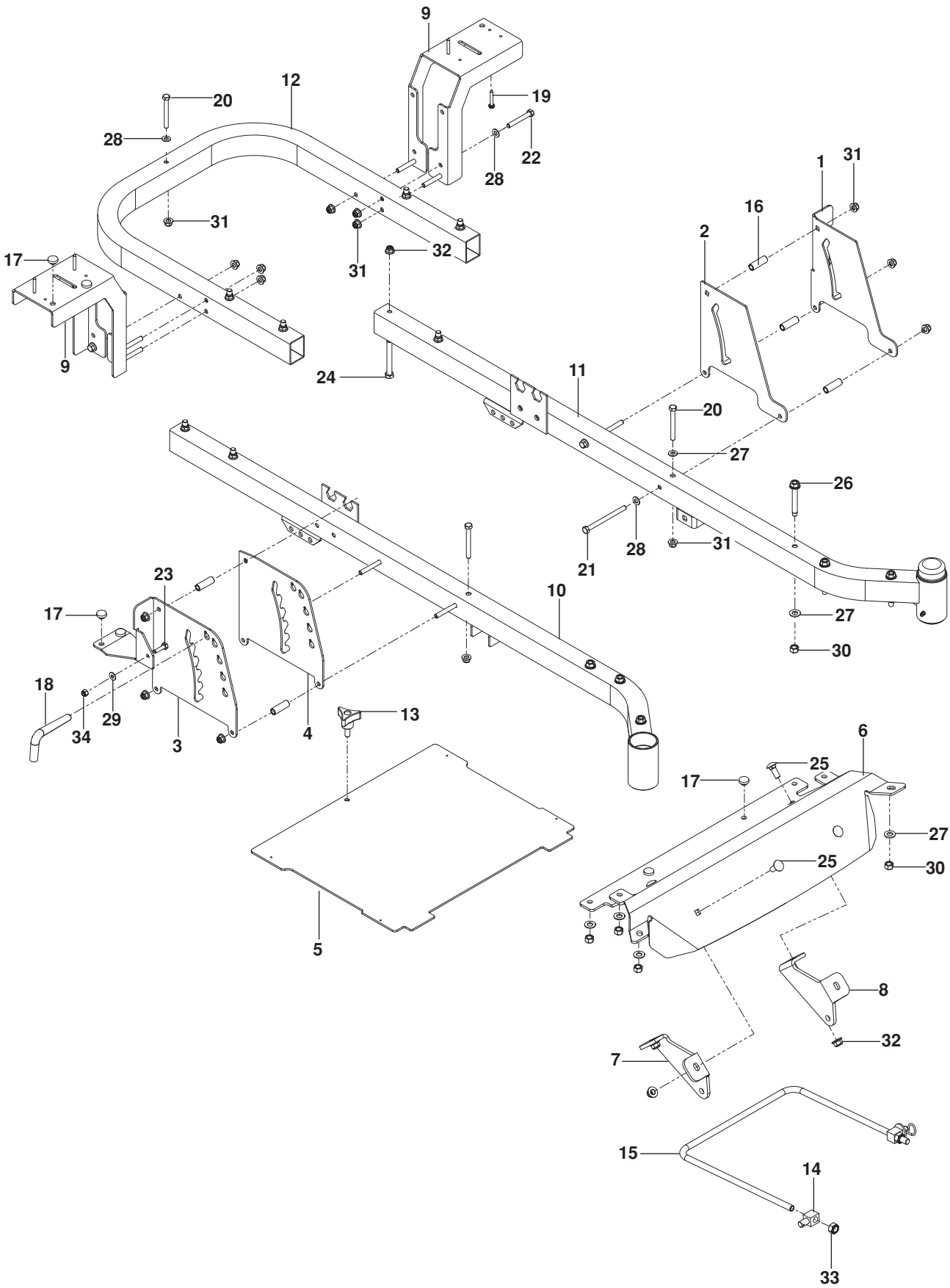
# CONTENTS

---

FRAME.....	4
ENGINE PLATE.....	6
STEERING .....	8
IGNITION.....	10
BRAKE / LIFT.....	12
HYDRAULIC PUMP / MOTOR.....	14
WHEELS AND TIRES.....	16
MOWER DECK / CUTTING DECK.....	18
SEAT .....	20
DECALS.....	22
ACCESSORIES	
BLOWER.....	24
BAGGER.....	26
CHUTES.....	28
GUARDS, MOUNTS AND BELT .....	30
MULCH KIT.....	32

NOTE: ALL FASTENERS ARE GRADE 5 UNLESS OTHERWISE SPECIFIED.

# FRAME

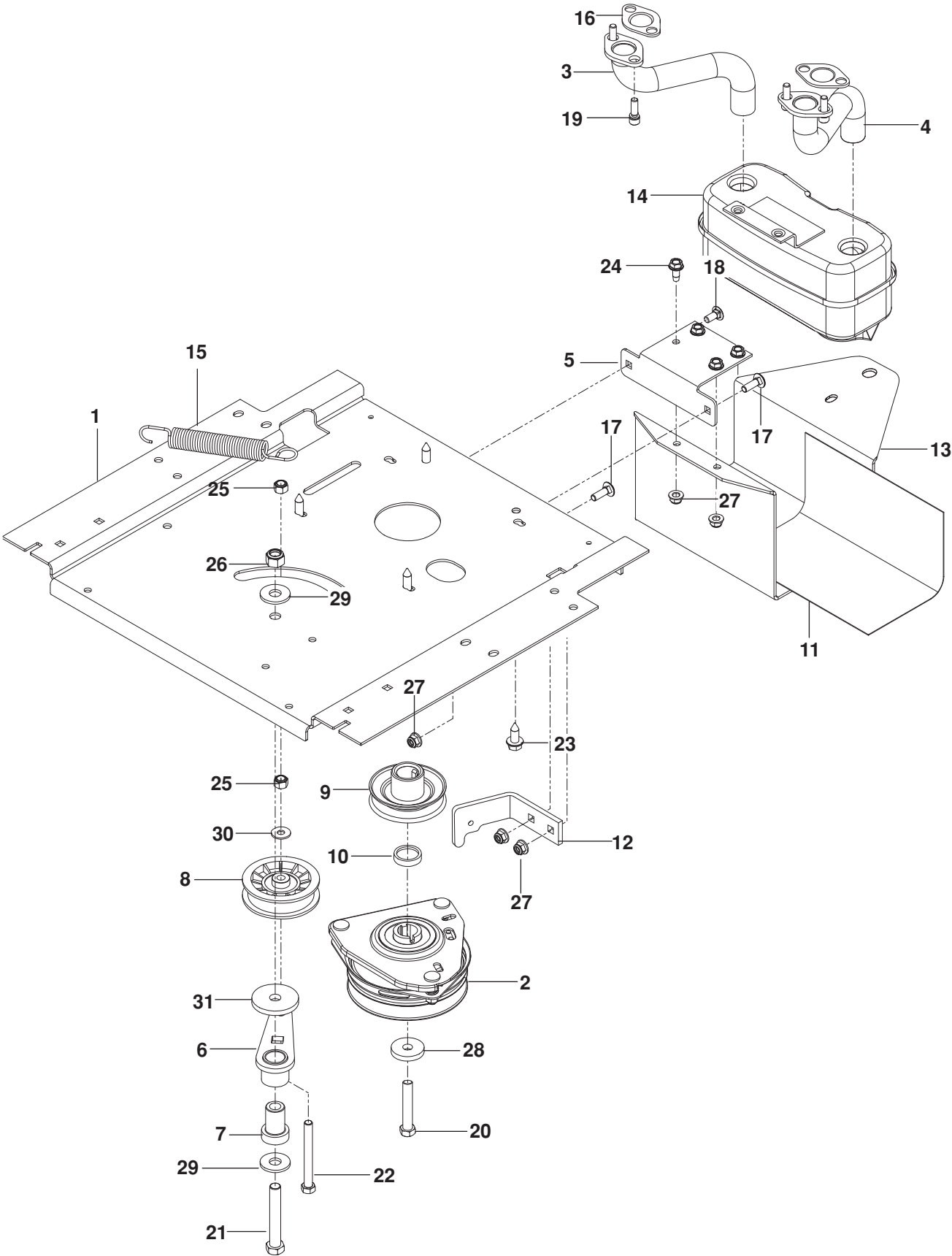


# FRAME

---

ITEM	PART NO.	QTY.	DESCRIPTION	ITEM	PART NO.	QTY.	DESCRIPTION
1..	510 261802....	1....	PLATE, OUTER BRAKE BLK	19..	539 110674....	4....	SCREW 10-12 x 1¼ HEX WSH
2..	510 206703....	1....	PLATE, BRAKE LATCH BLK	20..	874 780544....	3....	HCS 5/16-18 x 2¾
3..	580 528002....	1....	PLATE, LIFT OUTER BLK	21..	874 780564....	4....	HCS 5/16-18 x 4
4..	510 240502....	1....	PLATE, LIFT INNER BLK	22..	874 780536....	6....	HCS 5/16-18 x 2¼
5..	522 842902....	1....	FOOT PLATE w/ SFTY DECLS	23..	874 780416....	2....	HCS ¼-20 x 1
6..	522 719506....	1....	FOOT REST ORG	24..	874 780648....	8....	HCS 3/8-16 x 3
7..	581 222802....	1....	MOUNT, STRUT RT BLK	25..	872 141608....	4....	RHSNB 3/8-16 x 1
8..	581 222902....	1....	MOUNT, STRUT LT BLK	26..	817 490642....	6....	BOLT 3/8-16 x 25/8 THD FRM
9..	510 225902....	2....	SUPPORT, FENDER BLK	27..	819 141614....	6....	WASHER 3/8 STD FLT
10..	510 177503....	1....	FRAME, FRONT RT ORG	28..	819 111116..	13....	WASHER 5/16 SAE FLT
11..	510 177403....	1....	FRAME, FRONT LT ORG	29..	819 091016....	2....	WASHER ¼ FLAT SAE ZD
12..	510 177603....	1....	FRAME, REAR TUBE ORG	30..	539 200282....	6....	NUT 3/8-16 HEX JAM NYLOC
13..	539 104411....	1....	KNOB w/ STUD	31..	539 112899..	15....	NUT 5/16-18 HEX FLG NYLOC
14..	581 514301....	2....	SWIVEL	32..	521 996501....	8....	NUT 3/8-16 HEX FLG NYLOC
15..	521 938101....	1....	LINK, FRONT SUSPENSION	33..	539 119124....	2....	NUT 7/16-14 HEX NYLOC
16..	580 486101....	6....	SPACER ½ OD x 1½	34..	873 800400....	2....	NUT ¼-20 HEX NYLOC
17..	539 102587....	6....	GROMMET, BUMPER				
18..	510 016503....	1....	LIFT PIN				

# ENGINE PLATE

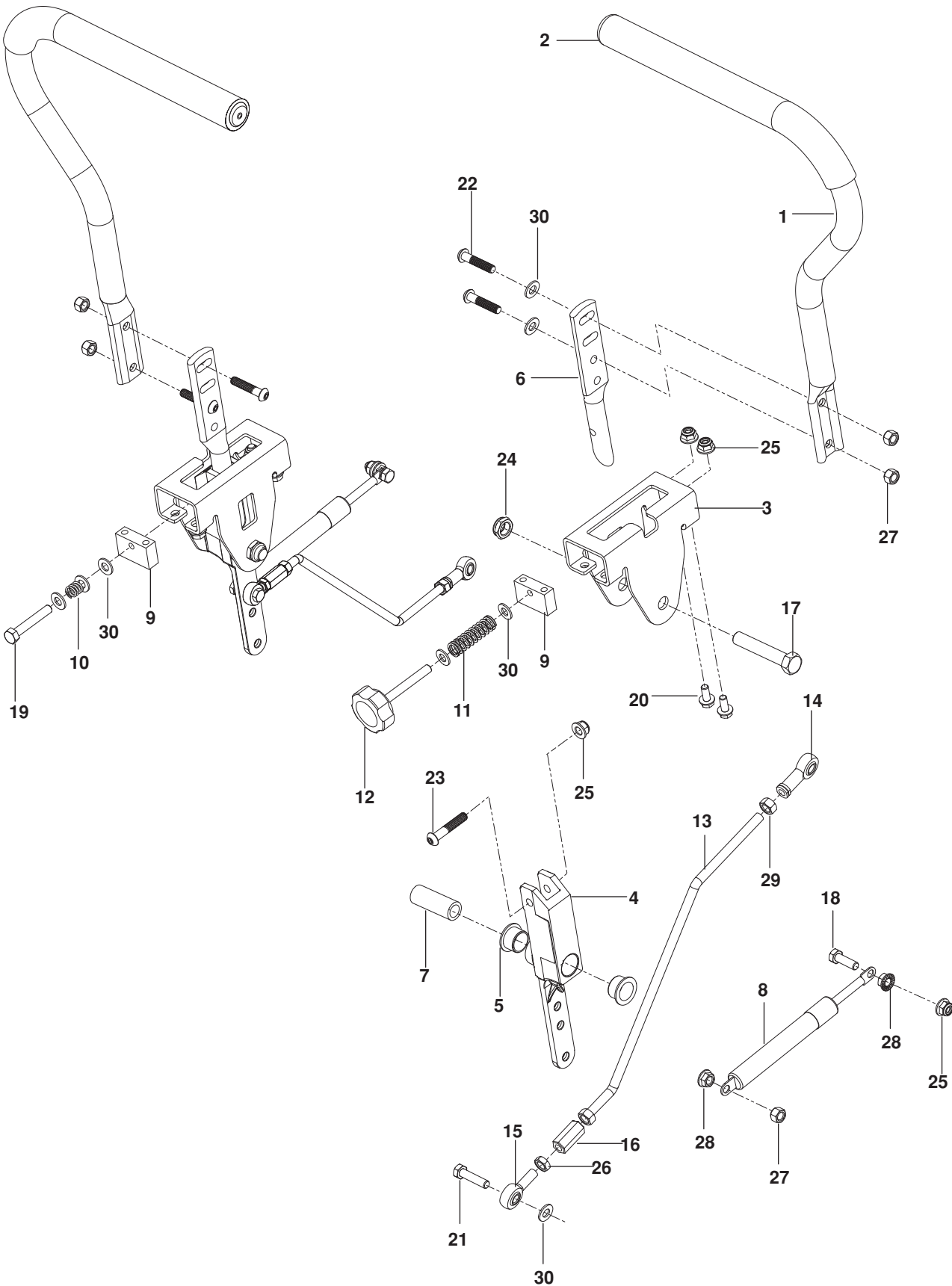


# ENGINE PLATE

---

ITEM	PART NO.	QTY.	DESCRIPTION	ITEM	PART NO.	QTY.	DESCRIPTION
1..	532 448161....	1....	PLATE, ENGINE BLK	18..	872 140506....	1....	RHSNB $\frac{5}{16}$ -18 x $\frac{3}{4}$
2..	532 400008....	1....	CLUTCH	19..	532 183906....	4....	SCREW, SCKT HD
3..	581 881101....	1....	TUBE, EXHAUST RT	20..	581 332803....	1....	HCS $\frac{7}{16}$ -20 x $2\frac{1}{2}$
4..	581 881001....	1....	TUBE, EXHAUST LT	21..	874 780852....	1....	HCS $\frac{1}{2}$ -13 x $3\frac{1}{4}$
5..	510 260402....	1....	BRACKET, MUFFLER BLK	22..	874 520656....	1....	HCS $\frac{3}{8}$ -16 x $3\frac{1}{2}$
6..	532 448145....	1....	ARM, IDLER	23..	817 120616....	4....	HHFS $\frac{3}{8}$ -16 x 1 THD FRM
7..	539 101231....	1....	SPINDLE, IDLER	24..	817 490512....	4....	HHFS $\frac{5}{16}$ -18 x $\frac{3}{4}$ THD FRM
8..	539 110311....	1....	PULLEY, IDLER	25..	539 976979....	2....	NUT $\frac{3}{8}$ -16 HEX NYLOC
9..	539 114530....	1....	PULLEY, ENGINE	26..	873 800800....	1....	NUT $\frac{1}{2}$ -13 HEX NYLOC
10..	577 094601....	1....	SPACER	27..	539 112899....	5....	NUT $\frac{5}{16}$ -18 HEX FLG NYLOC
11..	539 132859....	1....	SHIELD, HEAT	28..	532 126197....	1....	WASHER, CLUTCH
12..	522 442506....	1....	STOP, CLUTCH BLK	29..	819 182212....	2....	WASHER $\frac{1}{2}$ FLT
13..	584 989802....	1....	GUARD, MUFFLER BLK	30..	819 121414....	2....	WASHER $\frac{5}{16}$ STD FLT
14..	539 131604....	1....	MUFFLER ASSY	31..	539 112670....	1....	WASHER, HEAVY
15..	532 196105....	1....	SPRING, DECK DRIVE				NOT SHOWN
16..	532 165391....	2....	GASKET, MUFFLER		532 198316 ...	1....	ADAPTER, CLUTCH
17..	872 140508....	2....	RHSNB $\frac{5}{16}$ -18 x 1				

# STEERING



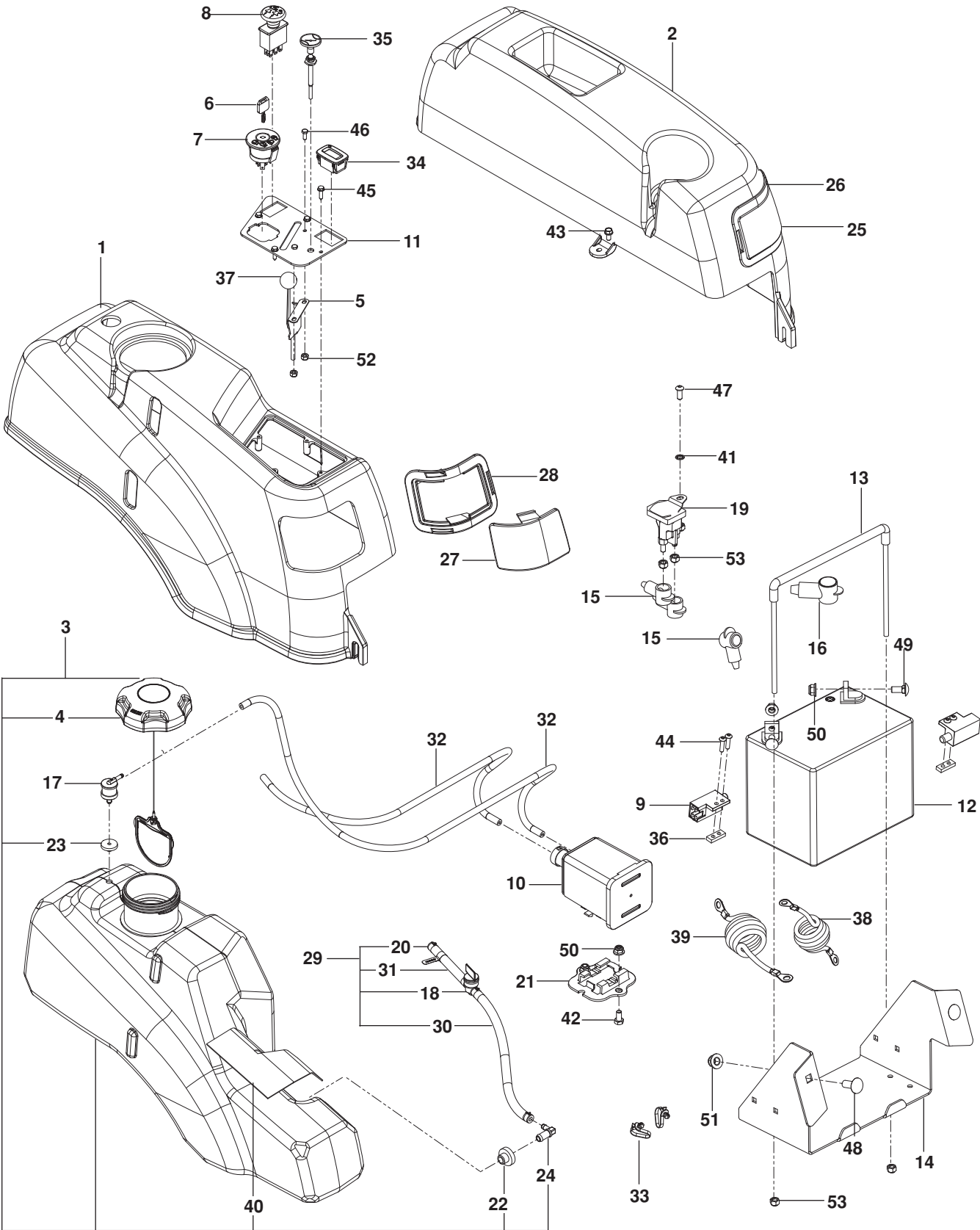


# STEERING

---

ITEM	PART NO.	QTY.	DESCRIPTION	ITEM	PART NO.	QTY.	DESCRIPTION
1..	579 036901....	2....	LEVER w/ GRIP	16..	539 116689....	2....	COUPLER, ROD END
2..	525 392901....	2....	GRIP, FOAM	17..	539 101332....	2....	HCS 1/2-13 x 2 3/4
3..	577 251701....	2....	BRACKET, CONTROL	18..	539 990209....	2....	HCS 5/16-18 x 1
4..	539 131518....	4....	BEARING, FLANGE	19..	539 976935....	1....	HCS 5/16-18 x 1 1/2
5..	576 140301....	2....	LEVER, CONTROL	20..	525 464701....	8....	HHFS 5/16-18 X 3/4
6..	577 420001....	2....	LEVER, HANDLE	21..	539 990669....	2....	HCS 5/16-18 x 1 3/4 TPBLT
7..	577 252401....	2....	SPACER, PIVOT CONTROL	22..	578 296402....	4....	SCREW 5/16-18 X 1 1/2 BTN HD
8..	539 102720....	2....	DAMPENER	23..	576 850402....	2....	SCREW 5/16-18 X 1 3/4 BTN HD
9..	577 251801 ...	2....	BLOCK, TRACKING	24..	539 108010....	2....	NUT 1/2-13 HEX JAM NYL GR2
10..	539 102845....	1....	SPRING	25..	539 112899..	10....	NUT 5/16-18 HEX FLG NYLOC
11..	576 850301....	1....	SPRING	26..	539 991073....	2....	NUT 5/16-24 HEX JAM LH
12..	539 131799....	1....	KNOB	27..	539 990717....	6....	NUT 5/16-18 HEX NYLOC
13..	580 624201....	2....	ROD, MOTION CONTROL	28..	539 990585....	4....	NUT 5/16-18 HEX WHIZLK
14..	539 115729....	2....	ROD END RH	29..	539 990223....	4....	NUT 5/16-24 HEX
15..	539 116690....	2....	ROD END MALE LH	30..	539 990188..	11....	WASHER 5/16 SAE FLT

# IGNITION

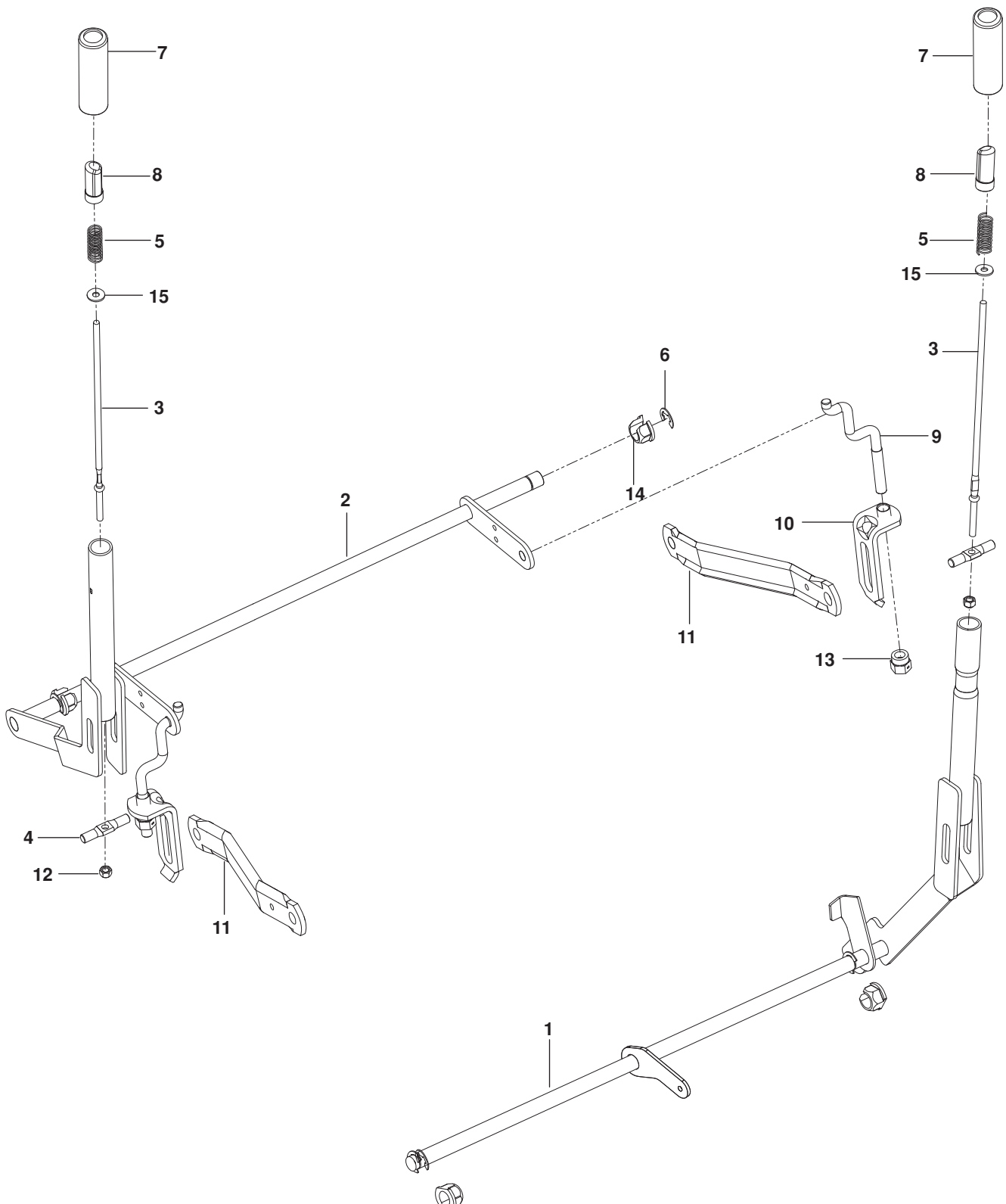


# IGNITION

---

ITEM	PART NO.	QTY.	DESCRIPTION	ITEM	PART NO.	QTY.	DESCRIPTION
1..	578 178901....	1....	FENDER, RT GRY	29..	576 660701....	1....	FUEL LINE ASSY
2..	539 130374....	1....	FENDER, LT GRY	30..	539 932956....	1....	FUEL LINE 10"
3..	578 180601....	1....	TANK ASSY, FUEL	31..	505 215101....	1....	FUEL LINE 2½"
4..	575 018101....	1....	CAP, FUEL w/ TETHER	32..	575 437802....	2....	HOSE, VAPOR ¾/16 x 33"
5..	539 112734....	1....	CABLE, THROTTLE	33..	505 280001....	2....	TIE WRAP w/ CLIP
6..	532 140401....	1....	KEY, IGNITION	34..	532 401763....	1....	HOUR METER
7..	539 107541....	1....	SWITCH, IGNITION	35..	539 112439....	1....	CONTROL, CHOKE
8..	532 174652....	1....	SWITCH, CLUTCH	36..	539 102678....	2....	PLATE, TAPPED
9..	532 109553....	2....	SWITCH, NC	37..	539 133049....	1....	KNOB
10..	532 414114....	1....	CANISTER, CARBON	38..	539 103306....	1....	CABLE, POSITIVE RED
11..	539 112735....	1....	PANEL, CONTROL	39..	539 110068....	1....	CABLE, NEGATIVE BLK
12..	539 102436....	1....	BATTERY	40..	522 559101....	1....	SHIELD, HEAT
13..	539 131209....	1....	TIE DOWN, BATTERY	41..	539 990053....	1....	WASHER ¼ ITLW
14..	510 231302....	1....	BOX, BATTERY BLK	42..	539 108392....	2....	HCS 5/16-18 x 5/8
15..	532 131563....	3....	TERMINAL COVER	43..	817 490408....	2....	BOLT ¼-20 x ½
16..	539 102759....	1....	INSULATOR	44..	574 822701....	4....	SCREW 10-24 x ¾ SKT HD
17..	576 618101....	1....	VALVE, FUEL CHECK	45..	539 110673....	2....	SCREW 10-24 x ¾ WSH HD
18..	539 916325....	1....	VALVE, FUEL	46..	539 990411....	2....	SCREW 10-24 x ½ HEX HD
19..	532 192507....	1....	SOLENOID	47..	539 111229....	1....	SCREW ¼-20 x 5/8 BTN SKT
20..	539 912222....	4....	CLAMP, HOSE	48..	539 990645....	2....	RHSNB ¾-16 x 1
21..	575 242701....	1....	BRACKET, CANISTER	49..	872 140506....	2....	RHSNB 5/16-18 x ¾
22..	539 105245....	1....	GROMMET, RUBBER	50..	539 112899....	4....	NUT 5/16-18 FLANGE NYLOC
23..	576 618201....	1....	GROMMET, CHECK VALVE	51..	521 996501....	2....	NUT ¾-16 HEX FLG NYLOC
24..	539 110432....	1....	ELBOW	52..	539 976977....	2....	NUT 10-24 HEX NYLOC
25..	539 110056....	1....	LENS, LT	53..	539 976978....	5....	NUT ¼-20 HEX NYLOC
26..	539 110455....	1....	RIM, LT	NOT SHOWN			
27..	539 110057....	1....	LENS, RT	585 727701 ... 1.... HARNESS, WIRING			
28..	539 110451....	1....	RIM, RT				

# BRAKE / LIFT

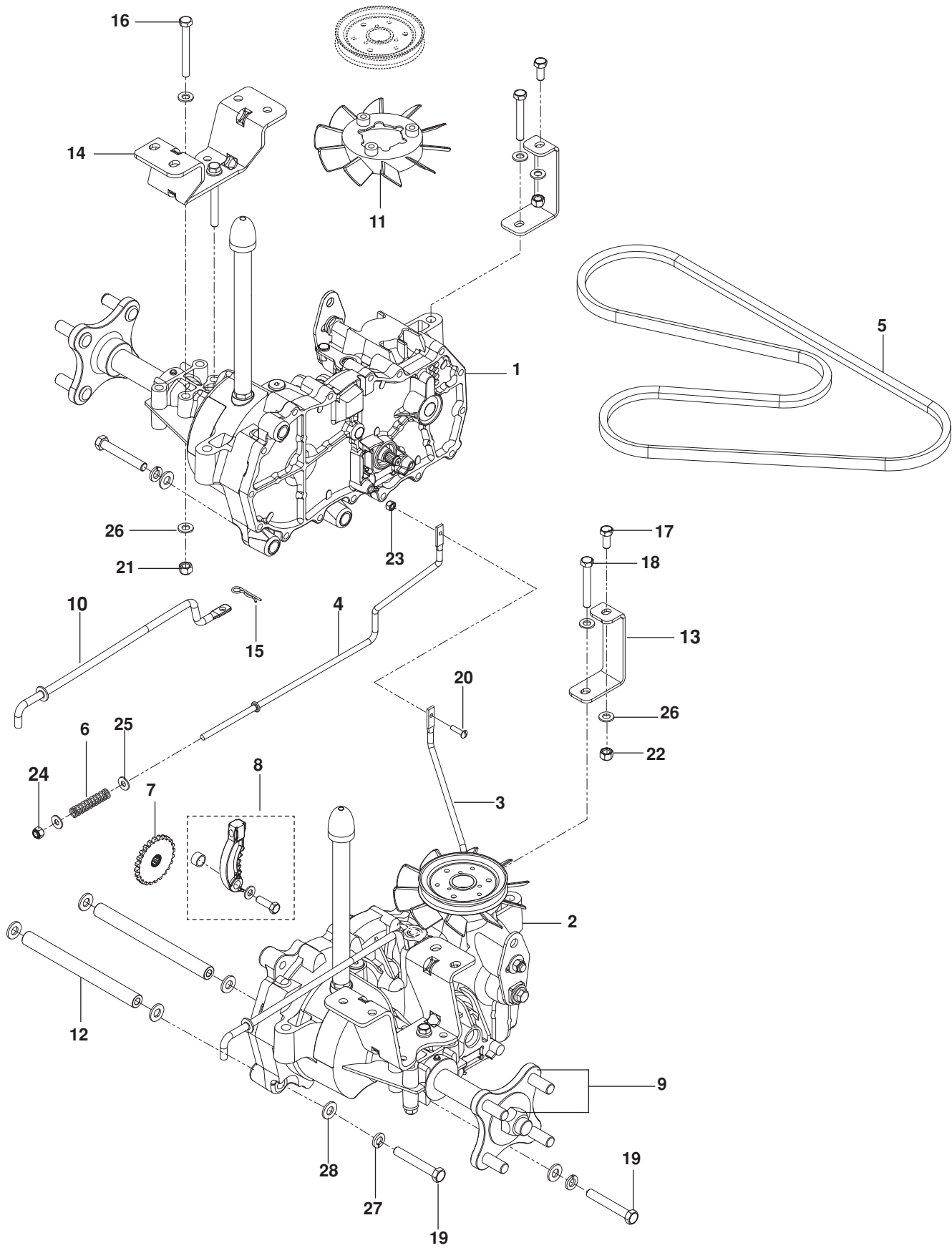


# BRAKE / LIFT

---

ITEM	PART NO.	QTY.	DESCRIPTION	ITEM	PART NO.	QTY.	DESCRIPTION
1..	580 435801....	1....	SHAFT, BRAKE	9..	525 847201....	2....	LINK, REAR SUSPENSION
2..	532 448208....	1....	SHAFT, LIFT	10..	522 858601....	2....	BRACKET, CENTERING LNK
3..	510 422901....	2....	ROD, HANDLE RELEASE	11..	532 195185....	2....	ARM, SUSPENSION RR
4..	580 960401....	1....	ROD, LATCH RELEASE	12..	873 800400....	2....	NUT ¼-20 HEX NYLOC
5..	510 030701....	2....	SPRING, COMPRESSION	13..	532 175994....	2....	NUT, LIFT LINK
6..	539 105069....	3....	E-RING	14..	510 184901....	4....	NUT, PLASTIC
7..	510 207201....	2....	GRIP, HANDLE	15..	819 091216....	1....	WASHER ¼ FLT
8..	510 207301....	2....	BUTTON, PUSH				

# HYDRAULIC PUMP / MOTOR

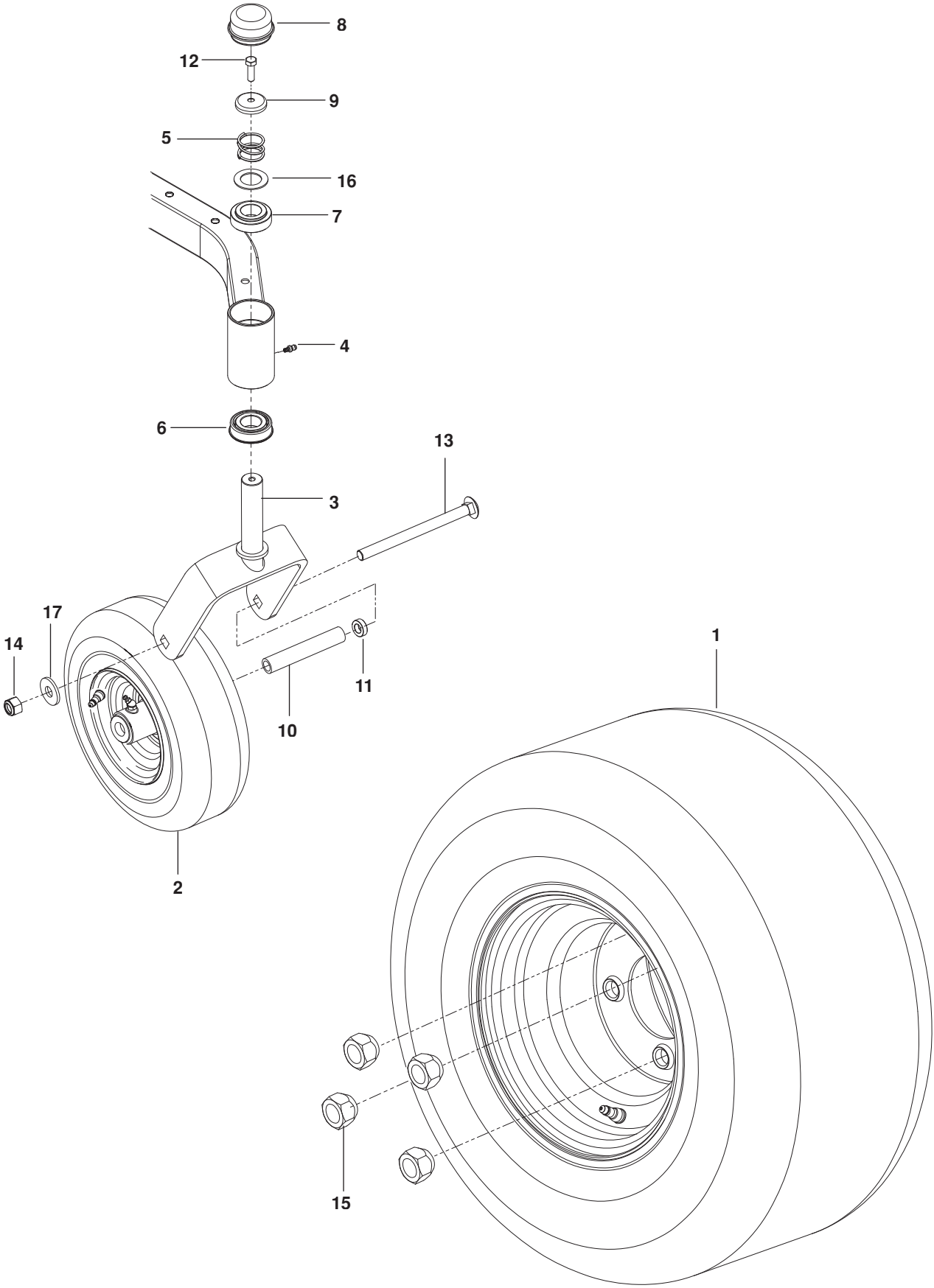


# HYDRAULIC PUMP / MOTOR

---

ITEM	PART NO.	QTY.	DESCRIPTION	ITEM	PART NO.	QTY.	DESCRIPTION
1..	510 375601....	1....	EZT, LT	15..	539 976988....	1....	HAIRPIN
2..	510 375602....	1....	EZT, RT	16..	874 780544....	4....	HCS $\frac{5}{16}$ -18 x $2\frac{3}{4}$
3..	574 030501....	1....	ROD, EZT BRAKE LT	17..	874 780512....	2....	HCS $\frac{5}{16}$ -18 x $\frac{3}{4}$
4..	574 030502....	1....	ROD, EZT BRAKE RT	18..	874 780536....	2....	HCS $\frac{5}{16}$ -18 x $2\frac{1}{4}$
5..	539 110411....	1....	BELT, EZT	19..	874 780640....	4....	HCS $\frac{3}{8}$ -16 x $2\frac{1}{2}$
6..	539 110342....	2....	SPRING, BRAKE ROD	20..	874 811012....	1....	SCREW 10-24 x $\frac{3}{4}$ SLTD RD
7..	539 120080....	2....	COG, BRAKE DISC	21..	873 800500....	8....	NUT $\frac{5}{16}$ -18 HEX NYLOC
8..	539 120079....	2....	BRAKE ARM KIT	22..	539 115617....	2....	NUT $\frac{5}{16}$ -18 NYLOC INSERT
9..	575 507001....	1....	HUB KIT w/ HUBS, NUTS	23..	539 976977....	1....	NUT 10-24 HEX NYLOC
10..	522 941101....	2....	LINK ARM, BYPASS	24..	873 800400....	2....	NUT $\frac{1}{4}$ -20 HEX NYLOC
11..	539 120785....	2....	BLADE, FAN	25..	819 091016....	4....	WASHER $\frac{1}{4}$ SAE FLT
12..	510 184101....	2....	SPACER TUBE	26..	819 111116..	14....	WASHER $\frac{5}{16}$ SAE FLT
13..	580 806502....	2....	SUPPORT, EZT FRT	27..	810 030600....	4....	WASHER $\frac{3}{8}$ SPLT LCK
14..	580 806602....	2....	MOUNT, EZT RR BLK	28..	819 131316....	8....	WASHER $\frac{3}{8}$ SAE FLT

# WHEELS AND TIRES



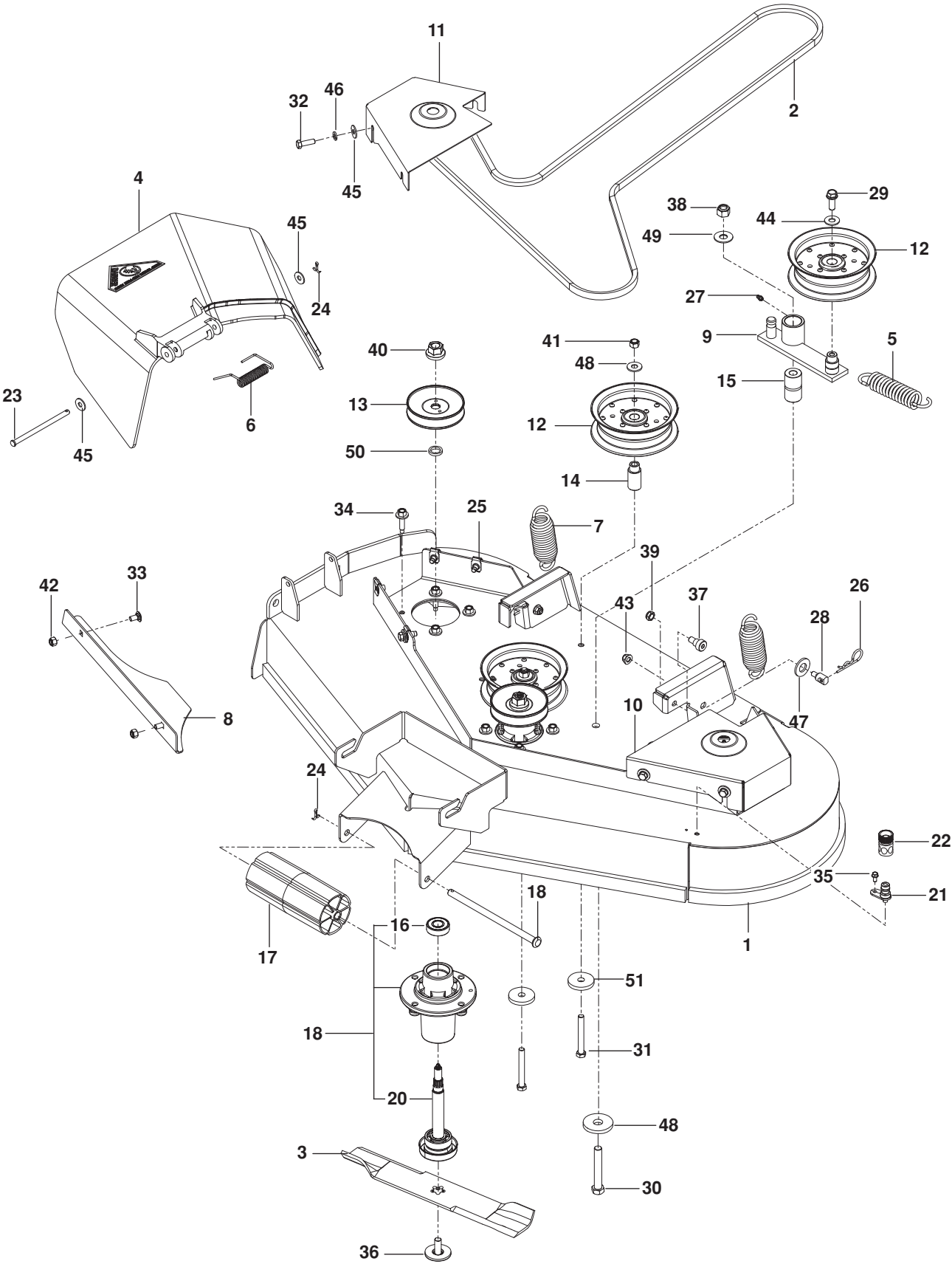


# WHEELS AND TIRES

---

ITEM	PART NO.	QTY.	DESCRIPTION	ITEM	PART NO.	QTY.	DESCRIPTION
1..	581 197601....	2....	WHEEL ASSY, REAR 18 x 8.5	10..	539 105543....	2....	SPACER
2..	581 199701....	2....	WHEEL ASSY CSTER 11 x 4.5	11..	539 114805....	4....	SPACER <sup>5</sup> / <sub>16</sub>
3..	510 186501....	2....	YOKE ORG	12..	539 115566....	2....	BOLT, HEX <sup>5</sup> / <sub>16</sub> -18 x 1 NYLOC
4..	539 115638....	2....	ZERK <sup>3</sup> / <sub>16</sub> DRIVE	13..	539 121159....	2....	RHSNB <sup>1</sup> / <sub>2</sub> -13 x 6 <sup>1</sup> / <sub>2</sub>
5..	539 115747....	2....	SPRING, CASTER	14..	539 200100....	2....	NUT <sup>1</sup> / <sub>2</sub> -13 HEX CNTRLK
6..	539 112660....	2....	BEARING, FLANGED	15..	539 101173....	8....	NUT <sup>1</sup> / <sub>2</sub> LUG
7..	539 117901....	2....	BUSHING, CASTER	16..	539 115675....	2....	WASHER
8..	539 102535....	2....	GREASE CAP	17..	819 182212....	2....	WASHER <sup>9</sup> / <sub>16</sub>
9..	539 115749....	2....	PLUG, CASTER				

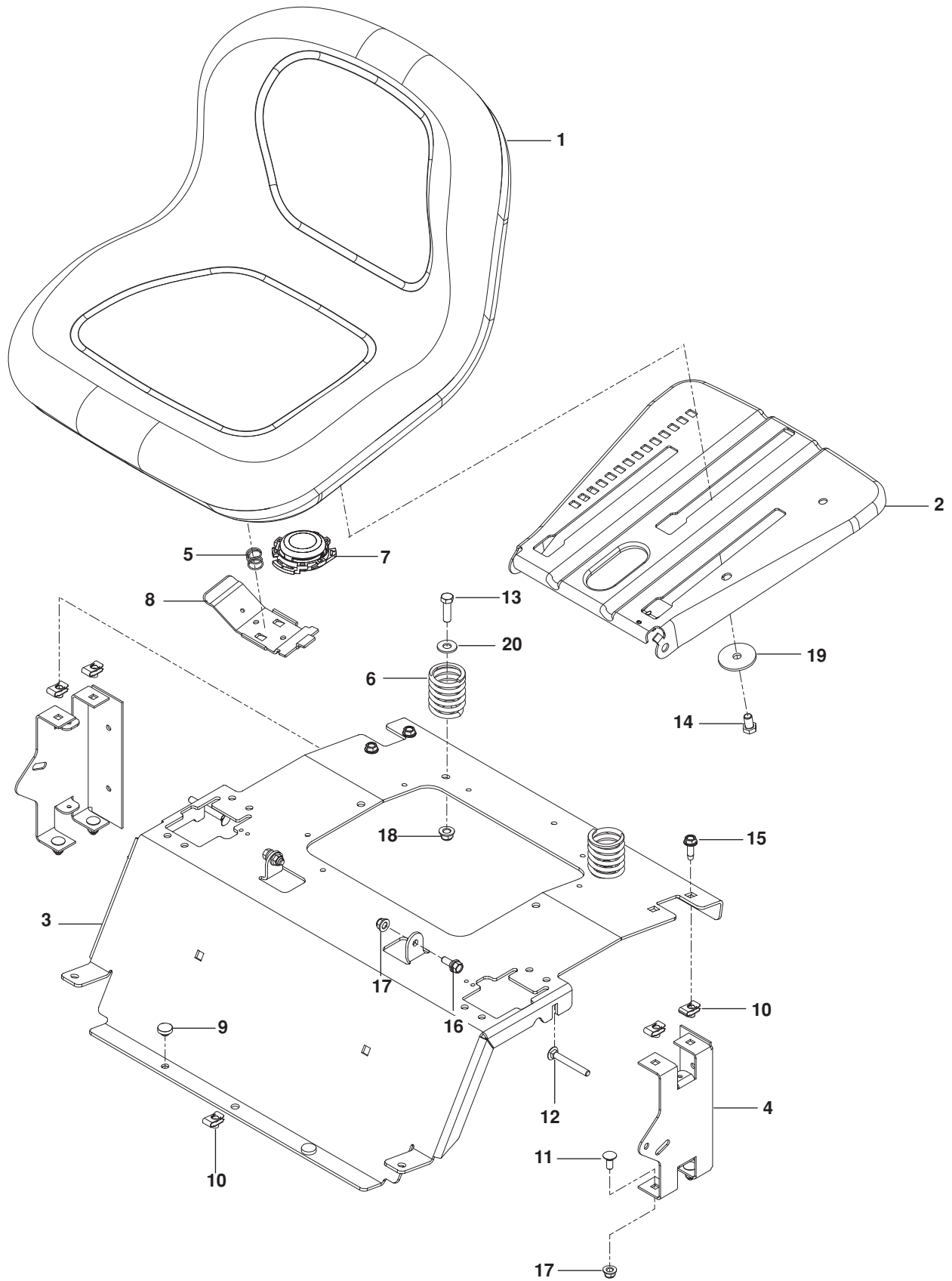
# MOWER DECK / CUTTING DECK



# MOWER DECK / CUTTING DECK

ITEM	PART NO.	QTY.	DESCRIPTION	ITEM	PART NO.	QTY.	DESCRIPTION
1..	574 761802....	1....	DECK w/SAFETY DECALS	27..	539 976998....	1....	ZERK
2..	539 117245....	1....	BELT, DECK	28..	532 195161....	2....	STUD w/ ANTI-ROTATE
3..	539 112078....	3....	BLADE, 14 5/8	29..	539 990582....	1....	HCS 3/8-16 x 1
4..	539 110731....	1....	DISCHARGE CHUTE	30..	539 103433....	1....	HCS 1/2-13 x 3/4
5..	539 103256....	1....	SPRING	31..	874 780648....	2....	HCS 3/8-16 x 3
6..	539 110735....	1....	SPRING, TORSION	32..	874 780516....	8....	HCS 5/16-18 x 1
7..	539 118762....	2....	SPRING	33..	872 110505....	2....	RHSNB 5/16-18 x 5/8
8..	539 112413....	1....	CONFINEMENT PLATE	34..	532 173984..	12....	SCREW 5/16-18 x WSHR HD
9..	539 112198....	1....	ARM, IDLER	35..	817 490408....	1....	SCREW 1/4-20 x 1/2 THDROL
10..	539 112240....	1....	BELT SHIELD, LT ORG	36..	532 193003....	3....	BOLT WASHER ASSY
11..	539 112238....	1....	BELT SHIELD, RT ORG	37..	539 113621....	2....	BOLT 3/8-16 x 1 1/4 SHOULDER
12..	539 132728....	3....	PULLEY, IDLER	38..	539 101331....	1....	NUT 1/2-13 HEX NYLOC
13..	525 348501....	3....	PULLEY, MANDREL	39..	539 112899....	2....	NUT 5/16-18 HEX FLG NYLOC
14..	539 112169....	2....	BUSHING, IDLER	40..	532 400234....	3....	NUT 9/16 TOP CNTRLK
15..	539 103427....	1....	BUSHING, PIVOT	41..	539 976979....	2....	NUT 3/8-16 HEX NYLOC
16..	532 110485....	1....	BEARING	42..	873 800500....	2....	NUT 5/16-18 HEX NYLOC
17..	532 176066....	1....	ROLLER, NOSE	43..	539 200282....	2....	NUT 3/8-16 HEX JAM NYLOC
18..	532 179127....	1....	ROD, ROLLER, NOSE	44..	819 141614....	3....	WASHER 3/8 STD FLT
19..	539 112170....	3....	MANDREL	45..	819 121414..	10....	WASHER 5/16 STD FLT
20..	532 187291....	1....	SHAFT, MANDREL	46..	810 030500....	8....	WASHER 5/16 SLW
21..	532 415598....	1....	PORT, WASHOUT	47..	819 212113....	2....	WASHER 5/8 SAE FLT
22..	532 416405....	1....	COUPLING, CONNECT	48..	539 102243....	1....	WASHER, SUPPORT
23..	539 110736....	1....	PIN, CLEVIS 5/16 x 5	49..	539 990550....	1....	WASHER 1/2
24..	876 020412....	2....	PIN, COTTER 1/8 x 3/4	50..	532 187690....	3....	WASHER, SPACER
25..	539 104763....	8....	RETAINER, U TYPE	51..	539 106504....	2....	WASHER, HEAVY
26..	539 976989....	2....	HAIRPIN #4				

# SEAT

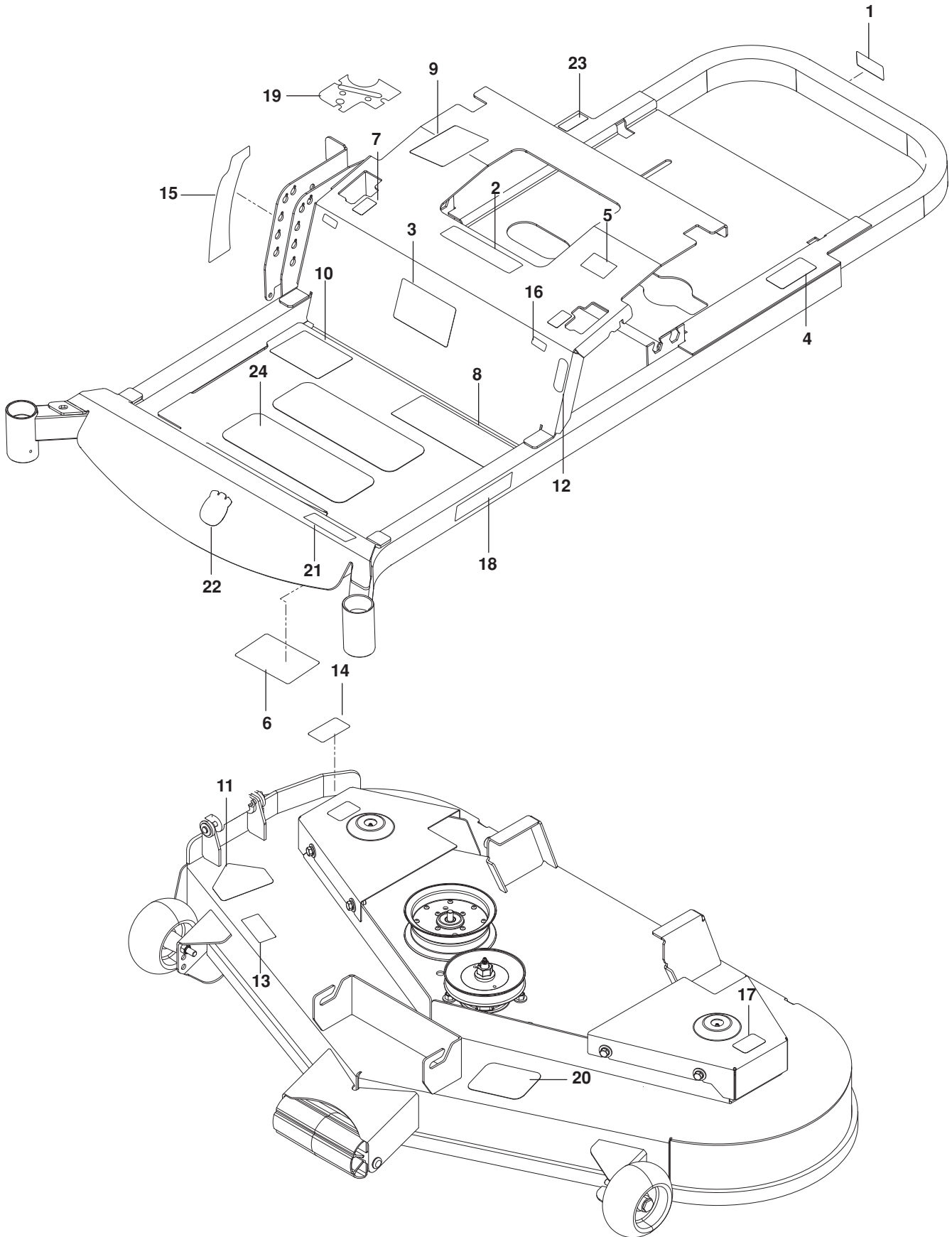


# SEAT

---

ITEM	PART NO.	QTY.	DESCRIPTION	ITEM	PART NO.	QTY.	DESCRIPTION
1..	532 439822....	1....	SEAT	11..	872 140506....	4....	RHSNB $\frac{5}{16}$ -18 x $\frac{3}{4}$
2..	532 196977....	1....	PAN, SEAT BLK	12..	510 422701....	2....	RHSNB $\frac{5}{16}$ -18 x $2\frac{1}{2}$
3..	577 260503....	1....	SUPPORT, SEAT, ORG	13..	874 780620....	2....	HCS $\frac{3}{8}$ -16 x $1\frac{1}{4}$
4..	580 308202....	2....	SUPPORT, SEAT RR BLK	14..	539 108503....	1....	HCS $\frac{3}{8}$ -16 x $\frac{5}{8}$
5..	532 198200....	1....	SPRING, LATCH	15..	817 490512....	4....	BOLT $\frac{5}{16}$ -18 x $\frac{3}{4}$ THD FRM
6..	532 124181....	2....	SPRING, SEAT	16..	539 110303....	2....	BOLT $\frac{5}{16}$ -18 SHOULDER
7..	539 132140....	1....	SWITCH, SEAT	17..	539 112899....	8....	NUT $\frac{5}{16}$ -18 HEX FLG NYLOC
8..	532 197661....	1....	HANDLE, SLIDE	18..	521 996501....	2....	NUT $\frac{3}{8}$ -16 HEX FLG NYLOC
9..	539 102587....	2....	GROMMET, BUMPER	19..	539 111897....	1....	WASHER $\frac{3}{8}$ SPECIAL
10..	539 104763....	5....	RETAINER, U TYPE	20..	819 141614....	2....	WASHER $\frac{3}{8}$ STD FLT

# DECALS



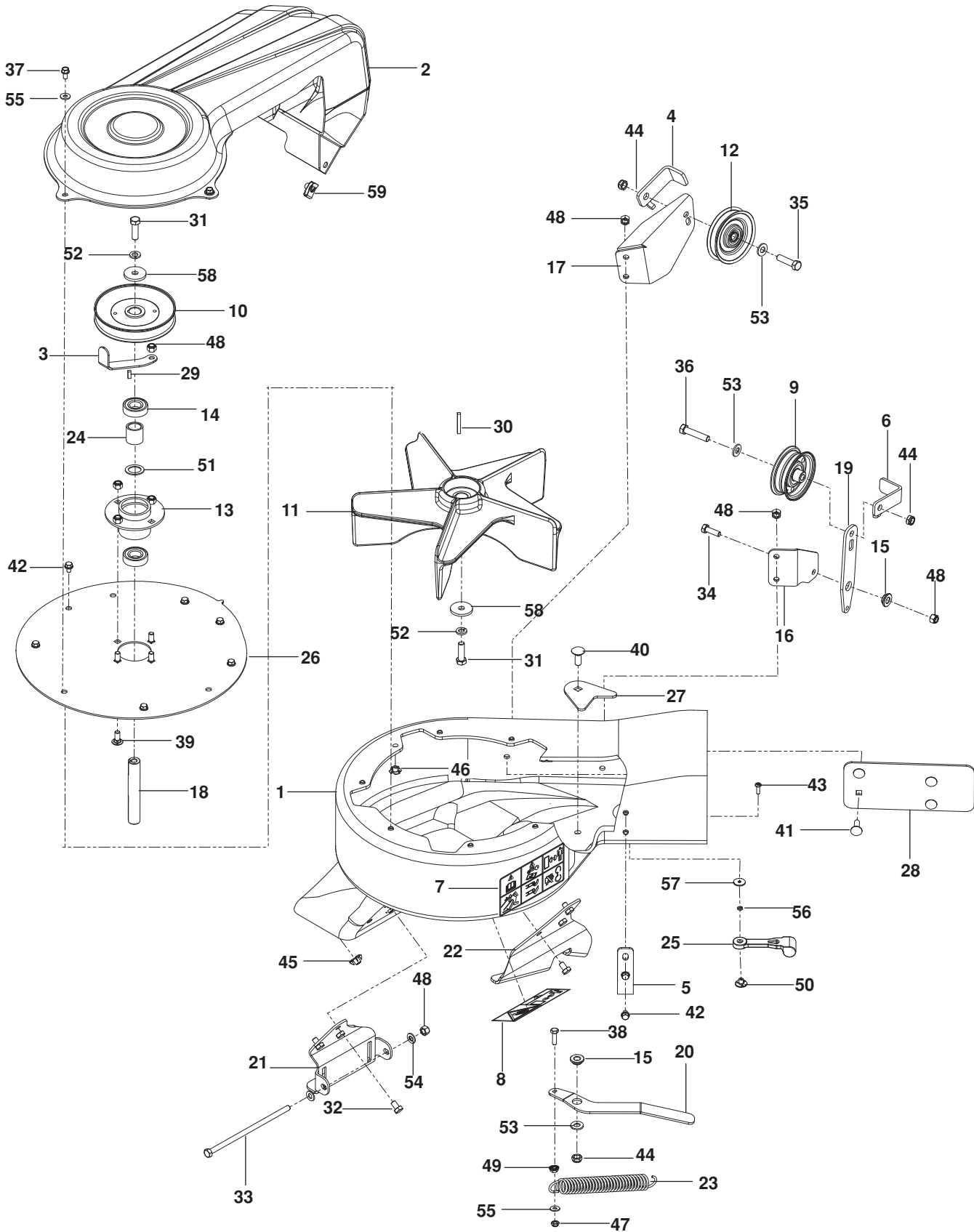
# DECALS

---

ITEM	PART NO.	QTY.	DESCRIPTION	ITEM	PART NO.	QTY.	DESCRIPTION
1..	539 101881....	1....	DECAL, EXHAUST	13..	539 105746....	1....	DECAL, SEVERING
2..	539 105745....	1....	DECAL, BATTERY WARNING	14..	581 724401....	1....	DECAL, DISCHARGE
3..	539 108179....	1....	DECAL, START	15..	576 979101....	1....	DECAL, HEIGHT
4..	539 108385....	1....	DECAL, DO NOT TOW	16..	539 110974....	1....	DECAL, TRACKING
5..	539 108386....	1....	DECAL, EXIT	17..	581 724301....	2....	DECAL, NO STEP
6..	539 109897....	1....	DECAL, SERVICE	18..	532 429196....	2....	DECAL, HUSQVARNA
7..	539 103333....	2....	DECAL, MOTION CONTROL	19..	576 916702....	1....	DECAL, CONTROLS
8..	539 109908....	1....	DECAL, SAFETY WARNING	20..	539 112620....	1....	DECAL, BELT ROUTING
9..	539 110522....	1....	DECAL, RESPONSIBILITIES	21..	521 1949321..	1....	DECAL, RZ4222F
10..	539 113213....	1....	DECAL, SAFETY	22..	532 428676....	1....	DECAL, CROWN
11..	539 913010....	1....	DECAL, BLADES	23..	532 424102....	1....	DECAL, SPARK ARRESTOR
12..	539 120006....	1....	DECAL, PARK BRAKE	24..	539 977778....	3....	ABRASIVE PAD

# ACCESSORIES

## Blower



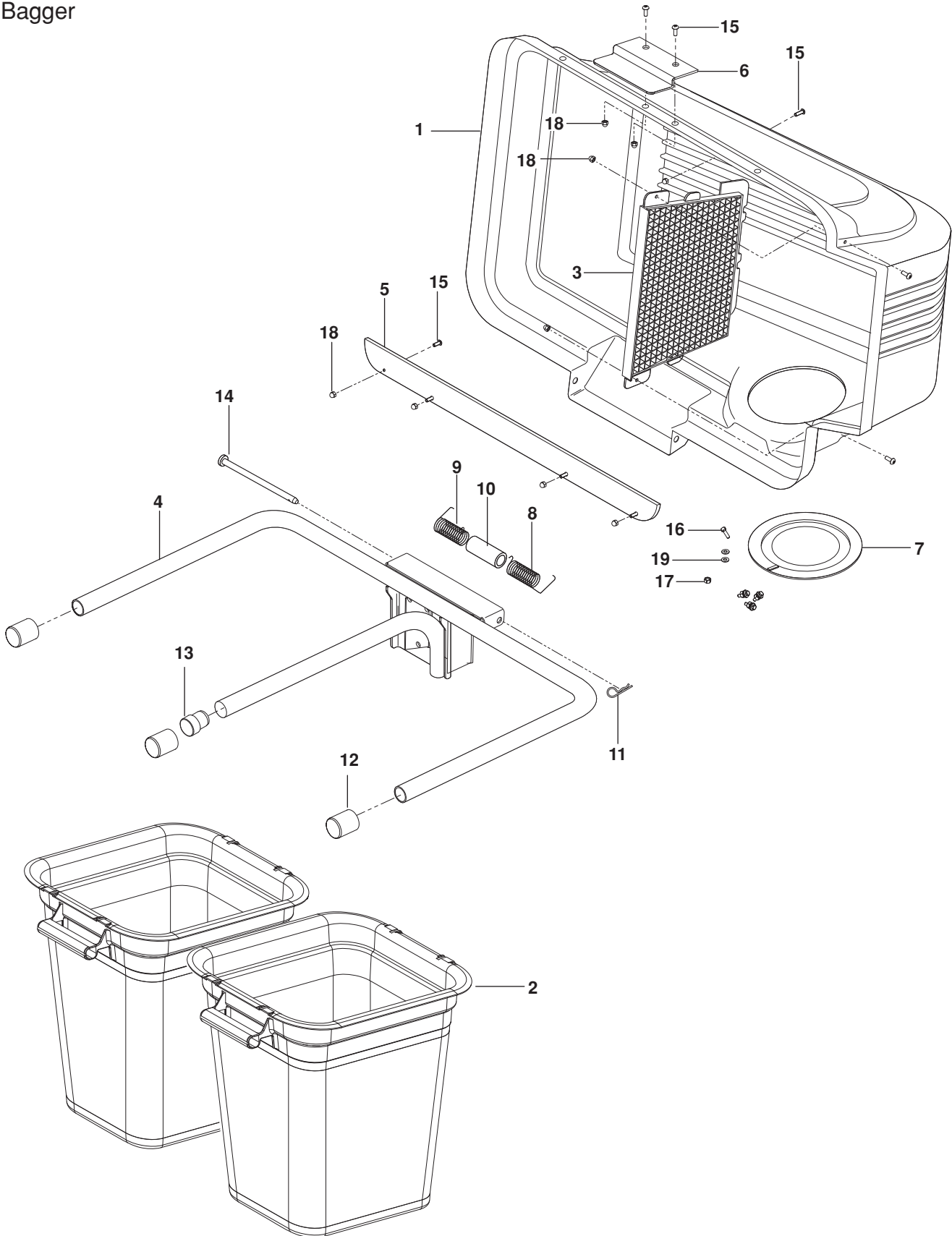


# ACCESSORIES

ITEM	PART NO.	QTY.	DESCRIPTION	ITEM	PART NO.	QTY.	DESCRIPTION
1..	539 130344....	1....	HOUSING w/DECALS	30..	539 125229....	1....	KEY $\frac{3}{16}$ x $1\frac{1}{2}$
2..	539 130293....	1....	COVER, BELT	31..	539 110321....	2....	HCS $\frac{3}{8}$ -24 x $1\frac{1}{4}$ GR 8
3..	539 131085....	1....	KEEPER, BELT OUTER	32..	539 130315....	6....	HCS $\frac{5}{16}$ -18 x $\frac{1}{2}$
4..	579 137602....	2....	KEEPER, BELT REAR	33..	539 105826....	1....	HCS $\frac{5}{16}$ -18 x 7
5..	539 130346....	1....	KEEPER	34..	539 990209....	1....	HCS $\frac{5}{16}$ -18 x 1
6..	579 137702....	1....	KEEPER	35..	539 990655....	1....	HCS $\frac{3}{8}$ -16 x $1\frac{1}{2}$
7..	539 105785....	1....	DECAL, WARNING	36..	539 976949....	1....	HCS $\frac{3}{8}$ -16 x $1\frac{3}{4}$
8..	539 106741....	1....	DECAL, SEVERING	37..	539 108461....	3....	HCS $\frac{1}{4}$ -20 x $\frac{1}{2}$
9..	579 150802....	1....	PULLEY, IDLER	38..	539 990643....	1....	HCS $\frac{1}{4}$ -20 x $\frac{7}{8}$
10..	539 130324....	1....	PULLEY	39..	539 990316....	4....	RHSNB $\frac{5}{16}$ -18 x $\frac{3}{4}$
11..	539 130292....	1....	IMPELLER	40..	539 990645....	1....	RHSNB $\frac{3}{8}$ -16 x 1
12..	539 113683....	1....	V-IDLER	41..	539 990208....	4....	RHSNB $\frac{5}{16}$ -18 x 1
13..	539 130295....	1....	HUB, BEARING	42..	539 990302....	8....	SCREW $\frac{1}{4}$ x $\frac{3}{8}$ THRD FRM
14..	539 130296....	2....	BEARING	43..	539 976952....	1....	SCREW #10-24 x $\frac{5}{8}$
15..	539 130301....	2....	BUSHING	44..	539 200282....	3....	NUT $\frac{3}{8}$ -16 HEX JAM NYLOC
16..	579 137402....	1....	MOUNT, IDLER, UPPER	45..	539 130313....	6....	NUT $\frac{5}{16}$ -18 TEE
17..	579 137502....	1....	MOUNT, IDLER, LOWER	46..	539 130314..	11....	NUT $\frac{1}{4}$ -20 TEE
18..	539 130316....	1....	SHAFT, IMPELLER	47..	539 108120....	1....	NUT $\frac{1}{4}$ -20 HEX NYLOC
19..	579 137302....	1....	ARM, IDLER	48..	539 990717..	10....	NUT $\frac{5}{16}$ -18 HEX NYLOC
20..	539 130338....	1....	ARM, TENSION	49..	539 108735....	1....	NUT $\frac{1}{4}$ -20 HEX FLANGE
21..	539 130339....	1....	BRACKET, MOUNT, FRONT	50..	539 108089....	1....	WELD NUT, PLATED
22..	539 130340....	1....	BRACKET, MOUNT, REAR	51..	539 910935....	1....	WASHER
23..	539 101977....	1....	TRACTION SPRING	52..	539 990118....	2....	WASHER $\frac{3}{8}$ SPLT LOCK
24..	539 130323....	1....	SPACER	53..	539 990122....	3....	WASHER $\frac{3}{8}$ SAE FLT
25..	539 108088....	1....	LATCH, HOOD	54..	539 990188....	2....	WASHER $\frac{5}{16}$ SAE FLAT
26..	539 130341....	1....	PLATE, OUTER	55..	539 990055....	4....	WASHER $\frac{1}{4}$ FLAT SAE
27..	539 132124....	1....	PLATE, BACKING	56..	539 109552....	2....	WASHER $\frac{3}{16}$ LOCK
28..	539 132122....	1....	PLATE, BACKING	57..	539 108084....	2....	WASHER $\frac{3}{16}$ x $\frac{3}{4}$ x 16 GA
29..	539 115667....	1....	KEY $\frac{3}{16}$ x $\frac{1}{2}$	58..	539 110323....	2....	WASHER, HARDENED
				59..	539 104763....	1....	RETAINER U TYPE

# ACCESSORIES

## Bagger



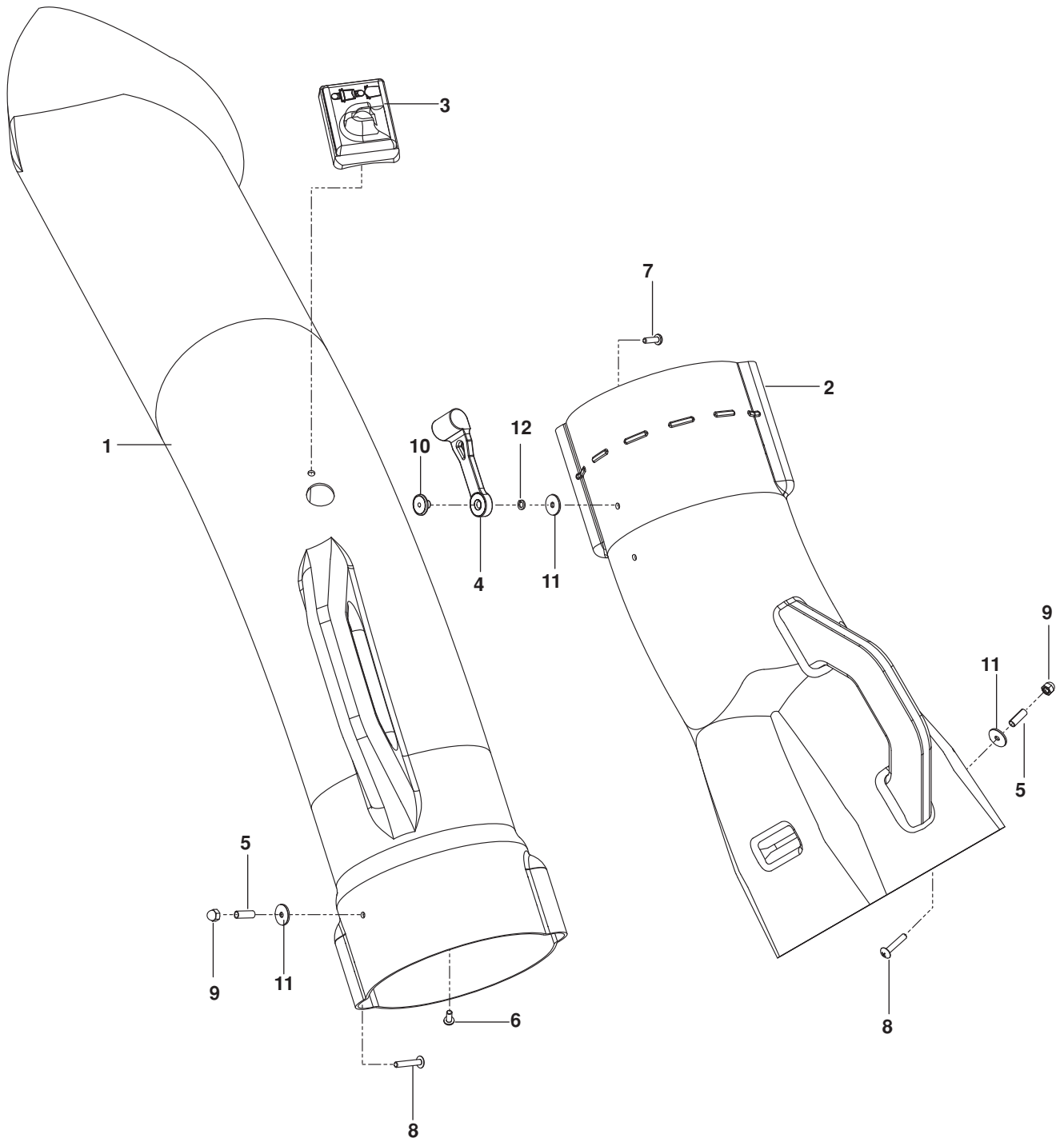
# ACCESSORIES

---

ITEM	PART NO.	QTY.	DESCRIPTION	ITEM	PART NO.	QTY.	DESCRIPTION
1..	539 111139....	1....	COVER ASSY, COMPLETE	11..	539 108096....	1....	HAIRPIN, RETAINER
2..	532 400226....	2....	CONTAINER, SOFT BAG	12..	539 108097....	3....	CAP, TUBING END
3..	532 127533....	1....	SCREEN, COVER	13..	522 801301....	1....	SPACER PLUG
4..	532 179746....	1....	BAGGER, FRAME	14..	532 192786....	1....	PIN, HINGE
5..	532 155042....	1....	STRIP, REINFORCEMENT	15..	539 976952....	9....	SCREW #10-24 x 5/8
6..	532 130895....	1....	LATCH HANDLE, COVER	16..	539 106312....	4....	SCREW #10-24 x 3/4
7..	532 127534....	1....	GASKET	17..	539 976977....	4....	NUT #10-24 HEX NYLOC
8..	532 132796....	1....	SPRING, COVER LH	18..	539 108086....	9....	NUT #10-24 ACORN
9..	532 132983....	1....	SPRING, COVER RH	19..	539 105408....	8....	WASHER #10 FLAT
10..	532 133235....	1....	SPACER, COVER				

# ACCESSORIES

## Chutes



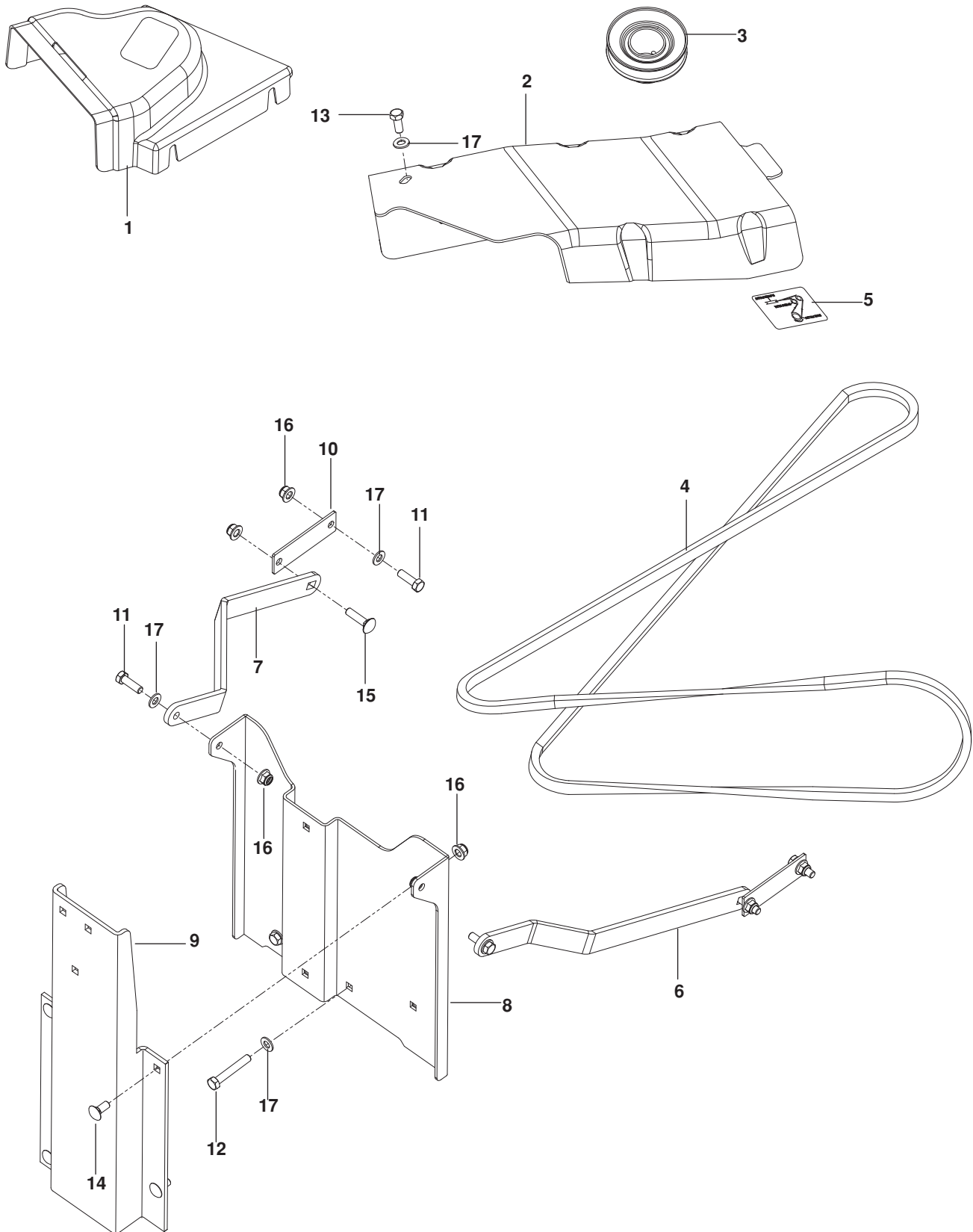
# ACCESSORIES

---

ITEM	PART NO.	QTY.	DESCRIPTION	ITEM	PART NO.	QTY.	DESCRIPTION
1..	522 739202....	1....	CHUTE, UPPER	7..	539 976952....	1....	SCREW #10-24 x 5/8
2..	539 130294....	1....	CHUTE, MIDDLE	8..	539 108083....	2....	SCREW #10-24 x 1 1/8
3..	539 108082....	1....	INDICATOR, BAG DUMP	9..	539 108086....	2....	NUT #10-24 ACORN
4..	539 108088....	1....	LATCH, HOOD	10..	539 108089....	1....	WELD NUT, PLATED
5..	539 108085....	2....	SPACER, SPLIT	11..	539 108084....	3....	WASHER 3/16 x 3/4 x 16 GA
6..	539 108081....	1....	SCREW #10-14 x 1/2	12..	539 109552....	2....	WASHER 3/16 LOCK

# ACCESSORIES

## Guards, Mounts and Belt



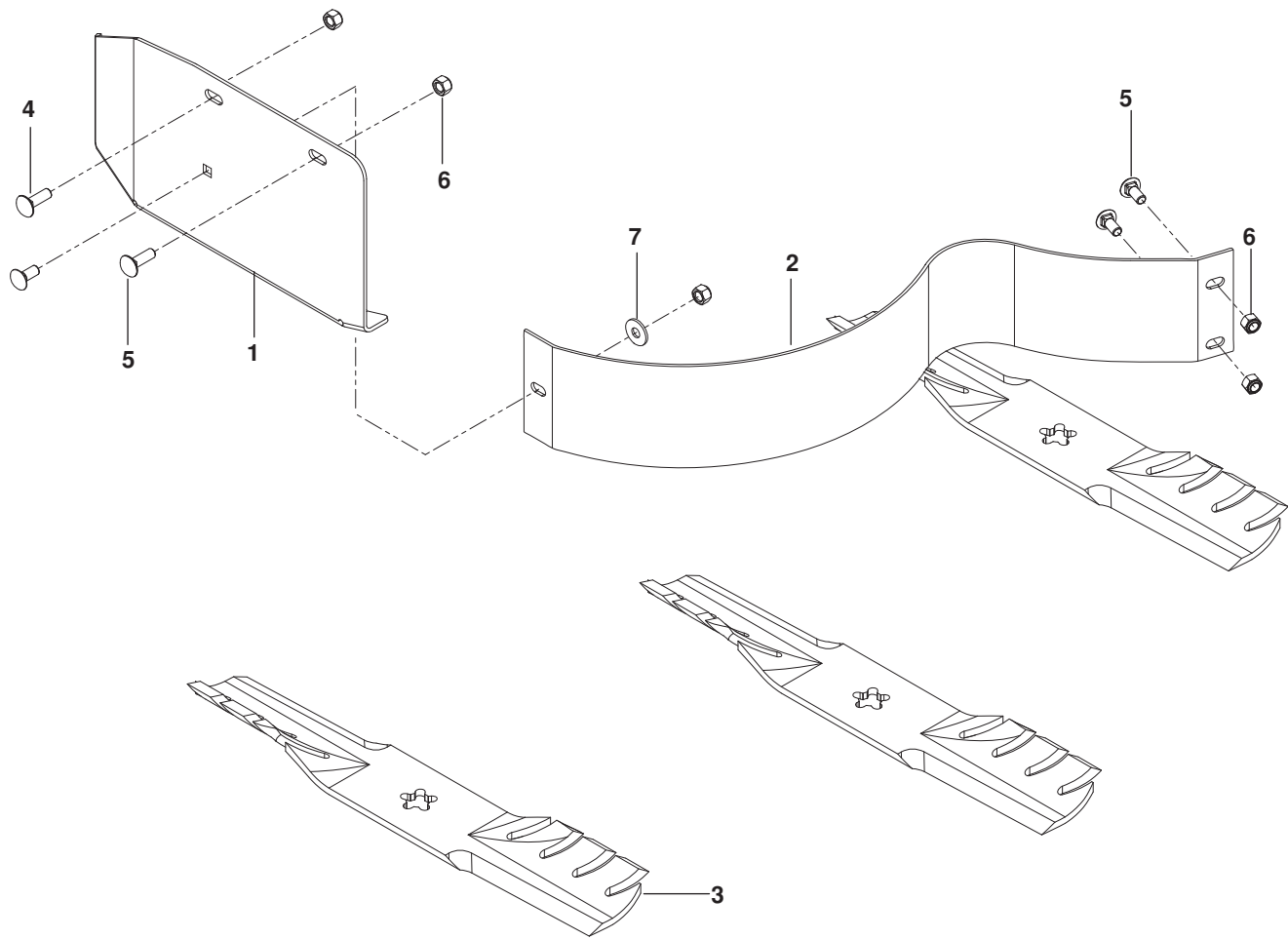
# ACCESSORIES

---

ITEM	PART NO.	QTY.	DESCRIPTION	ITEM	PART NO.	QTY.	DESCRIPTION
1..	573 944201....	1....	SHIELD, BELT	10..	523 112802....	2....	PLATE REINFORCEMENT
2..	539 130309....	1....	COVER, OUTER PULLEY	11..	539 990209....	4....	HCS $5/16$ -18 x 1
3..	573 944001....	1....	PULLEY	12..	539 976938....	2....	HCS $5/16$ -18 x 2 $1/4$
4..	539 132347....	1....	BELT	13..	539 976934....	1....	HCS $5/16$ -18 x $3/4$
5..	539 130349....	1....	DECAL, BELT ROUTING	14..	539 990316....	4....	RHSNB $5/16$ -18 x $3/4$
6..	522 854402....	1....	STRAP, SUPPORT, RT	15..	539 100472....	2....	RHSNB $5/16$ -18 x 1 $1/4$
7..	522 854502....	1....	STRAP, SUPPORT, LT	16..	539 112899..	12....	NUT $5/16$ -18 FLANGE NYLOC
8..	522 854602....	1....	MOUNT, 2 BIN COLLECT	17..	539 990188....	7....	WASHER $5/16$ SAE FLAT
9..	522 854702....	1....	BRACKET, COLLECTION				

# ACCESSORIES

## Mulch Kit





# ACCESSORIES

---

ITEM	PART NO.	QTY.	DESCRIPTION
1..	539 112346....	1....	42 MULCH CAP
2..	539 112419....	1....	42 MULCH BAFFLE
3..	573 953001....	3....	BLADE, 14 <sup>5/8</sup> "
4..	539 990208....	2....	RHSNB <sup>5/16</sup> -18 x 1

ITEM	PART NO.	QTY.	DESCRIPTION
5..	539 990316....	3....	RHSNB <sup>5/16</sup> -18 x <sup>3/4</sup>
6..	539 990717....	5....	NUT <sup>5/16</sup> -18 NYLOC
7..	539 990692....	1....	WASHER <sup>5/16</sup>





