

Gasoline containing up to 10% ethanol (E10) is acceptable for use in this machine. The use of any gasoline exceeding 10% ethanol (E10) will void the product warranty.

Parts Manual

RZ 46i / 967277601



Please read the operator's manual carefully and make sure you understand the instructions before using the machine.

When you need spare parts or support in service questions, warranty issues, etc., please consult the following professional:

This Parts Manual belongs to the machine with the manufacturing number:	Engine	Transmission

Manufacturing Number

The machine's manufacturing number can be found on the printed plate affixed to the engine compartment.

Stated on the plate, from the top are:

- The machine's type designation (I.D.).
- The manufacturer's type number (Model).
- The machine's serial number (Serial no.)

Please have the type designation and serial number available when ordering spare parts.

The engine's manufacturing number is stamped on one of the valve covers.

The plate states:

- The engine's model.
- The engine's type.
- Code

Please have these available when ordering spare parts.

The wheel motors and hydrostatic pumps have a barcode decal affixed at the rear.

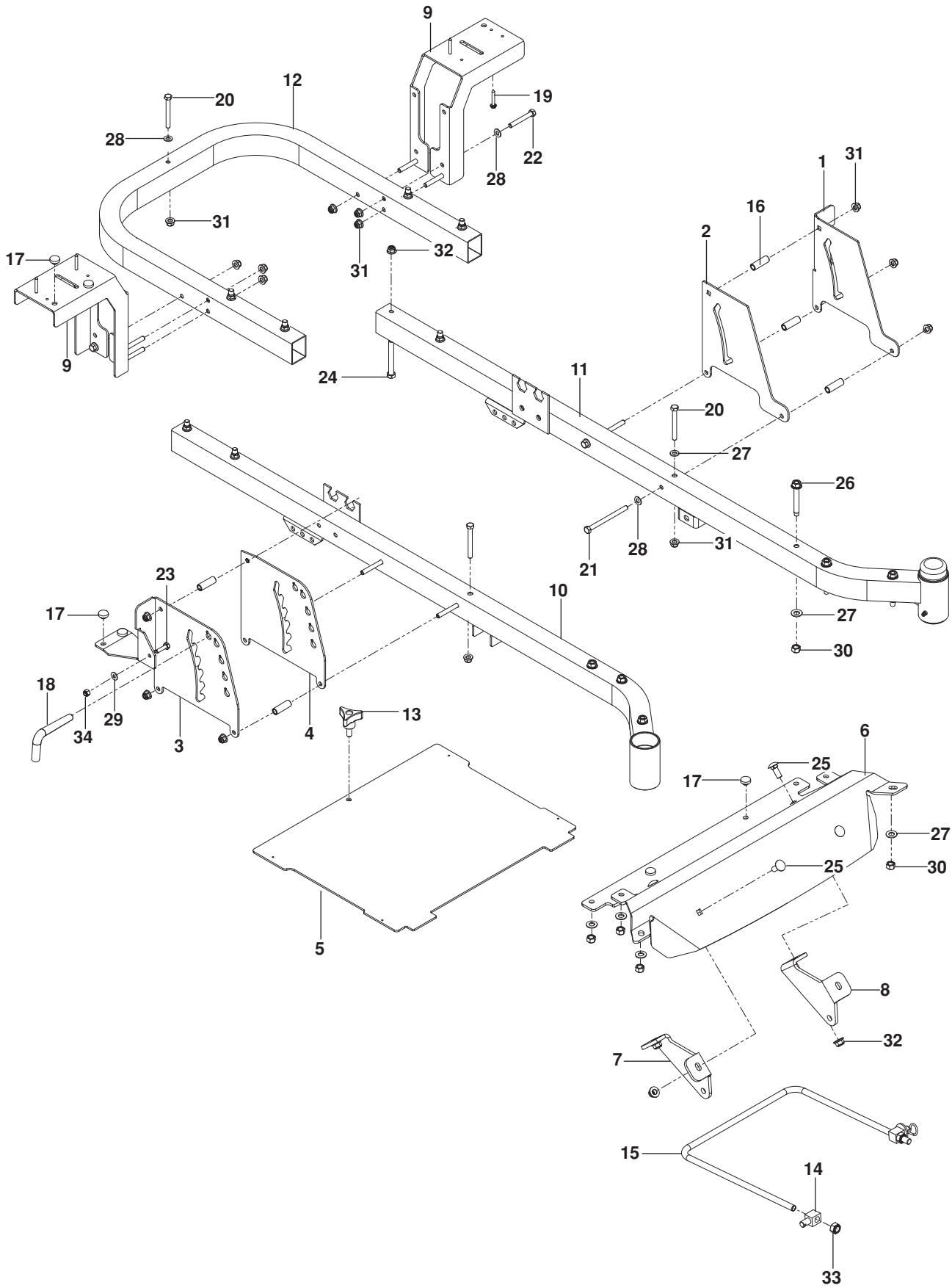
Accessories Available	
COLLECTION SYSTEM	966 004101
MULCH KIT	531 309580

CONTENTS

FRAME.....	4
ENGINE PLATE.....	6
STEERING	8
IGNITION.....	10
HYDRAULIC PUMP / MOTOR	12
WHEELS AND TIRES.....	14
BRAKE / LIFT.....	16
MOWER DECK / CUTTING DECK.....	18
SEAT	20
DECALS.....	22
ACCESSORIES	
BAGGER	24
CHUTES, MOUNT	26

NOTE: ALL FASTENERS ARE GRADE 5 UNLESS OTHERWISE SPECIFIED.

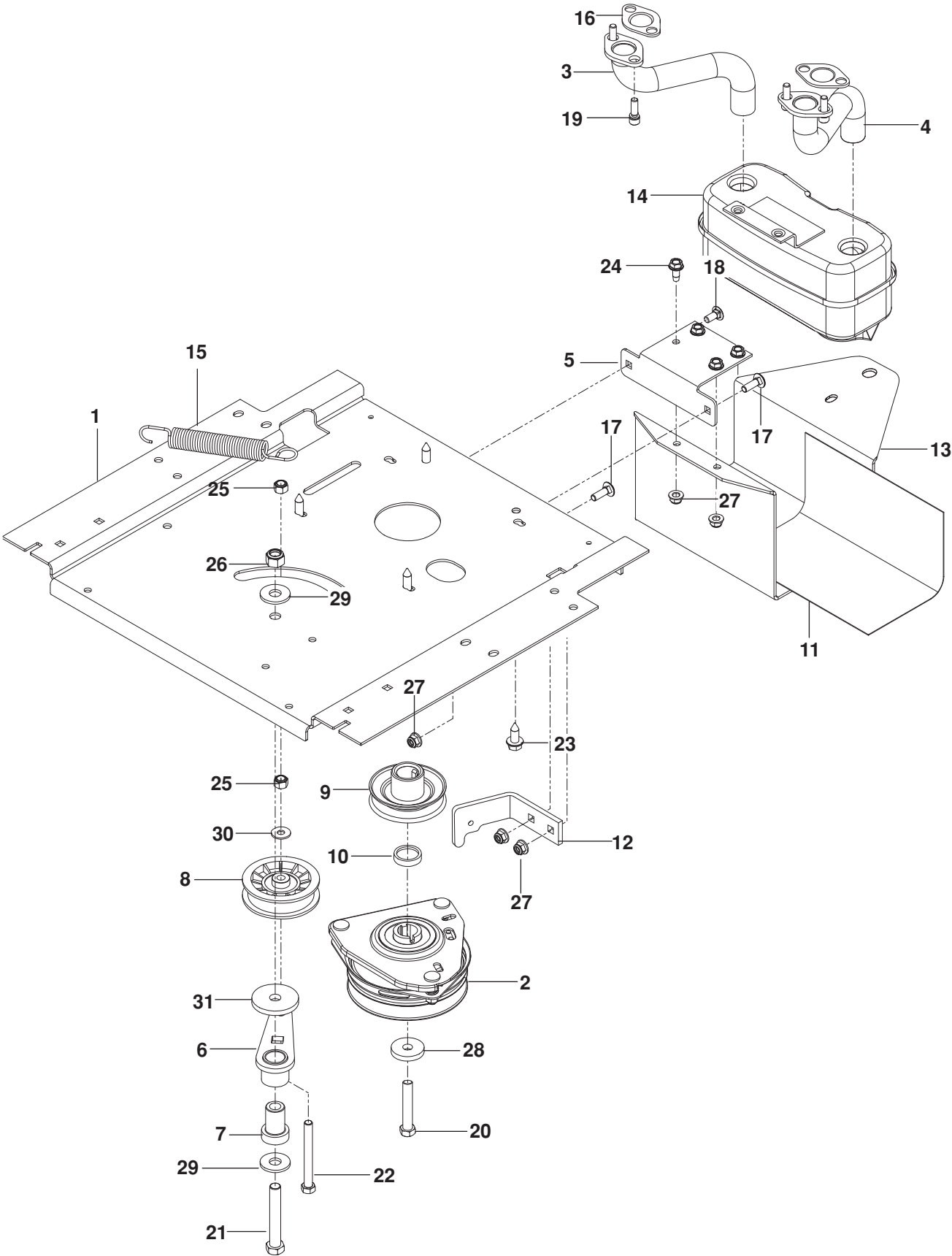
FRAME



FRAME

ITEM	PART NO.	QTY.	DESCRIPTION	ITEM	PART NO.	QTY.	DESCRIPTION
1..	510 261802....	1....	PLATE, OUTER BRAKE BLK	18..	510 016503....	1....	LIFT PIN
2..	510 206703....	1....	PLATE, BRAKE LATCH BLK	19..	539 110674....	4....	SCREW 10-12 x 1¼ HEX WSH
3..	580 528002....	1....	PLATE, LIFT OUTER BLK	20..	874 780544....	3....	HCS 5/16-18 x 2¾
4..	510 240502....	1....	PLATE, LIFT INNER BLK	21..	874 780564....	4....	HCS 5/16-18 x 4
5..	581 448602....	1....	FOOT PLATE ORG	22..	874 780536....	6....	HCS 5/16-18 x 2¼
6..	522 719506....	1....	FOOT REST ORG	23..	874 780416....	2....	HCS ¼-20 x 1
7..	581 222802....	1....	MOUNT, STRUT RT BLK	24..	874 780648....	8....	HCS 3/8-16 x 3
8..	581 222902....	1....	MOUNT, STRUT LT BLK	25..	872 141608....	4....	RHSNB 3/8-16 x 1
9..	510 225902....	2....	SUPPORT, FENDER BLK	26..	874 490644....	6....	BOLT 3/8-16 x 2¾ THD FRM
10..	510 177503....	1....	FRAME, FRONT RT ORG	27..	819 141614....	6....	WASHER 3/8 STD FLT
11..	510 177403....	1....	FRAME, FRONT LT ORG	28..	819 111116..	13....	WASHER 5/16 SAE FLT
12..	510 177603....	1....	FRAME, REAR TUBE ORG	29..	819 091016....	2....	WASHER ¼ SAE FLT
13..	539 104411....	1....	KNOB w/ STUD	30..	539 200282....	6....	NUT 3/8-16 HEX JAM NYLOC
14..	581 514301....	2....	SWIVEL	31..	539 112899..	15....	NUT 5/16-18 HEX FLG NYLOC
15..	521 938101....	1....	LINK, FRONT SUSPENSION	32..	521 996501....	8....	NUT 3/8-16 HEX FLG NYLOC
16..	580 486101....	6....	SPACER ½ OD x 1½	33..	539 119124....	2....	NUT 7/16-14 HEX NYLOC
17..	539 102587....	6....	GROMMET, BUMPER	34..	873 800400....	2....	NUT ¼-20 HEX NYLOC

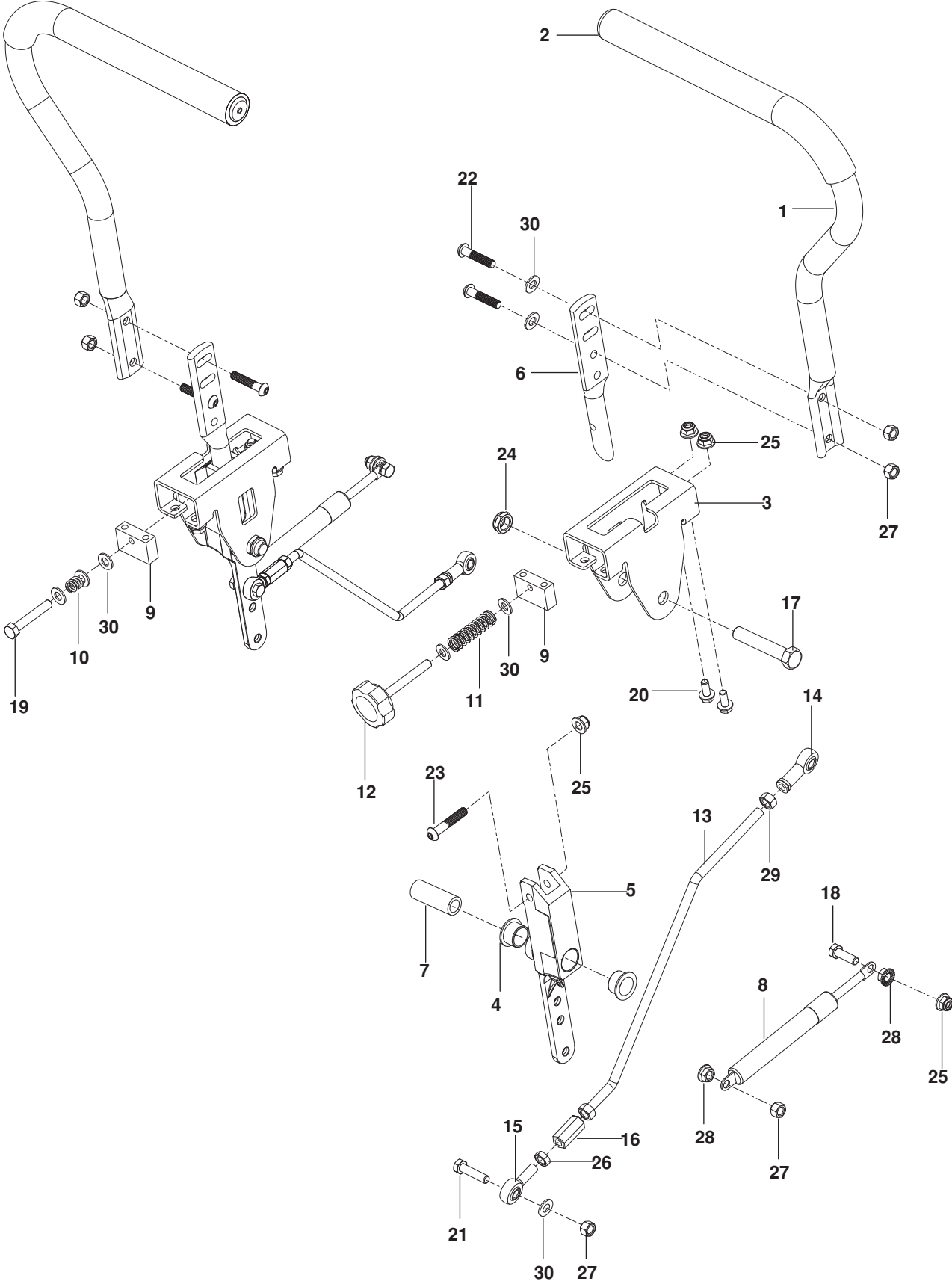
ENGINE PLATE



ENGINE PLATE

ITEM	PART NO.	QTY.	DESCRIPTION	ITEM	PART NO.	QTY.	DESCRIPTION
1..	532 448161....	1....	PLATE, ENGINE BLK	18..	872 140506....	1....	RHSNB $\frac{5}{16}$ -18 x $\frac{3}{4}$
2..	532 400008....	1....	CLUTCH	19..	532 183906....	4....	SCREW, SCKT HD
3..	581 881101....	1....	TUBE, EXHAUST RT	20..	581 332803....	1....	HCS $\frac{7}{16}$ -20 x $2\frac{1}{2}$
4..	581 881001....	1....	TUBE, EXHAUST LT	21..	874 780852....	1....	HCS $\frac{1}{2}$ -13 x $3\frac{1}{4}$
5..	510 260402....	1....	BRACKET, MUFFLER BLK	22..	874 520656....	1....	HCS $\frac{3}{8}$ -16 x $3\frac{1}{2}$
6..	532 448145....	1....	ARM, IDLER	23..	817 120616....	4....	HHFS $\frac{3}{8}$ -16 x 1 THD FRM
7..	539 101231....	1....	SPINDLE, IDLER	24..	817 490512....	4....	BOLT $\frac{5}{16}$ -18 x $\frac{3}{4}$ THD FRM
8..	539 110311....	1....	PULLEY, IDLER	25..	539 976979....	2....	NUT $\frac{3}{8}$ -16 HEX NYLOC
9..	539 114530....	1....	PULLEY, ENGINE	26..	873 800800....	1....	NUT $\frac{1}{2}$ -13 HEX NYLOC
10..	577 094601....	1....	SPACER	27..	539 112899....	5....	NUT $\frac{5}{16}$ -18 HEX FLG NYLOC
11..	539 132859....	1....	SHIELD, HEAT	28..	532 126197....	1....	WASHER, CLUTCH
12..	522 442506....	1....	STOP, CLUTCH BLK	29..	819 182212....	2....	WASHER $\frac{1}{2}$ FLT
13..	584 989802....	1....	GUARD, MUFFLER BLK	30..	819 121414....	2....	WASHER $\frac{5}{16}$ STD FLT
14..	539 131604....	1....	MUFFLER ASSY	31..	539 112670....	1....	WASHER, HEAVY
15..	532 196105....	1....	SPRING, DECK DRIVE	NOT SHOWN			
16..	532 165391....	2....	GASKET, MUFFLER		532 198316 ...	1....	ADAPTER, CLUTCH
17..	872 140508....	2....	RHSNB $\frac{5}{16}$ -18 x 1				

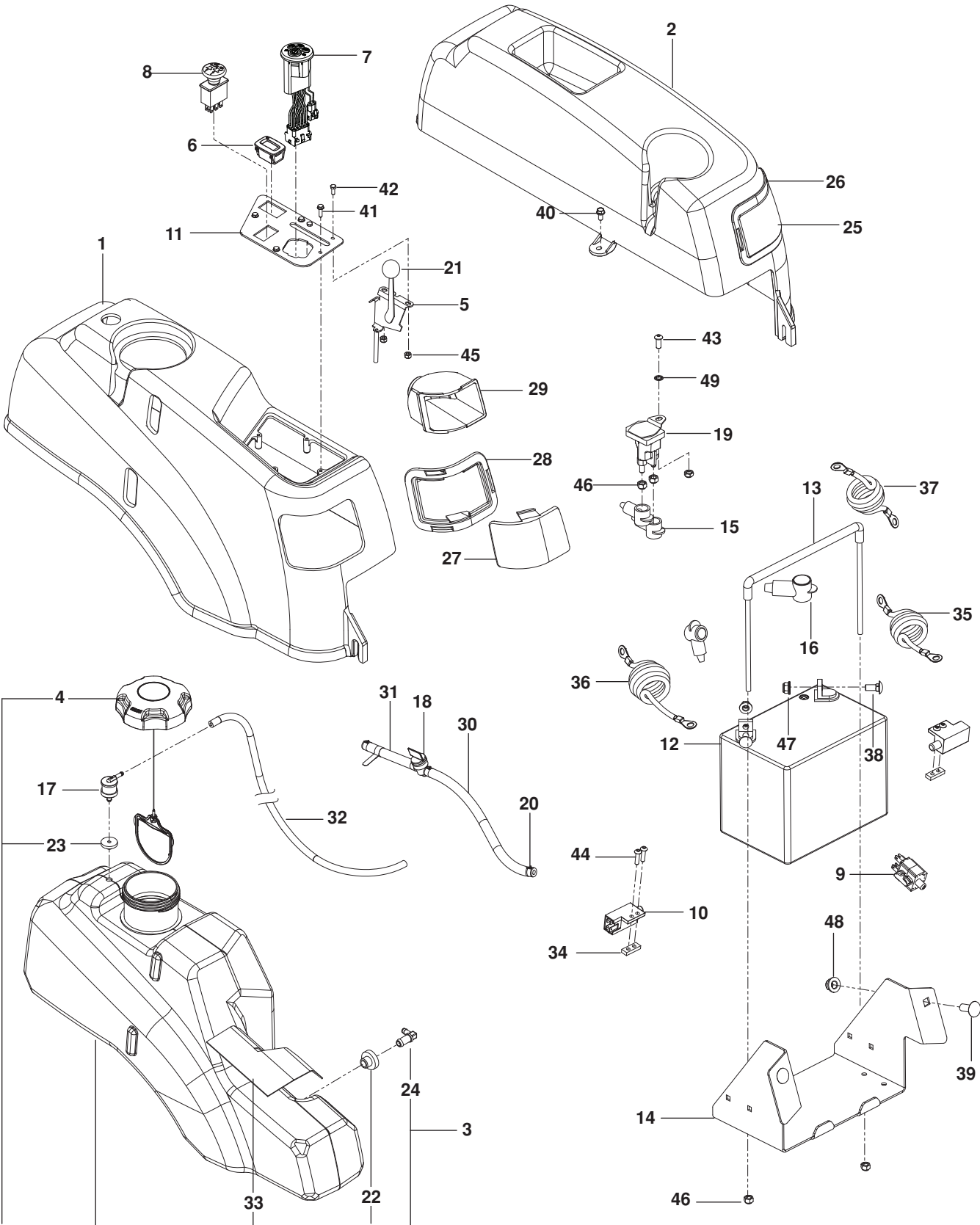
STEERING



STEERING

ITEM	PART NO.	QTY.	DESCRIPTION	ITEM	PART NO.	QTY.	DESCRIPTION
1..	581 826701....	2....	LEVER w/ GRIP	16..	539 116689....	2....	COUPLER, ROD END
2..	525 392901....	2....	GRIP, FOAM	17..	874 780844....	2....	HCS 1/2-13 x 2 3/4
3..	577 251701....	2....	BRACKET, CONTROL	18..	874 780516....	2....	HCS 5/16-18 x 1
4..	539 131518....	4....	BEARING, FLANGE	19..	874 780524....	1....	HCS 5/16-18 x 1 1/2
5..	576 140301....	2....	LEVER, CONTROL	20..	874 490512....	8....	BOLT 5/16-18 x 3/4 THD FRM
6..	577 420001....	2....	LEVER, HANDLE	21..	874 780528....	2....	HCS 5/16-18 x 1 3/4 TPBLT
7..	577 252401....	2....	SPACER, PIVOT CONTROL	22..	578 296403....	4....	SCREW 5/16-18 X 1 1/4 BTN HD
8..	539 102720....	2....	DAMPENER	23..	576 850402....	2....	SCREW 5/16-18 X 1 3/4 BTN HD
9..	577 251801 ...	2....	BLOCK, TRACKING	24..	539 108010....	2....	NUT 1/2-13 HEX JAM NYL GR2
10..	539 102845....	1....	SPRING	25..	539 112899..	10....	NUT 5/16-18 HEX FLG NYLOC
11..	576 850301....	1....	SPRING	26..	873 700500....	2....	NUT 5/16-24 HEX JAM LH
12..	539 131799....	1....	KNOB	27..	873 800500....	8....	NUT 5/16-18 HEX NYLOC
13..	580 624201....	2....	ROD, MOTION CONTROL	28..	539 990585....	4....	NUT 5/16-18 HEX WHIZLK
14..	539 115729....	2....	ROD END RH	29..	539 990223....	4....	NUT 5/16-24 HEX
15..	539 116690....	2....	ROD END MALE LH	30..	819 111116....	4....	WASHER 5/16 SAE FLT

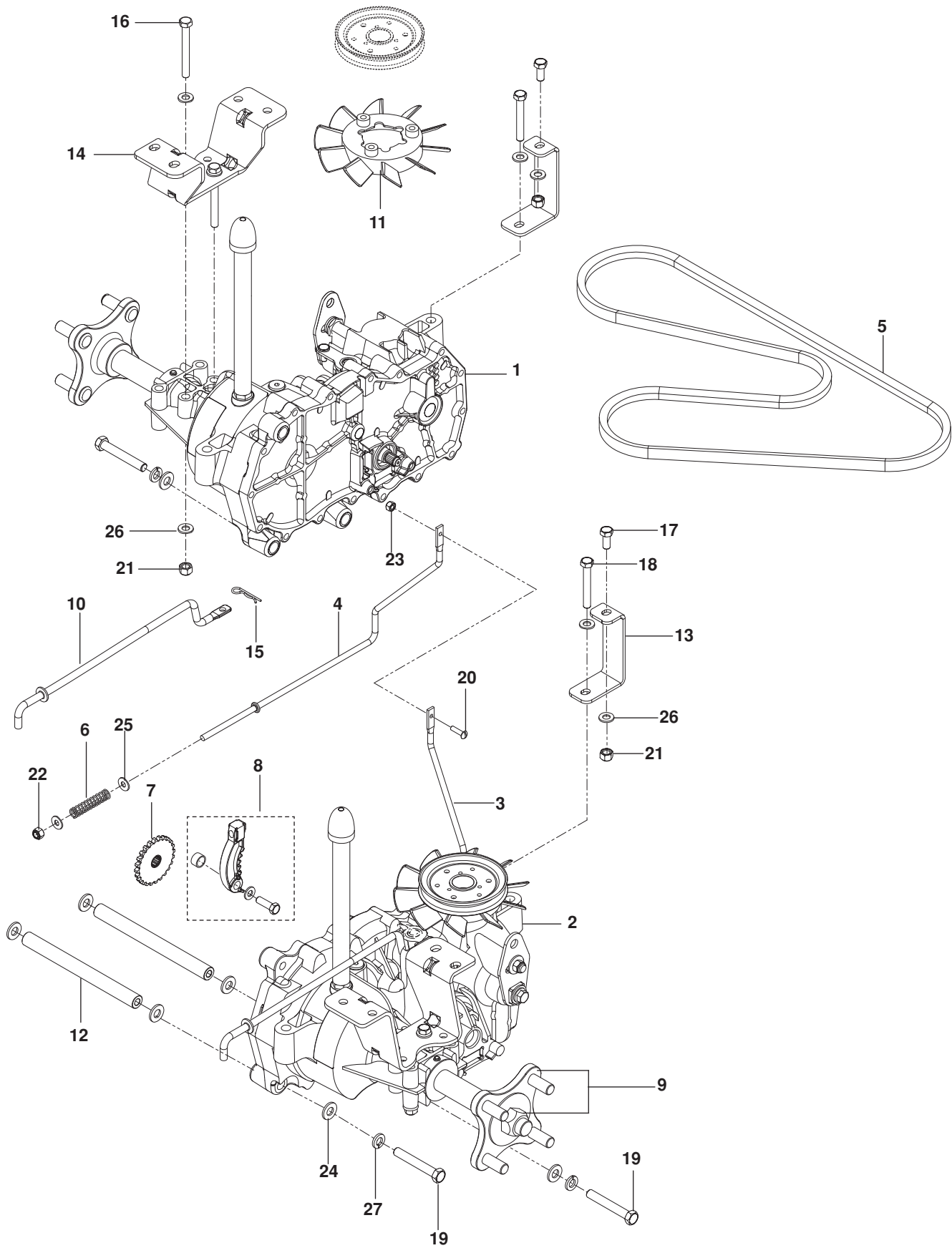
IGNITION



IGNITION

ITEM	PART NO.	QTY.	DESCRIPTION	ITEM	PART NO.	QTY.	DESCRIPTION
1..	578 178901....	1....	FENDER, RT GRY	28..	539 110451....	1....	RIM, RT
2..	539 130374....	1....	FENDER, LT GRY	29..	539 130671....	1....	REFLECTOR RT
3..	578 180601....	1....	TANK ASSY, FUEL		539 130672 ...	1....	REFLECTOR LT
4..	575 018101....	1....	CAP, FUEL w/ TETHER	30..	539 932956....	1....	FUEL LINE 10"
5..	585 974903....	1....	CABLE, THROTTLE	31..	505 215101....	1....	FUEL LINE 2½"
6..	532 401763....	1....	MINDER, SERVICE	32..	574 521302....	1....	HOSE ¾/16 x 17¼" VAPOR
7..	584 790605....	1....	SWITCH, IGNITION	33..	522 559101....	1....	SHIELD, HEAT
8..	532 174652....	1....	SWITCH, CLUTCH	34..	539 102678....	2....	PLATE, TAPPED
9..	539 113792....	1....	SWITCH, BRAKE	35..	581 498001....	1....	CABLE, POSITIVE RED 17"
10..	532 109553....	2....	SWITCH, NC	36..	585 306904....	1....	CABLE, NEGATIVE BLK 25"
11..	581 826102....	1....	PANEL, CONTROL	37..	585 734303....	1....	CABLE, POSITIVE RED 17"
12..	539 102436....	1....	BATTERY	38..	872 140506....	2....	RHSNB 5/16-18 x ¾
13..	539 131209....	1....	TIE DOWN, BATTERY	39..	872 140608....	2....	RHSNB ¾/8-16 x 1
14..	510 231302....	1....	BOX, BATTERY BLK	40..	817 490408....	2....	BOLT ¼-20 x ½
15..	532 131563....	3....	TERMINAL COVER	41..	539 110673....	4....	SCREW 10-24 x ¾ WSH HD
16..	539 102759....	1....	INSULATOR	42..	539 990411....	2....	SCREW 10-24 x ½ HEX HD
17..	576 618101....	1....	VALVE, FUEL CHECK	43..	539 111229....	1....	SCREW ¼-20 x 5/8 BTN SKT
18..	539 916325....	1....	VALVE, FUEL	44..	574 822701....	4....	SCREW 10-24 x ¾ SKT HD
19..	532 192507....	1....	SOLENOID	45..	539 976977....	2....	NUT 10-24 HEX NYLOC
20..	539 912222....	4....	CLAMP, HOSE	46..	873 800400....	5....	NUT ¼-20 HEX NYLOC
21..	539 133049....	1....	KNOB	47..	539 112899....	2....	NUT 5/16-18 HEX FLG NYLOC
22..	539 105245....	1....	GROMMET, RUBBER	48..	521 996501....	2....	NUT ¾/8-16 HEX FLG NYLOC
23..	576 618201....	1....	GROMMET, CHECK VALVE	49..	539 990053....	2....	WASHER ¼ ITLW
24..	539 110432....	1....	ELBOW				NOT SHOWN
25..	539 110457....	1....	LENS, LT		584 790901 ...	1....	HARNESS, IGNITION
26..	539 110455....	1....	RIM, LT		583 944303 ...	1....	HARNESS, HEADLIGHT
27..	539 110453....	1....	LENS, RT		532 004152 ...	2....	BULB, HEADLIGHT

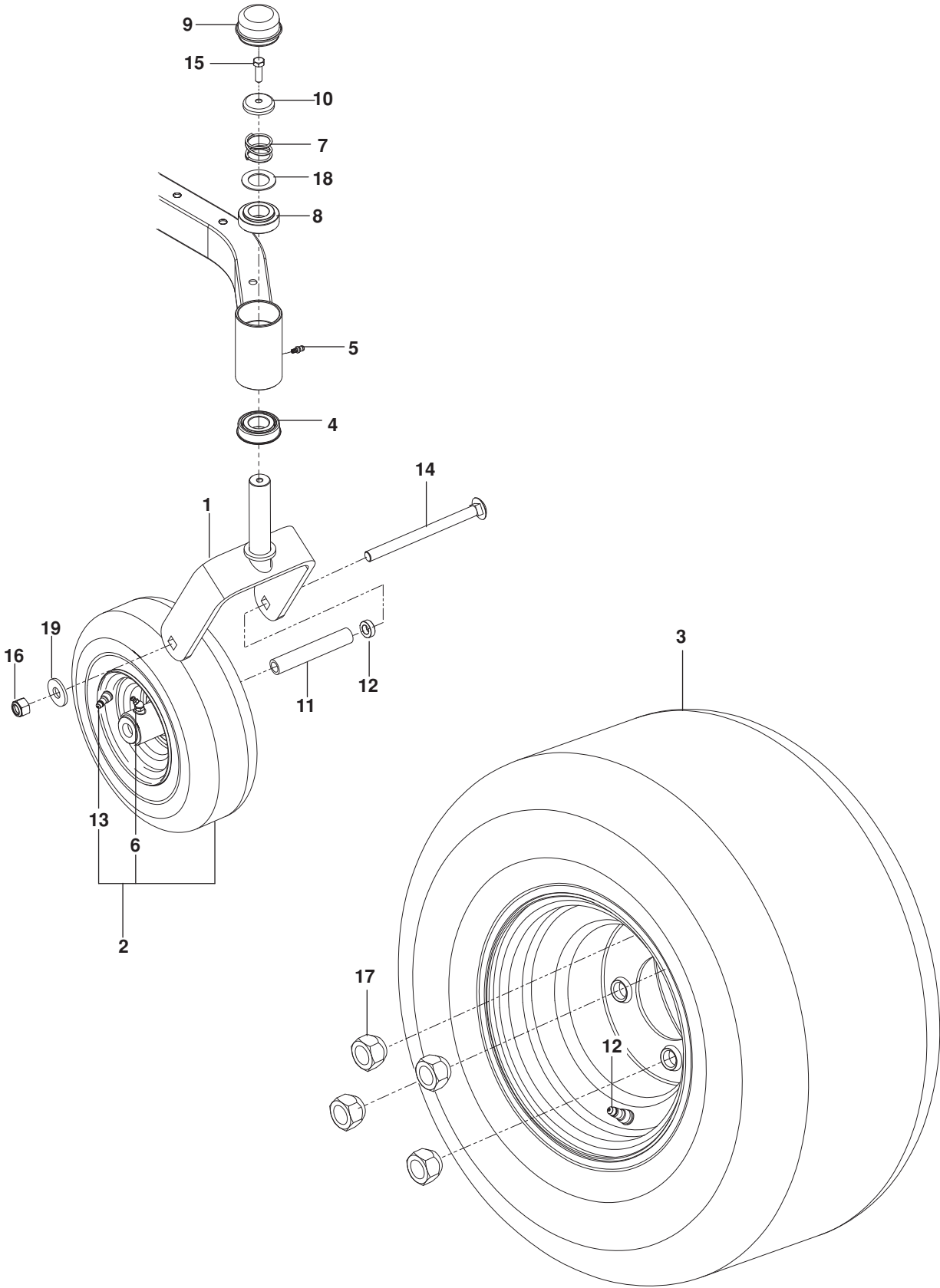
HYDRAULIC PUMP / MOTOR



HYDRAULIC PUMP / MOTOR

ITEM	PART NO.	QTY.	DESCRIPTION	ITEM	PART NO.	QTY.	DESCRIPTION
1..	510 375601....	1....	EZT, LT	15..	539 976988....	1....	HAIRPIN
2..	510 375602....	1....	EZT, RT	16..	874 780544....	4....	HCS $5/16$ -18 x $2\frac{3}{4}$
3..	574 030501....	1....	ROD, EZT BRAKE LT	17..	874 780512....	2....	HCS $5/16$ -18 x $3/4$
4..	574 030502....	1....	ROD, EZT BRAKE RT	18..	874 780536....	2....	HCS $5/16$ -18 x $2\frac{1}{4}$
5..	539 110411....	1....	BELT, EZT	19..	874 780640....	4....	HCS $3/8$ -16 x $2\frac{1}{2}$
6..	539 110342....	2....	SPRING, BRAKE ROD	20..	874 811012....	1....	SCREW 10-24 x $3/4$ SLTD RD
7..	539 120080....	2....	COG, BRAKE DISC	21..	873 800500....	8....	NUT $5/16$ -18 HEX NYLOC
8..	539 120079....	2....	BRAKE ARM KIT	22..	873 800400....	2....	NUT $1/4$ -20 HEX NYLOC
9..	575 507001....	1....	HUB KIT w/ HUBS, NUTS	23..	539 976977....	1....	NUT 10-24 HEX NYLOC
10..	522 941101....	2....	LINK ARM, BYPASS	24..	819 131316....	8....	WASHER $3/8$ SAE FLT
11..	539 120785....	2....	BLADE, FAN	25..	819 091016....	4....	WASHER $1/4$ SAE FLT
12..	510 184104....	2....	SPACER TUBE	26..	819 111116..	14....	WASHER $5/16$ SAE FLT
13..	580 806502....	2....	SUPPORT, EZT FRT	27..	810 030600....	4....	WASHER $3/8$ SPLT LCK
14..	580 806602....	2....	MOUNT, EZT RR BLK				

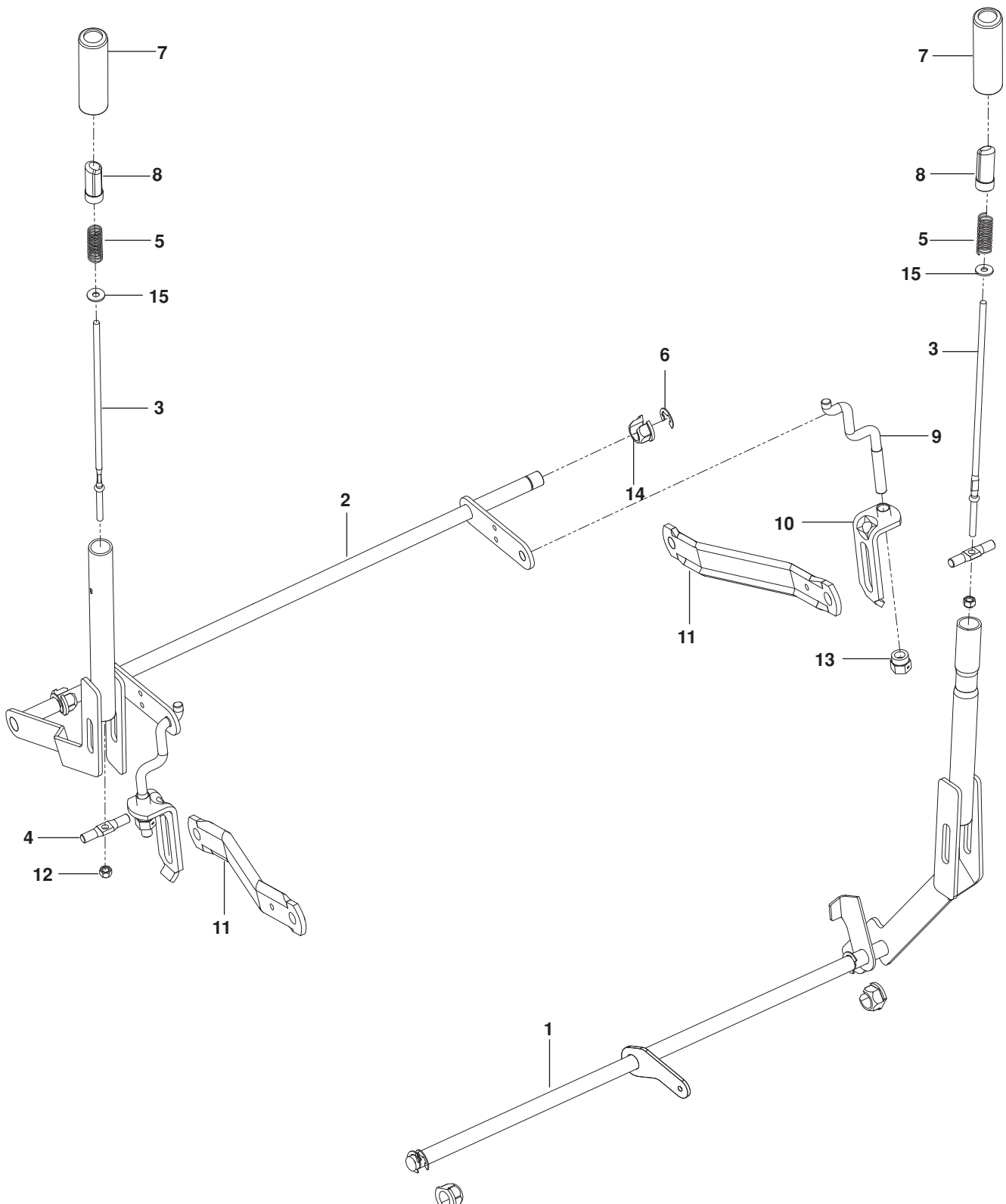
WHEELS AND TIRES



WHEELS AND TIRES

ITEM	PART NO.	QTY.	DESCRIPTION	ITEM	PART NO.	QTY.	DESCRIPTION
1..	510 186502....	2....	YOKE, ORG	11..	584 653101....	2....	SPACER
2..	581 199701....	2....	CASTER TIRE ASSY	12..	581 269201....	2....	SPACER
3..	581 197301....	2....	WHEEL ASSY, REAR 18 x 9.5	13..	539 912234....	4....	VALVE STEM
4..	539 112660....	2....	BEARING, FLANGED	14..	721 408104....	2....	RHSNB 1/2-13 x 6 1/2
5..	539 115638....	2....	ZERK 3/16 DRIVE	15..	874 950516....	2....	HHB w/ NY 5/16-18 x 1
6..	539 103300....	2....	ZERK	16..	539 200100....	2....	NUT 1/2 HEX CNTRLK
7..	539 115747....	2....	SPRING, CASTER	17..	539 101173....	8....	NUT 1/2 LUG
8..	539 117901....	2....	BUSHING, CASTER	18..	539 115675....	2....	WASHER
9..	539 102535....	2....	GREASE CAP	19..	819 182212....	2....	WASHER 1/2 FLT
10..	539 115749....	2....	PLUG, CASTER				

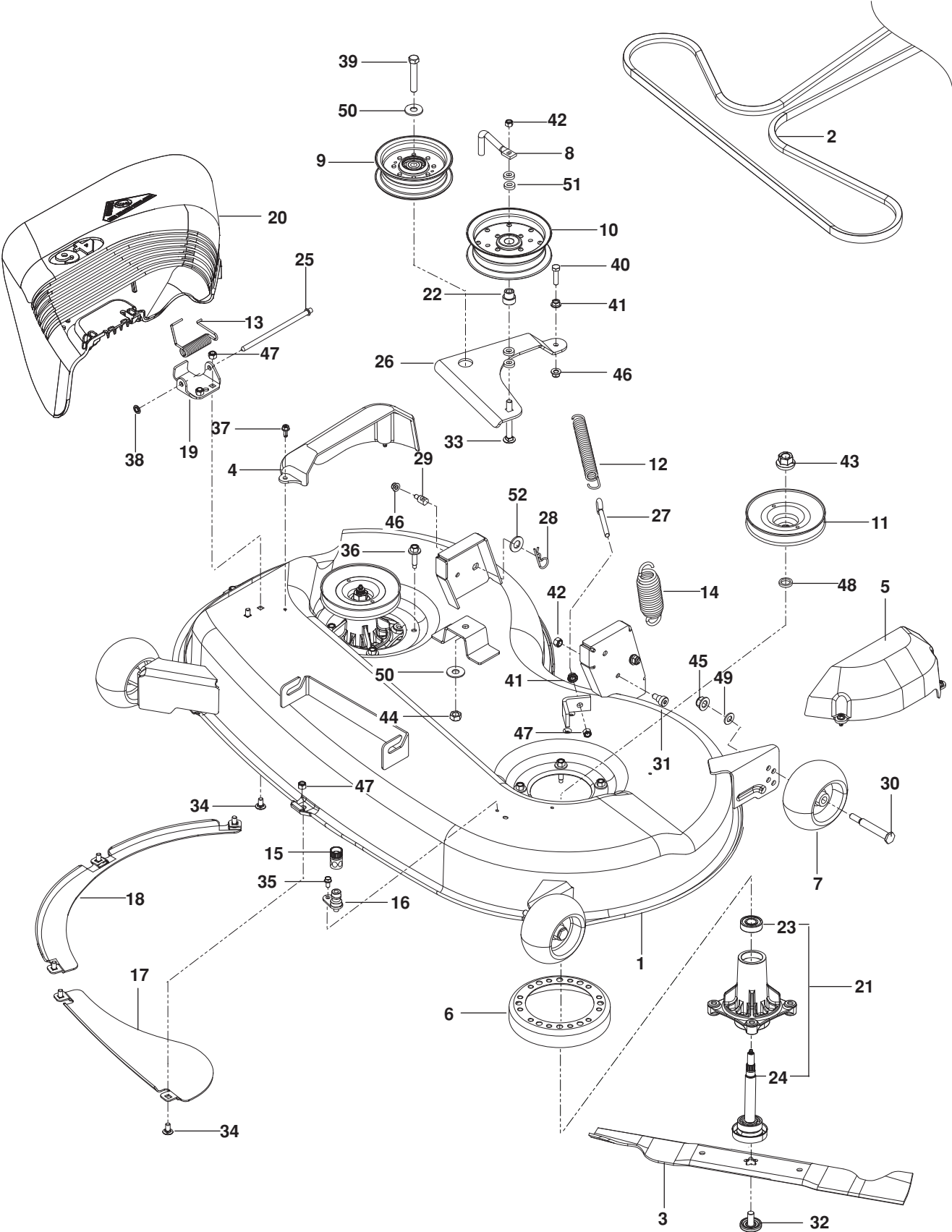
BRAKE / LIFT



BRAKE / LIFT

ITEM	PART NO.	QTY.	DESCRIPTION	ITEM	PART NO.	QTY.	DESCRIPTION
1..	580 435801....	1....	SHAFT, BRAKE	9..	525 847201....	2....	LINK, REAR SUSPENSION
2..	532 448208....	1....	SHAFT, LIFT	10..	522 858601....	2....	BRACKET, CENTERING LNK
3..	510 422901....	2....	ROD, HANDLE RELEASE	11..	532 195185....	2....	ARM, SUSPENSION RR
4..	580 960401....	1....	ROD, LATCH RELEASE	12..	873 800400....	2....	NUT ¼-20 HEX NYLOC
5..	510 030701....	2....	SPRING, COMPRESSION	13..	532 175994....	2....	NUT, LIFT LINK
6..	812 000002....	3....	E-RING	14..	510 184901....	4....	NUT, PLASTIC
7..	510 207201....	2....	GRIP, HANDLE	15..	819 091216....	1....	WASHER ¼ FLT
8..	510 207301....	2....	BUTTON, PUSH				

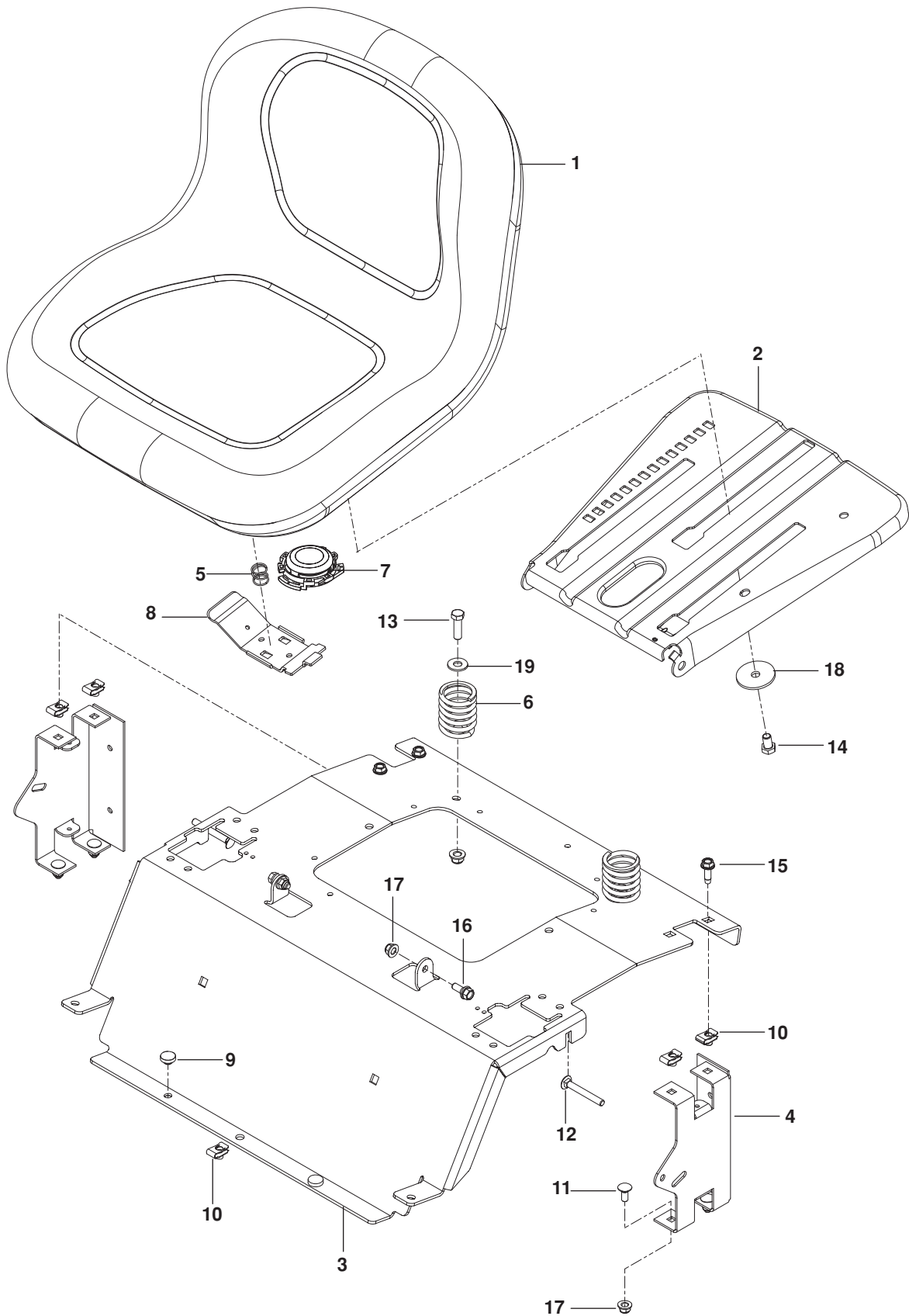
MOWER DECK / CUTTING DECK



MOWER DECK / CUTTING DECK

ITEM	PART NO.	QTY.	DESCRIPTION	ITEM	PART NO.	QTY.	DESCRIPTION
1..	581 071001....	1....	DECK w/ SAFETY DECALS	27..	539 115574....	1....	EYEBOLT $\frac{5}{16}$ x $3\frac{1}{2}$
2..	539 117245....	1....	BELT, DECK	28..	539 976989....	2....	HAIRPIN
3..	532 405380....	2....	BLADE, HI-LIFT	29..	532 195161....	2....	STUD w/ANTI- ROTATE
4..	532 405506....	1....	SHIELD, BELT RH	30..	532 193406....	3....	BOLT $\frac{3}{8}$ -16 x $3\frac{5}{8}$ SHOULDER
5..	532 405507....	1....	SHIELD, BELT LH	31..	539 113621....	2....	BOLT $\frac{3}{8}$ -16 x $\frac{3}{8}$ SHOULDER
6..	532 174493....	2....	STRIPPER, UNIVERSAL	32..	532 193003....	2....	BOLT, WASHER
7..	532 174873....	3....	WHEEL, GAUGE	33..	539 128101....	1....	BOLT $\frac{3}{8}$ -16 x $2\frac{1}{4}$ CARRIAGE
8..	522 629701....	1....	KEEPER, BELT	34..	872 140506....	7....	RHSNB $\frac{5}{16}$ -18 x $\frac{3}{4}$
9..	532 196104....	1....	PULLEY, IDLER	35..	539 991034....	1....	SCREW 10-24 x $\frac{5}{8}$ WSH HD
10..	539 132728....	1....	PULLEY, IDLER	36..	532 173984....	8....	SCREW $\frac{5}{16}$ -18 WSHER HD
11..	539 113962....	2....	PULLEY, DECK	37..	532 137729....	4....	SCREW $\frac{1}{4}$ -20 x $\frac{5}{8}$ THDROLL
12..	539 120920....	1....	SPRING, DECK BELT	38..	532 110452....	1....	PUSHNUT
13..	532 178102....	1....	SPRING, TORSION	39..	874 780740....	1....	HCS $\frac{7}{16}$ -14 x $2\frac{1}{2}$
14..	539 118762....	1....	SPRING	40..	874 780520....	1....	HCS $\frac{5}{16}$ -18 x $1\frac{1}{4}$
15..	532 416405....	1....	COUPLING, CONNECT	41..	539 990585....	2....	NUT $\frac{5}{16}$ -18 HEX WHIZLK
16..	532 415598....	1....	PORT, WASHOUT	42..	539 200282....	3....	NUT $\frac{3}{8}$ -16 HEX JAM NYLOC
17..	532 403149....	1....	BAFFLE, FRONT	43..	532 400234....	2....	NUT $\frac{9}{16}$ TOP CNTRLK
18..	532 403150....	1....	BAFFLE, FRONT RH	44..	539 119124....	1....	NUT $\frac{7}{16}$ -14 HEX NYLOC
19..	532 192557....	1....	BRACKET, DEFLECTOR	45..	873 900600....	3....	NUT $\frac{3}{8}$ -16 FLG LK
20..	532 405357....	1....	SHIELD, DEFLECTOR	46..	539 112899....	3....	NUT $\frac{5}{16}$ -18 HEX FLG NYLOC
21..	532 174356....	2....	CUTTER HOUSING	47..	873 800500....	8....	NUT $\frac{5}{16}$ -18 HEX NYLOC
22..	539 112076....	1....	BUSHING, IDLER	48..	532 187690....	2....	WASHER, SPACER
23..	532 110485....	1....	BEARING	49..	819 132012....	3....	WASHER 12 GA
24..	532 174360....	1....	SHAFT	50..	539 104864....	2....	WASHER $\frac{7}{16}$ FLT
25..	532 131491....	1....	ROD, HINGE	51..	539 109562....	4....	WASHER $\frac{3}{8}$
26..	574 689002....	1....	ARM, IDLER	52..	819 212113....	2....	WASHER $\frac{5}{8}$ SAE FLT

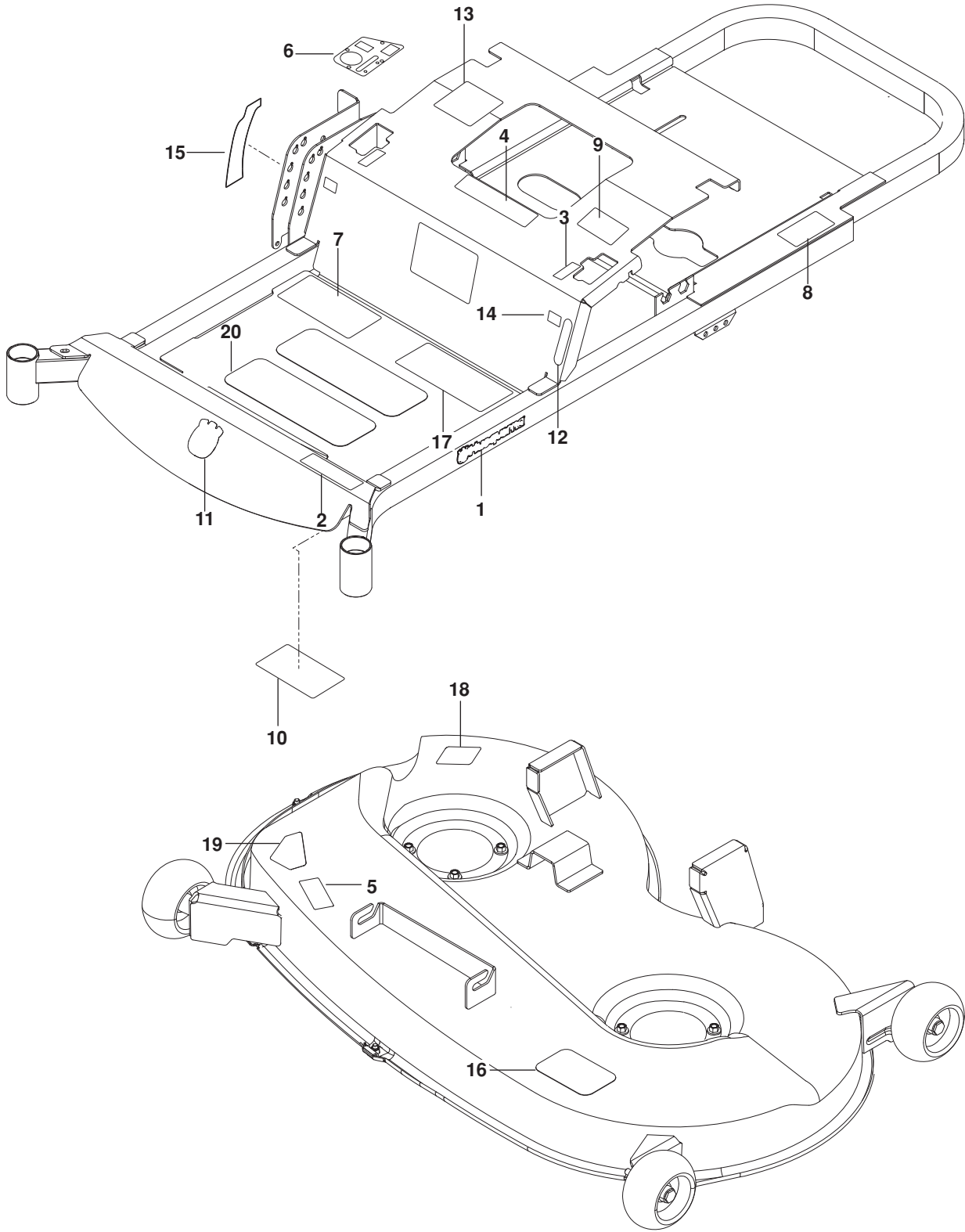
SEAT



SEAT

ITEM	PART NO.	QTY.	DESCRIPTION	ITEM	PART NO.	QTY.	DESCRIPTION
1..	532 439822....	1....	SEAT	11..	872 140506....	4....	RHSNB $\frac{5}{16}$ -18 x $\frac{3}{4}$
2..	532 196977....	1....	PAN, SEAT	12..	510 422701....	2....	RHSNB $\frac{5}{16}$ -18 x $2\frac{1}{2}$
3..	577 260503....	1....	SUPPORT, SEAT ORG	13..	874 780620....	2....	HCS $\frac{3}{8}$ -16 x $1\frac{1}{4}$
4..	580 308202....	2....	SUPPORT, SEAT RR BLK	14..	874 780610....	1....	HCS $\frac{3}{8}$ -16 x $\frac{5}{8}$
5..	532 198200....	1....	SPRING, LATCH	15..	817 490512....	4....	BOLT $\frac{5}{16}$ -18 x $\frac{3}{4}$ THD FRM
6..	532 124181....	2....	SPRING, SEAT	16..	539 110303....	2....	BOLT $\frac{5}{16}$ -18 SHOULDER
7..	581 429302....	1....	SWITCH, SEAT	17..	539 112899....	4....	NUT $\frac{5}{16}$ -18 HEX FLG NYLOC
8..	532 197661....	1....	HANDLE, SLIDE	18..	539 111897....	1....	WASHER $\frac{3}{8}$ SPECIAL
9..	539 102587....	2....	GROMMET, BUMPER	19..	819 141614....	2....	WASHER $\frac{3}{8}$ STD FLT
10..	539 104763....	5....	RETAINER, U TYPE				

DECALS

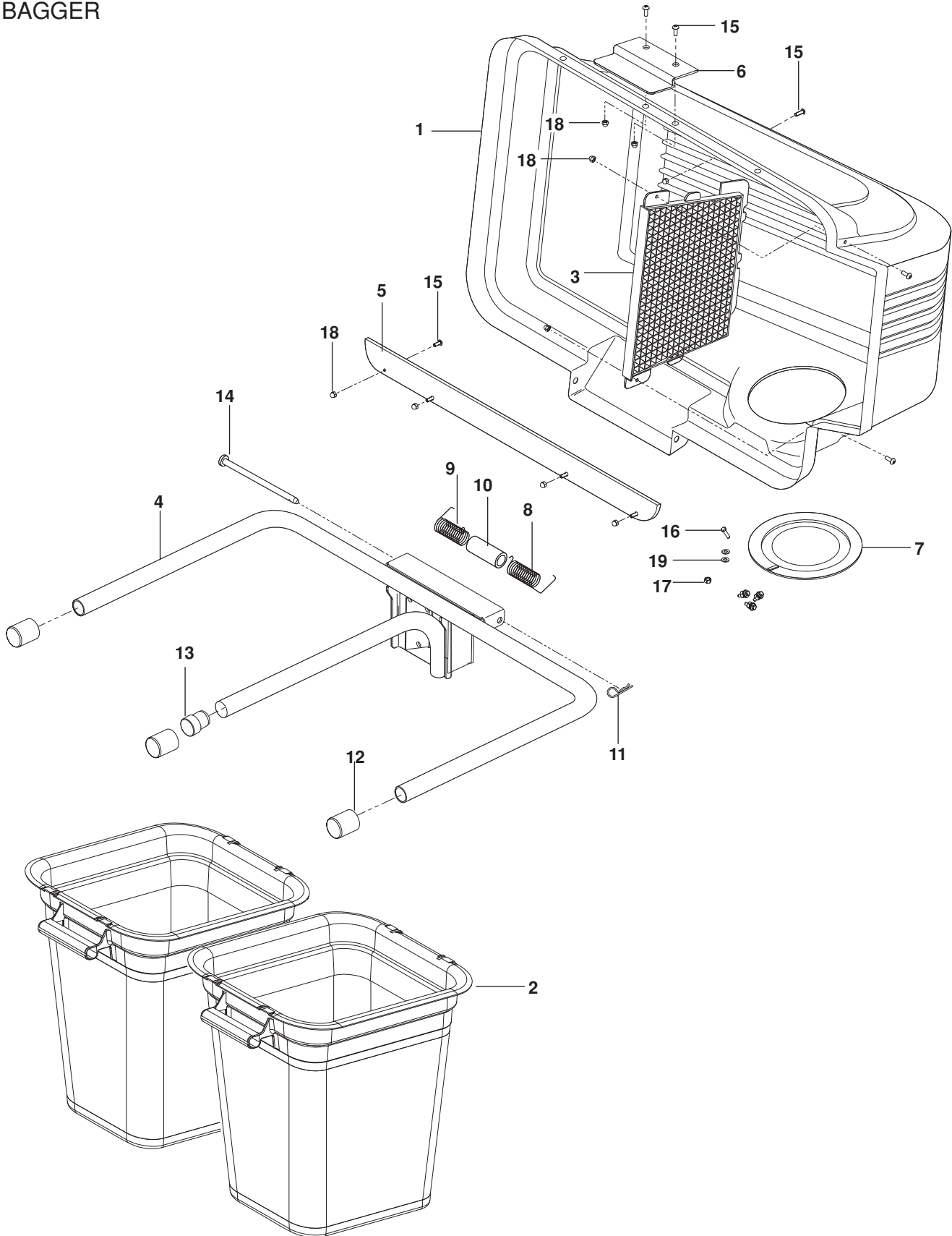


DECALS

ITEM	PART NO.	QTY.	DESCRIPTION	ITEM	PART NO.	QTY.	DESCRIPTION
1..	532 429196....	2....	DECAL, HUSQVARNA	11..	532 428676....	1....	DECAL, CROWN
2..	586 046001....	1....	DECAL, RZ 46i	12..	539 120006....	1....	DECAL, PARK BRAKE
3..	539 103333....	2....	DECAL, MOTION CONTROL	13..	539 110522....	1....	DECAL, RESPONSIBILITIES
4..	539 105745....	1....	DECAL, BATTERY WARNING	14..	539 110974....	2....	DECAL, TRACKING
5..	539 105746....	1....	DECAL, SEVERING	15..	576 979101....	1....	DECAL, HEIGHT
6..	581 929801....	1....	DECAL, CONSOLE	16..	510 240201....	1....	DECAL, BELT ROUTING
7..	583 933701....	1....	DECAL, STARTING	17..	583 934001....	1....	DECAL, SAFETY WARNING
8..	539 108385....	1....	DECAL, DO NOT TOW	18..	581 724401....	1....	DECAL, DISCHARGE
9..	539 108386....	1....	DECAL, EXIT	19..	539 913010....	1....	DECAL, BLADES
10..	539 109897....	1....	DECAL, SERVICE	20..	539 977778....	3....	ABRASIVE PAD

ACCESSORIES

BAGGER

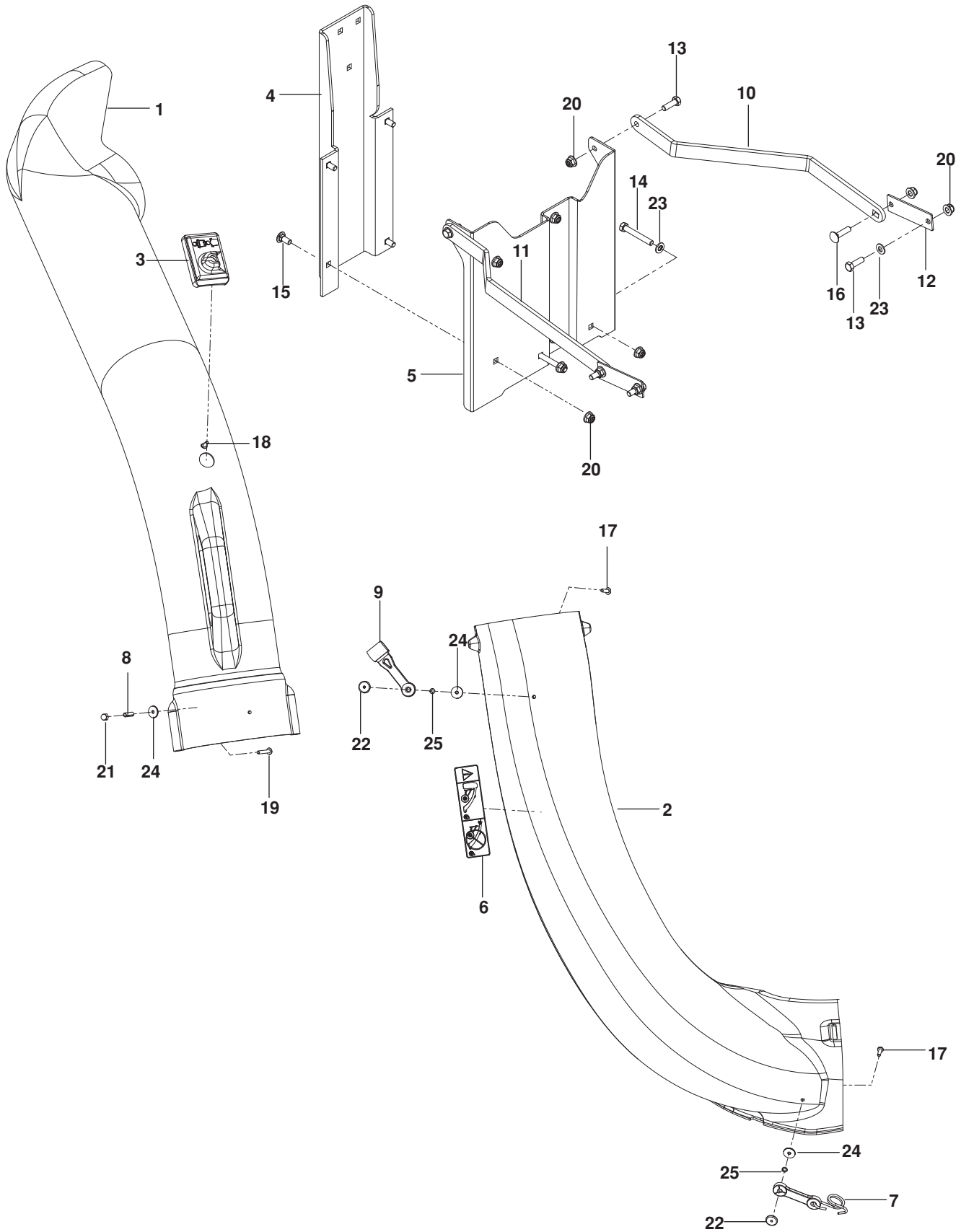


ACCESSORIES

ITEM	PART NO.	QTY.	DESCRIPTION	ITEM	PART NO.	QTY.	DESCRIPTION
1..	539 111139....	1....	COVER ASSY, COMPLETE	11..	539 108096....	1....	HAIRPIN, RETAINER
2..	532 400226....	2....	CONTAINER, SOFT BAG	12..	539 108097....	3....	CAP, TUBING END
3..	532 127533....	1....	SCREEN, COVER	13..	522 801301....	1....	SPACER PLUG
4..	532 179746....	1....	BAGGER, FRAME	14..	532 192786....	1....	PIN, HINGE
5..	532 155042....	1....	STRIP, REINFORCEMENT	15..	539 976952....	9....	SCREW #10-24 x 5/8
6..	532 130895....	1....	LATCH HANDLE, COVER	16..	539 106312....	4....	SCREW #10-24 x 3/4
7..	532 127534....	1....	GASKET	17..	539 976977....	4....	NUT #10-24 HEX NYLOC
8..	532 132796....	1....	SPRING, COVER LH	18..	539 108086....	9....	NUT #10-24 ACORN
9..	532 132983....	1....	SPRING, COVER RH	19..	539 105408....	8....	WASHER #10 FLAT
10..	532 133235....	1....	SPACER, COVER				

ACCESSORIES

CHUTES, MOUNT



ACCESSORIES

ITEM	PART NO.	QTY.	DESCRIPTION	ITEM	PART NO.	QTY.	DESCRIPTION
1..	525 497001....	1....	CHUTE, UPPER	14..	539 976938....	2....	HCS ⁵ / ₁₆ -18 x 2 ¹ / ₄
2..	532 405455....	1....	CHUTE, LOWER	15..	539 990316....	4....	RHSNB ⁵ / ₁₆ -18 x ³ / ₄
3..	539 108082....	1....	INDICATOR, BAG DUMP	16..	539 100472....	2....	RHSNB ⁵ / ₁₆ -18 x 1 ¹ / ₄
4..	522 854702....	1....	BRACKET, HANGER	17..	539 976952....	3....	SCREW #10-24 x ⁵ / ₈
5..	522 854602....	1....	BRACKET, COLLECTION	18..	539 108081....	1....	SCREW #10-14 x ¹ / ₂
6..	539 108163....	1....	DECAL, CATCHER	19..	539 108083....	1....	SCREW #10-24 x 1 ¹ / ₈
7..	539 108194....	2....	LATCH ASSM, CHUTE	20..	539 112899..	12....	NUT ⁵ / ₁₆ -18 HEX FLG NYLOC
8..	539 108085....	1....	SPACER, SPLIT	21..	539 108086....	1....	NUT #10-24 ACORN
9..	539 108088....	1....	LATCH, HOOD	22..	539 108089....	3....	NUT #10-24 WELD PLATED
10..	522 854502....	1....	STRAP, SUPPORT, LT	23..	539 990188....	6....	WASHER ⁵ / ₁₆ SAE FLAT
11..	522 854402....	1....	STRAP, SUPPORT, RT	24..	539 108084....	4....	WASHER ³ / ₁₆ x ³ / ₄ 16 GA
12..	523 112802....	2....	PLATE	25..	539 109552....	3....	WASHER ³ / ₁₆ LOCK
13..	539 990209....	4....	HCS ⁵ / ₁₆ -18 x 1				

