

Gasoline containing up to 10% ethanol (E10) is acceptable for use in this machine. The use of any gasoline exceeding 10% ethanol (E10) will void the product warranty.

Parts Manual

RZ4824F / 967003802



Please read the operator's manual carefully and make sure you understand the instructions before using the machine.

When you need spare parts or support in service questions, warranty issues, etc., please consult the following professional:

This manual belongs to the machine with the manufacturing number:	Engine	Transmission

Manufacturing Number

The machine's manufacturing number can be found on the printed plate affixed to the engine compartment.

Stated on the plate, from the top are:

- The machine's type designation (I.D.).
- The manufacturer's type number (Model).
- The machine's serial number (Serial no.)

Please have the type designation and serial number available when ordering spare parts.

The engine's manufacturing number is stamped on one of the valve covers.

The plate states:

- The engine's model.
- The engine's type.
- Code

Please have these available when ordering spare parts.

The wheel motors and hydrostatic pumps have a barcode decal affixed at the rear.

Accessories Available

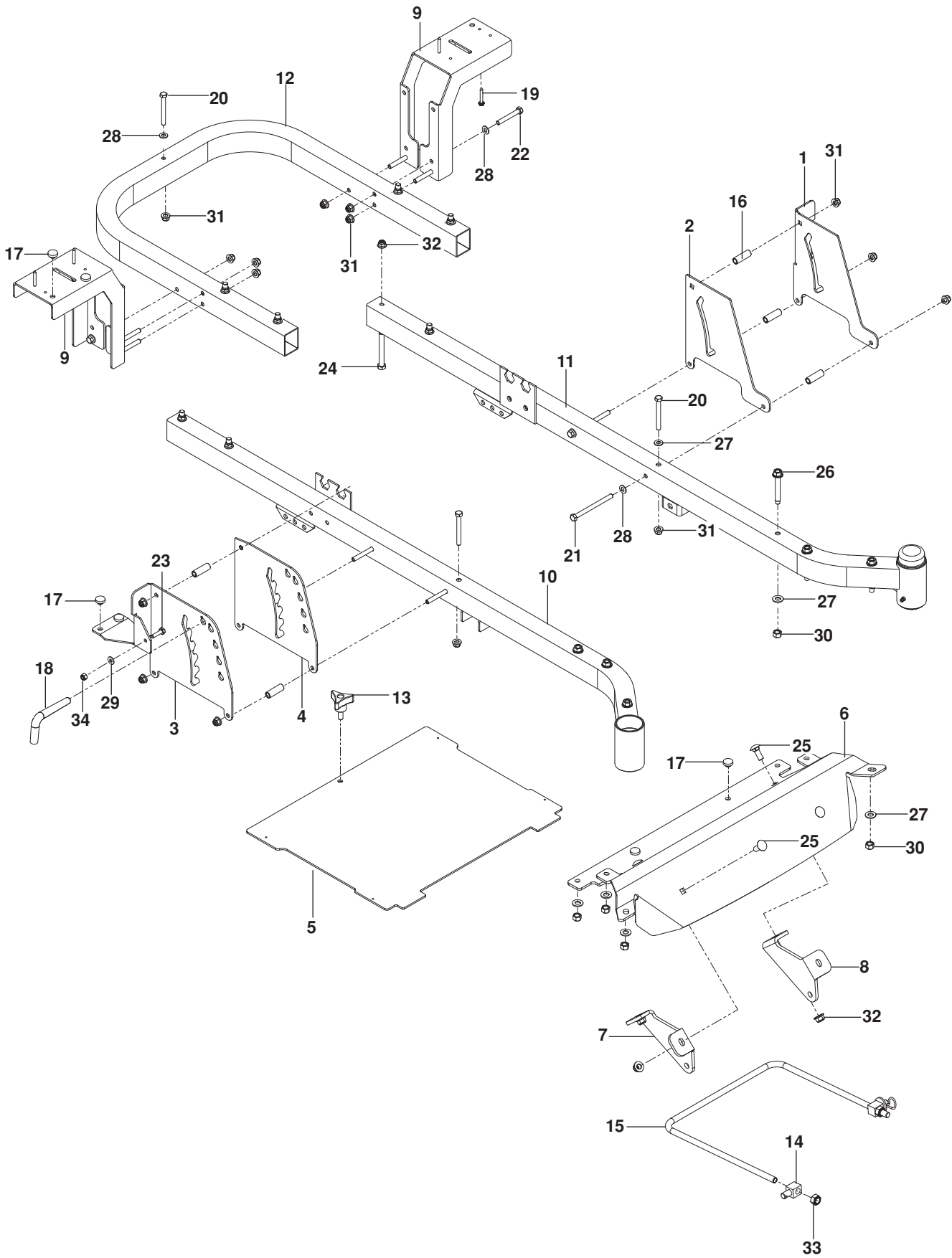
Collection System.....	966 792801
Mulch Kit.....	965 894003

CONTENTS

FRAME.....	4	SEAT	20
ENGINE PLATE.....	6	DECALS.....	22
STEERING	8	ACCESSORIES	
IGNITION.....	10	BLOWER.....	24
BRAKE / LIFT.....	12	CHUTES	26
HYDRAULIC PUMP - MOTOR.....	14	BAGGER.....	28
WHEELS AND TIRES.....	16	SHIELD, MOUNTS, WEIGHTS, BELT.....	30
MOWER DECK / CUTTING DECK.....	18		

NOTE ALL FASTENERS ARE GRADE 5 UNLESS OTHERWISE SPECIFIED.

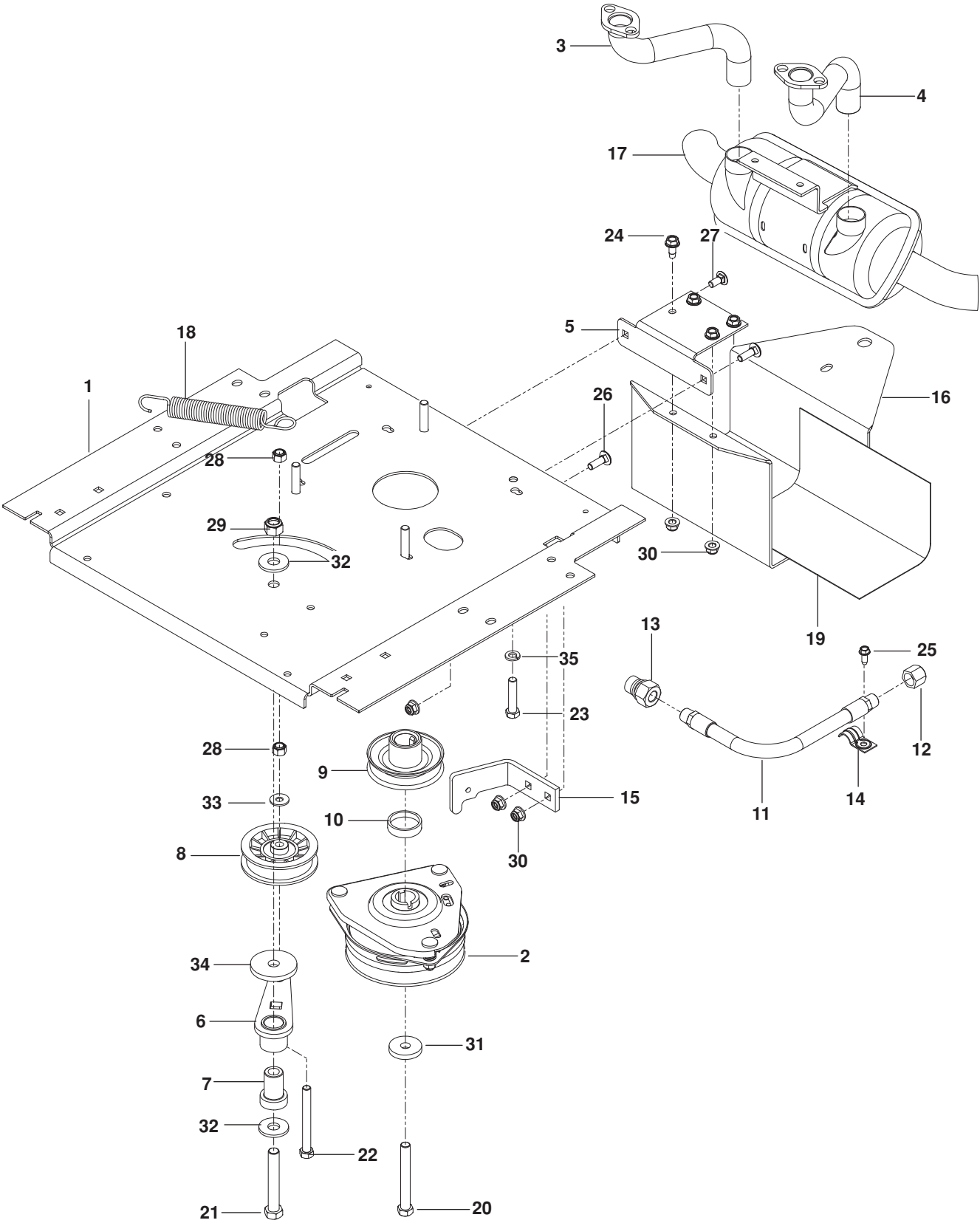
FRAME



FRAME

ITEM	PART NO.	QTY.	DESCRIPTION	ITEM	PART NO.	QTY.	DESCRIPTION
1..	510 261802....	1....	PLATE, OUTER BRAKE BLK	18..	510 016503....	1....	LIFT PIN
2..	510 206703....	1....	PLATE, BRAKE LATCH BLK	19..	539 110674....	4....	SCREW 10-12 x 1¼ HEX WSH
3..	580 528002....	1....	PLATE, LIFT OUTER BLK	20..	874 780544....	3....	HCS 5/16-18 x 2¾
4..	510 240502....	1....	PLATE, LIFT INNER BLK	21..	874 780564....	4....	HCS 5/16-18 x 4
5..	522 842902....	1....	FOOT PLATE w/ SFTY DECLS	22..	874 780536....	6....	HCS 5/16-18 x 2¼
6..	522 719506....	1....	FOOT REST ORG	23..	874 780416....	2....	HCS ¼-20 x 1
7..	581 222802....	1....	MOUNT, STRUT RT BLK	24..	874 780648....	8....	HCS 3/8-16 x 3
8..	581 222902....	1....	MOUNT, STRUT LT BLK	25..	872 141608....	4....	RHSNB 3/8-16 x 1
9..	510 225902....	2....	SUPPORT, FENDER BLK	26..	817 490642....	6....	BOLT 3/8-16 x 25/8 THD FRM
10..	510 177503....	1....	FRAME, FRONT RT ORG	27..	819 141614....	6....	WASHER 3/8 STD FLT
11..	510 177403....	1....	FRAME, FRONT LT ORG	28..	819 111116..	13....	WASHER 5/16 SAE FLT
12..	510 177603....	1....	FRAME, REAR TUBE ORG	29..	819 091016....	2....	WASHER ¼ FLAT SAE ZD
13..	539 104411....	1....	KNOB w/ STUD	30..	539 200282....	6....	NUT 3/8-16 HEX JAM NYLOC
14..	581 514301....	2....	SWIVEL	31..	539 112899..	15....	NUT 5/16-18 HEX FLG NYLOC
15..	521 938101....	1....	LINK, FRONT SUSPENSION	32..	521 996501....	8....	NUT 3/8-16 HEX FLG NYLOC
16..	580 486101....	6....	SPACER ½ OD x 1½	33..	539 119124....	2....	NUT 7/16-14 HEX NYLOC
17..	539 102587....	6....	GROMMET, BUMPER	34..	873 800400....	2....	NUT ¼-20 HEX NYLOC

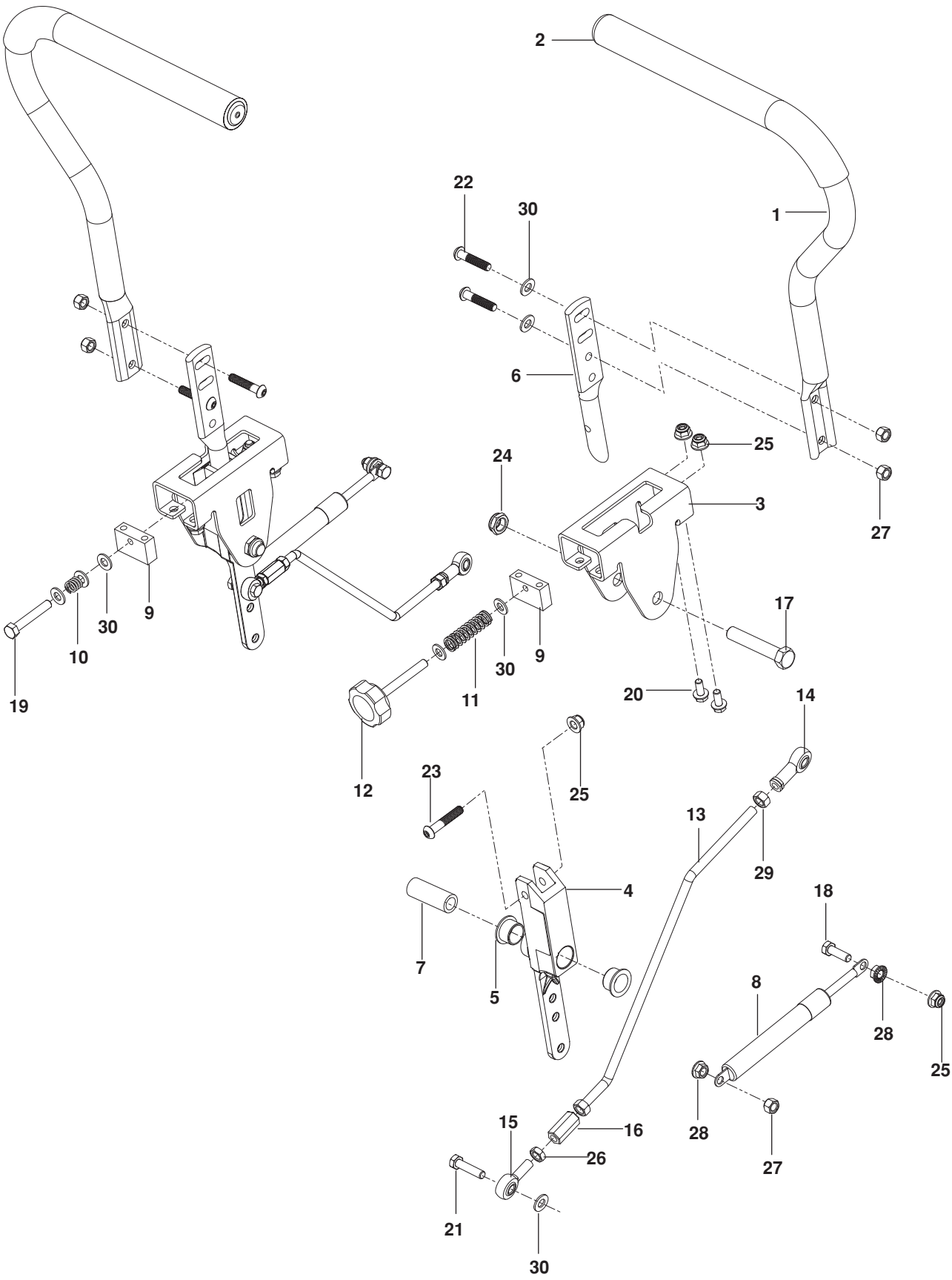
ENGINE PLATE



ENGINE PLATE

ITEM	PART NO.	QTY.	DESCRIPTION	ITEM	PART NO.	QTY.	DESCRIPTION
1..	532 448161....	1....	PLATE, ENGINE BLK	20..	581 322803....	1....	HCS 7/16-20 x 2 1/2
2..	532 400008....	1....	CLUTCH	21..	874 780852....	1....	HCS 1/2-13 x 3 1/4
3..	581 726501....	1....	TUBE, EXHAUST RT	22..	874 520656....	1....	HCS 3/8-16 x 3 1/2
4..	581 726401....	1....	TUBE, EXHAUST LT	23..	539 976949....	4....	HCS 3/8-16 x 1 3/4
5..	510 260402....	1....	BRACKET, MUFFLER BLK	24..	817 490512....	4....	BOLT 5/16-18 x 3/4 THD FRM
6..	539 112092....	1....	ARM, IDLER	25..	539 990362....	1....	SCREW 1/4-20 x 5/8 THD FRM
7..	539 101231....	1....	SPINDLE, IDLER	26..	539 990208....	2....	RHSNB 5/16-18 x 1
8..	539 110311....	1....	PULLEY, IDLER	27..	539 990316....	2....	RHSNB 5/16-18 x 3/4
9..	539 114530....	1....	PULLEY, ENGINE	28..	539 976979....	2....	NUT 3/8-16 HEX NYLOC
10..	577 094601....	1....	SPACER	29..	539 101331....	1....	NUT 1/2-13 HEX NYLOC
11..	584 825501....	1....	HOSE, DRAIN	30..	539 112899....	5....	NUT 5/16-18 HEX FLG NYLOC
12..	539 101364....	1....	PLUG, OIL	31..	539 110064....	1....	WASHER, CLUTCH
13..	522 599001....	1....	ADAPTER, OIL DRAIN	32..	819 182212....	2....	WASHER 1/2 FLT
14..	539 101363....	1....	CLAMP	33..	819 121414....	2....	WASHER 5/16 STD FLT
15..	522 442506....	1....	STOP, CLUTCH BLK	34..	539 112670....	1....	WASHER, HEAVY
16..	584 989802....	1....	GUARD, MUFFLER BLK	35..	810 030600....	4....	WASHER 3/8 SPLT LK
17..	581 726301....	1....	MUFFLER ASSY	NOT SHOWN			
18..	532 196105....	1....	SPRING, DECK DRIVE		532 198316 ...	1....	ADAPTER, CLUTCH
19..	539 132859....	1....	SHIELD, MUFFLER		522 598601 ...	1....	PIGTAIL

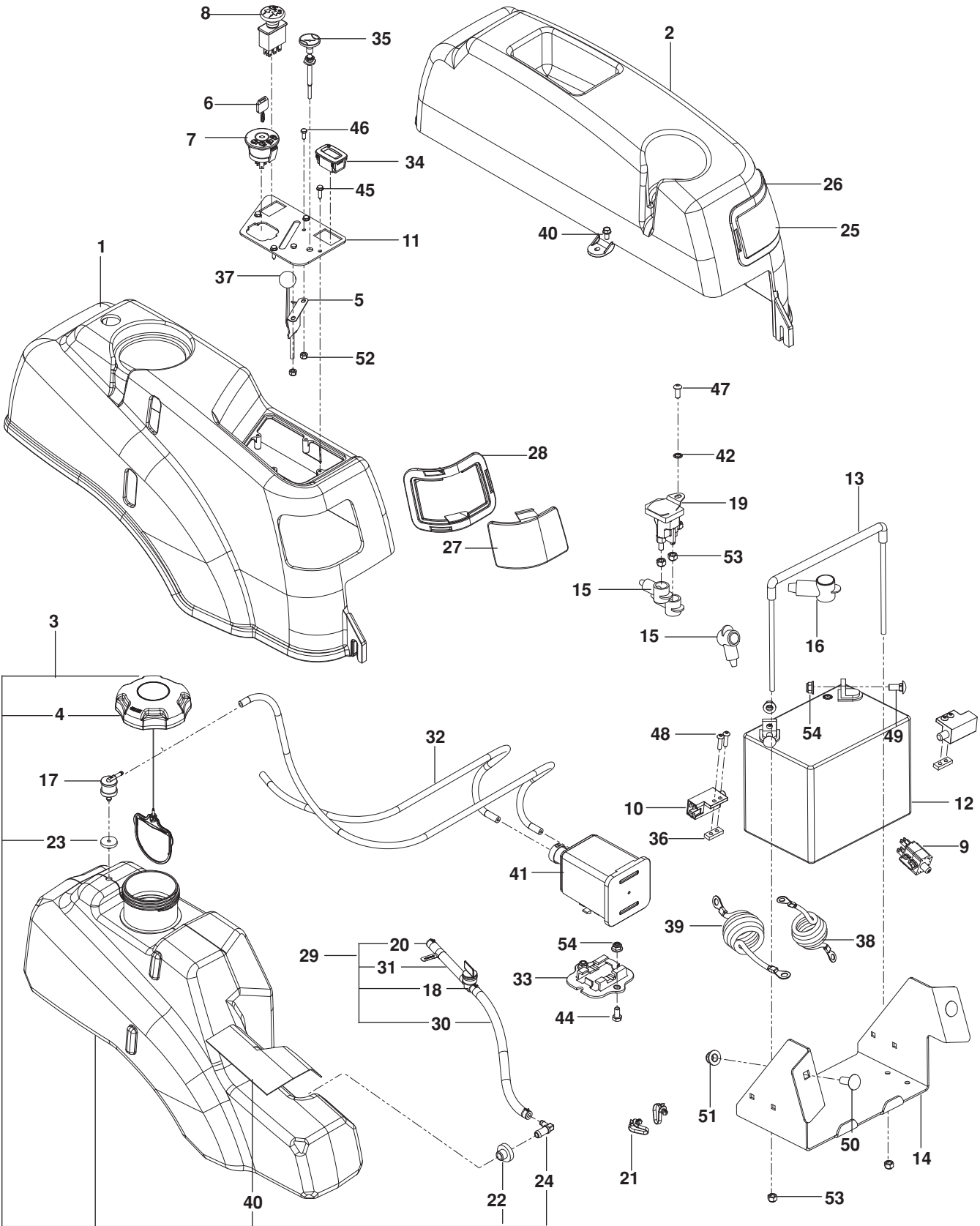
STEERING



STEERING

ITEM	PART NO.	QTY.	DESCRIPTION	ITEM	PART NO.	QTY.	DESCRIPTION
1..	581 826701....	2....	LEVER w/ GRIP	16..	539 116689....	2....	COUPLER, ROD END
2..	525 392901....	2....	GRIP, FOAM	17..	539 101332....	2....	HCS 1/2-13 x 2 3/4
3..	577 251701....	2....	BRACKET, CONTROL	18..	539 990209....	2....	HCS 5/16-18 x 1
4..	539 131518....	4....	BEARING, FLANGE	19..	539 976935....	1....	HCS 5/16-18 x 1 1/2
5..	576 140301....	2....	LEVER, CONTROL	20..	525 464701....	8....	HHFS 5/16-18 X 3/4
6..	577 420001....	2....	LEVER, HANDLE	21..	539 990669....	2....	HCS 5/16-18 x 1 3/4 TPBLT
7..	577 252401....	2....	SPACER, PIVOT CONTROL	22..	578 296402....	4....	SCREW 5/16-18 X 1 1/2 BTN HD
8..	539 102720....	2....	DAMPENER	23..	576 850402....	2....	SCREW 5/16-18 X 1 3/4 BTN HD
9..	577 251801 ...	2....	BLOCK, TRACKING	24..	539 108010....	2....	NUT 1/2-13 HEX JAM NYL GR2
10..	539 102845....	1....	SPRING	25..	539 112899..	10....	NUT 5/16-18 HEX FLG NYLOC
11..	576 850301....	1....	SPRING	26..	539 991073....	2....	NUT 5/16-24 HEX JAM LH
12..	539 131799....	1....	KNOB	27..	539 990717....	6....	NUT 5/16-18 HEX NYLOC
13..	580 624201....	2....	ROD, MOTION CONTROL	28..	539 990585....	4....	NUT 5/16-18 HEX WHIZLK
14..	539 115729....	2....	ROD END RH	29..	539 990223....	4....	NUT 5/16-24 HEX
15..	539 116690....	2....	ROD END MALE LH	30..	539 990188....	4....	WASHER 5/16 SAE FLT

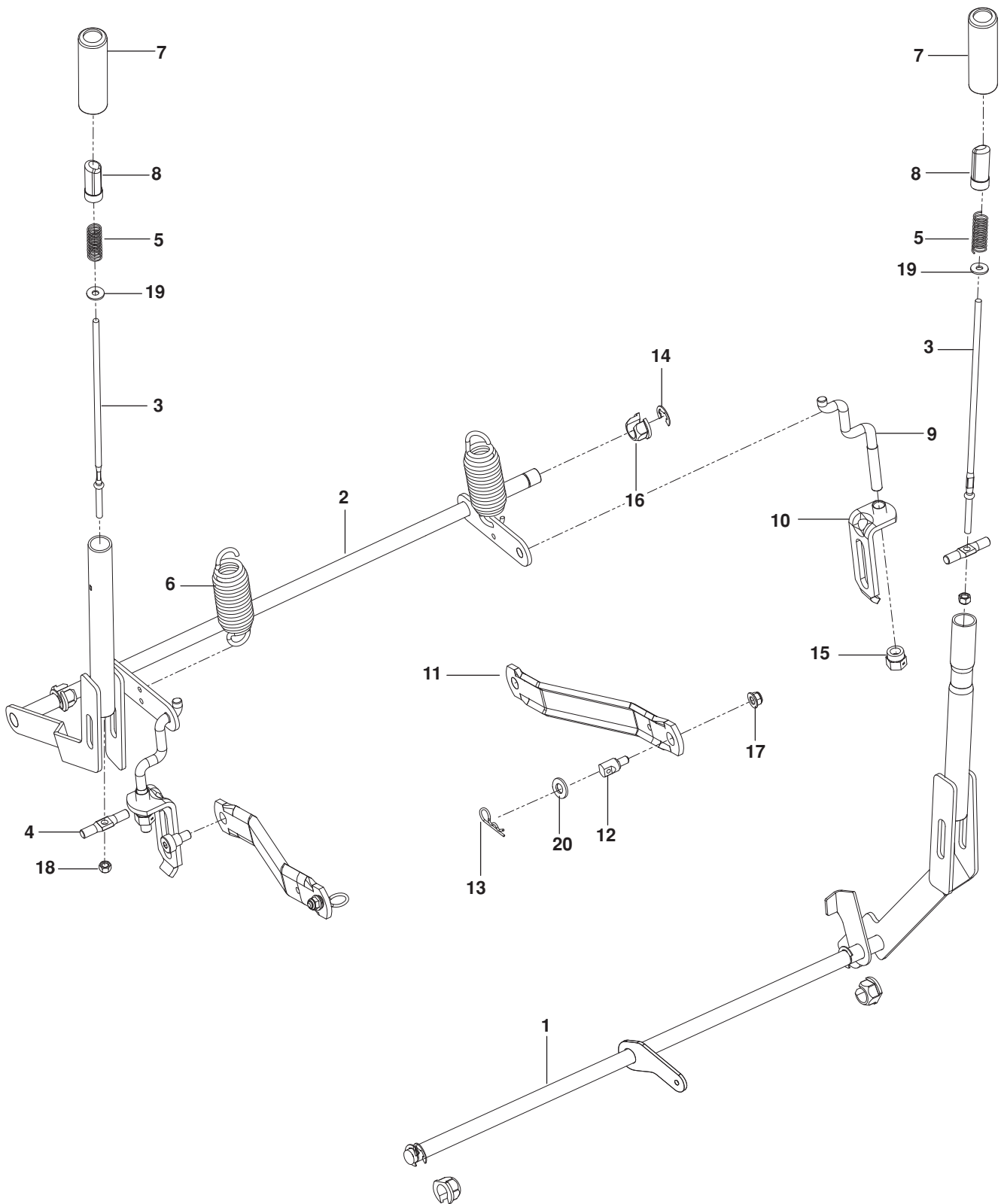
IGNITION



IGNITION

ITEM	PART NO.	QTY.	DESCRIPTION	ITEM	PART NO.	QTY.	DESCRIPTION
1..	578 178901....	1....	FENDER, RT GRY	30..	539 932956....	1....	FUEL LINE 10"
2..	539 130374....	1....	FENDER, LT GRY	31..	539 104993....	1....	FUEL LINE 14"
3..	578 180601....	1....	TANK ASSY, FUEL	32..	575 437802....	2....	HOSE, VAPOR 3/16 x 33"
4..	575 018101....	1....	CAP, FUEL w/ TETHER	33..	575 242701....	1....	BRACKET, CANISTER
5..	539 112734....	1....	CABLE, THROTTLE	34..	532 401763....	1....	HOUR METER
6..	532 140401....	1....	KEY, IGNITION	35..	539 112439....	1....	CONTROL, CHOKE
7..	539 107541....	1....	SWITCH, IGNITION	36..	539 102678....	2....	PLATE, TAPPED
8..	532 174652....	1....	SWITCH, CLUTCH	37..	539 133049....	1....	KNOB
9..	539 113792....	1....	SWITCH, BRAKE	38..	539 103306....	1....	CABLE, POSITIVE RED
10..	532 109553....	2....	SWITCH, NC	39..	539 110068....	1....	CABLE, NEGATIVE BLK
11..	539 112735....	1....	PANEL, CONTROL	40..	522 559101....	1....	SHIELD, HEAT
12..	539 102436....	1....	BATTERY	41..	532 414114....	1....	CANISTER, CARBON
13..	539 131209....	1....	TIE DOWN, BATTERY	42..	539 990053....	1....	WASHER 1/4 ITLW
14..	510 231302....	1....	BOX, BATTERY BLK	43..	539 108461....	2....	BOLT 1/4-20 x 1/2
15..	539 116400....	3....	TERMINAL COVER	44..	539 108392....	2....	HCS 5/16-18 x 5/8
16..	539 102759....	1....	INSULATOR	45..	539 110673....	2....	SCREW 10-24 x 3/4 WSH HD
17..	576 618101....	1....	VALVE, FUEL CHECK	46..	539 990411....	2....	SCREW 10-24 x 1/2 HEX HD
18..	539 916325....	1....	VALVE, FUEL	47..	539 111229....	1....	SCREW 1/4-20 x 5/8 BTN SKT
19..	532 192507....	1....	SOLENOID	48..	574 822701....	4....	SCREW 10-24 x 3/4 SKT HD
20..	539 912222....	4....	CLAMP, HOSE	49..	539 990316....	2....	RHSNB 5/16-18 x 3/4
21..	505 280001....	2....	TIE w/ CLIP	50..	539 990645....	2....	RHSNB 3/8-16 x 1
22..	539 105245....	1....	GROMMET, RUBBER	51..	521 996501....	2....	NUT 3/8-16 HEX FLG NYLOC
23..	576 618201....	1....	GROMMET, CHECK VALVE	52..	539 976977....	2....	NUT 10-24 HEX NYLOC
24..	539 110432....	1....	ELBOW	53..	539 976978....	5....	NUT 1/4-20 HEX NYLOC
25..	539 110056....	1....	LENS, LT	54..	539 112899....	4....	NUT 5/16-18 FLANGE NYLOC
26..	539 110455....	1....	RIM, LT	NOT SHOWN			
27..	539 110057....	1....	LENS, RT	581 091901 ...	1....	HARNESS, WIRING	
28..	539 110451....	1....	RIM, RT				
29..	576 660702....	1....	FUEL LINE ASSY				

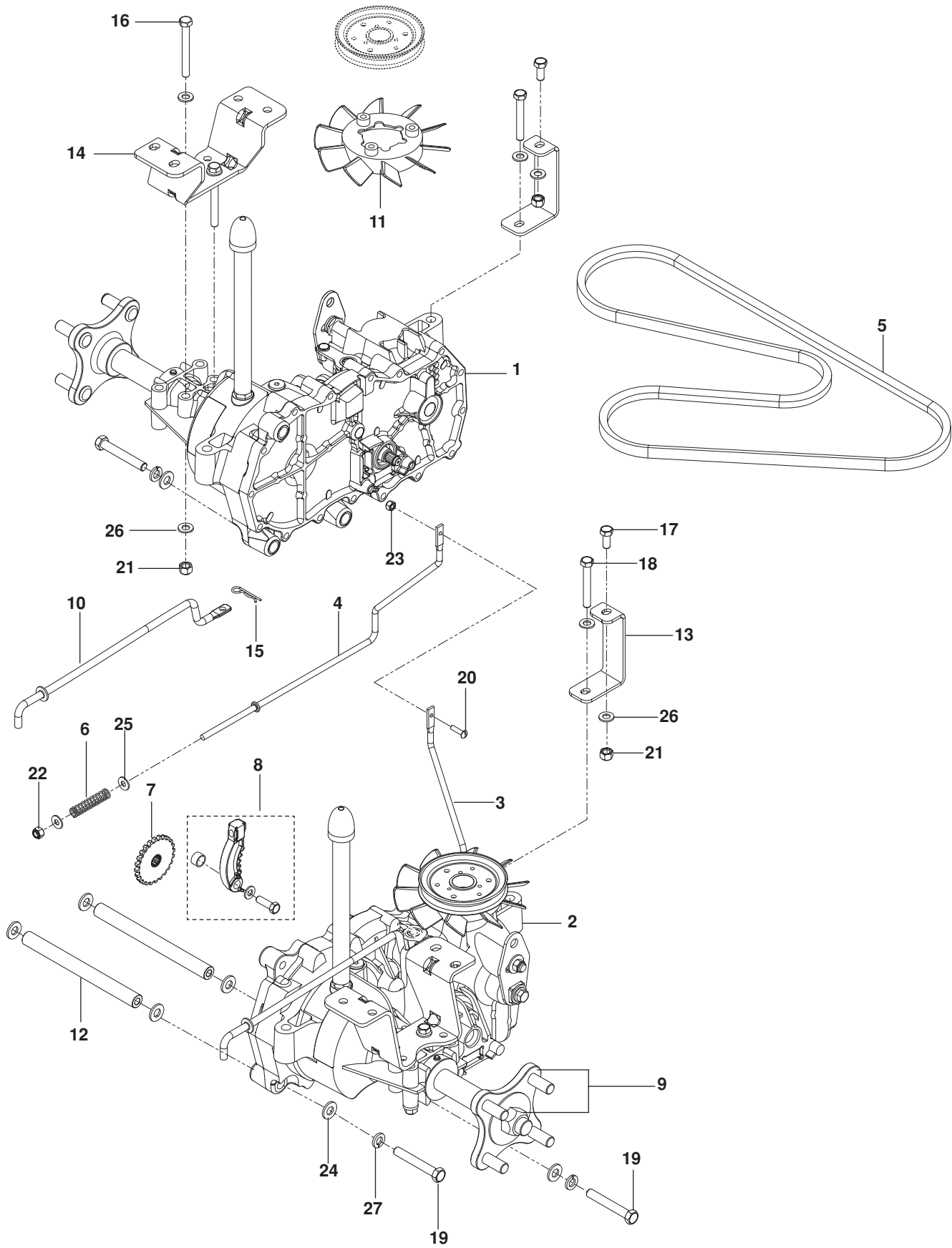
BRAKE / LIFT



BRAKE / LIFT

ITEM	PART NO.	QTY.	DESCRIPTION	ITEM	PART NO.	QTY.	DESCRIPTION
1..	580 435801....	1....	SHAFT, BRAKE	11..	532 195185....	2....	ARM, SUSPENSION RR
2..	532 448208....	1....	SHAFT, LIFT	12..	532 195161....	2....	STUD w/ANTI- ROTATE
3..	510 422901....	2....	ROD, HANDLE RELEASE	13..	539 976989....	2....	HAIRPIN
4..	516 008801....	1....	ROD, LATCH RELEASE	14..	539 105069....	3....	E-RING
5..	510 030701....	2....	SPRING, COMPRESSION	15..	532 175994....	2....	NUT, LIFT LINK
6..	539 118762....	2....	SPRING	16..	510 184901....	4....	NUT, PLASTIC
7..	510 207201....	2....	GRIP, HANDLE	17..	539 112899....	2....	NUT ⁵ / ₁₆ -18 HEX FLG NYLOC
8..	510 207301....	2....	BUTTON, PUSH	18..	539 976978....	2....	NUT ¹ / ₄ -20 HEX NYLOC
9..	525 847201....	2....	LINK, REAR SUSPENSION	19..	539 990598....	1....	WASHER ¹ / ₄ FLT
10..	522 858601....	2....	BRACKET, CENTERING LNK	20..	539 976982....	2....	WASHER ⁵ / ₈ SAE FLT

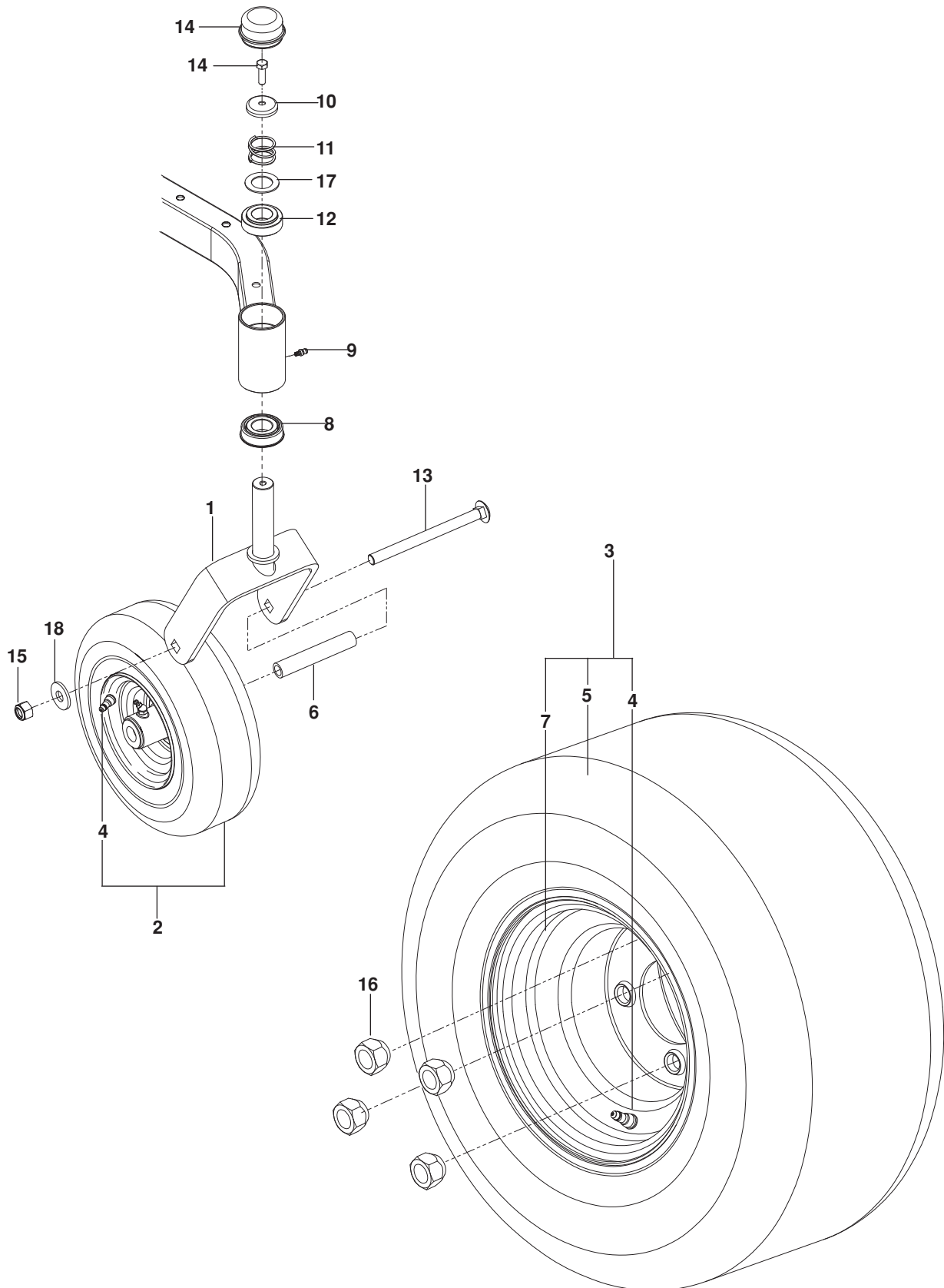
HYDRAULIC PUMP - MOTOR



HYDRAULIC PUMP-MOTOR

ITEM	PART NO.	QTY.	DESCRIPTION	ITEM	PART NO.	QTY.	DESCRIPTION
1..	510 375601....	1....	EZT, LT	15..	539 976988....	1....	HAIRPIN
2..	510 375602....	1....	EZT, RT	16..	874 780544....	4....	HCS 5/16-18 x 2 3/4
3..	574 030501....	1....	ROD, EZT BRAKE LT	17..	874 780512....	2....	HCS 5/16-18 x 3/4
4..	574 030502....	1....	ROD, EZT BRAKE RT	18..	874 780536....	2....	HCS 5/16-18 x 2 1/4
5..	539 110411....	1....	BELT, EZT	19..	874 780640....	4....	HCS 3/8-16 x 2 1/2
6..	539 110342....	2....	SPRING, BRAKE ROD	20..	874 811012....	1....	SCREW 10-24 x 3/4 SLTD RD
7..	539 120080....	2....	COG, BRAKE DISC	21..	873 800500....	8....	NUT 5/16-18 HEX NYLOC
8..	539 120079....	2....	BRAKE ARM KIT	22..	873 800400....	2....	NUT 1/4-20 HEX NYLOC
9..	575 507001....	1....	HUB KIT w/ HUBS, NUTS	23..	539 976977....	1....	NUT 10-24 HEX NYLOC
10..	522 941101....	2....	LINK ARM, BYPASS	24..	819 131316....	8....	WASHER 3/8 SAE FLT
11..	539 120785....	2....	BLADE, FAN	25..	819 091016....	4....	WASHER 1/4 SAE FLT
12..	510 184104....	2....	SPACER TUBE	26..	819 111116..	14....	WASHER 5/16 SAE FLT
13..	580 806502....	2....	SUPPORT, EZT FRT	27..	810 030600....	4....	WASHER 3/8 SPLT LCK
14..	580 806602....	2....	MOUNT, EZT RR BLK				

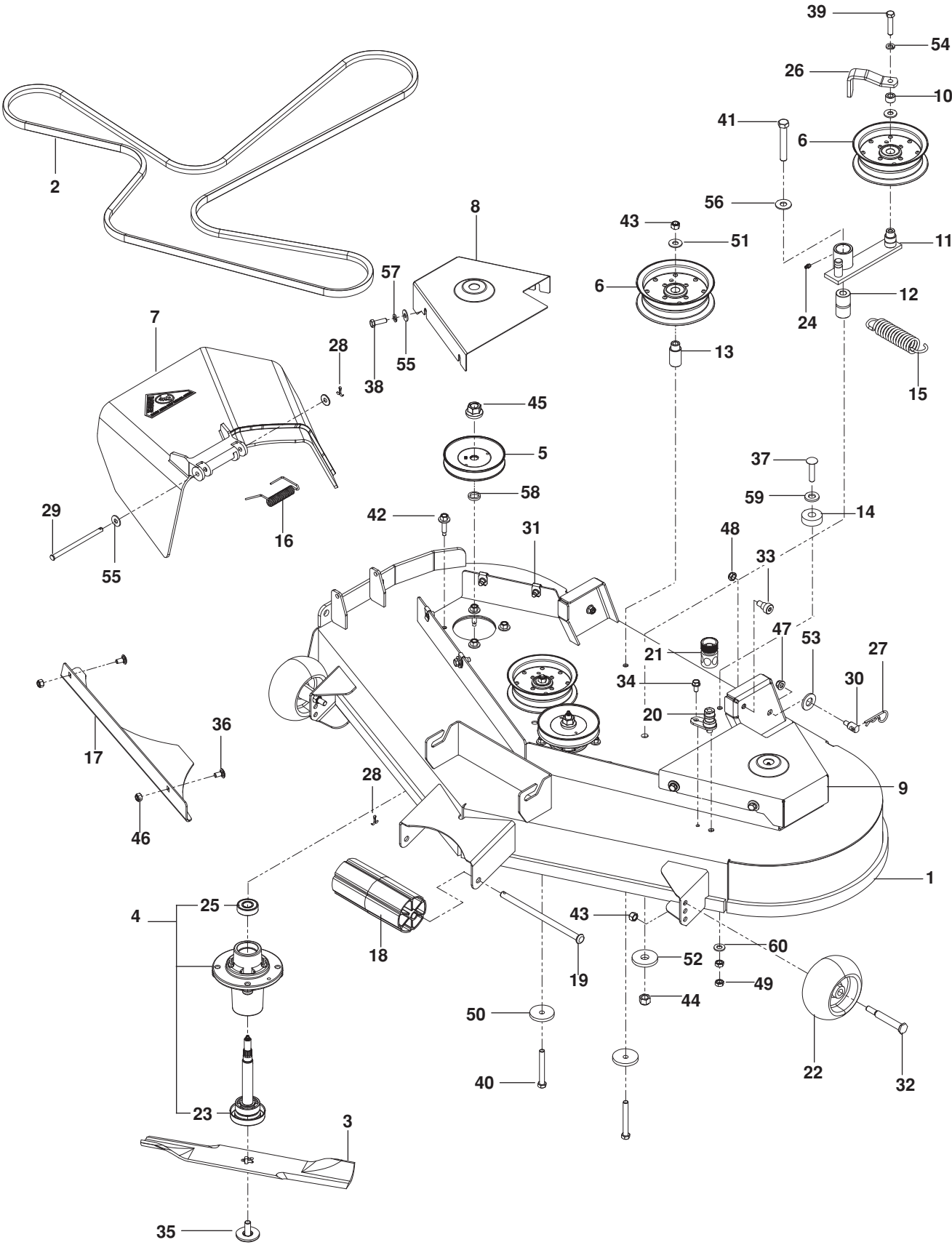
WHEELS AND TIRES



WHEELS AND TIRES

ITEM	PART NO.	QTY.	DESCRIPTION	ITEM	PART NO.	QTY.	DESCRIPTION
1..	576 588802....	2....	YOKE, ORG	10..	539 115749....	2....	PLUG, CASTER
2..	576 588602....	2....	CASTER TIRE ASSY	11..	539 115747....	2....	SPRING, CASTER
3..	579 753401....	2....	WHEEL ASSY, REAR 18 x 9.5	12..	539 117901....	2....	BUSHING, CASTER
4..	539 912234....	4....	VALVE STEM	13..	576 601501....	2....	RHSNB 1/2-13 x 7 1/2
5..	539 130822....	2....	TIRE 18 x 9.5 TURF	14..	539 115566....	2....	HHB w/ NY 5/16-18 x 1
6..	576 588901....	2....	SPACER	15..	539 200100....	2....	NUT 1/2 HEX CNTRLK
7..	539 112217....	2....	RIM 8 x 7 w/ .8" OFFSET	16..	539 101173....	8....	NUT 1/2 LUG
8..	539 112660....	2....	BEARING, FLANGED	17..	539 115675....	2....	WASHER
9..	539 115638....	2....	ZERK 3/16 DRIVE	18..	539 109554....	2....	WASHER 1/2 FLT

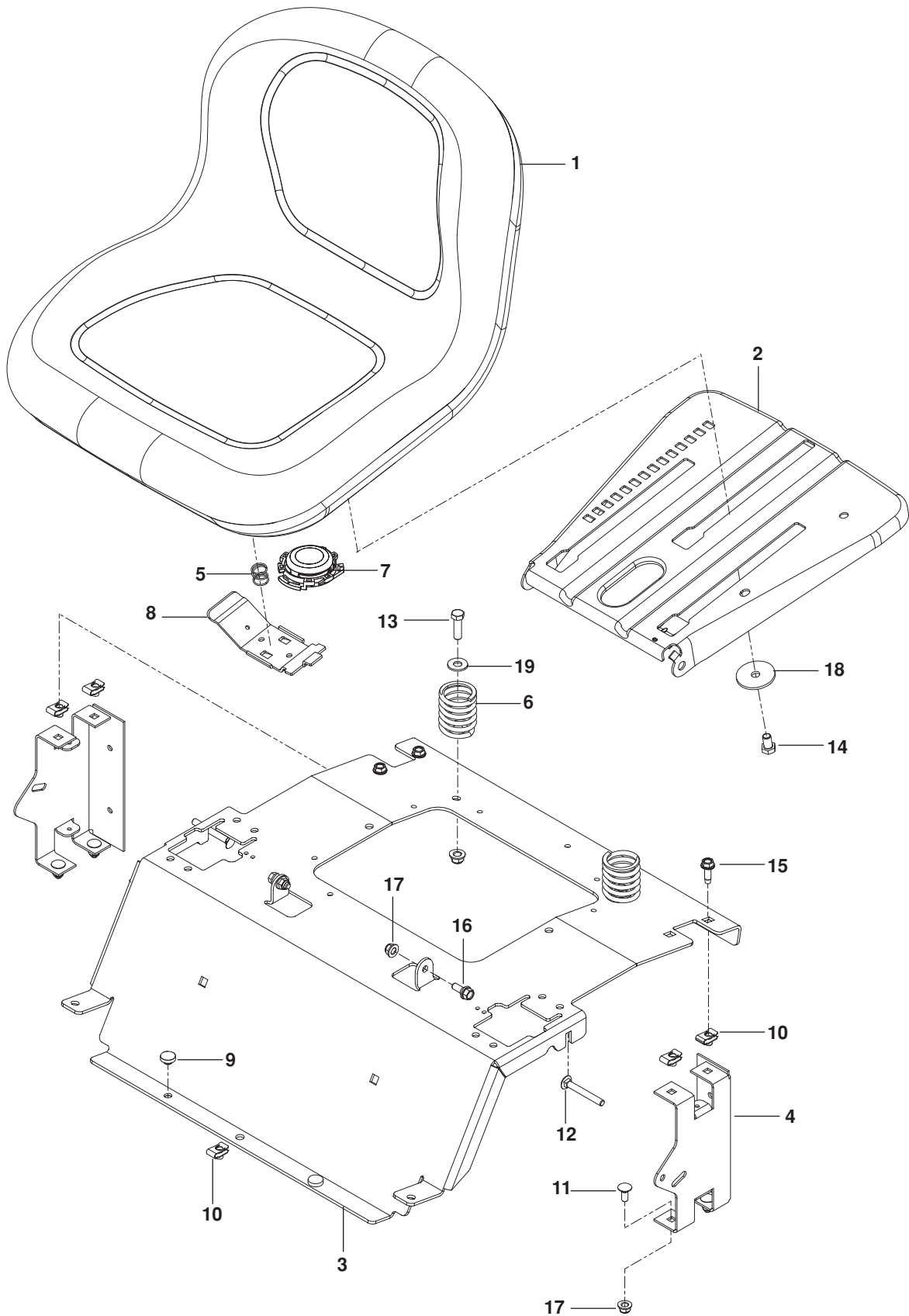
MOWER DECK / CUTTING DECK



MOWER DECK / CUTTING DECK

ITEM	PART NO.	QTY.	DESCRIPTION	ITEM	PART NO.	QTY.	DESCRIPTION
1..	522 534805....	1....	DECK, w/ SAFETY DECALS	31..	539 104763....	8....	RETAINER, U TYPE
2..	539 109243....	1....	BELT, DECK	32..	532 193406....	2....	BOLT $\frac{3}{8}$ -16 x $3\frac{5}{8}$ SHOULDER
3..	539 113425....	3....	BLADE	33..	539 113621....	2....	BOLT $\frac{3}{8}$ -16 x $1\frac{1}{4}$ SHOULDER
4..	539 112170....	3....	HOUSING ASSY	34..	817 490408....	1....	BOLT $\frac{1}{4}$ -20 x $\frac{1}{2}$ HWST
5..	532 112171....	3....	PULLEY, MANDREL	35..	532 193003....	3....	BOLT $\frac{7}{16}$ BLADE
6..	539 132728....	3....	PULLEY, IDLER	36..	872110505....	2....	RHSNB $\frac{5}{16}$ -18 x $\frac{5}{8}$
7..	539 110732....	1....	CHUTE, DISCHARGE	37..	539 990923....	1....	RHSNB $\frac{3}{8}$ -16 x $1\frac{3}{4}$
8..	539 113411....	1....	BELT SHIELD, RT ORG	38..	874 780516....	8....	HCS $\frac{5}{16}$ -18 x 1
9..	539 113413....	1....	BELT SHIELD, LT ORG	39..	539 990730....	1....	HCS $\frac{3}{8}$ -16 x $1\frac{3}{4}$
10..	539 923515....	1....	SPACER	40..	874 780648....	2....	HCS $\frac{3}{8}$ -16 x 3
11..	539 112198....	1....	ARM, IDLER	41..	874 780852....	1....	HCS $\frac{1}{2}$ -13 x $3\frac{1}{4}$
12..	539 103427....	1....	BUSHING, PIVOT	42..	532 173984....	12....	SCREW $\frac{5}{16}$ -18 x WSH HD
13..	539 112169....	2....	BUSHING, IDLER	43..	873 800600....	4....	NUT $\frac{3}{8}$ -16 HEX NYLOC
14..	539 116378....	1....	BUSHING, ISO MOUNT	44..	873 800800....	1....	NUT $\frac{1}{2}$ HEX NYLOC
15..	539 103256....	1....	SPRING	45..	532 400234....	3....	NUT $\frac{9}{16}$ TOP CNTRLK
16..	539 110735....	1....	SPRING, TORSION	46..	873 800500....	2....	NUT $\frac{5}{16}$ -18 HEX NYLOC
17..	539 113427....	1....	PLATE, CONFINEMENT BLK	47..	539 112899....	2....	NUT $\frac{5}{16}$ -18 HEX FLG NYLOC
18..	532 176066....	1....	ROLLER, NOSE	48..	539 200282....	2....	NUT $\frac{3}{8}$ -16 HEX JAM NYLOC
19..	532 179127....	1....	ROD, ROLLER NOSE	49..	539 109332....	2....	NUT $\frac{3}{8}$ -16 HEX JAM
20..	532 415598....	1....	WASHOUT PORT	50..	539 106504....	2....	WASHER, HEAVY
21..	532 416405....	1....	COUPLING, CONNECT	51..	819 141614....	3....	WASHER $\frac{3}{8}$ STD FLT
22..	532 133957....	2....	WHEEL, GAUGE	52..	539 102243....	1....	WASHER, SUPPORT
23..	532 187291....	3....	SHAFT	53..	819 212113....	2....	WASHER $\frac{5}{8}$ SAE FLT
24..	539 976998....	1....	ZERK	54..	810 030600....	1....	WASHER $\frac{3}{8}$ SPLT LCK
25..	532 110485....	3....	BEARING, BALL	55..	819 121414....	10....	WASHER $\frac{5}{16}$ STD FLT
26..	539 114981....	1....	GUIDE, BELT	56..	819 182214....	1....	WASHER $\frac{1}{2}$ STD FLT
27..	539 976989....	2....	HAIRPIN	57..	810 030500....	8....	WASHER $\frac{5}{16}$ SLW
28..	876 020412....	2....	PIN, COTTER $\frac{1}{8}$ x $\frac{3}{4}$	58..	532 187690....	3....	WASHER, SPACER
29..	539 110736....	1....	PIN, CLEVIS $\frac{5}{16}$	59..	819 171713....	1....	WASHER, SAE FLT
30..	532 195161....	2....	STUD w/ ANTI-ROTATE	60..	819 131316....	1....	WASHER $\frac{3}{8}$ SAE FLT

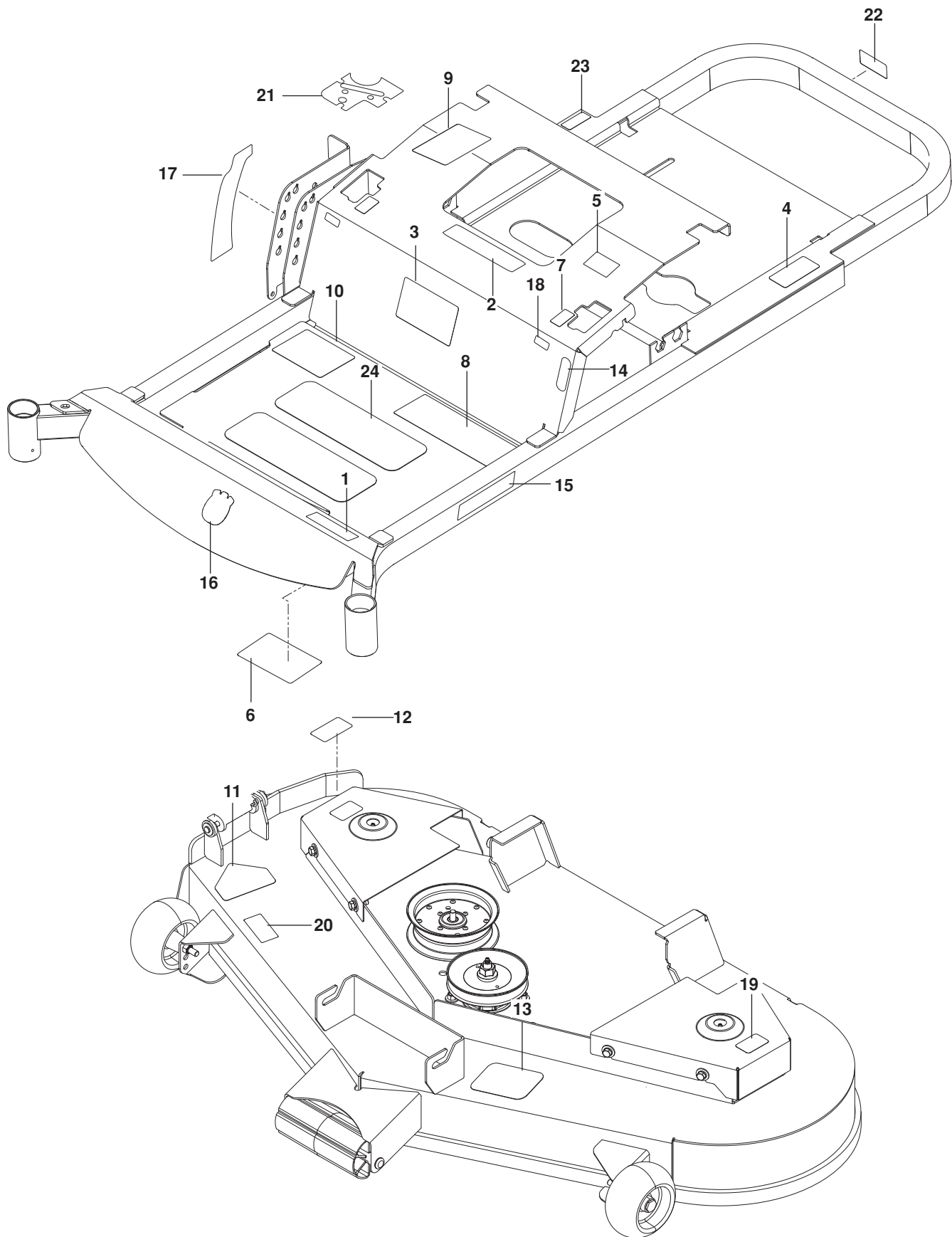
SEAT



SEAT

ITEM	PART NO.	QTY.	DESCRIPTION	ITEM	PART NO.	QTY.	DESCRIPTION
1..	532 439822....	1....	SEAT	11..	539 990316....	4....	RHSNB $\frac{5}{16}$ -18 x $\frac{3}{4}$
2..	532 196977....	1....	PAN, SEAT	12..	510 422701....	2....	RHSNB $\frac{5}{16}$ -18 x $2\frac{1}{2}$
3..	577 260503 ...	1....	SUPPORT, SEAT ORG	13..	539 976941....	2....	HCS $\frac{3}{8}$ -16 x $1\frac{1}{4}$
4..	580 308202....	2....	SUPPORT, SEAT RR BLK	14..	539 108503....	1....	HCS $\frac{3}{8}$ -16 x $\frac{5}{8}$
5..	532 198200....	1....	SPRING, LATCH	15..	539 107475....	4....	BOLT $\frac{5}{16}$ -18 x $\frac{3}{4}$ THD FRM
6..	532 124181....	2....	SPRING, SEAT	16..	539 110303....	2....	BOLT $\frac{5}{16}$ -18 SHOULDER
7..	539 132140....	1....	SWITCH, SEAT	17..	539 112899....	4....	NUT $\frac{5}{16}$ -18 HEX FLG NYLOC
8..	532 197661....	1....	HANDLE, SLIDE	18..	539 111897....	1....	WASHER $\frac{3}{8}$ SPECIAL
9..	539 102587....	2....	GROMMET, BUMPER	19..	539 990517....	2....	WASHER $\frac{3}{8}$ STD FLT
10..	539 104763....	5....	RETAINER, U TYPE				

DECALS

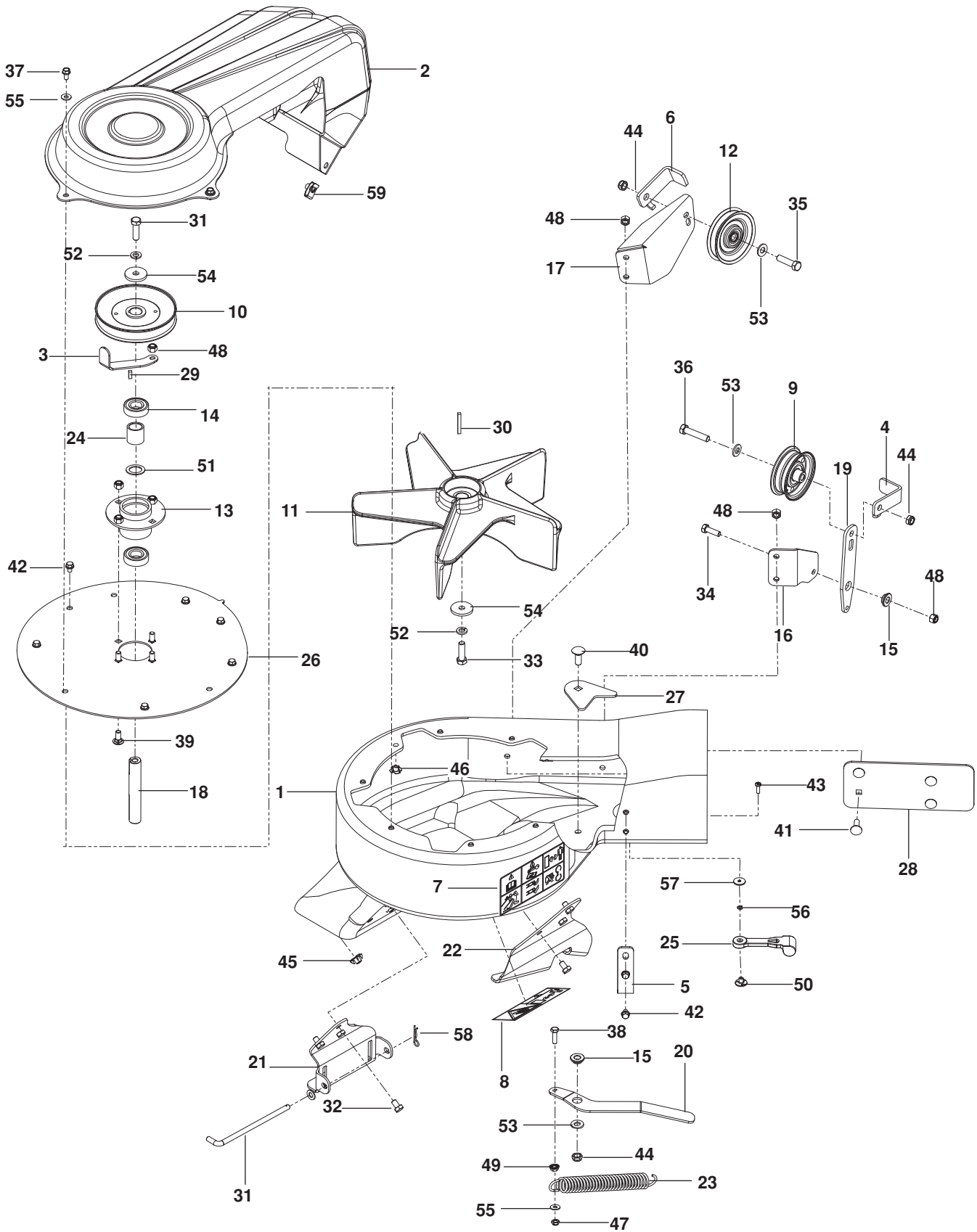


DECALS

ITEM	PART NO.	QTY.	DESCRIPTION	ITEM	PART NO.	QTY.	DESCRIPTION
1..	521 949323....	1....	DECAL, RZ4824F	13..	539 112620....	1....	DECAL, BELT ROUTING
2..	539 105745....	1....	DECAL, BATTERY WARNING	14..	539 120006....	1....	DECAL, PARK BRAKE
3..	539 108179....	1....	DECAL, START	15..	532 429196....	2....	DECAL, HUSQVARNA
4..	539 108385....	1....	DECAL, DO NOT TOW	16..	532 428676....	2....	DECAL, CROWN H
5..	539 108386....	1....	DECAL, EXIT MOWER	17..	576 979101....	1....	DECAL, HEIGHT
6..	539 109897....	1....	DECAL, SERVICE	18..	539 110974....	2....	DECAL, TRACKING
7..	539 103333....	2....	DECAL, MOTION CONTROL	19..	581 724301....	2....	DECAL, NO STEP
8..	539 109908....	1....	DECAL, SAFETY WARNINGS	20..	539 105746....	1....	SEVERING
9..	539 110522....	1....	DECAL, RESPONSIBILITY	21..	576 916702....	1....	DECAL, CONSOLE
10..	539 113213....	1....	DECAL, WARNINGS	22..	539 101881....	1....	DECAL, EXHAUST WARN
11..	539 913010....	1....	DECAL, BLADE DANGER	23..	532 424102....	1....	DECAL, SPARK ARRESTOR
12..	539 113224....	1....	DECAL, DEFLECTOR	24..	539 977778....	3....	ABRASIVE PAD

ACCESSORIES

BLOWER

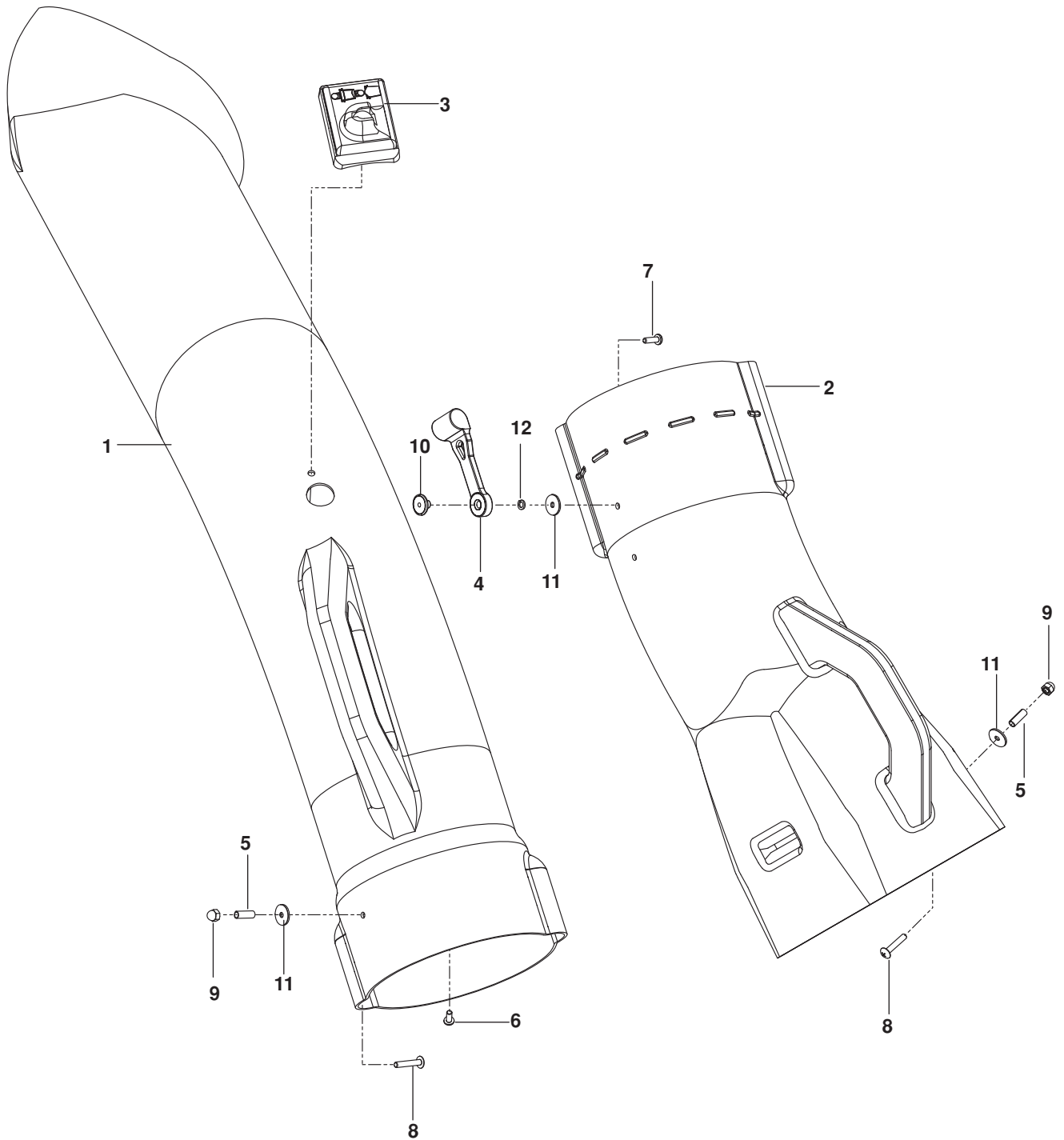


ACCESSORIES

ITEM	PART NO.	QTY.	DESCRIPTION	ITEM	PART NO.	QTY.	DESCRIPTION
1..	539 130344....	1....	HOUSING w/DECALS	31..	539 130317....	1....	PIN
2..	539 130293....	1....	COVER, BELT	32..	539 130315....	6....	HCS $\frac{5}{16}$ -18 x $\frac{1}{2}$
3..	539 131085....	1....	KEEPER, BELT OUTER	33..	539 110321....	2....	HCS $\frac{3}{8}$ -24 x $1\frac{1}{4}$ GR 8
4..	579 137602....	2....	KEEPER, BELT REAR	34..	539 990209....	1....	HCS $\frac{5}{16}$ -18 x 1
5..	539 130346....	1....	KEEPER	35..	539 990655....	1....	HCS $\frac{3}{8}$ -16 x $1\frac{1}{2}$
6..	579 137702....	1....	KEEPER	36..	539 976949....	1....	HCS $\frac{3}{8}$ -16 x $1\frac{3}{4}$
7..	539 105785....	1....	DECAL, WARNING	37..	539 108461....	3....	HCS $\frac{1}{4}$ -20 x $\frac{1}{2}$
8..	539 106741....	1....	DECAL, SEVERING	38..	539 990643....	1....	HCS $\frac{1}{4}$ -20 x $\frac{7}{8}$
9..	579 150802....	1....	PULLEY, IDLER	39..	539 990316....	4....	RHSNB $\frac{5}{16}$ -18 x $\frac{3}{4}$
10..	539 130324....	1....	PULLEY	40..	539 990645....	1....	RHSNB $\frac{3}{8}$ -16 x 1
11..	539 130292....	1....	IMPELLER	41..	539 990208....	4....	RHSNB $\frac{5}{16}$ -18 x 1
12..	539 113683....	1....	V-IDLER	42..	539 990302....	8....	SCREW $\frac{1}{4}$ x $\frac{3}{8}$ THD FRM
13..	539 130295....	1....	HUB, BEARING	43..	539 976952....	1....	SCREW #10-24 x $\frac{5}{8}$
14..	539 130296....	2....	BEARING	44..	539 200282....	3....	NUT $\frac{3}{8}$ -16 HEX JAM NYLOC
15..	539 130301....	2....	BUSHING	45..	539 130313....	6....	NUT $\frac{5}{16}$ -18 TEE
16..	579 137402....	1....	MOUNT, IDLER, UPPER	46..	539 130314..	11....	NUT $\frac{1}{4}$ -20 TEE
17..	579 137502....	1....	MOUNT, IDLER, LOWER	47..	539 108120....	1....	NUT $\frac{1}{4}$ -20 HEX NYLOC
18..	539 130316....	1....	SHAFT, IMPELLER	48..	539 990717....	9....	NUT $\frac{5}{16}$ -18 HEX NYLOC
19..	579 137302....	1....	ARM, IDLER	49..	539 108735....	1....	NUT $\frac{1}{4}$ -20 HEX FLANGE
20..	539 130338....	1....	ARM, TENSION	50..	539 108089....	1....	WELD NUT, PLATED
21..	539 130339....	1....	BRACKET, MOUNT, FRONT	51..	539 910935....	1....	WASHER
22..	539 130340....	1....	BRACKET, MOUNT, REAR	52..	539 990118....	2....	WASHER $\frac{3}{8}$ SPLT LOCK
23..	539 101977....	1....	TRACTION SPRING	53..	539 990122....	3....	WASHER $\frac{3}{8}$ SAE FLT
24..	539 130323....	1....	SPACER	54..	539 110323....	2....	WASHER, HARDENED
25..	539 108088....	1....	LATCH, HOOD	55..	539 990055....	4....	WASHER $\frac{1}{4}$ FLAT SAE
26..	539 130341....	1....	PLATE, OUTER	56..	539 109552....	2....	WASHER $\frac{3}{16}$ LOCK
27..	539 132124....	1....	PLATE, BACKING	57..	539 108084....	2....	WASHER $\frac{3}{16}$ x $\frac{3}{4}$ x 16 GA
28..	539 132122....	1....	PLATE, BACKING	58..	539 976988....	1....	HAIRPIN
29..	539 115667....	1....	KEY $\frac{3}{16}$ x $\frac{1}{2}$	59..	539 104763....	1....	RETAINER U TYPE
30..	539 125229....	1....	KEY $\frac{3}{16}$ x $1\frac{1}{2}$				

ACCESSORIES

CHUTES

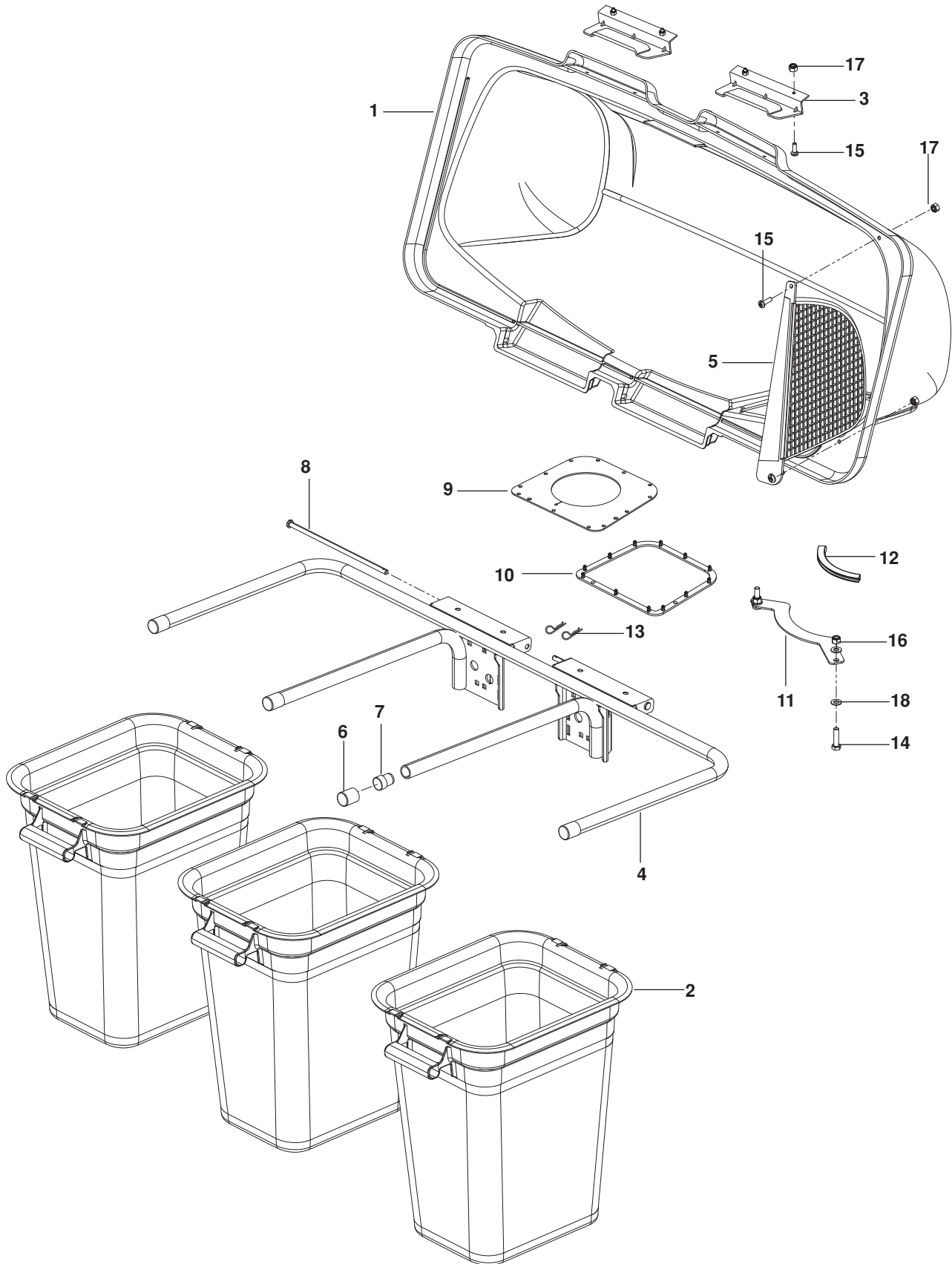


ACCESSORIES

ITEM	PART NO.	QTY.	DESCRIPTION	ITEM	PART NO.	QTY.	DESCRIPTION
1..	522 739202....	1....	CHUTE, UPPER	7..	539 976952....	1....	SCREW #10-24 x 5/8
2..	539 130294....	1....	CHUTE, MIDDLE	8..	539 108083....	2....	SCREW #10-24 x 1 1/8
3..	539 108082....	1....	INDICATOR, BAG DUMP	9..	539 108086....	2....	NUT #10-24 ACORN
4..	539 108088....	1....	LATCH, HOOD	10..	539 108089....	1....	WELD NUT, PLATED
5..	539 108085....	2....	SPACER, SPLIT	11..	539 108084....	3....	WASHER 3/16 x 3/4 x 16 GA
6..	539 108081....	1....	SCREW #10-14 x 1/2	12..	539 109552....	2....	WASHER 3/16 LOCK

ACCESSORIES

BAGGER

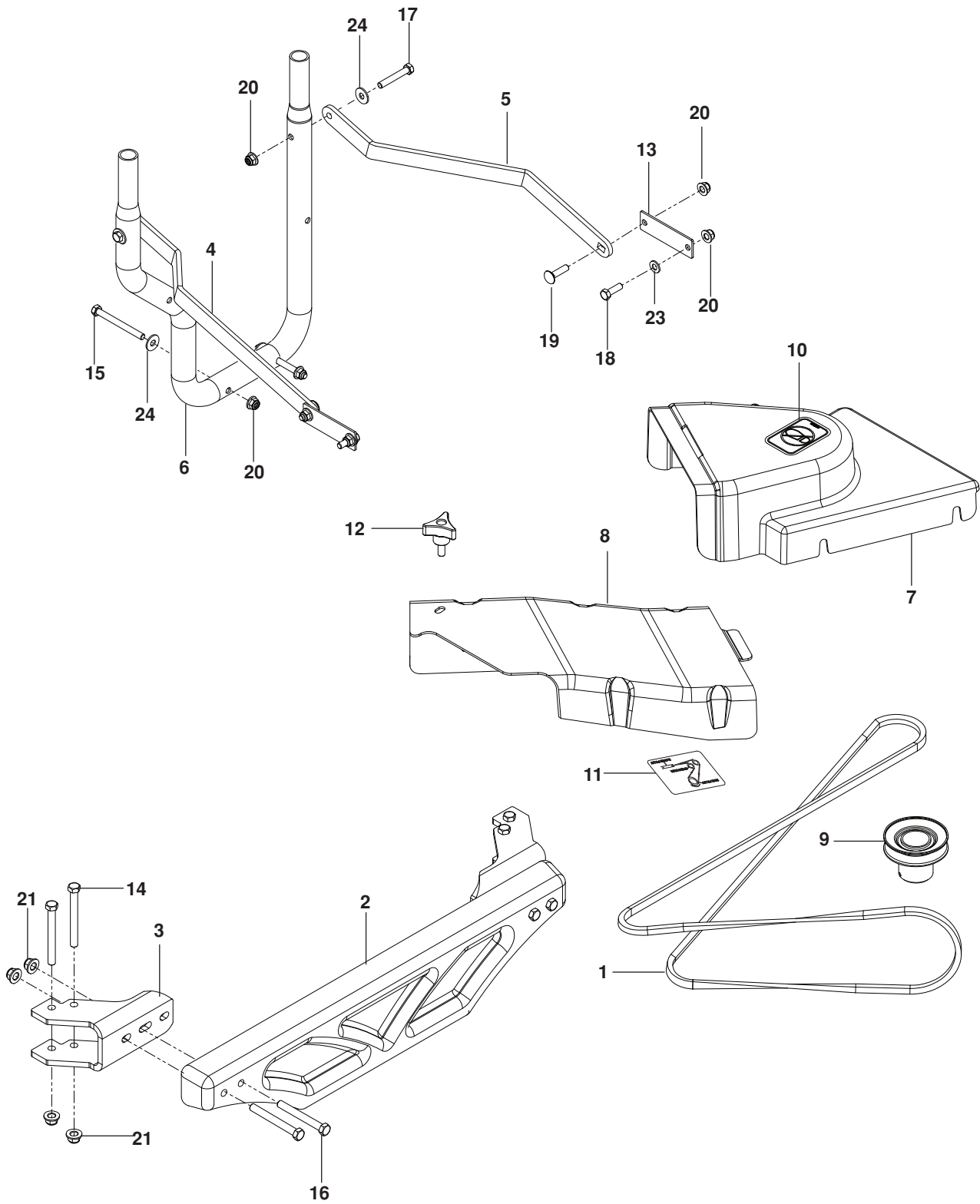


ACCESSORIES

ITEM	PART NO.	QTY.	DESCRIPTION	ITEM	PART NO.	QTY.	DESCRIPTION
1..	532 195373....	1....	COVER	10..	532 192603....	1....	GASKET, COVER
2..	532 400226....	3....	CONTAINER, SOFT BAG	11..	539 110281....	1....	SUPPORT, CHUTE
3..	532 130895....	2....	HANDLE, BAGGER COVER	12..	539 112294....	1....	FLEX TRIM
4..	539 108098....	1....	FRAME, BAGGER	13..	539 108096....	2....	HAIR PIN
5..	532 192709....	1....	SCREEN, COVER	14..	539 990627....	2....	HCS $\frac{5}{16}$ -18 x $1\frac{1}{4}$
6..	539 108097....	4....	PLUG, TUBING END	15..	539 976952....	6....	SCREW #10-24 x $\frac{5}{8}$
7..	522 801301....	2....	PLUG, SPACER	16..	539 112899....	2....	NUT $\frac{5}{16}$ -18 HEX FLG NYLOC
8..	532 192786....	2....	PIN, HINGE	17..	539 976977....	6....	NUT #10-24 CROWNLOCK
9..	532 192550....	1....	SEAL, COVER	18..	539 990188....	4....	WASHER $\frac{5}{16}$ SAE

ACCESSORIES

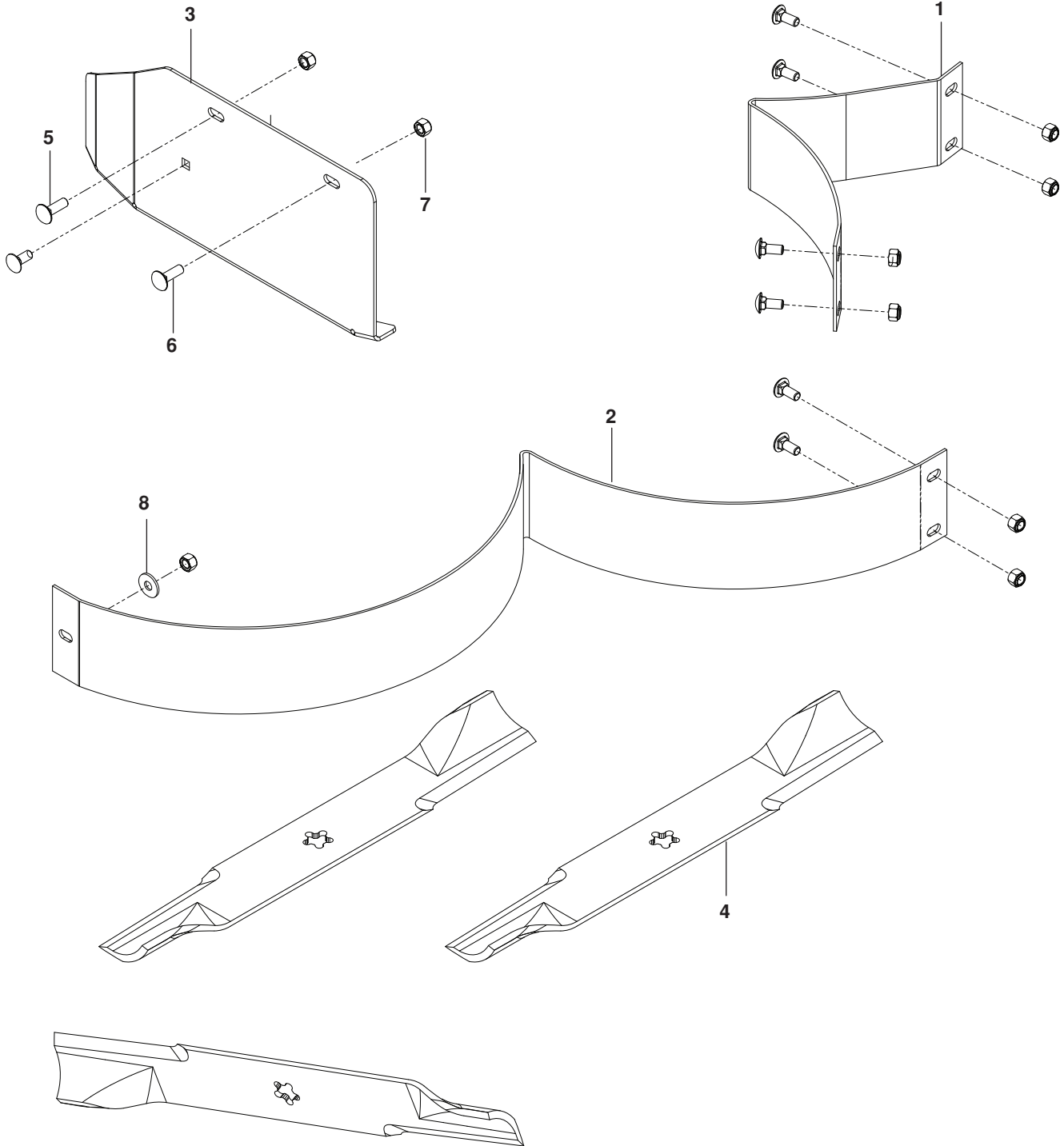
SHIELD, MOUNTS, WEIGHTS, BELT



ACCESSORIES

ITEM	PART NO.	QTY.	DESCRIPTION	ITEM	PART NO.	QTY.	DESCRIPTION
1..	539 130347....	1....	BELT	13..	523 112802 ...	2....	PLATE, REINFORCEMENT
2..	539 111587....	1....	WEIGHT PLATE	14..	539 108271....	4....	HCS $\frac{3}{8}$ -16 x 3 $\frac{1}{2}$
3..	522 923202....	2....	WEIGHT BRACKET	15..	539 101520....	2....	HCS $\frac{5}{16}$ -18 x 3 $\frac{1}{4}$
4..	522 854402....	1....	STRAP, SUPPORT, RT 26"	16..	539 101341....	4....	HCS $\frac{3}{8}$ -16 x 3
5..	522 854502....	1....	STRAP, SUPPORT, LT 26"	17..	539 976937....	2....	HCS $\frac{5}{16}$ -18 x 2
6..	539 131091....	1....	TUBE, MOUNT	18..	539 990209....	2....	HCS $\frac{5}{16}$ -18 x 1
7..	539 130306....	1....	SHIELD, BELT	19..	539 100472....	2....	RHSNB $\frac{5}{16}$ -18 x 1 $\frac{1}{4}$
8..	539 130309....	1....	COVER, BELT	20..	539 112899....	8....	NUT $\frac{5}{16}$ -18 HEX FLG NYLOC
9..	539 130319....	1....	PULLEY	21..	521 996501....	8....	NUT $\frac{3}{8}$ -16 HEX FLANGE
10..	539 105743....	1....	DECAL, NO STEP	22..	539 990188....	2....	WASHER $\frac{5}{16}$ SAE FLAT
11..	539 130349....	1....	DECAL, BELT ROUTING	23..	539 990692....	4....	WASHER $\frac{5}{16}$ STD FLT
12..	539 104411....	1....	KNOB w/ STUD				

ACCESSORIES



ACCESSORIES

ITEM	PART NO.	QTY.	DESCRIPTION	ITEM	PART NO.	QTY.	DESCRIPTION
1..	539 113417....	1....	BAFFLE, MULCH, LEFT	5..	539 990208....	2....	RHSNB ⁵ / ₁₆ -18 x 1 GR5
2..	539 113419....	1....	BAFFLE, MULCH, RIGHT	6..	539 990316....	7....	RHSNB ⁵ / ₁₆ -18 X ³ / ₄ GR5
3..	539 113428....	1....	CAP, MULCH, 48	7..	539 990717....	9....	NUT ⁵ / ₁₆ -18 NYLOC
4..	522 037401....	3....	BLADE, 16 ¹ / ₄ " GATOR	8..	539 990692....	1....	WASHER ⁵ / ₁₆

