

Gasoline containing up to 10% ethanol (E10) is acceptable for use in this machine. The use of any gasoline exceeding 10% ethanol (E10) will void the product warranty.

Parts Manual

RZ4824F / 967003801



Please read the operator's manual carefully and make sure you understand the instructions before using the machine.

When you need spare parts or support in service questions, warranty issues, etc., please consult the following professional:

| | | |
|---|--------|--------------|
| | | |
| This manual belongs to the machine with the manufacturing number: | Engine | Transmission |

Manufacturing Number

The machine's manufacturing number can be found on the printed plate affixed to the engine compartment.

Stated on the plate, from the top are:

- The machine's type designation (I.D.).
- The manufacturer's type number (Model).
- The machine's serial number (Serial no.)

Please have the type designation and serial number available when ordering spare parts.

The engine's manufacturing number is stamped on one of the valve covers.

The plate states:

- The engine's model.
- The engine's type.
- Code

Please have these available when ordering spare parts.

The wheel motors and hydrostatic pumps have a barcode decal affixed at the rear.

Accessories Available

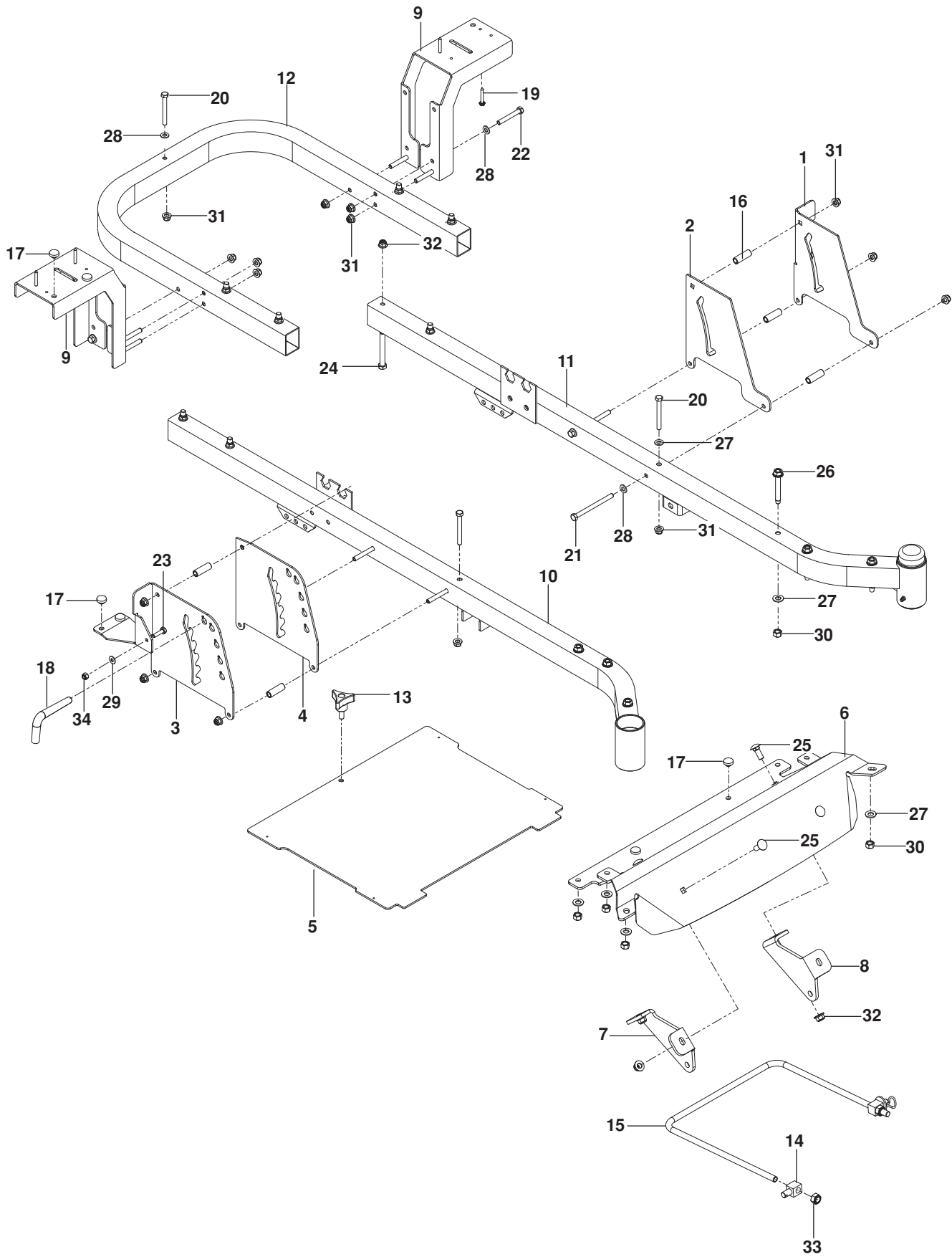
| | |
|------------------------|------------|
| Collection System..... | 966 792801 |
| Mulch Kit..... | 965 894003 |

CONTENTS

| | | | |
|--------------------------------|----|------------------------------------|----|
| FRAME..... | 4 | SEAT | 20 |
| ENGINE PLATE..... | 6 | DECALS..... | 22 |
| STEERING | 8 | ACCESSORIES | |
| IGNITION..... | 10 | BLOWER..... | 24 |
| BRAKE / LIFT..... | 12 | CHUTES | 26 |
| HYDRAULIC PUMP - MOTOR..... | 14 | BAGGER..... | 28 |
| WHEELS AND TIRES..... | 16 | SHIELD, MOUNTS, WEIGHTS, BELT..... | 30 |
| MOWER DECK / CUTTING DECK..... | 18 | | |

NOTE ALL FASTENERS ARE GRADE 5 UNLESS OTHERWISE SPECIFIED.

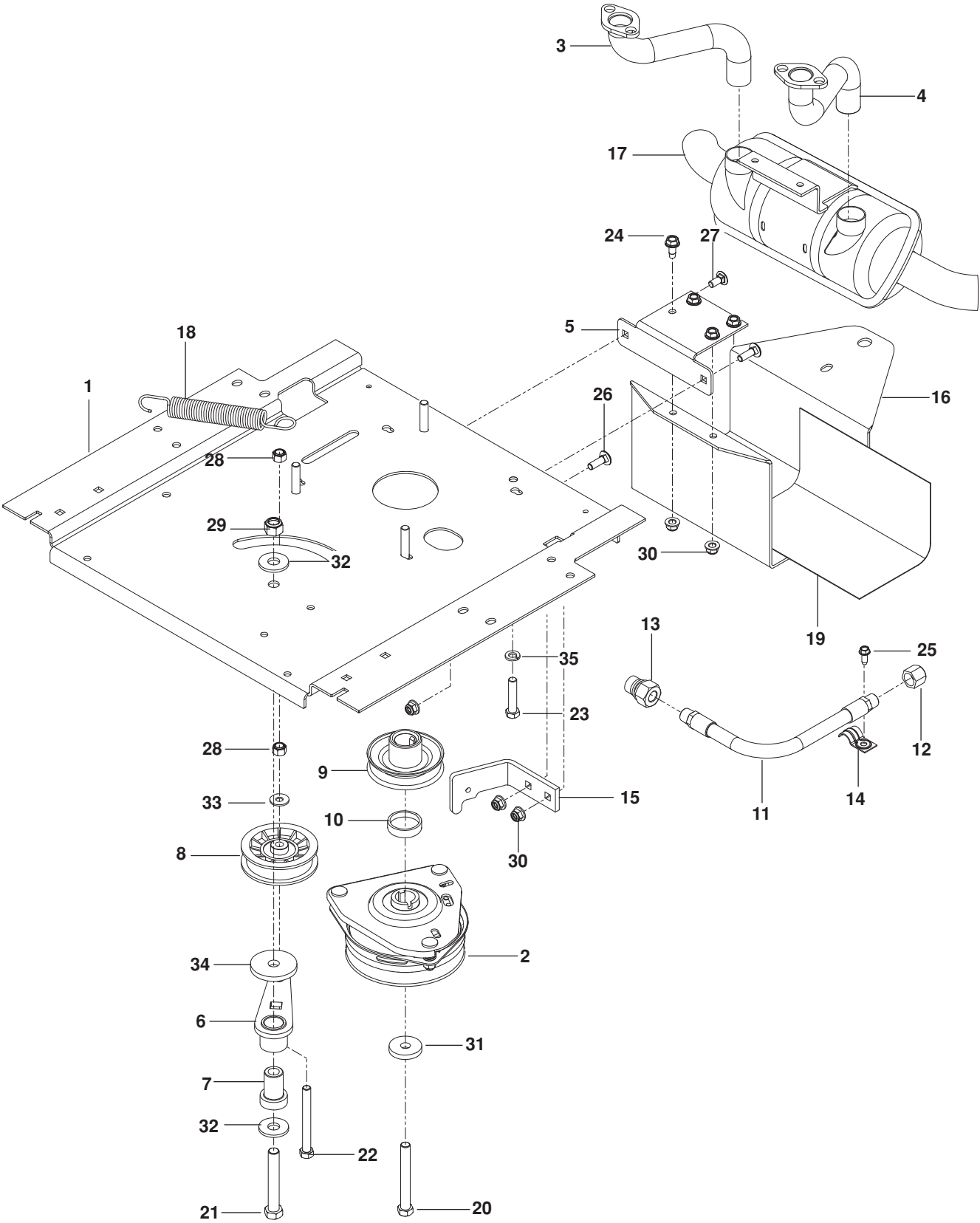
FRAME



FRAME

| ITEM | PART NO. | QTY. | DESCRIPTION | ITEM | PART NO. | QTY. | DESCRIPTION |
|------|----------------|-------|--------------------------|------|----------------|--------|----------------------------|
| 1.. | 510 261802.... | 1.... | PLATE, OUTER BRAKE BLK | 18.. | 510 016503.... | 1.... | LIFT PIN |
| 2.. | 510 206703.... | 1.... | PLATE, BRAKE LATCH BLK | 19.. | 539 110674.... | 4.... | SCREW 10-12 x 1¼ HEX WSH |
| 3.. | 580 528002.... | 1.... | PLATE, LIFT OUTER BLK | 20.. | 874 780544.... | 3.... | HCS 5/16-18 x 2¾ |
| 4.. | 510 240502.... | 1.... | PLATE, LIFT INNER BLK | 21.. | 874 780564.... | 4.... | HCS 5/16-18 x 4 |
| 5.. | 522 842902.... | 1.... | FOOT PLATE w/ SFTY DECLS | 22.. | 874 780536.... | 6.... | HCS 5/16-18 x 2¼ |
| 6.. | 522 719506.... | 1.... | FOOT REST ORG | 23.. | 874 780416.... | 2.... | HCS ¼-20 x 1 |
| 7.. | 581 222802.... | 1.... | MOUNT, STRUT RT BLK | 24.. | 874 780648.... | 8.... | HCS 3/8-16 x 3 |
| 8.. | 581 222902.... | 1.... | MOUNT, STRUT LT BLK | 25.. | 872 141608.... | 4.... | RHSNB 3/8-16 x 1 |
| 9.. | 510 225902.... | 2.... | SUPPORT, FENDER BLK | 26.. | 817 490642.... | 6.... | BOLT 3/8-16 x 25/8 THD FRM |
| 10.. | 510 177503.... | 1.... | FRAME, FRONT RT ORG | 27.. | 819 141614.... | 6.... | WASHER 3/8 STD FLT |
| 11.. | 510 177403.... | 1.... | FRAME, FRONT LT ORG | 28.. | 819 111116.. | 13.... | WASHER 5/16 SAE FLT |
| 12.. | 510 177603.... | 1.... | FRAME, REAR TUBE ORG | 29.. | 819 091016.... | 2.... | WASHER ¼ FLAT SAE ZD |
| 13.. | 539 104411.... | 1.... | KNOB w/ STUD | 30.. | 539 200282.... | 6.... | NUT 3/8-16 HEX JAM NYLOC |
| 14.. | 581 514301.... | 2.... | SWIVEL | 31.. | 539 112899.. | 15.... | NUT 5/16-18 HEX FLG NYLOC |
| 15.. | 521 938101.... | 1.... | LINK, FRONT SUSPENSION | 32.. | 521 996501.... | 8.... | NUT 3/8-16 HEX FLG NYLOC |
| 16.. | 580 486101.... | 6.... | SPACER ½ OD x 1½ | 33.. | 539 119124.... | 2.... | NUT 7/16-14 HEX NYLOC |
| 17.. | 539 102587.... | 6.... | GROMMET, BUMPER | 34.. | 873 800400.... | 2.... | NUT ¼-20 HEX NYLOC |

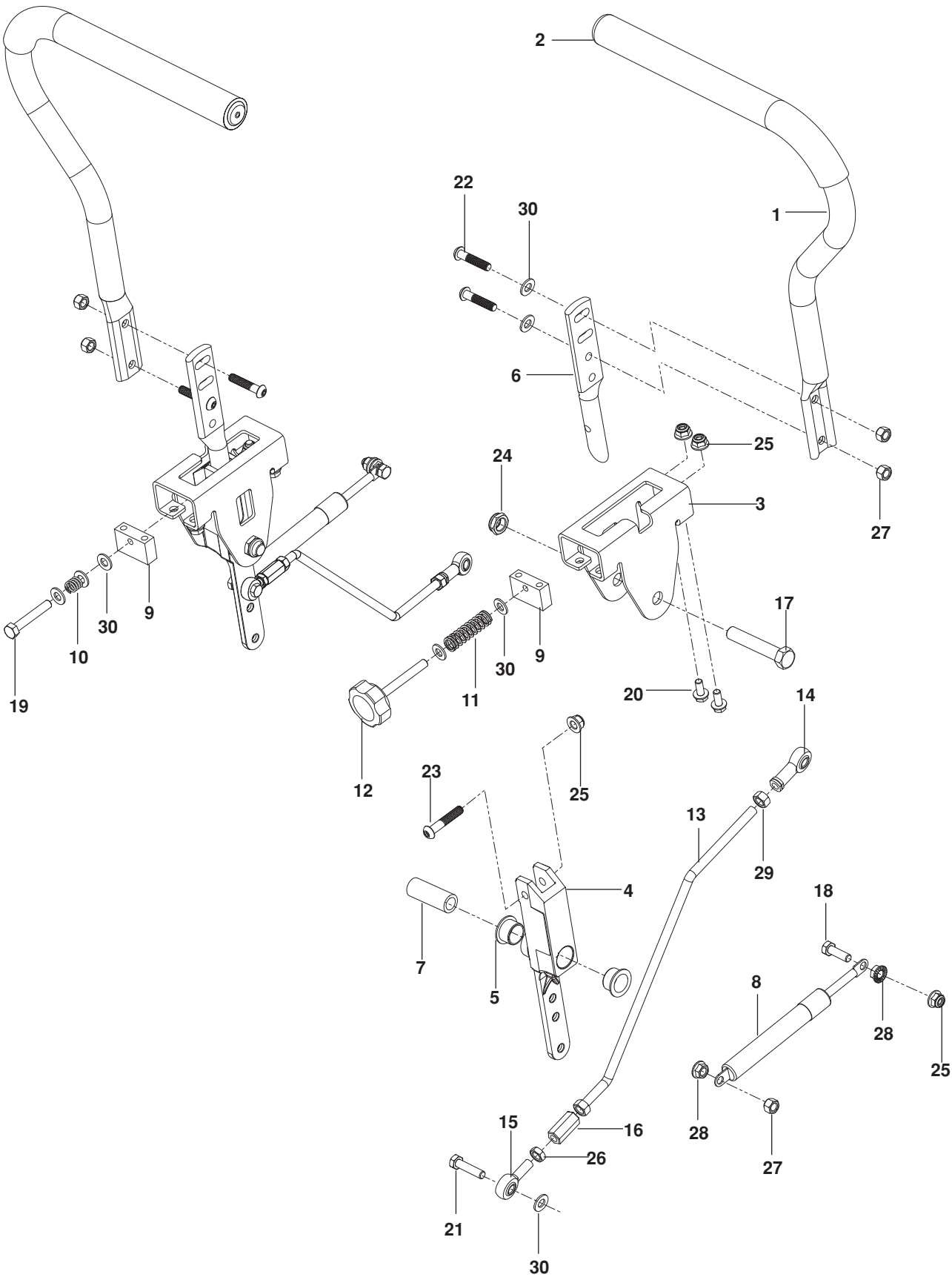
ENGINE PLATE



ENGINE PLATE

| ITEM | PART NO. | QTY. | DESCRIPTION | ITEM | PART NO. | QTY. | DESCRIPTION |
|------|----------------|-------|----------------------|------|----------------|-------|----------------------------|
| 1.. | 532 448161.... | 1.... | PLATE, ENGINE BLK | 20.. | 581 322803.... | 1.... | HCS 7/16-20 x 2 1/2 |
| 2.. | 532 400008.... | 1.... | CLUTCH | 21.. | 874 780852.... | 1.... | HCS 1/2-13 x 3 1/4 |
| 3.. | 581 726501.... | 1.... | TUBE, EXHAUST RT | 22.. | 874 520656.... | 1.... | HCS 3/8-16 x 3 1/2 |
| 4.. | 581 726401.... | 1.... | TUBE, EXHAUST LT | 23.. | 539 976949.... | 4.... | HCS 3/8-16 x 1 3/4 |
| 5.. | 510 260402.... | 1.... | BRACKET, MUFFLER BLK | 24.. | 817 490512.... | 4.... | BOLT 5/16-18 x 3/4 THD FRM |
| 6.. | 539 112092.... | 1.... | ARM, IDLER | 25.. | 539 990362.... | 1.... | SCREW 1/4-20 x 5/8 THD FRM |
| 7.. | 539 101231.... | 1.... | SPINDLE, IDLER | 26.. | 539 990208.... | 2.... | RHSNB 5/16-18 x 1 |
| 8.. | 539 110311.... | 1.... | PULLEY, IDLER | 27.. | 539 990316.... | 2.... | RHSNB 5/16-18 x 3/4 |
| 9.. | 539 114530.... | 1.... | PULLEY, ENGINE | 28.. | 539 976979.... | 2.... | NUT 3/8-16 HEX NYLOC |
| 10.. | 577 094601.... | 1.... | SPACER | 29.. | 539 101331.... | 1.... | NUT 1/2-13 HEX NYLOC |
| 11.. | 584 825501.... | 1.... | HOSE, DRAIN | 30.. | 539 112899.... | 5.... | NUT 5/16-18 HEX FLG NYLOC |
| 12.. | 539 101364.... | 1.... | PLUG, OIL | 31.. | 539 110064.... | 1.... | WASHER, CLUTCH |
| 13.. | 522 599001.... | 1.... | ADAPTER, OIL DRAIN | 32.. | 819 182212.... | 2.... | WASHER 1/2 FLT |
| 14.. | 539 101363.... | 1.... | CLAMP | 33.. | 819 121414.... | 2.... | WASHER 5/16 STD FLT |
| 15.. | 522 442506.... | 1.... | STOP, CLUTCH BLK | 34.. | 539 112670.... | 1.... | WASHER, HEAVY |
| 16.. | 584 989802.... | 1.... | GUARD, MUFFLER BLK | 35.. | 810 030600.... | 4.... | WASHER 3/8 SPLT LK |
| 17.. | 581 726301.... | 1.... | MUFFLER ASSY | | | | NOT SHOWN |
| 18.. | 532 196105.... | 1.... | SPRING, DECK DRIVE | | 532 198316 ... | 1.... | ADAPTER, CLUTCH |
| 19.. | 539 132859.... | 1.... | SHIELD, MUFFLER | | 522 598601 ... | 1.... | PIGTAIL |

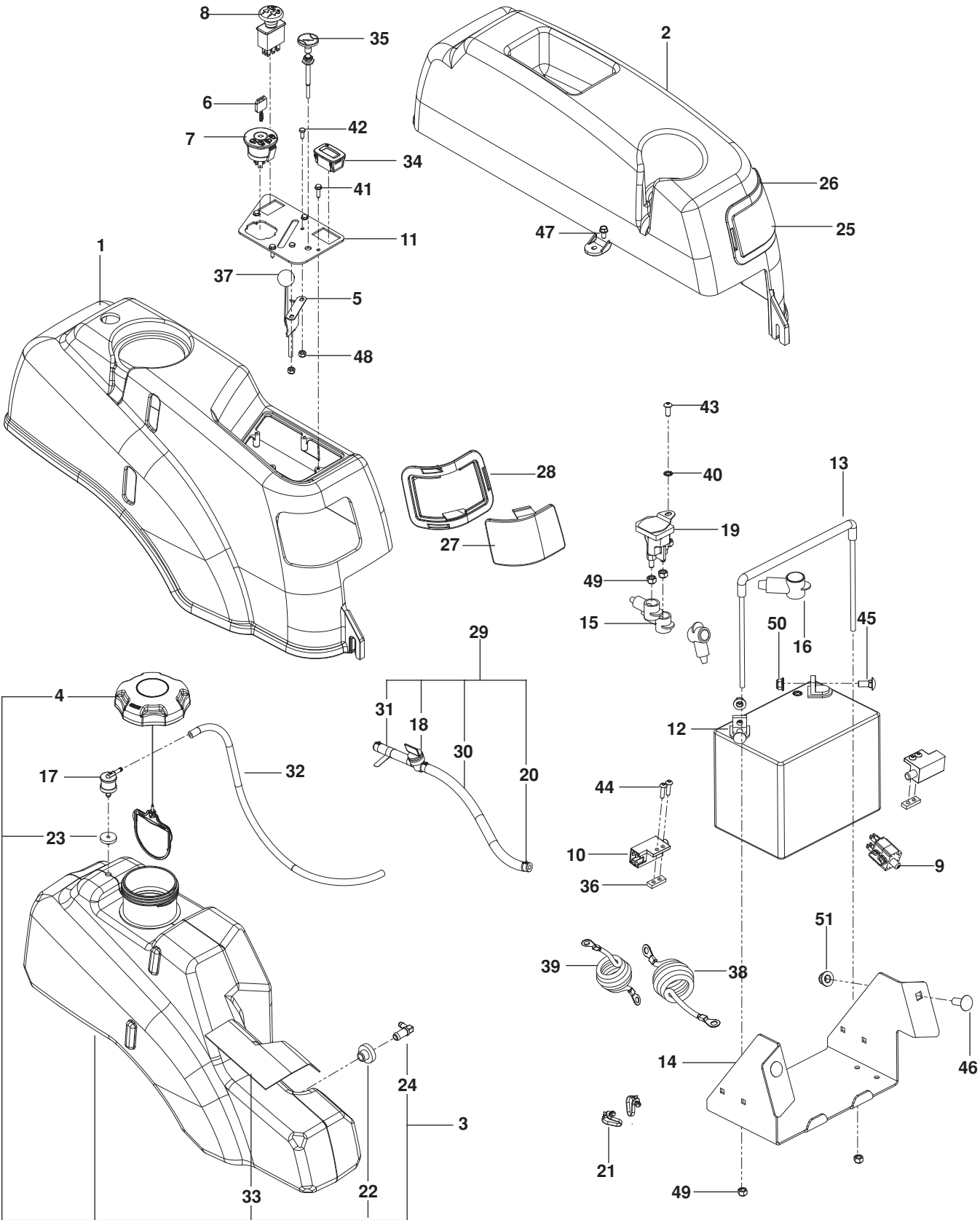
STEERING



STEERING

| ITEM | PART NO. | QTY. | DESCRIPTION | ITEM | PART NO. | QTY. | DESCRIPTION |
|------|----------------|-------|-----------------------|------|----------------|--------|------------------------------|
| 1.. | 581 826701.... | 2.... | LEVER w/ GRIP | 16.. | 539 116689.... | 2.... | COUPLER, ROD END |
| 2.. | 525 392901.... | 2.... | GRIP, FOAM | 17.. | 539 101332.... | 2.... | HCS 1/2-13 x 2 3/4 |
| 3.. | 577 251701.... | 2.... | BRACKET, CONTROL | 18.. | 539 990209.... | 2.... | HCS 5/16-18 x 1 |
| 4.. | 539 131518.... | 4.... | BEARING, FLANGE | 19.. | 539 976935.... | 1.... | HCS 5/16-18 x 1 1/2 |
| 5.. | 576 140301.... | 2.... | LEVER, CONTROL | 20.. | 525 464701.... | 8.... | HHFS 5/16-18 X 3/4 |
| 6.. | 577 420001.... | 2.... | LEVER, HANDLE | 21.. | 539 990669.... | 2.... | HCS 5/16-18 x 1 3/4 TPBLT |
| 7.. | 577 252401.... | 2.... | SPACER, PIVOT CONTROL | 22.. | 578 296402.... | 4.... | SCREW 5/16-18 X 1 1/2 BTN HD |
| 8.. | 539 102720.... | 2.... | DAMPENER | 23.. | 576 850402.... | 2.... | SCREW 5/16-18 X 1 3/4 BTN HD |
| 9.. | 577 251801 ... | 2.... | BLOCK, TRACKING | 24.. | 539 108010.... | 2.... | NUT 1/2-13 HEX JAM NYL GR2 |
| 10.. | 539 102845.... | 1.... | SPRING | 25.. | 539 112899.. | 10.... | NUT 5/16-18 HEX FLG NYLOC |
| 11.. | 576 850301.... | 1.... | SPRING | 26.. | 539 991073.... | 2.... | NUT 5/16-24 HEX JAM LH |
| 12.. | 539 131799.... | 1.... | KNOB | 27.. | 539 990717.... | 6.... | NUT 5/16-18 HEX NYLOC |
| 13.. | 580 624201.... | 2.... | ROD, MOTION CONTROL | 28.. | 539 990585.... | 4.... | NUT 5/16-18 HEX WHIZLK |
| 14.. | 539 115729.... | 2.... | ROD END RH | 29.. | 539 990223.... | 4.... | NUT 5/16-24 HEX |
| 15.. | 539 116690.... | 2.... | ROD END MALE LH | 30.. | 539 990188.... | 4.... | WASHER 5/16 SAE FLT |

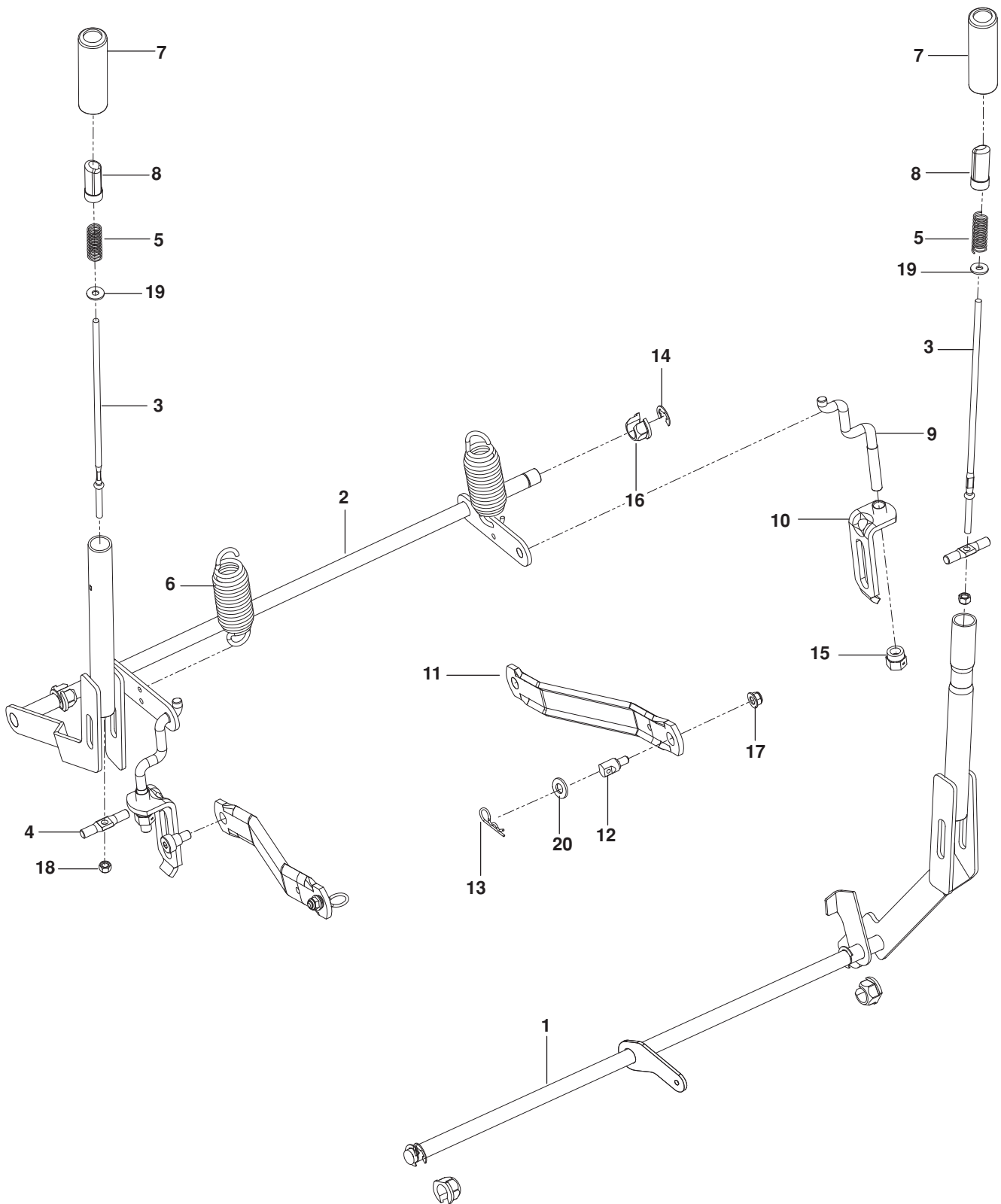
IGNITION



IGNITION

| ITEM | PART NO. | QTY. | DESCRIPTION | ITEM | PART NO. | QTY. | DESCRIPTION |
|------|----------------|-------|----------------------|----------------|----------------|-----------------|----------------------------|
| 1.. | 578 178901.... | 1.... | FENDER, RT GRY | 29.. | 576 660702.... | 1.... | FUEL LINE ASSY |
| 2.. | 539 130374.... | 1.... | FENDER, LT GRY | 30.. | 539 932956.... | 1.... | FUEL LINE 10" |
| 3.. | 578 180601.... | 1.... | TANK ASSY, FUEL | 31.. | 539 104993.... | 1.... | FUEL LINE 14" |
| 4.. | 575 018101.... | 1.... | CAP, FUEL w/ TETHER | 32.. | 576 660602.... | 1.... | HOSE 3/16" VAPOR 48" |
| 5.. | 539 112734.... | 1.... | CABLE, THROTTLE | 33.. | 522 559101.... | 1.... | SHIELD, HEAT |
| 6.. | 532 140401.... | 1.... | KEY, IGNITION | 34.. | 532 401763.... | 1.... | HOUR METER |
| 7.. | 539 107541.... | 1.... | SWITCH, IGNITION | 35.. | 539 112439.... | 1.... | CONTROL, CHOKE |
| 8.. | 532 174652.... | 1.... | SWITCH, CLUTCH | 36.. | 539 102678.... | 2.... | PLATE, TAPPED |
| 9.. | 539 113792.... | 1.... | SWITCH, BRAKE | 37.. | 539 133049.... | 1.... | KNOB |
| 10.. | 532 109553.... | 2.... | SWITCH, NC | 38.. | 539 103306.... | 1.... | CABLE, POSITIVE RED |
| 11.. | 539 112735.... | 1.... | PANEL, CONTROL | 39.. | 539 110068.... | 1.... | CABLE, NEGATIVE BLK |
| 12.. | 539 102436.... | 1.... | BATTERY | 40.. | 539 990053.... | 1.... | WASHER 1/4 ITLW |
| 13.. | 539 131209.... | 1.... | TIE DOWN, BATTERY | 41.. | 539 110673.... | 2.... | SCREW 10-24 x 3/4 WSH HD |
| 14.. | 510 231302.... | 1.... | BOX, BATTERY BLK | 42.. | 539 990411.... | 2.... | SCREW 10-24 x 1/2 HEX HD |
| 15.. | 539 116400.... | 3.... | TERMINAL COVER | 43.. | 539 111229.... | 1.... | SCREW 1/4-20 x 5/8 BTN SKT |
| 16.. | 539 102759.... | 1.... | INSULATOR | 44.. | 574 822701.... | 4.... | SCREW 10-24 x 3/4 SKT HD |
| 17.. | 576 618101.... | 1.... | VALVE, FUEL CHECK | 45.. | 539 990316.... | 2.... | RHSNB 5/16-18 x 3/4 |
| 18.. | 539 916325.... | 1.... | VALVE, FUEL | 46.. | 539 990645.... | 2.... | RHSNB 3/8-16 x 1 |
| 19.. | 532 192507.... | 1.... | SOLENOID | 47.. | 539 108461.... | 2.... | BOLT 1/4-20 x 1/2 |
| 20.. | 539 912222.... | 4.... | CLAMP, HOSE | 48.. | 539 976977.... | 2.... | NUT 10-24 HEX NYLOC |
| 21.. | 505 280001.... | 4.... | TIE w/ CLIP | 49.. | 539 976978.... | 6.... | NUT 1/4-20 HEX NYLOC |
| 22.. | 539 105245.... | 1.... | GROMMET, RUBBER | 50.. | 539 112899.... | 2.... | NUT 5/16-18 FLANGE NYLOC |
| 23.. | 576 618201.... | 1.... | GROMMET, CHECK VALVE | 51.. | 521 996501.... | 2.... | NUT 3/8-16 HEX FLG NYLOC |
| 24.. | 539 110432.... | 1.... | ELBOW | NOT SHOWN | | | |
| 25.. | 539 110056.... | 1.... | LENS, LT | 581 091901 ... | 1.... | HARNESS, WIRING | |
| 26.. | 539 110455.... | 1.... | RIM, LT | | | | |
| 27.. | 539 110057.... | 1.... | LENS, RT | | | | |
| 28.. | 539 110451.... | 1.... | RIM, RT | | | | |

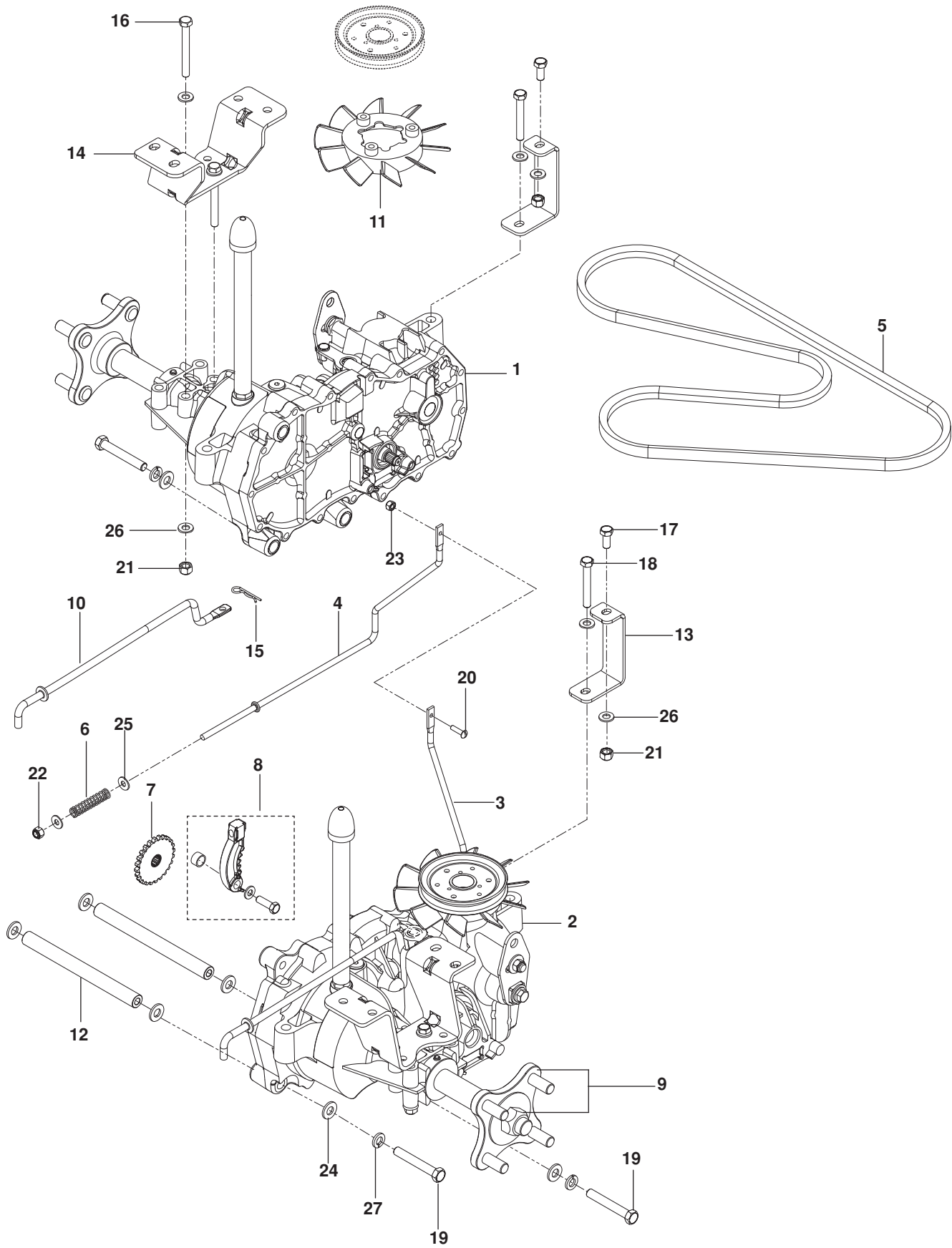
BRAKE / LIFT



BRAKE / LIFT

| ITEM | PART NO. | QTY. | DESCRIPTION | ITEM | PART NO. | QTY. | DESCRIPTION |
|------|----------------|-------|------------------------|------|----------------|-------|--|
| 1.. | 580 435801.... | 1.... | SHAFT, BRAKE | 11.. | 532 195185.... | 2.... | ARM, SUSPENSION RR |
| 2.. | 532 448208.... | 1.... | SHAFT, LIFT | 12.. | 532 195161.... | 2.... | STUD w/ANTI- ROTATE |
| 3.. | 510 422901.... | 2.... | ROD, HANDLE RELEASE | 13.. | 539 976989.... | 2.... | HAIRPIN |
| 4.. | 516 008801.... | 1.... | ROD, LATCH RELEASE | 14.. | 539 105069.... | 3.... | E-RING |
| 5.. | 510 030701.... | 2.... | SPRING, COMPRESSION | 15.. | 532 175994.... | 2.... | NUT, LIFT LINK |
| 6.. | 539 118762.... | 2.... | SPRING | 16.. | 510 184901.... | 4.... | NUT, PLASTIC |
| 7.. | 510 207201.... | 2.... | GRIP, HANDLE | 17.. | 539 112899.... | 2.... | NUT ⁵ / ₁₆ -18 HEX FLG NYLOC |
| 8.. | 510 207301.... | 2.... | BUTTON, PUSH | 18.. | 539 976978.... | 2.... | NUT ¹ / ₄ -20 HEX NYLOC |
| 9.. | 525 847201.... | 2.... | LINK, REAR SUSPENSION | 19.. | 539 990598.... | 1.... | WASHER ¹ / ₄ FLT |
| 10.. | 522 858601.... | 2.... | BRACKET, CENTERING LNK | 20.. | 539 976982.... | 2.... | WASHER ⁵ / ₈ SAE FLT |

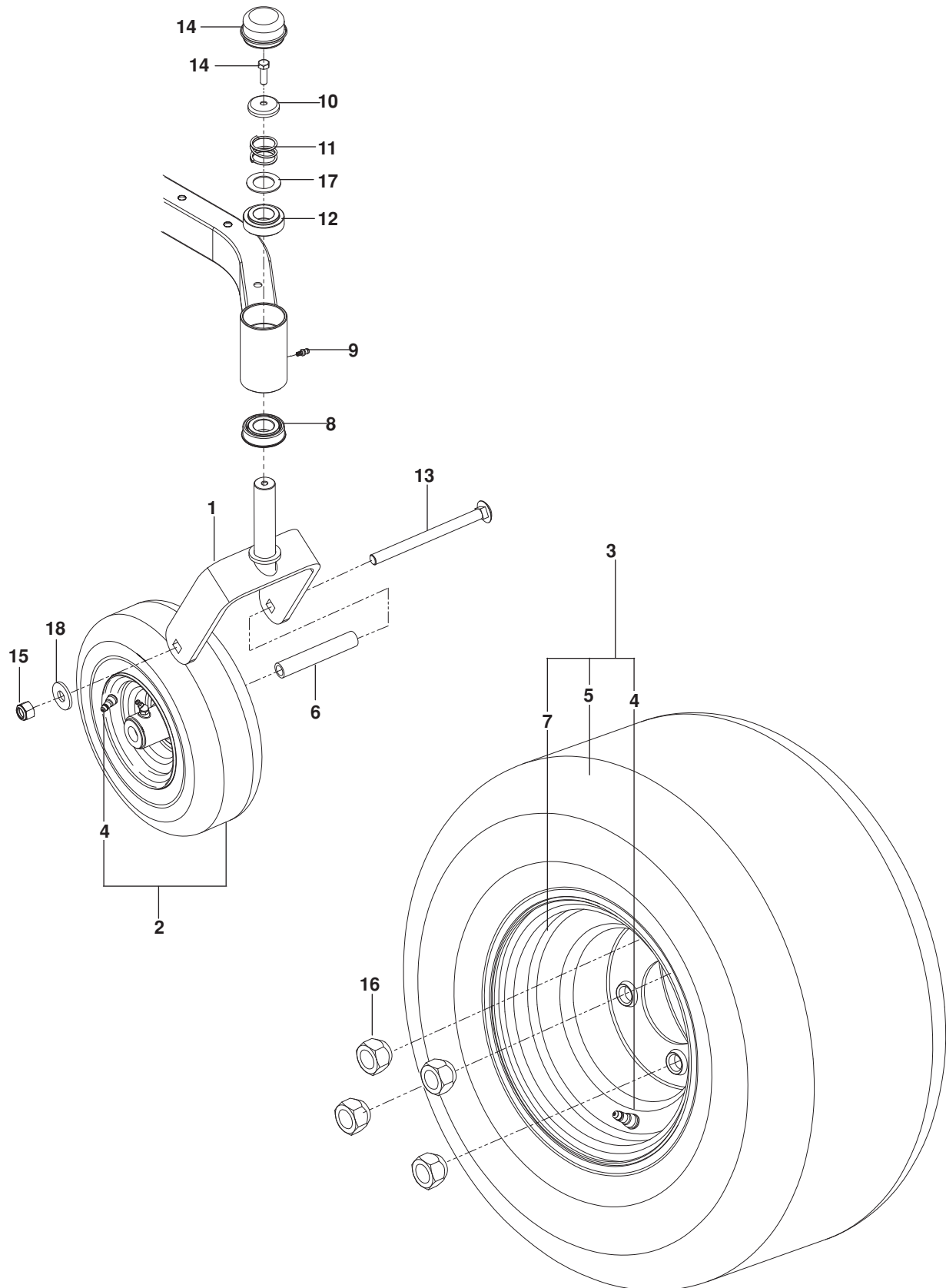
HYDRAULIC PUMP - MOTOR



HYDRAULIC PUMP-MOTOR

| ITEM | PART NO. | QTY. | DESCRIPTION | ITEM | PART NO. | QTY. | DESCRIPTION |
|------|----------------|-------|-----------------------|------|----------------|--------|---------------------------------|
| 1.. | 510 375601.... | 1.... | EZT, LT | 15.. | 539 976988.... | 1.... | HAIRPIN |
| 2.. | 510 375602.... | 1.... | EZT, RT | 16.. | 874 780544.... | 4.... | HCS $5/16$ -18 x $2\frac{3}{4}$ |
| 3.. | 574 030501.... | 1.... | ROD, EZT BRAKE LT | 17.. | 874 780512.... | 2.... | HCS $5/16$ -18 x $3/4$ |
| 4.. | 574 030502.... | 1.... | ROD, EZT BRAKE RT | 18.. | 874 780536.... | 2.... | HCS $5/16$ -18 x $2\frac{1}{4}$ |
| 5.. | 539 110411.... | 1.... | BELT, EZT | 19.. | 874 780640.... | 4.... | HCS $3/8$ -16 x $2\frac{1}{2}$ |
| 6.. | 539 110342.... | 2.... | SPRING, BRAKE ROD | 20.. | 874 811012.... | 1.... | SCREW 10-24 x $3/4$ SLTD RD |
| 7.. | 539 120080.... | 2.... | COG, BRAKE DISC | 21.. | 873 800500.... | 8.... | NUT $5/16$ -18 HEX NYLOC |
| 8.. | 539 120079.... | 2.... | BRAKE ARM KIT | 22.. | 873 800400.... | 2.... | NUT $1/4$ -20 HEX NYLOC |
| 9.. | 575 507001.... | 1.... | HUB KIT w/ HUBS, NUTS | 23.. | 539 976977.... | 1.... | NUT 10-24 HEX NYLOC |
| 10.. | 522 941101.... | 2.... | LINK ARM, BYPASS | 24.. | 819 131316.... | 8.... | WASHER $3/8$ SAE FLT |
| 11.. | 539 120785.... | 2.... | BLADE, FAN | 25.. | 819 091016.... | 4.... | WASHER $1/4$ SAE FLT |
| 12.. | 510 184104.... | 2.... | SPACER TUBE | 26.. | 819 111116.. | 14.... | WASHER $5/16$ SAE FLT |
| 13.. | 580 806502.... | 2.... | SUPPORT, EZT FRT | 27.. | 810 030600.... | 4.... | WASHER $3/8$ SPLT LCK |
| 14.. | 580 806602.... | 2.... | MOUNT, EZT RR BLK | | | | |

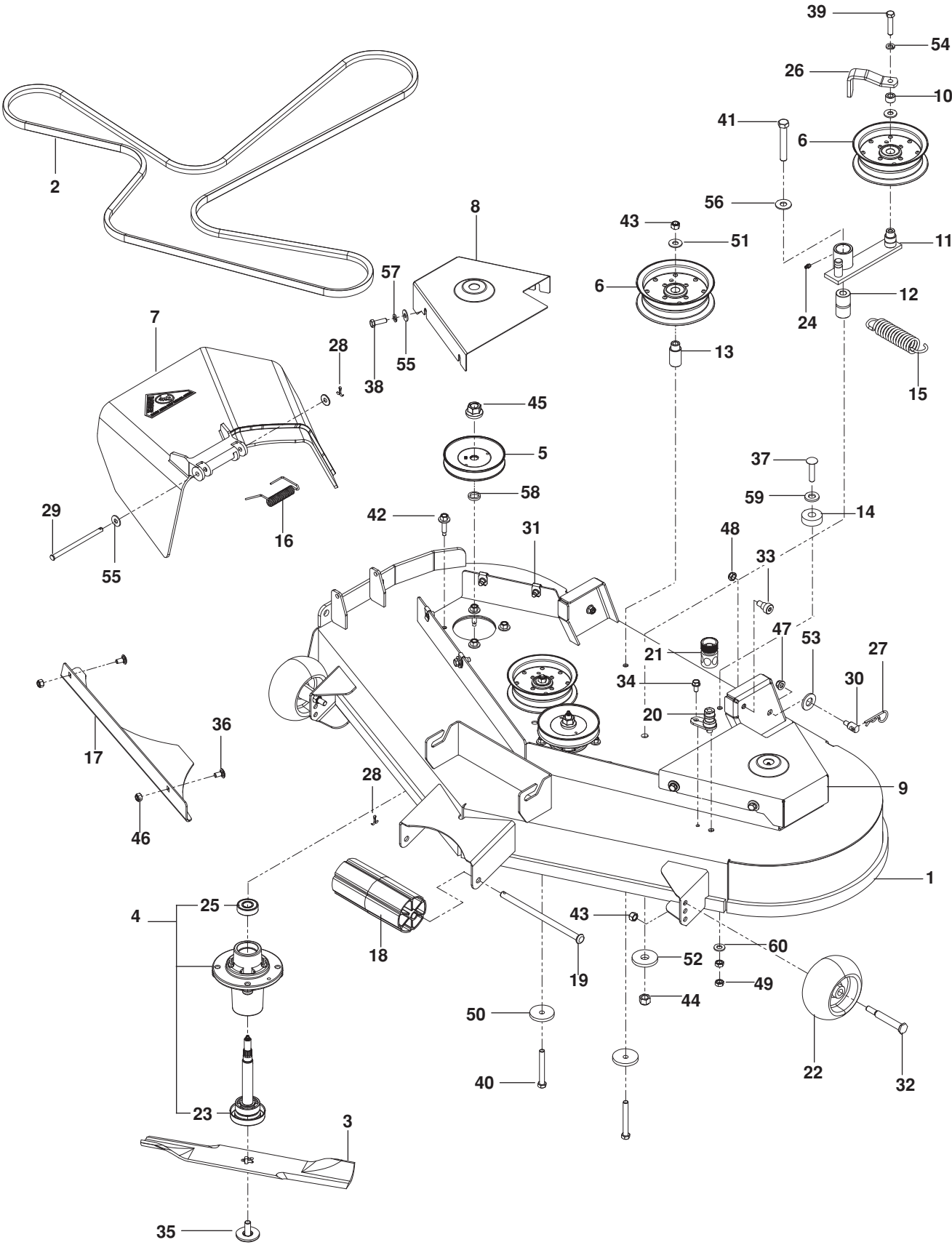
WHEELS AND TIRES



WHEELS AND TIRES

| ITEM | PART NO. | QTY. | DESCRIPTION | ITEM | PART NO. | QTY. | DESCRIPTION |
|------|----------------|-------|---------------------------|------|----------------|-------|-----------------------|
| 1.. | 576 588802.... | 2.... | YOKE, ORG | 10.. | 539 115749.... | 2.... | PLUG, CASTER |
| 2.. | 576 588602.... | 2.... | CASTER TIRE ASSY | 11.. | 539 115747.... | 2.... | SPRING, CASTER |
| 3.. | 579 753401.... | 2.... | WHEEL ASSY, REAR 18 x 9.5 | 12.. | 539 117901.... | 2.... | BUSHING, CASTER |
| 4.. | 539 912234.... | 4.... | VALVE STEM | 13.. | 576 601501.... | 2.... | RHSNB 1/2-13 x 7 1/2 |
| 5.. | 539 130822.... | 2.... | TIRE 18 x 9.5 TURF | 14.. | 539 115566.... | 2.... | HHB w/ NY 5/16-18 x 1 |
| 6.. | 576 588901.... | 2.... | SPACER | 15.. | 539 200100.... | 2.... | NUT 1/2 HEX CNTRLK |
| 7.. | 539 112217.... | 2.... | RIM 8 x 7 w/ .8" OFFSET | 16.. | 539 101173.... | 8.... | NUT 1/2 LUG |
| 8.. | 539 112660.... | 2.... | BEARING, FLANGED | 17.. | 539 115675.... | 2.... | WASHER |
| 9.. | 539 115638.... | 2.... | ZERK 3/16 DRIVE | 18.. | 539 109554.... | 2.... | WASHER 1/2 FLT |

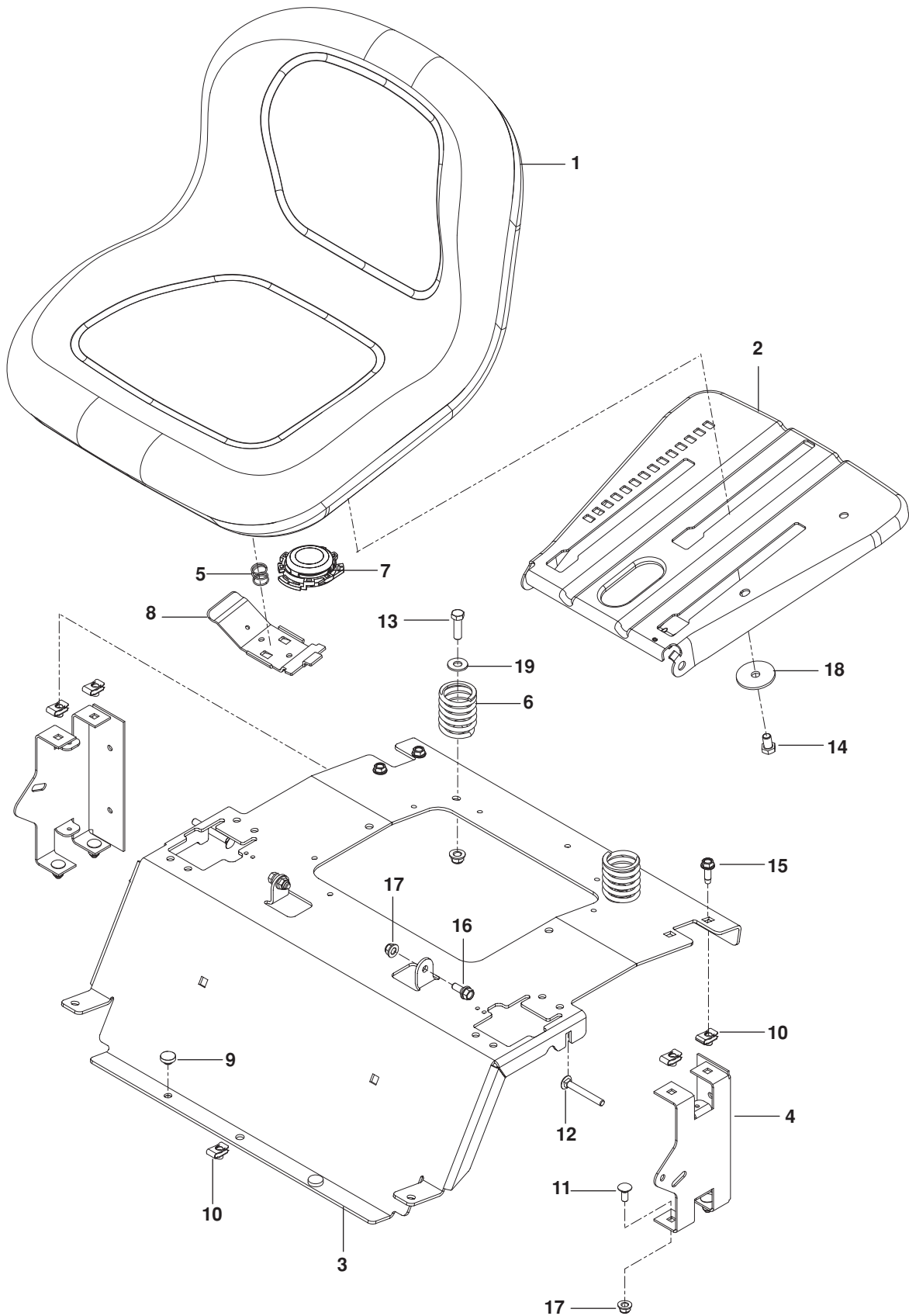
MOWER DECK / CUTTING DECK



MOWER DECK / CUTTING DECK

| ITEM | PART NO. | QTY. | DESCRIPTION | ITEM | PART NO. | QTY. | DESCRIPTION |
|------|----------------|-------|---|------|----------------|--------|--|
| 1.. | 522 534805.... | 1.... | DECK, w/ SAFETY DECALS | 31.. | 539 104763.... | 8.... | RETAINER, U TYPE |
| 2.. | 539 109243.... | 1.... | BELT, DECK | 32.. | 532 193406.... | 2.... | BOLT $\frac{3}{8}$ -16 x $3\frac{5}{8}$ SHOULDER |
| 3.. | 539 113425.... | 3.... | BLADE | 33.. | 539 113621.... | 2.... | BOLT $\frac{3}{8}$ -16 x $1\frac{1}{4}$ SHOULDER |
| 4.. | 539 112170.... | 3.... | HOUSING ASSY | 34.. | 817 490408.... | 1.... | BOLT $\frac{1}{4}$ -20 x $\frac{1}{2}$ HWST |
| 5.. | 532 112171.... | 3.... | PULLEY, MANDREL | 35.. | 532 193003.... | 3.... | BOLT $\frac{7}{16}$ BLADE |
| 6.. | 539 132728.... | 3.... | PULLEY, IDLER | 36.. | 872110505.... | 2.... | RHSNB $\frac{5}{16}$ -18 x $\frac{5}{8}$ |
| 7.. | 539 110732.... | 1.... | CHUTE, DISCHARGE | 37.. | 539 990923.... | 1.... | RHSNB $\frac{3}{8}$ -16 x $1\frac{3}{4}$ |
| 8.. | 539 113411.... | 1.... | BELT SHIELD, RT ORG | 38.. | 874 780516.... | 8.... | HCS $\frac{5}{16}$ -18 x 1 |
| 9.. | 539 113413.... | 1.... | BELT SHIELD, LT ORG | 39.. | 539 990730.... | 1.... | HCS $\frac{3}{8}$ -16 x $1\frac{3}{4}$ |
| 10.. | 539 923515.... | 1.... | SPACER | 40.. | 874 780648.... | 2.... | HCS $\frac{3}{8}$ -16 x 3 |
| 11.. | 539 112198.... | 1.... | ARM, IDLER | 41.. | 874 780852.... | 1.... | HCS $\frac{1}{2}$ -13 x $3\frac{1}{4}$ |
| 12.. | 539 103427.... | 1.... | BUSHING, PIVOT | 42.. | 532 173984.. | 12.... | SCREW $\frac{5}{16}$ -18 x WSH HD |
| 13.. | 539 112169.... | 2.... | BUSHING, IDLER | 43.. | 873 800600.... | 4.... | NUT $\frac{3}{8}$ -16 HEX NYLOC |
| 14.. | 539 116378.... | 1.... | BUSHING, ISO MOUNT | 44.. | 873 800800.... | 1.... | NUT $\frac{1}{2}$ HEX NYLOC |
| 15.. | 539 103256.... | 1.... | SPRING | 45.. | 532 400234.... | 3.... | NUT $\frac{9}{16}$ TOP CNTRLK |
| 16.. | 539 110735.... | 1.... | SPRING, TORSION | 46.. | 873 800500.... | 2.... | NUT $\frac{5}{16}$ -18 HEX NYLOC |
| 17.. | 539 113427.... | 1.... | PLATE, CONFINEMENT BLK | 47.. | 539 112899.... | 2.... | NUT $\frac{5}{16}$ -18 HEX FLG NYLOC |
| 18.. | 532 176066.... | 1.... | ROLLER, NOSE | 48.. | 539 200282.... | 2.... | NUT $\frac{3}{8}$ -16 HEX JAM NYLOC |
| 19.. | 532 179127.... | 1.... | ROD, ROLLER NOSE | 49.. | 539 109332.... | 2.... | NUT $\frac{3}{8}$ -16 HEX JAM |
| 20.. | 532 415598.... | 1.... | WASHOUT PORT | 50.. | 539 106504.... | 2.... | WASHER, HEAVY |
| 21.. | 532 416405.... | 1.... | COUPLING, CONNECT | 51.. | 819 141614.... | 3.... | WASHER $\frac{3}{8}$ STD FLT |
| 22.. | 532 133957.... | 2.... | WHEEL, GAUGE | 52.. | 539 102243.... | 1.... | WASHER, SUPPORT |
| 23.. | 532 187291.... | 3.... | SHAFT | 53.. | 819 212113.... | 2.... | WASHER $\frac{5}{8}$ SAE FLT |
| 24.. | 539 976998.... | 1.... | ZERK | 54.. | 810 030600.... | 1.... | WASHER $\frac{3}{8}$ SPLT LCK |
| 25.. | 532 110485.... | 3.... | BEARING, BALL | 55.. | 819 121414.. | 10.... | WASHER $\frac{5}{16}$ STD FLT |
| 26.. | 539 114981.... | 1.... | GUIDE, BELT | 56.. | 819 182214.... | 1.... | WASHER $\frac{1}{2}$ STD FLT |
| 27.. | 539 976989.... | 2.... | HAIRPIN | 57.. | 810 030500.... | 8.... | WASHER $\frac{5}{16}$ SLW |
| 28.. | 876 020412.... | 2.... | PIN, COTTER $\frac{1}{8}$ x $\frac{3}{4}$ | 58.. | 532 187690.... | 3.... | WASHER, SPACER |
| 29.. | 539 110736.... | 1.... | PIN, CLEVIS $\frac{5}{16}$ | 59.. | 819 171713.... | 1.... | WASHER, SAE FLT |
| 30.. | 532 195161.... | 2.... | STUD w/ ANTI-ROTATE | 60.. | 819 131316.... | 1.... | WASHER $\frac{3}{8}$ SAE FLT |

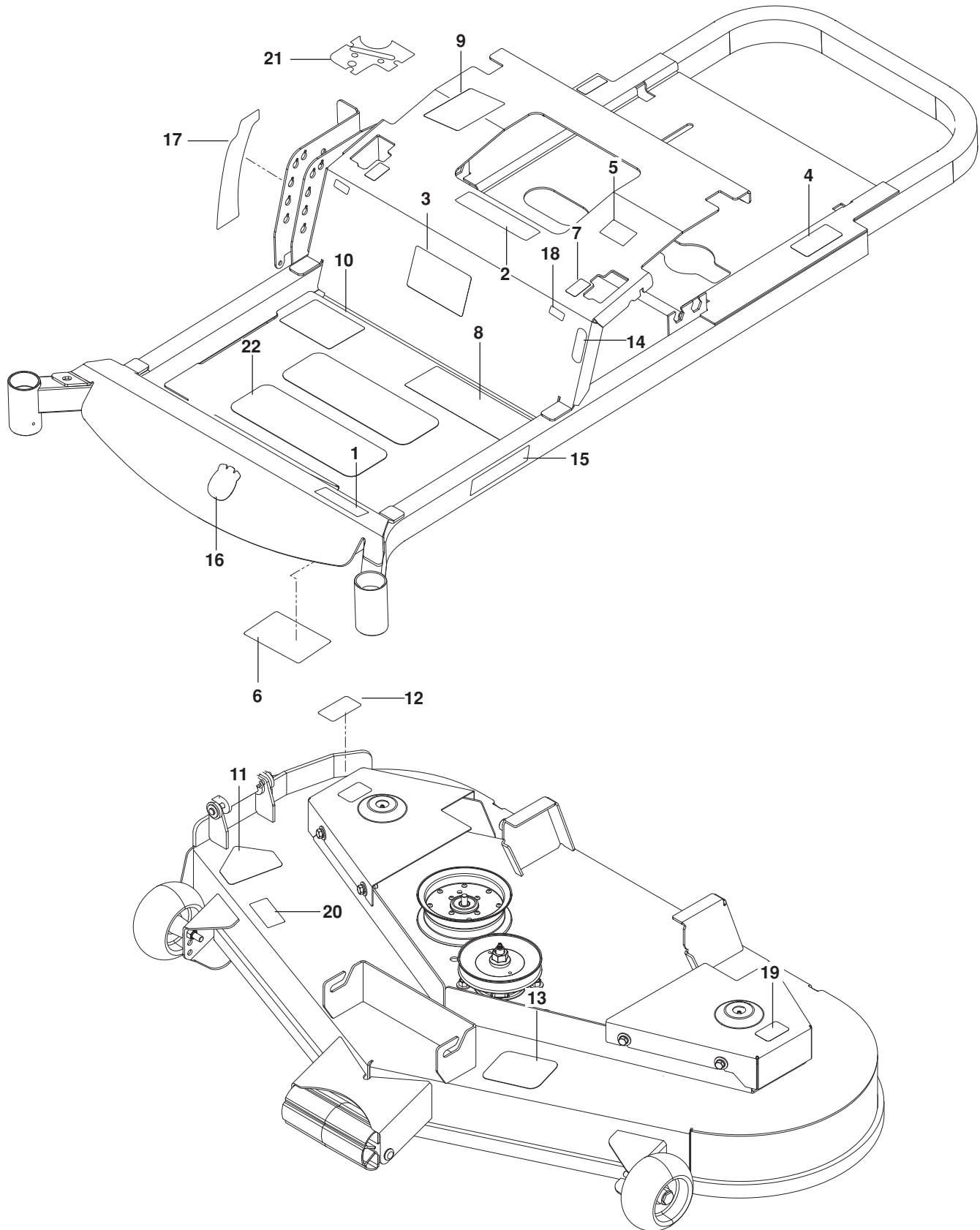
SEAT



SEAT

| ITEM | PART NO. | QTY. | DESCRIPTION | ITEM | PART NO. | QTY. | DESCRIPTION |
|------|----------------|-------|----------------------|------|----------------|-------|---|
| 1.. | 532 439822.... | 1.... | SEAT | 11.. | 539 990316.... | 4.... | RHSNB $\frac{5}{16}$ -18 x $\frac{3}{4}$ |
| 2.. | 532 196977.... | 1.... | PAN, SEAT | 12.. | 510 422701.... | 2.... | RHSNB $\frac{5}{16}$ -18 x $2\frac{1}{2}$ |
| 3.. | 577 260503 ... | 1.... | SUPPORT, SEAT ORG | 13.. | 539 976941.... | 2.... | HCS $\frac{3}{8}$ -16 x $1\frac{1}{4}$ |
| 4.. | 580 308202.... | 2.... | SUPPORT, SEAT RR BLK | 14.. | 539 108503.... | 1.... | HCS $\frac{3}{8}$ -16 x $\frac{5}{8}$ |
| 5.. | 532 198200.... | 1.... | SPRING, LATCH | 15.. | 539 107475.... | 4.... | BOLT $\frac{5}{16}$ -18 x $\frac{3}{4}$ THD FRM |
| 6.. | 532 124181.... | 2.... | SPRING, SEAT | 16.. | 539 110303.... | 2.... | BOLT $\frac{5}{16}$ -18 SHOULDER |
| 7.. | 539 132140.... | 1.... | SWITCH, SEAT | 17.. | 539 112899.... | 4.... | NUT $\frac{5}{16}$ -18 HEX FLG NYLOC |
| 8.. | 532 197661.... | 1.... | HANDLE, SLIDE | 18.. | 539 111897.... | 1.... | WASHER $\frac{3}{8}$ SPECIAL |
| 9.. | 539 102587.... | 2.... | GROMMET, BUMPER | 19.. | 539 990517.... | 2.... | WASHER $\frac{3}{8}$ STD FLT |
| 10.. | 539 104763.... | 5.... | RETAINER, U TYPE | | | | |

DECALS

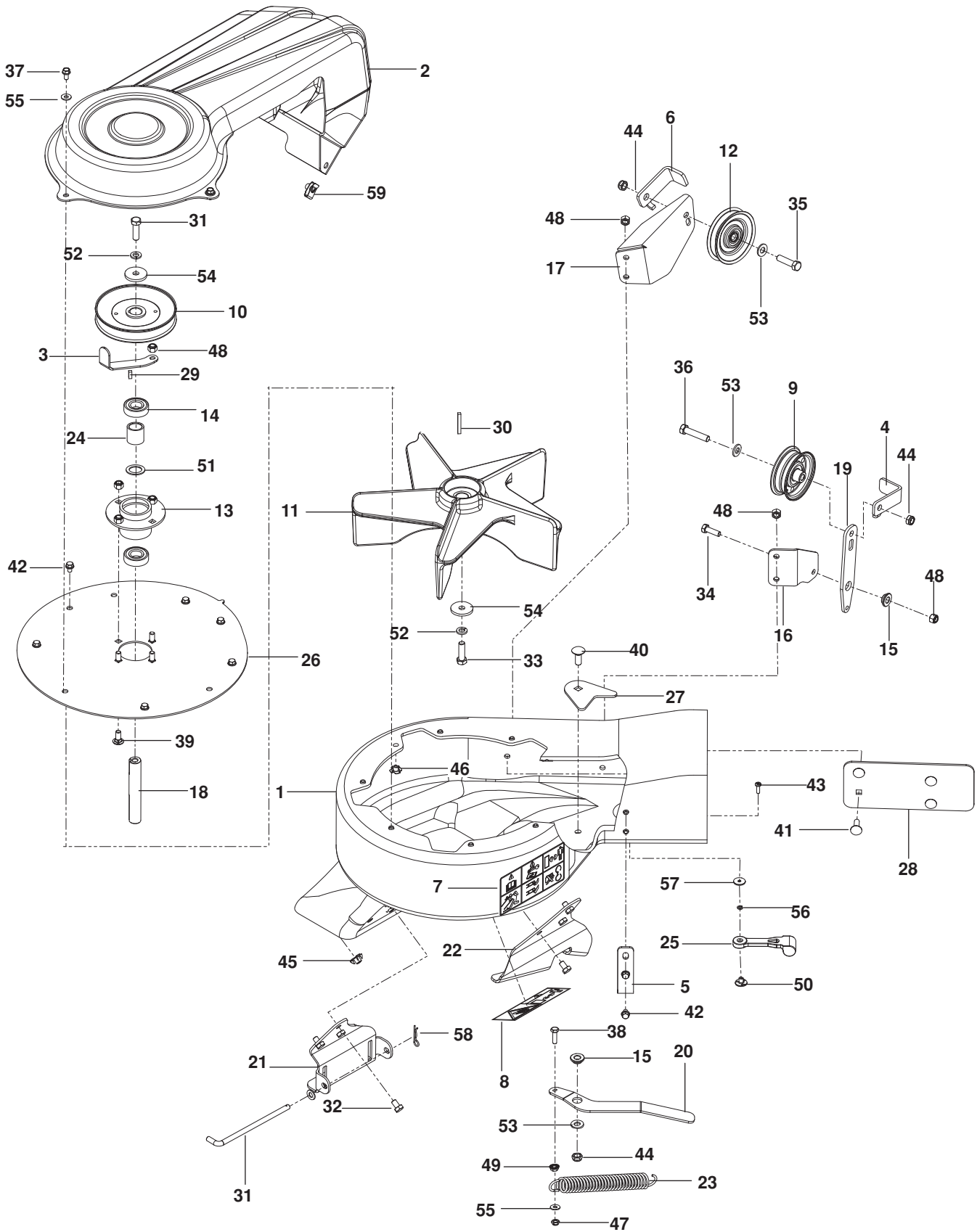


DECALS

| ITEM | PART NO. | QTY. | DESCRIPTION | ITEM | PART NO. | QTY. | DESCRIPTION |
|------|----------------|-------|------------------------|------|----------------|-------|---------------------|
| 1.. | 521 949323.... | 1.... | DECAL, RZ4824F | 12.. | 539 113224.... | 1.... | DECAL, DEFLECTOR |
| 2.. | 539 105745.... | 1.... | DECAL, BATTERY WARNING | 13.. | 539 112620.... | 1.... | DECAL, BELT ROUTING |
| 3.. | 539 108179.... | 1.... | DECAL, START | 14.. | 539 120006.... | 1.... | DECAL, PARK BRAKE |
| 4.. | 539 108385.... | 1.... | DECAL, DO NOT TOW | 15.. | 532 429196.... | 2.... | DECAL, HUSQVARNA |
| 5.. | 539 108386.... | 1.... | DECAL, EXIT MOWER | 16.. | 532 428676.... | 2.... | DECAL, CROWN H |
| 6.. | 539 109897.... | 1.... | DECAL, SERVICE | 17.. | 576 979101.... | 1.... | DECAL, HEIGHT |
| 7.. | 539 103333.... | 2.... | DECAL, MOTION CONTROL | 18.. | 539 110974.... | 2.... | DECAL, TRACKING |
| 8.. | 539 109908.... | 1.... | DECAL, SAFETY WARNINGS | 19.. | 539 105743.... | 2.... | DECAL, NO STEP |
| 9.. | 539 110522.... | 1.... | DECAL, RESPONSIBILITY | 20.. | 539 105746.... | 1.... | SEVERING |
| 10.. | 539 113213.... | 1.... | DECAL, WARNINGS | 21.. | 576 916702.... | 1.... | DECAL, CONSOLE |
| 11.. | 539 913010.... | 1.... | DECAL, BLADE DANGER | 22.. | 539 977778.... | 3.... | ABRASIVE PAD |

ACCESSORIES

BLOWER

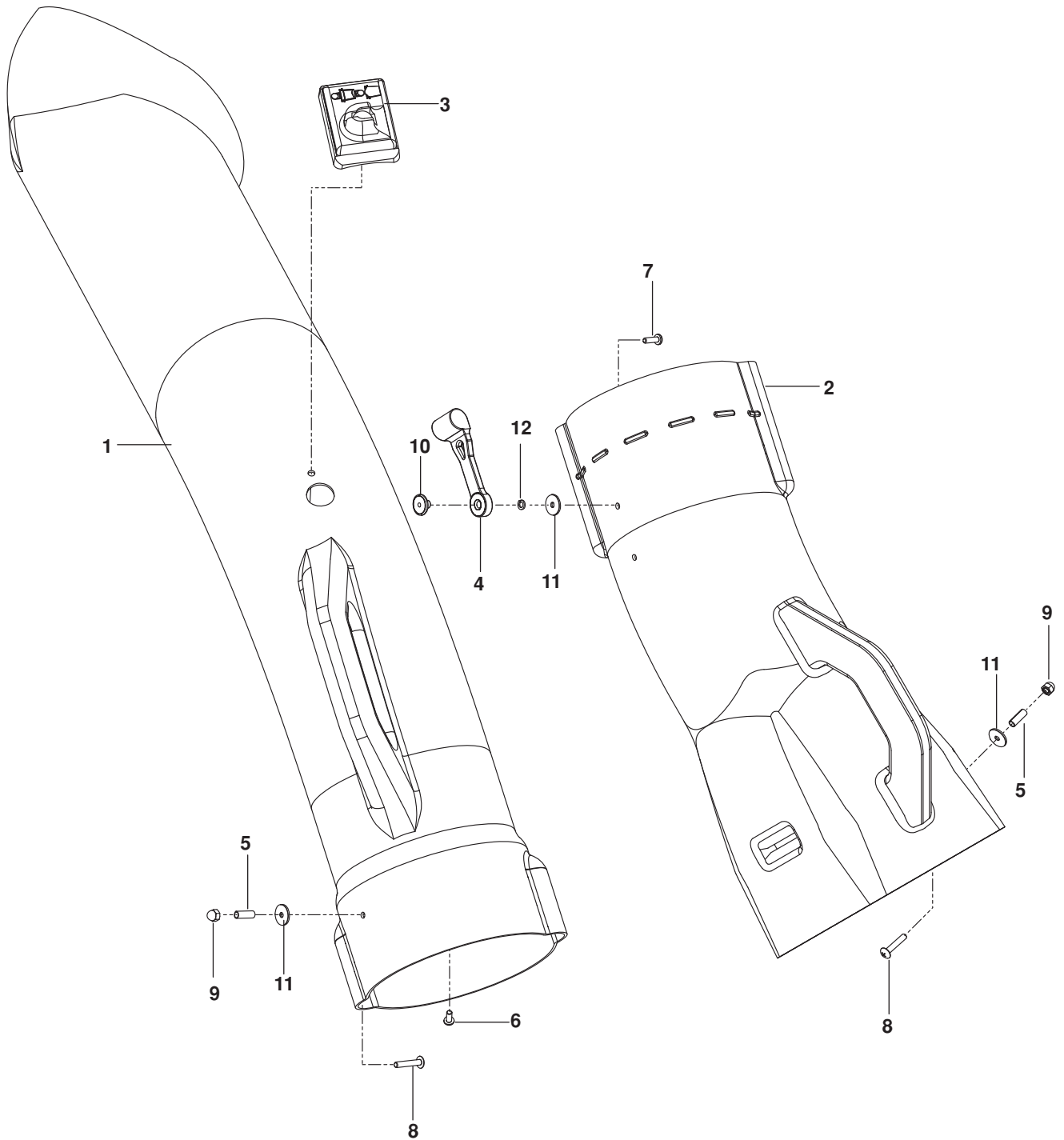


ACCESSORIES

| ITEM | PART NO. | QTY. | DESCRIPTION | ITEM | PART NO. | QTY. | DESCRIPTION |
|------|----------------|-------|-------------------------------------|------|----------------|--------|---|
| 1.. | 539 130344.... | 1.... | HOUSING w/DECALS | 31.. | 539 130317.... | 1.... | PIN |
| 2.. | 539 130293.... | 1.... | COVER, BELT | 32.. | 539 130315.... | 6.... | HCS $\frac{5}{16}$ -18 x $\frac{1}{2}$ |
| 3.. | 539 131085.... | 1.... | KEEPER, BELT OUTER | 33.. | 539 110321.... | 2.... | HCS $\frac{3}{8}$ -24 x $1\frac{1}{4}$ GR 8 |
| 4.. | 579 137602.... | 2.... | KEEPER, BELT REAR | 34.. | 539 990209.... | 1.... | HCS $\frac{5}{16}$ -18 x 1 |
| 5.. | 539 130346.... | 1.... | KEEPER | 35.. | 539 990655.... | 1.... | HCS $\frac{3}{8}$ -16 x $1\frac{1}{2}$ |
| 6.. | 579 137702.... | 1.... | KEEPER | 36.. | 539 976949.... | 1.... | HCS $\frac{3}{8}$ -16 x $1\frac{3}{4}$ |
| 7.. | 539 105785.... | 1.... | DECAL, WARNING | 37.. | 539 108461.... | 3.... | HCS $\frac{1}{4}$ -20 x $\frac{1}{2}$ |
| 8.. | 539 106741.... | 1.... | DECAL, SEVERING | 38.. | 539 990643.... | 1.... | HCS $\frac{1}{4}$ -20 x $\frac{7}{8}$ |
| 9.. | 579 150802.... | 1.... | PULLEY, IDLER | 39.. | 539 990316.... | 4.... | RHSNB $\frac{5}{16}$ -18 x $\frac{3}{4}$ |
| 10.. | 539 130324.... | 1.... | PULLEY | 40.. | 539 990645.... | 1.... | RHSNB $\frac{3}{8}$ -16 x 1 |
| 11.. | 539 130292.... | 1.... | IMPELLER | 41.. | 539 990208.... | 4.... | RHSNB $\frac{5}{16}$ -18 x 1 |
| 12.. | 539 113683.... | 1.... | V-IDLER | 42.. | 539 990302.... | 8.... | SCREW $\frac{1}{4}$ x $\frac{3}{8}$ THD FRM |
| 13.. | 539 130295.... | 1.... | HUB, BEARING | 43.. | 539 976952.... | 1.... | SCREW #10-24 x $\frac{5}{8}$ |
| 14.. | 539 130296.... | 2.... | BEARING | 44.. | 539 200282.... | 3.... | NUT $\frac{3}{8}$ -16 HEX JAM NYLOC |
| 15.. | 539 130301.... | 2.... | BUSHING | 45.. | 539 130313.... | 6.... | NUT $\frac{5}{16}$ -18 TEE |
| 16.. | 579 137402.... | 1.... | MOUNT, IDLER, UPPER | 46.. | 539 130314.. | 11.... | NUT $\frac{1}{4}$ -20 TEE |
| 17.. | 579 137502.... | 1.... | MOUNT, IDLER, LOWER | 47.. | 539 108120.... | 1.... | NUT $\frac{1}{4}$ -20 HEX NYLOC |
| 18.. | 539 130316.... | 1.... | SHAFT, IMPELLER | 48.. | 539 990717.... | 9.... | NUT $\frac{5}{16}$ -18 HEX NYLOC |
| 19.. | 579 137302.... | 1.... | ARM, IDLER | 49.. | 539 108735.... | 1.... | NUT $\frac{1}{4}$ -20 HEX FLANGE |
| 20.. | 539 130338.... | 1.... | ARM, TENSION | 50.. | 539 108089.... | 1.... | WELD NUT, PLATED |
| 21.. | 539 130339.... | 1.... | BRACKET, MOUNT, FRONT | 51.. | 539 910935.... | 1.... | WASHER |
| 22.. | 539 130340.... | 1.... | BRACKET, MOUNT, REAR | 52.. | 539 990118.... | 2.... | WASHER $\frac{3}{8}$ SPLT LOCK |
| 23.. | 539 101977.... | 1.... | TRACTION SPRING | 53.. | 539 990122.... | 3.... | WASHER $\frac{3}{8}$ SAE FLT |
| 24.. | 539 130323.... | 1.... | SPACER | 54.. | 539 110323.... | 2.... | WASHER, HARDENED |
| 25.. | 539 108088.... | 1.... | LATCH, HOOD | 55.. | 539 990055.... | 4.... | WASHER $\frac{1}{4}$ FLAT SAE |
| 26.. | 539 130341.... | 1.... | PLATE, OUTER | 56.. | 539 109552.... | 2.... | WASHER $\frac{3}{16}$ LOCK |
| 27.. | 539 132124.... | 1.... | PLATE, BACKING | 57.. | 539 108084.... | 2.... | WASHER $\frac{3}{16}$ x $\frac{3}{4}$ x 16 GA |
| 28.. | 539 132122.... | 1.... | PLATE, BACKING | 58.. | 539 976988.... | 1.... | HAIRPIN |
| 29.. | 539 115667.... | 1.... | KEY $\frac{3}{16}$ x $\frac{1}{2}$ | 59.. | 539 104763.... | 1.... | RETAINER U TYPE |
| 30.. | 539 125229.... | 1.... | KEY $\frac{3}{16}$ x $1\frac{1}{2}$ | | | | |

ACCESSORIES

CHUTES

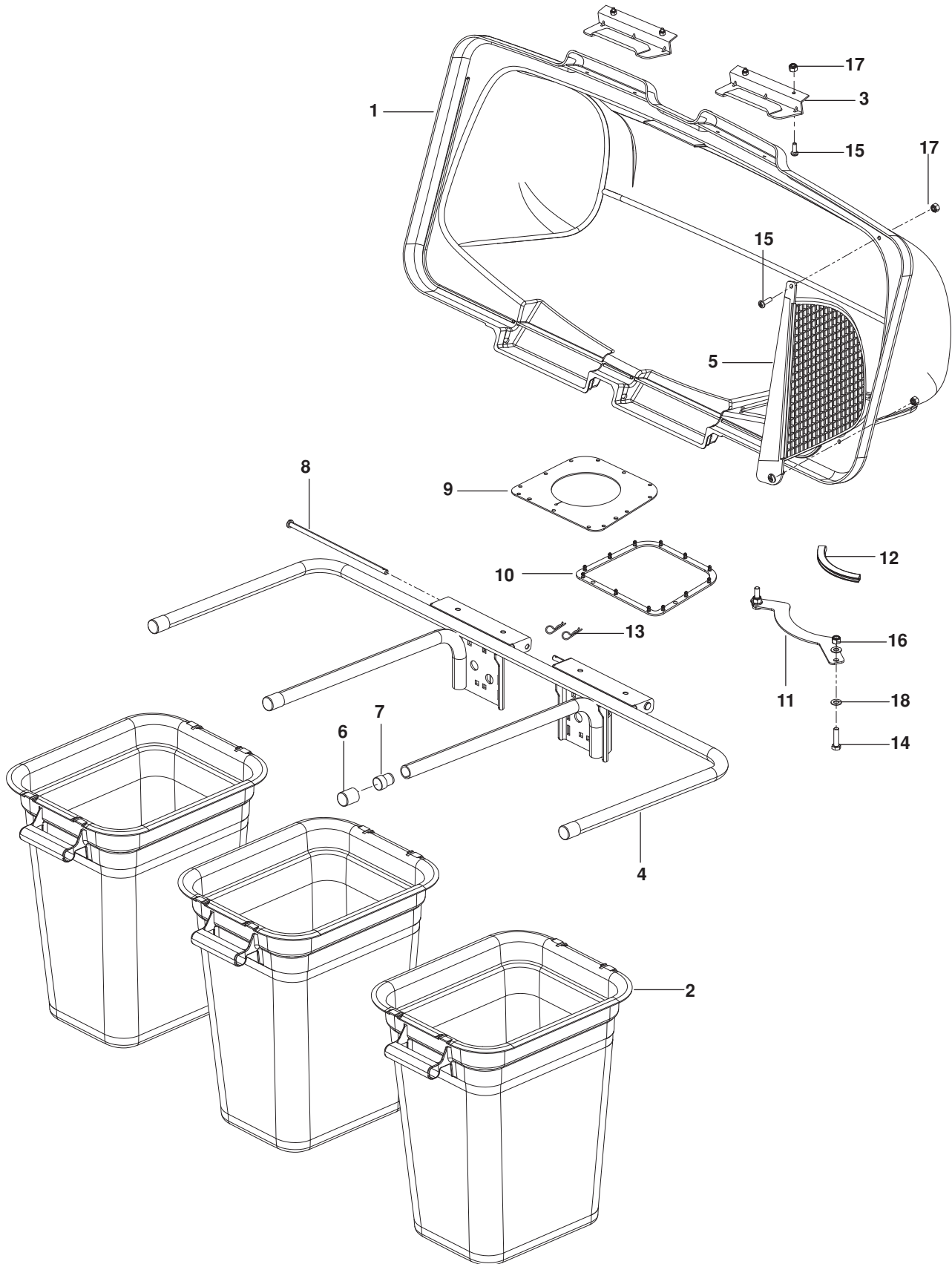


ACCESSORIES

| ITEM | PART NO. | QTY. | DESCRIPTION | ITEM | PART NO. | QTY. | DESCRIPTION |
|------|----------------|-------|---------------------|------|----------------|-------|---------------------------|
| 1.. | 522 739202.... | 1.... | CHUTE, UPPER | 7.. | 539 976952.... | 1.... | SCREW #10-24 x 5/8 |
| 2.. | 539 130294.... | 1.... | CHUTE, MIDDLE | 8.. | 539 108083.... | 2.... | SCREW #10-24 x 1 1/8 |
| 3.. | 539 108082.... | 1.... | INDICATOR, BAG DUMP | 9.. | 539 108086.... | 2.... | NUT #10-24 ACORN |
| 4.. | 539 108088.... | 1.... | LATCH, HOOD | 10.. | 539 108089.... | 1.... | WELD NUT, PLATED |
| 5.. | 539 108085.... | 2.... | SPACER, SPLIT | 11.. | 539 108084.... | 3.... | WASHER 3/16 x 3/4 x 16 GA |
| 6.. | 539 108081.... | 1.... | SCREW #10-14 x 1/2 | 12.. | 539 109552.... | 2.... | WASHER 3/16 LOCK |

ACCESSORIES

BAGGER

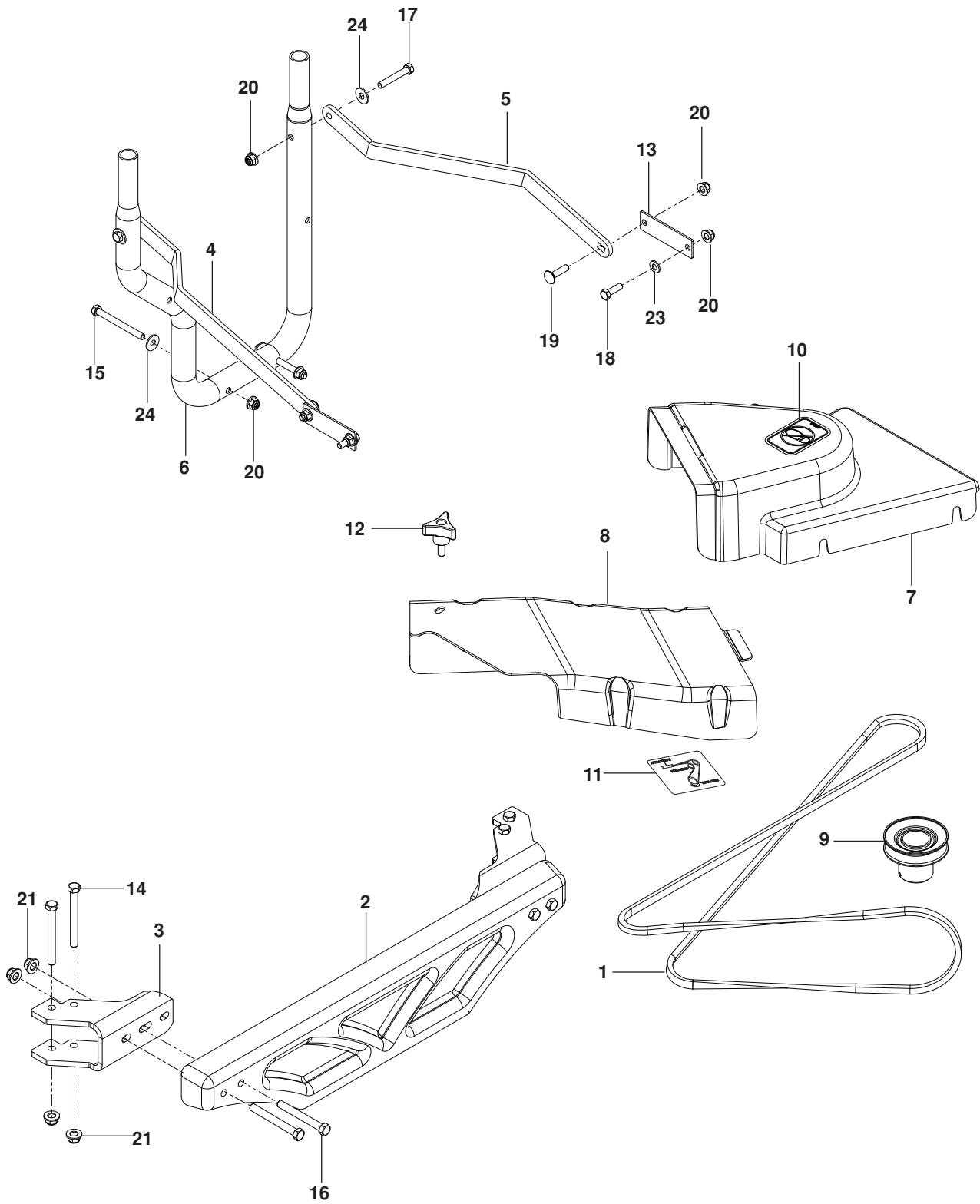


ACCESSORIES

| ITEM | PART NO. | QTY. | DESCRIPTION | ITEM | PART NO. | QTY. | DESCRIPTION |
|------|----------------|-------|----------------------|------|----------------|-------|---------------------------------|
| 1.. | 532 195373.... | 1.... | COVER | 10.. | 532 192603.... | 1.... | GASKET, COVER |
| 2.. | 532 400226.... | 3.... | CONTAINER, SOFT BAG | 11.. | 539 110281.... | 1.... | SUPPORT, CHUTE |
| 3.. | 532 130895.... | 2.... | HANDLE, BAGGER COVER | 12.. | 539 112294.... | 1.... | FLEX TRIM |
| 4.. | 539 108098.... | 1.... | FRAME, BAGGER | 13.. | 539 108096.... | 2.... | HAIR PIN |
| 5.. | 532 192709.... | 1.... | SCREEN, COVER | 14.. | 539 990627.... | 2.... | HCS $5/16$ -18 x $1\frac{1}{4}$ |
| 6.. | 539 108097.... | 4.... | PLUG, TUBING END | 15.. | 539 976952.... | 6.... | SCREW #10-24 x $5/8$ |
| 7.. | 522 801301.... | 2.... | PLUG, SPACER | 16.. | 539 112899.... | 2.... | NUT $5/16$ -18 HEX FLG NYLOC |
| 8.. | 532 192786.... | 2.... | PIN, HINGE | 17.. | 539 976977.... | 6.... | NUT #10-24 CROWNLOCK |
| 9.. | 532 192550.... | 1.... | SEAL, COVER | 18.. | 539 990188.... | 4.... | WASHER $5/16$ SAE |

ACCESSORIES

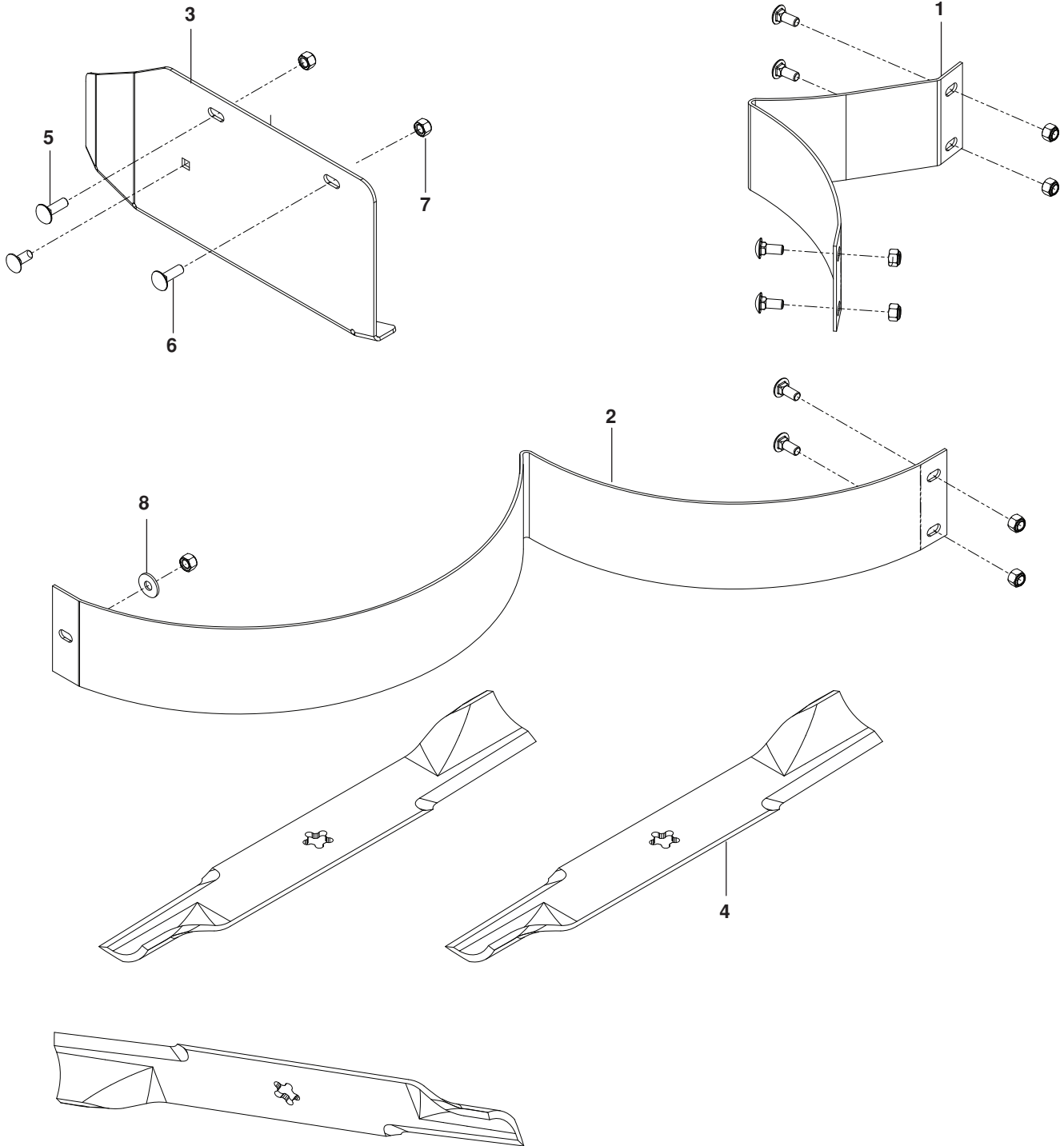
SHIELD, MOUNTS, WEIGHTS, BELT



ACCESSORIES

| ITEM | PART NO. | QTY. | DESCRIPTION | ITEM | PART NO. | QTY. | DESCRIPTION |
|------|----------------|-------|------------------------|------|----------------|-------|--|
| 1.. | 539 130347.... | 1.... | BELT | 13.. | 523 112802 ... | 2.... | PLATE, REINFORCEMENT |
| 2.. | 539 111587.... | 1.... | WEIGHT PLATE | 14.. | 539 108271.... | 4.... | HCS $\frac{3}{8}$ -16 x 3 $\frac{1}{2}$ |
| 3.. | 522 923202.... | 2.... | WEIGHT BRACKET | 15.. | 539 101520.... | 2.... | HCS $\frac{5}{16}$ -18 x 3 $\frac{1}{4}$ |
| 4.. | 522 854402.... | 1.... | STRAP, SUPPORT, RT 26" | 16.. | 539 101341.... | 4.... | HCS $\frac{3}{8}$ -16 x 3 |
| 5.. | 522 854502.... | 1.... | STRAP, SUPPORT, LT 26" | 17.. | 539 976937.... | 2.... | HCS $\frac{5}{16}$ -18 x 2 |
| 6.. | 539 131091.... | 1.... | TUBE, MOUNT | 18.. | 539 990209.... | 2.... | HCS $\frac{5}{16}$ -18 x 1 |
| 7.. | 539 130306.... | 1.... | SHIELD, BELT | 19.. | 539 100472.... | 2.... | RHSNB $\frac{5}{16}$ -18 x 1 $\frac{1}{4}$ |
| 8.. | 539 130309.... | 1.... | COVER, BELT | 20.. | 539 112899.... | 8.... | NUT $\frac{5}{16}$ -18 HEX FLG NYLOC |
| 9.. | 539 130319.... | 1.... | PULLEY | 21.. | 521 996501.... | 8.... | NUT $\frac{3}{8}$ -16 HEX FLANGE |
| 10.. | 539 105743.... | 1.... | DECAL, NO STEP | 22.. | 539 990188.... | 2.... | WASHER $\frac{5}{16}$ SAE FLAT |
| 11.. | 539 130349.... | 1.... | DECAL, BELT ROUTING | 23.. | 539 990692.... | 4.... | WASHER $\frac{5}{16}$ STD FLT |
| 12.. | 539 104411.... | 1.... | KNOB w/ STUD | | | | |

ACCESSORIES



ACCESSORIES

| ITEM | PART NO. | QTY. | DESCRIPTION | ITEM | PART NO. | QTY. | DESCRIPTION |
|------|----------------|-------|---|------|----------------|-------|--|
| 1.. | 539 113417.... | 1.... | BAFFLE, MULCH, LEFT | 5.. | 539 990208.... | 2.... | RHSNB ⁵ / ₁₆ -18 x 1 GR5 |
| 2.. | 539 113419.... | 1.... | BAFFLE, MULCH, RIGHT | 6.. | 539 990316.... | 7.... | RHSNB ⁵ / ₁₆ -18 X ³ / ₄ GR5 |
| 3.. | 539 113428.... | 1.... | CAP, MULCH, 48 | 7.. | 539 990717.... | 9.... | NUT ⁵ / ₁₆ -18 NYLOC |
| 4.. | 522 037401.... | 3.... | BLADE, 16 ¹ / ₄ " GATOR | 8.. | 539 990692.... | 1.... | WASHER ⁵ / ₁₆ |

