

**Repair Parts Manual**  
**Manuel De Pièces De Rechange**  
**LGTH22V48/96048004300**

Please read the operator's manual carefully and make sure  
you understand the instructions before using the machine.

Lisez très attentivement et soyez certain de comprendre  
ces instructions avant d'utiliser cette machine.



**English/French**

**581 57 03-27 Rev. 1**



# HOW TO USE THIS MANUAL

This manual is designed to provide the customer with a means to identify the parts on his/her tractor when ordering repair parts. The illustrations may or may not represent the actual assemblies; therefore, it is not recommended to use this manual as a guide to assemble or disassemble the tractor. Some hardware and parts are drawn larger in order to more readily identify them.

Each tractor has its own model number.

The model number for your tractor can be found on the fender under the seat.

When ordering parts, always give the following information:

- Product - "TRACTOR"
- MODEL NUMBER - "LGTH22V48" (96048004300)"
- Part Number
- Part Description

## TABLE OF CONTENTS

SCHEMATIC .....	3
ELECTRICAL.....	4-5
CHASSIS .....	6-7
DRIVE.....	8-9
ENGINE.....	10-11
STEERING .....	12-13
MOWER DECK.....	14-15
MOWER LIFT.....	16
SEAT .....	17
DECALS.....	18

## COMMENT UTILISER CE MANUEL

Ce manuel a été dessiné pour fournir le client avec les moyens d'identification des pièces de détachées du tracteur quand il/elle a besoin de commander les pièces de rechange. Les illustrations ne peuvent pas représenter exactement le modèle que vous avez acheté. N'utilisez pas ce manuel comme un guide dans le montage et/ou démontage de votre tracteur. La visserie montrée est plus grande pour faciliter l'identification.

Chaque tracteur a un numéro de modèle particulier.

Le numéro de modèle du produit se trouvera sur l'aile, dessous le siège.

Lorsque vous commandez des pièces de rechange, donnez toujours les renseignements suivants:

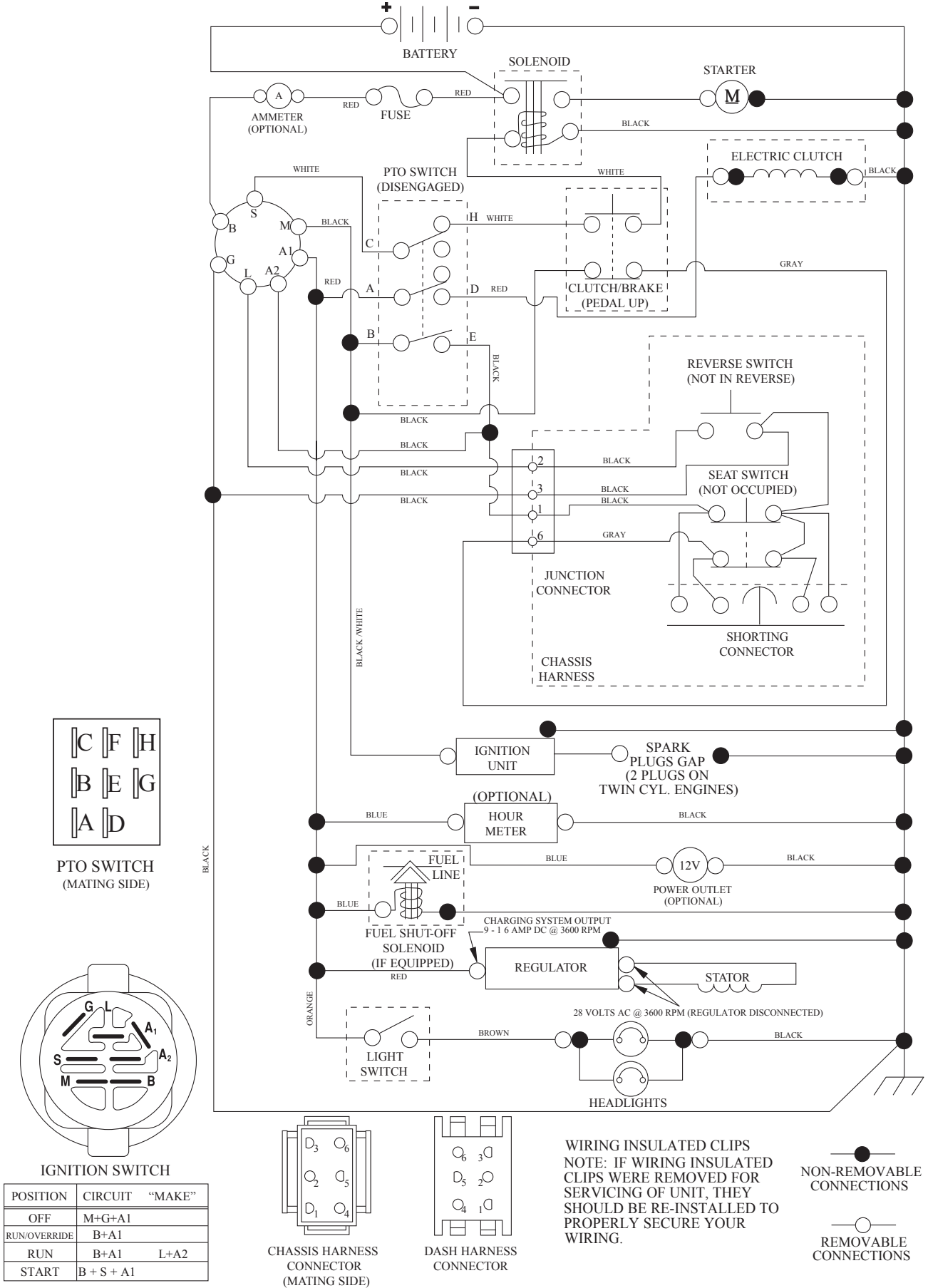
- Produit - "TRACTEUR"
- NUMÉRO DU MODÈLE - "XXXXXXXX (960XXXXXXXX)"
- Numéro de la Pièce
- Description de la Pièce

## TABLE DE MATIERES

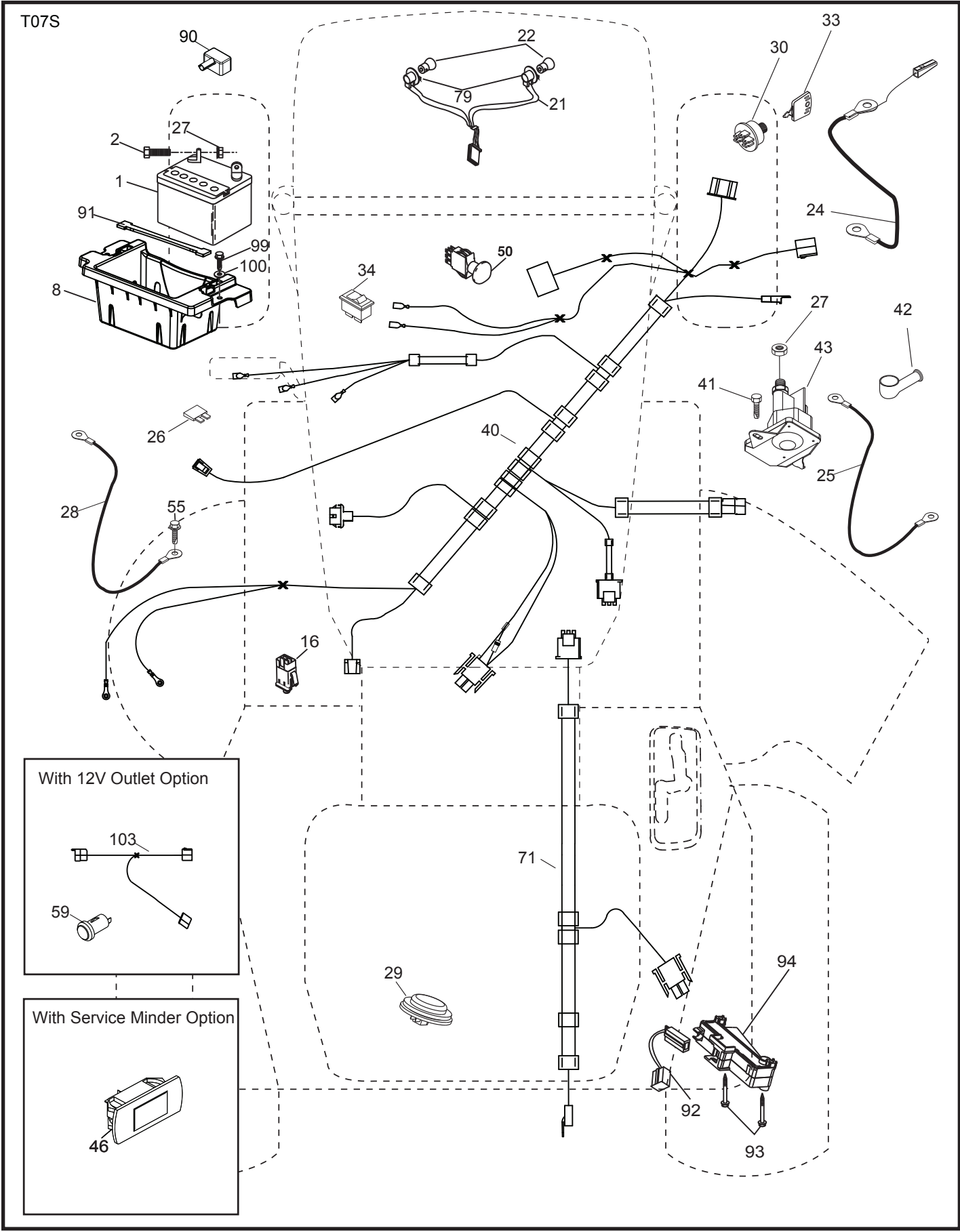
SCHÉMA .....	19
ELECTRIQUE .....	20-21
CHÂSSIS/ENCEINTES.....	22-23
ENTRAÎNEMENT .....	24-25
MOTEUR.....	26-27
ENSEMBLE DE LA DIRECTION.....	28-29
CARTER DE TONDEUSE.....	30-31
LEVAGE DE LA TONDEUSE.....	32
ENSEMBLE DU SIÈGE .....	33
DECALCOMANIES.....	34

# TRACTOR - MODEL NO. LGTH22V48 (96048004300), PRODUCT NO. 960 48 00-43 SCHEMATIC

SCH12



**TRACTOR - MODEL NO. LGTH22V48 (96048004300), PRODUCT NO. 960 48 00-43  
ELECTRICAL**

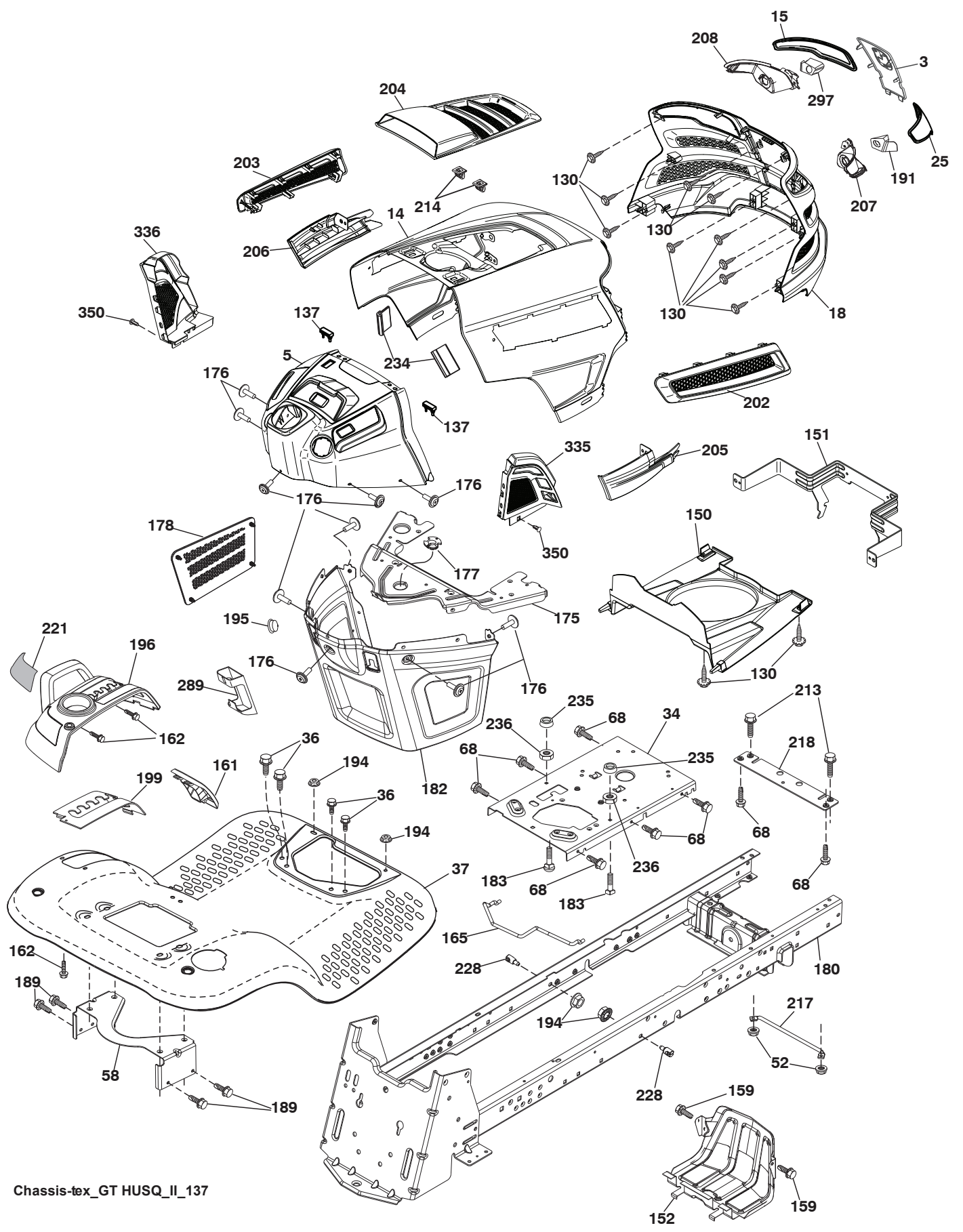


**TRACTOR - MODEL NO. LGTH22V48 (96048004300), PRODUCT NO. 960 48 00-43  
ELECTRICAL**

<b>KEY NO.</b>	<b>PART NO.</b>	<b>DESCRIPTION</b>
1	532 16 34-65	Battery
2	874 76 04-12	Bolt Hex Hd 1/4-20 unc x 3/4
8	532 18 64-91	Battery Box
16	532 17 61-38	Switch Interlock
21	532 40 02-52	Harness Socket Light
22	532 00 41-52	Bulb, Light #1156
24	532 40 02-53	Cable Battery
25	532 41 28-95	Cable Starter
26	532 17 51-58	Fuse
27	873 51 04-00	Nut Keps Hex 1/4-20 unc
28	532 14 54-91	Cable Ground 21" Blk 6 Ga.
29	532 40 15-45	Switch Seat
30	532 19 33-50	Switch Ign
33	532 41 19-35	Key/Chain
34	532 11 07-12	Switch Light/Reset
40	532 40 11-04	Harness Ign. Dash
41	817 72 04-08	Screw Thd Cut 1/4-20 x 1/2
42	532 13 15-63	Cover Terminal Red
43	532 19 25-07	Solenoid
46	532 40 17-63	Gauge Hourmeter
50	532 17 46-51	Switch PTO
55	817 06 05-12	Screw Thdrol 5/16-18 x 3/4
71	532 19 42-76	Harness Ign Chassis
79	532 17 52-42	Socket Asm Bulb
90	532 43 53-95	Cover Terminal Battery
91	532 19 02-70	Strap Battery
92	532 19 66-15	Harness Pigtail Reverse Switch
93	532 19 25-40	Screw Plastite 10-14 X 2.00
94	532 19 18-34	Module Reverse ROS
99	817 67 04-12	Screw Hexwsh Thdrol 1/4-20 x 3/4
100	819 09 14-16	Washer 9/32 x 7/8 x 16 Ga.

**NOTE:** All component dimensions given in U.S. inches  
1 inch = 25.4 mm

**TRACTOR - MODEL NO. LGTH22V48 (96048004300), PRODUCT NO. 960 48 00-43  
CHASSIS**



Chassis-~~tex~~\_GT HUSQ\_II\_137

**TRACTOR - MODEL NO. LGTH22V48 (96048004300), PRODUCT NO. 960 48 00-43  
CHASSIS**

KEY NO.	PART NO.	DESCRIPTION	KEY NO.	PART NO.	DESCRIPTION
3	532 43 97-52	Applique	194	873 90 05-00	Nut Lock Hex Flange 5/16-18
5	532 43 74-83	Dash	195	532 40 41-37	Plug Hole
14	532 44 11-77	Hood Asm.	196	532 43 97-16	Console Asm. Deck Lift
15	532 43 97-33	Lens LH	199	532 19 82-59	Plate Deck Lift
18	532 43 77-62	Grille Asm.	202	532 43 97-28	Vent Side Hood RH
25	532 44 33-85	Lens RH	203	532 43 97-27	Vent Side Hood LH
34	580 91 08-01	Plate Engine	204	532 43 57-14	Vent Asm Hood Top
36	817 06 05-12	Screw 5/16-18 x 3/4	205	532 43 97-30	Skirt Hood Side RH
37	532 44 12-08	Fender	206	532 43 97-29	Skirt Hood Side LH
52	873 68 05-00	Nut Crown Lock 5/16-18	207	532 43 97-34	Bezel RH
58	532 19 43-14	Bracket Fender	208	532 43 97-35	Bezel LH
68	817 49 05-08	Screw 5/16-18 x 1/2	213	874 76 05-12	Bolt Hex Hd 5/16-18 unc x 3/4
130	532 41 63-58	Screw #10 x .750 BOS Thread	214	532 19 91-45	Clip Retainer
137	532 40 75-90	Bumper Dash	217	532 40 91-67	Rod Pivot
150	532 43 97-74	Duct Heat Hood	218	532 19 63-95	Hood Stop
151	532 43 66-70	Bracket Pivot Hood	221	532 19 89-09	Reflector LH
152	532 43 98-70	Shield Browning/Debris	228	532 19 51-61	Stud Fastener
159	817 00 06-12	Screw 3/8-16 x 3/4	234	532 40 47-42	Bumper Hood
161	532 43 99-29	Console Fuel Window	235	532 40 61-29	Spacer Fender
162	532 14 24-32	Screw Hex Wsh Hi-Lo 1/4 x 1/2	236	873 93 05-00	Nut Center Lock 5/16-18 unc
165	532 19 68-26	Bracket Support Tank	289	532 40 35-71	Plug Cruise/Phone
175	532 19 63-04	Crossmember	297	532 43 74-56	Insert LH
176	532 40 07-76	Screw 10-24 x 5/8	335	532 44 82-04	Cover Dash RH
177	532 19 52-27	Bushing Steering	336	532 44 53-09	Cover Dash LH
178	532 19 97-82	Cargo Asm.	350	532 44 51-43	Clip X-mas Tree
180	532 19 54-77	Chassis	--	532 40 09-44	Kit Bumper
182	532 40 68-59	Dash Lower			
183	874 52 05-20	Bolt 5/16-18 x 1-1/4			
189	817 00 05-12	Screw 5/16-18 x 3/4			
191	532 43 74-55	Insert RH			

**NOTE:** All component dimensions given in U.S. inches  
1 inch = 25.4 mm



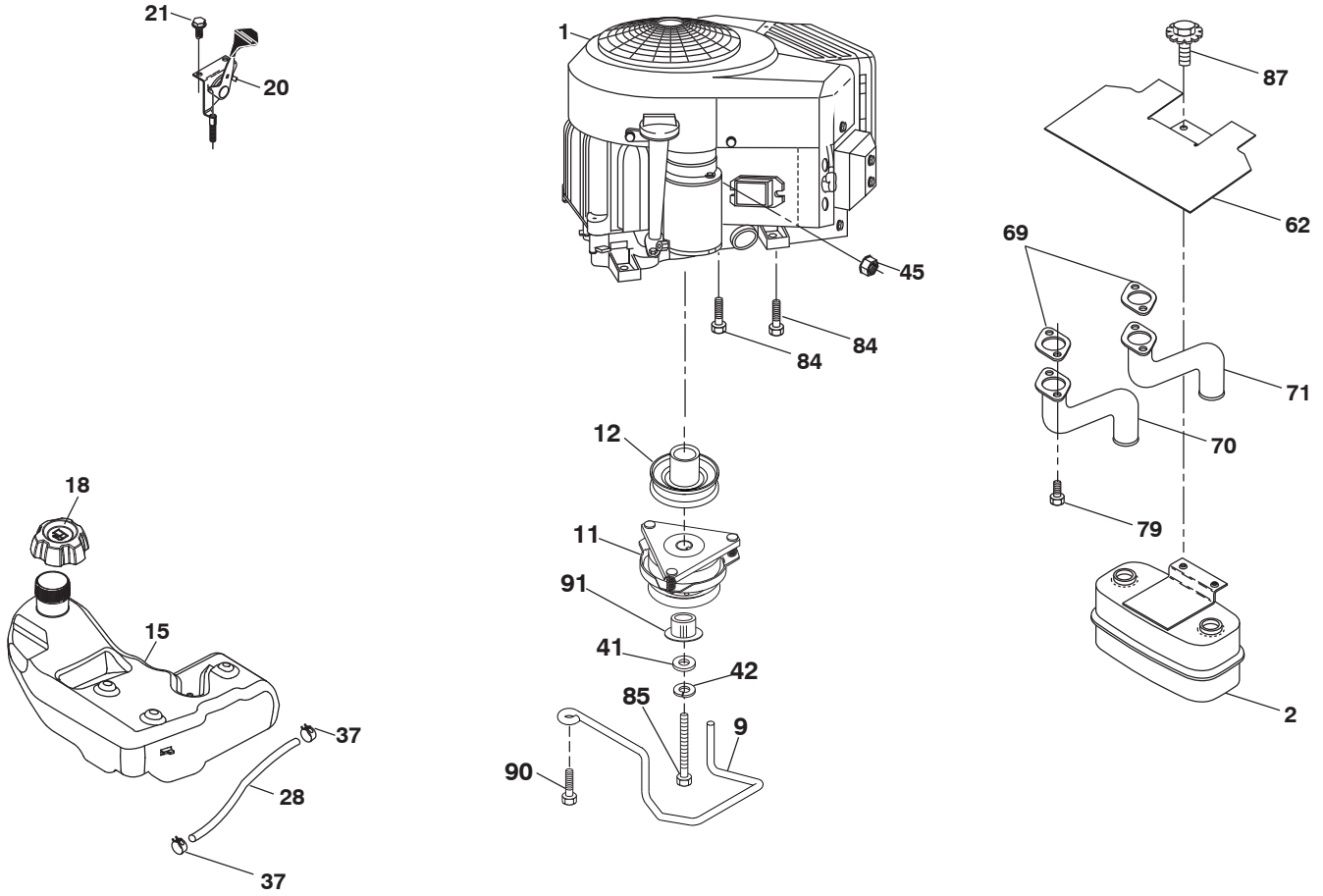


**TRACTOR - MODEL NO. LGTH22V48 (96048004300), PRODUCT NO. 960 48 00-43  
DRIVE**

KEY NO.	PART NO.	DESCRIPTION	KEY NO.	PART NO.	DESCRIPTION
1	---	Transaxle, TUFFTORQ K46 AW (448354) (Order parts from trans-axle manufacturer.)	166	532 42 91-64	Nut Push
2	532 18 62-11	Key	167	532 40 52-57	Latch Brake Parking
7	532 19 98-44	Hub Asm. Wheel Rear 22" TXGT.06	170	532 41 34-30	Keeper Belt Centerspan
9	532 14 00-80	Bolt Hub Wheel Rear	174	532 19 72-89	Nut Push
15	819 13 13-16	Washer 13/32 x 13/16 x 16 Ga.	175	532 40 62-08	Shaft Asm Shift
17	532 41 36-78	Spring Brake	176	532 19 62-14	Arm Clevis Rod Shift
22	532 19 73-29	Rod Shift	178	532 19 74-56	Spring Shift
23	532 14 08-45	Knob	183	532 40 04-24	Spacer Split
29	532 40 38-06	Rod, Brake	184	532 44 14-55	Handle Parking Brake
33	812 00 00-01	Ring E	185	872 11 06-22	Bolt Rdhd Sqnk 3/8-16 x 2-3/4 Gr. 5
35	532 43 54-86	Rod Brake Park	186	532 19 43-21	Spacer Retainer
42	532 12 48-72	Cover Foot Pedal	187	819 13 32-10	Washer
49	872 11 06-14	Bolt	188	532 19 43-23	Link Clutch Ground Drive
50	532 19 43-27	Pulley Idler Flat	189	532 19 43-17	Bellcrank Ground Drive
51	873 90 06-00	Lock Nut 3/8-16	190	532 19 43-18	Keeper Bellcrank Ground Drive
52	532 19 43-26	Idler V-Groove	196	817 00 06-16	Screw 3/8-16 x 1
56	532 13 09-69	V-Belt Drive	197	532 19 97-69	Link Clutch Anti-Rotation
64	532 19 62-00	Shaft Asm. Pedal Brake Control	205	532 12 17-48	Washer
70	532 43 96-60	Console Asm.	211	532 19 62-12	Bushing Brake Shaft
73	874 49 05-60	Bolt Hex Flghd 5/16-18 3.75	216	532 19 61-31	Bracket Pulley Idler
74	532 14 24-32	Screw 1/4 x 1/2	220	532 19 89-08	Reflector RH
80	532 44 06-19	Strap Torque	221	532 40 31-87	Retainer Spring Clip Handle
99	532 41 57-43	Rod Bypass	225	532 40 33-19	Keeper Belt Trans.
116	873 90 05-00	Nut Lock Hex Flange 5/16-18	226	532 40 08-31	Bracket Mount Torque
125	817 00 05-12	Screw 5/16-18 x 3/4	227	817 49 05-12	Screw 5/16-18 x 3/4
143	817 49 05-08	Screw 5/16-18 x 1/2	230	532 18 89-67	Washer Hardened
153	532 12 47-88	Retainer Spring	231	532 40 72-87	Idler V-Groove 1.688" Offset
159	876 02 04-12	Pin Cotter 1/8 x 3/4	233	532 40 52-96	Washer Serrated
160	532 16 94-84	Retainer Clip	276	874 78 07-16	Bolt 7/16-14 x 1 Gr. 5
161	532 10 57-09	Spring Return Clutch	279	532 40 62-07	Link Shift
162	532 19 57-85	Spacer Transaxle 18 and 22			

**NOTE:** All component dimensions given in U.S. inches  
1 inch = 25.4 mm

**TRACTOR - MODEL NO. LGTH22V48 (96048004300), PRODUCT NO. 960 48 00-43  
ENGINE**



**SPARK ARRESTER KIT**

engine-tex\_bs-2cyl\_77

# TRACTOR - MODEL NO. LGTH22V48 (96048004300), PRODUCT NO. 960 48 00-43 ENGINE

KEY NO.	PART NO.	DESCRIPTION
1	-----	Engine B&S Model No. 40H777-0025-G5 (581557601) (Order parts from engine manufacturer.)
2	532 44 59-62	Muffler
9	532 19 43-20	Keeper Belt Engine
11	532 17 93-35	Clutch Electric
12	532 19 43-43	Pulley Engine
15	532 19 34-99	Tank Fuel 4.0
18	532 43 96-45	Cap Fuel
20	532 42 35-02	Control Throttle/Choke
21	532 41 63-58	Screw #10 x .750 BOS Thread
28	532 14 21-58	Fuel Line
29	532 13 71-80	Spark Arrester Kit
37	532 12 34-87	Clamp Hose
41	532 12 61-97	Washer 1-1/2 OD x 15/32 ID x .250
42	810 04 07-00	Washer Lock 7/16
45	873 51 04-00	Nut Keps Hex 1/4-20 unc
62	532 43 40-17	Shield Heat Muffler
69	532 16 53-91	Gasket
70	532 15 99-55	Tube Exhaust LH
71	532 16 05-89	Tube Exhaust RH
79	532 18 39-06	Screw Socket Head 5/16-18 x .75
84	817 06 06-20	Screw 3/8-16 x 1
85	532 17 99-53	Bolt Hex 7/16-20 x 3.75 Gr. 5
87	532 17 18-77	Bolt 5/16-18 unc x 1 w/Sems
90	817 00 06-16	Screw 3/8-16 x 1
91	532 18 74-95	Bushing

**NOTE:** All component dimensions given in U.S. inches  
1 inch = 25.4 mm

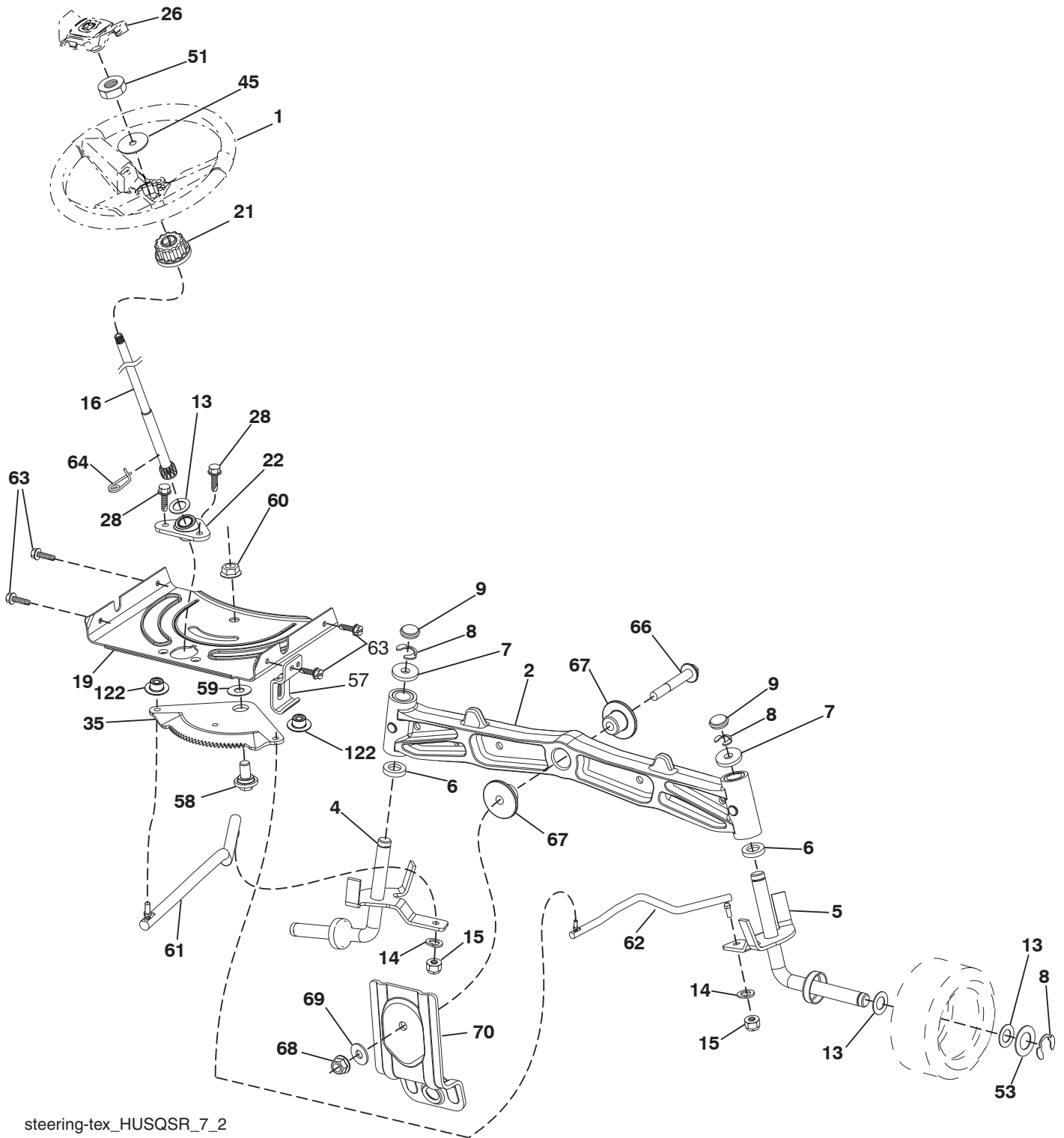
For engine service and replacement parts, call the toll free number for your engine manufacturer listed below:

Briggs & Stratton                      1-800-233-3723

## Engine Power Rating Information

The gross power rating for individual gas engine models is labeled in accordance with SAE (Society of Automotive Engineers) code J1940 (Small Engine Power & Torque Rating Procedure), and rating performance has been obtained and corrected in accordance with SAE J1995 (Revision 2002-05). Torque values are derived at 3060 RPM; horsepower values are derived at 3600 RPM. Actual gross engine power will be lower and is affected by, among other things, ambient operating conditions and engine-to-engine variability. Given both the wide array of products on which engines are placed and the variety of environmental issues applicable to operating the equipment, the gas engine will not develop the rated gross power when used in a given piece of power equipment (actual "on-site" or net power). This difference is due to a variety of factors including, but not limited to, accessories (air cleaner, exhaust, charging, cooling, carburetor, fuel pump, etc.), application limitations, ambient operating conditions (temperature, humidity, altitude), and engine-to-engine variability. Due to manufacturing and capacity limitations, Briggs & Stratton may substitute an engine of higher rated power for this Series engine.

TRACTOR - MODEL NO. LGTH22V48 (96048004300), PRODUCT NO. 960 48 00-43  
STEERING ASSEMBLY



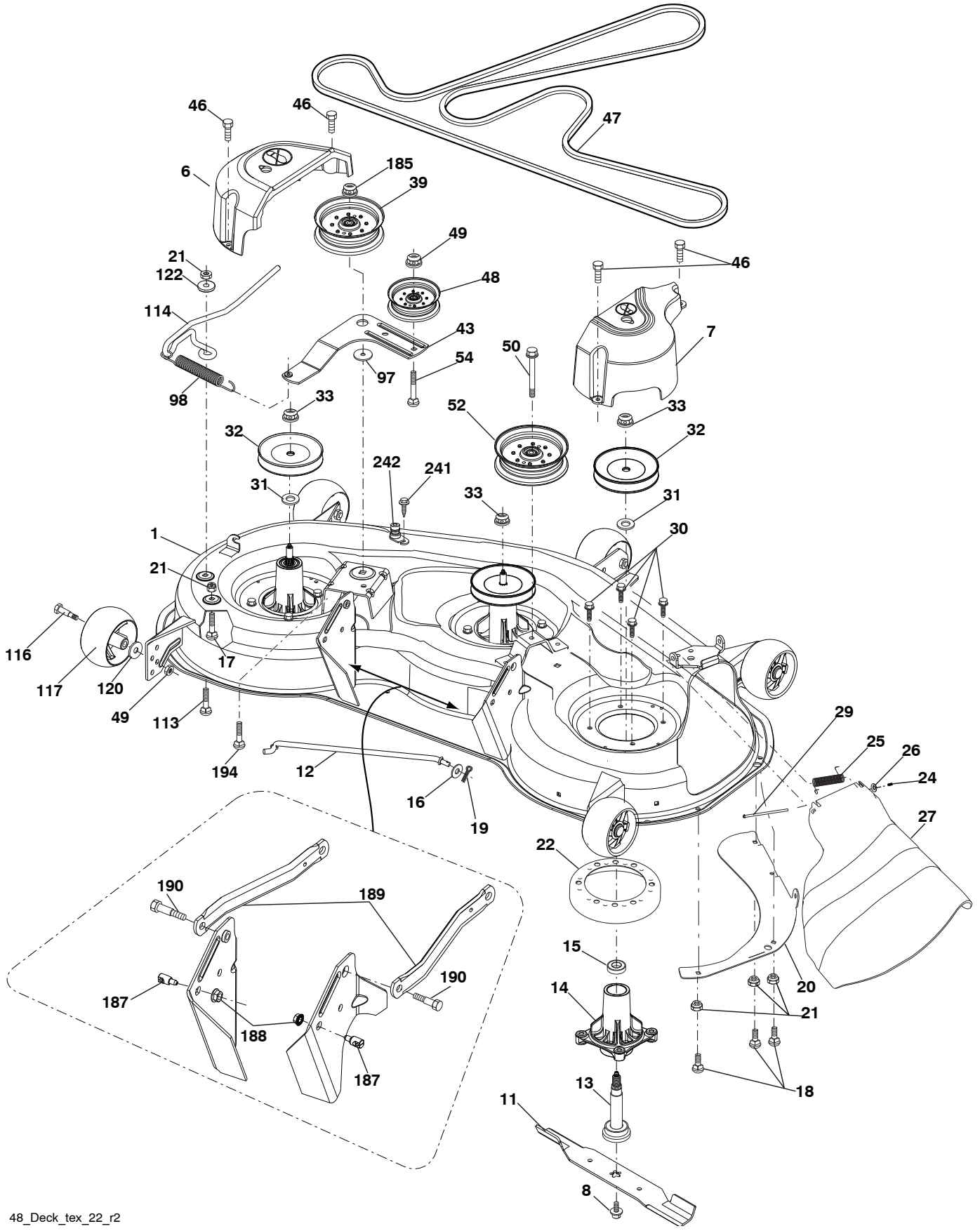
steering-tex\_HUSQSR\_7\_2

**TRACTOR - MODEL NO. LGTH22V48 (96048004300), PRODUCT NO. 960 48 00-43  
STEERING ASSEMBLY**

<b>KEY NO.</b>	<b>PART NO.</b>	<b>DESCRIPTION</b>
1	532 43 97-40	Wheel, Steering
2	532 19 59-68	Axle Asm., Front
4	532 40 30-89	Spindle Asm., LH
5	532 40 30-90	Spindle Asm., RH
6	532 12 49-31	Bearing, Race Thrust Harden
7	532 12 17-48	Washer 25/32 x 1-5/8 x 16 Ga.
8	812 00 00-29	Ring, Clip #T5304-75
9	532 12 12-32	Cap, Spindle
13	532 12 17-49	Washer 25/32 x 1-1/4 x 16 Ga.
14	810 04 06-00	Washer, Lock Hvy Hlcl Spr 3/8
15	873 54 06-00	Nut, Crown Lock 3/8-24 unf
16	532 40 82-19	Shaft Steering
19	532 19 47-29	Plate Steering
21	532 18 67-37	Adapter, Wheel Steering
22	532 42 05-37	Supt. Lower, Strg.
26	532 43 97-43	Insert, Wheel Steering
28	817 00 06-12	Screw 3/8-16 x 3/4
35	532 19 47-32	Gear, Sector Plate
45	819 18 38-12	Washer 9/16 x 2-3/8 x 12 Ga.
51	873 94 08-00	Nut Hex Jam Toplock 1/2-20 unf
53	532 18 89-67	Washer Hardened .793 x 1.637 x .060
57	532 19 72-46	Bracket Upstop
58	532 19 47-47	Bolt Shoulder Sector Pivot CFM
59	532 19 47-48	Washer Thrust Sector Steering
60	873 97 10-00	Nut Flange Lock 5/8-11
61	532 19 47-40	Draglink, LH
62	532 19 47-41	Draglink, RH
63	817 00 05-12	Screw 5/16-18 x 3/4
64	532 19 98-49	Retainer Clip Spring Steering
66	871 02 07-48	Bolt Hex Fghd 7/16-14 x 3 Serr
67	532 19 47-37	Bushing PM Front Axle
68	873 90 07-00	Nut Lock Flange 7/16-14 Gr. 5
69	532 19 91-62	Washer 1.5 x .505 x .118
70	532 19 61-97	Bracket Deck Susp. Front
122	532 44 49-62	Cap Gear

**NOTE:** All component dimensions given in U.S. inches  
1 inch = 25.4 mm

**TRACTOR - MODEL NO. LGTH22V48 (96048004300), PRODUCT NO. 960 48 00-43**  
**MOWER DECK**



48\_Deck\_tex\_22\_r2

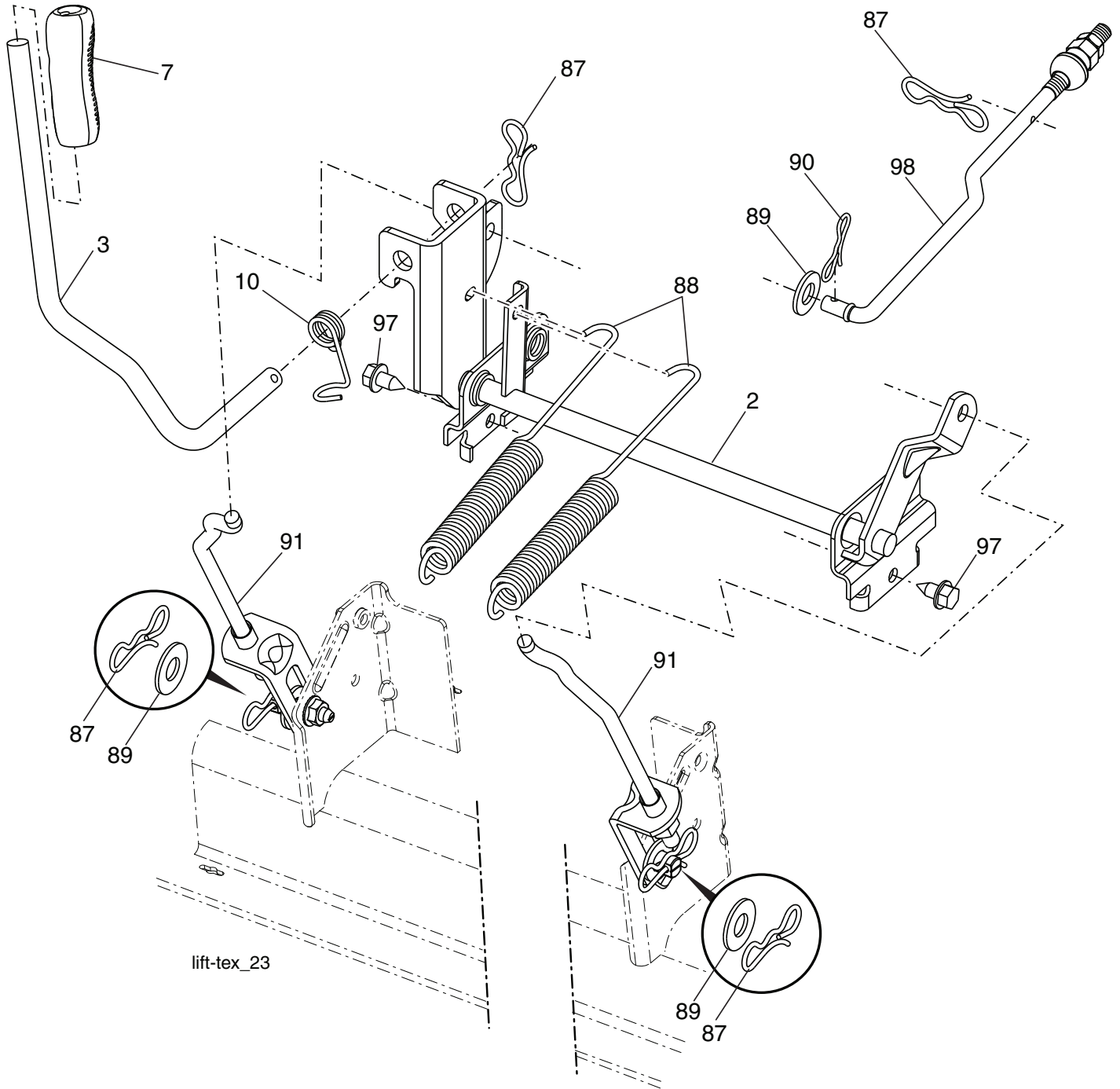
**TRACTOR - MODEL NO. LGTH22V48 (96048004300), PRODUCT NO. 960 48 00-43  
MOWER DECK**

<b>KEY NO.</b>	<b>PART NO.</b>	<b>DESCRIPTION</b>	<b>KEY NO.</b>	<b>PART NO.</b>	<b>DESCRIPTION</b>
1	532 44 12-93	Deck Weldment Mower	49	873 90 06-00	Nut, Lock Flg. 3/8-16 unc
6	532 19 72-48	Cover Mandrel LH	50	817 49 06-36	Screw TT 3/8-16 x 2-1/4
7	532 19 91-02	Cover Mandrel RH	52	532 19 31-97	Pulley Idler 48" Primary
8	532 19 30-03	Bolt 7/16 Asm. Blade	54	872 11 06-12	Bolt Carr. Sh 3/8-16 x 1-1/2 Gr. 5
11	532 18 00-54	Blade High Lift	97	532 17 85-15	Washer Hardened
12	532 40 48-51	Rod Anti-Sway	98	532 19 61-05	Spring Drive
13	532 18 72-91	Shaft Asm. w/Lower Bearing	113	872 11 05-08	Bolt Rdhd Sqnk 5/16-18 x 3/4
14	532 18 72-81	Housing, Mandrel	114	532 19 74-51	Rod Tension Relief
15	532 11 04-85	Bearing, Ball, Mandrel	116	532 19 34-06	Bolt, Shoulder
16	819 13 13-12	Washer 13/32 x 13/16 x 12 Ga.	117	532 17 48-73	Gauge Wheel
17	872 11 05-05	Bolt 5/16-18 x 5/8	120	819 13 20-12	Washer 13/32 x 1-1/4 x 12 Ga.
18	872 14 05-05	Bolt RdHd 5/16-18 unc x 5/8	122	532 18 75-57	Bushing Tension Relief
19	532 19 42-08	Pin Cotter 5/16 Bow Tie Lock	185	873 90 07-00	Nut Lock Flange 7/16-14 Gr. 5
20	532 17 43-78	Baffle Vortex	187	532 19 51-61	Stud Fastener w/"D" Anti-Rotation
21	873 68 05-00	Nut, Crownlock 5/16-18 unc	188	873 90 05-00	Nut Lock Hex Flange
22	532 17 44-93	Stripper Mandrel	189	532 19 51-85	Arm Susp. Mower Rear
24	532 10 53-04	Cap Sleeve	190	532 19 65-39	Bolt Shoulder
25	532 17 81-02	Spring, Torsion	194	874 49 07-36	Bolt 7/16 - 24
26	532 11 04-52	Nut, Push	241	532 15 29-27	Screw TT #10-32.5 3/8 Flange
27	532 18 17-07	Deflector Shield	242	532 41 55-98	Port, Washout
29	532 13 14-91	Rod, Hinge	--	532 18 72-92	Mandrel Assembly (Includes housing (key #14), shaft assembly (key #13), and bearing only (key #15)- pulley/nut/washer and blade bolt/washers not included.)
30	532 17 39-84	Screw, Thdroll Washer Head	--	532 41 82-23	Replacement Mower, Complete
31	532 18 76-90	Washer, Spacer Mower Vented	--	532 41 64-05	Coupling Quick Connect
32	532 15 35-32	Pulley, Mandrel			
33	532 40 02-34	Nut, Flg. Top Lock			
39	532 19 73-80	Pulley, Idler, 4.50 Hub			
43	532 19 60-65	Arm, Idler			
46	532 13 77-29	Screw, Thdroll. 1/4-20 x 5/8			
47	532 19 72-42	Belt Deck Drive			
48	532 19 73-79	Pulley Idler 4.50 RAW			

**NOTE:** All component dimensions given in U.S. inches  
1 inch = 25.4 mm



**TRACTOR - MODEL NO. LGTH22V48 (96048004300), PRODUCT NO. 960 48 00-43  
MOWER LIFT**



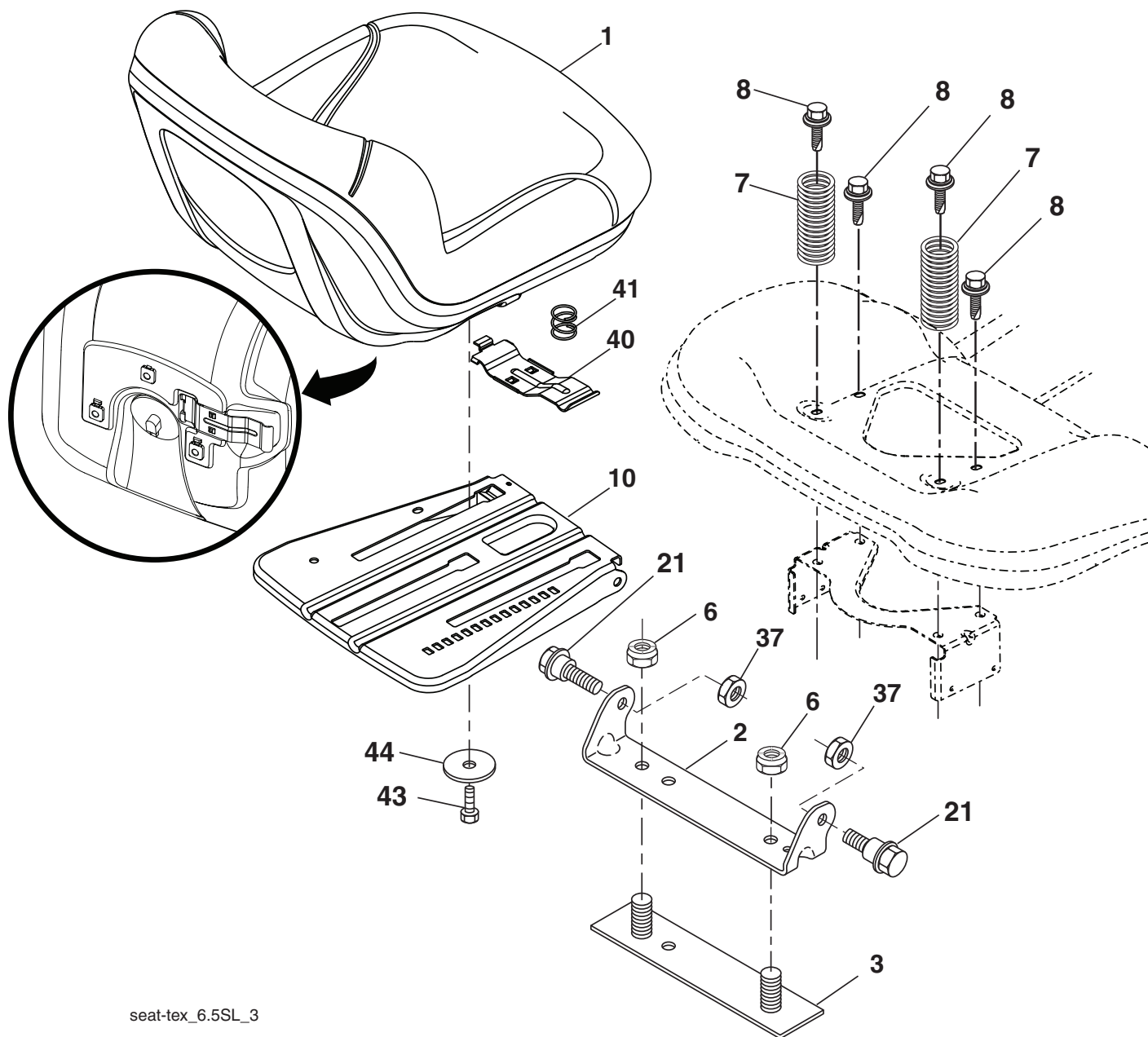
KEY NO.	PART NO.	DESCRIPTION
2	532 42 20-27	Shaft Asm., Lift
3	532 19 52-30	Lever Asm., Lift RH
7	580 96 23-01	Grip, Lever
10	532 19 63-14	Spring Torsion
87	532 19 42-09	Pin Cotter 7/16 Bow Tie Lock
88	532 19 53-04	Spring Lift Assist
89	819 19 19-12	Washer Clear Zinc

KEY NO.	PART NO.	DESCRIPTION
90	532 19 42-08	Pin Cotter 5/16 Bow Tie Lock
91	532 19 79-84	Link Lift Susp Mower Rear
97	817 00 06-12	Screw 3/8-16 x 3/4
98	532 19 52-64	Link Lift Susp. Front Mower

**NOTE:** All component dimensions given in U.S. inches  
1 inch = 25.4 mm



**TRACTOR - MODEL NO. LGTH22V48 (96048004300), PRODUCT NO. 960 48 00-43  
SEAT ASSEMBLY**



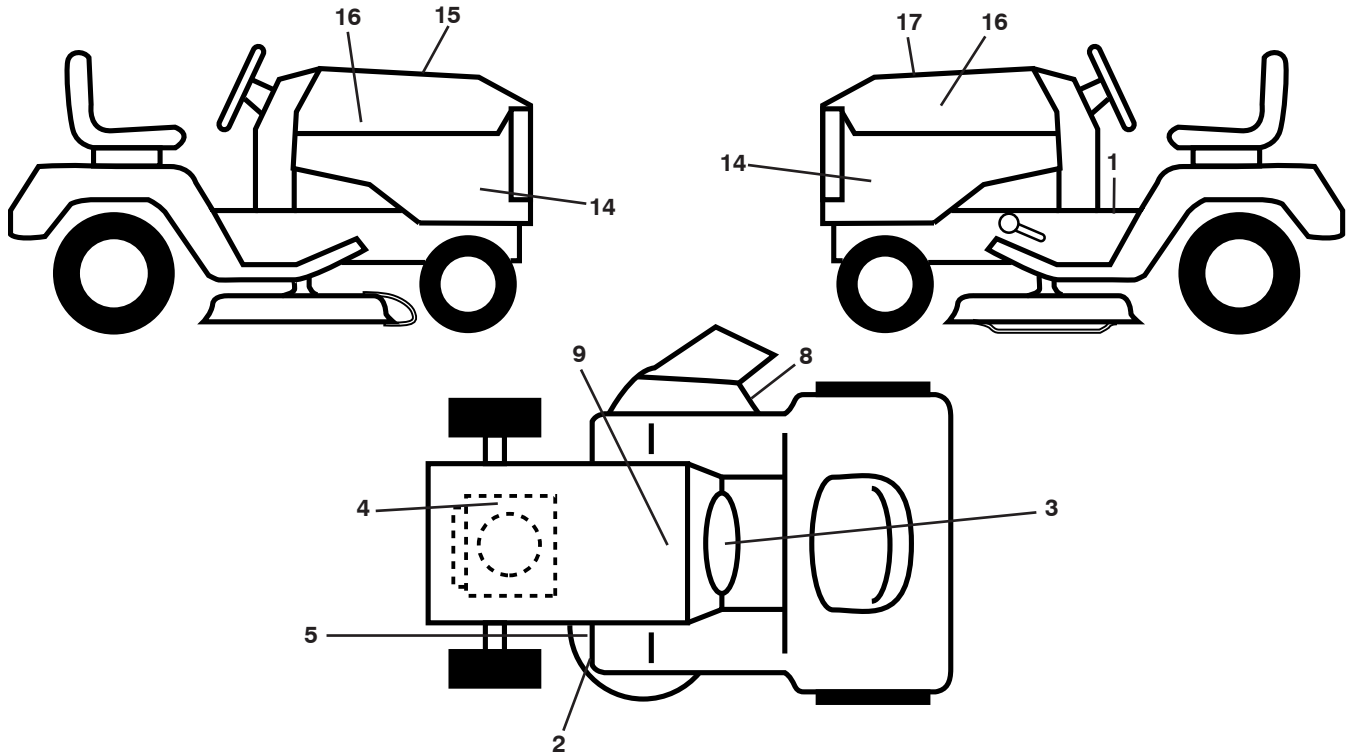
seat-tex\_6.5SL\_3

KEY NO.	PART NO.	DESCRIPTION
1	532 44 32-63	Seat
2	532 18 01-66	Bracket Pivot Fender
3	532 14 06-75	Strap, Asm Fender
6	873 80 06-00	Nut, Lock w/Ins. 3/8-16 unc
7	532 12 41-81	Spring, Seat Cprsn
8	532 17 18-77	Bolt 5/16-18 unc x 3/4 w/Sems
10	532 19 69-77	Pan, Seat
21	532 17 18-52	Bolt, Shoulder 5/16-18

KEY NO.	PART NO.	DESCRIPTION
37	873 80 05-00	Nut, Lock 5/16-18 unc
40	532 19 76-61	Handle Slide Seat
41	532 19 82-00	Spring Latch Seat
43	874 76 06-12	Bolt 3/8-16 x 3/4
44	819 13 38-12	Washer 13/32 x 2-3/8 x 12 Ga.

**NOTE:** All component dimensions given in U.S. inches  
1 inch = 25.4 mm

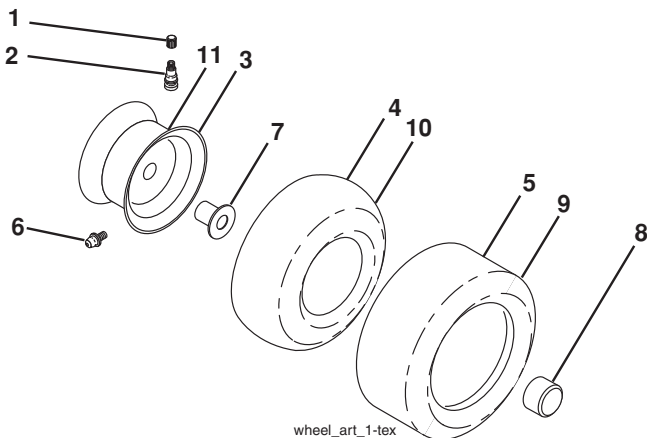
**TRACTOR - MODEL NO. LGTH22V48 (96048004300), PRODUCT NO. 960 48 00-43  
DECALS**



KEY NO.	PART NO.	DESCRIPTION
1	532 41 16-58	Decal, Warning
2	532 17 05-63	Decal, Mower
3	532 43 52-86	Decal, Warn Spark
4	532 43 29-14	Decal, Eng.
5	532 17 84-55	Decal, Caution
8	532 19 87-85	Decal, Mower Sch.
9	532 14 50-05	Decal, Battery Dnge/Poi
14	581 56 97-01	Decal, Panel Side

KEY NO.	PART NO.	DESCRIPTION
15	532 42 38-29	Decal, Warning Customer Resp.
16	581 62 73-01	Decal, Hood Logo
17	581 51 17-01	Decal, Replacement
--	532 16 69-60	Decal, Bypass
--	532 43 98-82	Pad, Footrest, LH
--	532 44 15-42	Pad, Footrest, RH
--	581 57 02-32	Manual, Operator's (English/French)
--	581 57 03-27	Manual, Parts (English/French)

**WHEELS AND TIRES**



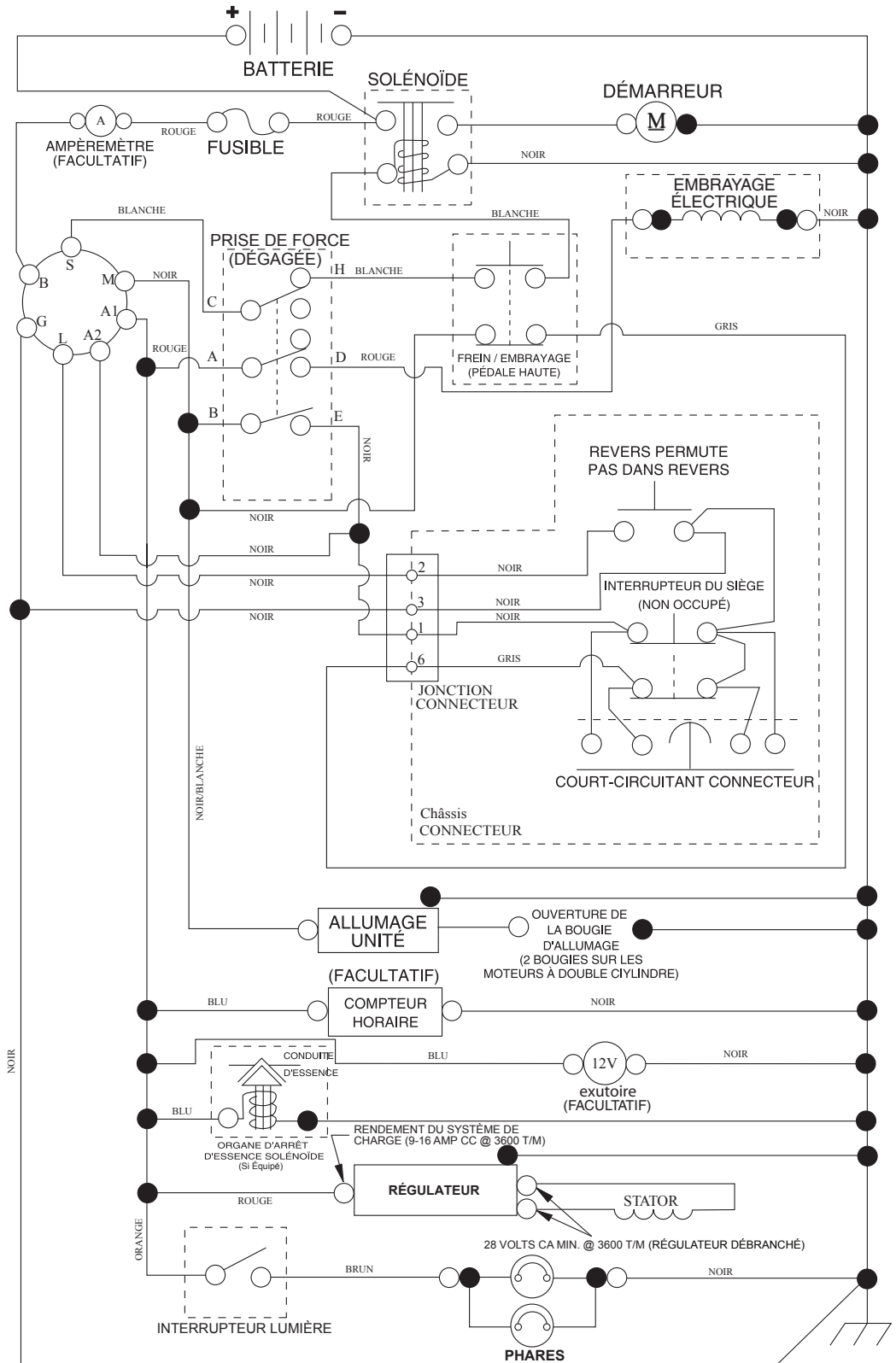
KEY NO.	PART NO.	DESCRIPTION
1	532 05 91-92	Cap, Valve, Tire
2	532 06 51-39	Stem, Valve
3	532 18 18-39	Rim Assembly, Front
4	532 00 81-34	Tube, Front (Service Item Only)
5	532 10 62-30	Tire, Front
6	532 12 49-57	Fitting, Grease (Front Wheel Only)
7	532 12 49-59	Bearing, Flange (Front Wheel Only)
8	532 17 50-39	Cap, Axle
9	532 18 47-08	Tire, Rear
10	532 00 71-54	Tube, Rear (Service Item Only)
11	532 40 17-82	Rim Assembly, Rear
--	532 14 43-34	Sealant, Tire (10 oz. Tube)

**NOTE:** All component dimensions given in U.S. inches  
1 inch = 25.4 mm

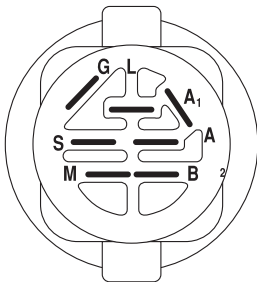
# TRACTEUR - NO. DE MODÈLE LGTH22V48 (96048004300), NO. DE PRODUIT 960 48 00-43

## SCHÉMA

SCH12-F

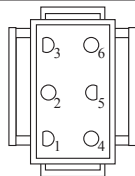


PRISE DE FORCE  
INTERRUPTEUR  
(ACCOUPLER CÔTÉ)



### CONTACTEUR D'ALLUMAGE

POSITION	CIRCUIT "FAITS"
ARRÊT	M + G + A1
MARCHE/ ALLUMAGE	B + A1
MARCHE	B + A1      L+A2
DÉMARRAGE	B + S + A1



Châssis  
CONNECTEUR  
(ACCOUPLER CÔTÉ)

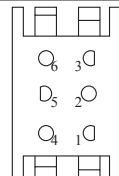


Tableau de bord  
CONNECTEUR

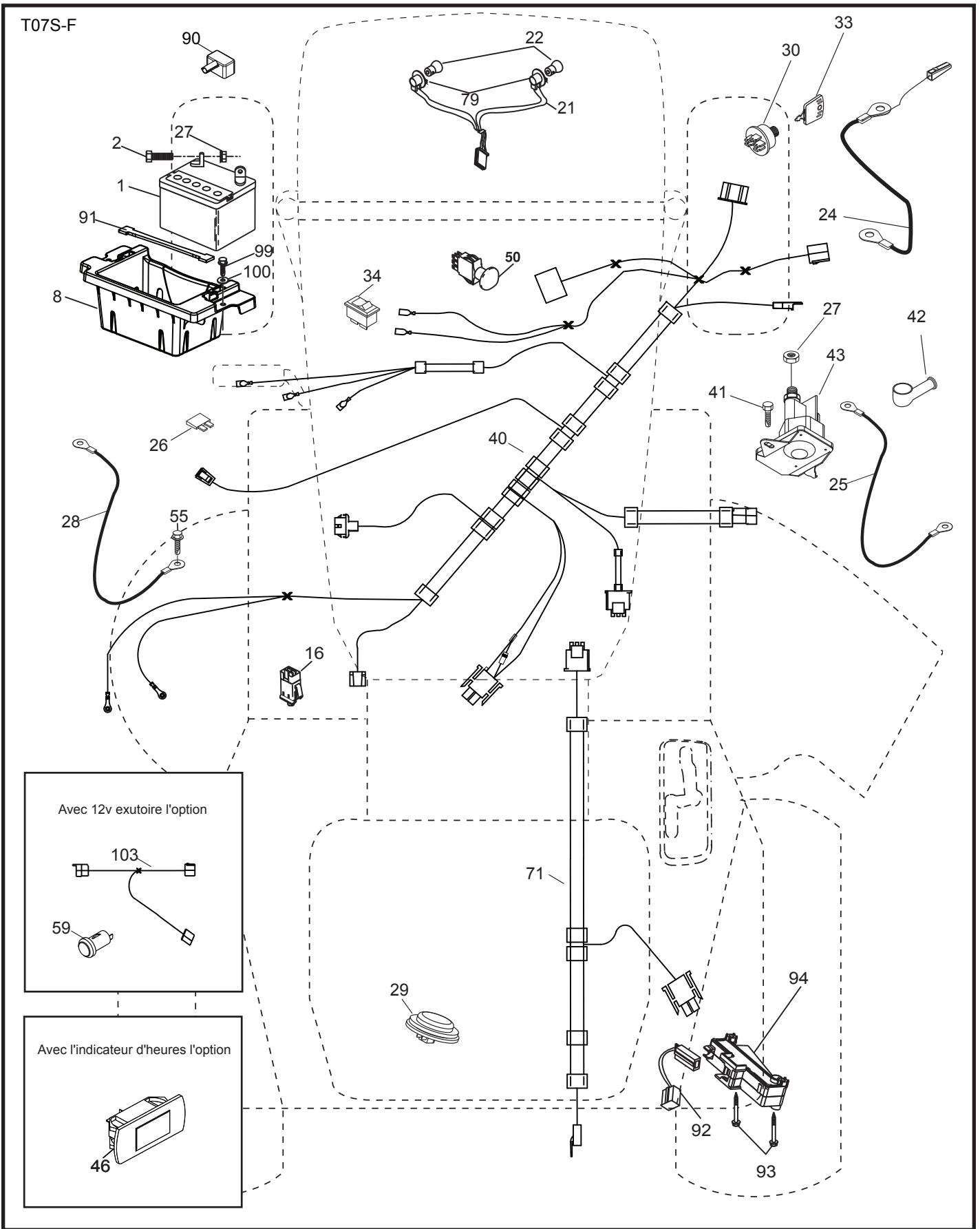
### PINCES ISOLÉES

REMARQUE: SI LES PINCES ISOLÉES ONT ÉTÉ ENLEVÉES POUR L'ENTRETIEN DU MODÈLE, ELLES DOIVENT ÊTRE REMISES EN PLACE POUR ASSURER LE BON FONCTIONNEMENT DU CÂBLAGE.

CONNECTEURS  
NON-AMOVIBLES

CONNECTEURS  
AMOVIBLES

**TRACTEUR - NO. DE MODÈLE LGTH22V48 (96048004300), NO. DE PRODUIT 960 48 00-43  
ÉLECTRIQUE**

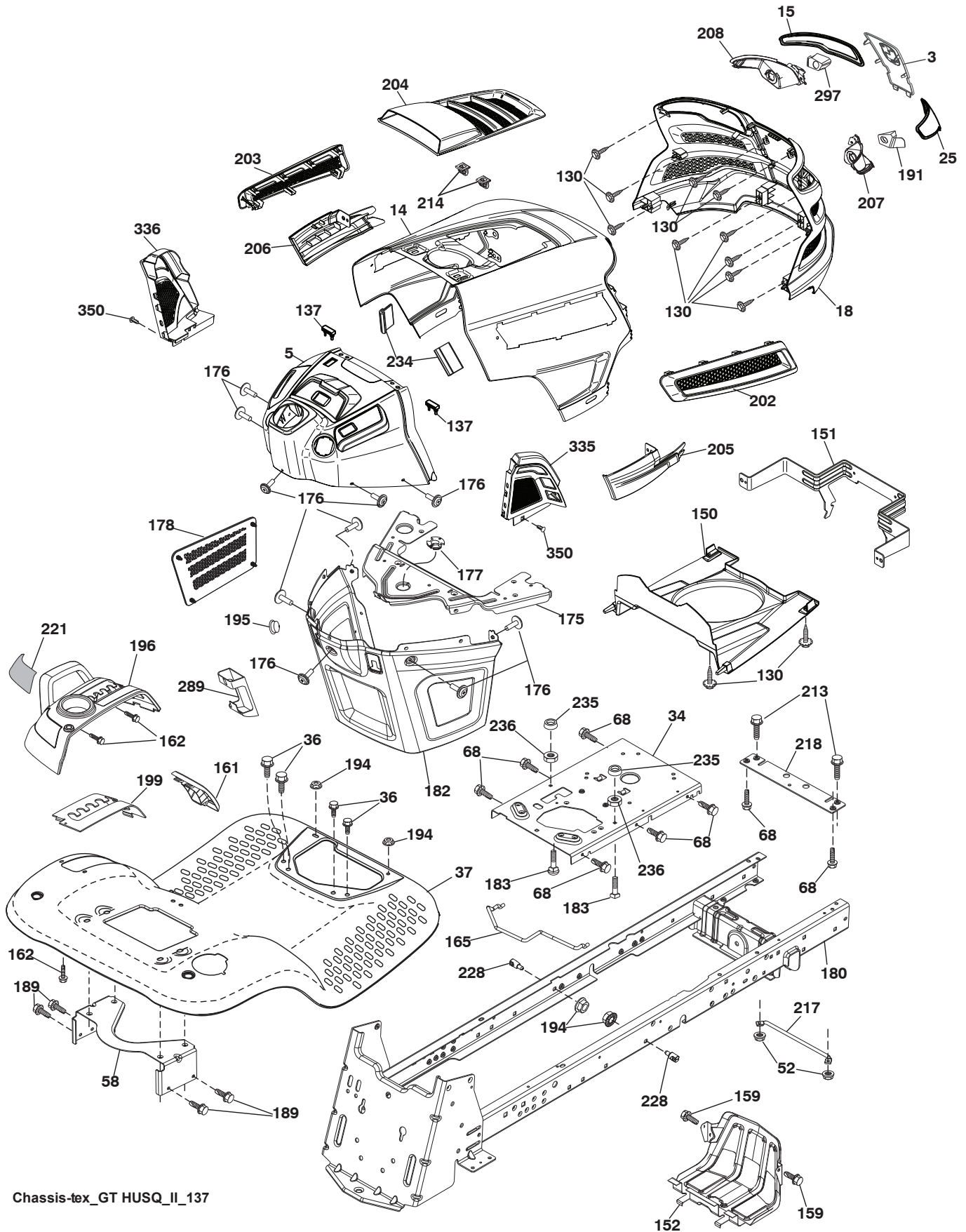


**TRACTEUR - NO. DE MODÈLE LGTH22V48 (96048004300), NO. DE PRODUIT 960 48 00-43  
ÉLECTRIQUE**

<b>NO. DE RÉF.</b>	<b>NO DE PIÈCE</b>	<b>DESCRIPTION</b>
1	532 16 34-65	Batterie
2	874 76 04-12	Boulon H 1/4-20 unc x 3/4
8	532 18 64-91	Bac de batterie
16	532 17 61-38	Interrupteur de verrouillage pressé
21	532 40 02-52	Harnais des prises de courant des phares
22	532 00 41-52	Ampoule N°1156
24	532 40 02-53	Câble de batterie
25	532 41 28-95	Câble de batterie de 6 Ja. avec un fil de 16 po. - rouge
26	532 17 51-58	Fusible
27	873 51 04-00	Écrou H 1/4-20 unc
28	532 14 54-91	Câble de masse de 6 Ja. de 21" - noir
29	532 40 15-45	Interrupteur
30	532 19 33-50	Contacteur d'allumage
33	532 41 19-35	Clé/Chaîne
34	532 11 07-12	L'interrupteur des phares
40	532 40 11-04	Harnais
41	817 72 04-08	Vis 1/4-20 x 1/2
42	532 13 15-63	Couverture de borne
43	532 19 25-07	Solénoïde
46	532 40 17-63	Compteur horaire
50	532 17 46-51	Interrupteur
55	817 06 05-12	Vis 5/16-18 x 3/4
71	532 19 42-76	Harnais des câbles d'allumage
79	532 17 52-42	Prise de courant du phare
90	532 43 53-95	Couverture
91	532 19 02-70	Attache
92	532 19 66-15	Harnais Natte ROS Interrupteur
93	532 19 25-40	Vis 10-14 x 2.0
94	532 19 18-34	Module Arrière ROS
99	817 67 04-12	Vis H 1/4-20 x 3/4
100	819 09 14-16	Rondelle 9/32 x 7/8 x 16 Ja.

**REMARQUE:** Toutes les dimensions de composant sont données en pouces É.-U. --1 pouce = 25,4 mm

TRACTEUR - NO. DE MODÈLE LGTH22V48 (96048004300), NO. DE PRODUIT 960 48 00-43  
CHÂSSIS/ENCEINTES



Chassis-tex\_GT HUSQ\_II\_137

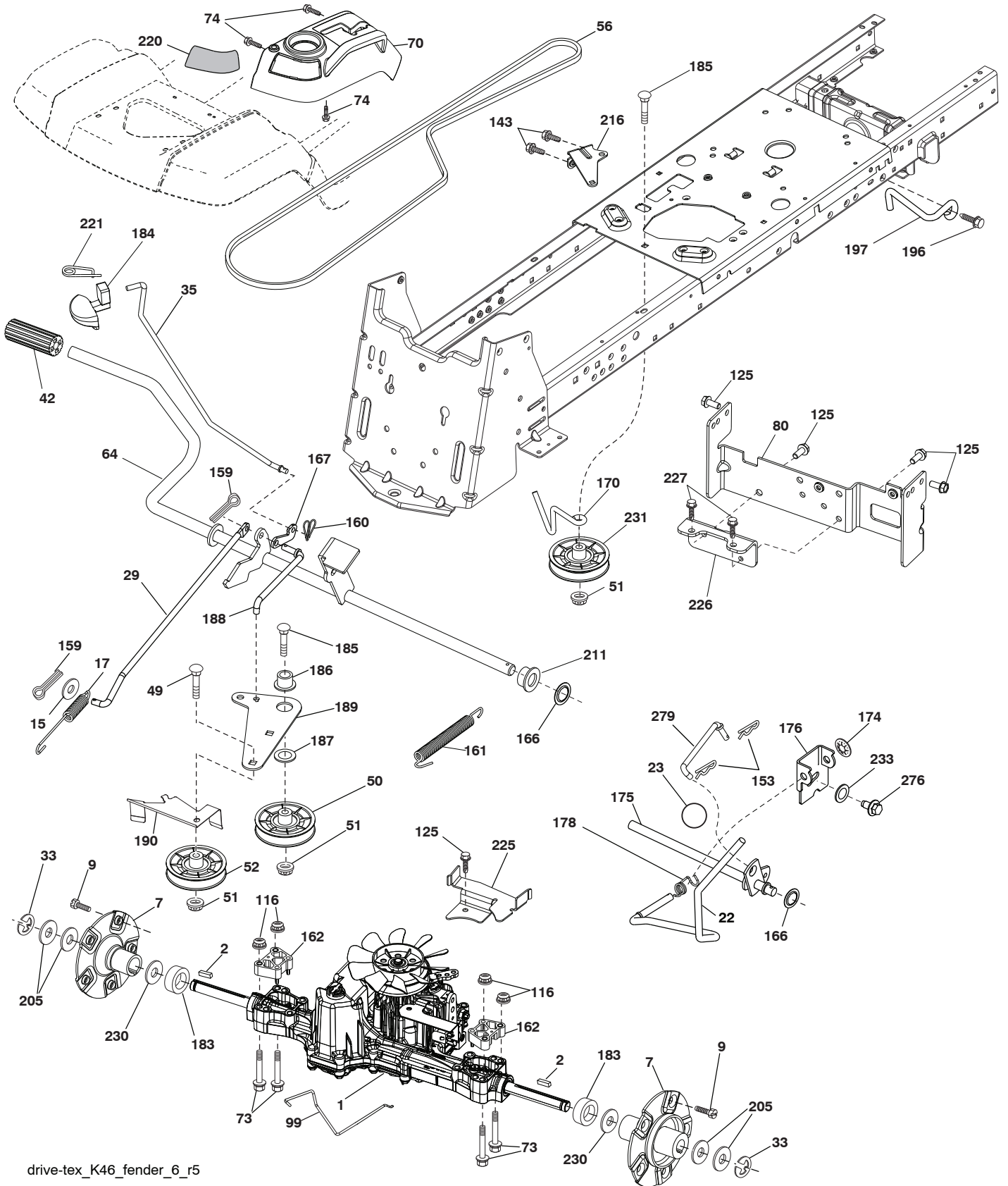
**TRACTEUR - NO. DE MODÈLE LGTH22V48 (96048004300), NO. DE PRODUIT 960 48 00-43  
CHÂSSIS/ENCEINTES**

NO. DE RÉF.	NO DE PIÈCE	DESCRIPTION	NO. DE RÉF.	NO DE PIÈCE	DESCRIPTION
3	532 43 97-52	Applique	195	532 40 41-37	Bouchon
5	532 43 74-83	Tableau de bord	196	532 43 97-16	Panneau du tableau de bord
14	532 44 11-77	Capot	199	532 19 82-59	Plaque de renforcement
15	532 43 97-33	Lentilles C.G.	202	532 43 97-28	Ventile C.D.
18	532 43 77-62	Calandre	203	532 43 97-27	Vent C.G.
25	532 44 33-85	Lentilles C.D.	204	532 43 57-14	Ventile sommet
34	580 91 08-01	Plaquette de moteur	205	532 43 97-30	Jupe C.D.
36	817 06 05-12	Vis 5/16-18 x 3/4	206	532 43 97-29	Jupe C.G.
37	532 44 12-08	Aile	207	532 43 97-34	Biseau C.D.
52	873 68 05-00	Écrou	208	532 43 97-35	Biseau C.G.
58	532 19 43-14	Support	213	874 76 05-12	Boulon H 5/16-18 unc x 3/4
68	817 49 05-08	Vis 5/16-18 x 1/2	214	532 19 91-45	Collier de retenue
130	532 41 63-58	Vis #10 x 0.750	217	532 40 91-67	Tige
137	532 40 75-90	Précipiter le pare-chocs	218	532 19 63-95	Coussin morceau
150	532 43 97-74	Canalisation	221	532 19 89-09	Réflecteur
151	532 43 66-70	Pivot de support	228	532 19 51-61	Attache De Goujon
152	532 43 98-70	Deflecteur	234	532 40 47-42	Pare-chocs de capuchon
159	817 00 06-12	Vis 3/8-16 x 3/4	235	532 40 61-29	Pare-chocs plus spatial
161	532 43 99-29	Fenetre de combustible	236	873 93 05-00	Ecrou
162	532 14 24-32	Vis H 1/4 x 1/2	289	532 40 35-71	Bouchon/Téléphone
165	532 19 68-26	Soutien du support	297	532 43 74-56	Insertion
175	532 19 63-04	Pièce d'entretoisement	335	532 44 82-04	Couvercle (C.D.)
176	532 40 07-76	Vis 10-24 x 5/8	336	532 44 53-09	Couvercle (C.G.)
177	532 19 52-27	Douille 10-24 x 5/8	350	532 44 51-43	Attache
178	532 19 97-82	Fret	--	532 40 09-44	Jeu de pare-chocs
180	532 19 54-77	Châssis			
182	532 40 68-59	Tableau de bord			
183	874 20 05-20	Boulon 5/16-18 x 1-1/4			
189	817 00 05-12	Vis 5/16-18 x 3/4			
191	532 43 74-55	Insertion réfléchissante C.D.			
194	873 90 05-00	Écrou frein 5/16-18			

**REMARQUE:** Toutes les dimensions de composant sont données en pouces É.-U. --1 pouce = 25,4 mm



TRACTEUR - NO. DE MODÈLE LGTH22V48 (96048004300), NO. DE PRODUIT 960 48 00-43  
ENTRAÎNEMENT



drive-tex\_K46\_fender\_6\_r5

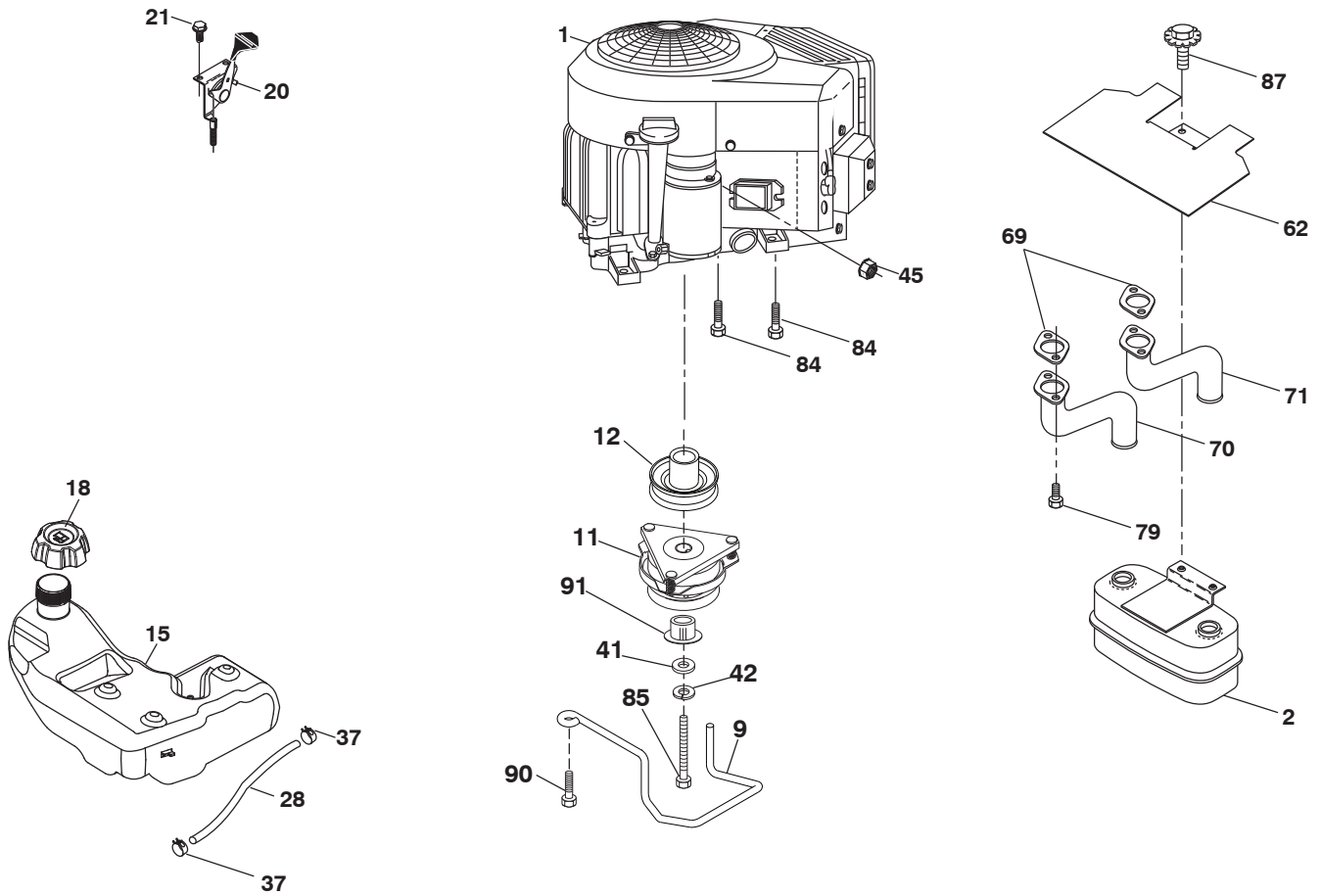


# TRACTEUR - NO. DE MODÈLE LGTH22V48 (96048004300), NO. DE PRODUIT 960 48 00-43 ENTRAÎNEMENT

NO. DE RÉF.	NO DE PIÈCE	DESCRIPTION	NO. DE RÉF.	NO DE PIÈCE	DESCRIPTION
1	---	Transmission, TUFFTORQ K46AW (448354) (Pièces d'ordre de fabricant de transaxle.)	167	532 40 52-57	Loquet
2	532 18 62-11	Clé	170	532 41 34-30	Guide-courroie
7	532 19 98-44	Moyeu roue arrière 22" TX GT .06	174	532 19 72-89	Rondelle frein
9	532 14 00-80	Boulon	175	532 40 62-08	Ensemble de l'arbre
15	819 13 13-16	Rondelle 13/32 x 13/16 x 16 Ja.	176	532 19 62-14	Bras d'embrayage
17	532 41 36-78	Ressort	178	532 19 74-56	Ressort de changement
22	532 19 73-29	Tige de changement	183	532 40 04-24	Entretoise fendue
23	532 14 08-45	Bouton	184	532 44 14-55	Poignée de frein de stationnement
29	532 40 38-06	Tige du frein	185	872 11 06-22	Boulon
33	812 00 00-01	Bague en E	186	532 19 43-21	Ressort de retenue
35	532 43 54-86	Tige du frein de stationnement	187	819 13 32-10	Rondelle
42	532 12 48-72	Couverture de la pédale	188	532 19 43-23	Raccord d'embrayage
49	872 11 06-14	Boulon	189	532 19 43-17	Levier coudé
50	532 19 43-27	Poulie du galet-tendeur	190	532 19 43-18	Garde du courraie
51	873 90 06-00	Écrou frein 3/8-16	196	817 00 06-16	Vis 3/8-16 x 1
52	532 19 43-26	Galet-tendeur	197	532 19 97-69	Tige
56	532 13 09-69	Courroie trapézoïdale	205	532 12 17-48	Rondelle 25/32 x 1-5/8 x 16 Ja.
64	532 19 62-00	Ensemble de l'arbre	211	532 19 62-12	Support poulie du galet-tendeur
70	532 43 96-60	De l'aile Console	216	532 19 61-31	Réflecteur C.D.
73	874 49 05-60	Boulon 5/16-18 x 3.75	220	532 19 89-08	Douille
74	532 14 24-32	Vis 1/4 x 1/2 unc	221	532 40 31-87	Ressort de retenue
80	532 44 06-19	Support	225	532 40 33-19	Garde du courroie
99	532 41 57-43	Tige de derivation	226	532 40 08-31	Support
116	873 90 05-00	Écrou frein 5/16-18	227	817 49 05-12	Vis 5/16-18 x 3/4
125	817 00 05-12	Vis 5/16-18 x 3/4	230	532 18 89-67	Rondelle
143	817 49 05-08	Vis 5/16-18 x 1/2	231	532 40 72-87	Galet-tendeur 1.688"
153	532 12 47-88	Ressort de retenue	233	532 40 52-96	Rondelle
159	876 02 04-12	Goupille fendue 1/8 x 3/4	276	874 78 07-16	Boulon 7/16-14 x 1 Cat. 5
160	532 16 94-84	Collier de retenue	279	532 40 62-07	Tige
161	532 10 57-09	Ressort de rappel d'embrayage			
162	532 19 57-85	Essieu d'entretoise 18 and 22			
166	532 42 91-64	Poussez l'écrou .625			

**REMARQUE:** Toutes les dimensions de composant sont données en pouces É.-U. --1 pouce = 25,4 mm

TRACTEUR - NO. DE MODÈLE LGTH22V48 (96048004300), NO. DE PRODUIT 960 48 00-43  
MOTEUR



29  
**ÉQUIPMENTS FACULTATIFS  
PARA-ÉTINCELLES**

engine-tex\_bs-2cyl\_77

# TRACTEUR - NO. DE MODÈLE LGTH22V48 (96048004300), NO. DE PRODUIT 960 48 00-43 MOTEUR

NO. DE RÉF.	NO DE PIÈCE	DESCRIPTION
1	---	Moteur B&S de modèle 40H777-0025-G5 (581557601) (Commandez les pièces du fabricant du moteur.)
2	532 44 59-62	Silencieux
9	532 19 43-20	Ensemble de la guide courroie du moteur
11	532 17 93-35	Embrayage électrique
12	532 19 43-43	Poulie
15	532 19 34-99	Réservoir d'essence
18	532 43 96-45	Chapeau
20	532 42 35-02	Commande des gaz/starter
21	532 41 63-58	Vis #10 x 0.750
28	532 14 21-58	Conduite d'essence
29	532 13 71-80	Jeu de pare - étincelles
37	532 12 34-87	Bride de serrage de tuyau
41	532 12 61-97	Rondelle 1-1/2 OD x 15/32 ID x .250
42	810 04 07-00	Rondelle frein 7/16
45	873 51 04-00	Écrou H 1/4-20 unc
62	532 43 40-17	Déflexeur de débris
69	532 16 53-91	Garniture de silencieux
70	532 15 99-55	Tube C.G.
71	532 16 05-89	Tube C.D.
79	532 18 39-06	Vis 5/16-18 x .75
84	817 06 06-20	Vis 3/8-16 x 1
85	532 17 99-53	Boulon H 7/16-20 x 3.75
87	532 17 18-77	Boulon 5/16-18 unc x 1 avec sems
90	817 00 06-16	Vis 3/8-16 x 1
91	532 18 74-95	Douille

**REMARQUE:** Toutes les dimensions de composant sont données en pouce d'E.-U. - - 1 pouce = 25,4 mm.

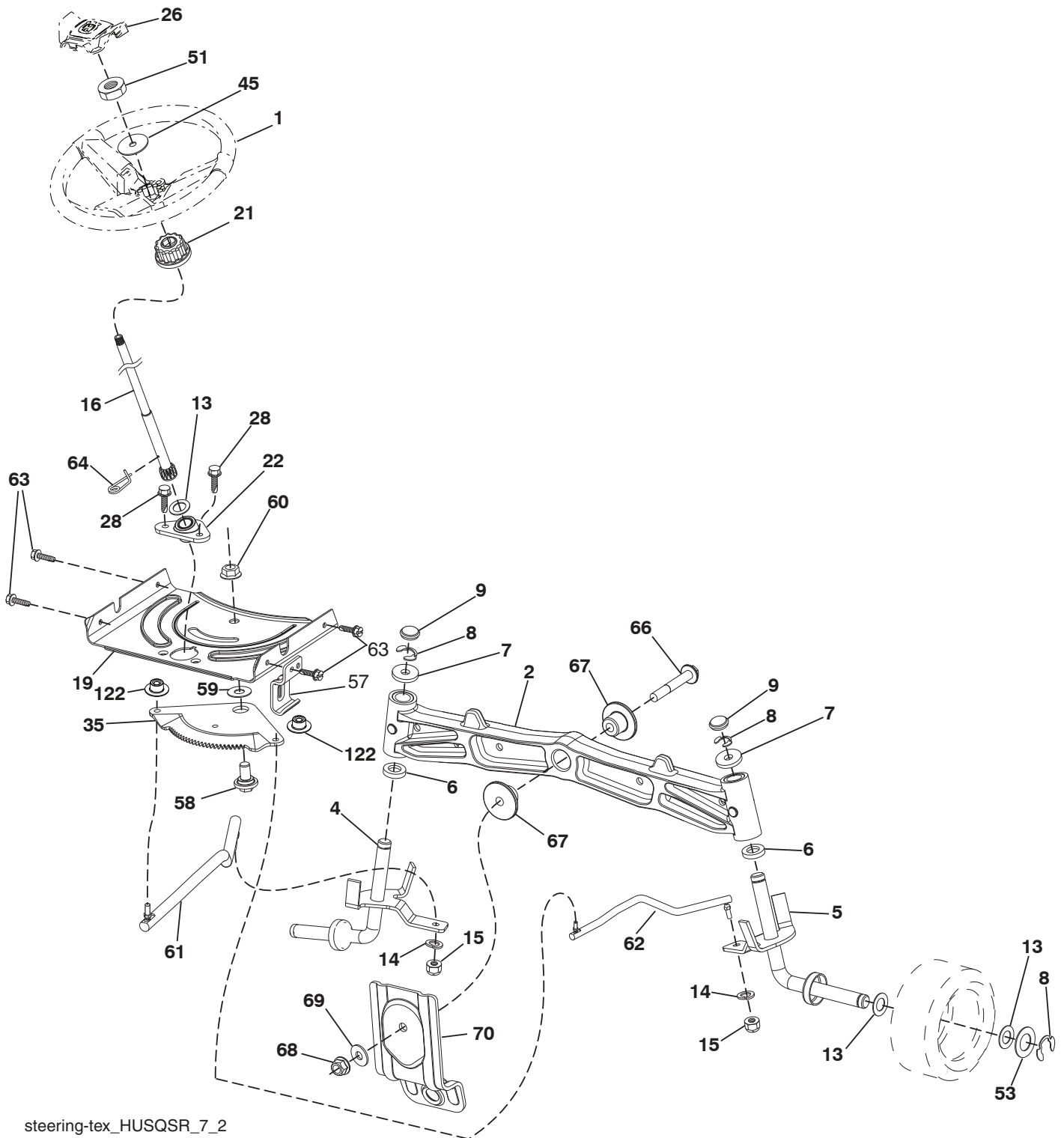
Pour des pièces de service et de rechange de moteur, réclamez le numéro de téléphone libre pour votre fabricant de moteur énuméré ci-dessous:

Briggs & Stratton                      1-800-233-3723

## Informations concernant la puissance théorique du moteur

La puissance brute pour chaque Modèle de moteur à essence est indiquée conformément au code J1940 (procédure de calcul de la puissance et du couple des petits moteurs) de la SAE (Society of Automotive Engineers) et les performances théoriques ont été obtenues et corrigées selon SAE J1995 (révision 2002-05). Les valeurs de couple sont calculées sur la base de 3060tr/min et celles de puissance sur la base de 3600tr/min. La puissance brute réelle du moteur peut être plus faible notamment à cause des conditions de fonctionnement et des variations d'un moteur à l'autre. Compte tenu de la grande variété de machines sur lesquelles nos moteurs sont utilisés et du nombre de problèmes environnementaux applicables au fonctionnement des équipements, il se peut que le moteur à essence ne développe pas sa puissance théorique une fois qu'il est monté sur une machine particulière (puissance nette ou réelle «sur site»). Cette différence s'explique par un grand nombre de facteurs, tels que (liste non limitative): accessoires (filtre à air, échappement, admission, refroidissement, carburateur, pompe à essence, etc.), limites d'utilisation, conditions ambiantes d'utilisation (température, humidité, altitude) et variations d'un moteur à l'autre. Pour des raisons de fabrication et de capacité limitées, Briggs & Stratton est susceptible de remplacer ce Modèle par un moteur plus puissant.

TRACTEUR - NO. DE MODÈLE LGTH22V48 (96048004300), NO. DE PRODUIT 960 48 00-43  
ENSEMBLE DE LA DIRECTION



steering-tex\_HUSQSR\_7\_2

**TRACTEUR - NO. DE MODÈLE LGTH22V48 (96048004300), NO. DE PRODUIT 960 48 00-43  
ENSEMBLE DE LA DIRECTION**

<b>NO. DE RÉF.</b>	<b>NO DE PIÈCE</b>	<b>DESCRIPTION</b>
1	532 43 97-40	Volant de direction
2	532 19 59-68	Essieu
4	532 40 30-89	Ensemble de la broche C.G.
5	532 40 30-90	Ensemble de la broche C.D.
6	532 12 49-31	Palier de butée durci
7	532 12 17-48	Rondelle 25/32 x 1-5/8 x 16 Ja.
8	812 00 00-29	Rondelle clip n°T5304-75
9	532 12 12-32	Chapeau de broche
13	532 12 17-49	Rondelle 25/32 x 1-1/4 x 16 Ja.
14	810 04 06-00	Rondelle frein 3/8
15	873 54 06-00	Écrou frein 3/8-24 unf
16	532 40 82-19	Arbre de direction
19	532 19 47-29	Arbre de plaque
21	532 18 67-37	Adaptateur du volant de direction
22	532 42 05-37	Support de direction inférieur
26	532 43 97-43	Insert de chapeau du volant de direction
28	817 00 06-12	Vis 3/8-16 x 3/4
35	532 19 47-32	Secteur denté
45	819 18 38-12	Rondelle 9/16 x 2-3/8 x 12 Ja.
51	873 94 08-00	Contre-écrou 1/2-20 unf
53	532 18 89-67	Rondelle .793 x 1.637 x .060
57	532 19 72-46	Support
58	532 19 47-47	Boulon à épaulement
59	532 19 47-48	Rondelle
60	873 97 10-00	Écrou frein à collet 5/8-11
61	532 19 47-40	Barre de direction C.G.
62	532 19 47-41	Barre de direction C.D.
63	817 00 05-12	Vis 5/16-18 x 3/4
64	532 19 98-49	Collier de retenue
66	871 02 07-48	Boulon H 7/16-14 x 3
67	532 19 47-37	Douille
68	873 90 07-00	Écrou frein à collet 7/16-14 Cat. 5
69	532 19 91-62	Rondelle 1.5 x .505 x .118
70	532 19 61-97	Support
122	532 44 49-62	Chapeau

**REMARQUE:** Toutes les dimensions de composant sont données en pouces E.-U. --1 pouce = 25,4 mm

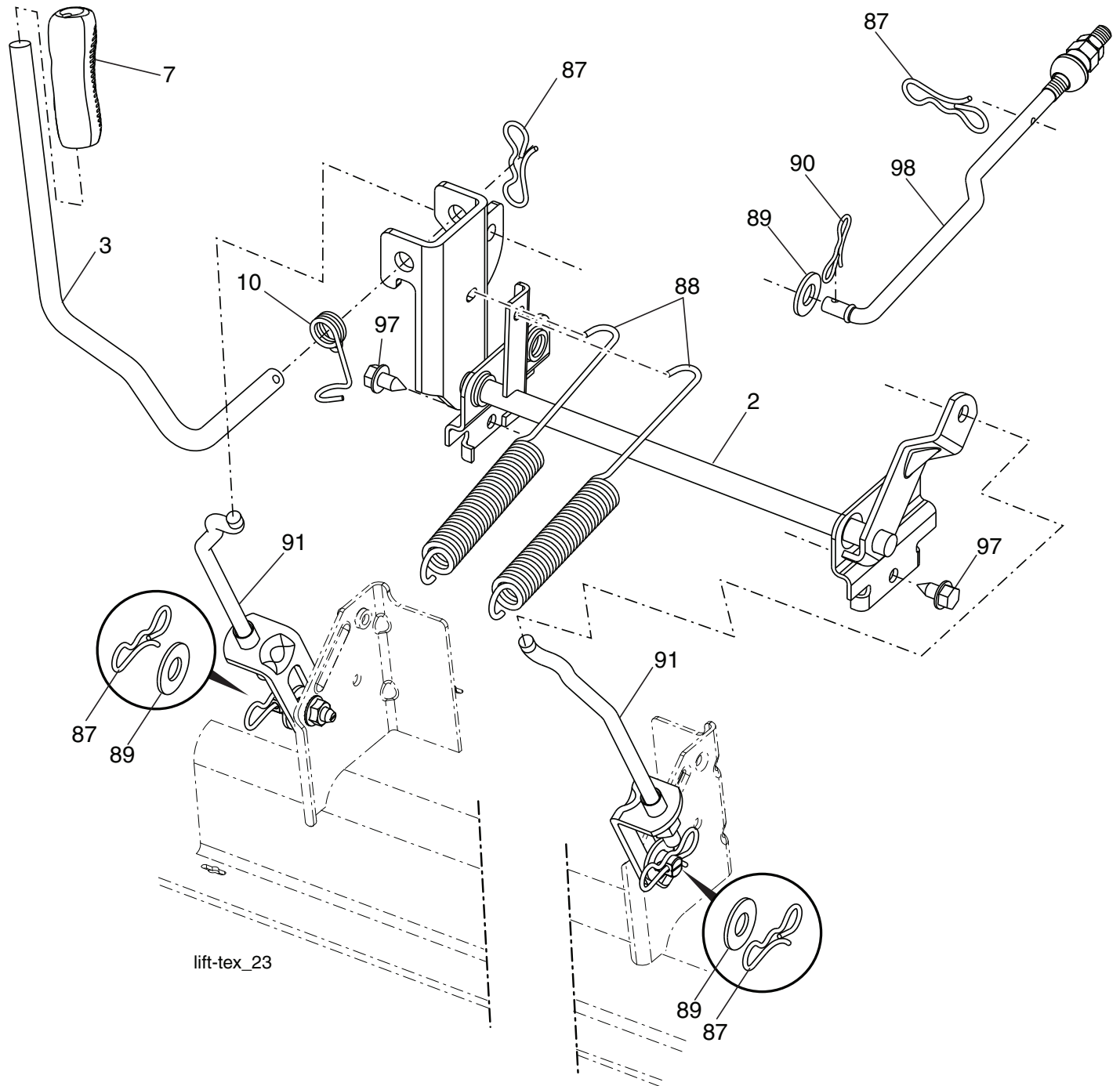


**TRACTEUR - NO. DE MODÈLE LGTH22V48 (96048004300), NO. DE PRODUIT 960 48 00-43  
CARTER DE TONDEUSE**

NO. DE RÉF.	NO DE PIÈCE	DESCRIPTION	NO. DE RÉF.	NO DE PIÈCE	DESCRIPTION
1	532 44 12-93	Logement De Tondeuse À Gazon	97	532 17 85-15	Rondelle
6	532 19 72-48	Louverture Du Mandrin C.G.	98	532 19 61-05	Ressort
7	532 19 91-02	Louverture Du Mandrin C.D.	113	872 11 05-08	Boulon 5/16-18 X 3/4
8	532 19 30-03	Boulon/Rondelle 7/16-20 Unf	114	532 19 74-51	Tige
11	532 18 00-54	Tondeuse À Gazon De Lame	116	532 19 34-06	Boulon
12	532 40 48-51	Tige	117	532 17 48-73	Roue
13	532 18 72-91	Ensamble D'arbre, Mandrin	120	819 13 20-12	Rondelle 13/32 X 1-1/4 X 12 Ja.
14	532 18 72-81	Carter de Mandrin	122	532 18 75-57	Coussinet
15	532 11 04-85	Palier	185	873 90 07-00	Écrou Frein 7/16-14 Cat. 5
16	819 13 13-12	Rondelle 13/32 X 13/16 X 12 Ja.	187	532 19 51-61	Attache À Tenon
17	872 11 05-05	Boulon 5/16-18 X 5/8	188	873 90 05-00	Écrou Frein
18	872 14 05-05	Boulon 5/16-18 X 5/8	189	532 19 51-85	Écrou
19	532 19 42-08	Goupille Fendue 5/16	190	532 19 65-39	Boulon
20	532 17 43-78	Chicane	194	874 49 07-36	Boulon 7/16 - 24
21	873 68 05-00	Écrou	241	532 15 29-27	Vis #10-32.5 3/8
22	532 17 44-93	Mandrin	242	532 41 55-98	Raccord De Lavage
24	532 10 53-04	Chapeau	--	532 18 72-92	Ensemble De Mandrin
25	532 17 81-02	Ressort, La Torsion, Le Déflecteur			Ensemble Du Mandrin (Inclut
26	532 11 04-52	Écrou			Boîtier (Key #14), Ensemble
27	532 18 17-07	Garde du Déflecteur			Arbe (Key #13), Et Palier
29	532 13 14-91	Tige			(Key #15) Seulement -
30	532 17 39-84	Vis			Poulie/Écrou/Rondelle Et
31	532 18 76-90	Rondelle, Plus Spatial			Lame, Boulon/Rondelle Ne
32	532 15 35-32	Poulie de Mandrin			Pas Inclut.)
33	532 40 02-34	Écrou	--	532 41 82-23	La Tondeuse À Gazon De
39	532 19 73-80	Poulie 4.50 Moyeu D'a			Remplacement, Compléter
43	532 19 60-65	Ressort De Torsion Du Arrétoir	--	532 41 64-05	Connecter D'accouplement Du
46	532 13 77-29	Vis			Rapide
47	532 19 72-42	Courroie Trapézoïdale De La Tondeuse			
48	532 19 73-79	Poulie De Tension 4.50 Raw			
49	873 90 06-00	Écrou Frein 3/8-16 Unc			
50	817 49 06-36	Boulon 3/8-16 Unc X X 2-1/4			
52	532 19 31-97	Poulie 48" Principal			
54	872 11 06-12	Boulon 3/8-16 X 1-1/2 Cat.5			

**REMARQUE:** Toutes les dimensions de composant sont données en pouces É.-U. --1 pouce = 25,4 mm

**TRACTEUR - NO. DE MODÈLE LGTH22V48 (96048004300), NO. DE PRODUIT 960 48 00-43  
LEVAGE DE TONDEUSE**



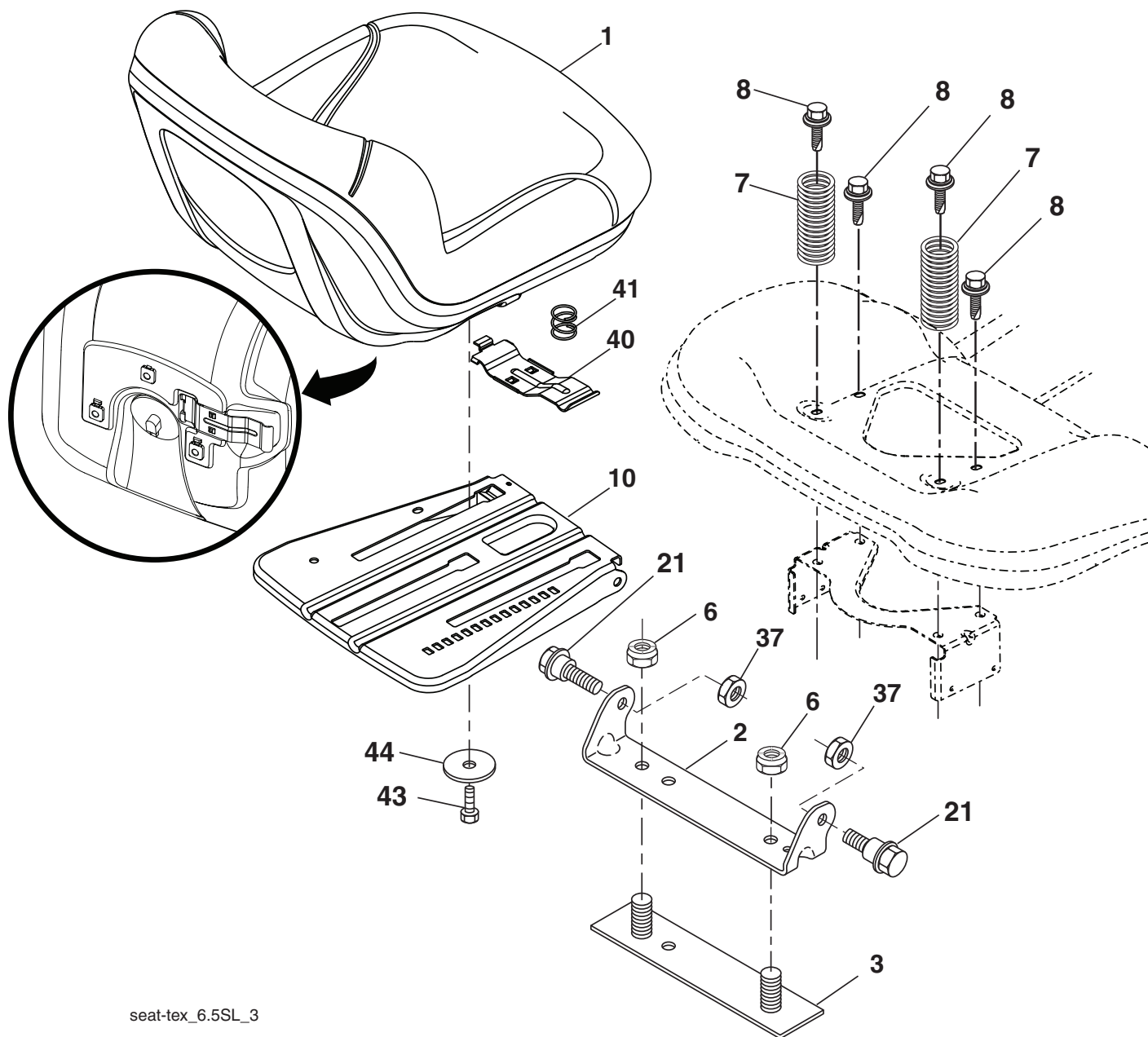
NO. DE RÉF.	NO DE PIÈCE	DESCRIPTION
2	532 42 20-27	Ensemble de l'arbre
3	532 19 52-30	Ensemble de l'arbre de levage C.D.
7	580 96 23-01	Poignée cannelée du levier
10	532 19 63-14	Ressort de Torsion
87	532 19 42-09	Goupille fendue 7/16
88	532 19 53-04	Ressort de retenue
89	819 19 19-12	Rondelle

NO. DE RÉF.	NO DE PIÈCE	DESCRIPTION
90	532 19 42-08	Goupille fendue 5/16
91	532 19 79-84	Raccord de levage
97	817 00 06-12	Vis 3/8-16 x 3/4
98	532 19 52-64	Raccord de levage

**REMARQUE:** Toutes les dimensions de composant sont données en pouces É.-U. --1 pouce = 25,4 mm



**TRACTEUR - NO. DE MODÈLE LGTH22V48 (96048004300), NO. DE PRODUIT 960 48 00-43  
ENSEMBLE DU SIÈGE**

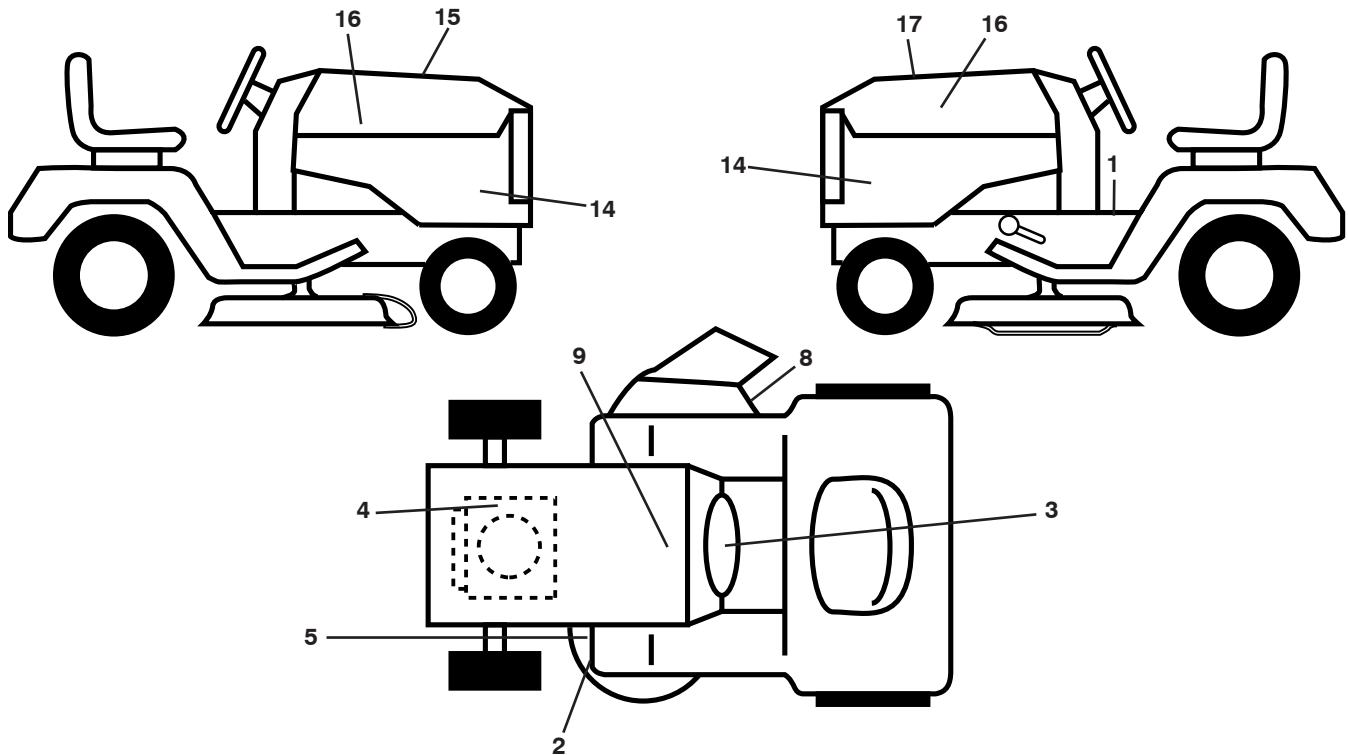


seat-tex\_6.5SL\_3

NO. DE RÉF.	NO DE PIÈCE	DESCRIPTION	NO. DE RÉF.	NO DE PIÈCE	DESCRIPTION
1	532 44 32-63	Siège	37	873 80 05-00	Écrou frein 5/16-18 unc
2	532 18 01-66	Support de pivot	40	532 19 76-61	Guidon
3	532 14 06-75	Attache de l'ensemble de l'aile	41	532 19 82-00	Ressort de compression
6	873 80 06-00	Écrou frein H avec insert 3/8-16 unc	43	874 76 06-12	Boulon 3/8-16 x 3/4
7	532 12 41-81	Ressort de compression du siège	44	819 13 38-12	Rondelle 13/32 x 2-3/8 x 12 Ja.
8	532 17 18-77	Boulon 5/16-18 unc x 3/4			
10	532 19 69-77	Cuvette du siège			
21	532 17 18-52	Boulon à épaulement 5/16-18			

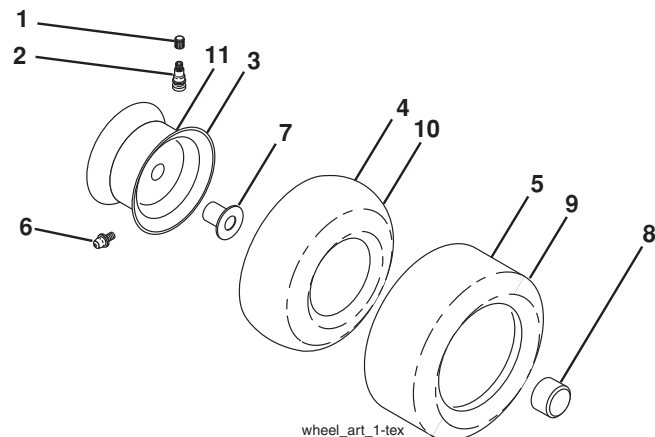
**REMARQUE:** Toutes les dimensions de composant sont données en pouces E.-U. --1 pouce = 25,4 mm

**TRACTEUR - NO. DE MODÈLE LGTH22V48 (96048004300), NO. DE PRODUIT 960 48 00-43  
DÉCALCOMANIE**



NO. DE RÉF.	NO DE PIÈCE	DESCRIPTION	NO. DE RÉF.	NO DE PIÈCE	DESCRIPTION
1	532 41 16-58	Décalcomanie avertissement	16	581 62 73-01	Décalcomanie du capot
2	532 17 05-63	Décalcomanie tondeuse	17	581 51 17-01	Décalcomanie de pièces de rechange
3	532 43 52-86	Décalcomanie d'avertissement	--	532 16 69-60	Décalcomanie dérivation
4	532 43 29-14	Décalcomanie	--	532 43 98-82	Coussin d' repose-pied C.G.
5	532 17 84-55	Décalcomanie attention	--	532 44 15-42	Coussin d' repose-pied C.D.
8	532 19 87-85	Décalcomanie de tondeuse	--	581 57 02-32	Manuel de l'opérateur (Anglais/Français)
9	532 14 50-05	Décalcomanie de danger/poison de la batterie	--	581 57 03-27	Manuel de pièces de rechange (Anglais/Français)
14	581 56 97-01	Décalcomanie			
15	532 42 38-29	Décalcomanie du panneau latéral			

**ROUES & PNEUS**



wheel\_art\_1-tex

NO. DE RÉF.	NO DE PIÈCE	DESCRIPTION
1	532 05 91-92	Capuchon de la valve du pneu
2	532 06 51-39	Tubulure de la valve
3	532 18 18-39	Ensemble de la jante antérieure
4	532 00 81-34	Chambre à air antérieure (non fournie)
5	532 10 62-30	Pneu antérieur
6	532 12 49-57	Graisseur (roue antérieure seulement)
7	532 12 49-59	Palier à bride (roue antérieure seulement)
8	532 17 50-39	Chapeau de l'essieu
9	532 18 47-08	Pneu arrière
10	532 00 71-54	Chambre à air arrière (non fournie)
11	532 40 17-82	Ensemble de la jante arrière
--	532 14 43-34	Joint d'étanchéité de pneu (tube de .30L [10 oz. Tube])

**REMARQUE:** Toutes les dimensions de composant sont données en pouces É.-U. --1 pouce = 25,4 mm

---

**SERVICE NOTES  
REMARQUES D'ENTRETIEN**

---

**01/10/2013 BD**