

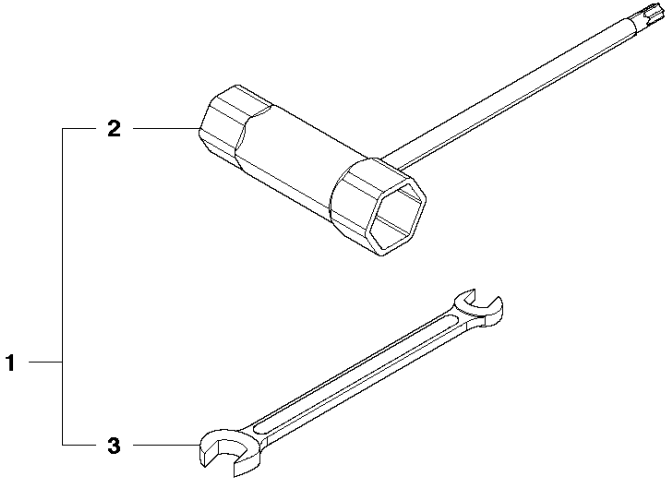


SPARE PARTS LIST

HEDGE TRIMMERS/POLE HEDGE
TRIMMERS

226HS99S EUII, 967279702, 2014-04

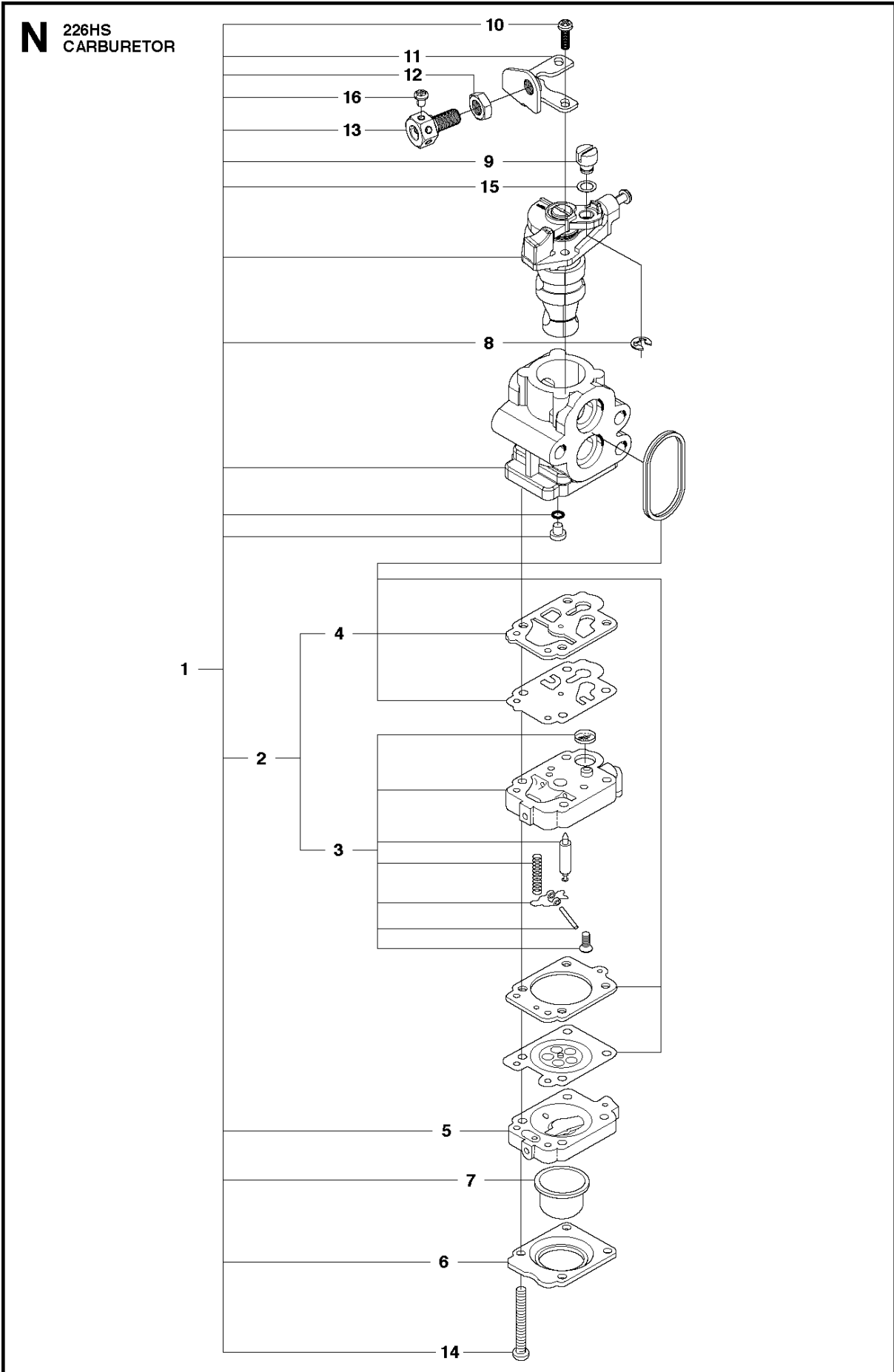
P 226HS
ACCESSORIES



ACCESSORIES

226HS99S EUII, 967279702, 2014-04

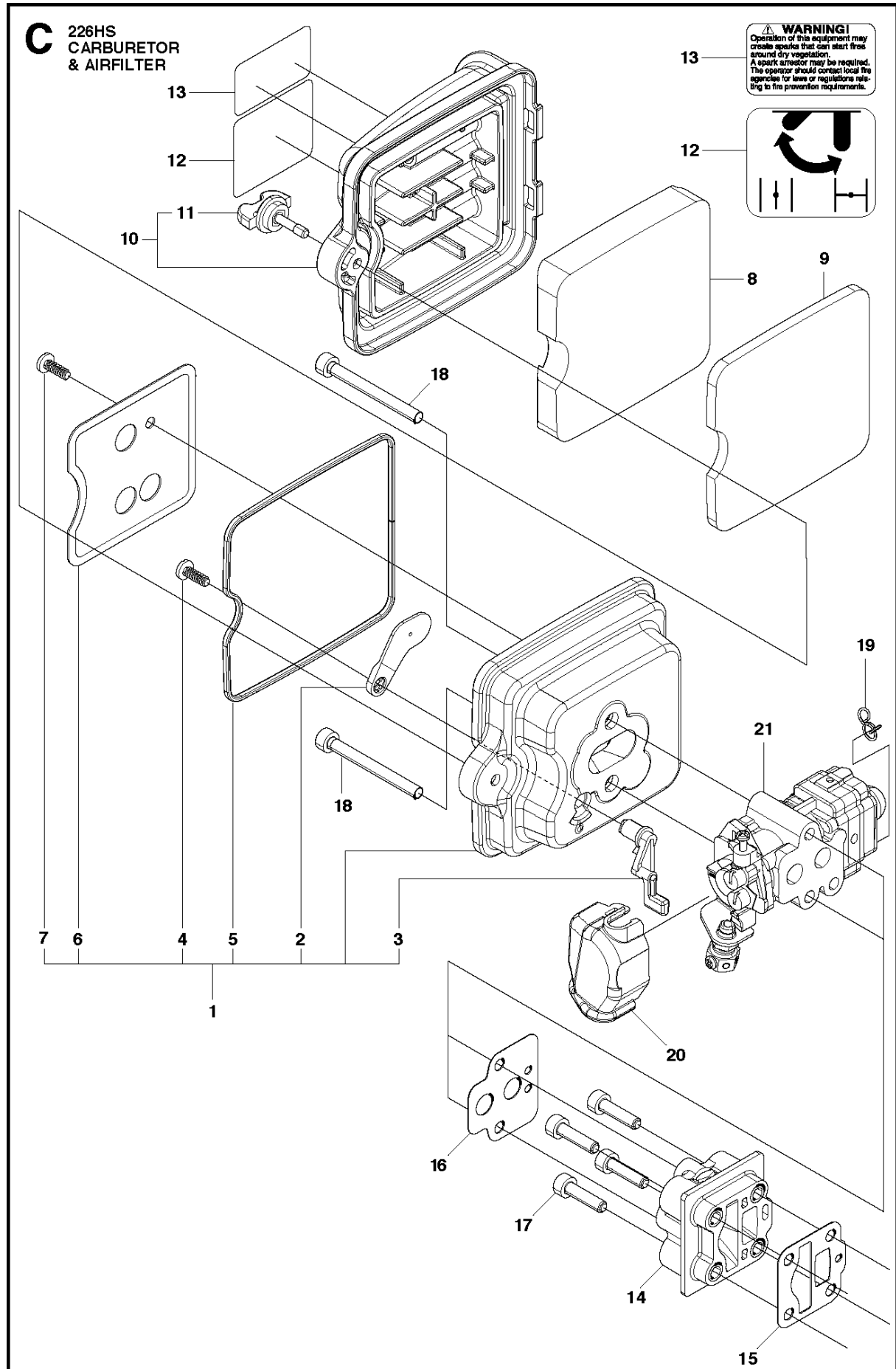
| Ref | Part No | Description | Remark | QTY | KIT |
|-----|--------------|--------------------|--------|-----|-----|
| 1 | 521 83 99-01 | TOOL-SET | | 1 | |
| 2 | 506 68 61-01 | COMBINATION WRENCH | | 1 | 1 |
| 3 | 506 61 50-01 | SPANNER | | 1 | 1 |



CARBURETOR

226HS99S EUII, 967279702, 2014-04

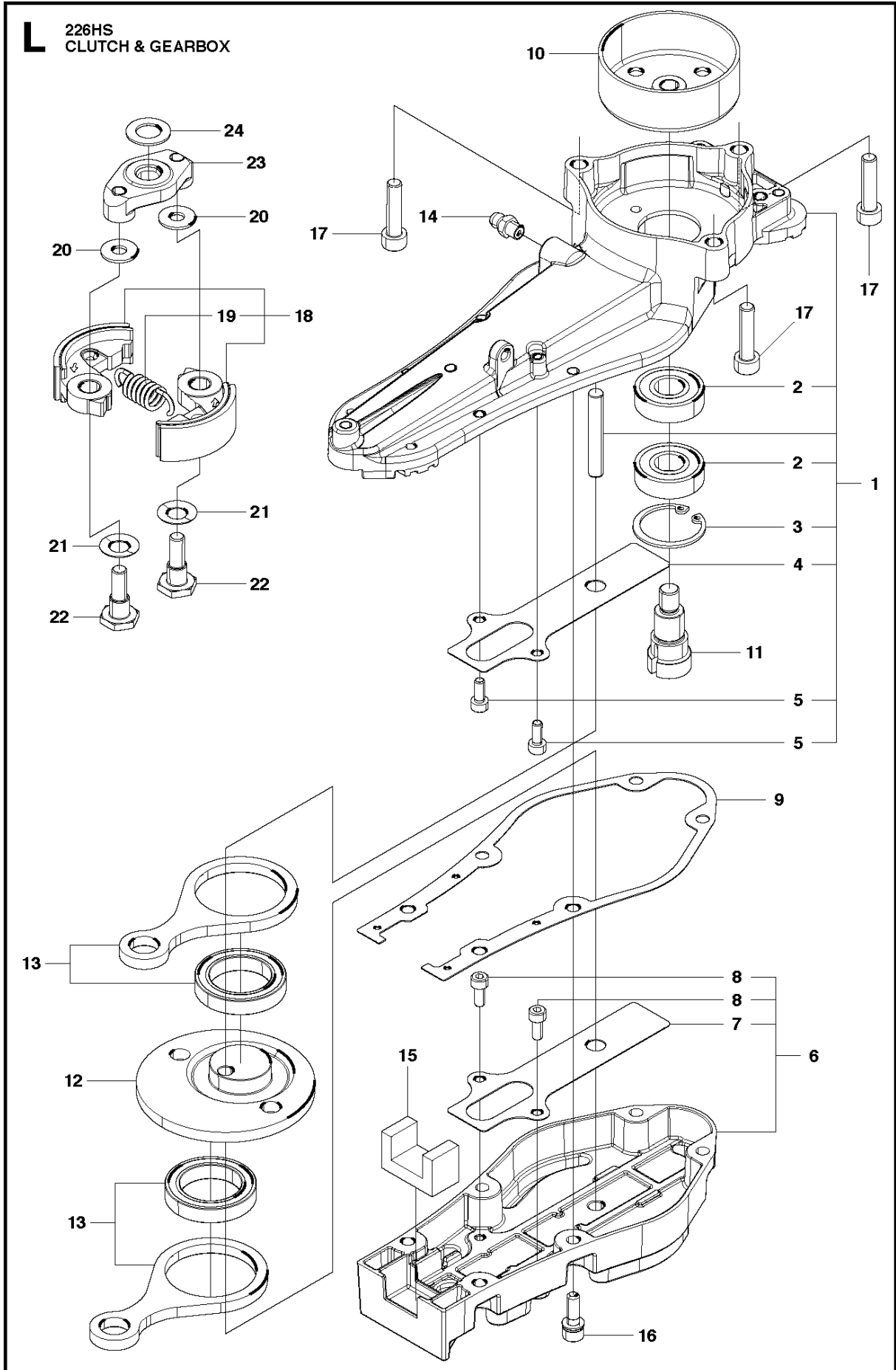
| Ref | Part No | Description | Remark | QTY | KIT |
|-----|--------------|------------------|--------|-----|------|
| 1 | 586 43 44-01 | CARBURETTOR | | 1 | |
| 2 | 528 07 01-01 | REBUILD KIT | | 1 | 1 |
| 3 | 502 23 84-01 | CARBURETTOR BODY | | 1 | 1, 2 |
| 4 | 515 37 87-01 | GASKET KIT | | 1 | 1, 2 |
| 5 | 506 74 09-01 | BODY | | 1 | 1 |
| 6 | 506 74 10-01 | COVER | | 1 | 1 |
| 7 | 505 30 67-01 | PUMP | | 1 | 1 |
| 8 | 506 73 86-01 | RING | | 1 | 1 |
| 9 | 506 74 12-01 | SWIVEL | | 1 | 1 |
| 10 | 505 30 79-01 | SCREW | | 2 | 1 |
| 11 | 506 74 60-01 | BRACKET | | 1 | 1 |
| 12 | 506 61 26-01 | NUT | | 1 | 1 |
| 13 | 505 30 82-01 | SCREW-CABLE-ADJ | | 1 | 1 |
| 14 | 506 74 11-01 | SCREW | | 4 | 1 |
| 15 | 506 74 61-01 | WASHER | | 1 | 1 |
| 16 | 505 30 83-01 | SCREW | | 1 | 1 |



CARBURETOR & AIR FILTER

226HS99S EU11, 967279702, 2014-04

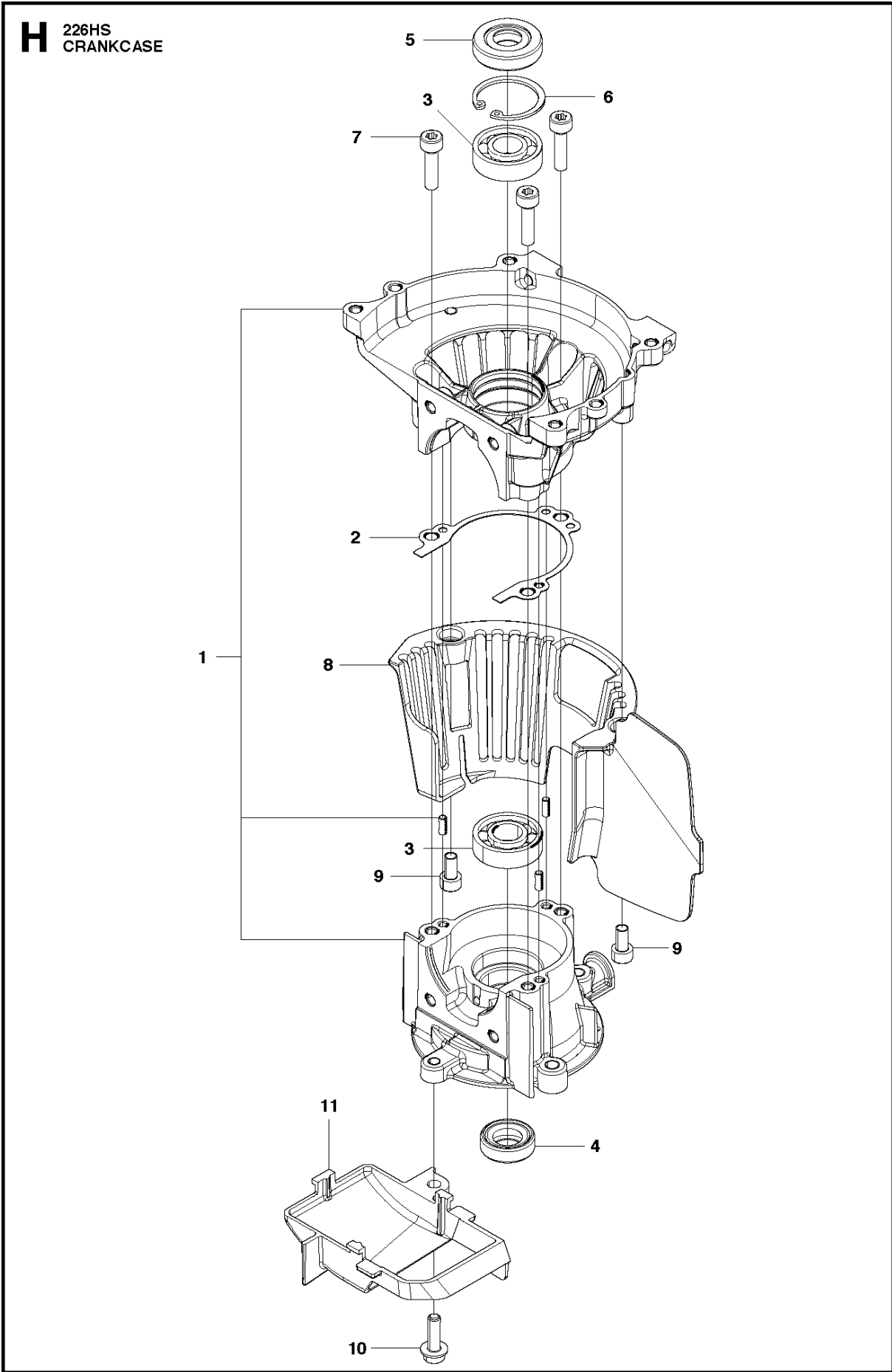
| Ref | Part No | Description | Remark | QTY | KIT |
|-----|--------------|-------------|---------|-----|-----|
| 1 | 511 35 92-01 | BODY&SCREEN | | 1 | |
| 2 | 506 68 43-01 | PLATE.CHOKE | | 1 | 1 |
| 3 | 521 76 05-01 | LEVER CHOKE | | 1 | 1 |
| 4 | 581 73 62-01 | SCREW | | 1 | 1 |
| 5 | 521 75 13-01 | PACKING | | 1 | 1 |
| 6 | 521 60 79-01 | SCREEN | | 1 | 1 |
| 7 | 581 73 62-01 | SCREW | | 1 | 1 |
| 8 | 523 09 00-01 | FILTER | | 1 | |
| 9 | 523 07 11-01 | FILTER | | 1 | |
| 10 | 523 07 12-01 | COVER | | 1 | |
| 11 | 523 07 13-01 | KNOB | | 1 | 10 |
| 12 | 574 29 97-01 | LABEL | | 1 | |
| 13 | 523 07 14-01 | LABEL | US only | 1 | |
| 14 | 511 34 97-01 | INSULATOR | | 1 | |
| 15 | 511 35 00-01 | GASKET.INSU | | 1 | |
| 16 | 521 75 50-01 | GASKET | | 1 | |
| 17 | 506 68 90-01 | BOLT | | 4 | |
| 18 | 504 11 65-01 | SCREW | | 2 | |
| 19 | 506 74 15-01 | CLIP | | 1 | |
| 20 | 506 74 42-01 | COVER | | 1 | |
| 21 | 586 43 44-01 | CARBURETTOR | | 1 | |



CLUTCH

226HS99S EUII, 967279702, 2014-04

| Ref | Part No | Description | Remark | QTY | KIT |
|-----|--------------|-------------|--------|-----|-----|
| 1 | 586 93 71-01 | GEAR CASE | | 1 | |
| 2 | 529 26 98-01 | BEARING | | 2 | 1 |
| 3 | 506 60 99-01 | RING | | 1 | 1 |
| 4 | 506 62 69-01 | PLATE | | 1 | 1 |
| 5 | 506 68 88-01 | BOLT | | 2 | 1 |
| 6 | 586 93 72-01 | GEAR CASE | | 1 | |
| 7 | 506 62 69-01 | PLATE | | 1 | 6 |
| 8 | 506 68 88-01 | BOLT | | 2 | 6 |
| 9 | 506 68 83-01 | GASKET | | 1 | |
| 10 | 506 61 95-01 | DRUM | | 1 | |
| 11 | 506 62 72-01 | GEAR | | 1 | |
| 12 | 506 68 87-01 | GEAR | | 1 | |
| 13 | 586 93 75-01 | ROD | | 2 | |
| 14 | 505 17 15-01 | FITTING | | 1 | |
| 15 | 506 68 89-01 | FELT | | 1 | |
| 16 | 575 70 10-01 | SCREW | | 6 | |
| 17 | 521 51 75-01 | BOLT | | 3 | |
| 18 | 506 62 94-01 | CLUTCH | | 1 | |
| 19 | 506 68 58-01 | SPRING | | 1 | 18 |
| 20 | 505 05 44-01 | WASHER | | 2 | |
| 21 | 506 61 38-01 | WASHER | | 2 | |
| 22 | 506 65 22-01 | BOLT | | 2 | |
| 23 | 506 65 21-01 | PLATE | | 1 | |
| 24 | 506 61 42-01 | WASHER | | 1 | |

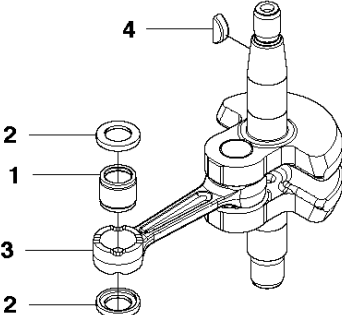


CRANKCASE

226HS99S EUII, 967279702, 2014-04

| Ref | Part No | Description | Remark | QTY KIT |
|-----|--------------|-------------|--------|---------|
| 1 | 506 63 84-01 | CRANKCASE | | 1 |
| 2 | 506 68 48-01 | GASKET | | 1 |
| 3 | 506 61 03-01 | BEARING | | 2 |
| 4 | 504 12 15-01 | SEALING | | 1 |
| 5 | 506 61 29-01 | SEAL | | 1 |
| 6 | 506 60 99-01 | RING | | 1 |
| 7 | 504 11 43-01 | SCREW | | 3 |
| 8 | 506 62 96-01 | PLATE | | 1 |
| 9 | 504 11 96-01 | SCREW | | 2 |
| 10 | 506 74 56-01 | BOLT | | 1 |
| 11 | 506 65 71-01 | DEFLECTOR | | 1 |

J 226HS
CRANK SHAFT

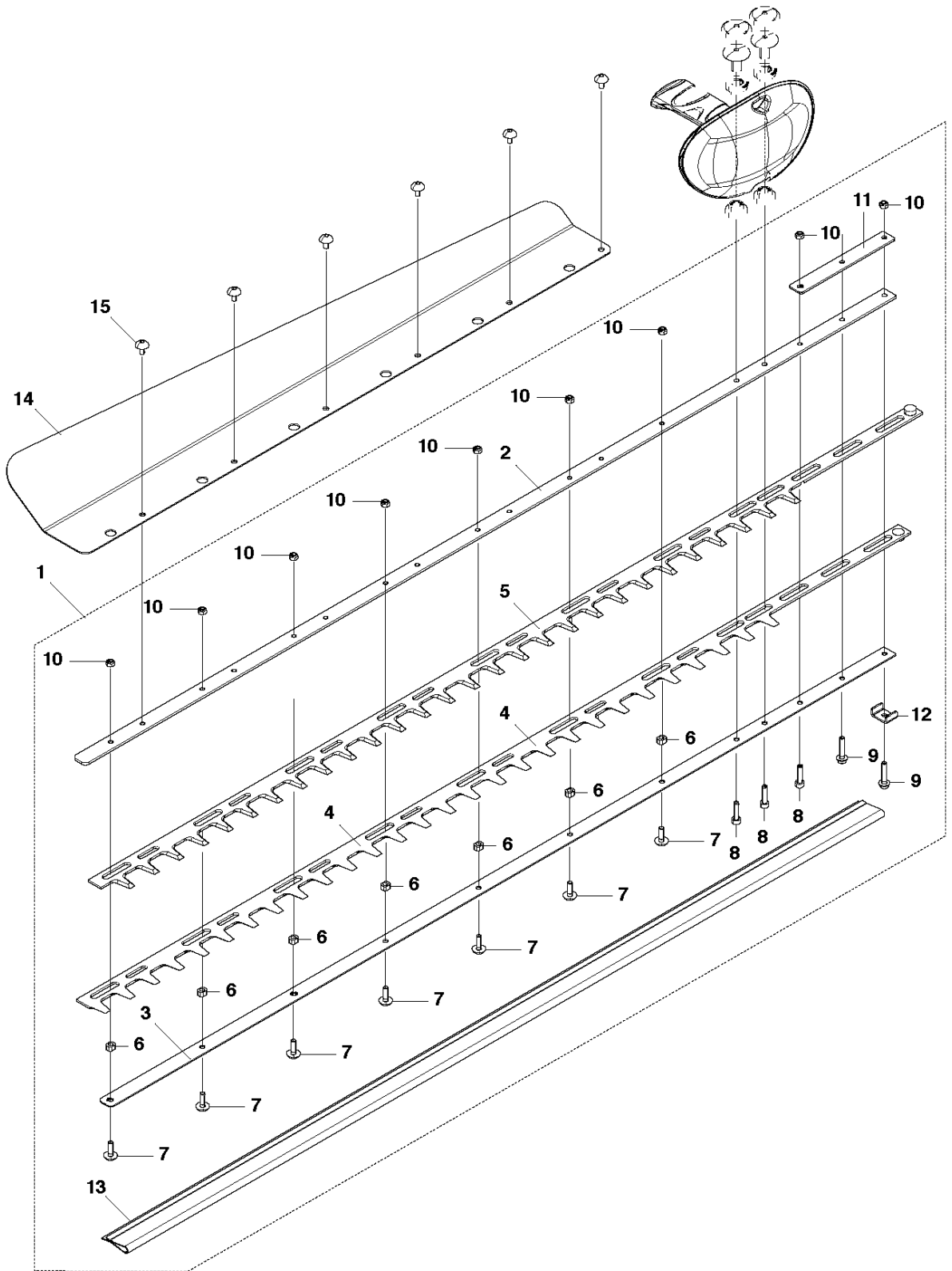


CRANKSHAFT

226HS99S EUII, 967279702, 2014-04

| Ref | Part No | Description | Remark | QTY KIT |
|-----|--------------|-------------|--------|---------|
| 1 | 506 68 50-01 | BEARING | | 1 |
| 2 | 505 04 10-01 | WASHER | | 2 |
| 3 | 506 65 18-01 | CRANKSHAFT | | 1 |
| 4 | 506 68 94-01 | KEY | | 1 |

M2 226HS99
CUTTING EQUIPMENT

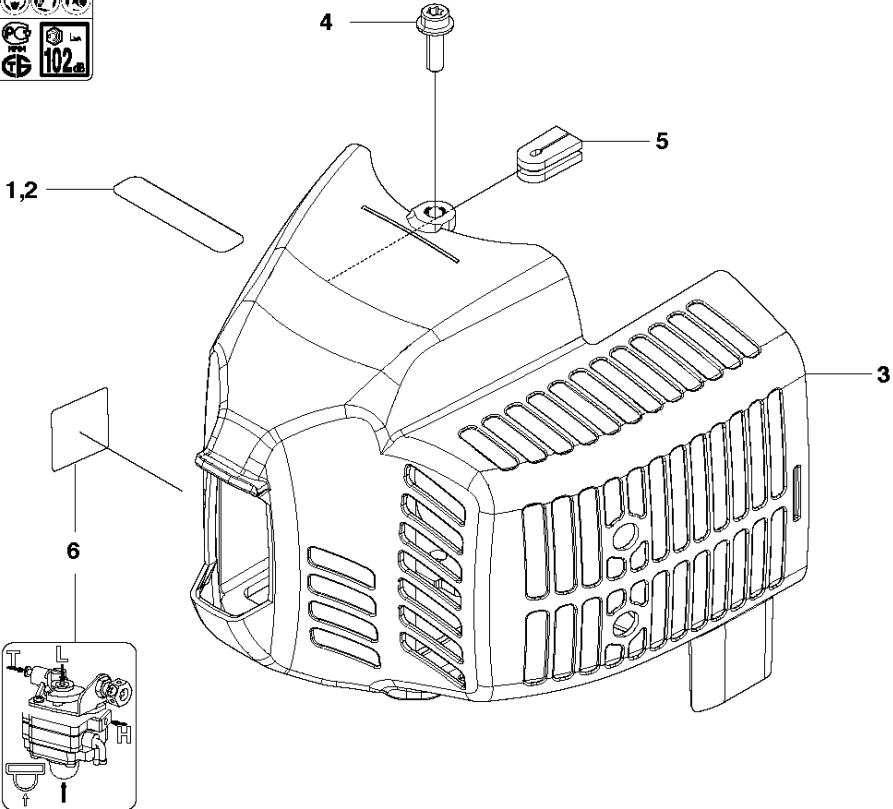


CUTTING EQUIPMENT

226HS99S EUII, 967279702, 2014-04

| Ref | Part No | Description | Remark | QTY | KIT |
|-----|--------------|---------------|--------|-----|-----|
| 1 | 586 55 30-01 | BLADE | | 1 | |
| 2 | 527 89 04-01 | PLATE,UPPER | | 1 | 1 |
| 3 | 527 89 05-01 | PLATE,LOWER | | 1 | 1 |
| 4 | 506 62 81-01 | BLADE | | 1 | 1 |
| 5 | 506 62 82-01 | BLADE | | 1 | 1 |
| 6 | 506 68 76-01 | SPACER | | 12 | 1 |
| 7 | 574 61 00-01 | BOLT | | 7 | 1 |
| 8 | 504 11 43-01 | SCREW | | 3 | 1 |
| 9 | 574 61 01-01 | BOLT | | 2 | 1 |
| 10 | 506 68 78-01 | NUT | | 8 | 1 |
| 11 | 506 68 82-01 | PLATE | | 1 | 1 |
| 12 | 506 62 74-01 | BRACKET | | 1 | 1 |
| 13 | 506 62 85-01 | COVER | | 1 | 1 |
| 14 | 527 89 06-01 | PLATE,RECEIVE | | 1 | |
| 15 | 575 27 55-01 | SCREW | | 6 | |

B 226HS
CYLINDER COVER

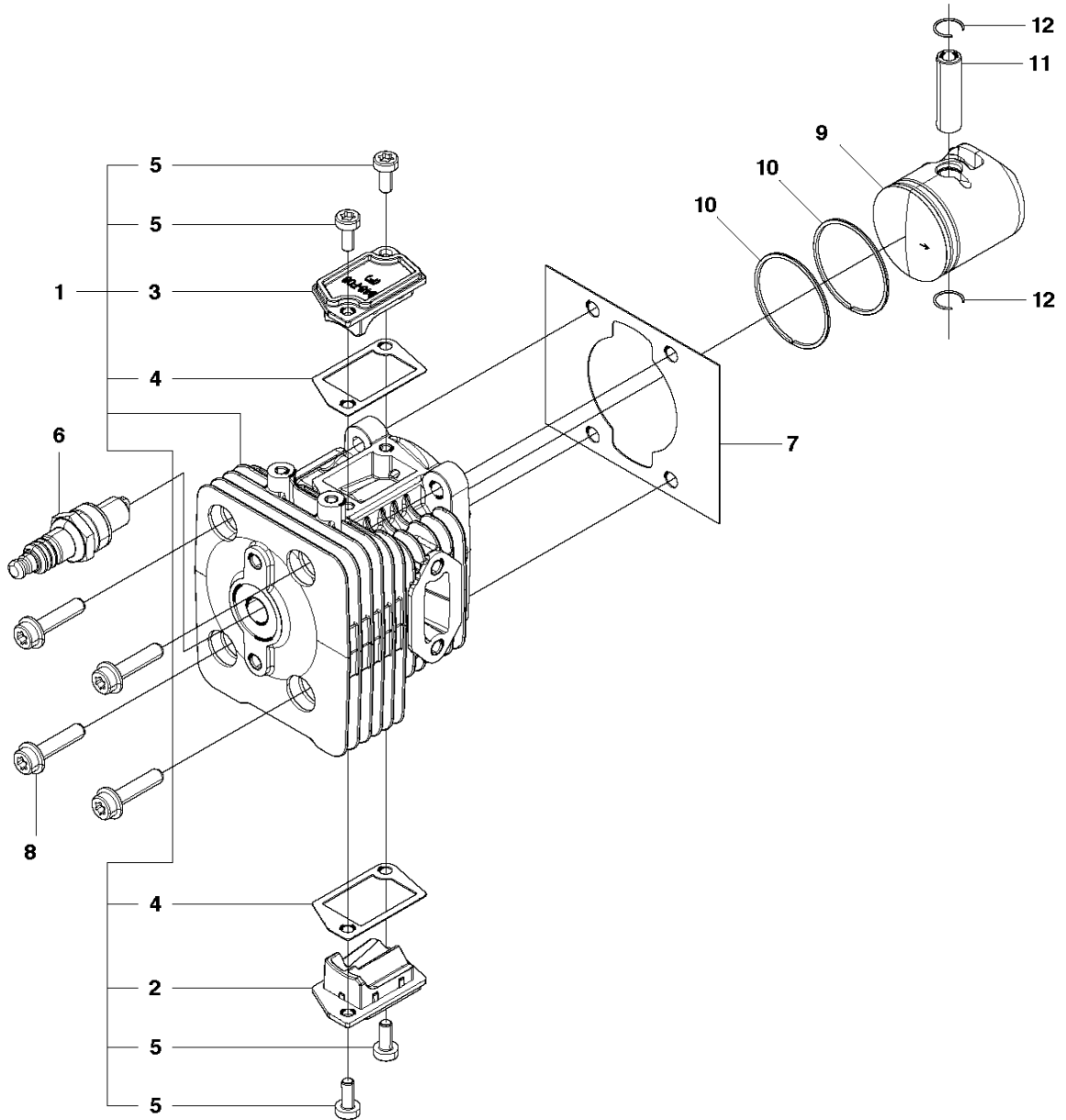


CYLINDER COVER

226HS99S EUII, 967279702, 2014-04

| Ref | Part No | Description | Remark | QTY KIT |
|-----|--------------|-------------------|---------|---------|
| 1 | 506 62 93-01 | LABEL .WARNING | US only | 1 |
| 2 | 527 88 78-01 | LABEL,CAUTION(CE) | EU only | 1 |
| 3 | 506 65 70-01 | COVER | | 1 |
| 4 | 506 74 56-01 | BOLT | | 1 |
| 5 | 506 61 59-01 | GROMMET | | 1 |
| 6 | 587 02 78-01 | DECAL | | 1 |

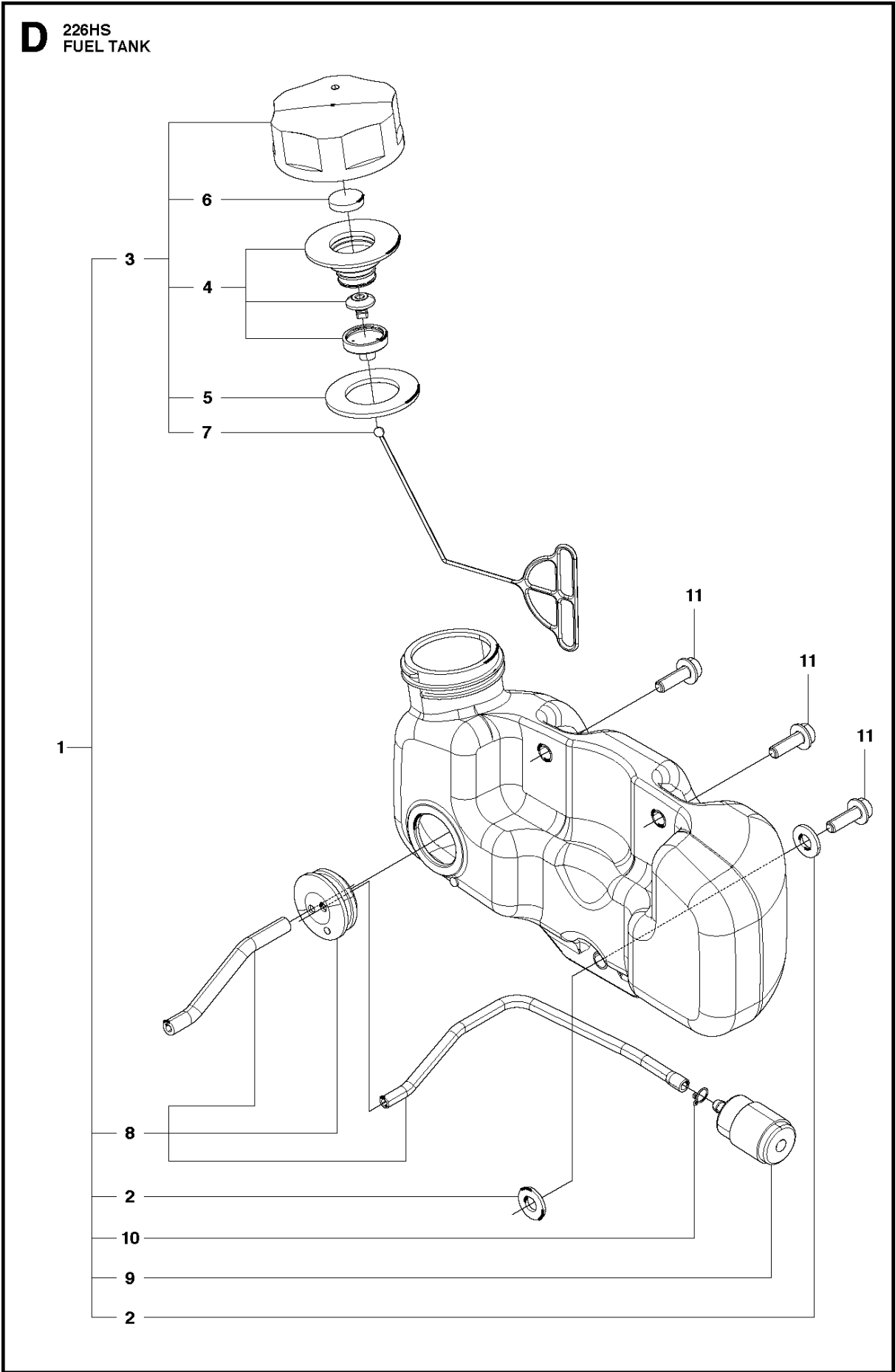
G 226HS
CYLINDER & PISTON



CYLINDER PISTON

226HS99S EUII, 967279702, 2014-04

| Ref | Part No | Description | Remark | QTY | KIT |
|-----|--------------|-------------|--------|-----|-----|
| 1 | 528 05 21-01 | CYLINDER-C | | 1 | |
| 2 | 506 65 41-02 | COVER | | 1 | 1 |
| 3 | 506 65 42-02 | COVER | | 1 | 1 |
| 4 | 506 65 43-01 | GASKET | | 2 | 1 |
| 5 | 504 11 92-01 | SCREW | | 4 | 1 |
| 6 | 528 07 40-01 | SPARKPLUG | | 1 | |
| 7 | 506 62 97-01 | GASKET | | 1 | |
| 8 | 506 74 52-01 | BOLT | | 4 | |
| 9 | 528 05 23-01 | PISTON | | 1 | |
| 10 | 506 61 81-01 | RING | | 2 | |
| 11 | 505 04 07-01 | PIN | | 1 | |
| 12 | 505 04 52-01 | RING | | 2 | |

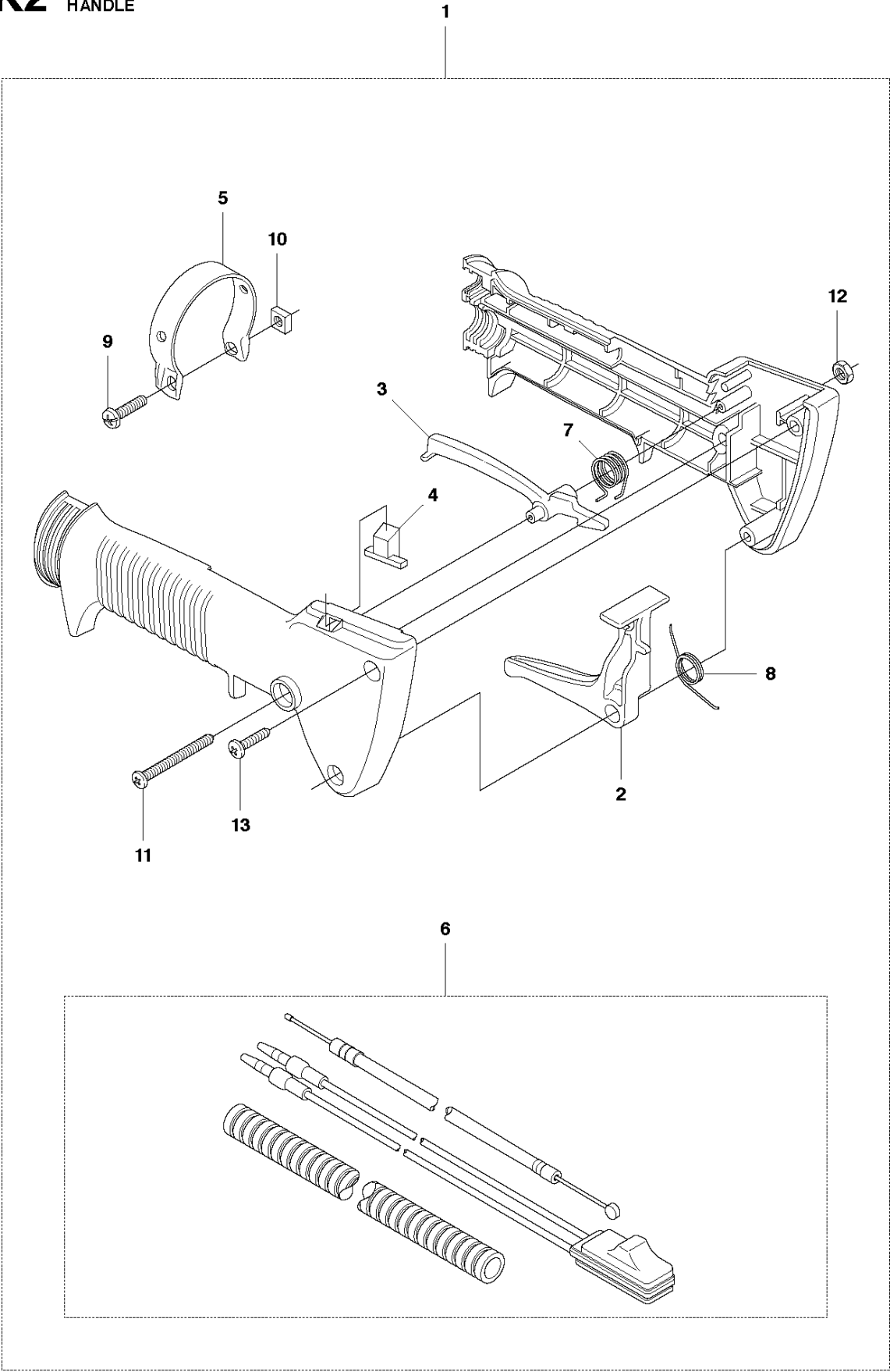


FUEL TANK

226HS99S EUII, 967279702, 2014-04

| Ref | Part No | Description | Remark | QTY | KIT |
|-----|--------------|-------------|---------|-----|------|
| 1 | 525 24 60-01 | TANK ASSY | EU only | 1 | |
| 2 | 506 68 41-01 | PACKING | | 2 | 1 |
| 3 | 505 30 96-01 | CAP-A | | 1 | 1 |
| 4 | 515 36 94-01 | HOLDER-A | | 1 | 1, 3 |
| 5 | 506 74 43-01 | PACKING | | 1 | 1, 3 |
| 6 | 506 74 68-01 | FILTER | | 1 | 1, 3 |
| 7 | 506 74 58-01 | STOPPER | | 1 | 1, 3 |
| 8 | 579 13 83-08 | HOSE ASSY | EU only | 1 | 1 |
| 8 | 506 65 31-01 | PIPE-C | US ONLY | 1 | |
| 9 | 506 61 46-01 | FILTER | | 1 | 1 |
| 10 | 506 70 70-01 | CLIP | | 1 | 1 |
| 11 | 506 74 56-01 | BOLT | | 3 | |

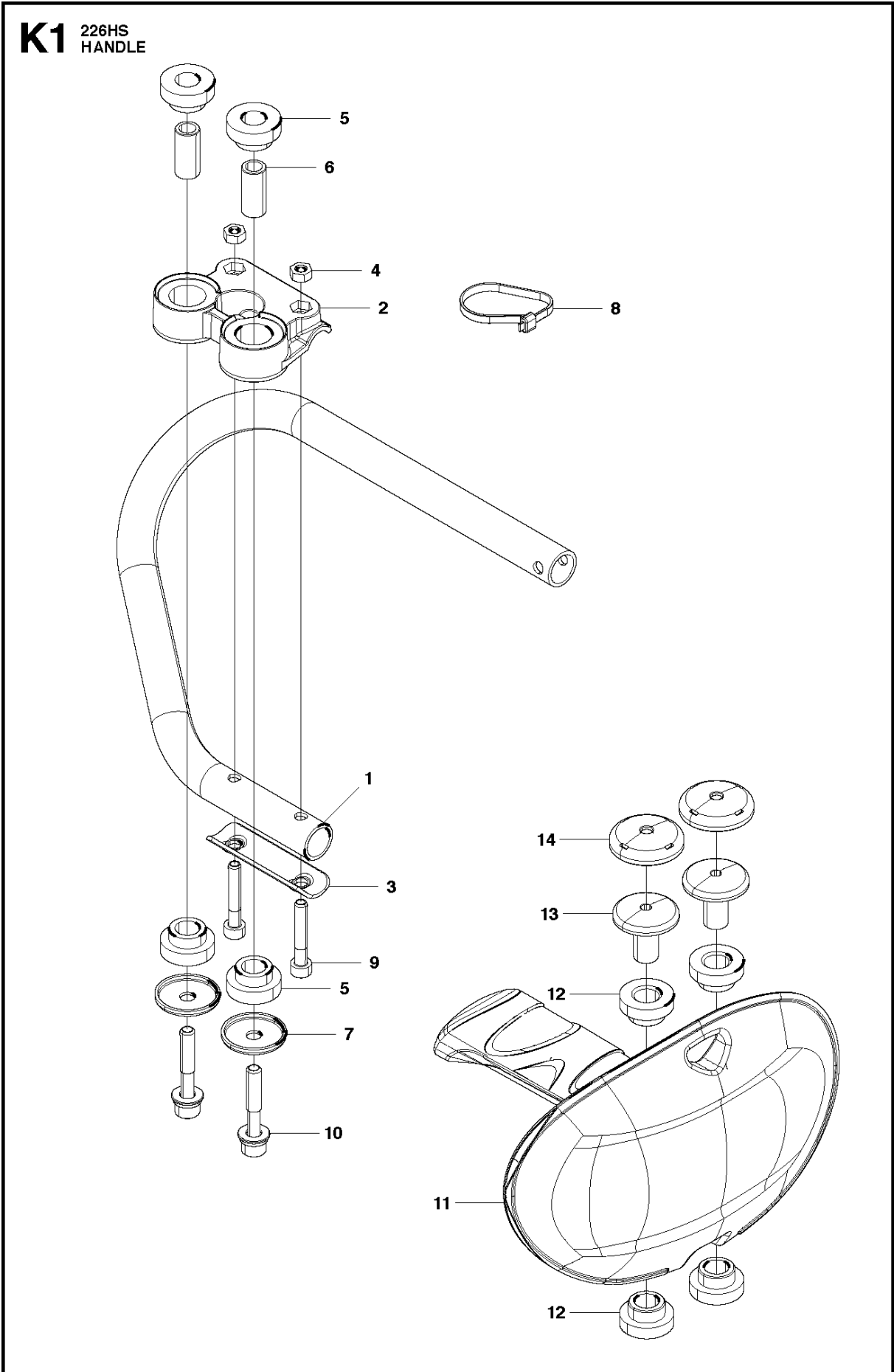
K2 226HS
HANDLE



HANDLE

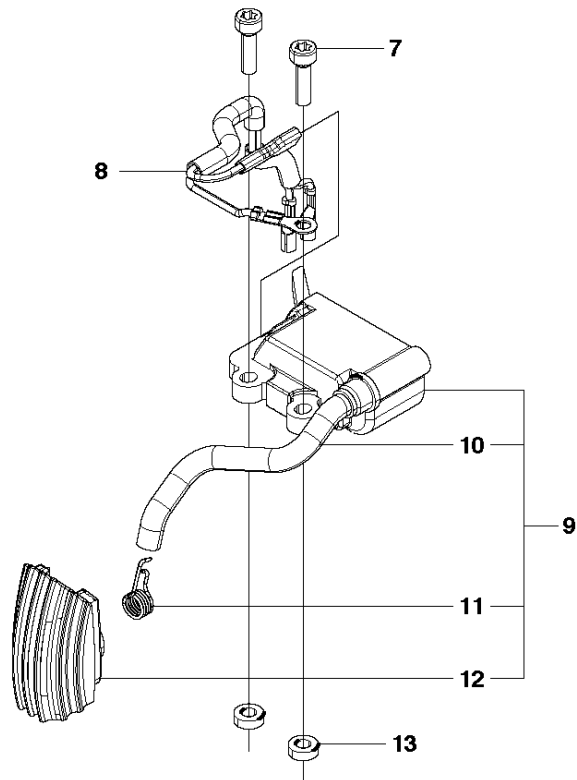
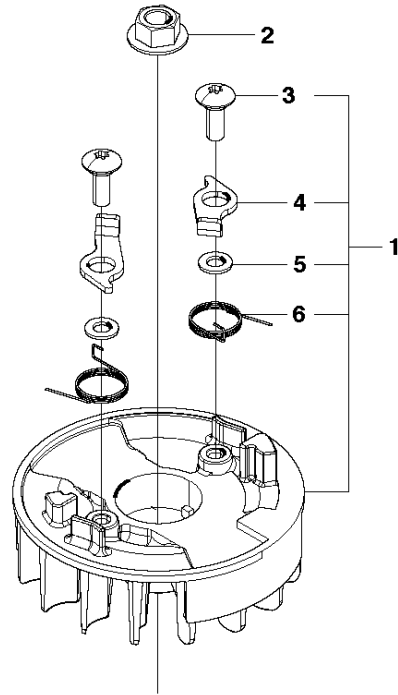
226HS99S EU11, 967279702, 2014-04

| Ref | Part No | Description | Remark | QTY | KIT |
|-----|--------------|-------------|--------|-----|-----|
| 1 | 506 68 70-01 | LEVER | | 1 | |
| 2 | 506 61 16-01 | LEVER | | 1 | 1 |
| 3 | 506 61 17-01 | LEVER | | 1 | 1 |
| 4 | 506 61 73-01 | TOP | | 1 | 1 |
| 5 | 506 61 18-01 | CLAMP | | 1 | 1 |
| 6 | 506 68 69-01 | CABLE ASSY | | 1 | 1 |
| 7 | 506 61 19-01 | SPRING | | 1 | 1 |
| 8 | 506 61 20-01 | SPRING | | 1 | 1 |
| 9 | 506 60 97-01 | SCREW | | 1 | 1 |
| 10 | 506 61 21-01 | NUT | | 1 | 1 |
| 11 | 506 60 96-01 | SCREW | | 1 | 1 |
| 12 | 575 52 11-01 | NUT | | 1 | 1 |
| 13 | 506 61 23-01 | SCREW | | 1 | 1 |



| Ref | Part No | Description | Remark | QTY KIT |
|-----|--------------|-------------|--------|---------|
| 1 | 506 68 72-01 | PIPE | | 1 |
| 2 | 506 68 73-01 | MOUNT | | 1 |
| 3 | 506 68 74-01 | PLATE | | 1 |
| 4 | 505 17 23-01 | NUT | | 2 |
| 5 | 506 68 65-01 | ABSORBER | | 4 |
| 6 | 506 68 71-01 | COLLAR | | 2 |
| 7 | 506 68 68-01 | WASHER | | 2 |
| 8 | 506 61 05-01 | BAND | | 1 |
| 9 | 515 38 81-01 | BOLT | | 2 |
| 10 | 521 86 25-01 | BOLT | | 2 |
| 11 | 506 62 91-01 | HANDLE | | 1 |
| 12 | 506 62 76-01 | SPACER | | 4 |
| 13 | 506 68 66-01 | HOLDER | | 2 |
| 14 | 506 68 67-01 | HUB CAP | | 2 |

E 226HS
IGNITION SYSTEM

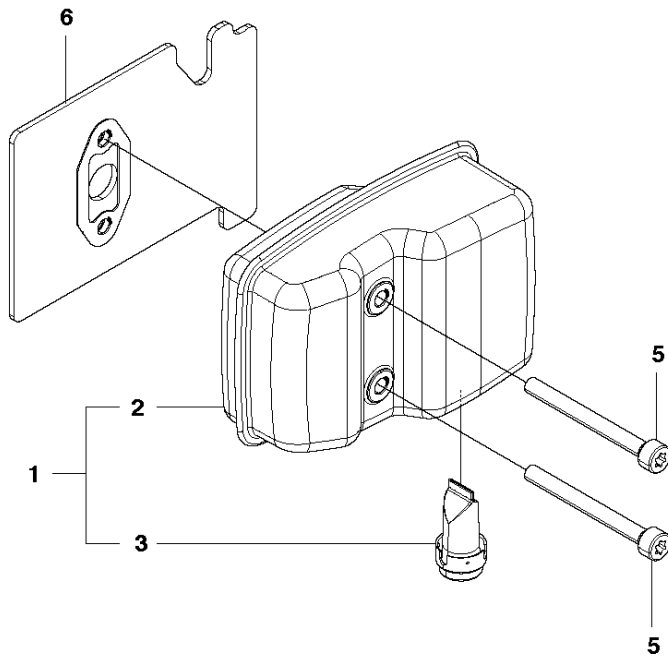
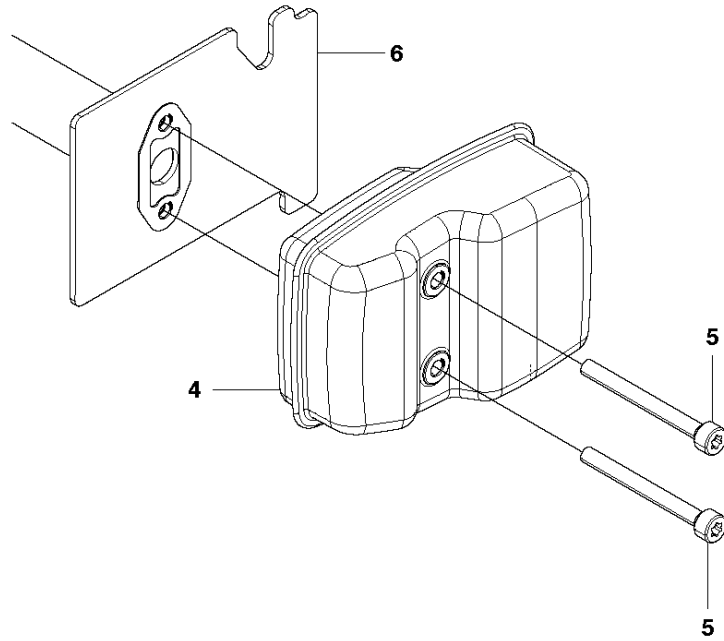


IGNITION SYSTEM

226HS99S EUII, 967279702, 2014-04

| Ref | Part No | Description | Remark | QTY | KIT |
|-----|--------------|-------------|--------|-----|-----|
| 1 | 506 65 60-01 | ROTOR-A | | 1 | |
| 2 | 504 11 80-01 | NUT | | 1 | |
| 3 | 506 61 43-01 | SCREW | | 2 | 1 |
| 4 | 506 61 41-01 | PAWL | | 2 | 1 |
| 5 | 506 61 44-01 | WASHER | | 2 | 1 |
| 6 | 521 74 71-01 | SPRING | | 2 | 1 |
| 7 | 506 74 57-01 | BOLT | | 2 | |
| 8 | 506 65 23-01 | CORD-COMP | | 1 | |
| 9 | 506 65 61-01 | COIL-A | | 1 | |
| 10 | 511 35 12-01 | CORD | | 1 | 9 |
| 11 | 506 65 52-01 | SPRING | | 1 | 9 |
| 12 | 521 61 00-01 | HUB CAP | | 1 | 9 |
| 13 | 504 11 86-01 | SPACER | | 2 | |

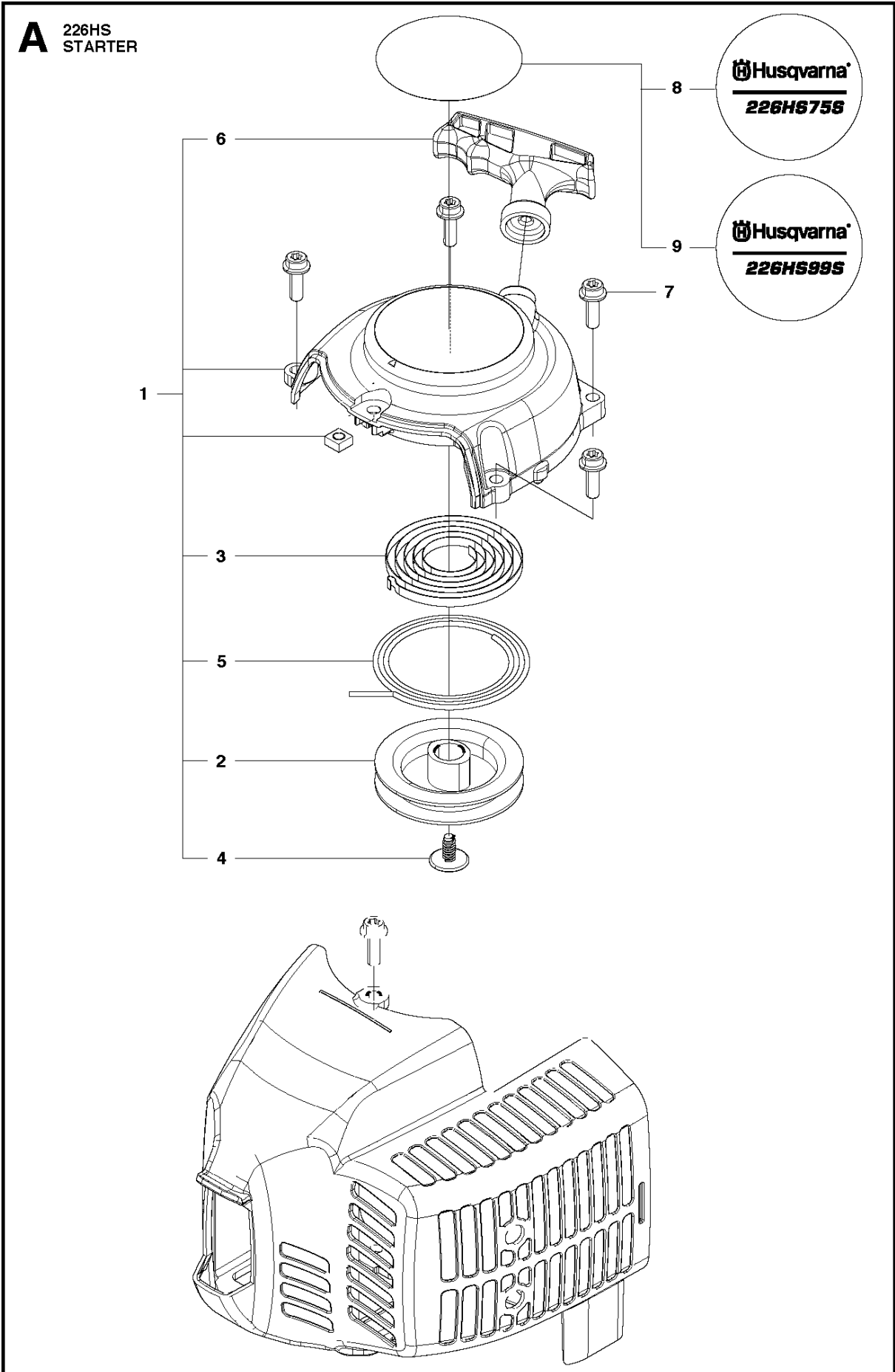
F 226HS
MUFFLER



MUFFLER

226HS99S EUII, 967279702, 2014-04

| Ref | Part No | Description | Remark | QTY | KIT |
|-----|--------------|-------------|---------|-----|-----|
| 1 | 506 65 68-01 | MUFFLER | US only | 1 | |
| 2 | 506 65 69-01 | MUFFLER | US ONLY | 1 | 1 |
| 3 | 506 61 56-01 | ARRESTER | US ONLY | 1 | 1 |
| 4 | 523 07 16-01 | MUFFLER | EU only | 1 | |
| 5 | 504 11 65-01 | SCREW | | 2 | |
| 6 | 506 65 56-01 | GASKET | | 1 | |



STARTER

226HS99S EUII, 967279702, 2014-04

| Ref | Part No | Description | Remark | QTY | KIT |
|-----|--------------|--------------|----------|-----|-----|
| 1 | 506 65 72-01 | RECOIL ASSY | | 1 | |
| 2 | 506 68 42-01 | REEL | | 1 | 1 |
| 3 | 506 67 43-01 | SPRING | | 1 | 1 |
| 4 | 506 61 30-01 | SCREW | | 1 | 1 |
| 5 | 506 68 34-01 | ROPE | | 1 | 1 |
| 6 | 506 61 47-01 | KNOB | | 1 | 1 |
| 7 | 506 74 56-01 | BOLT | | 4 | |
| 9 | 528 05 08-01 | LABEL,RECOIL | 226HS99S | 1 | |