



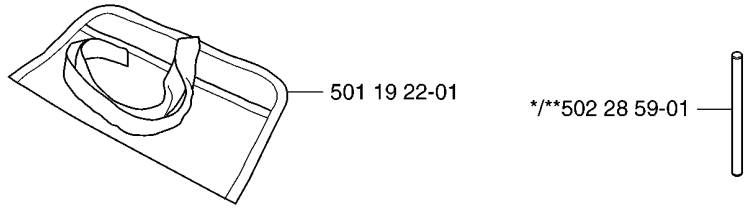
# SPARE PARTS LIST

BRUSHCUTTERS/CLEARING SAWS

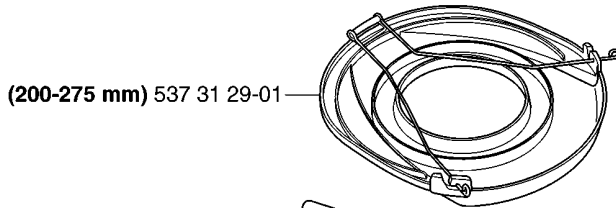
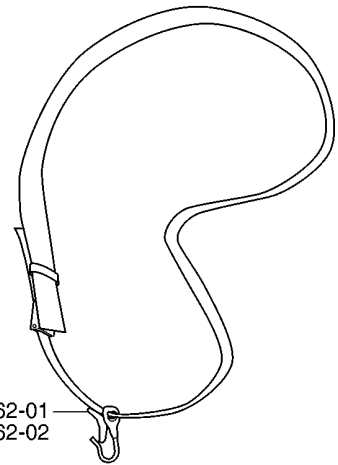
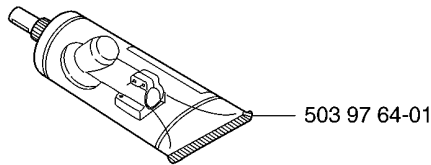
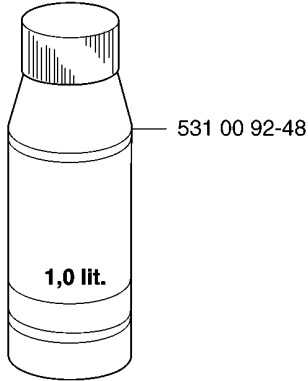
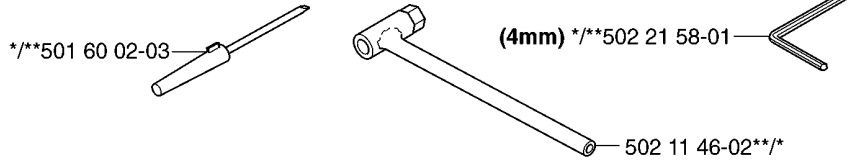
232 R from 2014-12 -

**T Accessories**  
**Zubehöre**  
**Accessoires**  
**Accessorios**  
**Tillbehör**

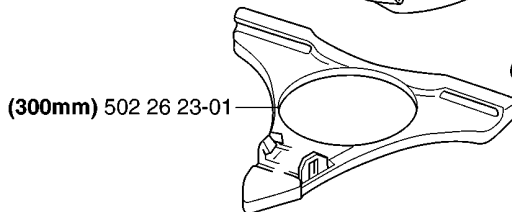
\*compl 502 21 60-01 (232)  
 \*\*compl 502 21 60-14 (235)



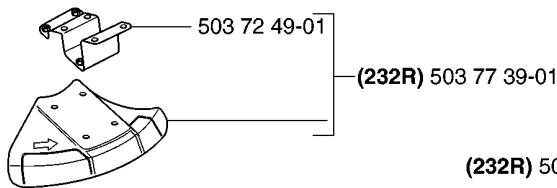
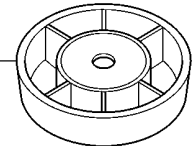
**Oil Airfilter**  
**Öl Luftfilter**  
**Aceite Filtro Air**  
**Huile Filtera aire**  
**Olja Luftfilter**



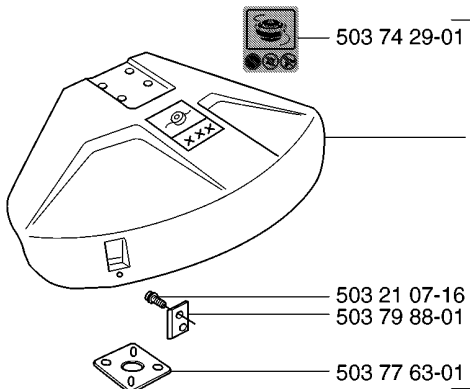
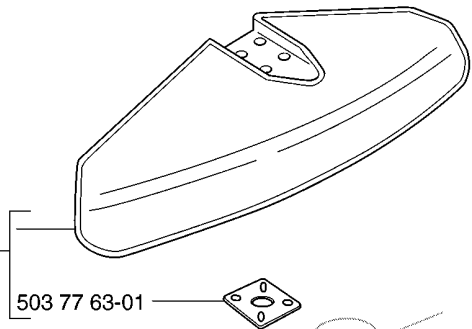
537 21 62-01  
 (USA) 537 21 62-02



(232L, 232R) 503 89 01-01  
 (235FR, R, 235RII) 503 89 01-02

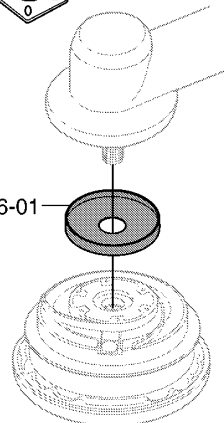


(232R) 503 74 40-01



(232L,232R) 503 74 50-04

(232L, 232R) 537 29 26-01

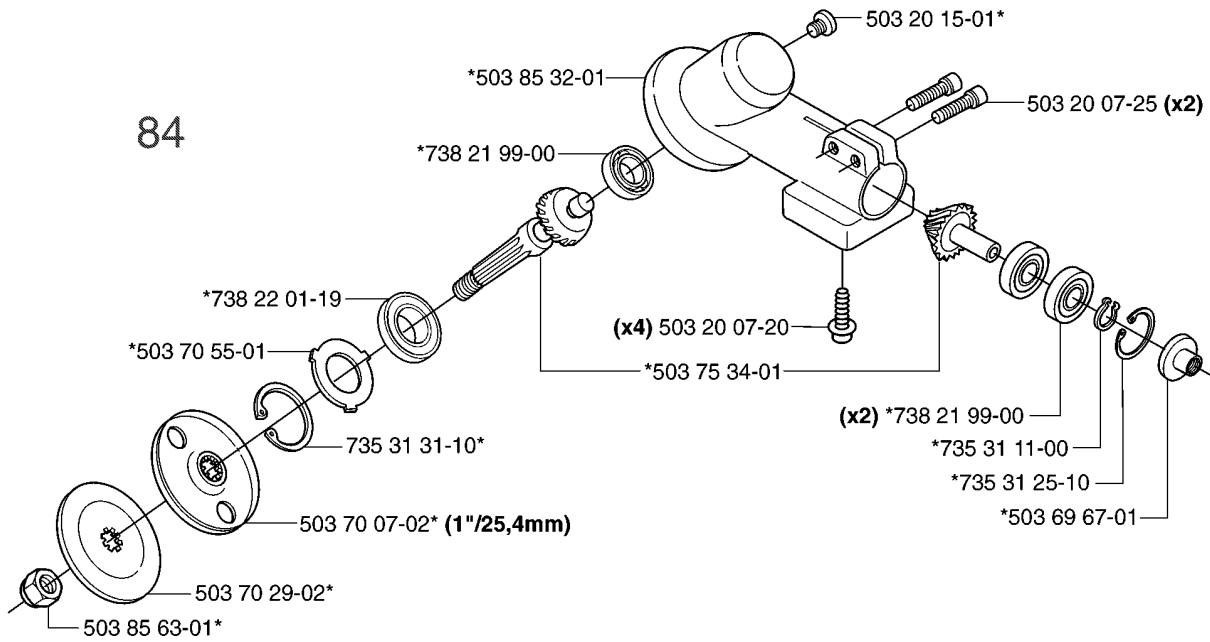


## ACCESSORIES

232 R from 2014-12 -

Part No	Description	Remark	QTY KIT
501 19 22-01	TOOL CASING		1
501 60 02-03	SCREWDRIVER		1
502 11 46-02	SOCKET WRENCH		1
502 21 58-01	L-NYCKEL		1
502 21 60-01	ACCESSORY BAG		1
502 21 60-14	ACCESSORY BAG		1
502 26 23-01	TRANSPORT GUARD		1
502 28 59-01	STOP		1
503 21 07-16	SCREW IHSCFT		1
503 72 49-01	ADAPTER		1
503 74 29-01	DECAL		1
503 74 40-01	BLADE GUARD		1
503 74 50-04	TRIMMER GUARD		1
503 77 39-01	SAW BLADE GUARD		1
503 77 63-01	BASE PLATE		1
503 77 63-01	BASE PLATE		1
503 79 88-01	BLADE		1
503 89 01-01	SUPPORT CUP		1
503 89 01-02	SUPPORT CUP		1
503 97 64-01	GREASE		1
531 00 92-48	FILTER OIL		1
537 21 62-01	HARNESS		1
537 21 62-02	HARNESS		1
537 29 26-01	CUP		1
537 31 29-01	TRANSPORT GUARD		1

**A 232L, 232R**  
\*compl 502 21 92-08 (1"/25,4mm)

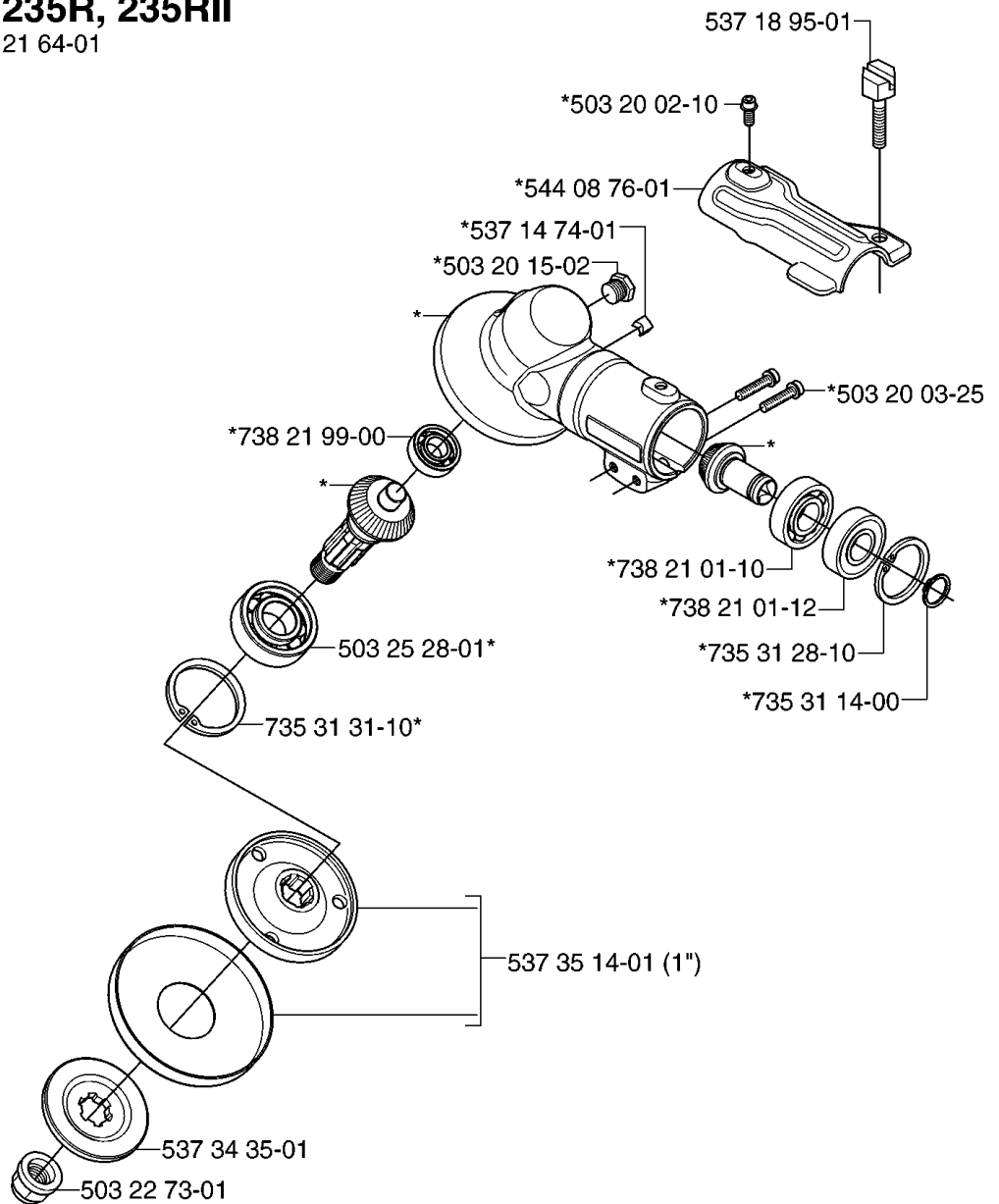


## BEVEL GEAR

232 R from 2014-12 -

Part No	Description	Remark	QTY KIT
502 21 92-08	GEAR		1
503 20 07-20	SCREW IHSCFM		4
503 20 07-25	SCREW IHSCFM		2
503 20 15-01	SCREW IHHM		1
503 69 67-01	GASKET RING UPPER		1
503 70 07-02	DRIVER		1
503 70 29-02	SUPPORT FLANGE		1
503 70 55-01	COVER WASHER		1
503 75 34-01	GEAR WHEEL		1
503 85 32-01	GEAR HOUSING		1
503 85 63-01	NUT		1
735 31 11-00	CIRCLIP		1
735 31 25-10	CIRCLIP		1
735 31 31-10	CIRCLIP		1
738 21 99-00	BALL BEARING		1
738 21 99-00	BALL BEARING		2
738 22 01-19	BALL BEARING		1

**A 235FR, 235R, 235RII**  
\*compl 544 21 64-01

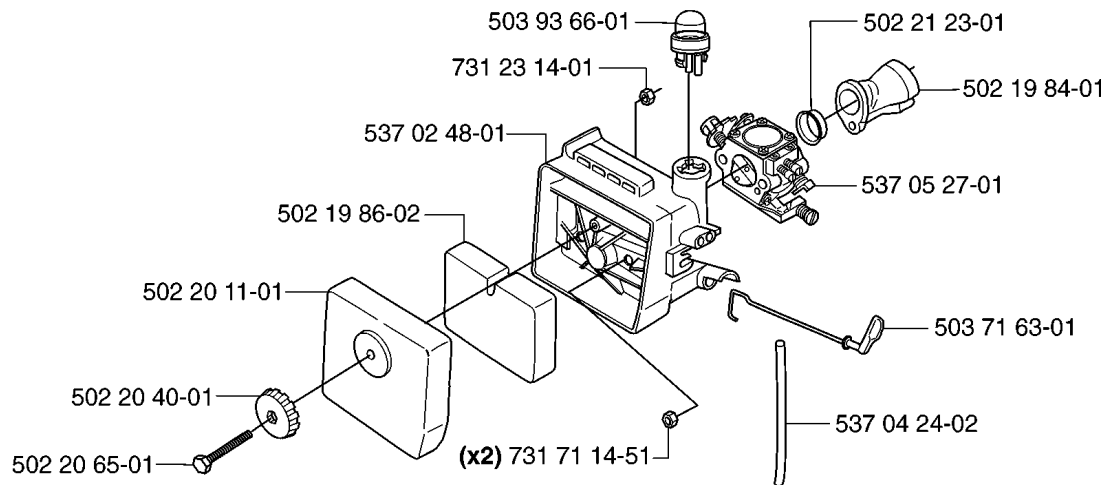


## BEVEL GEAR

232 R from 2014-12 -

Part No	Description	Remark	QTY KIT
503 20 02-10	SCREW IHSCFM		1
503 20 03-25	SCREW IHSCFM		1
503 20 15-02	SCREW IHHM		1
503 22 73-01	NUT		1
503 25 28-01	BALL BEARING		1
537 14 74-01	MAGNET		1
537 18 95-01	SCREW		1
537 34 35-01	SUPPORT FLANGE		1
537 35 14-01	DRIVER		1
544 08 76-01	CLAMP		1
544 21 64-01	GEAR		1
735 31 14-00	CIRCLIP		1
735 31 28-10	CIRCLIP		1
735 31 31-10	CIRCLIP		1
738 21 01-10	BALL BEARING		1
738 21 01-12	BALL BEARING		1
738 21 99-00	BALL BEARING		1

**M**





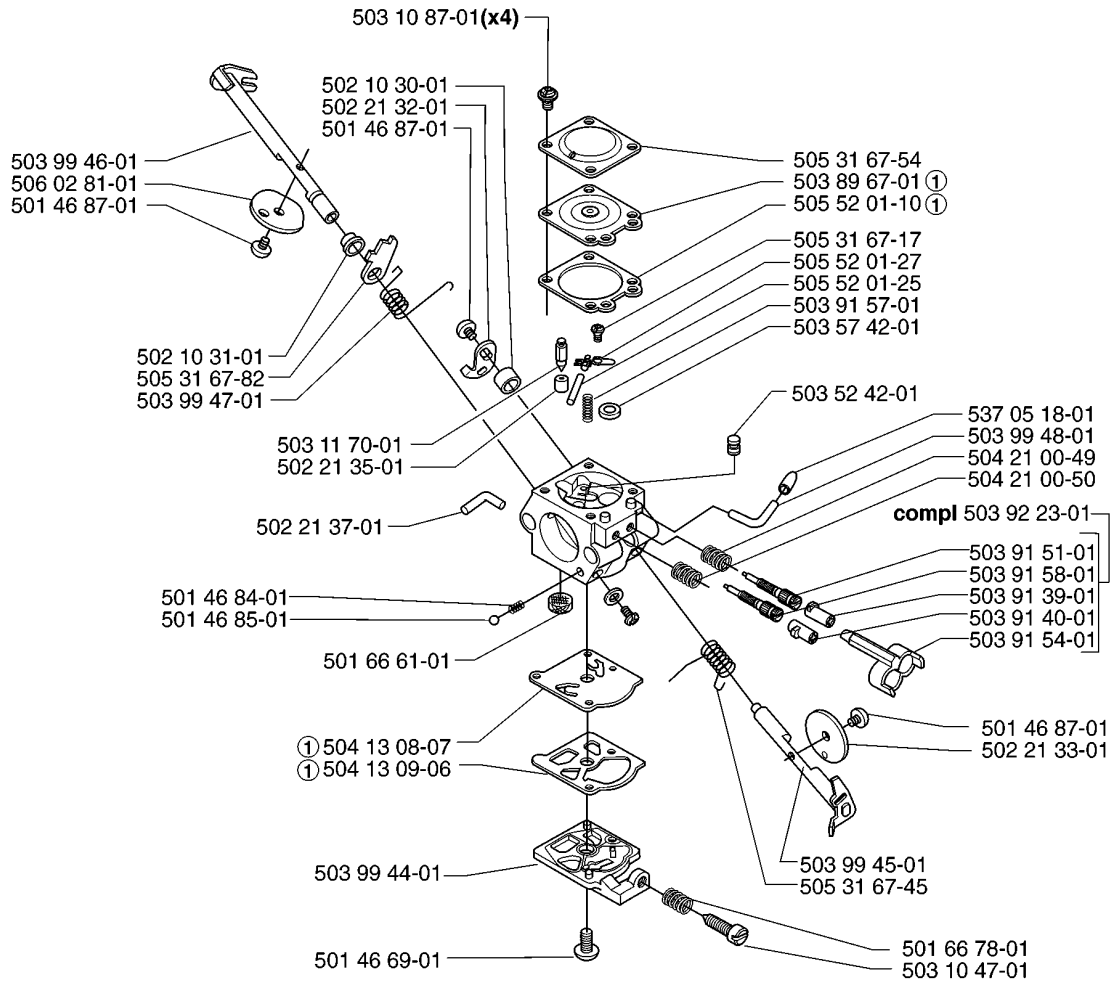
## CARBURETOR &amp; AIR FILTER

232 R from 2014-12 -

Part No	Description	Remark	QTY KIT
502 19 84-01	INLET PIPE		1
502 19 86-02	AIR FILTER		1
502 20 11-01	FILTER COVER		1
502 20 40-01	KNOB		1
502 20 65-01	SCREW EHHM		1
502 21 23-01	SUPPORT RING		1
503 71 63-01	CHOKE CONTROL		1
503 93 66-01	PRIMER HOUSING		1
537 02 48-01	FILTER HOLDER		1
537 04 24-02	FUEL HOSE		1
537 05 27-01	CARBURETTOR		1
731 23 14-01	HEXAGON NUT		1
731 71 14-51	HEXAGON NUT FLANGED		2

**R** compl 537 05 27-01

**Walbro WT 548**



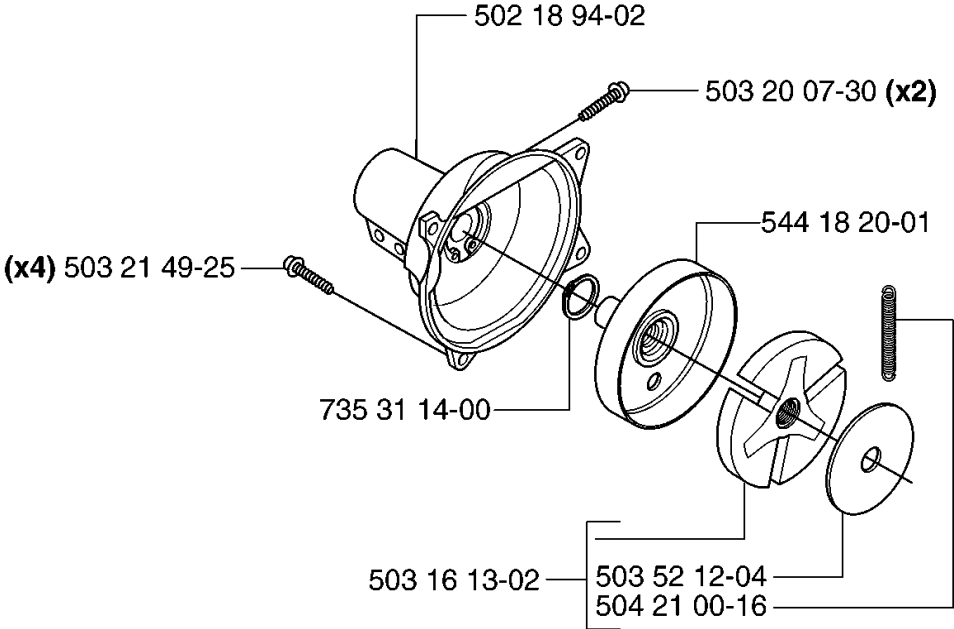
- ① 530 03 51-73  
Set of gaskets  
Dichtungssatz  
Jeu de joints  
Juego de juntas  
Packningssatz

## CARBURETOR DETAILS

232 R from 2014-12 -

Part No	Description	Remark	QTY KIT
501 46 69-01	SCREW		1
501 46 84-01	SPRING		1
501 46 85-01	BALL-CHOKE FRICTION		1
501 46 87-01	SCREW		1
501 46 87-01	SCREW		1
501 46 87-01	SCREW		1
501 66 61-01	SCREEN-INLET		1
501 66 78-01	SPRING		1
502 10 30-01	DISTANCE		1
502 10 31-01	BUSHING		1
502 21 32-01	LEVER THROTTLE		1
502 21 33-01	VALVE THROTTLE		1
502 21 35-01	SEAT INLET VALVE		1
502 21 37-01	FITTING FUEL INLET		1
503 10 47-01	SCREW		1
503 10 87-01	SCREW		4
503 11 70-01	VALVE-INLET NEEDLE		1
503 52 42-01	NOZZLE ASSY		1
503 57 42-01	PLUG-WELCH		1
503 89 67-01	DIAPHRAGM		1
503 91 39-01	LIMITER CAP		1
503 91 40-01	LIMITER CAP		1
503 91 51-01	NEEDLE		1
503 91 54-01	RETAINER		1
503 91 57-01	SPRING		1
503 91 58-01	NEEDLE		1
503 92 23-01	LIMITER CAP		1
503 99 44-01	COVER		1
503 99 45-01	SHAFT ASSY		1
503 99 46-01	SHAFT ASSY		1
503 99 47-01	SPRING		1
503 99 48-01	FITTING		1
504 13 08-07	DIAPHRAGM PUMP		1
504 13 09-06	GASKET		1
504 21 00-49	SPRING		1
504 21 00-50	SPRING		1
505 31 67-17	SCREW		1
505 31 67-45	SPRING		1
505 31 67-54	LOCK STYRMEMBRAN		1
505 31 67-82	LEVER		1
505 52 01-10	GASKET		1
505 52 01-25	PIN-METERING LEVER		1
505 52 01-27	LEVER		1
506 02 81-01	VALVE		1
537 05 18-01	PLUG		1
537 05 27-01	CARBURETTOR		1

**G 235FR, 235R, 235RII**

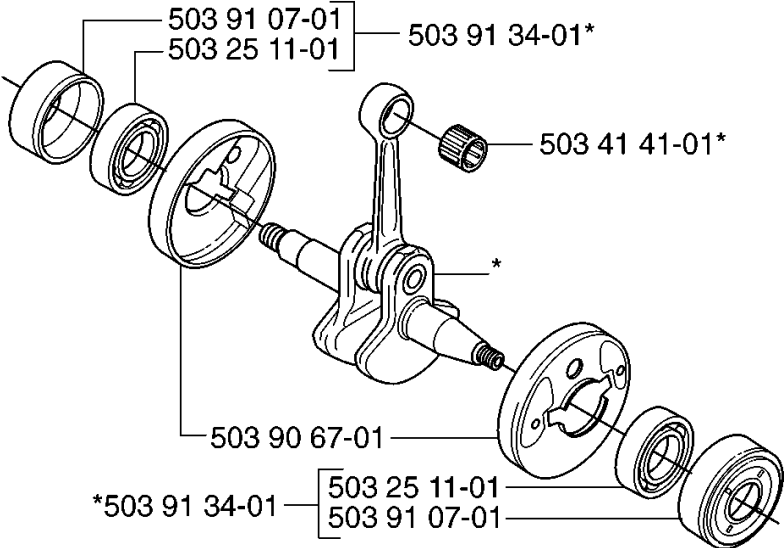


## CLUTCH

232 R from 2014-12 -

Part No	Description	Remark	QTY KIT
502 18 94-02	CLUTCH COVER ASSY		1
503 16 13-02	CLUTCH ASSY		1
503 20 07-30	SCREW IHSCFM		2
503 21 49-25	SCREW IHSCFT		4
503 52 12-04	WASHER		1
504 21 00-16	CLUTCH SPRING		1
544 18 20-01	CLUTCH DRUM ASSY		1
735 31 14-00	CIRCLIP		1

**Q** \*compl 502 21 28-04

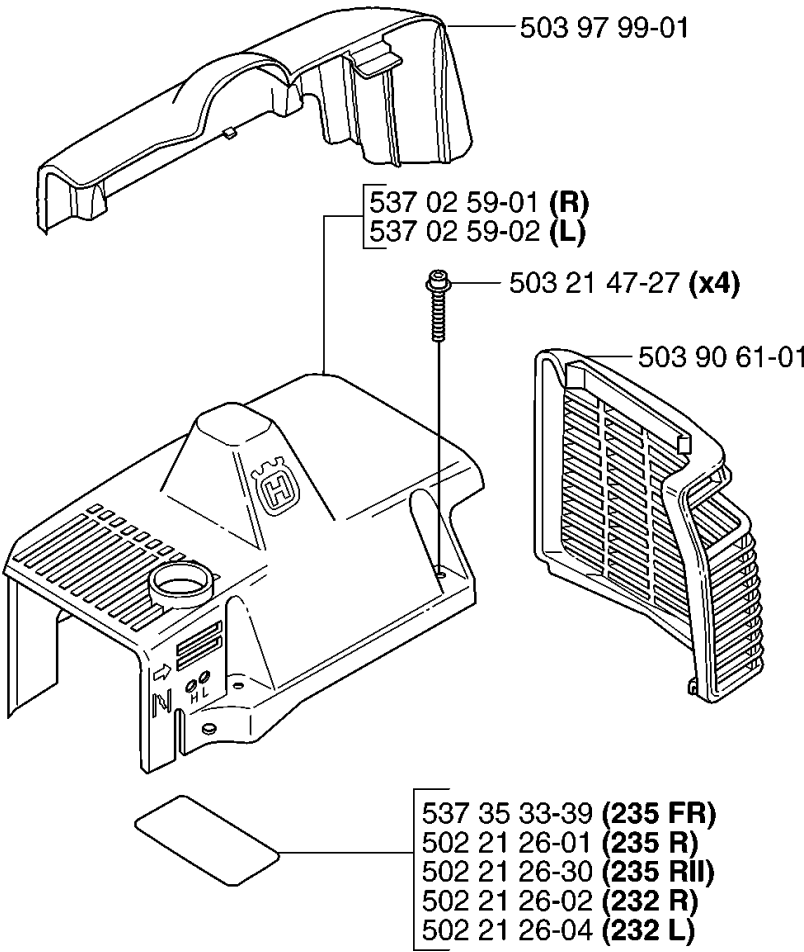


## CRANKSHAFT

232 R from 2014-12 -

Part No	Description	Remark	QTY KIT
502 21 28-04	CRANKSHAFT ASSY		1
503 25 11-01	BALL BEARING		1
503 25 11-01	BALL BEARING		1
503 41 41-01	NEEDLE BEARING		1
503 90 67-01	CUP		1
503 91 07-01	BEARING CAGE		1
503 91 07-01	BEARING CAGE		1
503 91 34-01	BEARING CAGE		1
503 91 34-01	BEARING CAGE		1

# H



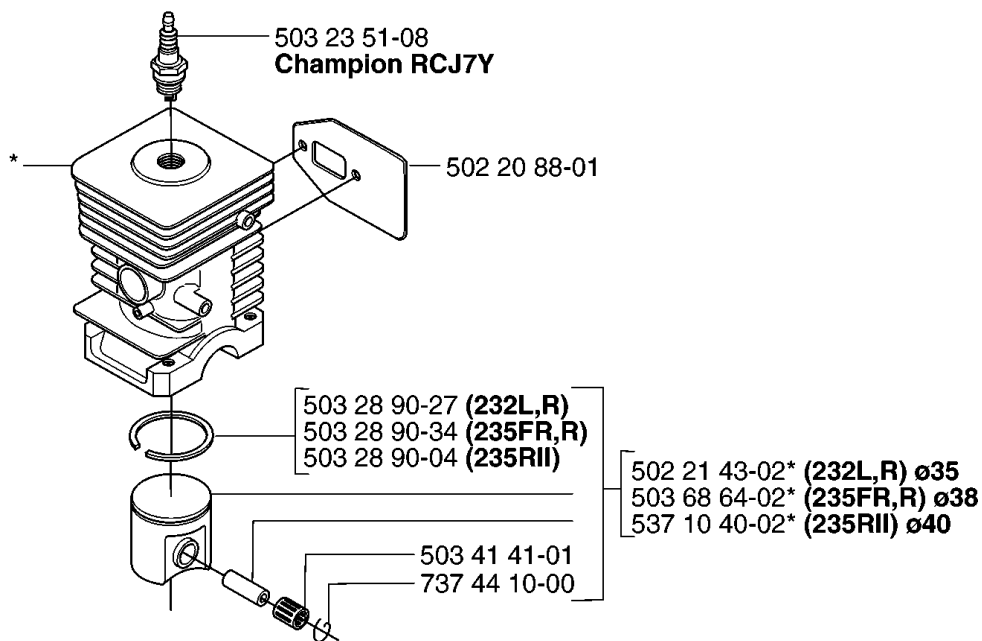


## CYLINDER COVER

232 R from 2014-12 -

Part No	Description	Remark	QTY KIT
502 21 26-01	DECAL		1
502 21 26-02	DECAL		1
502 21 26-04	DECAL		1
502 21 26-30	DECAL		1
503 21 47-27	SCREW IHSCFTO		4
503 90 61-01	HEAT PROTECTOR		1
503 97 99-01	ARM PROTECTION		1
537 02 59-01	CYLINDER COVER		1
537 02 59-02	CYLINDER COVER		1
537 35 33-39	LABEL		1

- P** \*compl 503 72 80-01 (232L,R) ø35  
 \*compl 503 69 46-01 (235FR,R) ø38  
 \*compl 537 10 41-01 (235Rll) ø40



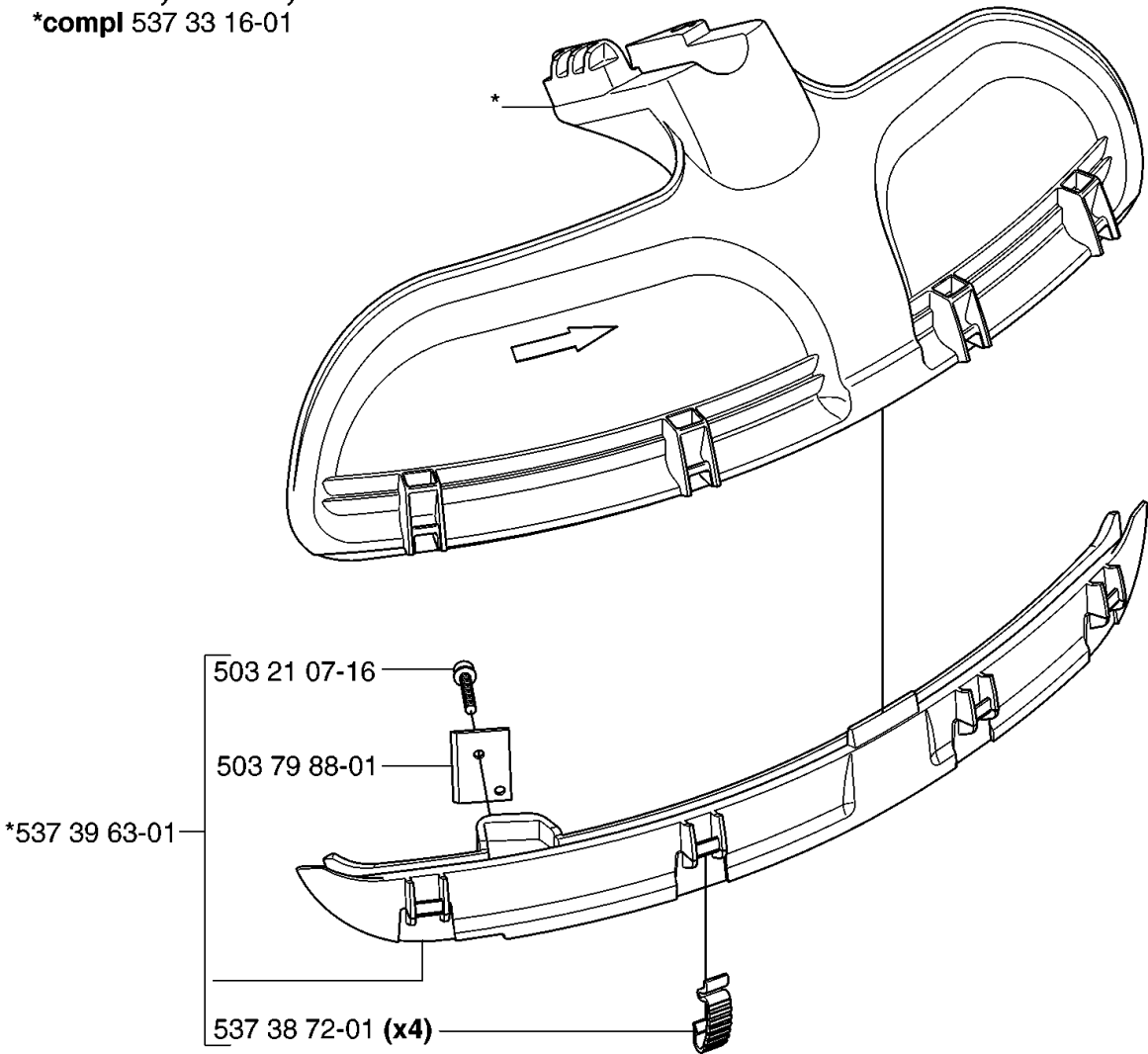
## CYLINDER PISTON

232 R from 2014-12 -

Part No	Description	Remark	QTY KIT
502 20 88-01	GASKET MUFFLER		1
502 21 43-02	PISTON ASSY		1
503 23 51-08	SPARK PLUG		1
503 28 90-04	PISTON RING		1
503 28 90-27	PISTON RING		1
503 28 90-34	PISTON RING		1
503 41 41-01	NEEDLE BEARING		1
503 68 64-02	PISTON ASSY		1
503 69 46-01	PISTON		1
503 72 80-01	KOLV + CYL R-DEL		1
537 10 40-02	PISTON ASSY		1
537 10 41-01	PISTON		1
737 44 10-00	SNAP RING		1

**U 235FR, 235R, 235RII**

\*compl 537 33 16-01



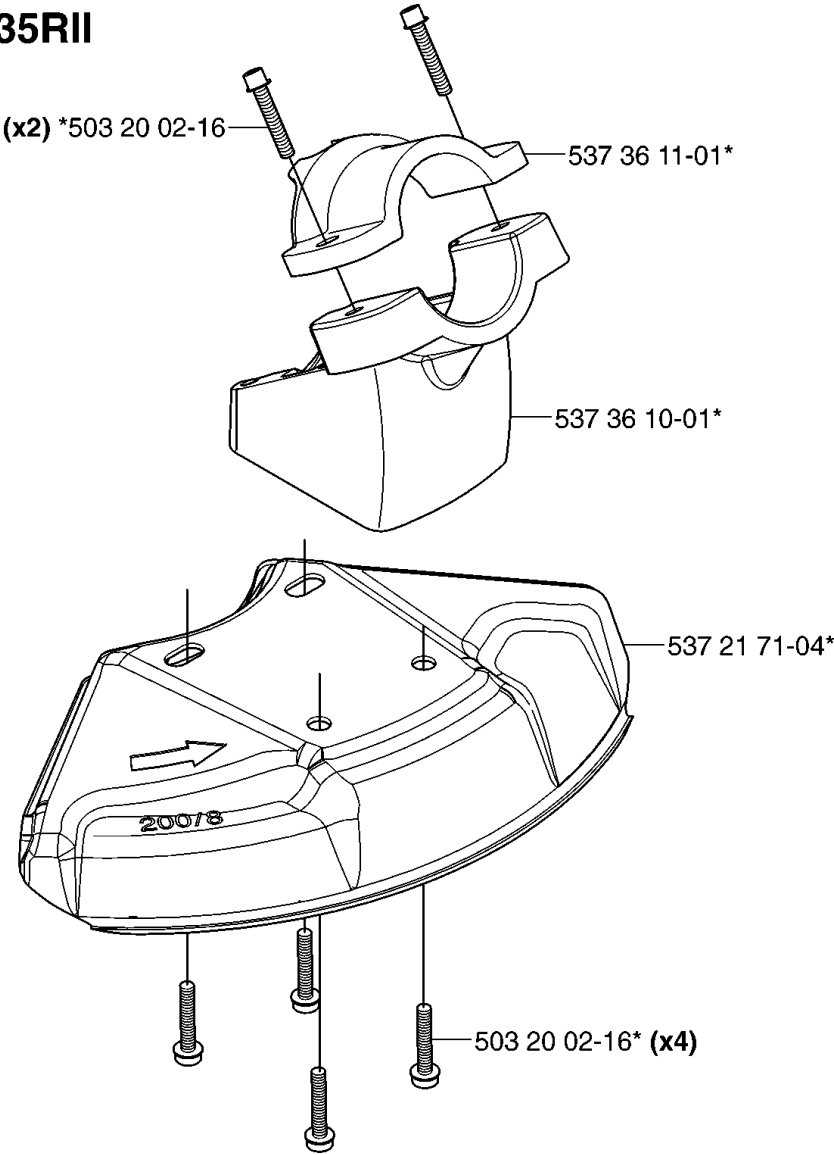
GUARDS

232 R from 2014-12 -

Part No	Description	Remark	QTY KIT
503 21 07-16	SCREW IHSCFT		1
503 79 88-01	BLADE		1
537 33 16-01	COMBI GUARD		1
537 38 72-01	SNAP		4
537 39 63-01	SPLASH GUARD		1

**U 235FR, 235R, 235R11**

\*compl 537 38 77-01

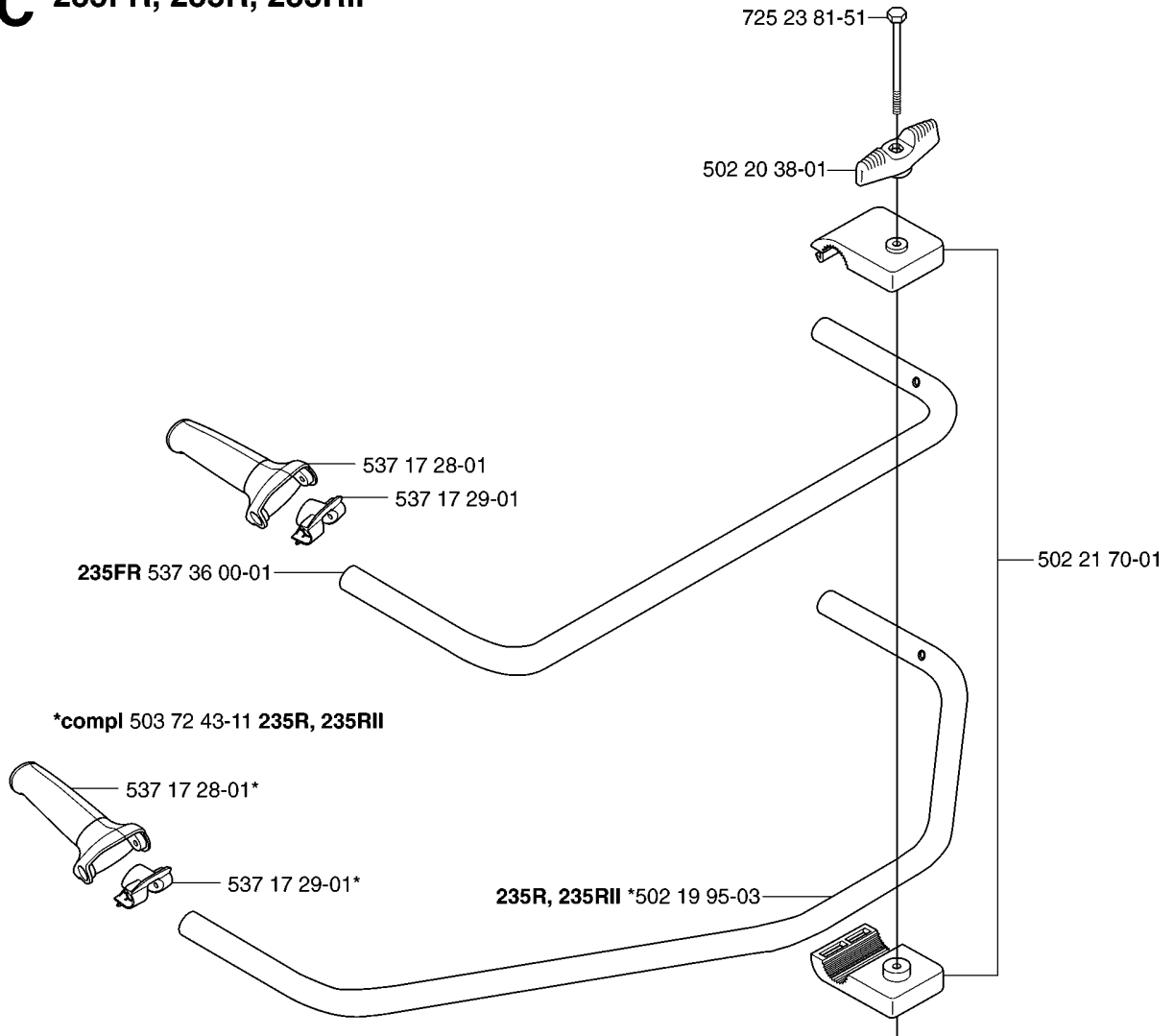


GUARDS

232 R from 2014-12 -

Part No	Description	Remark	QTY KIT
503 20 02-16	SCREW IHSCFM		2
503 20 02-16	SCREW IHSCFM		4
537 21 71-04	BLADE GUARD		1
537 36 10-01	ADAPTER		1
537 36 11-01	CLAMP		1
537 38 77-01	BLADE GUARD		1

**C 235FR, 235R, 235RII**



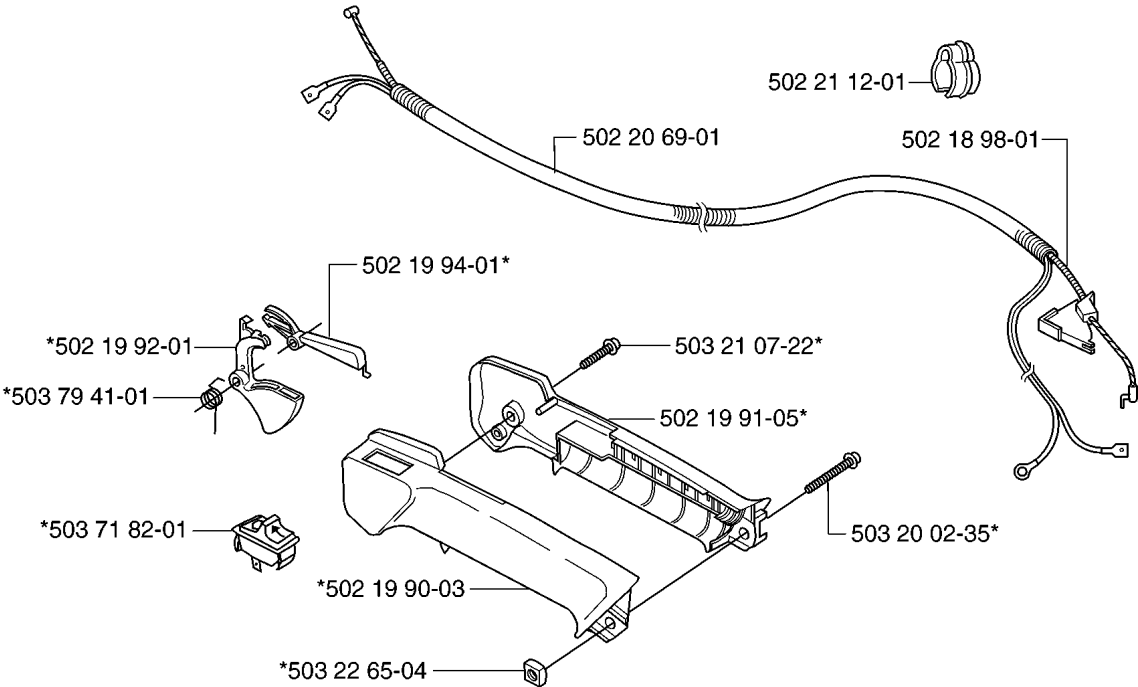


## HANDLE

232 R from 2014-12 -

Part No	Description	Remark	QTY KIT
502 19 95-03	HANDLE BAR		1
502 20 38-01	KNOB		1
502 20 38-01	KNOB		1
502 21 70-01	HANDLEBAR BRACKET		1
503 21 07-45	SCREW IHSCFT		1
503 72 10-03	HANDLE		1
503 72 29-01	COVER HANDLE BAR		1
503 72 43-03	HANDLEBAR PART ASSY		1
503 72 43-11	HANDLEBAR PART ASSY		1
503 75 00-01	HANDLEBAR BRACKET		1
503 80 45-01	BRACKET		1
537 17 28-01	HANDLE		1
537 17 28-01	HANDLE		1
537 17 29-01	COVER		1
537 17 29-01	COVER		1
537 36 00-01	HANDLEBAR		1
725 23 81-51	SCREW EHHM		1
725 23 81-51	SCREW EHHM		1

**E 232R**  
\*compl 502 19 58-13

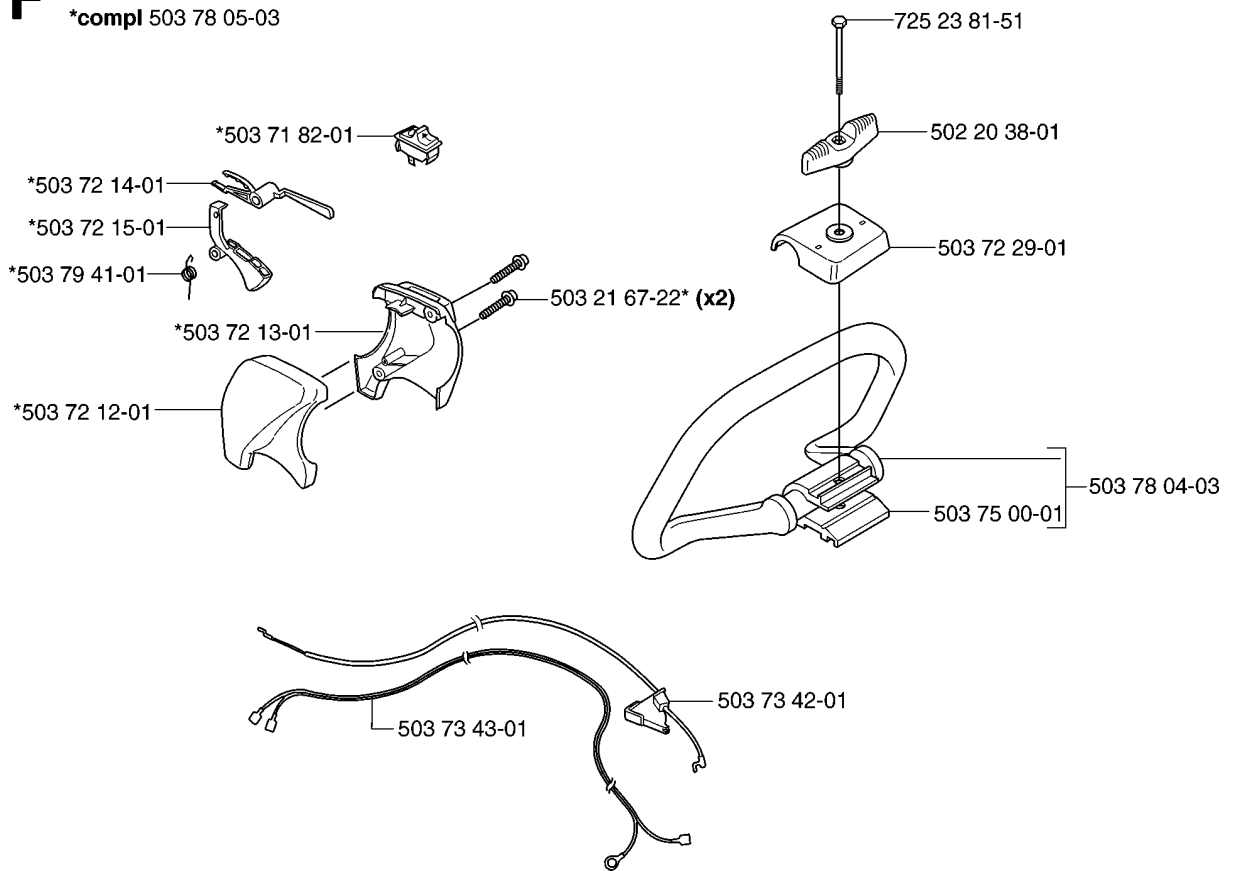


## HANDLE &amp; CONTROLS

232 R from 2014-12 -

Part No	Description	Remark	QTY KIT
502 18 98-01	THROTTLE WIRE		1
502 19 58-13	HANDLE		1
502 19 90-03	HANDLE HALF LEFT		1
502 19 91-05	HANDLE HALF RIGHT		1
502 19 92-01	THROTTLE TRIGGER		1
502 19 94-01	THROTTLE LOCKOUT		1
502 20 69-01	WIRING		1
502 21 12-01	STAPLE		1
503 20 02-35	SCREW IHSCFM		1
503 21 07-22	SCREW IHSCFT		1
503 22 65-04	SQUARE NUT		1
503 71 82-01	SWITCH		1
503 79 41-01	RECOIL SPRING		1

**F 232L**  
\*compl 503 78 05-03

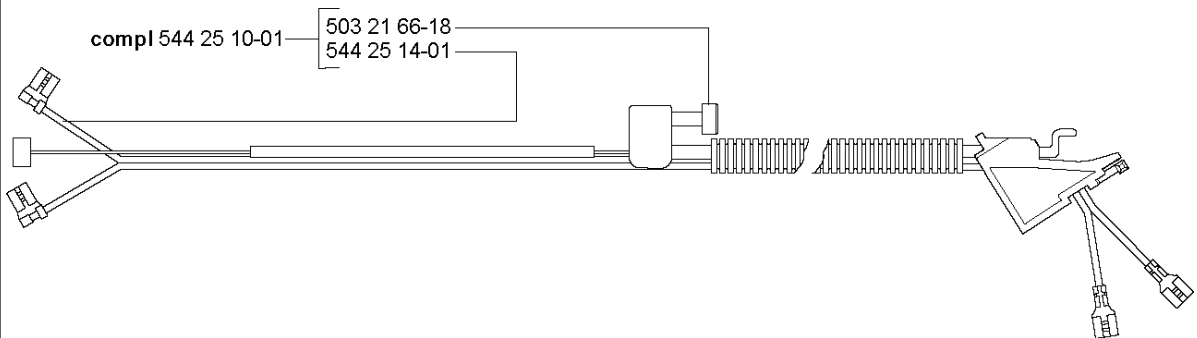
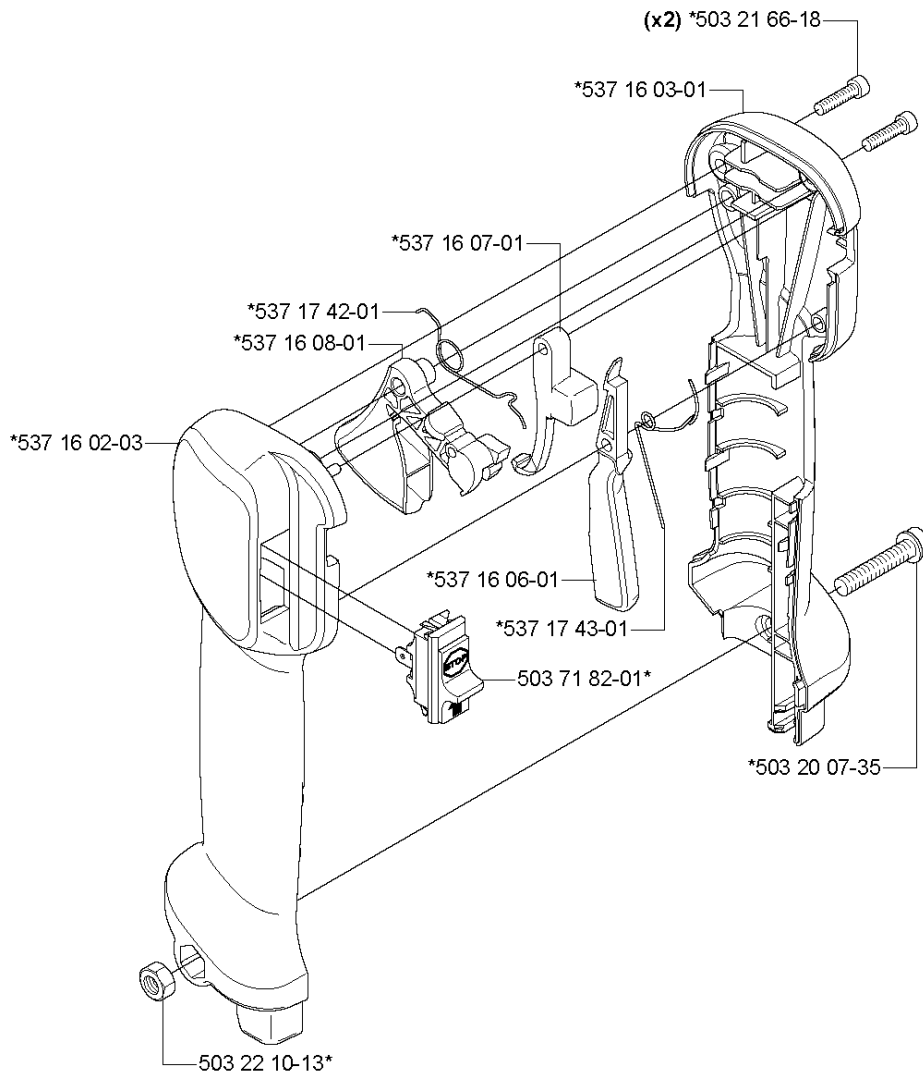


## HANDLE &amp; CONTROLS

232 R from 2014-12 -

Part No	Description	Remark	QTY KIT
502 20 38-01	KNOB		1
503 21 67-22	SCREW IHSCFT		2
503 71 82-01	SWITCH		1
503 72 12-01	HANDLE HALF LEFT		1
503 72 13-01	HANDLE HALF RIGHT		1
503 72 14-01	THROTTLE LOCKOUT		1
503 72 15-01	THROTTLE TRIGGER		1
503 72 29-01	COVER HANDLE BAR		1
503 73 42-01	THROTTLE WIRE ASSY		1
503 73 43-01	SHORT CIRCUIT CABLE		1
503 75 00-01	HANDLEBAR BRACKET		1
503 78 04-03	HANDLE LOOP		1
503 78 05-03	HANDLE		1
503 79 41-01	RECOIL SPRING		1
725 23 81-51	SCREW EHHM		1

**D 235FR, 235R, 235RII**  
\*compl 537 18 35-07

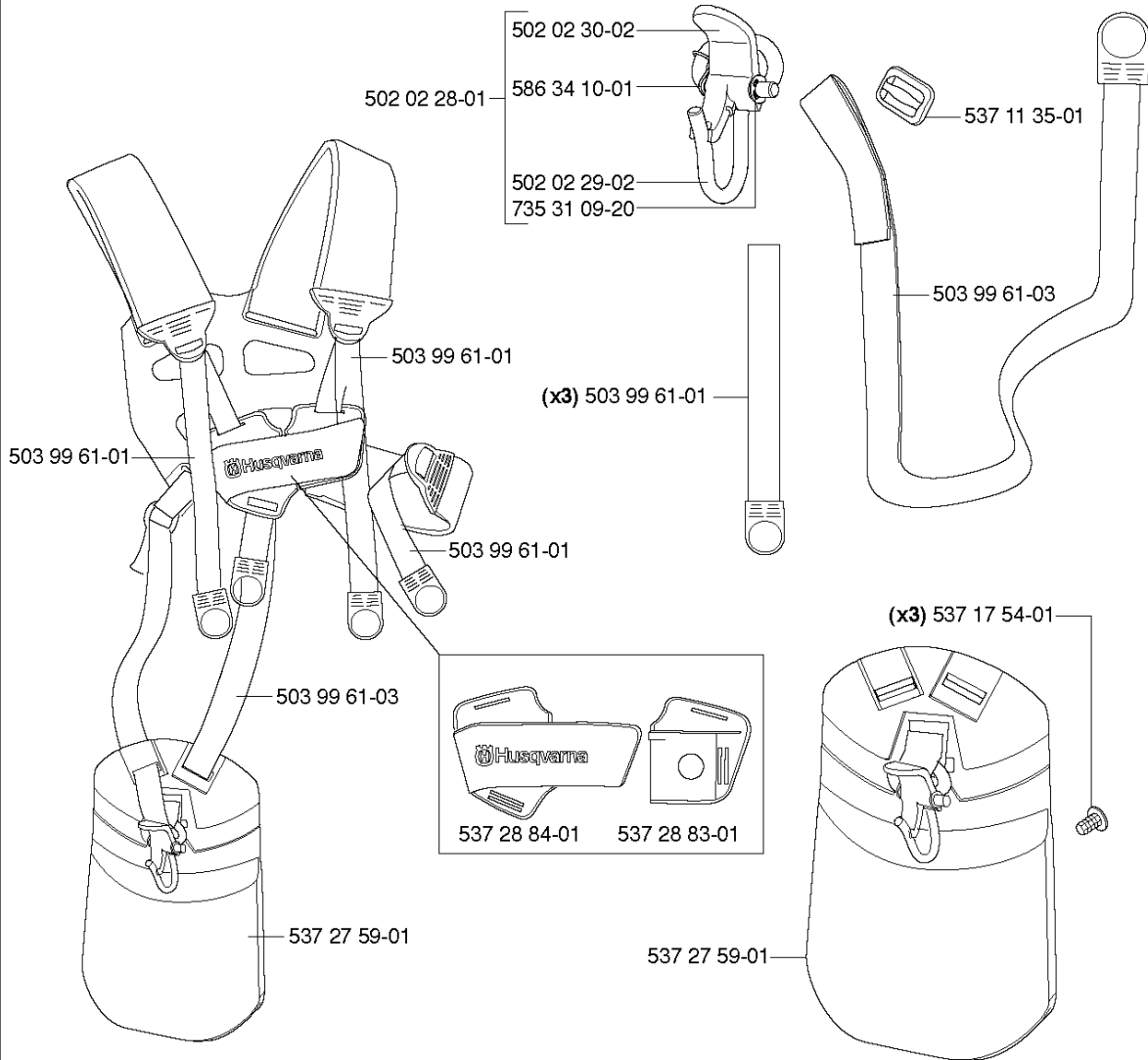


## HANDLE &amp; CONTROLS

232 R from 2014-12 -

Part No	Description	Remark	QTY KIT
503 20 07-35	SCREW IHSCFM		1
503 21 66-18	SCREW IHSCT		2
503 21 66-18	SCREW IHSCT		1
503 22 10-13	HEXAGON NUT		1
503 71 82-01	SWITCH		1
537 16 02-03	HANDLE HALF LEFT		1
537 16 03-01	HANDLE HALF RIGHT		1
537 16 06-01	THROTTLE LOCKOUT		1
537 16 07-01	STARTER THROTTLE LOC		1
537 16 08-01	THROTTLE TRIGGER		1
537 17 42-01	SPRING THROTTLE TRIG		1
537 17 43-01	SPRING		1
537 18 35-07	HANDLE SYSTEM ASSY		1
544 25 08-01	THROTTLE CABLE		1
544 25 10-01	WIRING ASSY		1
544 25 14-01	SHORT CIRCUIT CABLE		1

**S Duo Balance**  
compl 537 27 57-01  
compl 537 27 57-03 US





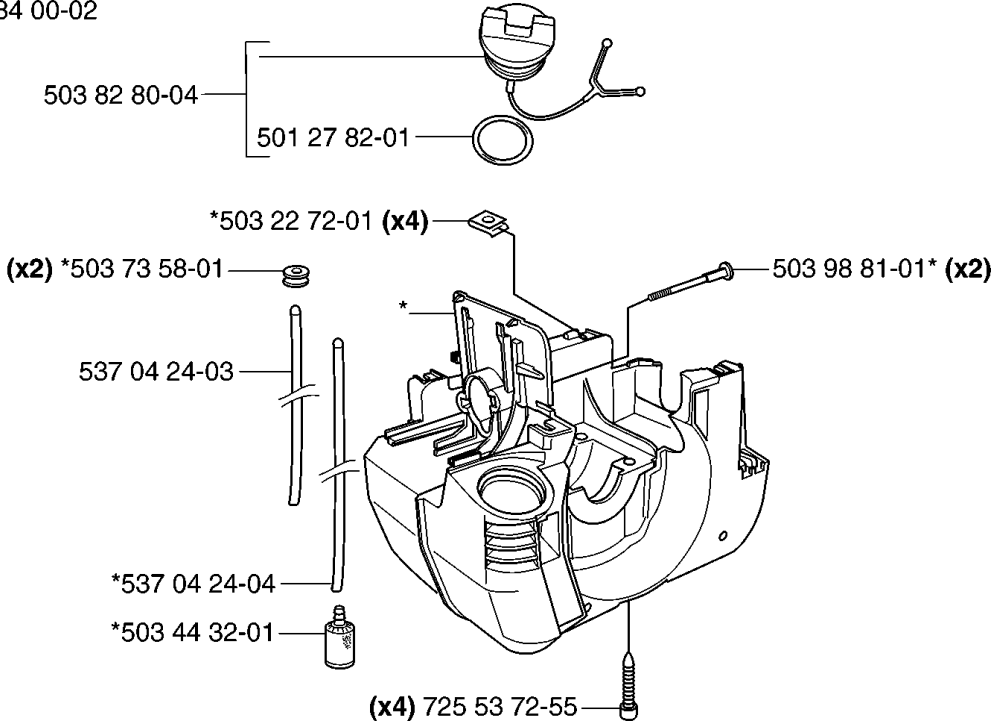
## HARNESS

232 R from 2014-12 -

Part No	Description	Remark	QTY KIT
502 02 28-01	HOOK		1
502 02 29-02	HOOK		1
502 02 30-02	LOCK		1
503 99 61-01	BAND		1
503 99 61-01	BAND		1
503 99 61-01	BAND		1
503 99 61-01	BAND		3
503 99 61-03	BAND		1
503 99 61-03	BAND		1
537 11 35-01	RETAINER		1
537 17 54-01	HIP PAD		3
537 27 57-01	HARNESS		1
537 27 57-03	HARNESS		1
537 27 59-01	HIP PAD		1
537 27 59-01	HIP PAD		1
537 28 83-01	FRONT PIECE		1
537 28 84-01	FRONT PIECE		1
586 34 10-01	SPRING		1
735 31 09-20	E-CLIP		1

**L**

**\*compl 503 84 00-02**

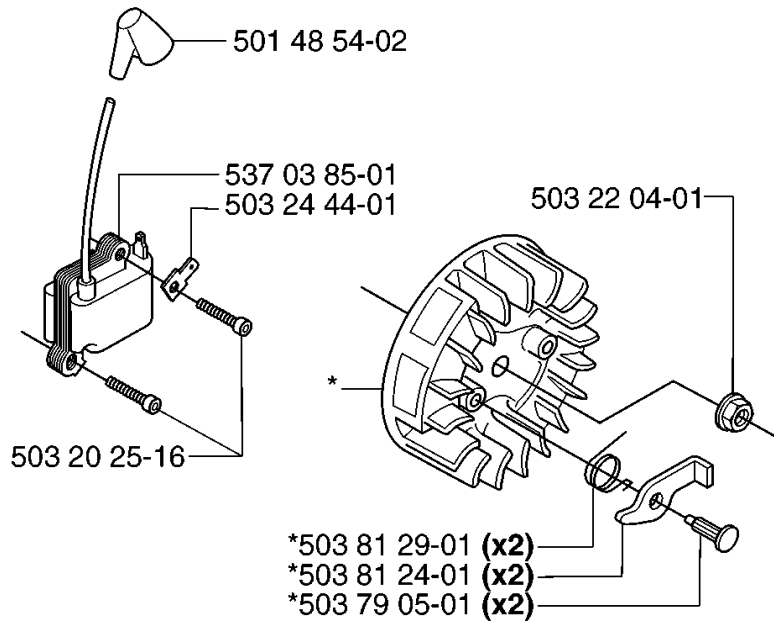


## HOUSING

232 R from 2014-12 -

Part No	Description	Remark	QTY KIT
501 27 82-01	GASKET		1
503 22 72-01	SPEED NUT		4
503 44 32-01	FILTER		1
503 73 58-01	BUSHING		2
503 82 80-04	TANK CAP ASSY		1
503 84 00-02	CRANKCASE		1
503 98 81-01	SCREW		2
537 04 24-03	FUEL HOSE		1
537 04 24-04	FUEL HOSE		1
725 53 72-55	SCREW IHSCM		4

**N** \*compl 503 79 06-01

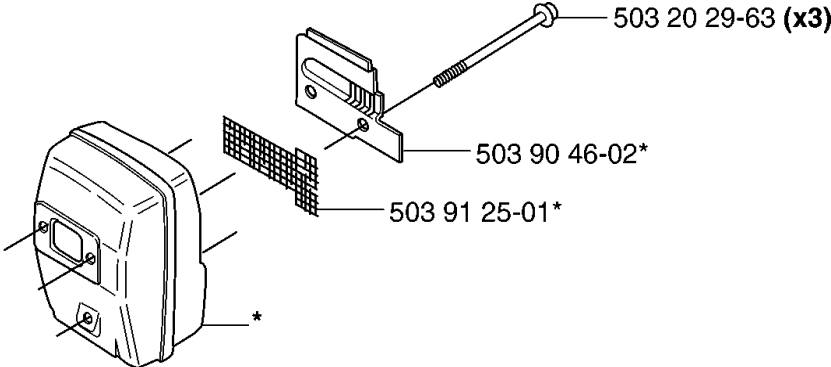


## IGNITION SYSTEM

232 R from 2014-12 -

Part No	Description	Remark	QTY KIT
501 48 54-02	SPARK PLUG CAP		1
503 20 25-16	SCREW IHSCM		1
503 22 04-01	NUT		1
503 24 44-01	FLAT PIN		1
503 79 05-01	RIVET		2
503 79 06-01	FLYWHEEL		1
503 81 24-01	STARTER PAWL		2
503 81 29-01	SPRING		2
537 03 85-01	ELECTRONIC MODULE		1

**J** \*compl 503 90 47-02

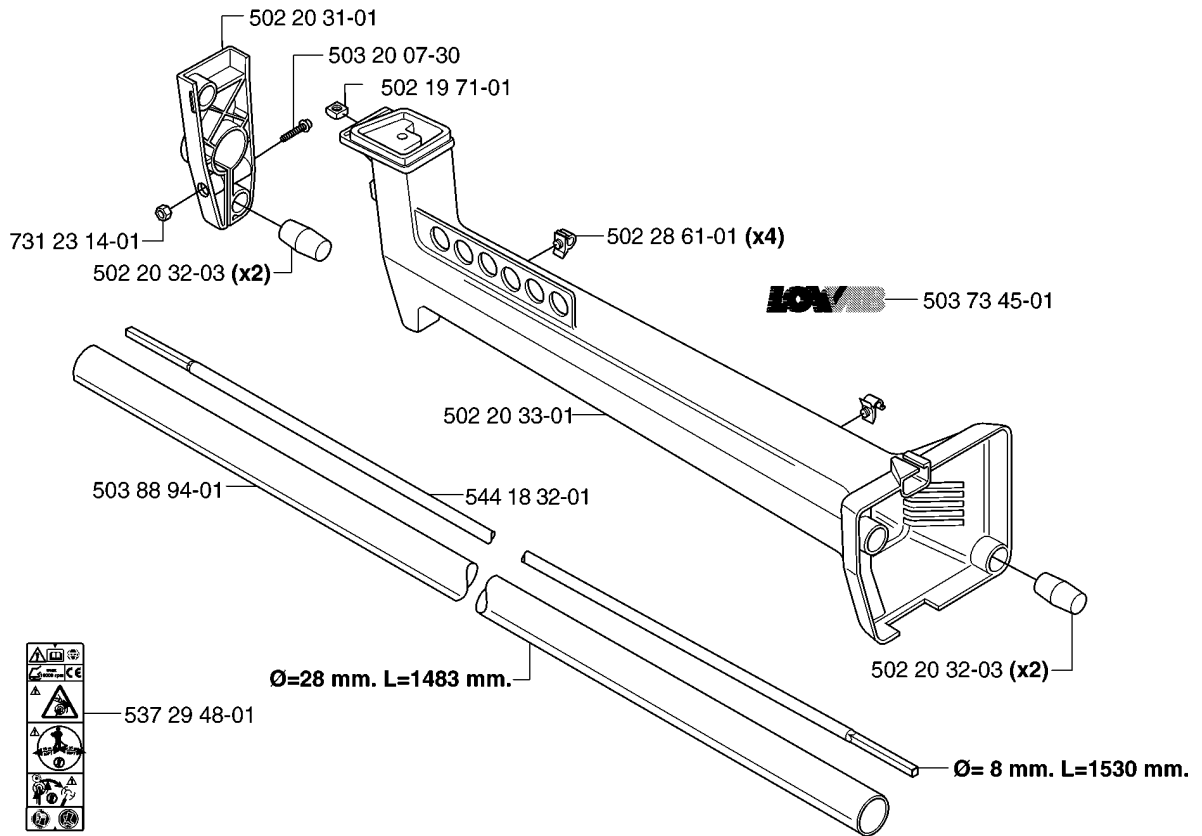


## MUFFLER

232 R from 2014-12 -

Part No	Description	Remark	QTY KIT
503 20 29-63	SCREW IHSCFM		3
503 90 46-02	EXHAUST DUCT		1
503 90 47-02	MUFFLER ASSY		1
503 91 25-01	SPARK ARRESTOR SCREEN		1

# B 235FR, 235R, 235RII



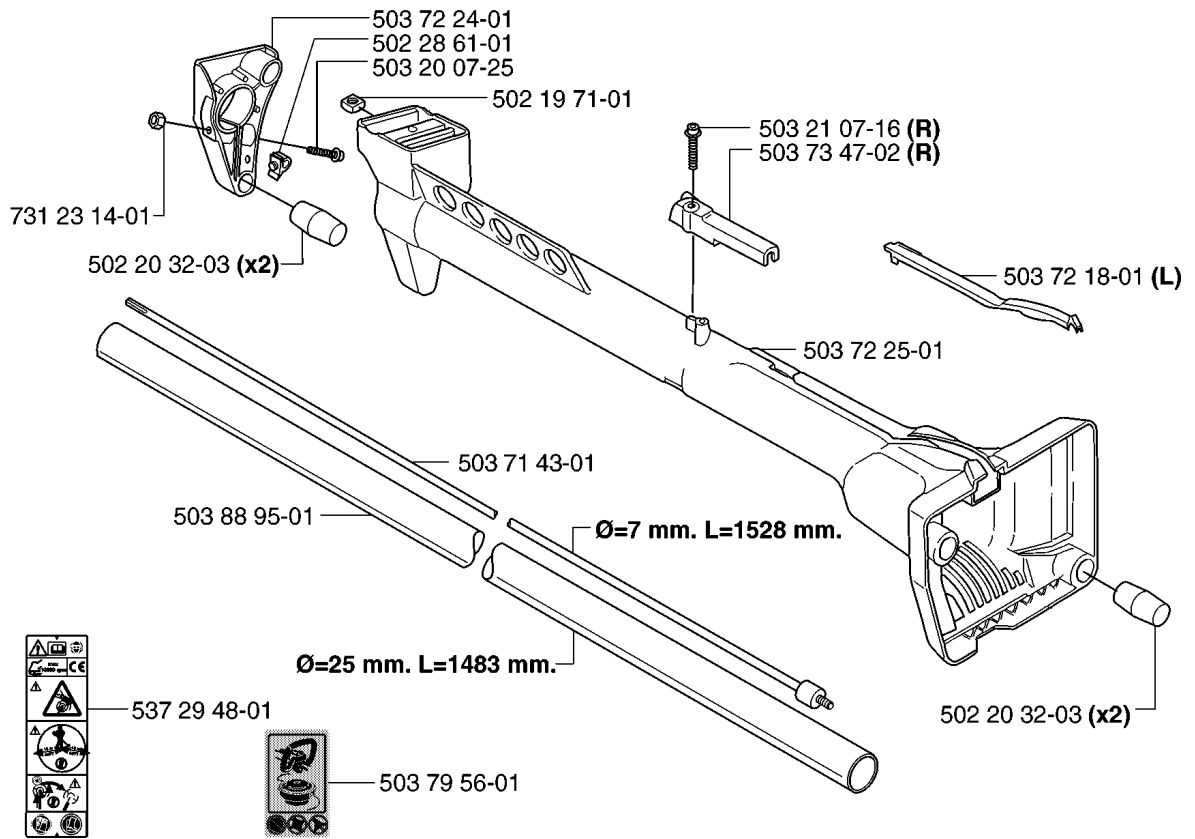


## SHAFT

232 R from 2014-12 -

Part No	Description	Remark	QTY KIT
502 19 71-01	SQUARE NUT		1
502 20 31-01	HOLDER ANTIVIBRATION		1
502 20 32-03	ANTIVIBRATION ELEMENT		2
502 20 32-03	ANTIVIBRATION ELEMENT		2
502 20 33-01	SUSPENSION		1
502 28 61-01	CLIPS		4
503 20 07-30	SCREW IHSCFM		1
503 73 45-01	LABEL		1
503 88 94-01	TUBE		1
537 29 48-01	LABEL		1
544 18 32-01	DRIVE SHAFT		1
731 23 14-01	HEXAGON NUT		1

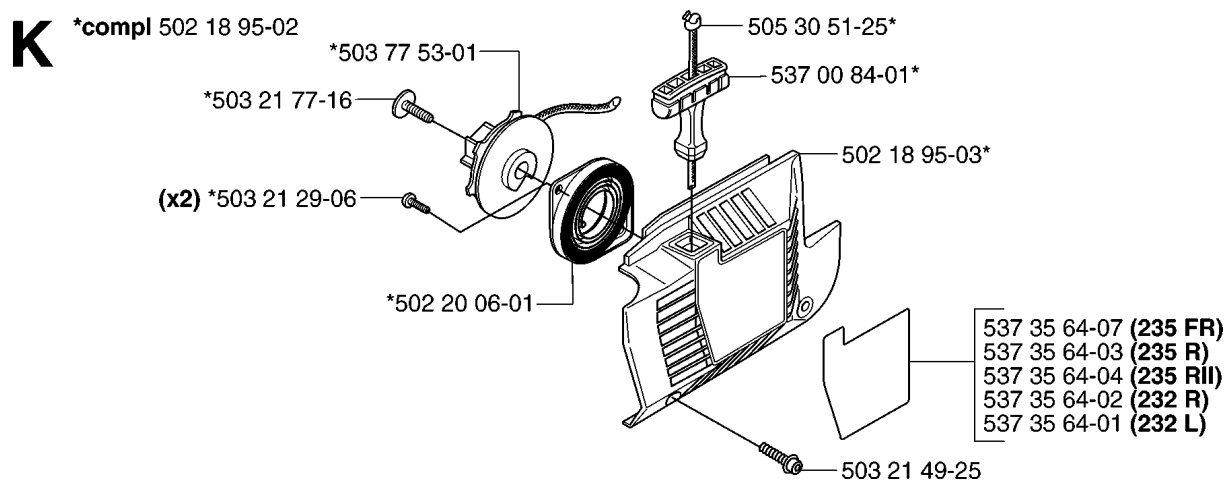
# B 232L, 232R



## SHAFT

232 R from 2014-12 -

Part No	Description	Remark	QTY KIT
502 19 71-01	SQUARE NUT		1
502 20 32-03	ANTIVIBRATION ELEMENT		2
502 20 32-03	ANTIVIBRATION ELEMENT		2
502 28 61-01	CLIPS		1
503 20 07-25	SCREW IHSCFM		1
503 21 07-16	SCREW IHSCFT		1
503 71 43-01	DRIVE SHAFT ASSY		1
503 72 18-01	COVER WIRING		1
503 72 24-01	HOLDER ANTIVIBRATION		1
503 72 25-01	SUSPENSION		1
503 73 47-02	LOCK KABLAGE STYRE		1
503 79 56-01	LABEL		1
503 88 95-01	TUBE		1
537 29 48-01	LABEL		1
731 23 14-01	HEXAGON NUT		1



## STARTER

232 R from 2014-12 -

Part No	Description	Remark	QTY KIT
502 18 95-02	STARTER		1
502 18 95-03	STARTER		1
502 20 06-01	SPRING CASSETTE ASSY		1
503 21 29-06	SCREW CCRPANT		2
503 21 49-25	SCREW IHSCFT		1
503 21 77-16	SCREW IHSCFT		1
503 77 53-01	STARTER PULLEY		1
505 30 51-25	STARTER CORD		1
537 00 84-01	STARTER HANDLE		1
537 35 64-01	LABEL		1
537 35 64-02	LABEL		1
537 35 64-03	LABEL		1
537 35 64-04	LABEL		1
537 35 64-07	LABEL		1

# Illustrated Parts List - IPL Update



Product Name(s)

**232R**

Description of change

New spring with improved durability

	Serial number / Date	Remark
Introduced from	2014-08	

Page Title	Ref. no	New part no	Name	Excl. part no.	Remark
Harness	16	586 34 10-01	Spring	502 02 38-01	

Comments

Fully interchangeable