



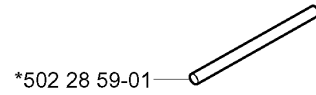
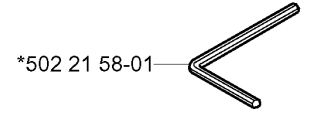
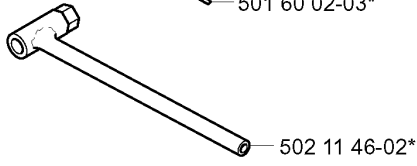
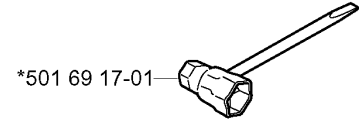
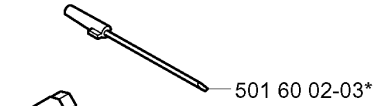
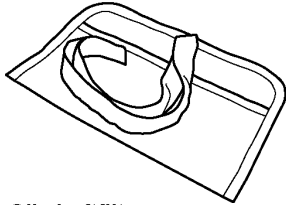
# SPARE PARTS LIST

BRUSHCUTTERS/CLEARING SAWS

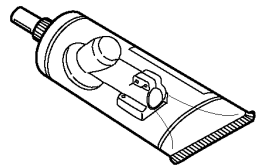
250 R from 2014-12

**S** Accessories  
**Zubehöre**  
**Accessoires**  
**Accesorios**  
**Tillbehör**

\*compl 502 27 33-03

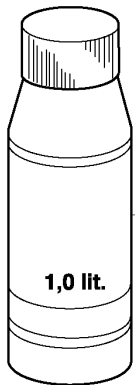


**Olja Luftfilter**  
**Oil Airfilter**  
**Öl Luftfilter**  
**Aceite Filtro Air**  
**Huile Filtera aire**



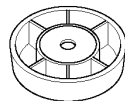
501 60 02-03\*  
 502 11 46-02\*  
 501 19 22-01\*  
 501 68 89-01

537 30 66-01  
**Trio Balance**

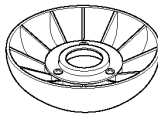


531 00 92-48

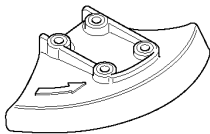
**1,0 lit.**



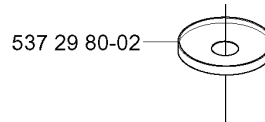
503 90 18-01



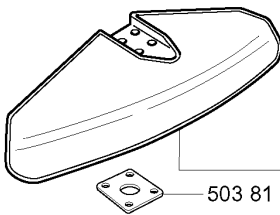
502 15 70-01



537 21 71-01 (200 mm)  
 502 03 94-03 (225 mm)

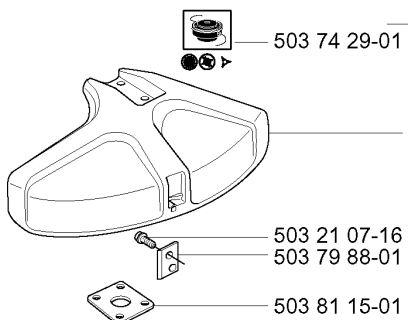
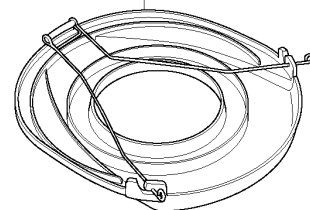


537 29 80-02



503 81 15-01 compl 502 26 34-01

537 31 29-01 (200-275 mm)

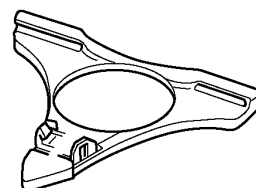


503 74 29-01

503 21 07-16 compl 503 91 60-01

503 79 88-01

503 81 15-01



502 26 23-01

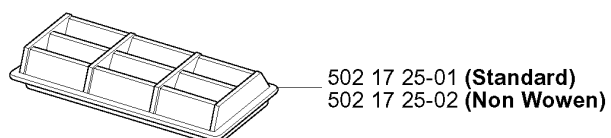
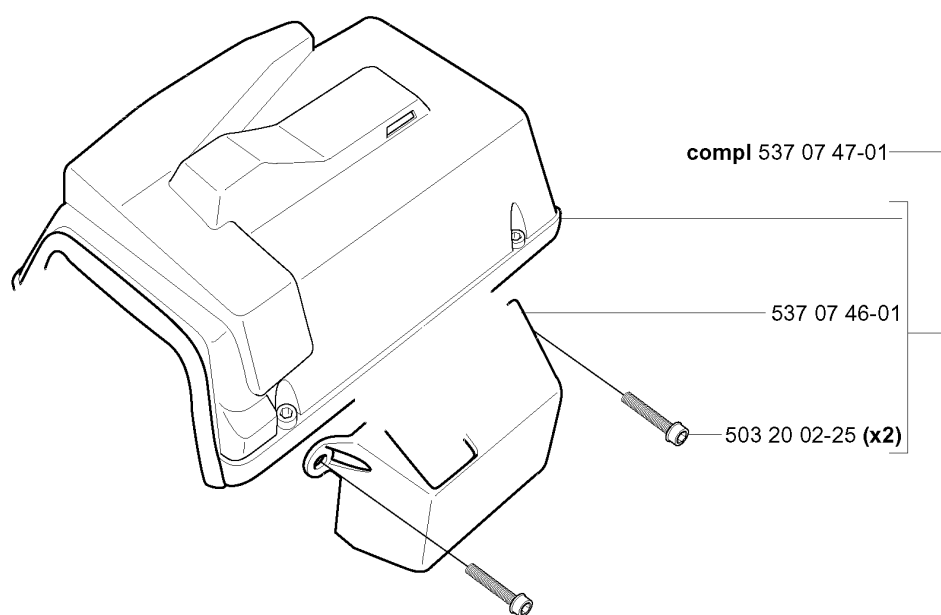
## ACCESSORIES

250 R from 2014-12

Part No	Description	Remark	QTY KIT
501 19 22-01	TOOL		1
501 60 02-03	SCREWDRIVER		1
501 68 89-01	SLEEVE TOOL		1
501 69 17-01	COMBINATION WRENCH		1
502 03 94-03	SAW BLADE GUARD	225 MM	1
502 11 46-02	SOCKET WRENCH		1
502 15 70-01	SUPPORT CUP		1
502 21 58-01	WRENCH		1
502 26 23-01	TRANSPORT GUARD		1
502 26 34-01	SPLASH GUARD		1
502 27 33-03	TOOL KIT		1
502 28 59-01	STOP		1
503 21 07-16	SCREW IHSCT		1
503 74 29-01	DECAL		1
503 79 88-01	BLADE		1
503 81 15-01	BASEPLATE		1
503 81 15-01	BASEPLATE		1
503 90 18-01	SUPPORT CUP		1
503 91 60-01	TRIMMER GUARD		1
503 97 64-01	GREASE		1
531 00 92-48	FILTER OIL		1
537 21 71-01	SAW BLADE GUARD	200 MM	1
537 29 80-02	CUP		1
537 30 66-01	BAG	TRIO BALANCE	1
537 31 29-01	TRANSPORT GUARD	200-275 MM	1

**T** Delivery as spare part only  
Nur als Ersatzteil lieferbar  
Livrabl seulement comme pièce de rechange  
Solo como repuesto  
Leveras endast som reservdel

Vintersats  
Winter kit  
Wintersatz  
Dispositif hivernal  
Juego para uso invernal  
compl 537 07 47-01

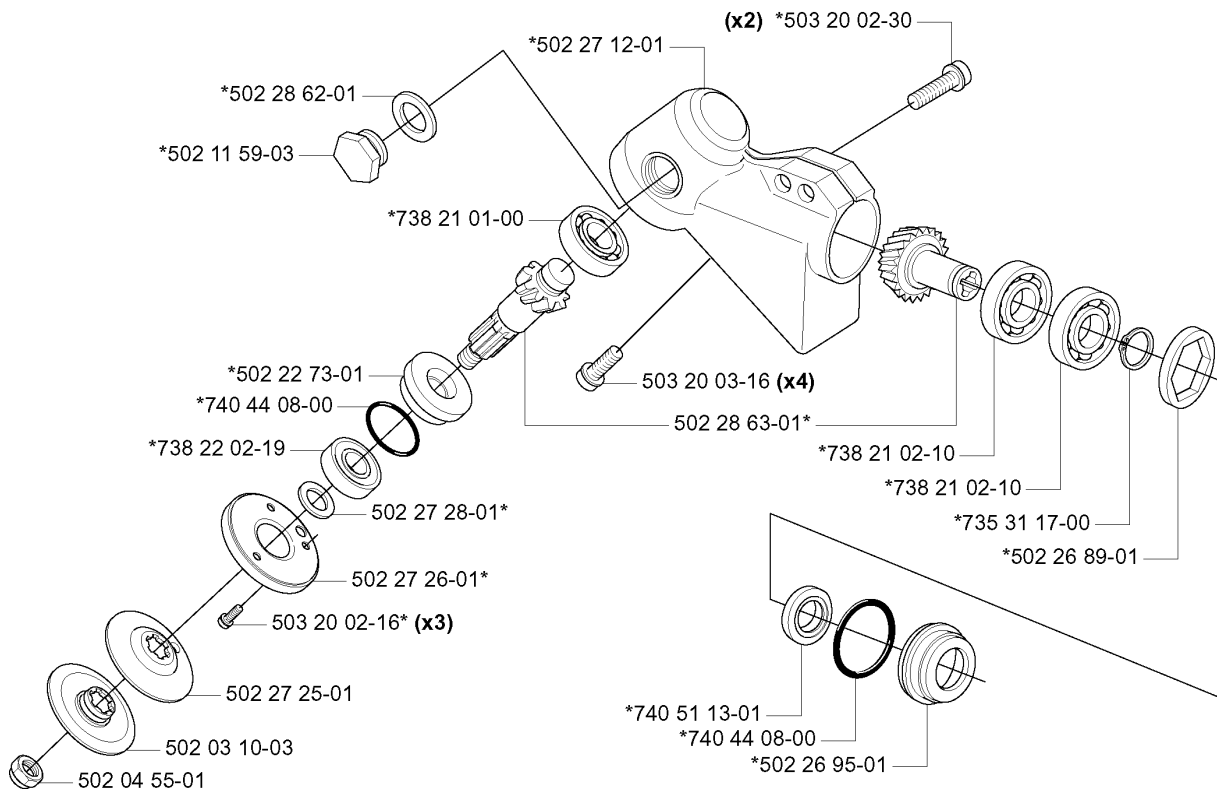


## ACCESSORIES

250 R from 2014-12

Part No	Description	Remark	QTY KIT
502 17 25-01	AIR FILTER ASSY	STANDARD	1
502 17 25-02	AIR FILTER ASSY	NON WOWEN	1
503 20 02-25	SCREW IHSCFM		2
537 07 46-01	WINTER COVER		1
537 07 47-01	WINTER KIT	VINTERSATS WINTER KIT	1
537 07 47-01	WINTER KIT		1

**A** \*compl 502 27 11-02

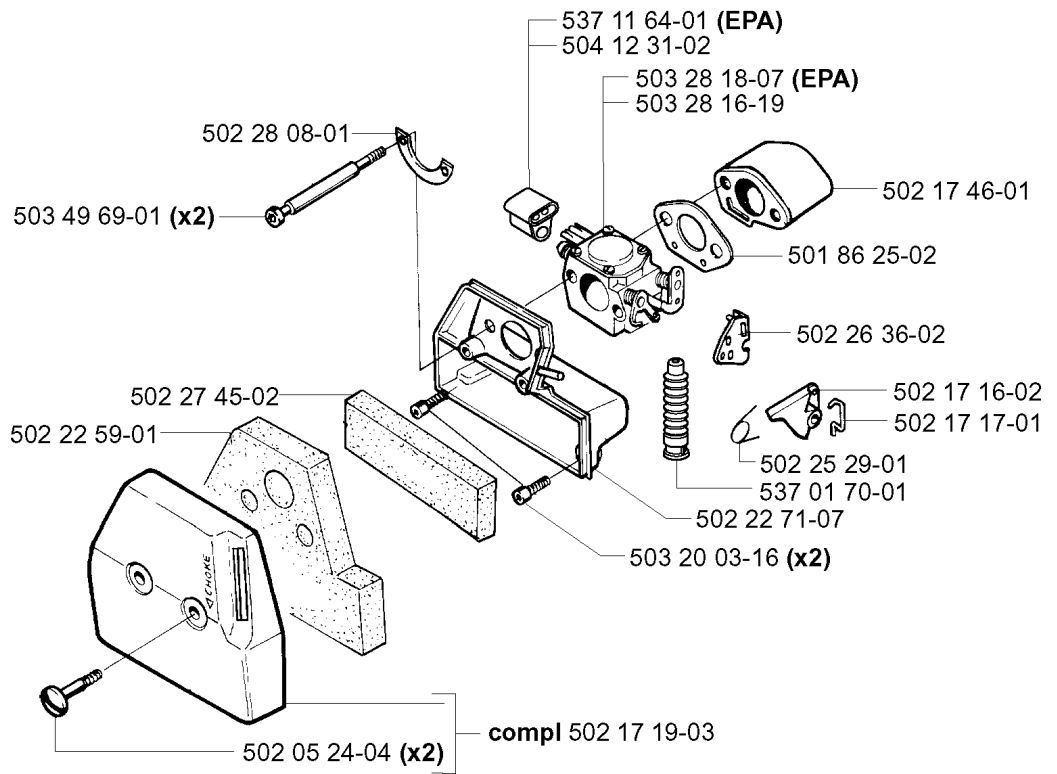


## BEVEL GEAR

250 R from 2014-12

Part No	Description	Remark	QTY KIT
502 03 10-03	SUPPORT FLANGE ASSY		1
502 04 55-01	NUT		1
502 11 59-03	PLUG		1
502 22 73-01	SEALING COLLAR		1
502 26 89-01	CIRCLIP		1
502 26 95-01	SEALING RING HOLDER		1
502 27 11-02	GEAR HOUSING ASSY		1
502 27 12-01	GEAR HOUSING		1
502 27 25-01	DRIVER		1
502 27 26-01	GEAR CASE COVER		1
502 27 28-01	WASHER		1
502 28 62-01	WASHER		1
502 28 63-01	GEAR WHEEL		1
503 20 02-16	SCREW IHSCFM		3
503 20 02-30	SCREW IHSCFM		2
503 20 03-16	SCREW IHSCFM		4
735 31 17-00	CIRCLIP		1
738 21 01-00	BALL BEARING		1
738 21 02-10	BALL BEARING		1
738 21 02-10	BALL BEARING		1
738 22 02-19	BALL BEARING		1
740 44 08-00	O-RING		1
740 44 08-00	O-RING		1
740 51 13-01	SEALING RING		1

**L**





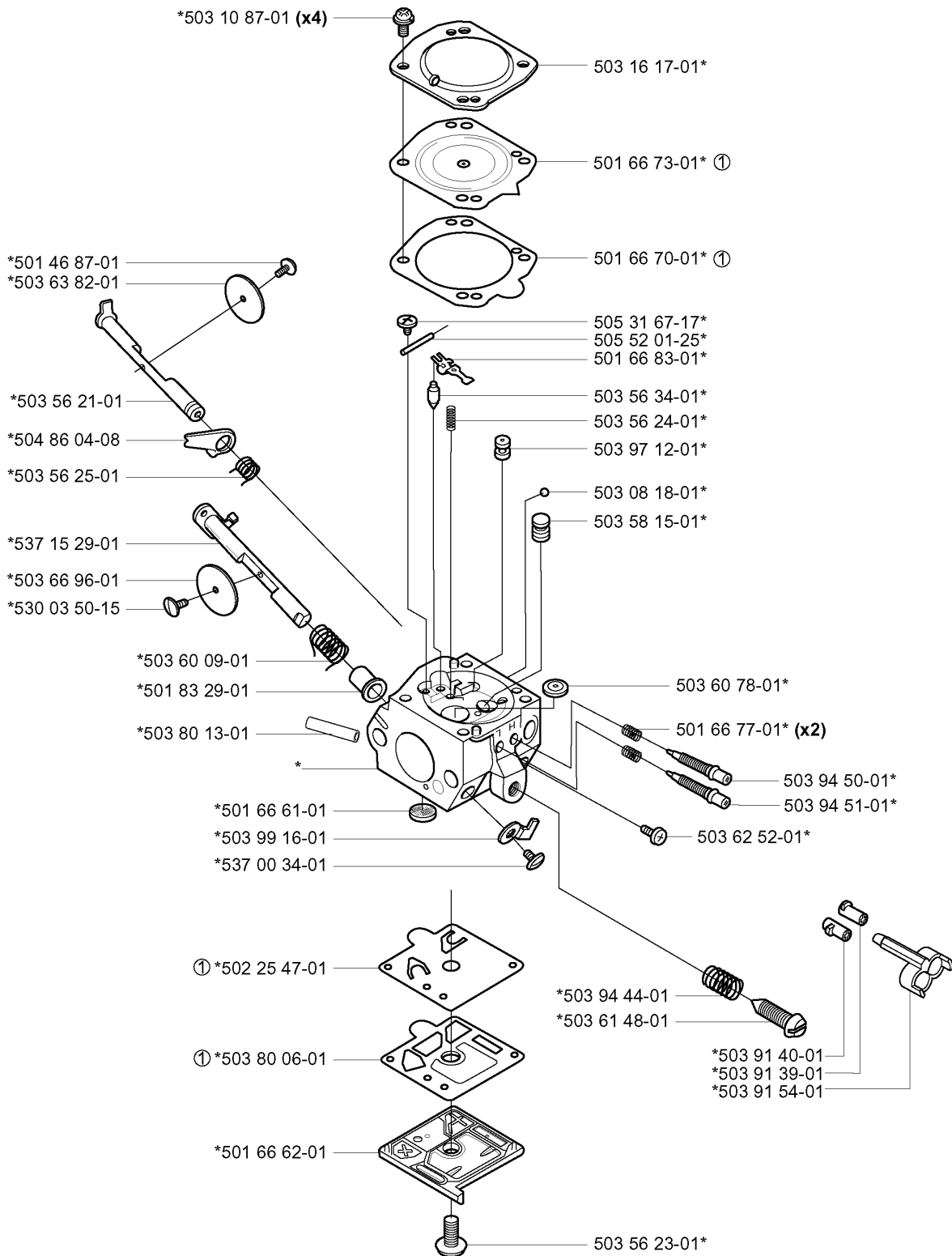
## CARBURETOR &amp; AIR FILTER

250 R from 2014-12

Part No	Description	Remark	QTY KIT
501 86 25-02	GASKET		1
502 05 24-04	SCREW		2
502 17 16-02	CHOKE CONTROL		1
502 17 17-01	LÄNKTRÅD		1
502 17 19-03	FILTER COVER		1
502 17 46-01	MANIFOLD		1
502 22 59-01	AIR FILTER		1
502 22 71-07	FILTER HOLDER		1
502 25 29-01	SPRING		1
502 26 36-02	LEVER		1
502 27 45-02	PREFILTER		1
502 28 08-01	WASHER		1
503 20 03-16	SCREW IHSCFM		2
503 28 16-19	CARBURETTOR		1
503 28 18-07	CARBURETTOR	EPA	1
503 49 69-01	SCREW		2
504 12 31-02	CHISEL GUIDE		1
537 01 70-01	BELLOWS		1
537 11 64-01	GUIDE BUSHING	EPA	1

**R** \*compl 503 28 18-07 Walbro HDA 187 (EPA)

# Walbro HDA-187

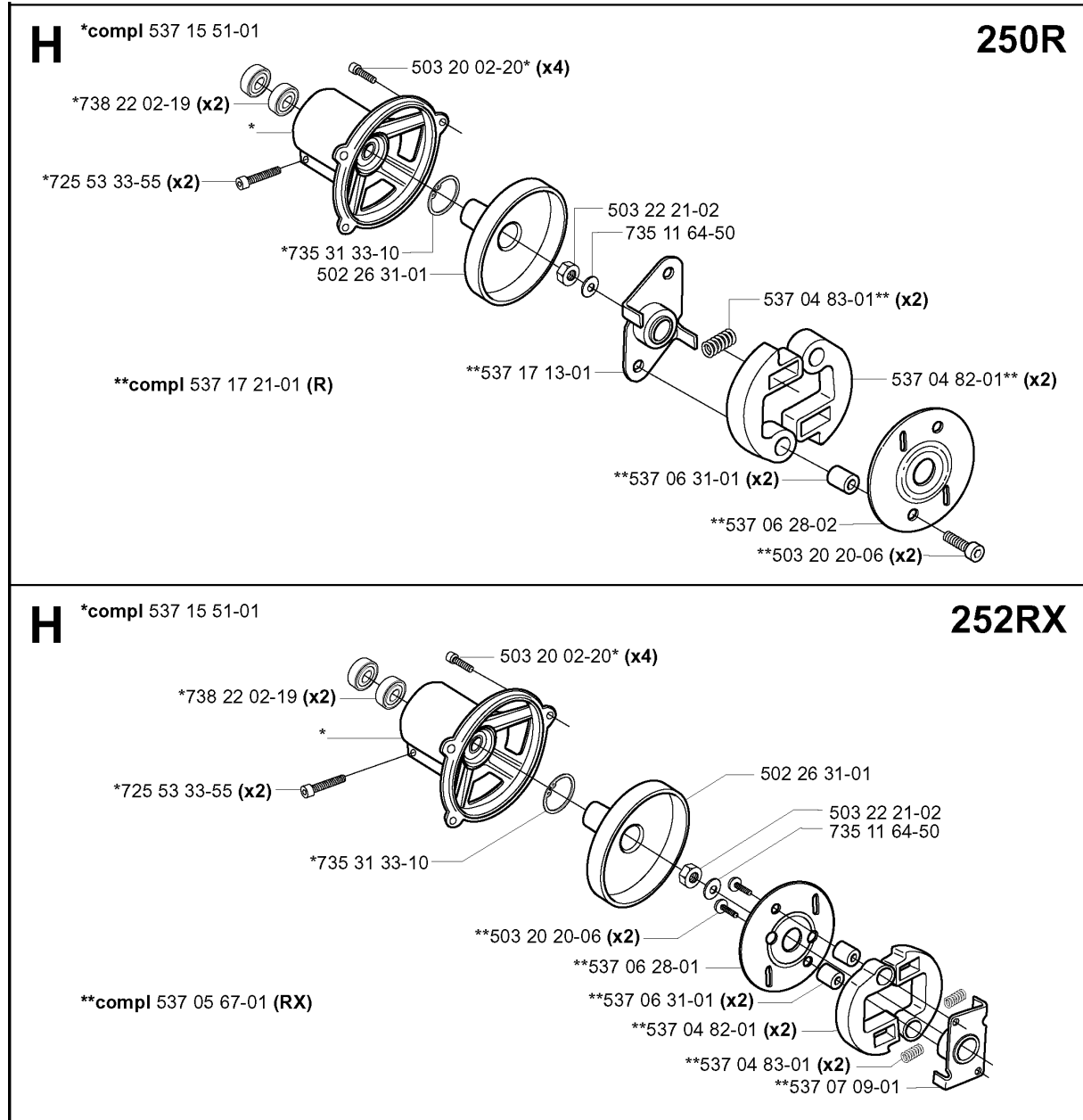


① 531 00 45-21  
**Set of gaskets**  
**Dichtungssatz**  
**Jeu de joints**  
**Juego de juntas**  
**Packningssats**

## CARBURETOR DETAILS

250 R from 2014-12

Part No	Description	Remark	QTY KIT
501 46 87-01	SCREW		1
501 66 61-01	SCREEN		1
501 66 62-01	COVER		1
501 66 70-01	GASKET	531 00 45-21 SET OF GASKETS	1
501 66 73-01	GASKET KIT	531 00 45-21 SET OF GASKETS	1
501 66 77-01	SPRING		2
501 66 83-01	LEVER-METERING		1
501 83 29-01	BUSHING		1
502 25 47-01	DIAPHRAGM PUMP	531 00 45-21 SET OF GASKETS	1
503 08 18-01	PLUG		1
503 10 87-01	SCREW		4
503 16 17-01	COVER		1
503 28 18-07	CARBURETTOR	WALBRO HDA 187 (EPA)	1
503 56 21-01	SHAFT ASSY		1
503 56 23-01	SCREW		1
503 56 24-01	SPRING		1
503 56 25-01	SPRING		1
503 56 34-01	INLET		1
503 58 15-01	NOZZLE ASSY		1
503 60 09-01	SPRING		1
503 60 78-01	PLUG WELCH		1
503 61 48-01	SCREW		1
503 62 52-01	SCREW ASSY		1
503 63 82-01	VALVE CHOKE		1
503 66 96-01	VALVE THROTTLE		1
503 80 06-01	GASKET	531 00 45-21 SET OF GASKETS	1
503 80 13-01	FITTING		1
503 91 39-01	LIMITER CAP		1
503 91 40-01	LIMITER CAP		1
503 91 54-01	RETAINER		1
503 94 44-01	SPRING		1
503 94 50-01	NEEDLE		1
503 94 51-01	NEEDLE		1
503 97 12-01	JET		1
503 99 16-01	LEVER		1
504 86 04-08	LEVER		1
505 31 67-17	SCREW		1
505 52 01-25	PIN-METERING LEVER		1
530 03 50-15	SCREW		1
537 00 34-01	SCREW		1
537 15 29-01	SHAFT ASSY		1

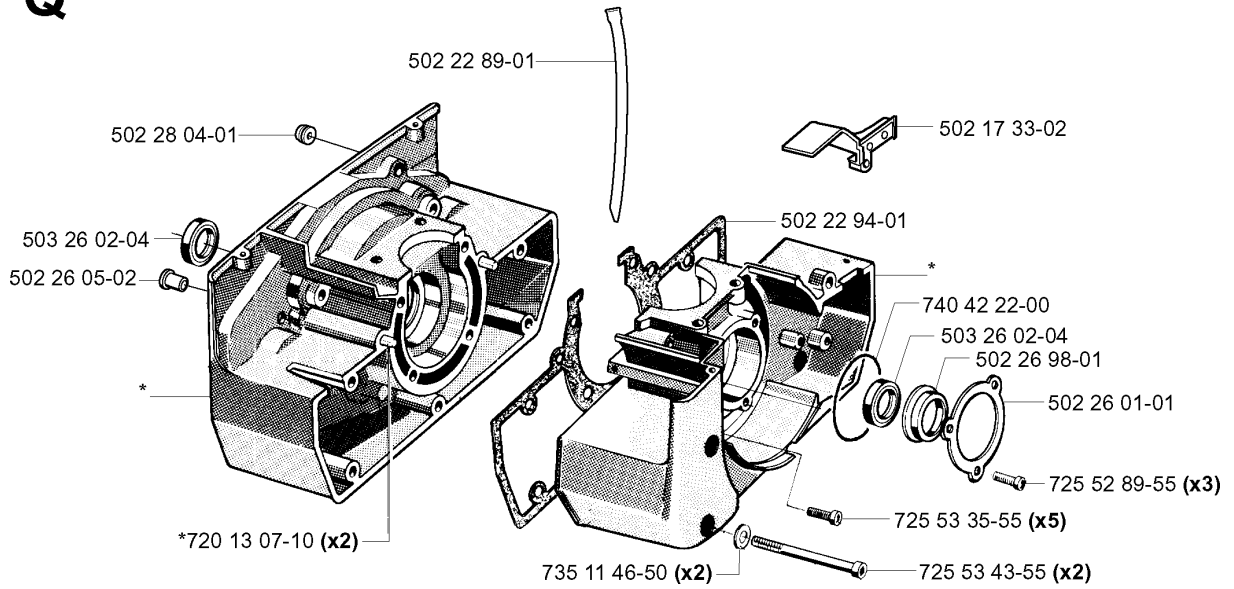


## CLUTCH

250 R from 2014-12

Part No	Description	Remark	QTY KIT
502 26 31-01	CLUTCH DRUM ASSY		1
503 20 02-20	SCREW IHSCFM		4
503 20 20-06	SCREW IHSCM		2
503 22 21-02	LOCK NUT		1
537 04 82-01	CLUTCH SHOE		2
537 04 83-01	CLUTCH SPRING		2
537 05 67-01	CLUTCH ASSY	RX	1
537 06 28-01	WASHER		1
537 06 28-02	WASHER		1
537 06 31-01	BEARING BUSH		2
537 07 09-01	CLUTCH		1
537 15 51-01	KIT		1
537 17 13-01	CLUTCH		1
537 17 21-01	CLUTCH ASSY		1
725 53 33-55	SCREW IHSCM		2
735 11 64-50	SPRING WASHER		1
735 31 33-10	CIRCLIP		1
738 22 02-19	BALL BEARING		2

**Q** \*compl 502 17 35-05

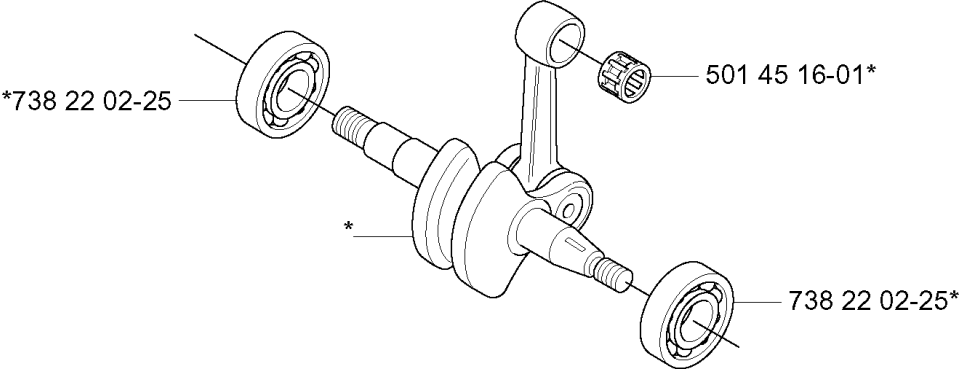


## CRANKCASE

250 R from 2014-12

Part No	Description	Remark	QTY KIT
502 17 33-02	BACKING PLATE		1
502 17 35-05	CRANKCASE		1
502 22 89-01	HOSE		1
502 22 94-01	CRANKCASE		1
502 26 01-01	BEARING CAGE		1
502 26 05-02	BUSHING		1
502 26 98-01	SEALING RING HOLDER		1
502 28 04-01	GROMMET		1
503 26 02-04	SEALING RING		1
503 26 02-04	SEALING RING		1
720 13 07-10	PARALLEL PIN		2
725 52 89-55	SCREW IHSCM		3
725 53 35-55	SCREW IHSCM		5
725 53 43-55	SCREW IHSCM		2
735 11 46-50	SPRING WASHER		2
740 42 22-00	O-RING		1

**P** \*compl 502 05 08-74



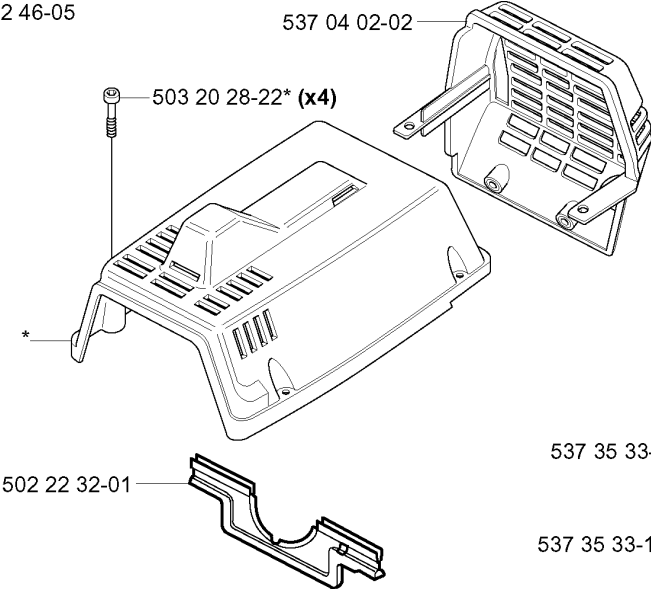


CRANKSHAFT

250 R from 2014-12

Part No	Description	Remark	QTY KIT
501 45 16-01	NEEDLE BEARING		1
502 05 08-74	CRANKSHAFT ASSY		1
738 22 02-25	BALL BEARING		1
738 22 02-25	BALL BEARING		1

**G** \*compl 502 22 46-05



537 35 33-11 (250R) — **250 R**  
**Husqvarna**

537 35 33-12 (252RX) — **252 RX**  
**Husqvarna**

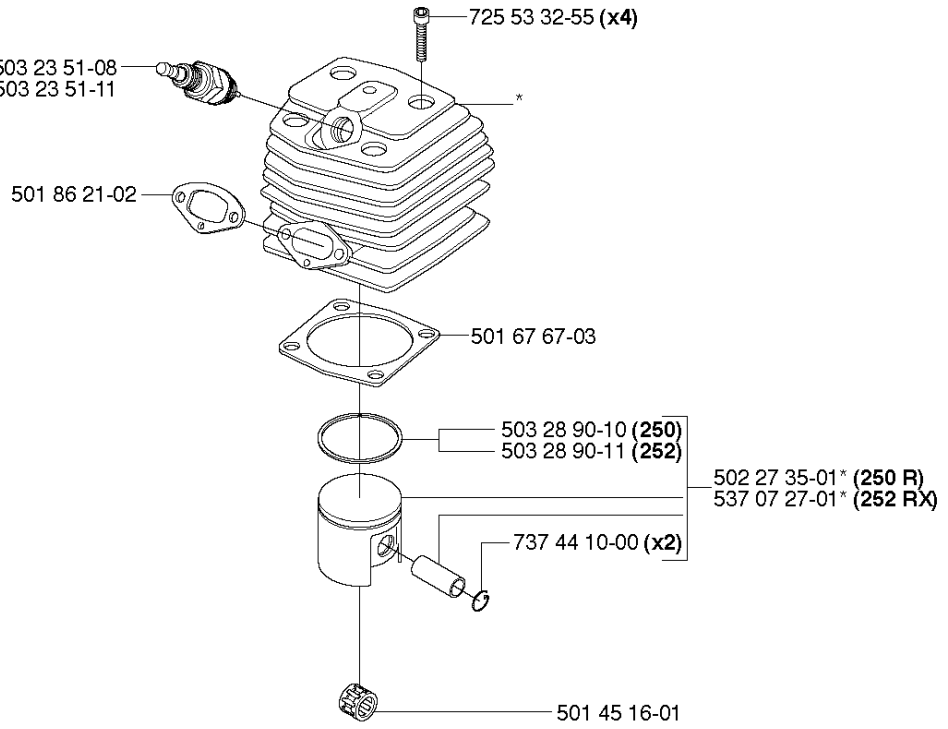
## CYLINDER COVER

250 R from 2014-12

Part No	Description	Remark	QTY KIT
502 22 32-01	SEALING COLLAR		1
502 22 46-05	CYLINDER COVER ASSY		1
503 20 28-22	SCREW IHSCMO		4
537 04 02-02	HEAT PROTECTOR		1
537 35 33-11	LABEL	250R	1
537 35 33-12	LABEL	252RX	1

**N** \*compl 502 27 34-01 (250 R Ø 44 mm)  
\*compl 502 22 77-02 (252 RX Ø 45 mm)

Champion RCJ 7Y 503 23 51-08  
NGK BPMR 7A 503 23 51-11

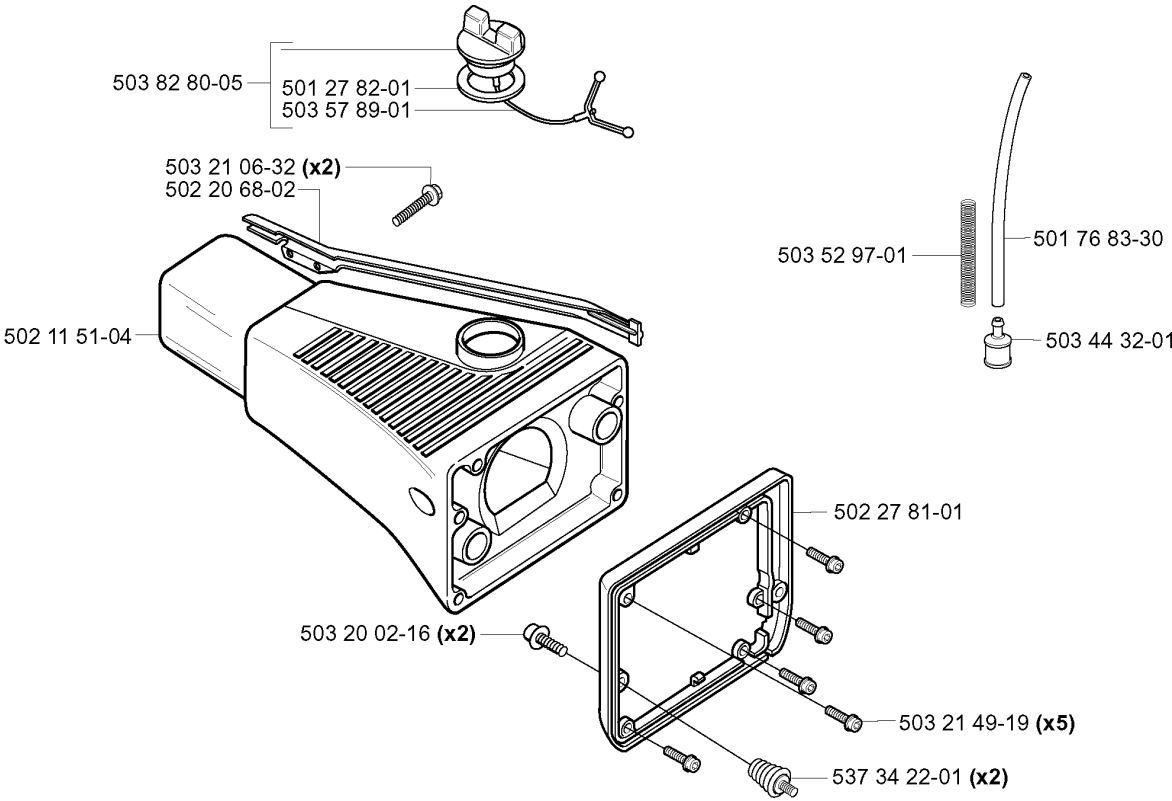


## CYLINDER PISTON

250 R from 2014-12

Part No	Description	Remark	QTY KIT
501 45 16-01	NEEDLE BEARING		1
501 67 67-03	CYLINDER BASE GASKET		1
501 86 21-02	GASKET		1
502 22 77-02	CYLINDER ASSY	252 RX DIA. 45 MM	1
502 27 34-01	CYLINDER	250 R DIA. 44 MM	1
502 27 35-01	PISTON ASSY	250 R	1
503 23 51-08	SPARK PLUG	CHAMPION RCJ 7Y	1
503 23 51-11	SPARK PLUG	NGK BPMR 7A	1
503 28 90-10	PISTON RING	250	1
503 28 90-11	PISTON RING	252	1
537 07 27-01	PISTON ASSY	252 RX	1
725 53 32-55	SCREW		4
737 44 10-00	SNAP RING		2

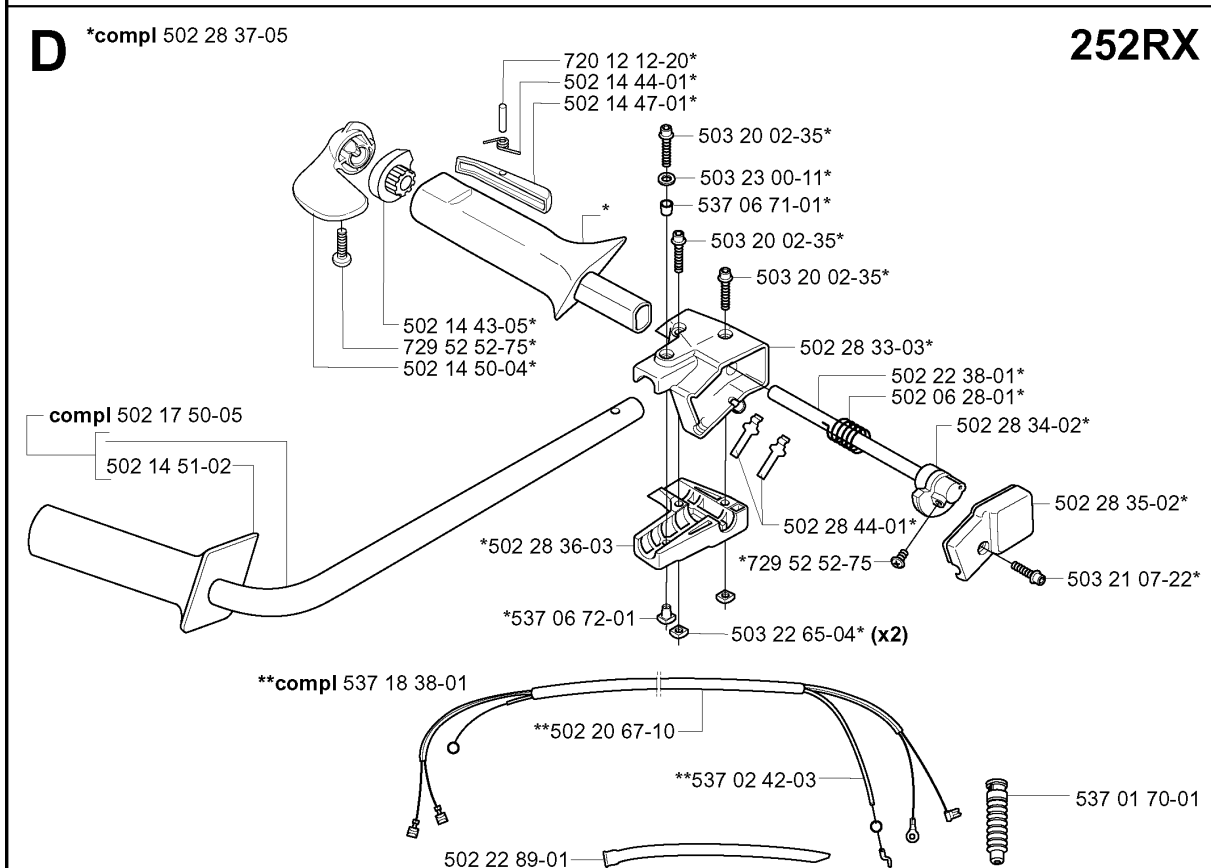
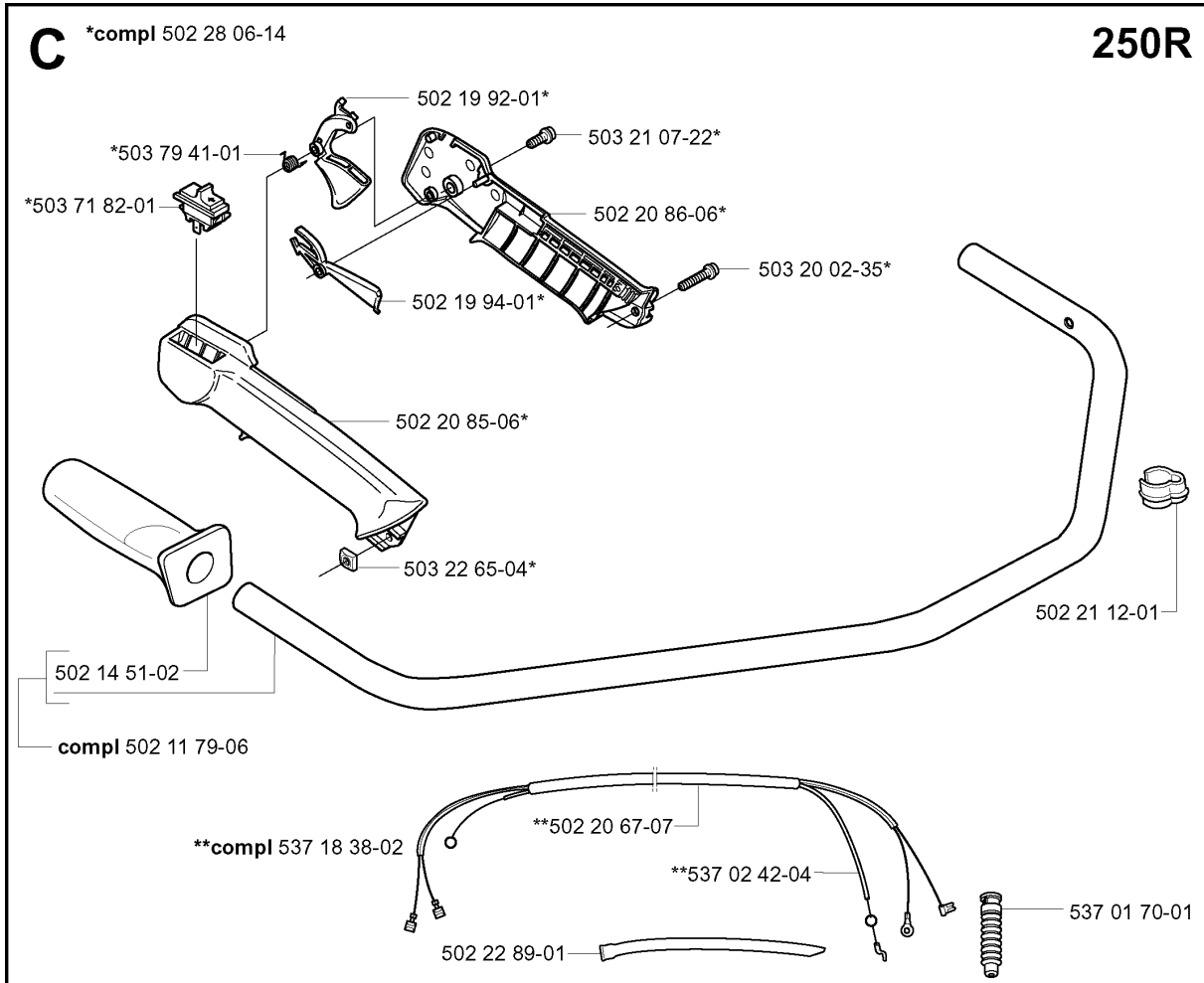
**F**



## FUEL TANK

250 R from 2014-12

Part No	Description	Remark	QTY KIT
501 27 82-01	GASKET		1
501 76 83-30	FUEL HOSE		1
502 11 51-04	FUEL TANK ASSY		1
502 20 68-02	COVER		1
502 27 81-01	TANK ANSLUTNING		1
503 20 02-16	SCREW IHSCFM		2
503 21 06-32	SCREW IHSCFT		2
503 21 49-19	SCREW IHSCFT		5
503 44 32-01	FUEL FILTER		1
503 52 97-01	SPRING		1
503 57 89-01	HOLDER		1
503 82 80-05	TANK CAP ASSY		1
537 34 22-01	ANTIVIBRATION ELEMENT		2



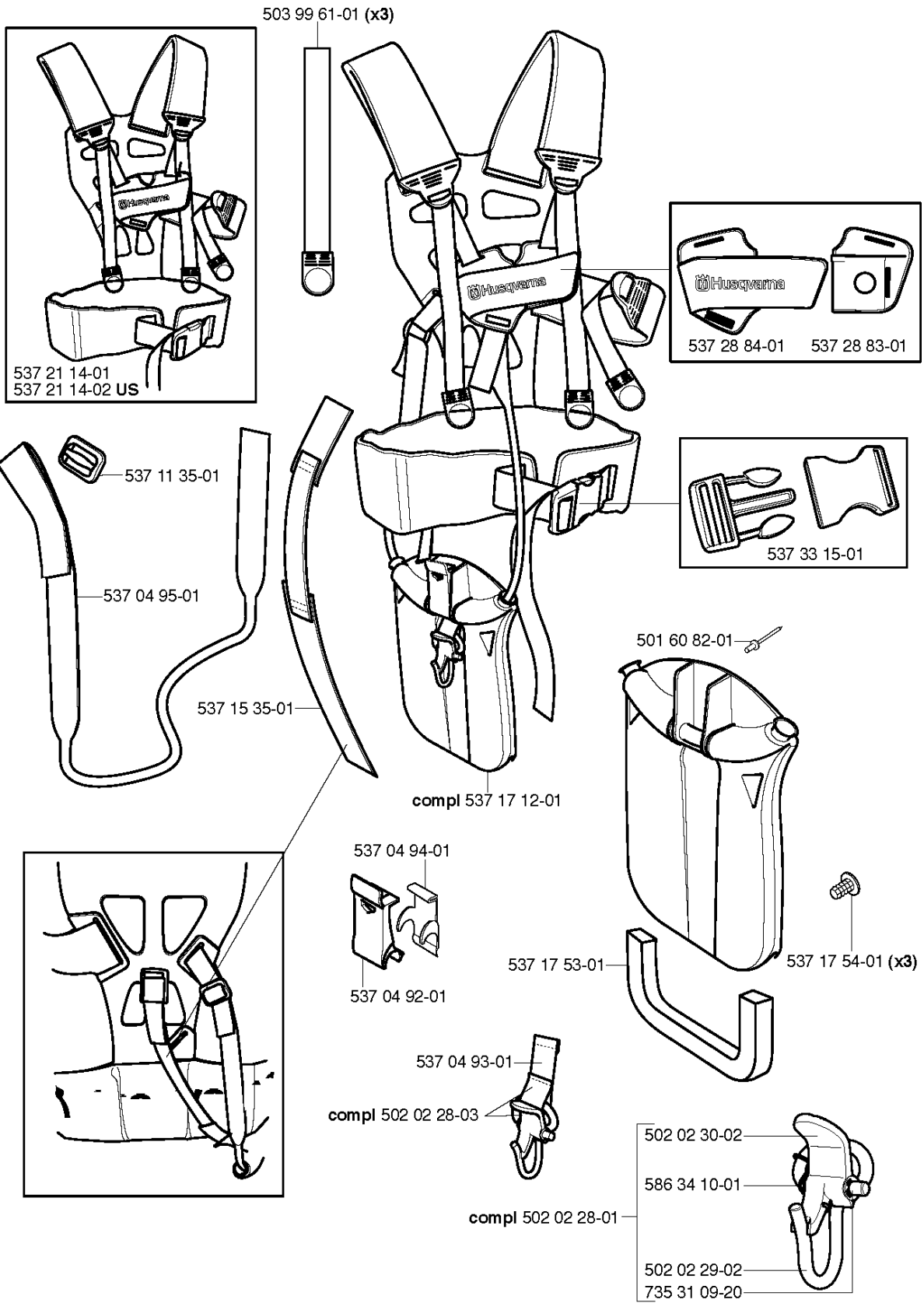


## HANDLE &amp; CONTROLS

250 R from 2014-12

Part No	Description	Remark	QTY KIT
502 06 28-01	RECOIL SPRING		1
502 11 79-06	HANDLEBAR		1
502 14 43-05	BUSHING		1
502 14 44-01	SPRING		1
502 14 47-01	THROTTLE LOCKOUT		1
502 14 50-04	THROTTLE TRIGGER		1
502 14 51-02	HANDLE		1
502 17 50-05	HANDLEBAR LEFT		1
502 19 92-01	THROTTLE TRIGGER		1
502 19 94-01	THROTTLE LOCKOUT		1
502 20 67-07	PROTECTIVE HOSE		1
502 20 67-10	PROTECTIVE HOSE		1
502 20 85-06	HANDLE HALF		1
502 20 86-06	HANDLE HALF		1
502 21 12-01	STAPLE		1
502 22 38-01	PIPE		1
502 22 89-01	HOSE		1
502 28 06-14	HANDLE		1
502 28 33-03	HANDLE		1
502 28 34-02	STARTER PULLEY		1
502 28 35-02	HUB CAP		1
502 28 36-03	CLAMP		1
502 28 37-05	THROTTLE HANDLE ASSY		1
502 28 44-01	SPRING		1
503 20 02-35	SCREW IHSCFM		1
503 20 02-35	SCREW IHSCFM		1
503 20 02-35	SCREW IHSCFM		1
503 21 07-22	SCREW IHSCFM		1
503 22 65-04	SQUARE NUT		2
503 23 00-11	WASHER		1
503 71 82-01	SWITCH		1
503 79 41-01	RECOIL SPRING		1
537 01 70-01	BELLOWS		1
537 02 42-03	THROTTLE WIRE		1
537 02 42-04	THROTTLE WIRE		1
537 06 71-01	SLEEVE		1
537 06 72-01	NUT SQUARE		1
537 18 38-01	WIRING ASSY		1
537 18 38-02	WIRING ASSY		1
720 12 12-20	PARALLEL PIN		1
729 52 52-75	SCREW CRPANT		1
729 52 52-75	SCREW CRPANT		1

**U** Trio Balance  
compl 531 00 92-08  
compl 531 00 92-09 US

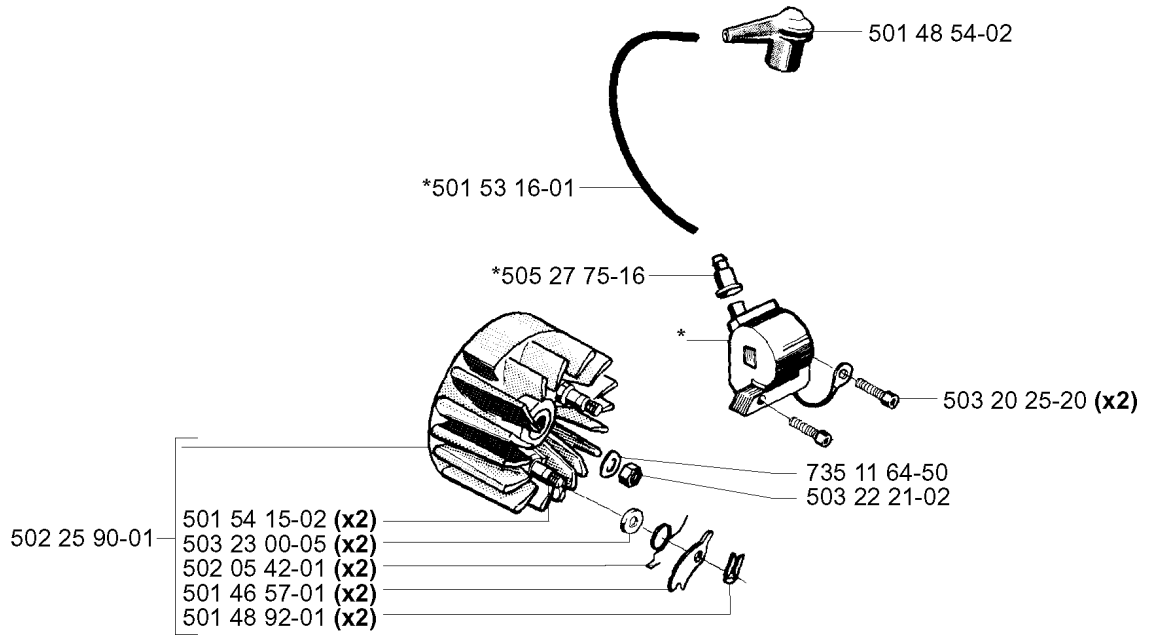


## HARNESS

250 R from 2014-12

Part No	Description	Remark	QTY KIT
501 60 82-01	HARNESS		1
502 02 28-01	HOOK		1
502 02 28-03	WELT HOOK		1
502 02 29-02	HOOK		1
502 02 30-02	LOCK		1
503 99 61-01	BAND		3
531 00 92-08	HARNESS		1
531 00 92-09	HARNESS	US	1
537 04 92-01	HIP PAD		1
537 04 93-01	HIP PAD		1
537 04 94-01	HIP PAD		1
537 04 95-01	BAND		1
537 11 35-01	RETAINER		1
537 15 35-01	STRAP		1
537 17 12-01	HIP PAD		1
537 17 53-01	HIP PAD		1
537 17 54-01	HIP PAD		3
537 21 14-01	HARNESS		1
537 21 14-02	HARNESS	US	1
537 28 83-01	FRONT PIECE		1
537 28 84-01	FRONT PIECE		1
537 33 15-01	BUCKLE		1
586 34 10-01	SPRING		1
735 31 09-20	E-CLIP		1

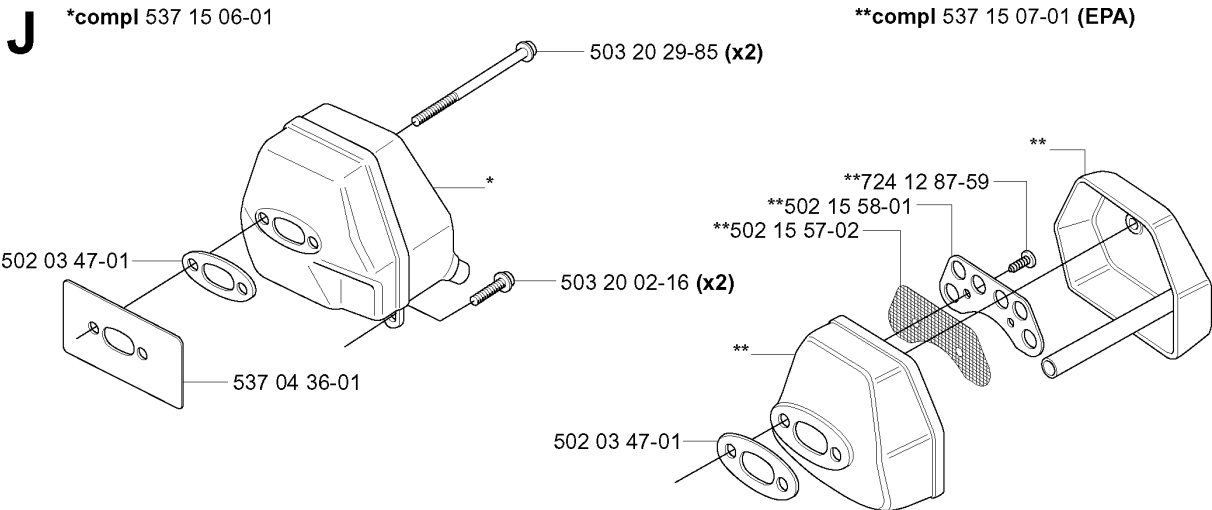
**M** \*compl 537 15 00-01



## IGNITION SYSTEM

250 R from 2014-12

Part No	Description	Remark	QTY KIT
501 46 57-01	PAWL		2
501 48 54-02	SPARK PLUG CAP		1
501 48 92-01	LOCKWASHER		2
501 53 16-01	CABLE		1
501 54 15-02	DRIVE PIN		2
502 05 42-01	SPRING		2
502 25 90-01	FLYWHEEL ASSY		1
503 20 25-20	SCREW IHSCM		2
503 22 21-02	LOCK NUT		1
503 23 00-05	WASHER		2
505 27 75-16	ISOLERHATT		1
537 15 00-01	ELECTRONIC MODULE		1
735 11 64-50	SPRING WASHER		1

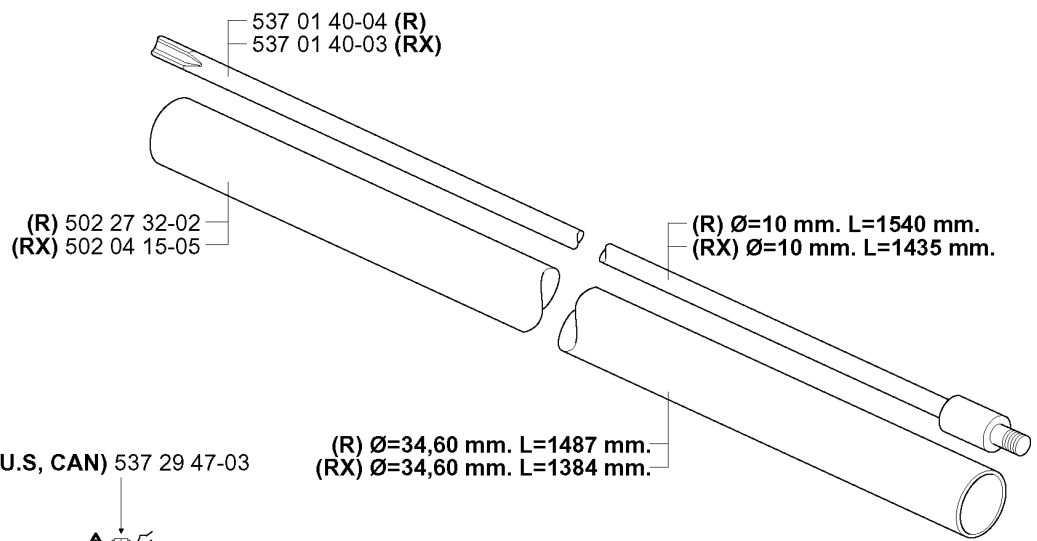


## MUFFLER

250 R from 2014-12

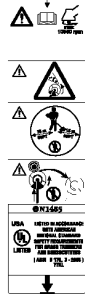
Part No	Description	Remark	QTY KIT
502 03 47-01	FLANGE WASHER		1
502 03 47-01	FLANGE WASHER		1
502 15 57-02	SPARK ARRESTER		1
502 15 58-01	HOLDER		1
503 20 02-16	SCREW IHSCFM		2
503 20 29-85	SCREW IHSCFM		2
537 04 36-01	BAFFLE PLATE		1
537 15 06-01	MUFFLER ASSY		1
537 15 07-01	MUFFLER ASSY	EPA	1
724 12 87-59	SCREW CRPANM		1

**B**



537 29 47-06

(U.S, CAN) 537 29 47-03



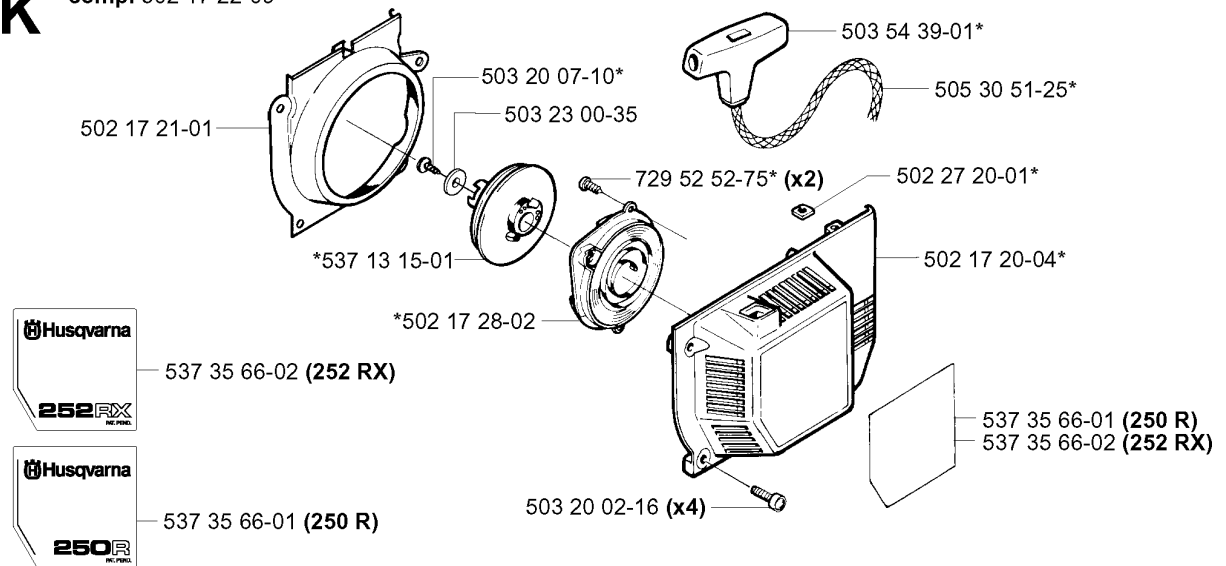


SHAFT

250 R from 2014-12

Part No	Description	Remark	QTY KIT
502 04 15-05	TUBE DRIVESHAFT ASSY	RX	1
502 27 32-02	TUBE	R	1
537 01 40-03	DRIVE SHAFT ASSY	RX	1
537 01 40-04	DRIVE SHAFT ASSY	R	1
537 29 47-03	LABEL	U.S, CAN	1
537 29 47-06	LABEL		1

**K** \*compl 502 17 22-09

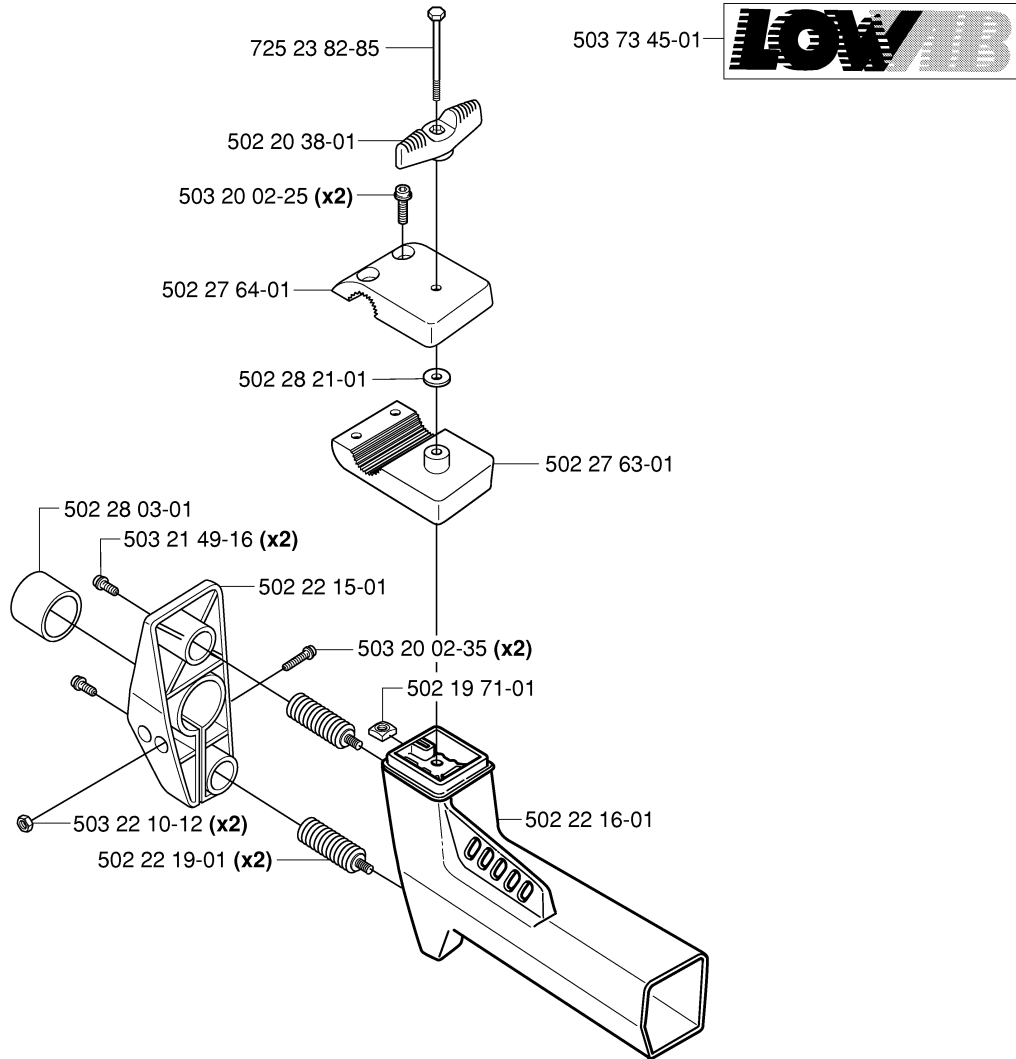


## STARTER

250 R from 2014-12

Part No	Description	Remark	QTY KIT
502 17 20-04	STARTER HOUSING		1
502 17 21-01	LEDSKENA		1
502 17 22-09	STARTER HOUSING		1
502 17 28-02	KASSETT M.FJÄDER		1
502 27 20-01	NUT		1
503 20 02-16	SCREW IHSCFM		4
503 20 07-10	SCREW IHSCFM		1
503 23 00-35	WASHER		1
503 54 39-01	STARTER HANDLE		1
505 30 51-25	STARTER CORD		1
537 13 15-01	STARTER PULLEY		1
537 35 66-01	LABEL	250 R	1
537 35 66-01	LABEL	250 R	1
537 35 66-02	LABEL	252 RX	1
537 35 66-02	LABEL	252 RX	1
729 52 52-75	SCREW CRPANT		2

**E**



## TOWER

250 R from 2014-12

Part No	Description	Remark	QTY KIT
502 19 71-01	SQUARE NUT		1
502 20 38-01	KNOB		1
502 22 15-01	RETAINER		1
502 22 16-01	SUSPENSION		1
502 22 19-01	ANTIVIBRATION ELEMENT		2
502 27 63-01	HANDLEBAR BRACKET		1
502 27 64-01	HANDLEBAR BRACKET		1
502 28 03-01	STAPLE		1
502 28 21-01	WASHER		1
503 20 02-25	SCREW IHSCFM		2
503 20 02-35	SCREW IHSCFM		2
503 21 49-16	SCREW IHSCFT		2
503 22 10-12	HEXAGON NUT		2
503 73 45-01	LABEL		1
725 23 82-85	SCREW EHHM		1