

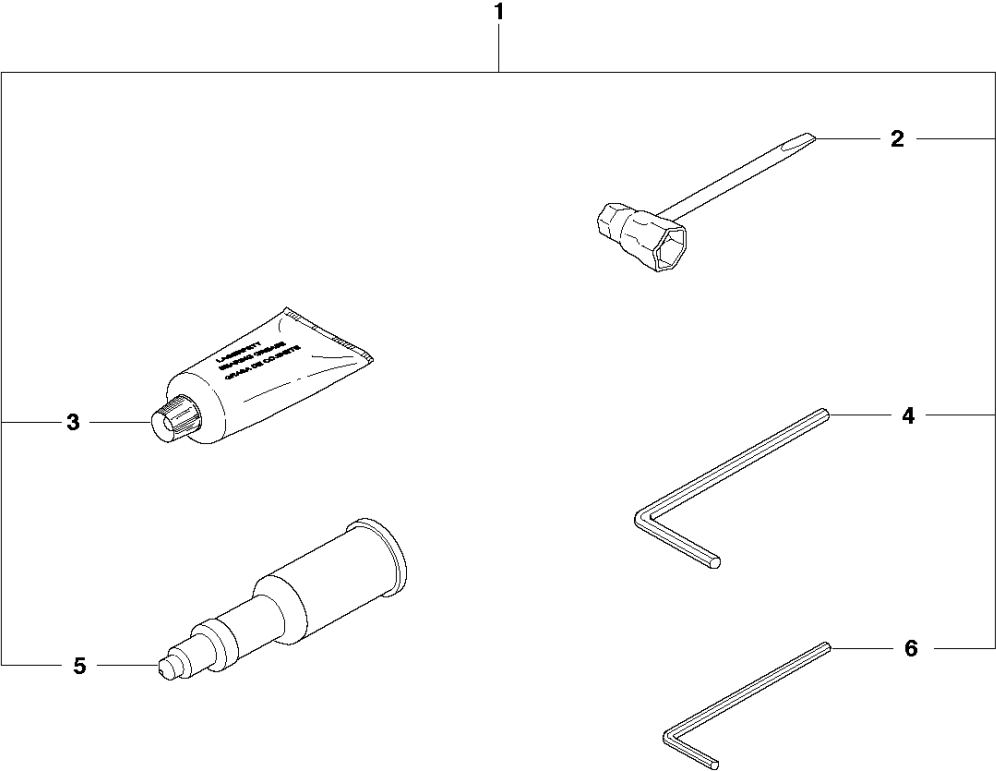


SPARE PARTS LIST

CHAIN SAWS

570, 570 EPA, from 2009-01 -

S 570

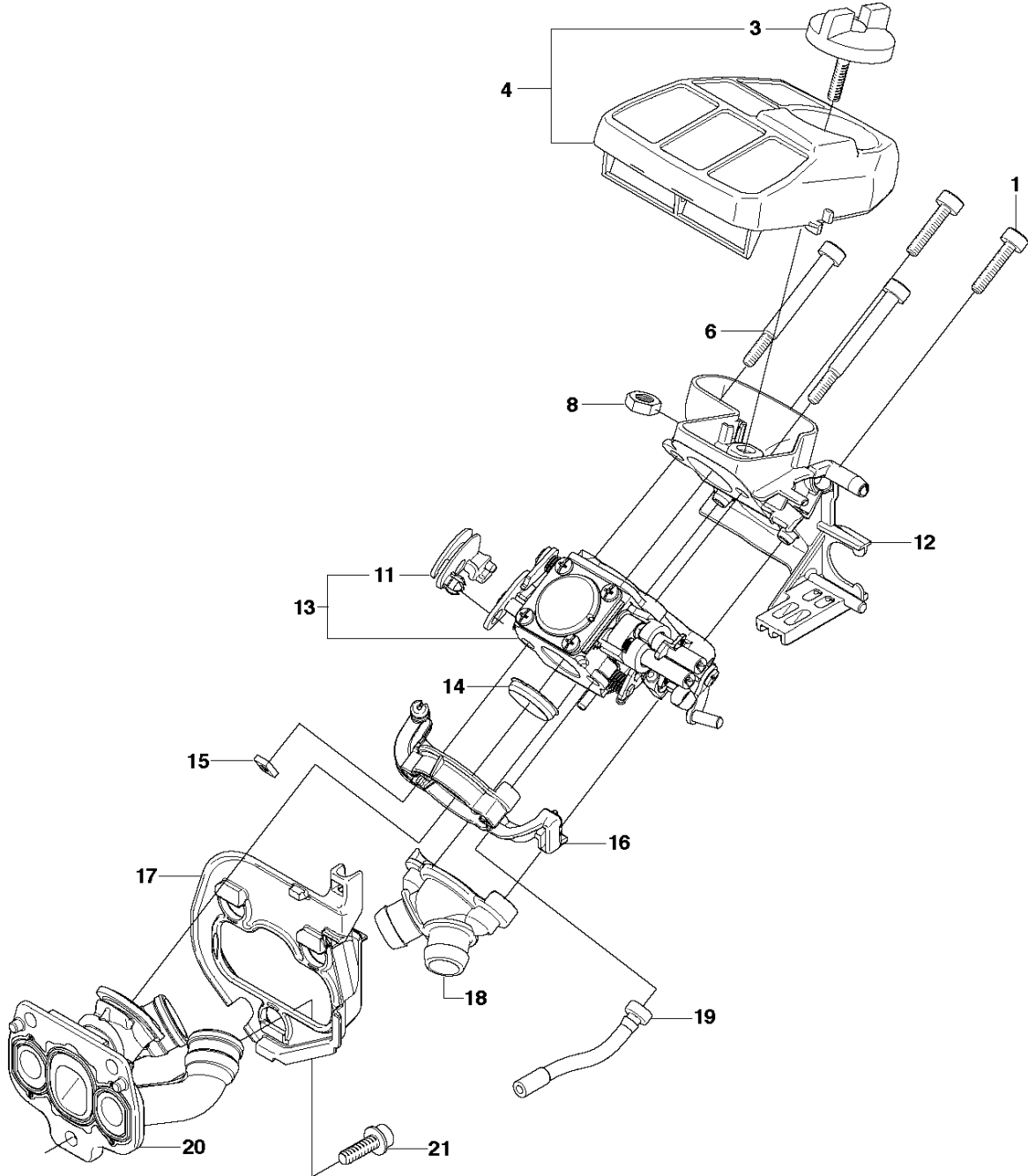


ACCESSORIES

570, 570 EPA, from 2009-01 -

Ref	Part No	Description	Remark	QTY KIT
1	503 55 85-01	TOOL		1
2	501 69 17-01	COMBINATION WRENCH		1
3	503 62 12-01	GREASE		1
4	503 55 86-02	SPANNER		1
5	501 91 14-01	GREASE GUN		1
6	503 55 86-01	SPANNER		1

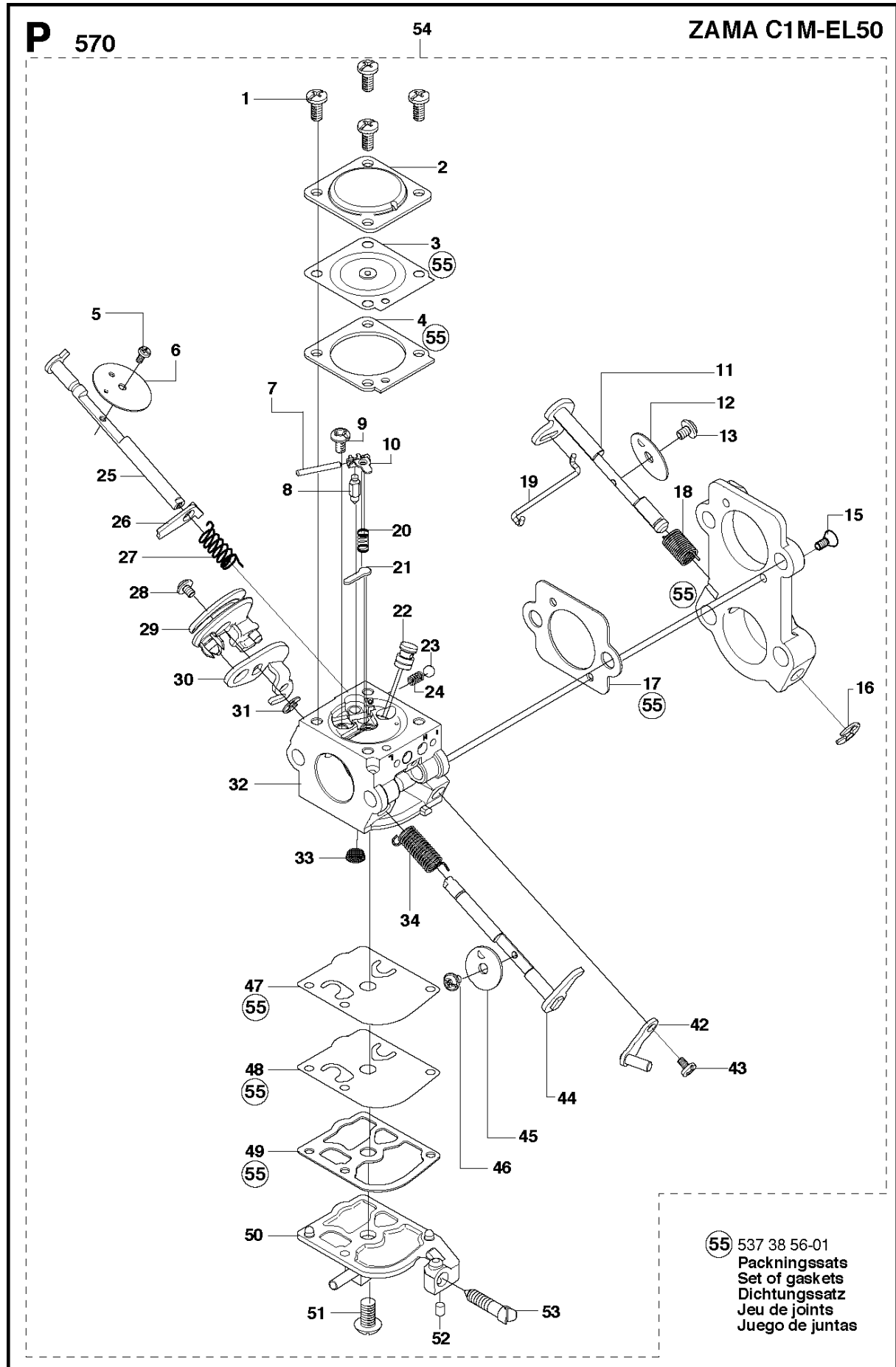
F 570



CARBURETOR & AIR FILTER

570, 570 EPA, from 2009-01 -

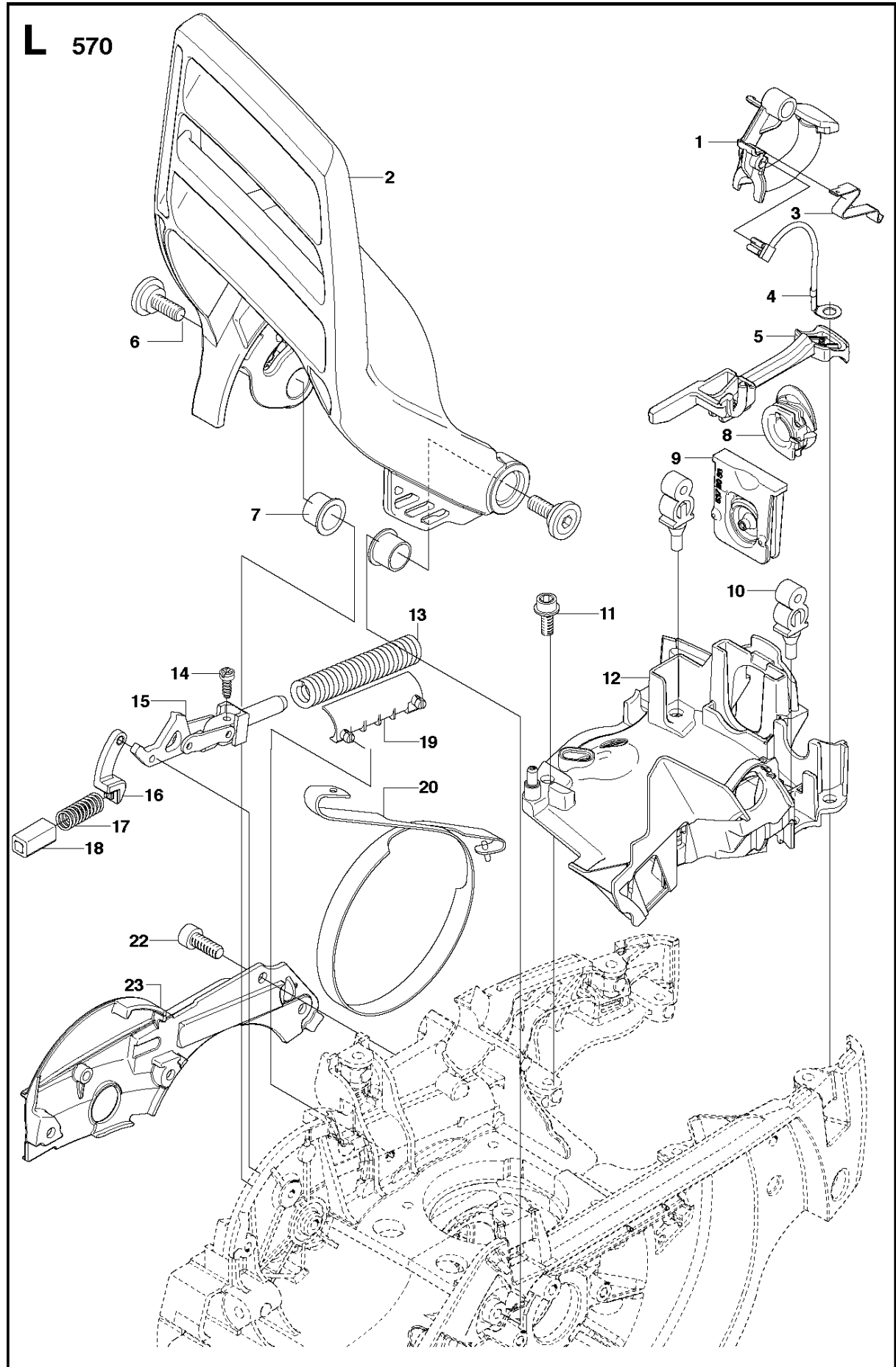
Ref	Part No	Description	Remark	QTY KIT
1	503 20 25-20	SCREW IHSCM		2
3	537 21 32-09	KNOB		1
4	576 48 63-04	AIR FILTER		1
4	576 48 63-05	AIR FILTER		1
4	576 48 63-06	AIR FILTER		1
6	503 20 39-01	SCREW IHSCM		2
8	731 23 14-01	HEXAGON NUT		1
11	537 21 37-01	LEVER		1
12	537 20 50-01	FILTER HOLDER		1
13	579 46 25-01	CARBURETTOR		1
14	537 20 46-01	SUPPORT SLEEVE		1
15	503 22 65-03	SQUARE NUT		2
16	537 20 45-01	FLANGE		2
17	537 20 47-01	INSULATION WALL		1
18	537 20 49-01	FLANGE		1
19	537 20 37-01	IMPULSE HOSE		1
20	537 20 43-01	INLET PIPE		1
20	585 48 43-01	INLET PIPE	Cold resistant Spare part only	1
21	503 20 02-16	SCREW IHSCFM		3



CARBURETOR DETAILS

570, 570 EPA, from 2009-01 -

Ref	Part No	Description	Remark	QTY KIT
1	503 48 05-01	SCREW		4
2	537 38 37-01	COVER		1
3	537 38 35-01	DIAPHRAGM		1
4	537 38 36-01	GASKET		1
5	503 48 18-01	SCREW		1
6	537 26 68-01	VALVE		1
7	503 48 00-01	PIN RETAINING SCREW		1
8	503 47 97-01	VALVE		1
9	503 48 01-01	SCREW		1
10	503 66 59-01	LEVER		1
11	544 23 78-01	SHAFT		1
12	537 17 70-01	VALVE		1
13	503 48 18-01	SCREW		1
15	537 38 51-01	SCREW		2
16	537 38 50-01	CLIP		1
17	537 38 53-01	GASKET		1
18	537 38 55-01	SPRING		1
19	544 23 79-01	ROD		1
20	537 38 34-01	SPRING		1
21	503 53 56-01	PLUG WELCH		1
22	544 23 77-01	NOZZLE ASSY		1
23	537 01 25-01	BALL		1
24	537 01 26-01	SPRING		1
25	537 38 42-01	SHAFT ASSY		1
26	544 23 80-01	LEVER		1
27	537 38 44-01	SPRING		1
28	503 47 90-01	SCREW		1
29	537 21 37-01	LEVER		1
30	537 38 41-01	LEVER		1
31	504 02 67-01	CIRCLIP		1
32	579 46 25-01	CARBURETTOR		1
33	503 53 57-01	STRAINER		1
34	537 38 29-01	SPRING		1
37	503 97 40-01	WASHER		2
38	537 38 75-01	SCREW		1
39	537 41 70-01	LIMITER CAP		1
40	537 38 46-01	LIMITER CAP		1
41	579 72 20-01	SCREW		1
42	537 38 45-01	LEVER		1
43	503 47 90-01	SCREW		1
44	577 37 05-01	THROTTLE SHAFT ASSY		1
45	537 38 30-01	VALVE		1
46	503 48 18-01	SCREW		1
47	537 38 31-01	DIAPHRAGM PUMP		1
48	537 40 33-01	DIAPHRAGM		1
49	537 02 01-01	GASKET PUMP		1
50	502 07 89-01	COVER		1
51	503 47 96-01	SCREW		1
52	503 48 11-01	PIECE		1
53	537 38 33-01	SCREW		1
54	579 46 25-01	CARBURETTOR		1
55	537 38 56-01	GASKET KIT		1

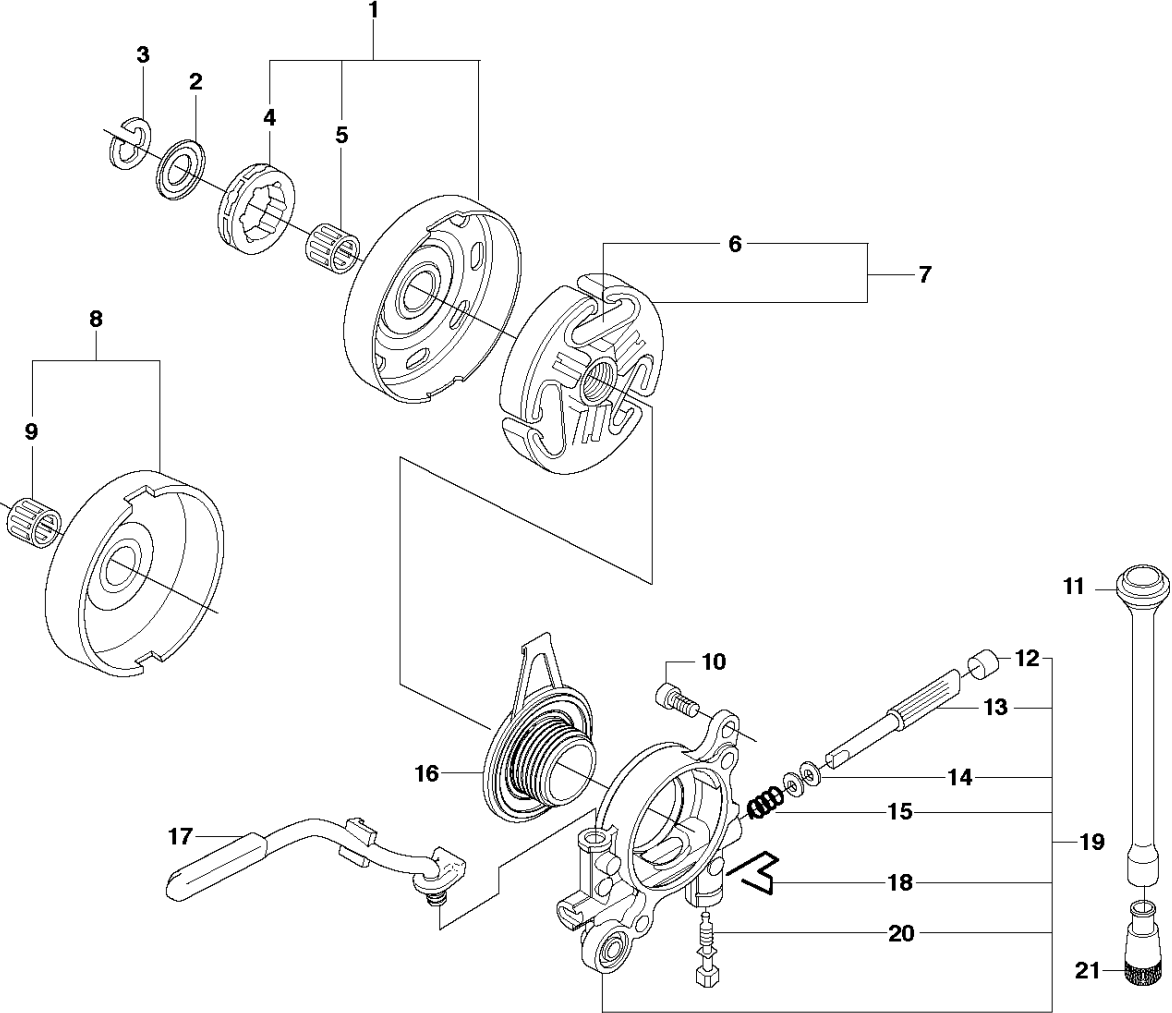


CHAIN BRAKE

570, 570 EPA, from 2009-01 -

Ref	Part No	Description	Remark	QTY KIT
1	537 20 51-01	STOP CONTROL		1
2	537 20 27-01	HAND GUARD ASSY		1
3	503 86 97-02	SHORT CIRCUIT SPRING		1
4	537 20 87-01	GROUND CABLE		1
5	537 20 52-01	CHOKE CONTROL		1
6	537 20 90-01	SCREW		2
7	537 20 28-01	BUSHING		2
8	537 20 53-01	SEALING		1
9	537 20 38-01	GROMMET		1
10	503 86 93-01	CARBURETTOR MOUNTING		2
11	503 20 02-12	SCREW IHSCFM		4
12	537 20 35-01	CARBURETTOR AREA BAS		1
13	503 70 99-01	BRAKE SPRING		1
14	503 21 28-10	SCREW CCRPANT		1
15	501 87 53-04	KNEE JOINT		1
16	537 20 31-01	LOCK		1
17	503 43 65-01	POSITION SPRING		1
18	537 21 07-01	SPRING GUIDE		1
19	503 79 27-02	SUPPORT		1
20	503 75 22-02	BRAKE BAND ASSY		1
21	579 23 32-01	SLEEVE		1
22	503 21 70-72	SCREW CCRPANT		4
23	537 20 32-01	HUB CAP		1

B 570

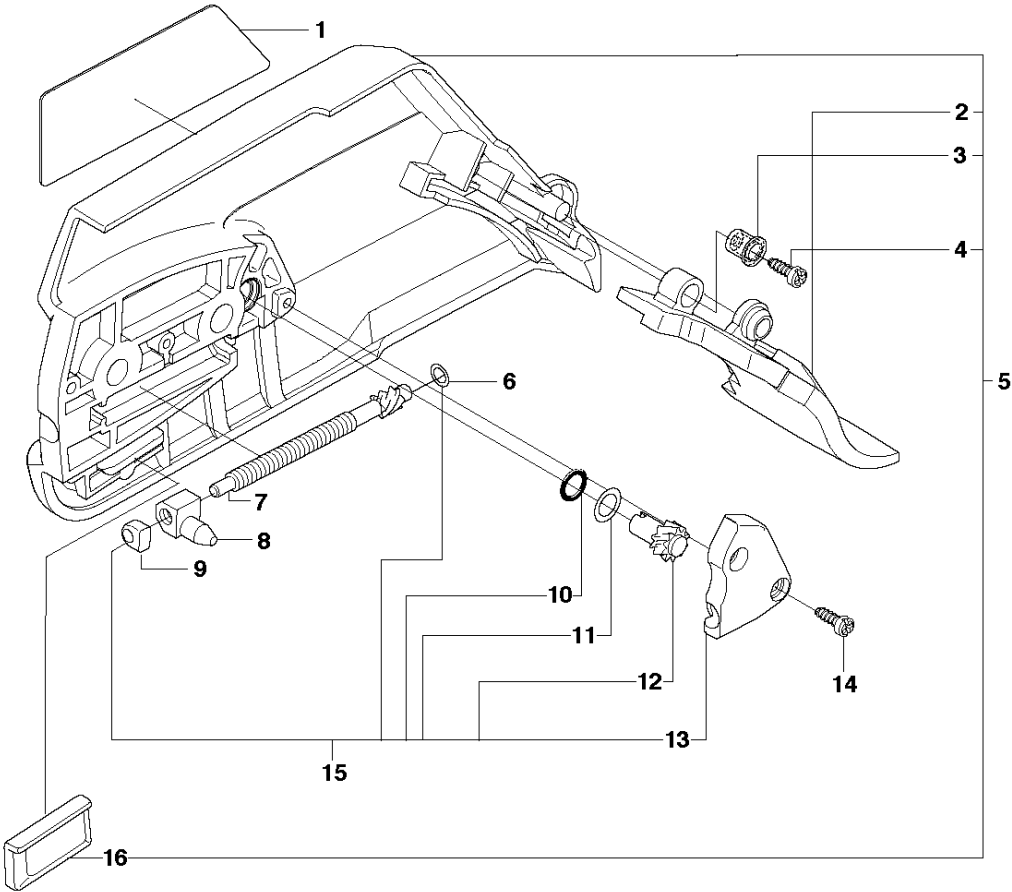


CLUTCH & OIL PUMP

570, 570 EPA, from 2009-01 -

Ref	Part No	Description	Remark	QTY KIT
1	537 03 62-05	CLUTCH DRUM		1
1	537 03 62-06	CLUTCH DRUM		1
2	503 75 24-01	WASHER		1
3	503 27 21-01	E-CLIP		1
4	501 59 80-02	RIM		1
4	505 30 36-61	RIM		1
5	503 43 20-01	NEEDLE HOLDER		1
6	537 36 06-01	CLUTCH SPRING		3
7	503 74 44-05	CLUTCH ASSY		1
8	503 86 17-03	CLUTCH DRUM		1
9	503 43 20-01	NEEDLE HOLDER		1
10	503 20 53-01	SCREW IHSCM		2
11	501 89 53-01	OIL HOSE		1
12	503 62 49-01	SEALING PLUG		1
13	503 52 15-01	PUMP PISTON		1
14	503 23 00-04	WASHER		2
15	501 61 58-01	SPRING		1
16	537 20 78-04	PUMP PINION		1
17	537 20 91-01	OIL PRESSURE HOSE		1
18	503 81 30-01	SPRING		1
19	503 52 13-03	OIL PUMP ASSY		1
20	503 81 13-01	PIN SCREW		1
21	501 54 41-02	OIL SCREEN		1

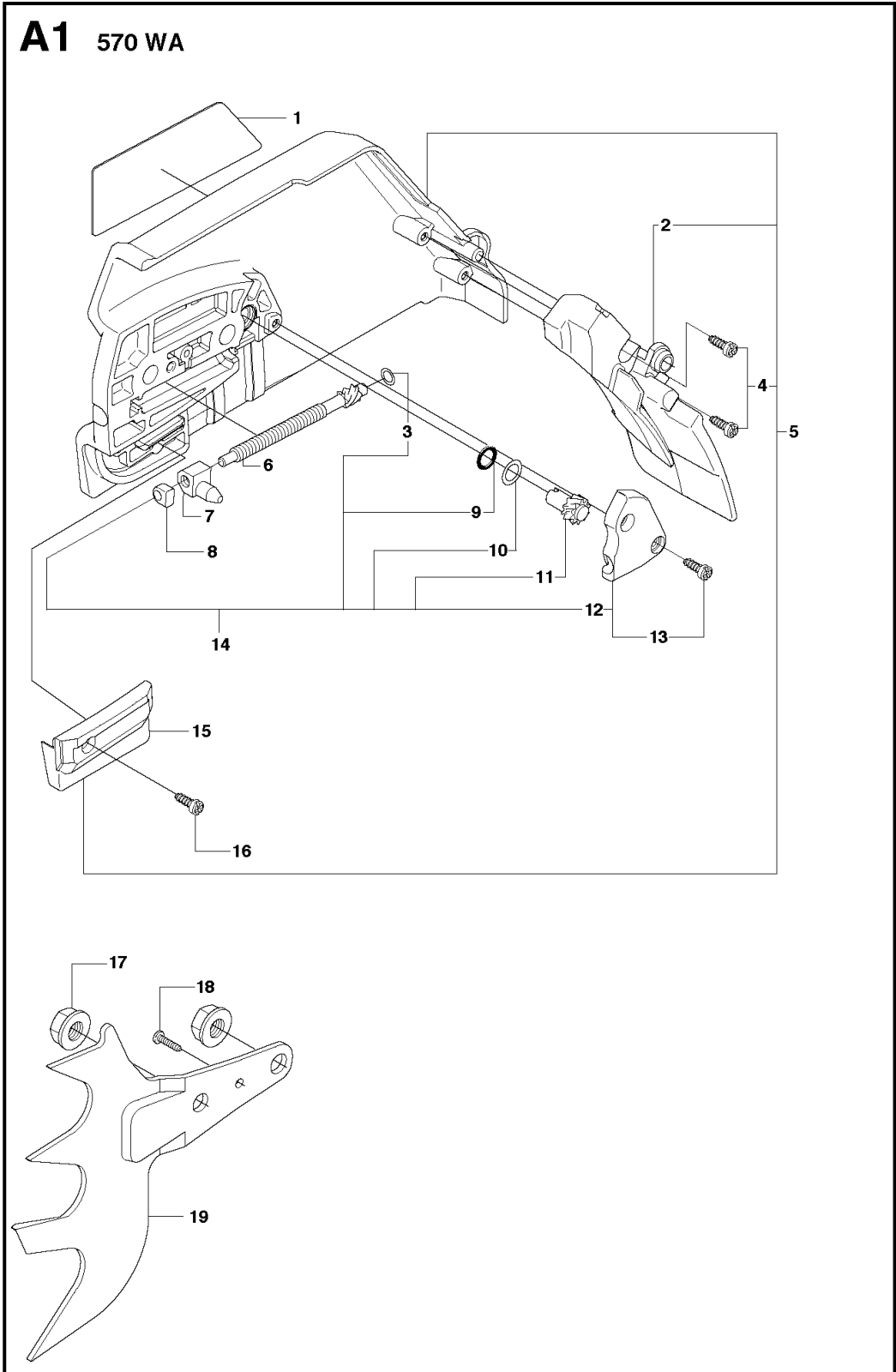
A2 570



CLUTCH COVER

570, 570 EPA, from 2009-01 -

Ref	Part No	Description	Remark	QTY KIT
1	537 03 38-03	LABEL		1
2	503 76 29-02	CHIP GUARD		1
3	503 89 70-01	SLEEVE		1
4	503 21 28-10	SCREW CCRPANT		1
5	537 03 35-01	CLUTCH COVER ASSY		1
6	503 23 00-66	WASHER		1
7	537 07 95-02	WORM SCREW		1
8	503 99 83-01	PAWL		1
9	537 01 74-01	BEARING SLEEVE		1
10	740 48 07-02	O-RING		1
11	503 23 00-63	WASHER		1
12	537 07 94-02	WORM WHEEL		1
13	537 01 68-01	COVER		1
14	503 21 28-10	SCREW CCRPANT		2
15	537 04 41-02	CHAIN TENSIONER		1
16	501 51 72-01	CHAIN GUIDE		1

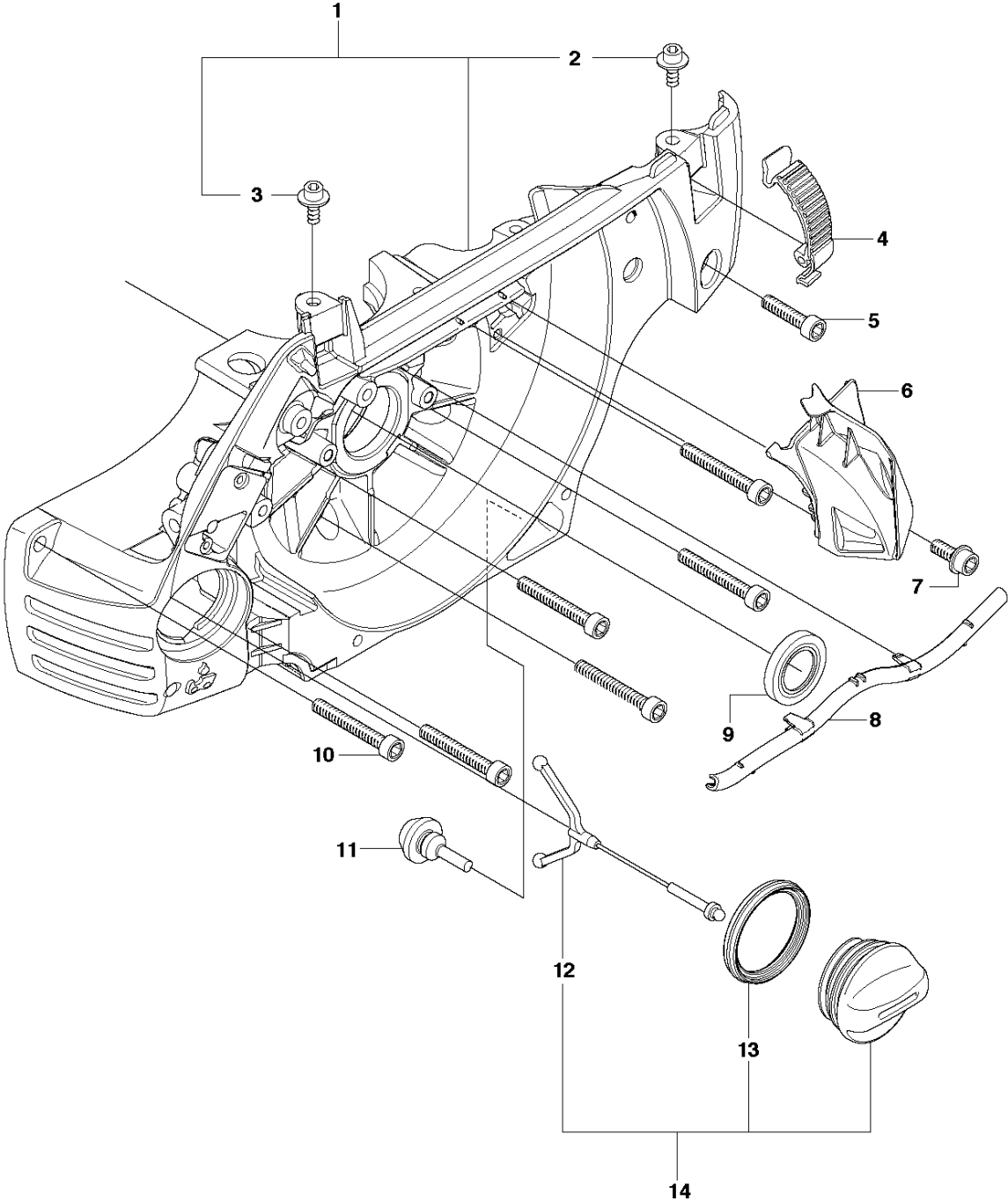


CLUTCH COVER

570, 570 EPA, from 2009-01 -

Ref	Part No	Description	Remark	QTY KIT
1	537 03 38-03	LABEL		1
2	537 17 41-01	CHIP GUARD		1
3	503 23 00-66	WASHER		1
4	503 21 28-10	SCREW CCRPANT		1
5	537 33 10-05	CLUTCH COVER ASSY		1
6	537 07 95-02	WORM SCREW		1
7	503 99 83-01	PAWL		1
8	537 01 74-01	BEARING SLEEVE		1
9	740 48 07-02	O-RING		1
10	503 23 00-63	WASHER		1
11	537 07 94-02	WORM WHEEL		1
12	537 01 68-01	COVER		1
13	503 21 28-10	SCREW CCRPANT		2
14	537 04 41-02	CHAIN TENSIONER		1
15	537 04 34-01	CHAIN GUIDE		1
16	503 21 28-10	SCREW CCRPANT		1
17	503 22 00-01	HEXAGON NUT FLANGE		2
18	503 21 28-10	SCREW CCRPANT		1
19	503 92 27-01	BARKSTØD		1

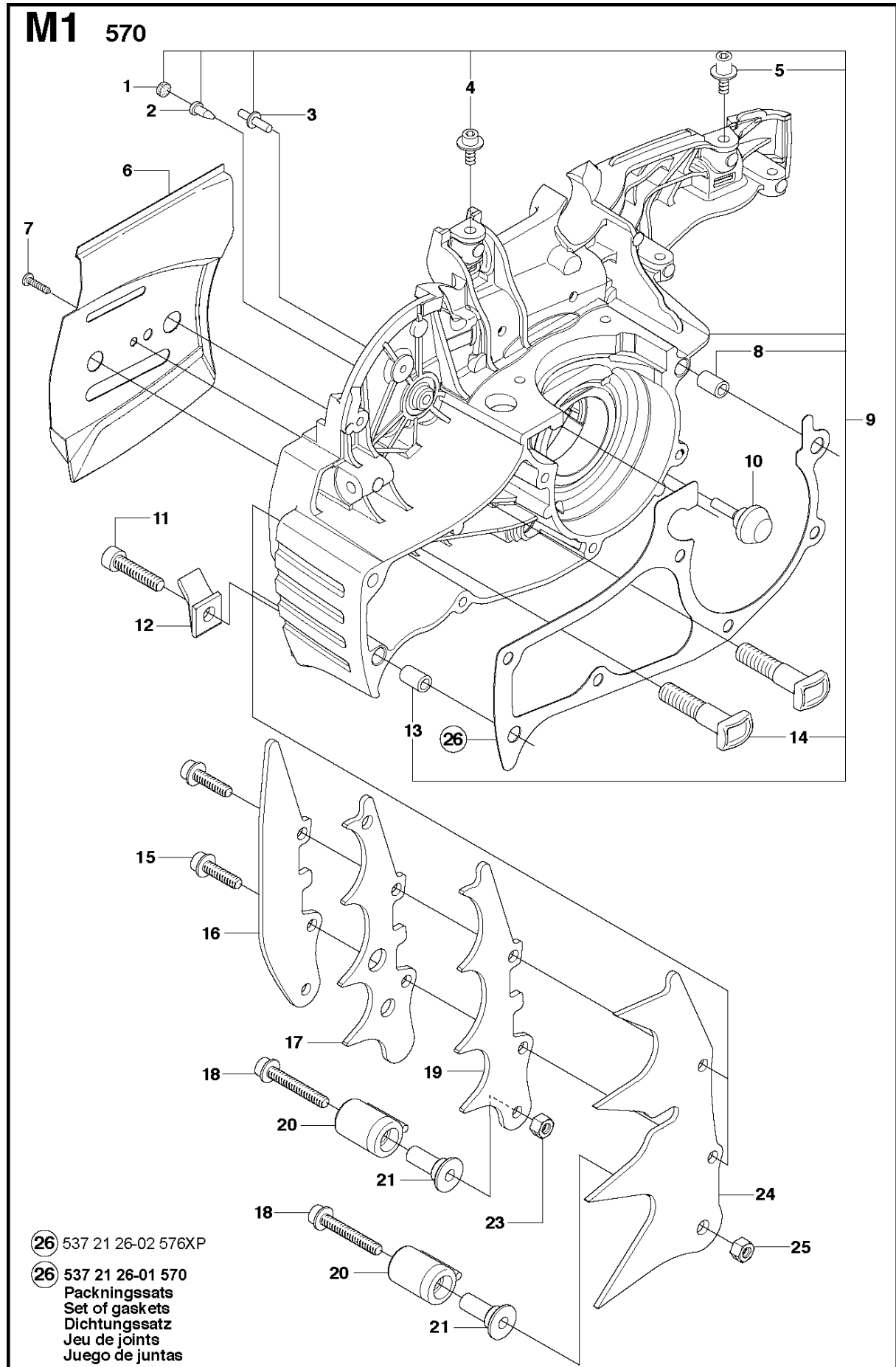
M2 570



CRANKCASE

570, 570 EPA, from 2009-01 -

Ref	Part No	Description	Remark	QTY KIT
1	537 20 93-08	CRANKCASE ASSY		1
2	505 11 15-01	SCREW IHSCM		1
3	505 11 15-01	SCREW IHSCM		1
4	503 89 47-01	SNAP		4
5	503 20 73-20	SCREW IHSCM		1
7	503 20 02-12	SCREW IHSCFM		1
6	537 20 92-01	AIR NOZZLE		1
8	537 20 39-01	CABLE HOLDER		1
9	505 27 57-19	SEALING RING		1
9	505 48 68-01	RADIAL SEAL		1
10	503 20 08-70	SCREW IHSCM		6
11	503 84 61-01	BUFFER		1
12	503 57 89-01	HOLDER		1
13	537 21 50-01	SEALING		1
14	537 21 52-02	TANK CAP ASSY		1

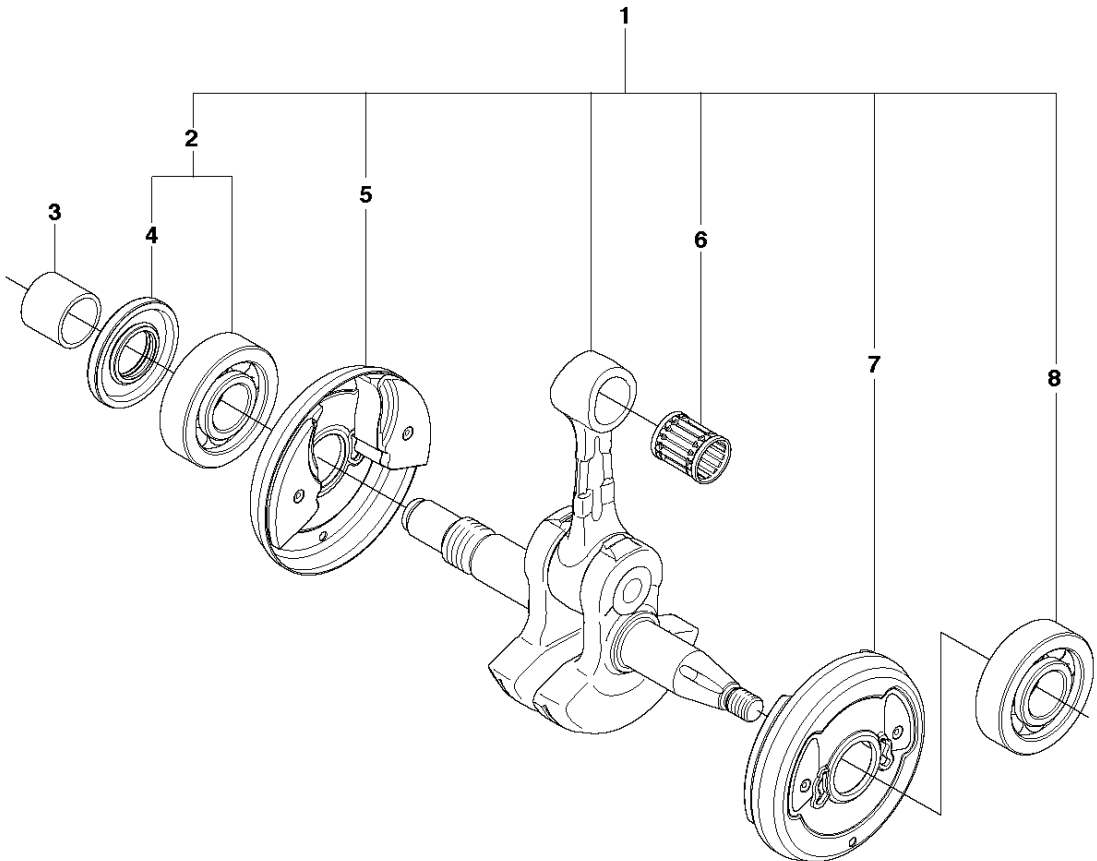


CRANKCASE

570, 570 EPA, from 2009-01 -

Ref	Part No	Description	Remark	QTY	KIT
1	537 40 35-01	FILTER		1	9
2	530 02 61-19	CHECK VALVE		1	9
3	537 20 30-01	PIN KNEE-JOINT		1	9
4	505 11 15-01	SCREW IHSCM		1	9
5	505 11 15-01	SCREW IHSCM		1	9
6	537 01 37-02	CHAIN GUIDE PLATE		1	
7	503 21 28-10	SCREW CCRPANT		1	
8	501 27 08-01	GUIDE BUSHING		1	9
9	537 20 93-08	CRANKCASE ASSY	570	1	
10	503 84 61-01	BUFFER		1	
11	503 20 73-20	SCREW IHSCM		1	
12	537 37 79-01	CHAIN CATCHER		1	
13	501 27 08-01	GUIDE BUSHING		1	9
14	537 05 13-01	BAR BOLT		2	9
15	503 21 26-16	SCREW IHANM		2	
16	537 04 29-01	BUMPER		1	
17	503 64 79-02	BARKSTØD		1	
18	503 20 07-80	SCREW IHSCFM		1	
19	537 01 71-01	BARKSTØD		1	
20	537 02 44-01	WEAR PROTECTION		1	
21	537 08 92-01	CHAIN CATCHER		1	
23	503 22 24-01	LOCKING NUT		1	
24	537 01 72-01	BARKSTØD		1	
25	503 22 24-01	LOCKING NUT		1	
26	537 21 26-01	GASKET KIT	570	1	

N 570

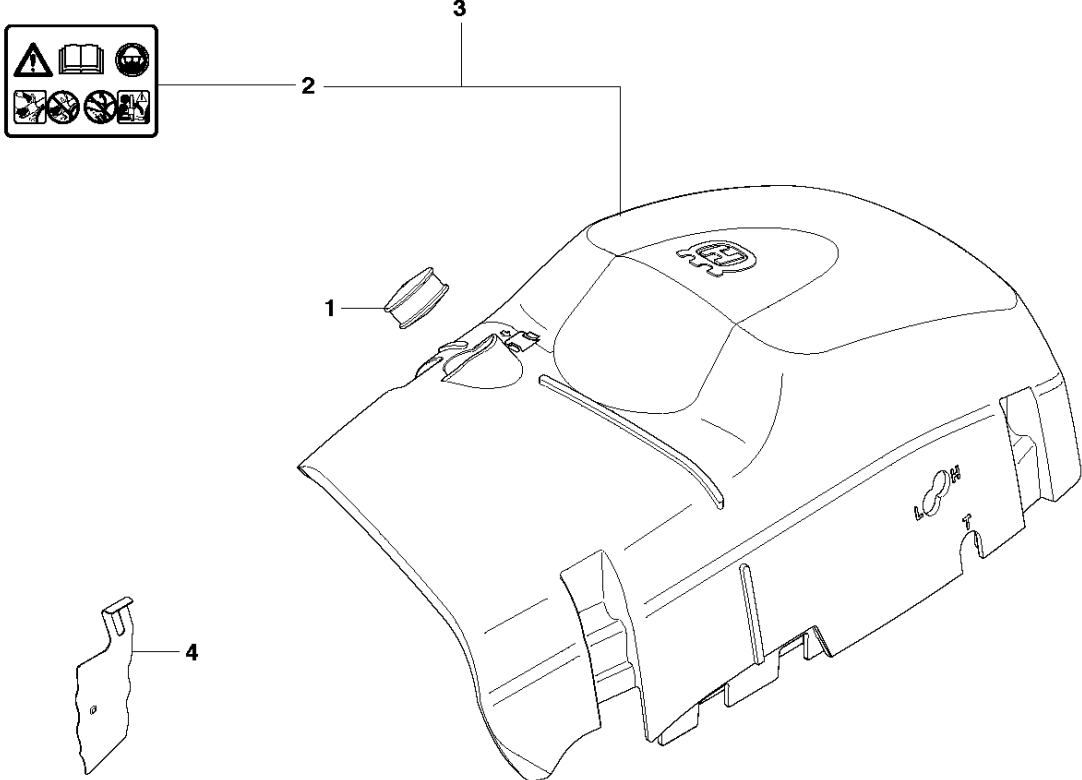


CRANKSHAFT

570, 570 EPA, from 2009-01 -

Ref	Part No	Description	Remark	QTY KIT
1	505 12 19-02	CRANKSHAFT ASSY		
2	525 43 42-01	BALL BEARING		1
3	537 20 58-01	SLEEVE		1
4	505 41 61-01	RADIAL SEAL		1
5	537 20 33-01	CUP		1
6	503 25 56-01	NEEDLE BEARING		1
7	537 20 33-01	CUP		1
8	525 43 43-01	BALL BEARING		1

E1 570

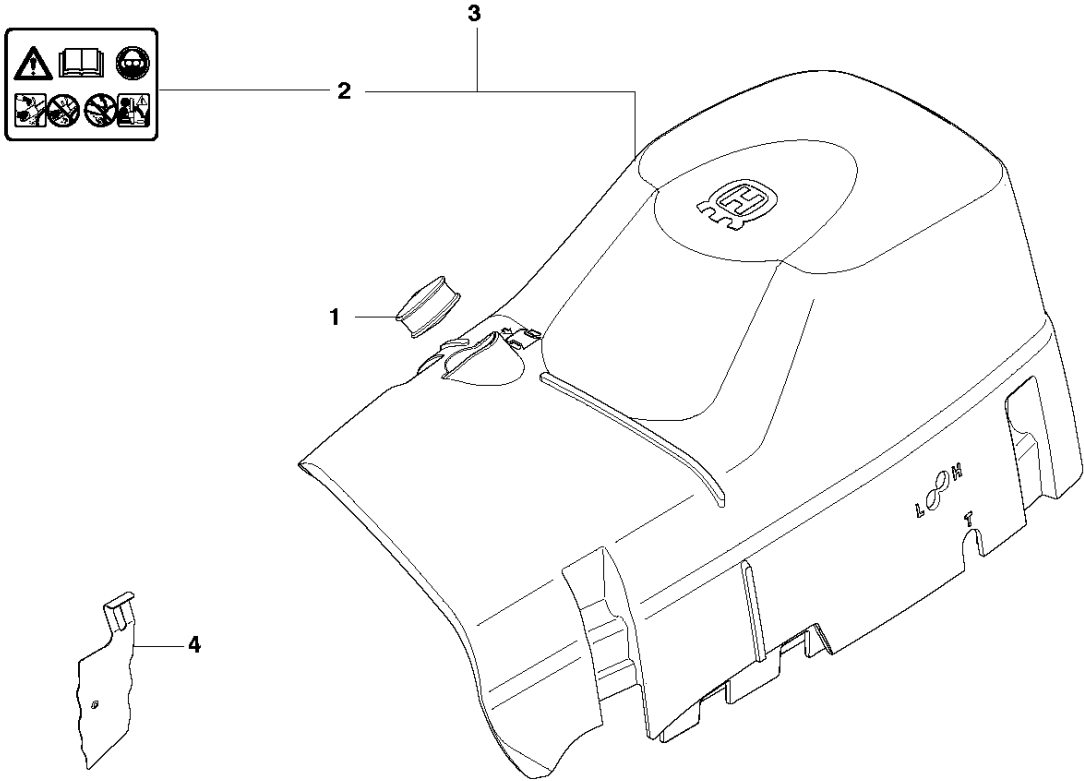


CYLINDER COVER

570, 570 EPA, from 2009-01 -

Ref	Part No	Description	Remark	QTY KIT
1	537 20 71-01	PLUG		1
2	503 98 74-01	LABEL		1
3	537 21 25-01	CYLINDER COVER		1
4	537 21 05-01	WINTER COVER		1

E2 570

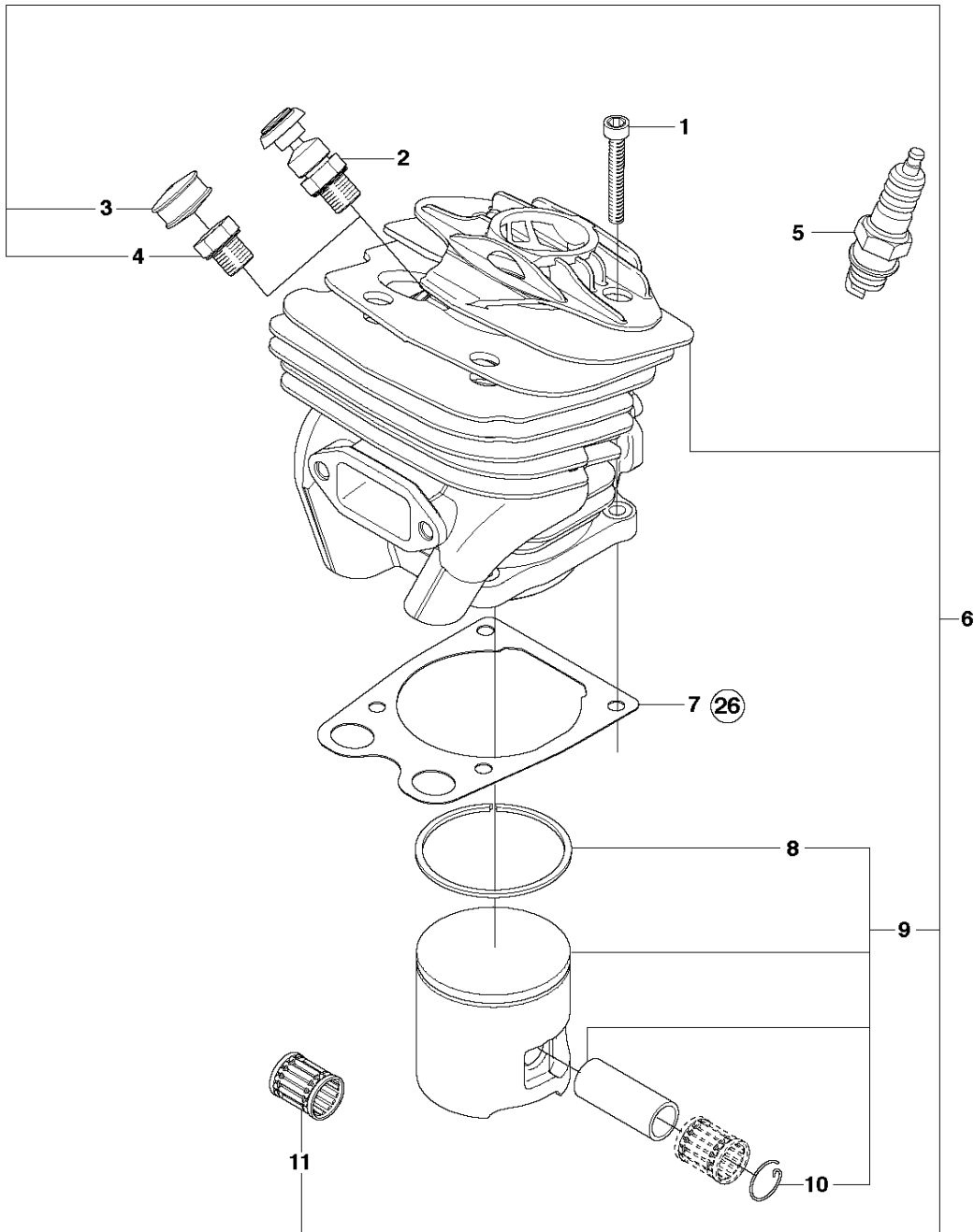


CYLINDER COVER

570, 570 EPA, from 2009-01 -

Ref	Part No	Description	Remark	QTY KIT
1	537 20 71-01	PLUG		1
2	503 98 74-01	LABEL		1
3	537 21 25-02	CYLINDER COVER		1
4	537 21 05-01	WINTER COVER		1

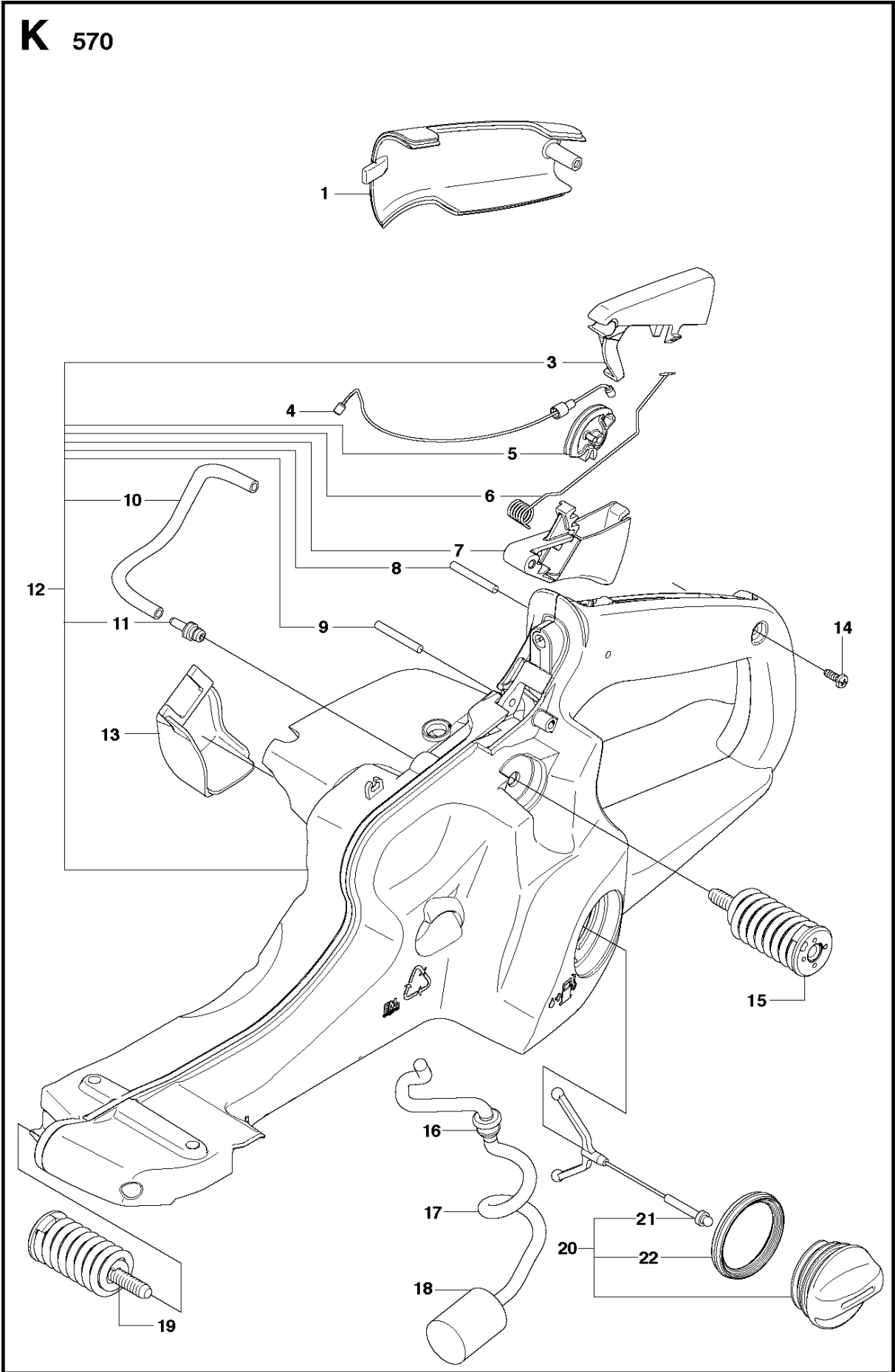
H 570



CYLINDER PISTON

570, 570 EPA, from 2009-01 -

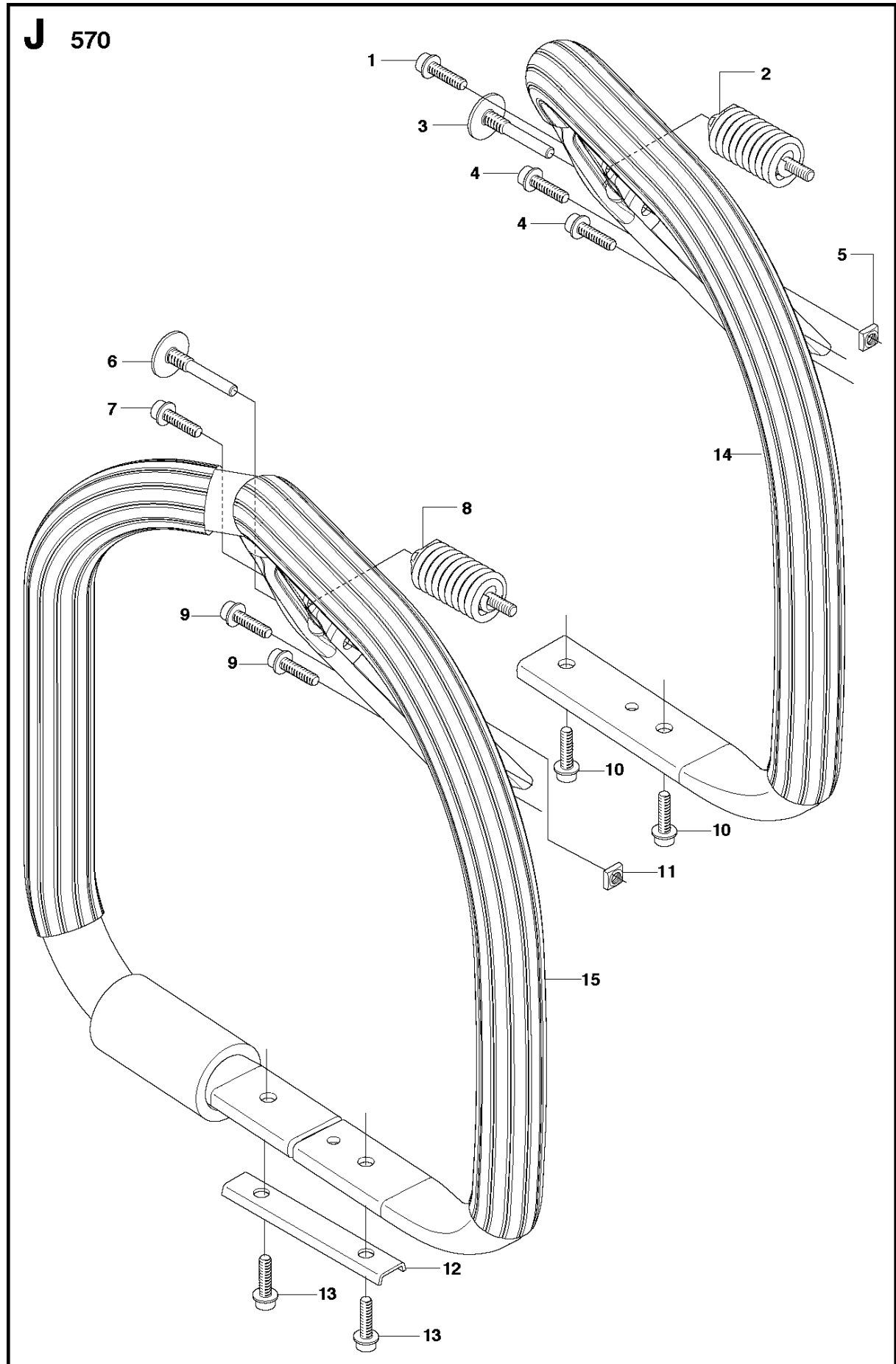
Ref	Part No	Description	Remark	QTY KIT
1	725 53 33-55	SCREW IHSCM		4
2	584 28 87-01	DECOMPRESSION VALVE		1
3	537 20 71-01	PLUG		1
4	503 55 22-01	PLUG		1
5	503 23 51-11	SPARK PLUG		1
6	525 83 94-02	CYLINDER ASSY		1
7	537 20 80-01	GASKET		1
8	503 28 90-46	PISTON RING		1
9	537 25 47-02	PISTON		1
10	737 43 12-00	SNAP RING		2
11	577 57 24-01	NEEDLE BEARING		1
26	537 21 26-01	GASKET KIT		



FUEL TANK

570, 570 EPA, from 2009-01 -

Ref	Part No	Description	Remark	QTY KIT
1	537 20 55-01	COVER		1
3	537 20 84-01	THROTTLE LOCKOUT		1
4	537 21 11-01	THROTTLE WIRE		1
5	537 20 85-01	CABLE LEVER		1
6	537 20 98-01	SPRING		1
7	537 20 83-01	THROTTLE TRIGGER		1
8	720 12 40-20	PARALLEL PIN		1
9	720 12 40-20	PARALLEL PIN		1
10	581 75 61-06	FUEL HOSE		1
11	537 35 95-01	TANK VENT ASSY		1
12	537 21 35-04	FUEL TANK		1
13	537 20 57-01	COVER		1
14	503 21 28-10	SCREW CCRPANT		1
15	537 21 03-01	ANTIVIBRATION ELEMENT		1
15	537 21 03-02	ANTIVIBRATION ELEMENT		1
16	503 73 58-01	BUSHING		1
17	581 75 62-02	FUEL HOSE		1
18	503 44 32-01	FILTER		1
19	537 21 03-03	ANTIVIBRATION ELEMENT		1
19	537 21 03-04	ANTIVIBRATION ELEMENT		1
20	537 21 52-02	TANK CAP ASSY		1
21	503 57 89-01	HOLDER		1
22	537 21 50-01	SEALING		1

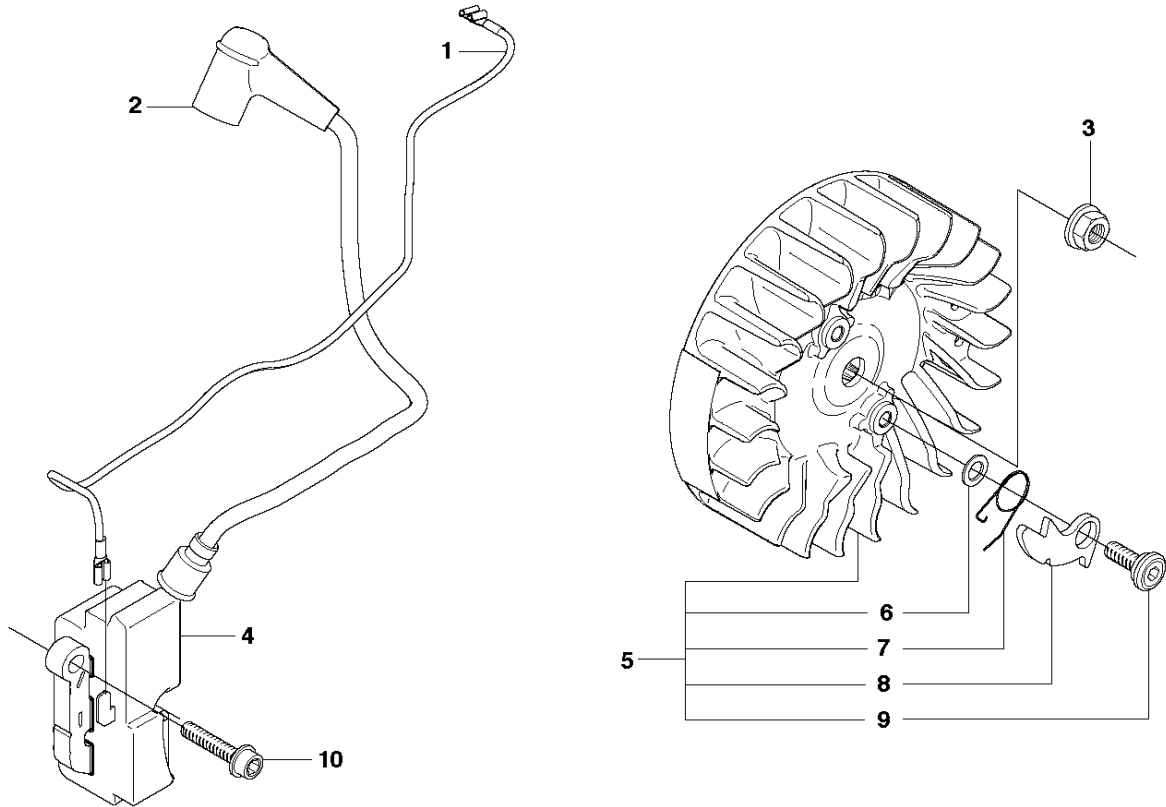


HANDLE

570, 570 EPA, from 2009-01 -

Ref	Part No	Description	Remark	QTY KIT
1	503 21 88-74	SCREW IHSCFT		1
2	503 63 75-02	ANTIVIBRATION ELEMENT		1
3	503 20 47-01	SCREW IHPANM		1
4	503 21 88-74	SCREW IHSCFT		2
5	503 22 66-01	SQUARE NUT		1
6	503 20 47-01	SCREW IHPANM		1
7	503 21 88-74	SCREW IHSCFT		1
8	503 63 75-02	ANTIVIBRATION ELEMENT		1
9	503 21 88-74	SCREW IHSCFT		2
10	503 21 88-74	SCREW IHSCFT		2
11	503 22 66-01	SQUARE NUT		1
12	537 03 73-01	REINFORCING PLATE		1
13	503 21 88-74	SCREW IHSCFT		2
14	537 20 59-03	FRONT HANDLE ASSY		1
15	537 20 89-01	HANDLE WRAP AROUND ASSY		1

D 570

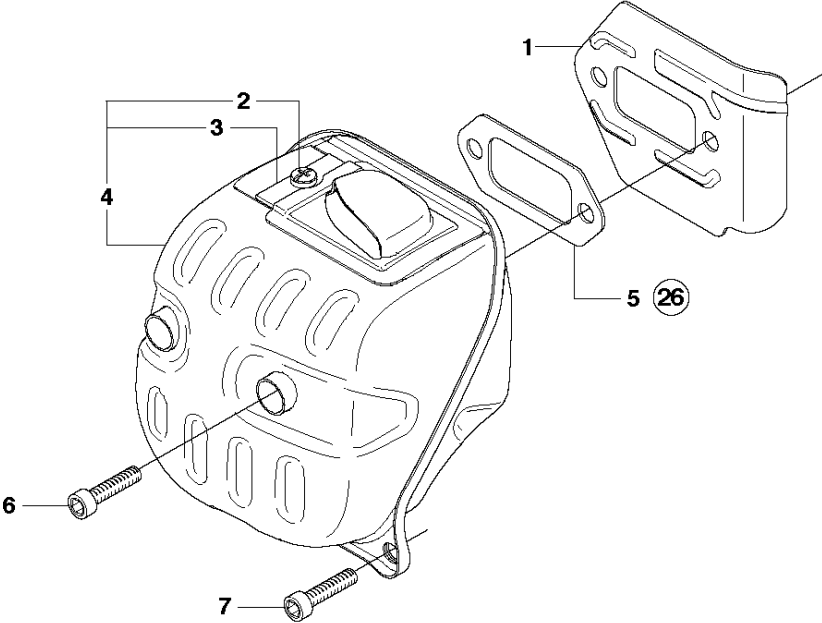


IGNITION SYSTEM

570, 570 EPA, from 2009-01 -

Ref	Part No	Description	Remark	QTY KIT
1	537 20 86-01	SHORT CIRCUIT CABLE		1
2	501 48 54-02	SPARK PLUG CAP		1
3	503 22 04-01	NUT		1
4	510 11 57-01	IGNITION MODULE		1
5	537 20 96-01	FLYWHEEL ASSY		1
6	503 23 00-42	WASHER		2
7	501 67 35-01	SPRING		2
8	501 67 32-01	PAWL		2
9	501 81 99-01	SCREW		2
10	503 20 02-20	SCREW IHSCFM		2

G 570



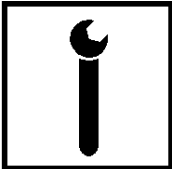
MUFFLER

570, 570 EPA, from 2009-01 -

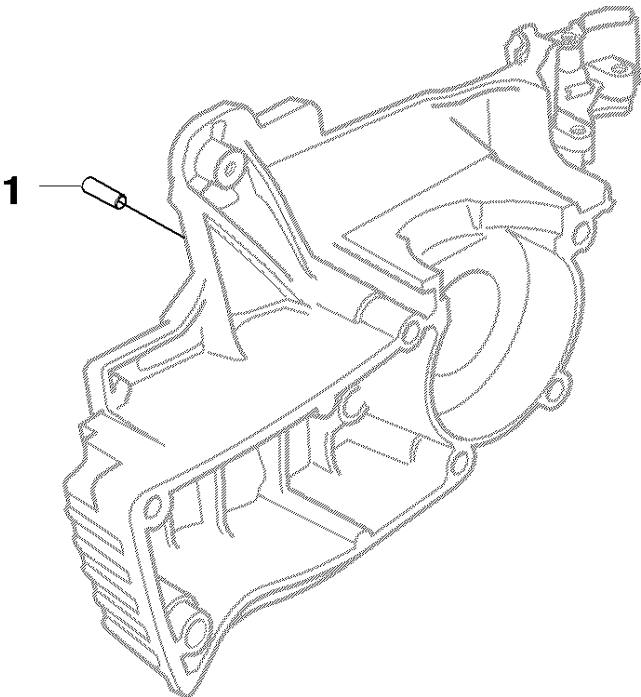
Ref	Part No	Description	Remark	QTY KIT
1	537 21 06-01	HEAT DEFLECTOR		1
2	724 12 87-59	SCREW CRPANM		1
3	503 76 64-02	SPARK ARRESTOR SCREEN		1
4	544 03 02-01	MUFFLER ASSY		1
4	544 03 02-02	MUFFLER ASSY		1
5	537 20 82-01	GASKET		1
6	725 53 70-55	SCREW IHSCM		2
7	503 20 73-20	SCREW IHSCM		2
26	537 21 26-01	GASKET KIT		

U

575XP




Up to 052400001

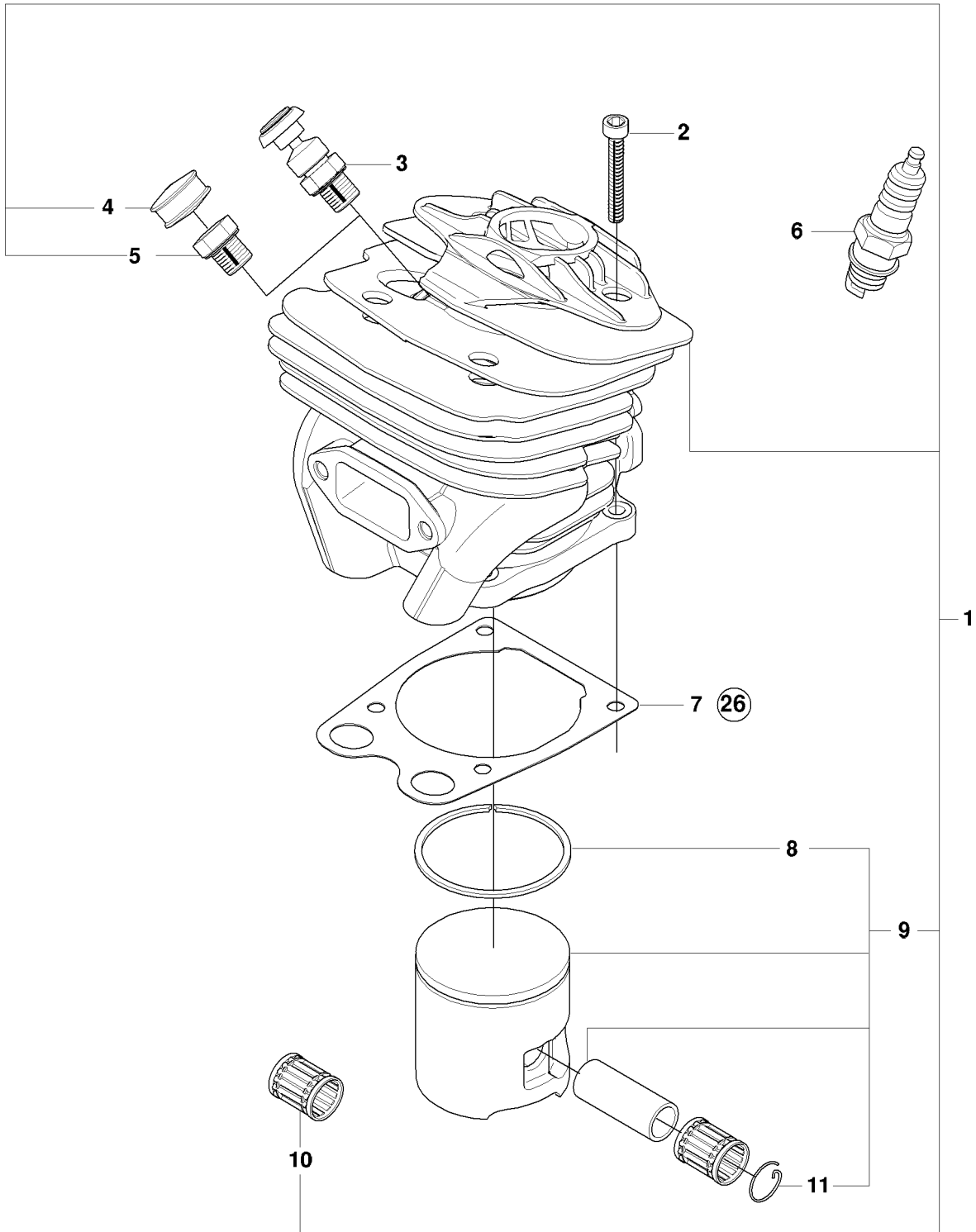


SERVICE UPDATES

570, 570 EPA, from 2009-01 -

Ref	Part No	Description	Remark	QTY KIT
1	537 04 03-01	VALVE		1

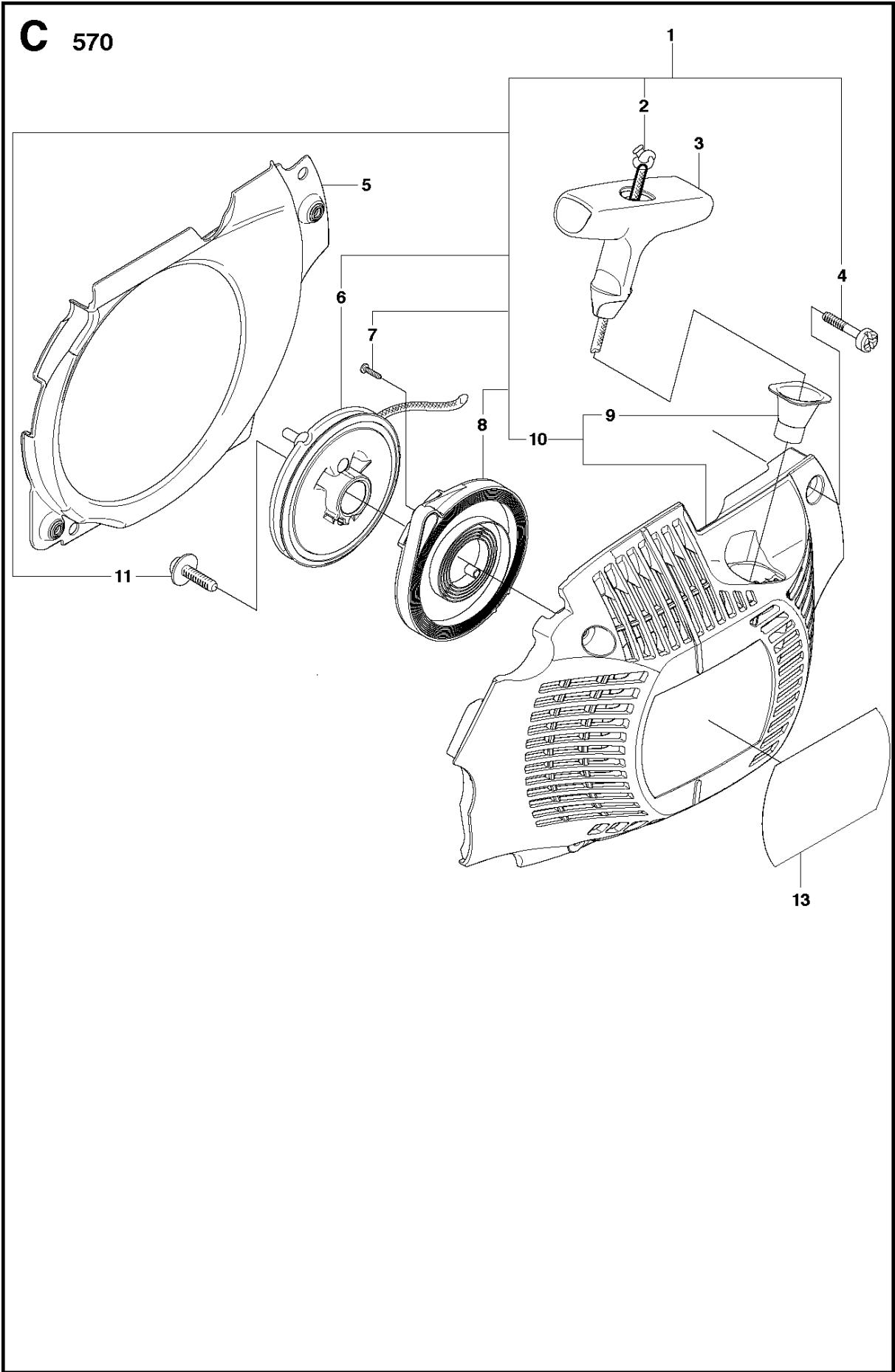
T 575XP  **Up to 081700001**



SERVICE UPDATES

570, 570 EPA, from 2009-01 -

Ref	Part No	Description	Remark	QTY KIT
1	537 25 45-02	CYLINDER		1
2	725 53 33-55	SCREW IHSCM		4
3	537 29 44-01	DECOMPRESSION VALVE		1
4	537 20 71-01	PLUG		1
5	503 55 22-01	PLUG		1
6	503 23 51-11	SPARK PLUG		1
7	537 20 80-01	GASKET		1
8	503 28 90-46	PISTON RING		1
9	537 25 47-02	PISTON		1
10	503 25 56-01	NEEDLE BEARING		1
11	737 43 12-00	SNAP RING		2
26	537 21 26-01	GASKET KIT		

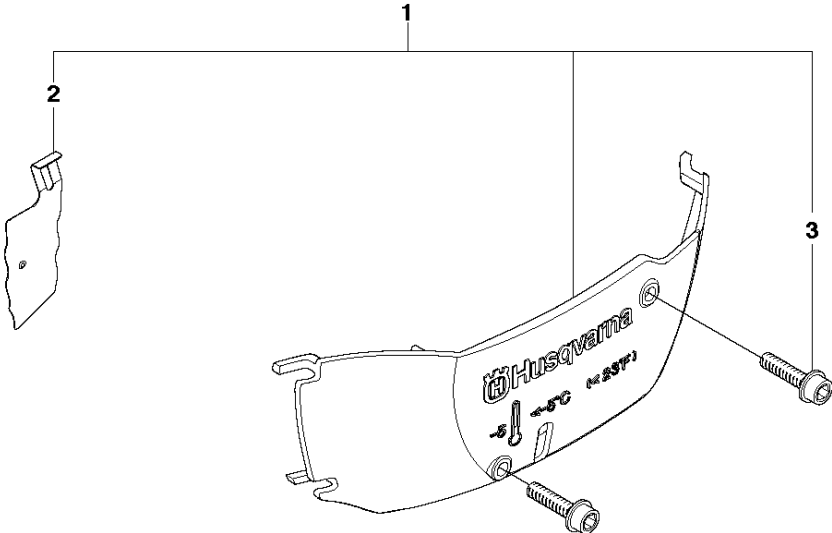


STARTER

570, 570 EPA, from 2009-01 -

Ref	Part No	Description	Remark	QTY KIT
1	504 04 55-02	STARTER ASSY		1
1	537 20 29-02	STARTER		1
2	505 30 51-25	STARTER CORD		1
3	537 23 25-01	STARTER HANDLE		1
4	544 08 03-01	SCREW CIHPANMO		4
5	537 20 26-01	AIR CONDUCTOR		1
6	537 20 24-01	STARTER PULLEY ASSY		1
7	503 21 28-13	SCREW CCRPANT		2
8	505 06 53-01	SPRING CASSETTE ASSY		1
9	537 28 32-01	REINFORCEMENT SLEEVE		1
10	504 04 54-01	STARTER HOUSING		1
10	537 20 23-01	STARTER HOUSING		1
11	503 20 52-16	SCREW IHST		1
13	504 09 41-05	LABEL		1

R 570



WINTER KIT

570, 570 EPA, from 2009-01 -

Ref	Part No	Description	Remark	QTY KIT
1	504 04 57-02	WINTER KIT		1
1	537 21 24-01	WINTER KIT		1
2	537 21 05-01	WINTER COVER		1
3	503 21 70-16	SCREW CCRPANT		2

Illustrated Parts List - IPL Update



Product Name(s)

570, 570 EPA

Description of change

1 Screw IHSCFM 503 20 74-30: Replaced

Comments

Following updated are fully interchangeable

Introduced from

Serial number / Date	Remark
2014-12-18	

IPL updates

Page Title	Ref. no	New part no	Name	Excl. part no.	Remark
Crankcase	18	503 20 07-80	Screw IHSCFM	503 20 74-30	