

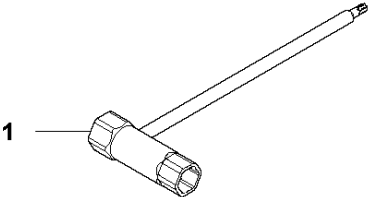


# SPARE PARTS LIST

BLOWERS

578BTF, 2014-09

**R** 578 BTF  
ACCESSORIES

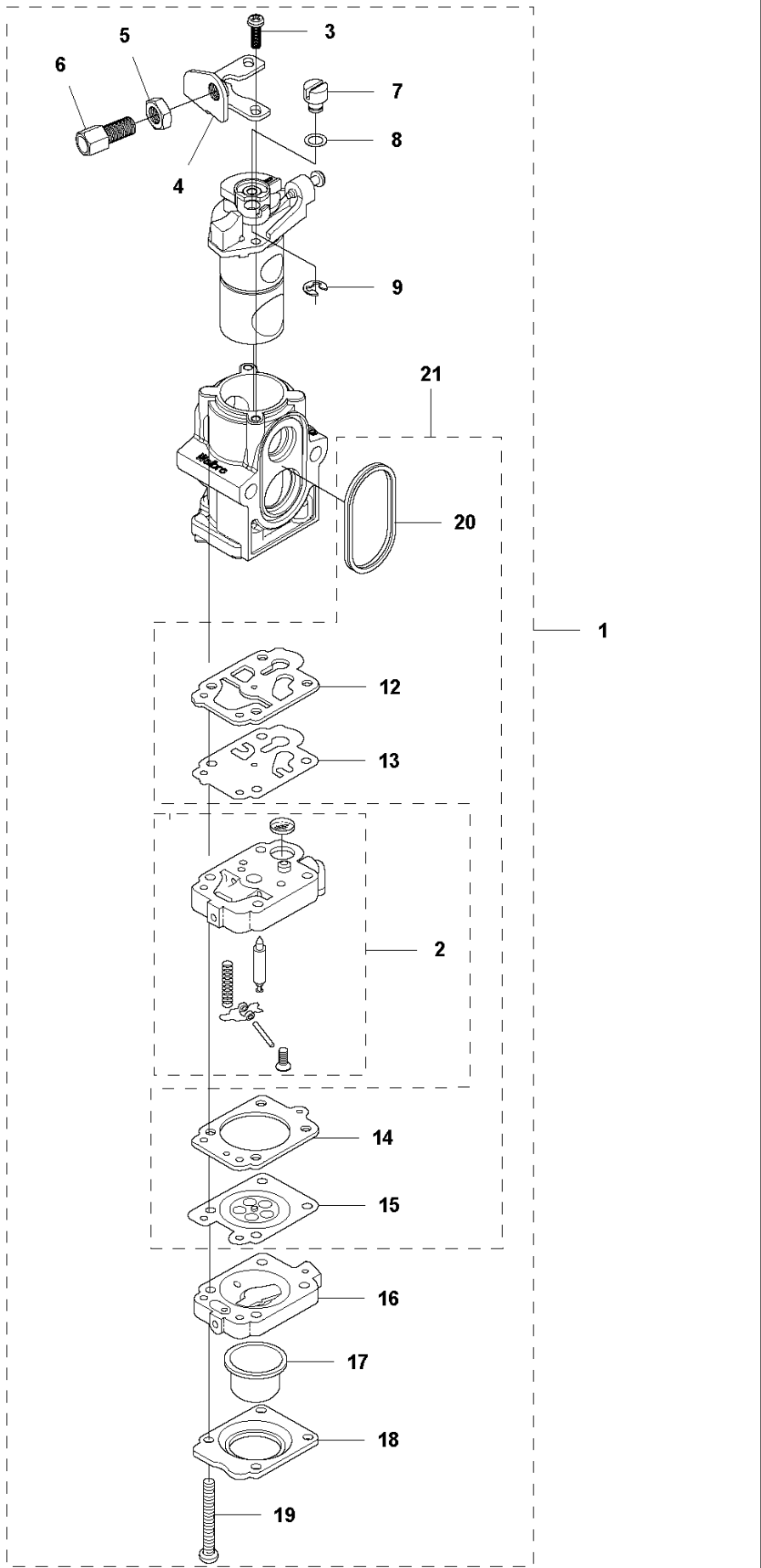


ACCESSORIES

578BTF, 2014-09

| Ref | Part No      | Description | Remark | QTY KIT |
|-----|--------------|-------------|--------|---------|
| 1   | 521 53 30-01 | SOCKET      |        | 1       |

**Q** 578 BTF  
CARBURETOR

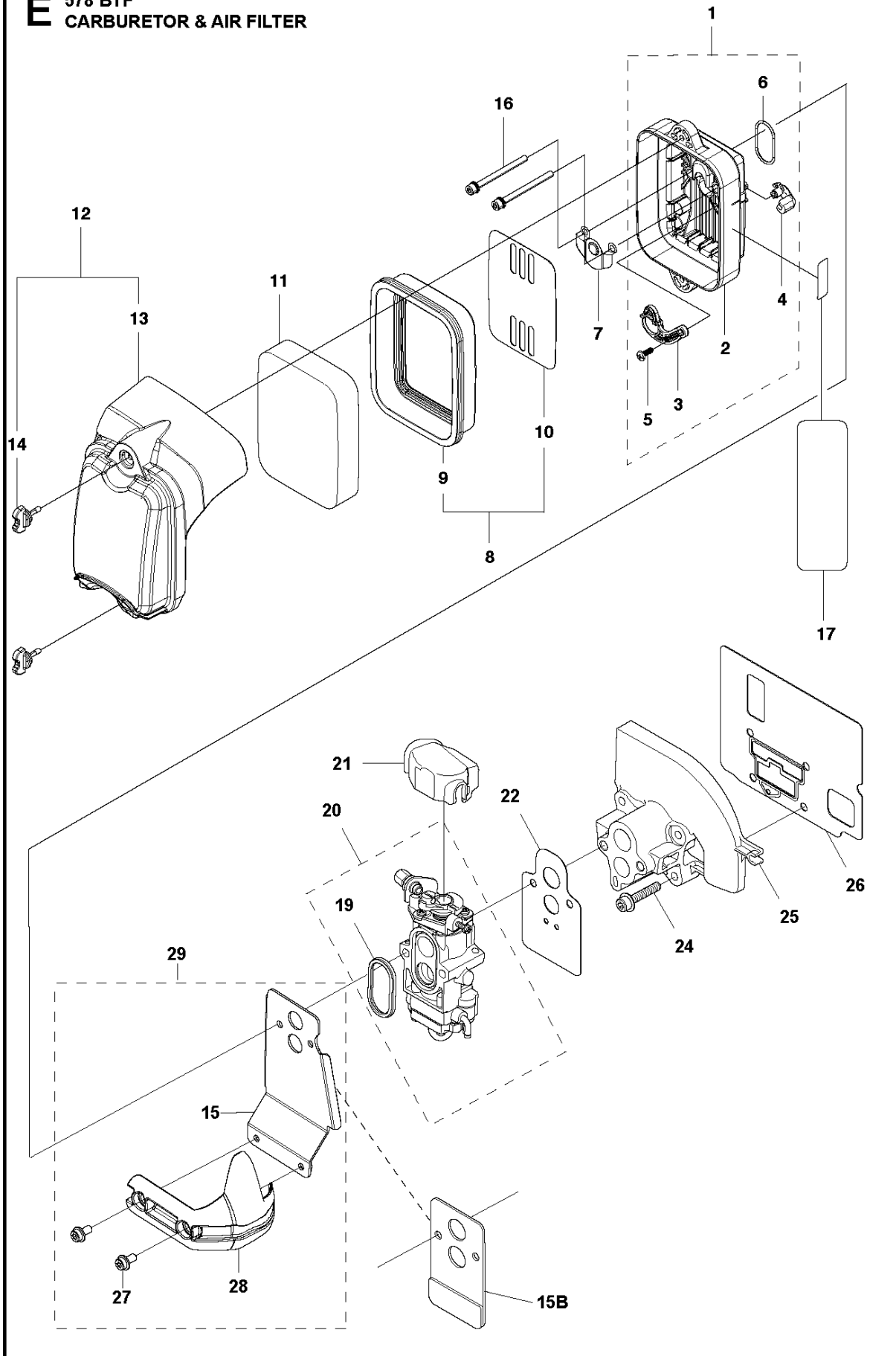


## CARBURETOR

578BTF, 2014-09

| Ref | Part No      | Description      | Remark | QTY | KIT   |
|-----|--------------|------------------|--------|-----|-------|
| 1   | 586 90 10-01 | CARBURETTOR      |        | 1   |       |
| 2   | 544 36 35-01 | BODY CARBURETTOR |        | 1   | 1     |
| 3   | 505 30 79-01 | SCREW            |        | 2   | 1     |
| 4   | 506 74 60-01 | BRACKET          |        | 1   | 1     |
| 5   | 506 61 26-01 | NUT              |        | 1   | 1     |
| 6   | 506 74 13-01 | SCREW            |        | 1   | 1     |
| 7   | 506 74 12-01 | SWIVEL           |        | 1   | 1     |
| 8   | 506 74 61-01 | WASHER           |        | 1   | 1     |
| 9   | 506 73 86-01 | RING             |        | 1   | 1     |
| 12  | 506 74 51-01 | GASKET           |        | 1   | 1, 21 |
| 13  | 506 68 98-01 | DIAPHRAGM        |        | 1   | 1, 21 |
| 14  | 506 74 08-01 | GASKET           |        | 1   | 1, 21 |
| 15  | 505 30 68-01 | DIAPHRAGM        |        | 1   | 1, 21 |
| 16  | 506 74 09-01 | BODY             |        | 1   | 1     |
| 17  | 505 30 67-01 | PUMP             |        | 1   | 1     |
| 18  | 506 74 10-01 | COVER            |        | 1   | 1     |
| 19  | 506 74 11-01 | SCREW            |        | 4   | 1     |
| 20  | 521 63 15-01 | RING             |        | 1   | 1, 21 |
| 21  | 511 45 95-01 | GASKET KIT       |        | 1   |       |

**E** 578 BTF  
CARBURETOR & AIR FILTER

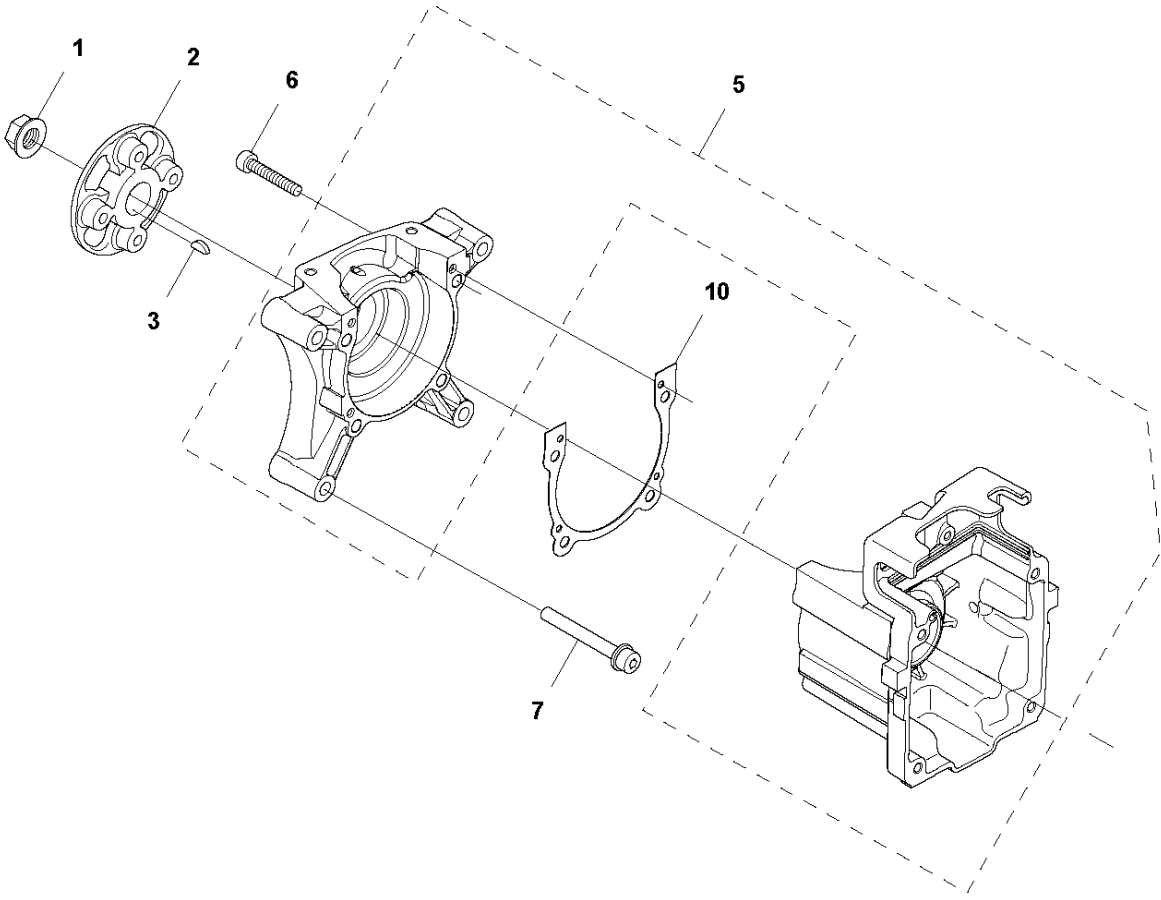


## CARBURETOR &amp; AIR FILTER

578BTF, 2014-09

| Ref | Part No      | Description       | Remark                        | QTY KIT |    |
|-----|--------------|-------------------|-------------------------------|---------|----|
| 1   | 502 84 49-02 | AIR FILTER HOLDER |                               | 1       |    |
| 2   | 577 96 15-01 | AIR FILTER HOLDER |                               | 1       | 1  |
| 3   | 512 25 96-01 | PLATE.CHOKE       |                               | 1       | 1  |
| 4   | 521 74 05-01 | LEVER             |                               | 1       | 1  |
| 5   | 581 73 62-01 | SCREW             |                               | 1       | 1  |
| 6   | 512 26 00-01 | O-RING            |                               | 1       | 1  |
| 7   | 502 84 47-01 | PLATE             |                               | 1       |    |
| 8   | 502 84 45-01 | GASKET            |                               | 1       |    |
| 9   | 512 26 03-01 | PACKING           |                               | 1       | 8  |
| 10  | 512 26 04-01 | SCREEN            |                               | 1       | 8  |
| 11  | 502 84 44-01 | AIR FILTER        |                               | 1       |    |
| 12  | 577 18 14-01 | AIR FILTER COVER  |                               | 1       |    |
| 13  | 577 03 01-01 | AIR FILTER COVER  |                               | 1       | 12 |
| 14  | 502 84 43-01 | KNOB              |                               | 2       | 12 |
| 15  | 592 62 19-01 | PLATE             | From serial<br>No.20174203096 | 1       | 29 |
| 15B | 578 27 40-01 | PLATE             |                               | 1       |    |
| 16  | 502 84 46-01 | SCREW             |                               | 2       |    |
| 17  | 521 74 02-01 | LABEL             |                               | 1       |    |
| 19  | 521 63 15-01 | RING              |                               | 1       | 20 |
| 20  | 586 90 10-01 | CARBURETTOR       |                               | 1       |    |
| 21  | 506 74 42-01 | COVER             |                               | 1       |    |
| 22  | 577 08 96-01 | GASKET            |                               | 1       |    |
| 24  | 576 58 98-01 | BOLT              |                               | 1       |    |
| 25  | 578 10 84-01 | INSULATOR         |                               | 1       |    |
| 26  | 577 69 48-01 | GASKET            |                               | 1       |    |
| 27  | 521 51 59-01 | BOLT              |                               | 2       | 29 |
| 28  | 593 00 14-01 | GUARD             |                               | 1       | 29 |
| 29  | 593 29 95-01 | GUARD             |                               | 1       |    |

**K** 578 BTF  
CRANK CASE



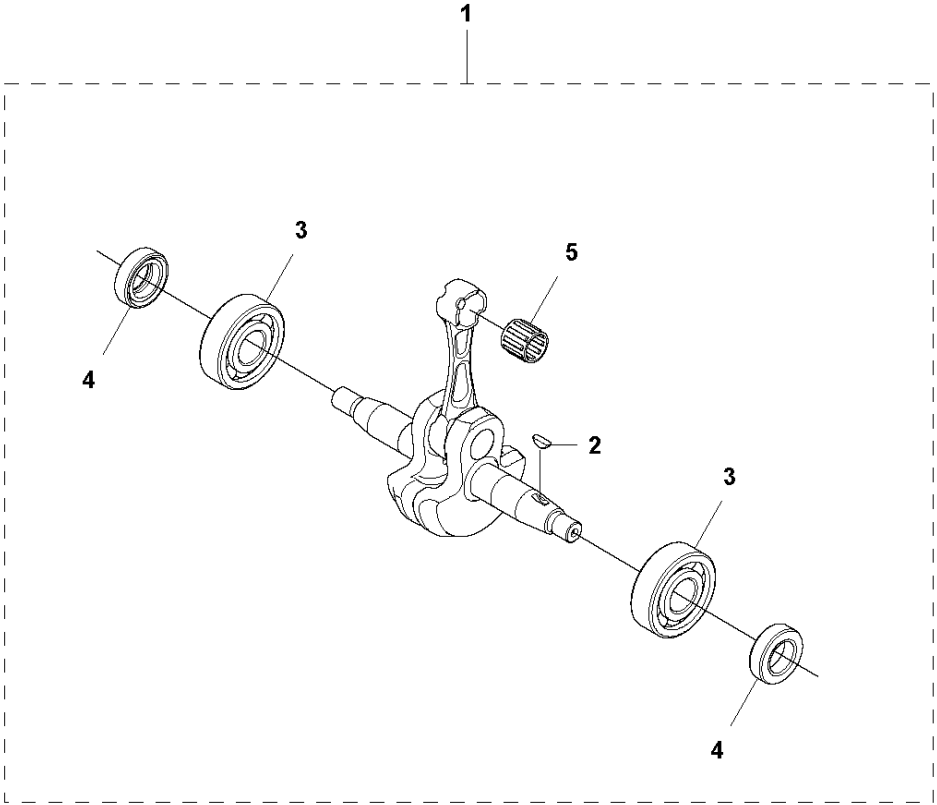


CRANKCASE

578BTF, 2014-09

| Ref | Part No      | Description | Remark | QTY KIT |
|-----|--------------|-------------|--------|---------|
| 1   | 513 24 19-01 | NUT         |        | 1       |
| 2   | 576 59 27-01 | COUPLING    |        | 1       |
| 3   | 506 68 94-01 | KEY         |        | 1       |
| 5   | 576 59 11-01 | CRANKCASE   |        | 1       |
| 6   | 515 38 81-01 | BOLT        |        | 4       |
| 7   | 576 56 43-01 | BOLT        |        | 4       |
| 10  | 576 59 16-01 | GASKET      |        | 1       |

**L** 578 BTF  
CRANK SHAFT

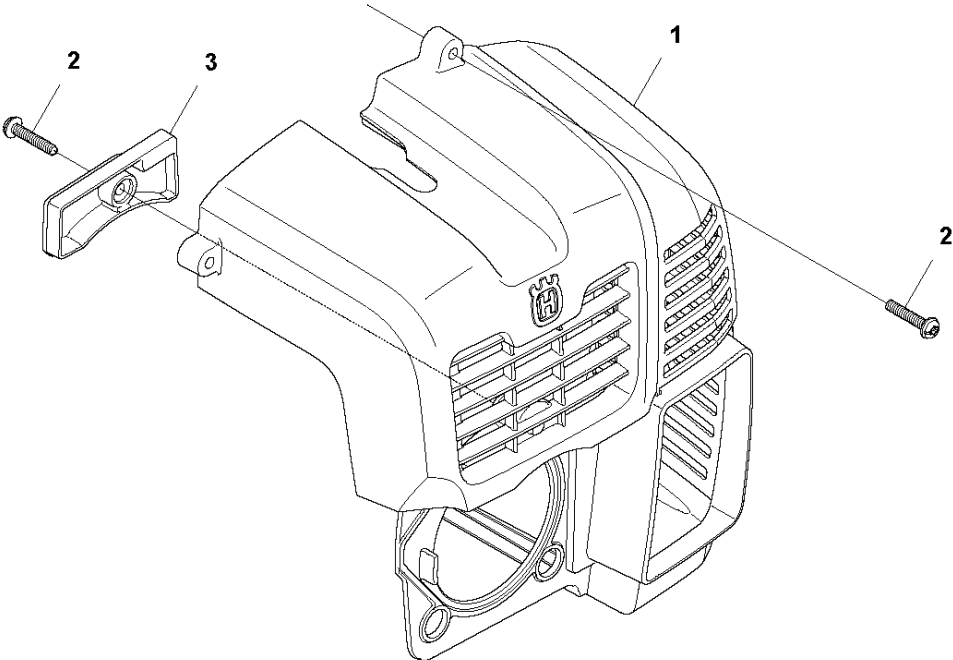


CRANKSHAFT

578BTF, 2014-09

| Ref | Part No      | Description   | Remark | QTY | KIT |
|-----|--------------|---------------|--------|-----|-----|
| 1   | 578 38 51-01 | BEARING SHAFT |        | 1   |     |
| 2   | 506 68 94-01 | KEY           |        | 1   | 1   |
| 3   | 521 52 13-01 | BEARING       |        | 2   | 1   |
| 4   | 521 52 19-01 | SEAL          |        | 2   | 1   |
| 5   | 576 69 64-01 | BEARING       |        | 1   | 1   |

**C** 578 BTF  
CYLINDER COVER

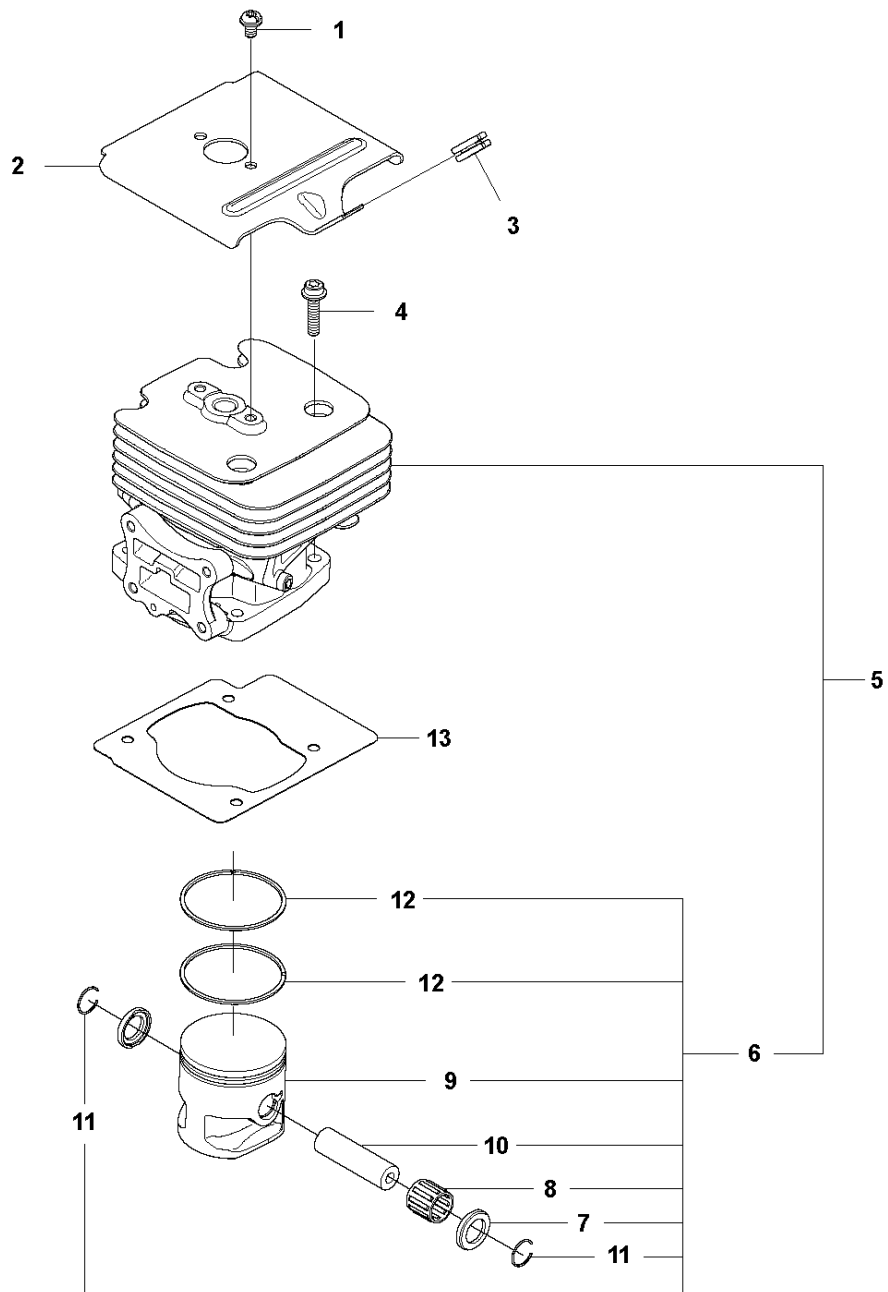


CYLINDER COVER

578BTF, 2014-09

| Ref | Part No      | Description  | Remark | QTY KIT |
|-----|--------------|--------------|--------|---------|
| 1   | 576 57 85-01 | ENGINE COVER |        | 1       |
| 2   | 512 84 81-01 | SCREW        |        | 5       |
| 3   | 576 57 86-01 | COVER        |        | 1       |

**J** 578 BTF  
CYLINDER & PISTON

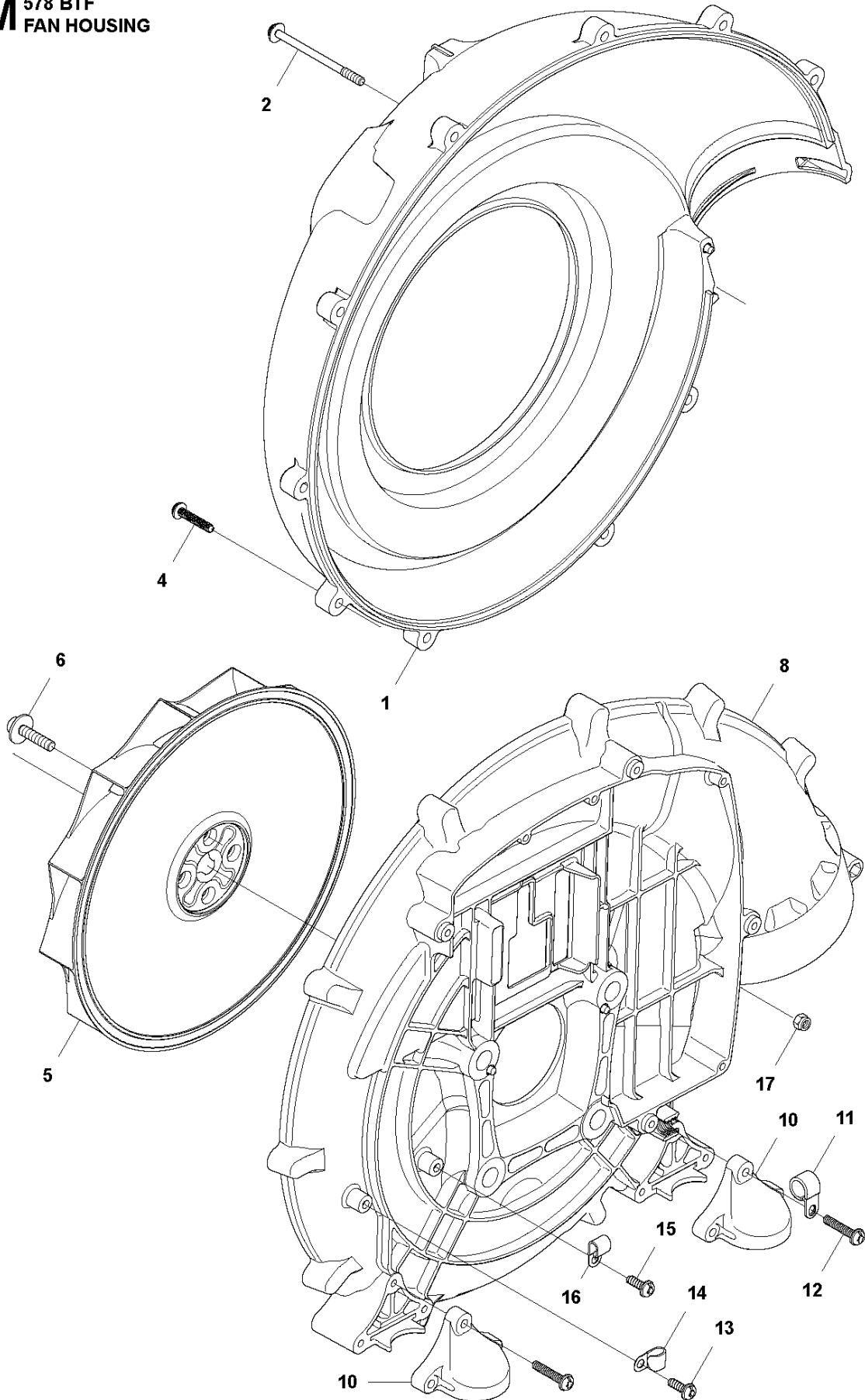


## CYLINDER PISTON

578BTF, 2014-09

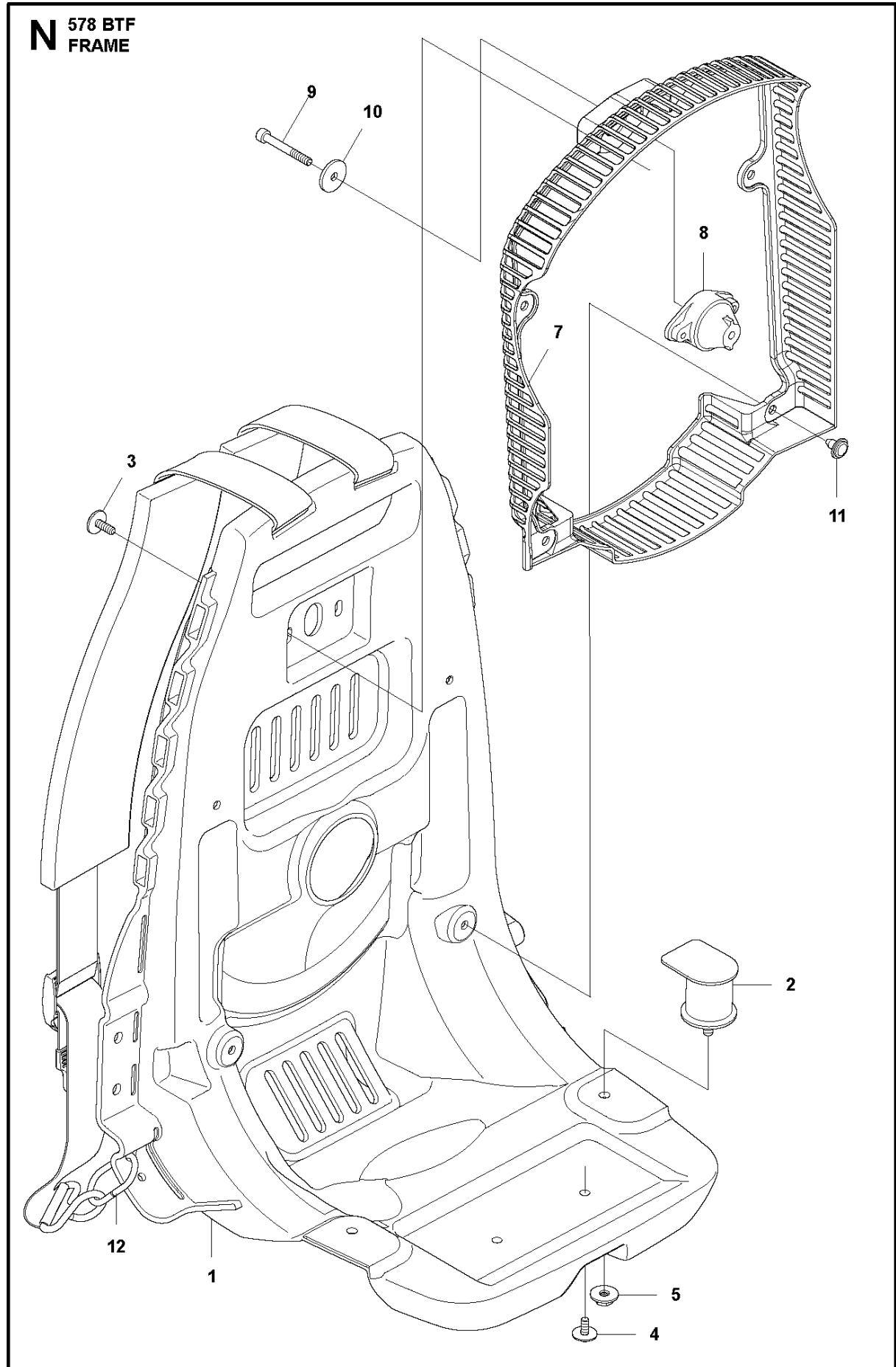
| Ref | Part No      | Description | Remark | QTY | KIT  |
|-----|--------------|-------------|--------|-----|------|
| 1   | 544 25 68-01 | SCREW       |        | 2   |      |
| 2   | 576 58 95-01 | PLATE       |        | 1   |      |
| 3   | 576 58 96-01 | GROMMET     |        | 1   |      |
| 4   | 506 74 52-01 | BOLT        |        | 4   |      |
| 5   | 578 38 50-01 | CYLINDER    |        | 1   |      |
| 6   | 576 59 64-01 | PISTON      |        | 1   | 5    |
| 7   | 521 52 05-01 | WASHER      |        | 2   | 5, 6 |
| 8   | 576 69 64-01 | BEARING     |        | 1   | 5, 6 |
| 9   | 576 59 65-01 | PISTON      |        | 1   | 5, 6 |
| 10  | 576 59 68-01 | PIN         |        | 1   | 5, 6 |
| 11  | 521 53 19-01 | SNAP RING   |        | 2   | 5, 6 |
| 12  | 576 59 67-01 | RING        |        | 2   | 5, 6 |
| 13  | 576 58 94-01 | GASKET      |        | 1   |      |

**M** 578 BTF  
FAN HOUSING



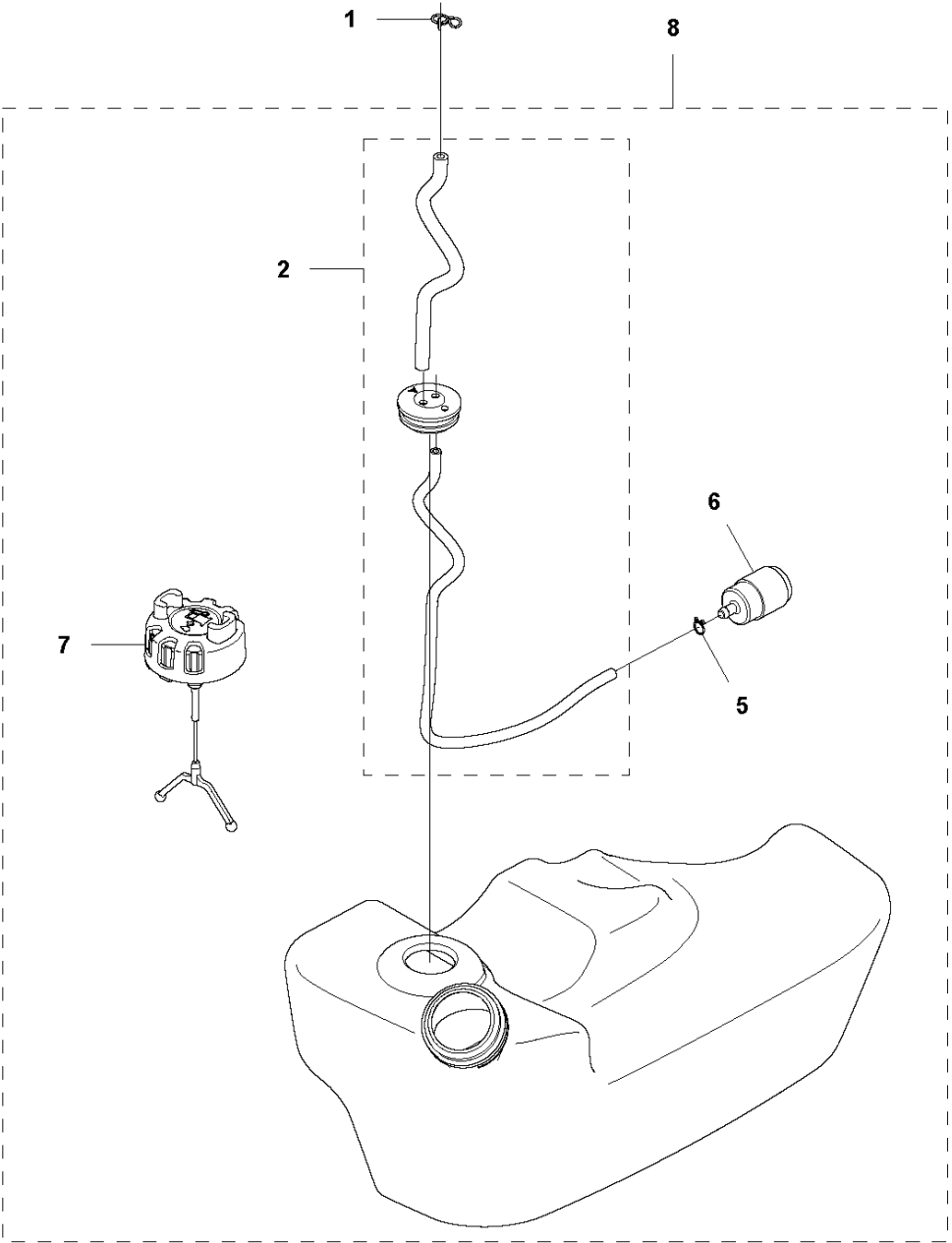


| Ref | Part No      | Description | Remark | QTY KIT |
|-----|--------------|-------------|--------|---------|
| 1   | 576 70 29-01 | VOLUTE      |        | 1       |
| 2   | 544 26 46-01 | SCREW       |        | 2       |
| 4   | 512 84 81-01 | SCREW       |        | 10      |
| 5   | 581 80 69-01 | FAN         |        | 1       |
| 6   | 576 56 16-01 | BOLT        |        | 4       |
| 8   | 576 70 28-01 | VOLUTE      |        | 1       |
| 10  | 576 57 94-01 | BRACKET     |        | 2       |
| 11  | 504 12 23-01 | CLIP        |        | 1       |
| 12  | 512 84 81-01 | SCREW       |        | 6       |
| 13  | 512 84 79-01 | SCREW       |        | 1       |
| 14  | 521 52 51-01 | CLAMP       |        | 1       |
| 15  | 512 84 79-01 | SCREW       |        | 1       |
| 16  | 521 52 51-01 | CLAMP       |        | 1       |
| 17  | 514 18 39-01 | NUT         |        | 2       |



| Ref | Part No      | Description | Remark | QTY KIT |
|-----|--------------|-------------|--------|---------|
| 1   | 577 14 54-01 | FRAME       |        | 1       |
| 2   | 576 56 22-01 | DAMPER      |        | 2       |
| 3   | 544 27 08-01 | SCREW       |        | 2       |
| 4   | 577 62 88-01 | SCREW       |        | 2       |
| 5   | 513 66 75-01 | NUT         |        | 2       |
| 7   | 576 57 92-01 | NET         |        | 1       |
| 8   | 513 66 67-01 | DAMPER      |        | 1       |
| 9   | 521 51 72-01 | BOLT        |        | 1       |
| 10  | 577 35 79-01 | WASHER      |        | 1       |
| 11  | 526 24 39-01 | CLIP        |        | 4       |
| 12  | 514 33 16-01 | RING        |        | 2       |

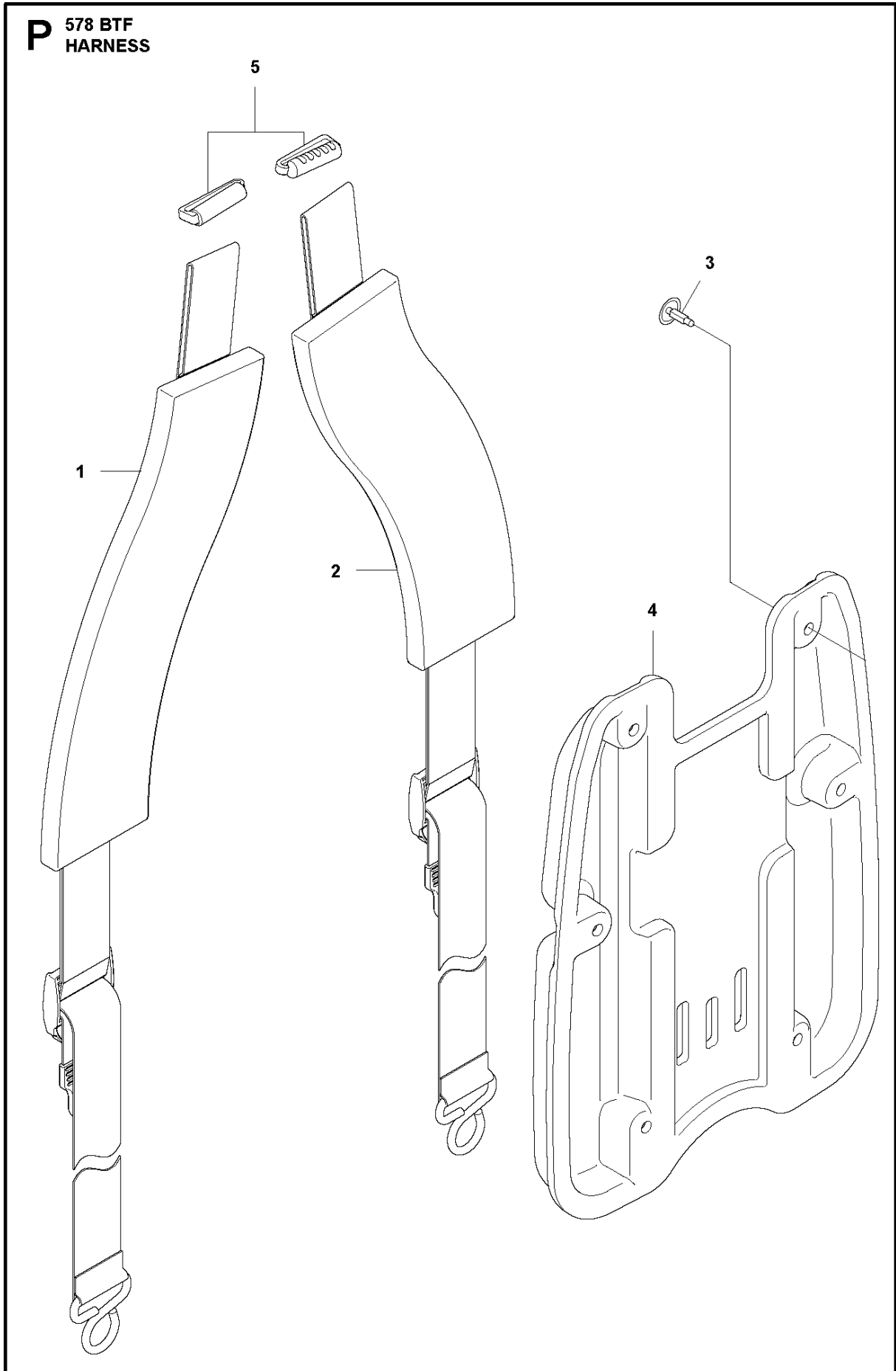
**G** 578 BTF  
FUEL TANK



## FUEL TANK

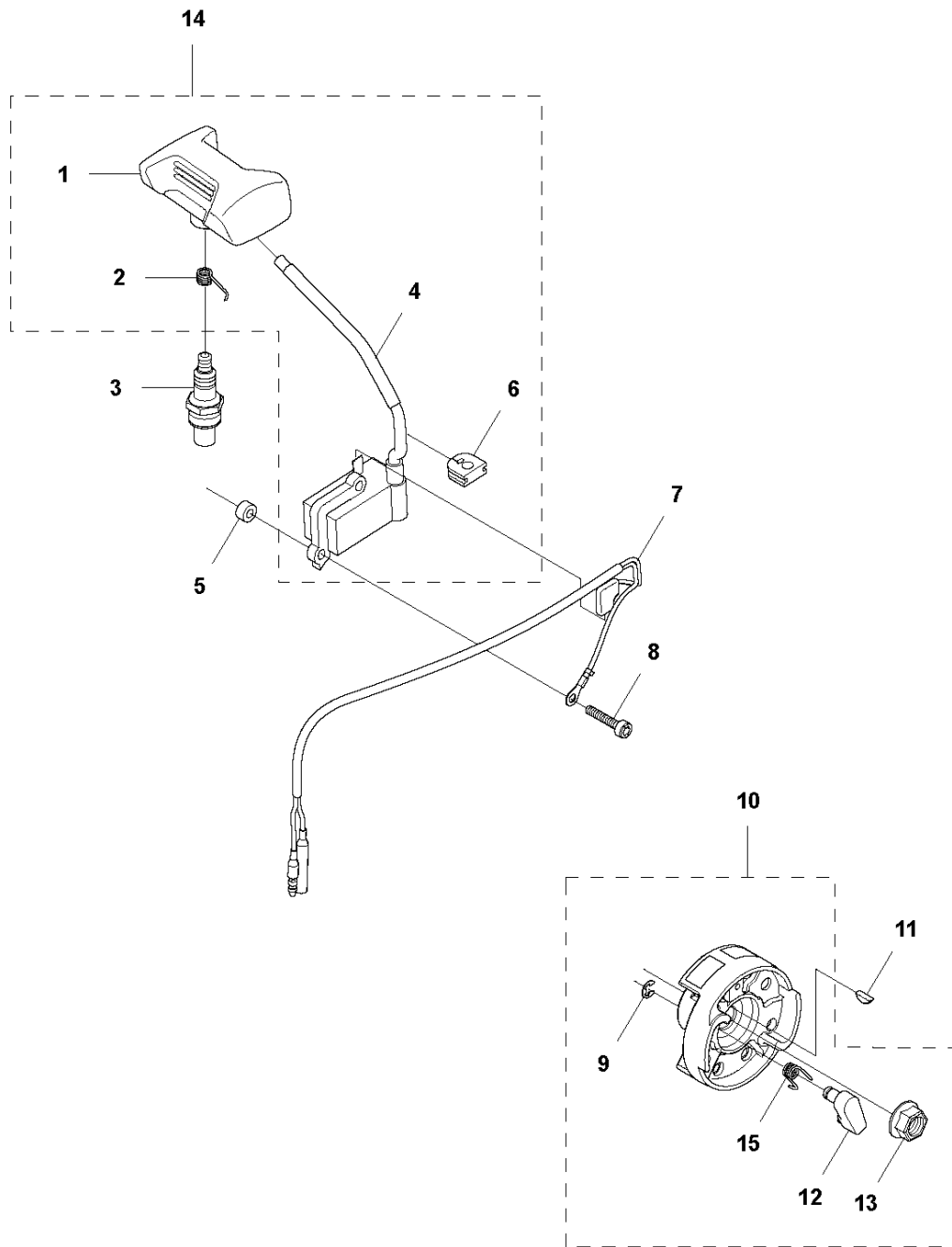
578BTF, 2014-09

| Ref | Part No      | Description    | Remark | QTY | KIT |
|-----|--------------|----------------|--------|-----|-----|
| 1   | 506 74 15-01 | CLIP           |        | 1   |     |
| 2   | 587 19 37-01 | PIPE           |        | 1   | 8   |
| 5   | 506 70 70-01 | CLIP           |        | 1   | 8   |
| 6   | 506 74 26-01 | FILTER         |        | 1   | 8   |
| 7   | 504 03 18-01 | TANK CAP ASSY  |        | 1   | 8   |
| 8   | 587 19 39-01 | FUEL TANK ASSY |        | 1   |     |



| Ref | Part No      | Description | Remark | QTY KIT |
|-----|--------------|-------------|--------|---------|
| 3   | 526 47 67-01 | CLIP        |        | 6       |
| 1   | 587 07 08-01 | BAND        |        | 1       |
| 2   | 511 80 29-01 | BAND        |        | 1       |
| 4   | 576 56 20-01 | PAD         |        | 1       |
| 5   | 544 27 00-01 | CLIP        |        | 2       |

**H** 578 BTF  
IGNITION SYSTEM



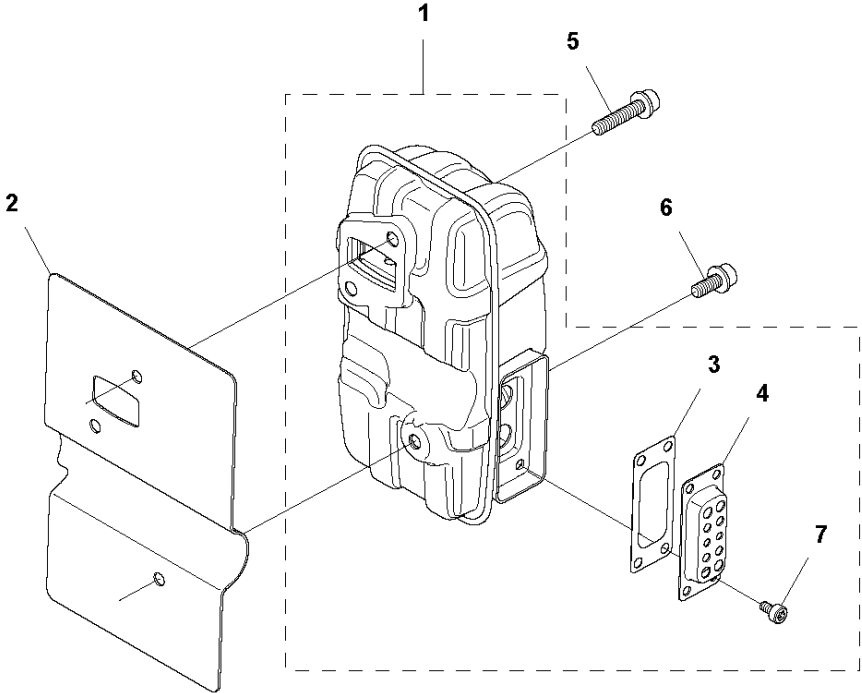


## IGNITION SYSTEM

578BTF, 2014-09

| Ref | Part No      | Description    | Remark | QTY | KIT |
|-----|--------------|----------------|--------|-----|-----|
| 1   | 587 98 47-01 | SPARK PLUG CAP |        | 1   | 14  |
| 2   | 506 65 52-01 | SPRING         |        | 1   | 14  |
| 3   | 521 23 34-01 | SPARK PLUG     |        | 1   |     |
| 4   | 587 65 44-01 | TUBE           |        | 1   | 14  |
| 5   | 588 17 14-01 | SPACER         |        | 2   |     |
| 6   | 515 41 53-01 | GROMMET        |        | 1   | 14  |
| 7   | 576 59 38-01 | CORD           |        | 1   |     |
| 8   | 579 38 30-01 | BOLT           |        | 2   |     |
| 9   | 587 65 48-01 | RING           |        | 2   | 10  |
| 10  | 587 65 51-01 | ROTOR          |        | 1   |     |
| 11  | 506 68 94-01 | KEY            |        | 1   |     |
| 12  | 587 65 50-01 | RATCHET        |        | 2   | 10  |
| 13  | 513 24 19-01 | NUT            |        | 1   | 10  |
| 14  | 587 98 45-01 | COIL           |        | 1   |     |
| 15  | 587 65 49-01 | SPRING         |        | 2   | 10  |

**F** 578 BTF  
MUFFLER

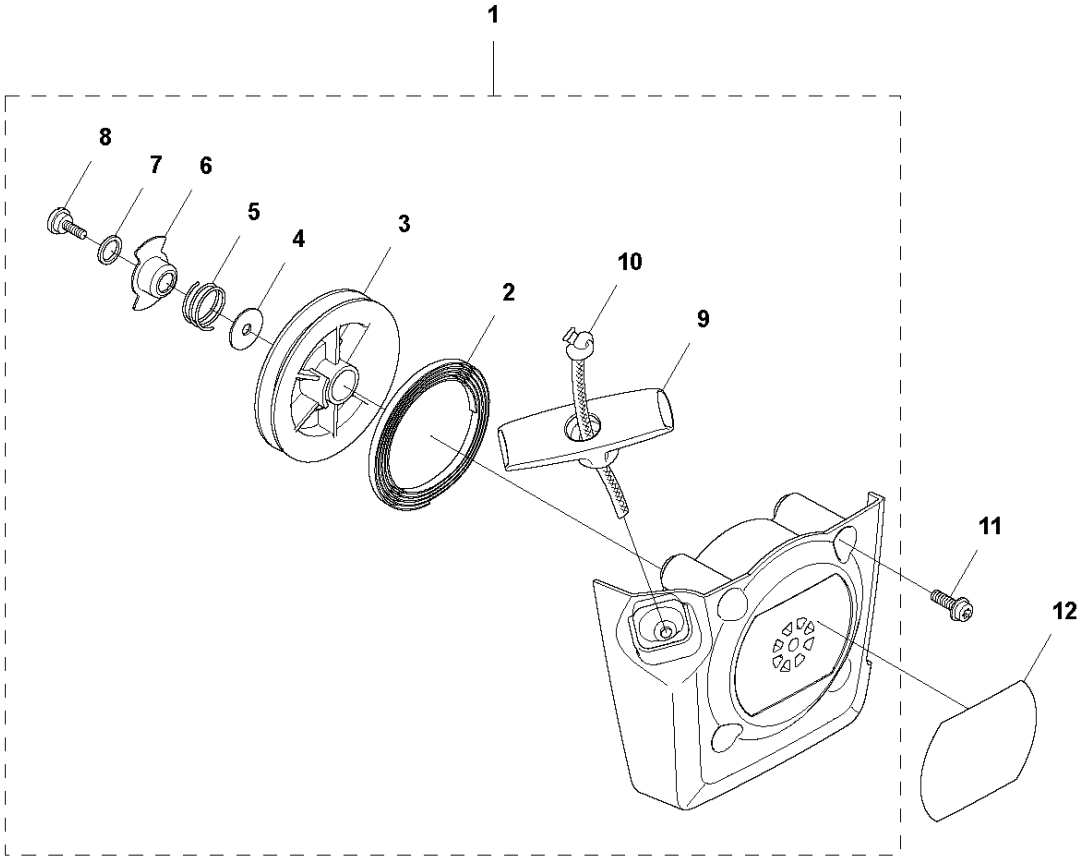


MUFFLER

578BTF, 2014-09

| Ref | Part No      | Description    | Remark | QTY | KIT |
|-----|--------------|----------------|--------|-----|-----|
| 1   | 585 04 42-01 | MUFFLER ASSY   |        | 1   |     |
| 2   | 576 59 09-01 | GASKET         |        | 1   |     |
| 3   | 585 04 44-01 | SPARK ARRESTER |        | 1   | 1   |
| 4   | 585 04 45-01 | DIFFUSER       |        | 1   | 1   |
| 5   | 576 59 07-01 | BOLT           |        | 2   |     |
| 6   | 576 59 08-01 | BOLT           |        | 1   |     |
| 7   | 544 36 27-01 | BOLT           |        | 4   | 1   |

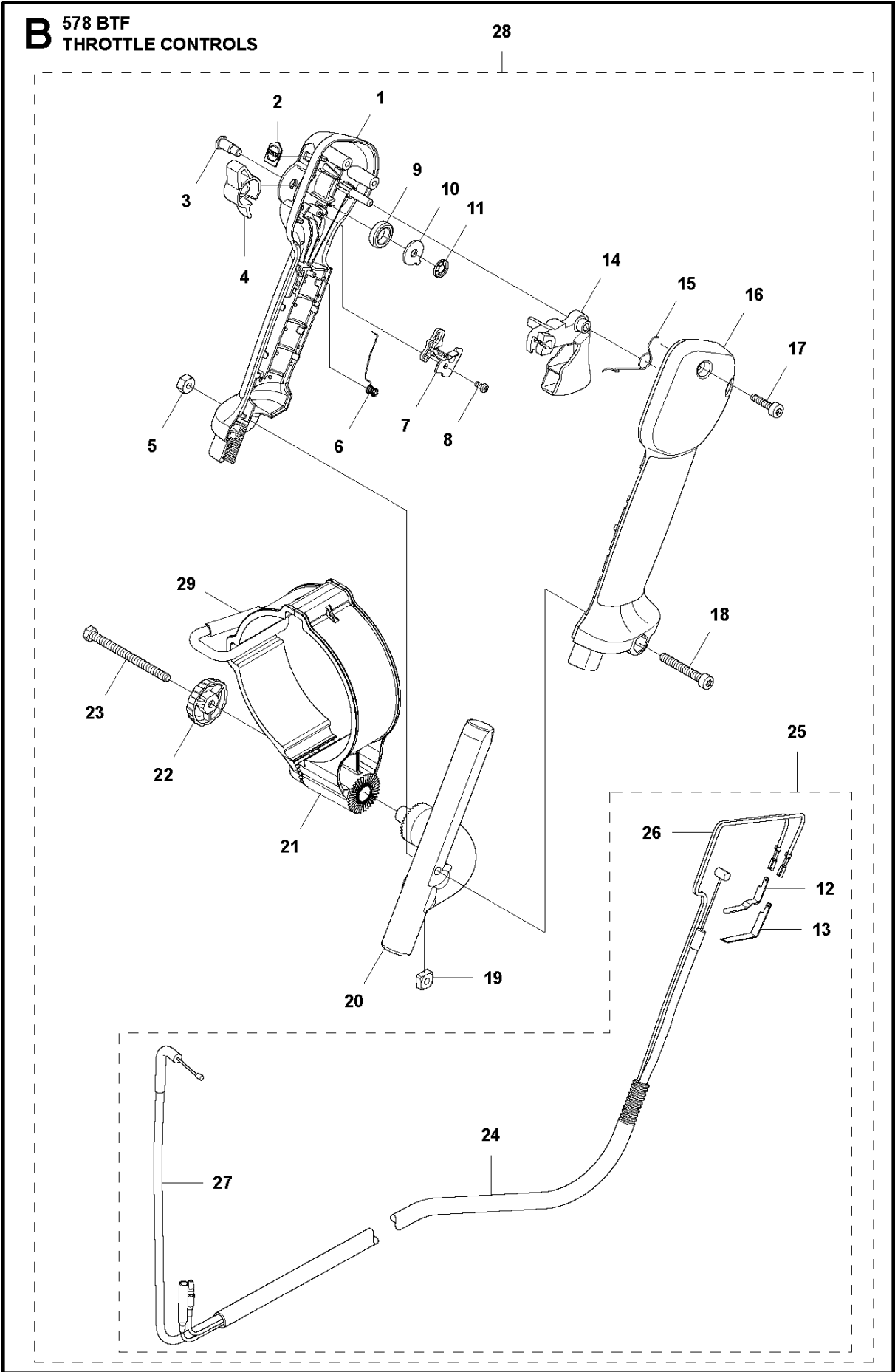
**D** 578 BTF  
STARTER



## STARTER

578BTF, 2014-09

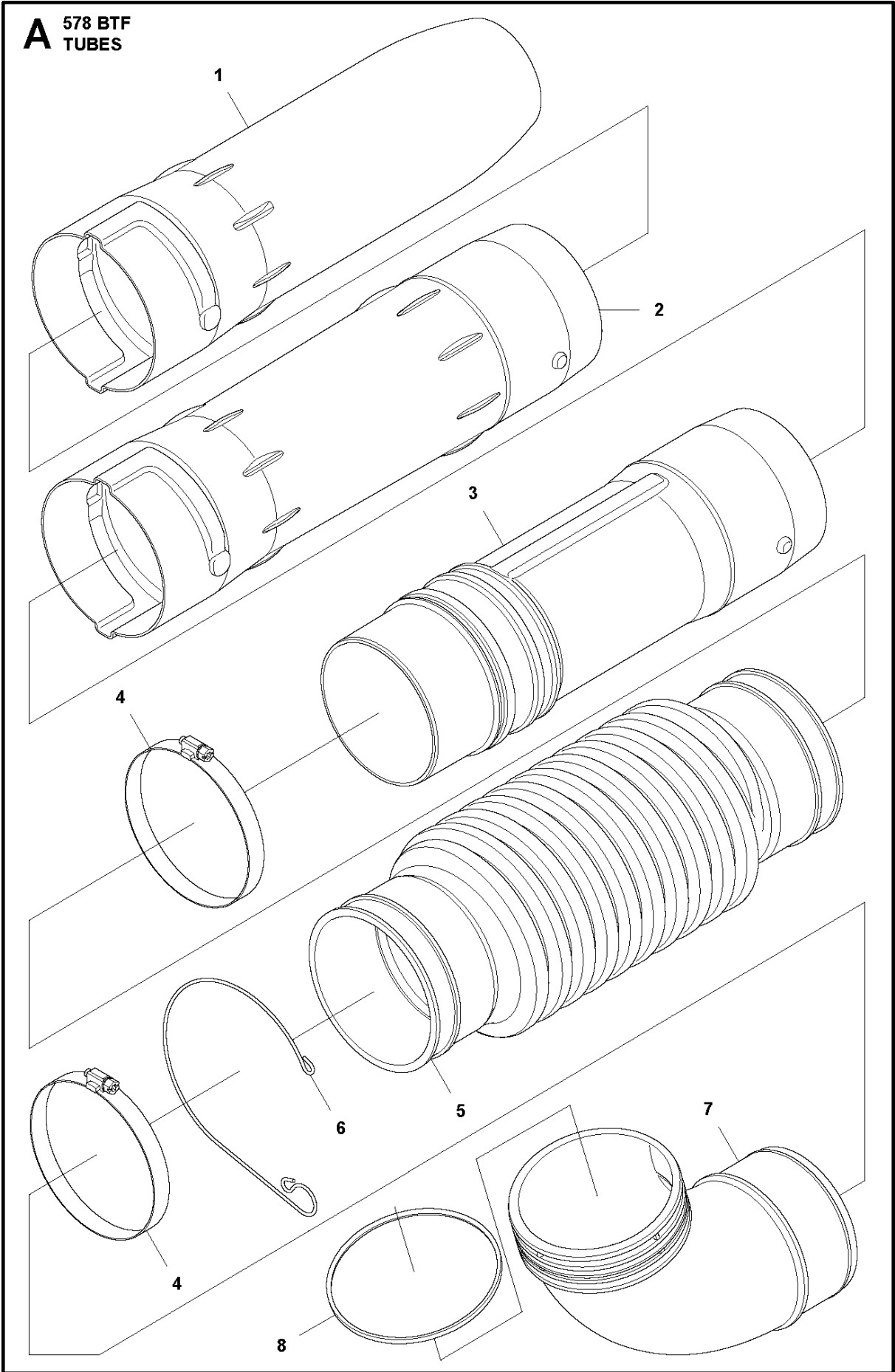
| Ref | Part No      | Description    | Remark | QTY | KIT |
|-----|--------------|----------------|--------|-----|-----|
| 1   | 578 28 35-01 | STARTER ASSY   |        | 1   |     |
| 2   | 521 62 96-01 | SPRING         |        | 1   | 1   |
| 3   | 576 59 42-01 | REEL           |        | 1   | 1   |
| 4   | 521 63 08-01 | WASHER         |        | 1   | 1   |
| 5   | 521 63 06-01 | SPRING         |        | 1   | 1   |
| 6   | 521 63 03-01 | PLATE          |        | 1   | 1   |
| 7   | 521 63 12-01 | WASHER         |        | 1   | 1   |
| 8   | 515 36 71-01 | SCREW          |        | 1   | 1   |
| 9   | 537 23 25-01 | STARTER HANDLE |        | 1   | 1   |
| 10  | 577 05 31-01 | ROPE           |        | 1   | 1   |
| 11  | 506 74 56-01 | BOLT           |        | 4   |     |
| 12  | 586 89 41-01 | DECAL          |        | 1   |     |



## THROTTLE CONTROLS

578BTF, 2014-09

| Ref | Part No      | Description          | Remark | QTY | KIT    |
|-----|--------------|----------------------|--------|-----|--------|
| 29  | 586 89 47-01 | RING                 |        | 1   |        |
| 1   | 502 24 48-01 | HANDLE HALF          |        | 1   | 28     |
| 2   | 502 64 17-01 | PLATE                |        | 1   | 28     |
| 3   | 537 14 12-03 | SHAFT PIVOT          |        | 1   | 28     |
| 4   | 502 24 55-01 | CONTROL              |        | 1   | 28     |
| 5   | 510 91 12-01 | NUT                  |        | 1   | 28     |
| 6   | 505 56 79-01 | SPRING               |        | 1   | 28     |
| 7   | 502 24 60-01 | RETAINER             |        | 1   | 28     |
| 8   | 502 29 10-01 | COVER                |        | 1   | 28     |
| 9   | 537 37 39-01 | SPRING               |        | 1   | 28     |
| 10  | 505 18 15-01 | WASHER               |        | 1   | 28     |
| 11  | 735 58 35-01 | WASHER               |        | 1   | 28     |
| 12  | 537 22 63-01 | CONNECTOR            |        | 1   | 25, 28 |
| 13  | 537 22 62-01 | CONNECTOR            |        | 1   | 25, 28 |
| 14  | 502 24 54-01 | TRIGGER              |        | 1   | 28     |
| 15  | 537 17 42-01 | SPRING THROTTLE TRIG |        | 1   | 28     |
| 16  | 502 24 49-01 | HANDLE HALF          |        | 1   | 28     |
| 17  | 505 29 12-01 | SCREW                |        | 2   | 28     |
| 18  | 505 29 08-01 | SCREW                |        | 1   | 28     |
| 19  | 503 22 65-01 | SQUARE NUT           |        | 1   | 28     |
| 20  | 502 24 53-01 | HOLDER               |        | 1   | 28     |
| 21  | 576 57 97-01 | HANDLE HOLDER        |        | 1   | 28     |
| 22  | 504 80 03-01 | TURNING KNOB         |        | 1   | 28     |
| 23  | 725 23 44-51 | SCREW EHHM           |        | 1   | 28     |
| 24  | 577 75 69-01 | TUBE                 |        | 1   | 25, 28 |
| 25  | 576 78 56-01 | WIRING ASSY          |        | 1   | 28     |
| 26  | 576 78 57-01 | CORD                 |        | 1   | 25, 28 |
| 27  | 576 78 58-01 | CABLE                |        | 1   | 25, 28 |
| 28  | 576 57 96-01 | LEVER                |        | 1   |        |





TUBE

578BTF, 2014-09

| Ref | Part No      | Description | Remark | QTY KIT |
|-----|--------------|-------------|--------|---------|
| 1   | 586 89 46-01 | PIPE        |        | 1       |
| 2   | 576 58 17-01 | PIPE        |        | 1       |
| 3   | 576 58 14-01 | JOINT       |        | 1       |
| 4   | 544 27 41-01 | CLAMP       |        | 2       |
| 5   | 576 56 47-01 | HOSE        |        | 1       |
| 6   | 502 84 28-01 | CLAMP       |        | 1       |
| 7   | 576 57 83-01 | ELBOW       |        | 1       |
| 8   | 505 17 98-01 | O-RING      |        | 1       |

# Illustrated Parts List - IPL Update



Product Name(s)

578BTF

Description of change

Change Magneto and its children parts.

Comments

.

Introduced from

| Serial number / Date | Remark              |
|----------------------|---------------------|
| From # /             | 967 30 77 01 578BTF |
|                      |                     |
|                      |                     |

IPL updates

| Page Title      | Ref. no | New part no  | Name           | Excl. part no. | Remark |
|-----------------|---------|--------------|----------------|----------------|--------|
| IGNITION SYSTEM | 1       | 587 98 47-01 | SPARK PLUG CAP | 576 58 32-01   |        |
| IGNITION SYSTEM | 2       | 506 65 52-01 | SPRING         | 513 24 33-01   |        |
| IGNITION SYSTEM | 4       | 587 65 44-01 | TUBE           | 576 59 37-01   |        |
| IGNITION SYSTEM | 5       | 588 17 14-01 | SPACER         | 521 76 97-01   |        |
| IGNITION SYSTEM | 9       | 587 65 48-01 | RING           | 510 49 01-01   |        |
| IGNITION SYSTEM | 10      | 587 65 51-01 | ROTOR          | 584 80 97-01   |        |
| IGNITION SYSTEM | 12      | 587 65 50-01 | RATCHET        | 576 59 32-01   |        |
| IGNITION SYSTEM | 14      | 587 98 45-01 | COIL           | 583 91 80-01   |        |
| IGNITION SYSTEM | 15      | 587 65 49-01 | SPRING         | 576 59 33-01   |        |