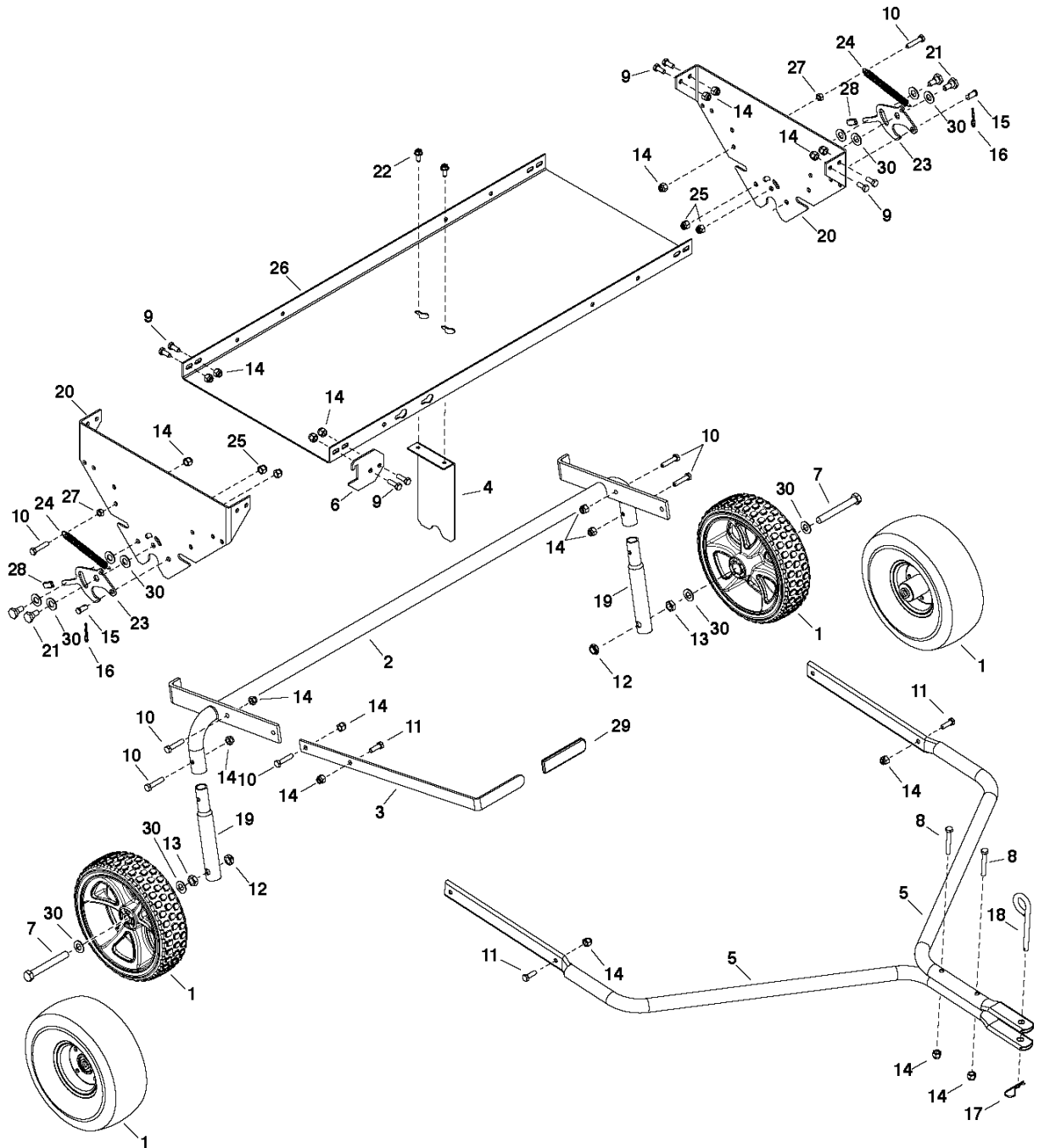




SPARE PARTS LIST

ACCESSORIES AND TOOLS

ATTACHMENT PLATFORM, 586637201,
2016-08



PRODUCT COMPLETE

ATTACHMENT PLATFORM, 586637201, 2016-08

Ref	Part No	Description	Remark	QTY KIT
1	589 39 26-01	WHEEL		2
1	581 83 72-01	WHEEL ASSY		2
2	586 80 72-01	TUBE ASSY		1
3	586 80 26-01	HANDLE		1
4	586 80 23-01	BRACE		1
5	586 80 49-01	TUBE		2
6	586 80 20-01	CATCH		1
7	586 80 67-01	BOLT		2
8	580 74 25-01	BOLT		2
9	522 75 99-01	BOLT		8
10	501 33 21-01	BOLT		6
11	531 00 74-26	BOLT		3
12	586 80 70-01	NUT		2
13	586 80 63-01	NUT		2
14	501 02 11-01	NUT		19
15	531 00 46-38	PIN RETAINING SCREW		2
16	501 34 70-01	PEN		2
17	721 68 02-51	SPRING COTTER		1
18	506 62 56-01	HITCH		1
19	589 39 27-01	TUBE		2
20	586 80 25-01	PLATE		2
21	501 33 94-01	BOLT		4
22	501 33 65-01	BOLT		2
23	586 80 21-01	RETAINER		2
24	586 80 82-01	SPRING		2
25	501 33 27-01	NUT		4
26	586 80 24-01	TRAY		1
27	522 75 87-01	NUT		2
28	586 80 41-01	GRIP		2
29	586 80 69-01	GRIP		1
30	501 33 45-01	WASHER		12