

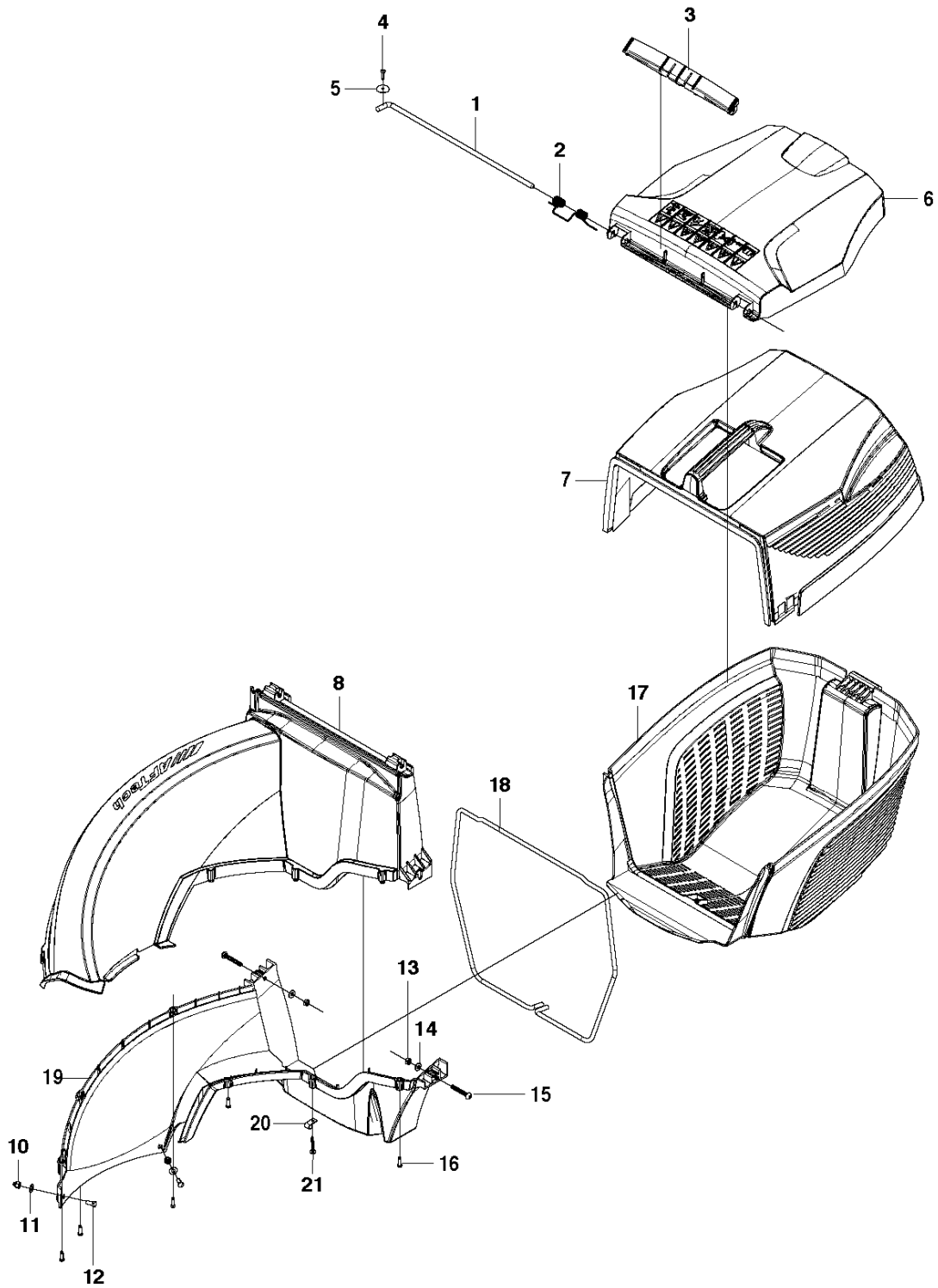


# SPARE PARTS LIST

LAWN MOWERS: CONSUMER  
WALK-BEHINDS

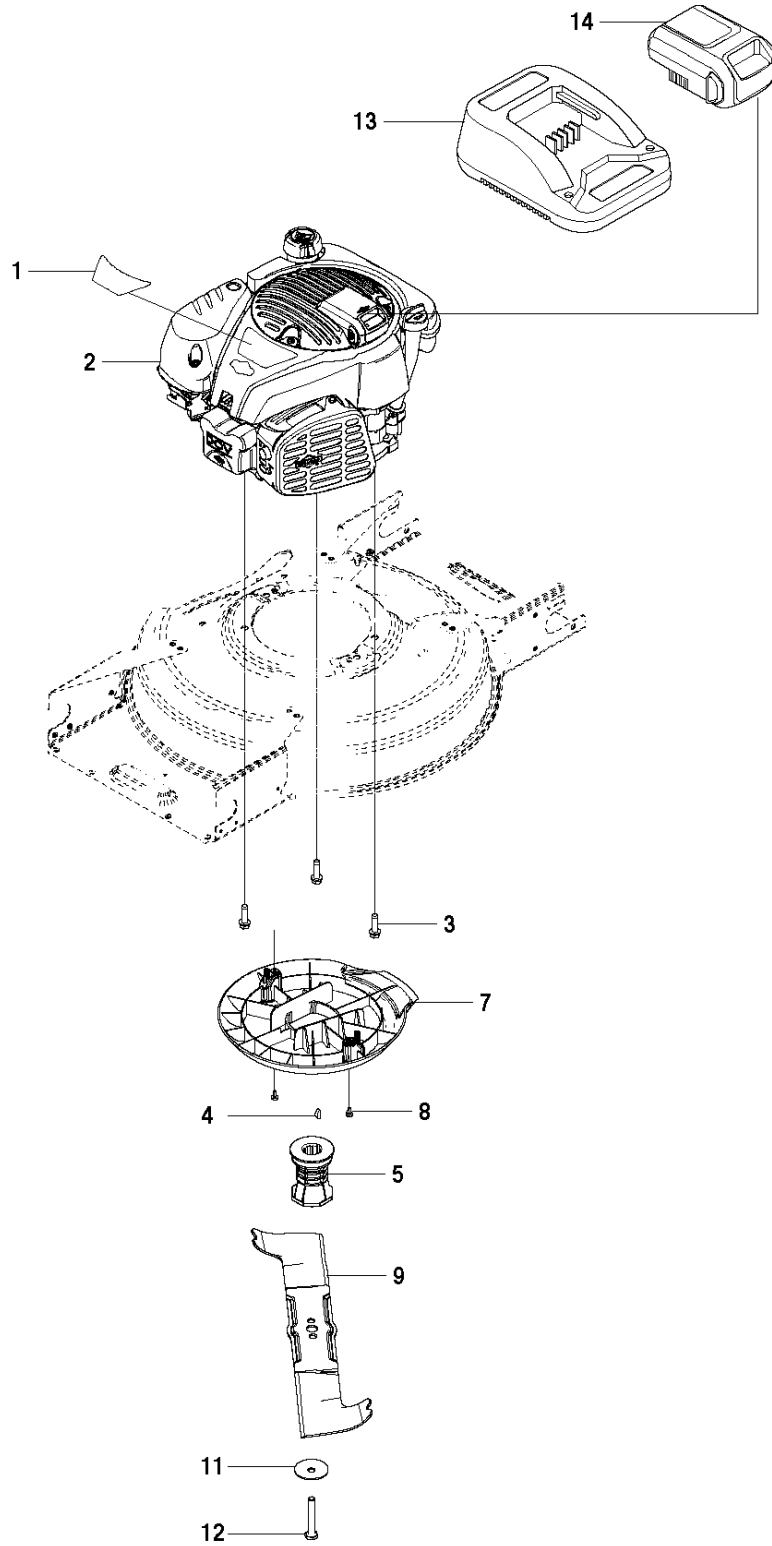
LC353 VI, 967303801, 2015

**D** ALPHA LC353 VI  
COLLECT PARTS



Ref	Part No	Description	Remark	QTY KIT
1	502 24 59-02	AXLE		1
2	502 24 47-01	SPRING		1
3	504 59 81-01	COVER LID		1
4	502 43 53-01	SCREW ITXPANT		1
5	575 88 55-01	WASHER		1
6	501 96 77-01	HATCH		1
7	501 98 77-01	GRASSBAG		1
8	505 39 67-01	CHUTE		1
10	502 30 50-01	CAP NUT		2
11	505 19 84-01	WASHER		2
12	505 15 61-01	SCREW		2
13	732 25 16-01	HEXAGON LOCKING NUT		2
14	505 19 84-01	WASHER		2
15	505 55 77-01	SCREW ITXPANTT		2
16	502 43 53-01	SCREW ITXPANT		5
17	501 98 76-01	GRASSBAG		1
18	502 44 71-01	GRASSBAG		1
19	505 39 69-01	CHUTE		1
20	587 66 30-01	CLIP		1
21	580 91 76-01	SCREW		1

**C** ALPHA LC353 VI  
ENGINE

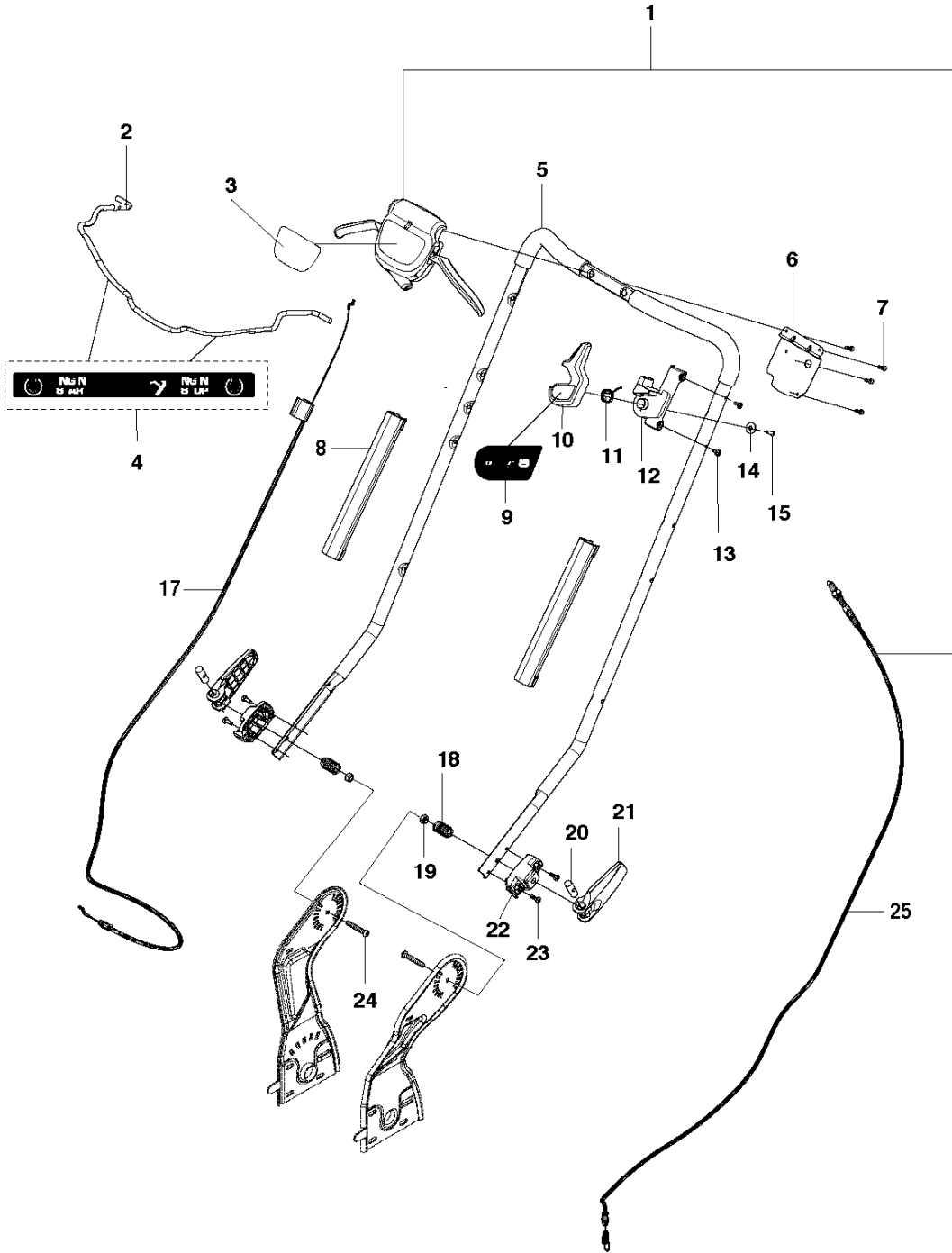


## ENGINE

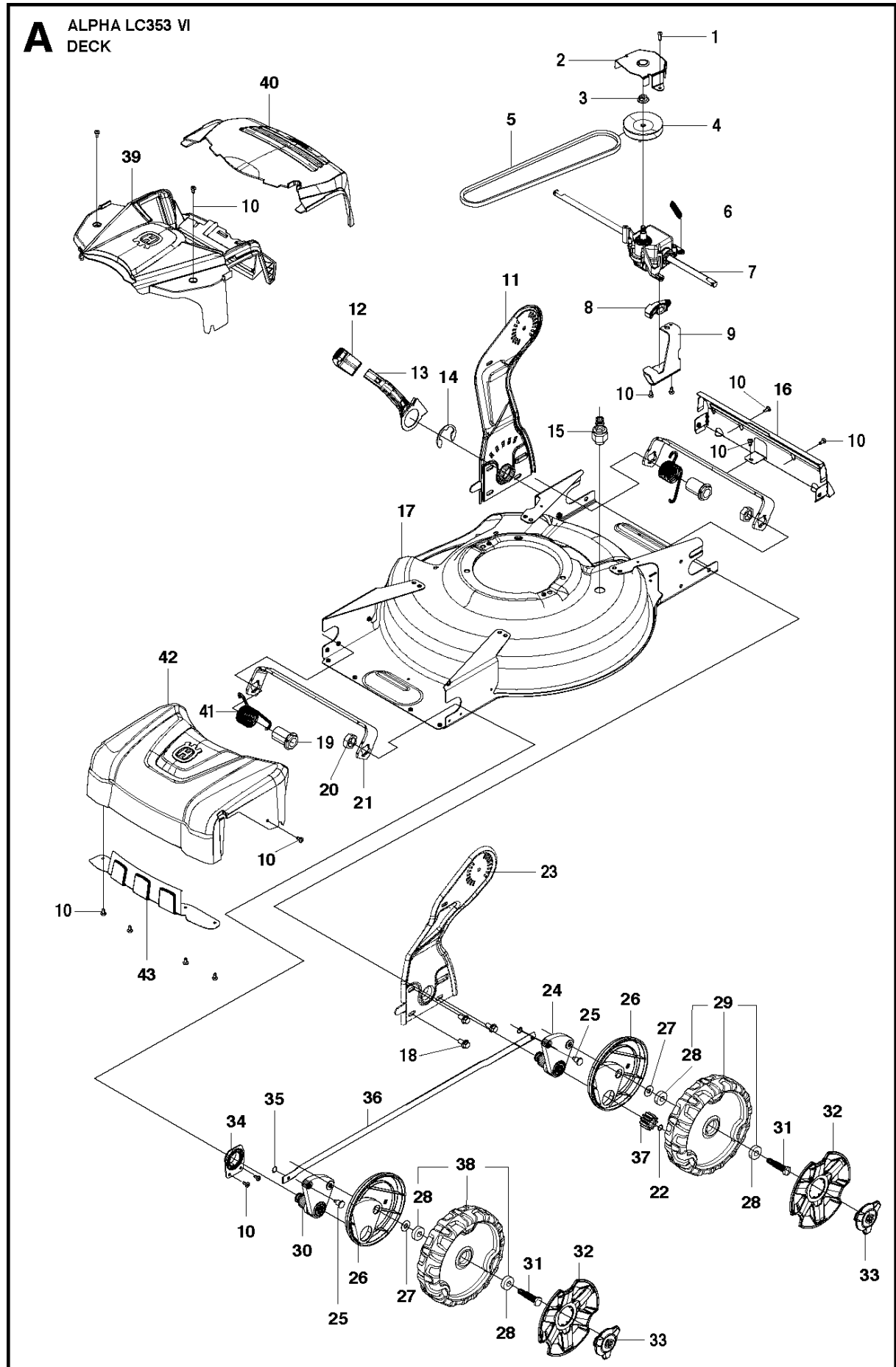
LC353 VI, 967303801, 2015

Ref	Part No	Description	Remark	QTY KIT
1	587 18 90-01	LABEL		1
2	-	TBD	100605-0188-H8, B&S	1
3	531 21 28-51	SCREW		3
4	504 46 05-01	WOODRUF KEY		1
5	504 59 13-02	BLADE SUPPORT		1
7	501 96 81-01	BELT COVER		1
8	502 43 52-01	SCREW ITXPANTT		2
9	510 43 64-10	MOWER BLADE		1
11	531 20 72-37	WASHER		1
12	531 20 66-49	SCREW		1
13	-	TBD	592964, B&S, Will not be in Husqvarna Part number	1
14	-	TBD	592908, B&S, Will not be in Husqvarna Part number	1

**B** ALPHA LC353 VI  
HANDLE



Ref	Part No	Description	Remark	QTY	KIT
1	584 86 14-01	CONTROL		1	
2	584 44 25-04	BAIL		1	
3	584 82 49-01	LABEL		1	
4	587 24 07-01	DECAL		2	
5	584 86 00-05	HANDLE ASSY		1	
6	577 70 14-01	BRACKET		1	
7	574 39 14-01	SCREW ITPANT		6	
8	584 21 12-01	CABLE HOLDER		2	
9	587 26 07-02	DECAL		1	
10	585 05 43-02	CONTROL LEVER		1	
11	585 05 44-01	TORSION SPRING		1	
12	585 05 44-02	TORSION SPRING		1	
13	502 43 52-01	SCREW ITPANTT		2	
14	734 11 54-41	WASHER		1	
15	574 39 14-01	SCREW ITPANT		1	
17	585 40 20-08	CABLE		1	
18	504 63 81-01	SPRING		2	
19	732 21 18-01	LOCK NUT		2	
20	505 53 11-01	PEN		2	
21	504 13 83-01	LEVER		2	
22	580 77 62-01	ADJUSTMENT DISC		2	
23	502 43 52-03	SCREW ITPANTT		2	
24	505 52 46-01	SCREW ITPANTT		2	
25	577 27 66-02	CABLE		1	1





Ref	Part No	Description	Remark	QTY	KIT
1	502 43 53-01	SCREW ITXPANT		2	
2	522 61 23-01	BELT GUIDE		1	
3	504 05 56-01	NUT FLANGE		1	
4	504 05 33-01	PULLEY		1	
5	501 98 66-05	BELT		1	
6	504 04 87-01	SPRING		1	
7	504 04 80-01	GEARBOX		1	
8	504 04 83-01	LEVER		1	
9	504 04 86-01	BRACKET		1	
10	502 43 52-01	SCREW ITXPANTT		17	
11	504 00 00-04	HANDLE SUPPORT		1	
12	522 59 85-01	KNOB		1	
13	504 83 82-01	LEVER		1	
14	735 31 36-21	LOCKWASHER		1	
15	531 20 58-48	CONNECTOR		1	
16	504 64 15-01	SKID PLATE		1	
17	505 39 70-03	CHASSIS		1	
18	506 55 83-02	SCREW EHHFT		6	
19	522 02 40-01	NUT		2	
20	505 52 10-01	NUT		2	
21	574 40 60-01	TRANSVERSAL ROD		2	
22	504 70 28-01	LOCK RING		2	
23	504 00 32-04	HANDLE SUPPORT		1	
24	504 70 98-04	LINK ARM ASSY		2	
25	504 62 50-01	SHAFT		4	
26	504 62 41-01	DUST COVER		4	
27	505 22 14-01	WASHER		4	
28	738 21 01-04	BALL BEARING		8	29, 38
29	584 14 22-01	WHEEL ASSY		2	
30	504 70 98-02	LINK ARM ASSY		2	
31	574 25 94-01	SCREW		4	
32	584 15 93-01	HUB CAP		4	
33	584 15 94-01	NUT CAP		4	
34	504 62 49-01	BRACKET		2	
35	735 31 09-21	E-CLIP		2	
36	584 81 07-02	ROD		1	
37	544 34 23-01	PINION		2	
38	584 61 16-01	WHEEL ASSY		2	
39	505 20 19-02	REAR COVER		1	
40	505 20 21-01	HATCH		1	
41	522 02 46-01	SPRING		2	
42	583 90 18-01	FRONT COVER ASSY		1	
43	502 62 54-01	SKID PLATE		1	