

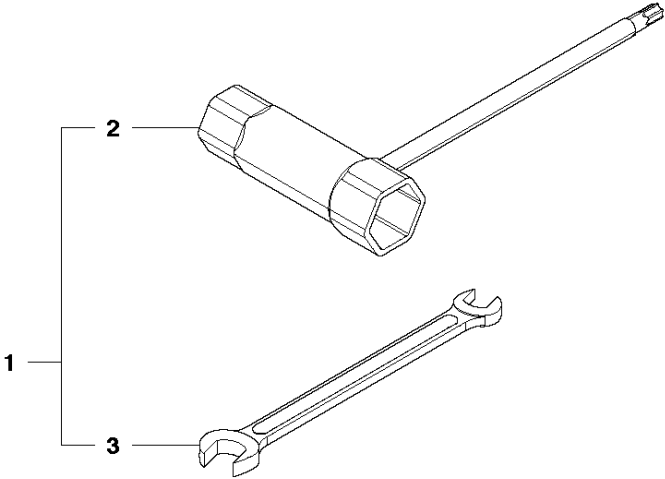


SPARE PARTS LIST

HEDGE TRIMMERS/POLE HEDGE
TRIMMERS

226HD60S EUII, 2014-04 (only valid for
967 27 98-01)

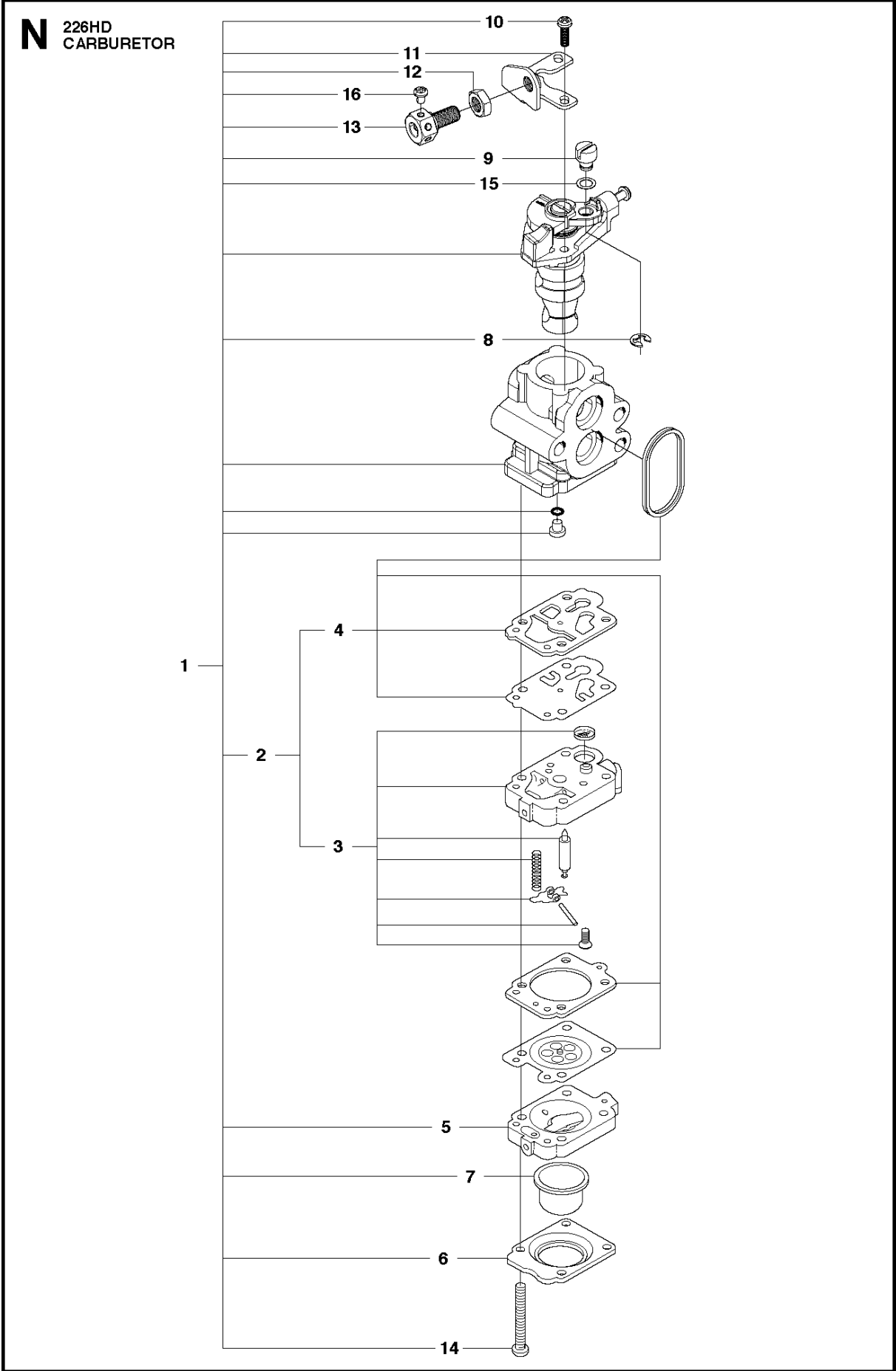
P 226HD
ACCESSORIES



ACCESSORIES

226HD60S EUII, 2014-04 (only valid for 967 27 98-01)

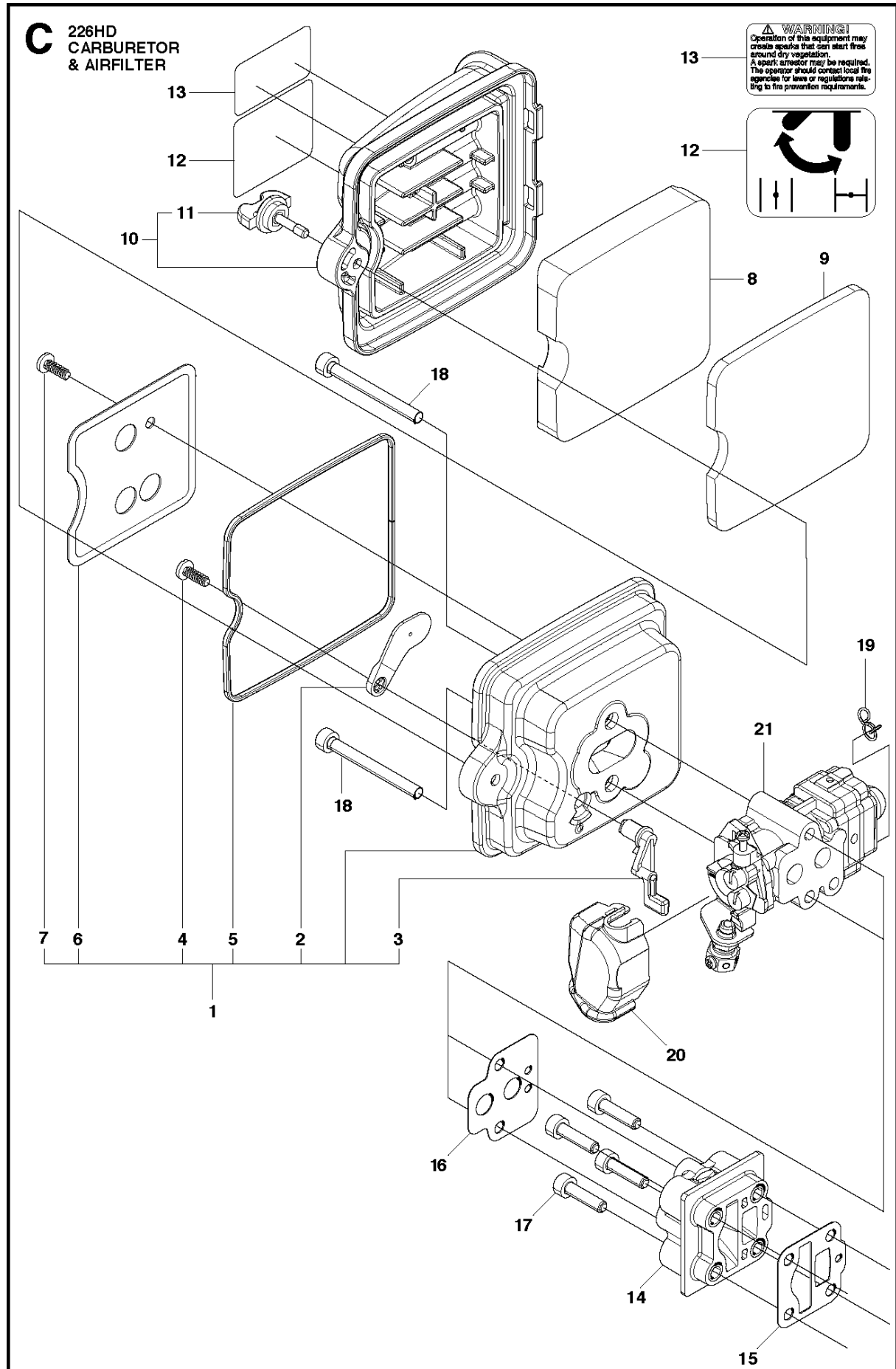
Ref	Part No	Description	Remark	QTY	KIT
1	521 83 99-01	TOOL-SET		1	
2	506 68 61-01	COMBINATION WRENCH		1	1
3	506 61 50-01	SPANNER		1	1



CARBURETOR

226HD60S EUII, 2014-04 (only valid for 967 27 98-01)

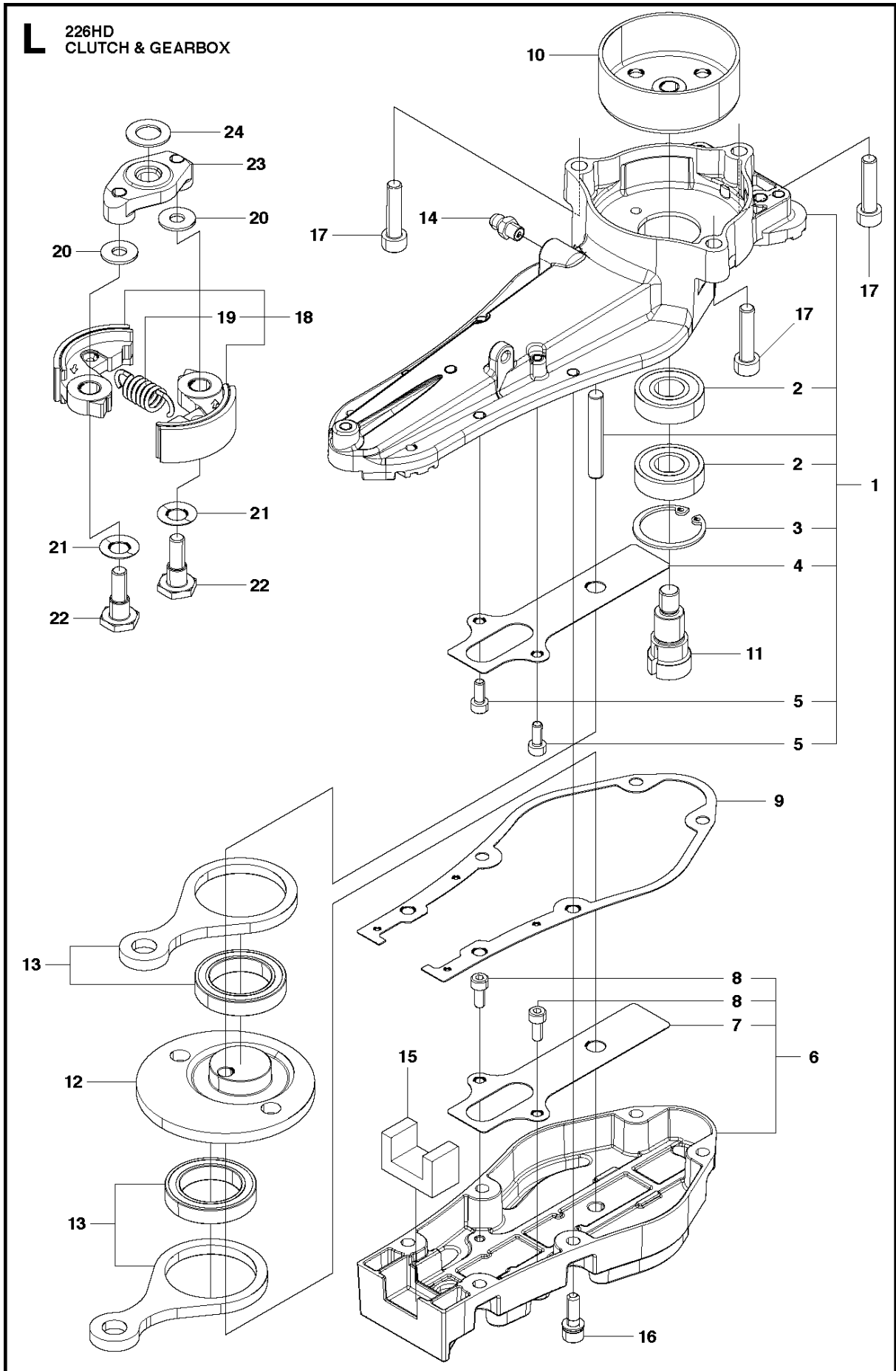
Ref	Part No	Description	Remark	QTY	KIT
1	586 43 44-01	CARBURETTOR		1	
2	528 07 01-01	REBUILD KIT		1	1
3	502 23 84-01	CARBURETTOR BODY		1	1, 2
4	515 37 87-01	GASKET KIT		1	1, 2
5	506 74 09-01	BODY		1	1
6	506 74 10-01	COVER		1	1
7	505 30 67-01	PUMP		1	1
8	506 73 86-01	RING		1	1
9	506 74 12-01	SWIVEL		1	1
10	505 30 79-01	SCREW		2	1
11	506 74 60-01	BRACKET		1	1
12	506 61 26-01	NUT		1	1
13	505 30 82-01	SCREW-CABLE-ADJ		1	1
14	506 74 11-01	SCREW		4	1
15	506 74 61-01	WASHER		1	1
16	505 30 83-01	SCREW		1	1



CARBURETOR & AIR FILTER

226HD60S EUII, 2014-04 (only valid for 967 27 98-01)

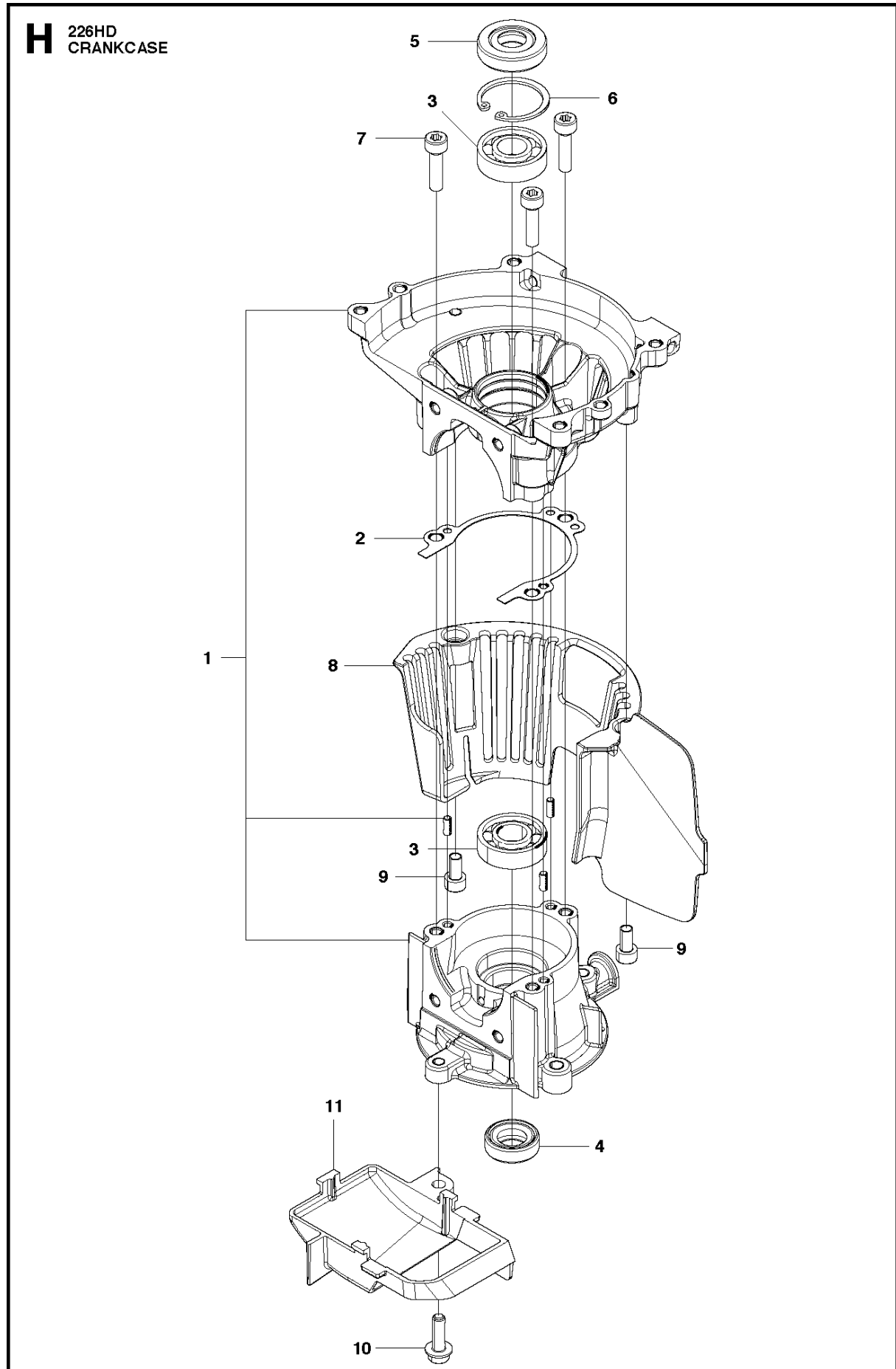
Ref	Part No	Description	Remark	QTY	KIT
1	511 35 92-01	BODY&SCREEN		1	
2	506 68 43-01	PLATE.CHOKE		1	1
3	521 76 05-01	LEVER CHOKE		1	1
4	581 73 62-01	SCREW		1	1
5	521 75 13-01	PACKING		1	1
6	521 60 79-01	SCREEN		1	1
7	581 73 62-01	SCREW		1	1
8	523 09 00-01	FILTER		1	
9	523 07 11-01	FILTER		1	
10	523 07 12-01	COVER		1	
11	523 07 13-01	KNOB		1	10
12	574 29 97-01	LABEL		1	
13	523 07 14-01	LABEL	US only	1	
14	511 34 97-01	INSULATOR		1	
15	511 35 00-01	GASKET.INSU		1	
16	521 75 50-01	GASKET		1	
17	506 68 90-01	BOLT		4	
18	504 11 65-01	SCREW		2	
19	506 74 15-01	CLIP		1	
20	506 74 42-01	COVER		1	
21	586 43 44-01	CARBURETTOR		1	



CLUTCH & OIL PUMP

226HD60S EUII, 2014-04 (only valid for 967 27 98-01)

Ref	Part No	Description	Remark	QTY	KIT
1	586 93 71-01	GEAR CASE		1	
2	529 26 98-01	BEARING		2	1
3	506 60 99-01	RING		1	1
4	506 62 69-01	PLATE		1	1
5	506 68 88-01	BOLT		2	1
6	586 93 72-01	GEAR CASE		1	
7	506 62 69-01	PLATE		1	6
8	506 68 88-01	BOLT		2	6
9	506 68 83-01	GASKET		1	
10	506 61 95-01	DRUM		1	
11	506 62 72-01	GEAR		1	
12	506 68 87-01	GEAR		1	
13	586 93 75-01	ROD		2	
14	505 17 15-01	FITTING		1	
15	506 68 89-01	FELT		1	
16	575 70 10-01	SCREW		6	
17	521 51 75-01	BOLT		3	
18	506 62 94-01	CLUTCH		1	
19	506 68 58-01	SPRING		1	18
20	505 05 44-01	WASHER		2	
21	506 61 38-01	WASHER		2	
22	506 65 22-01	BOLT		2	
23	506 65 21-01	PLATE		1	
24	506 61 42-01	WASHER		1	

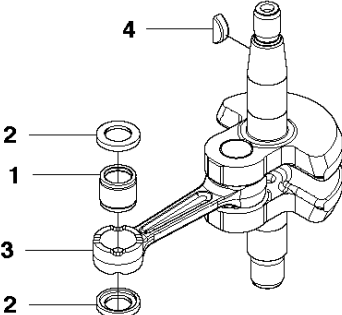


CRANKCASE

226HD60S EUII, 2014-04 (only valid for 967 27 98-01)

Ref	Part No	Description	Remark	QTY KIT
1	506 63 84-01	CRANKCASE		1
2	506 68 48-01	GASKET		1
3	506 61 03-01	BEARING		2
4	504 12 15-01	SEALING		1
5	506 61 29-01	SEAL		1
6	506 60 99-01	RING		1
7	504 11 43-01	SCREW		3
8	506 62 96-01	PLATE		1
9	504 11 96-01	SCREW		2
10	506 74 56-01	BOLT		1
11	506 65 71-01	DEFLECTOR		1

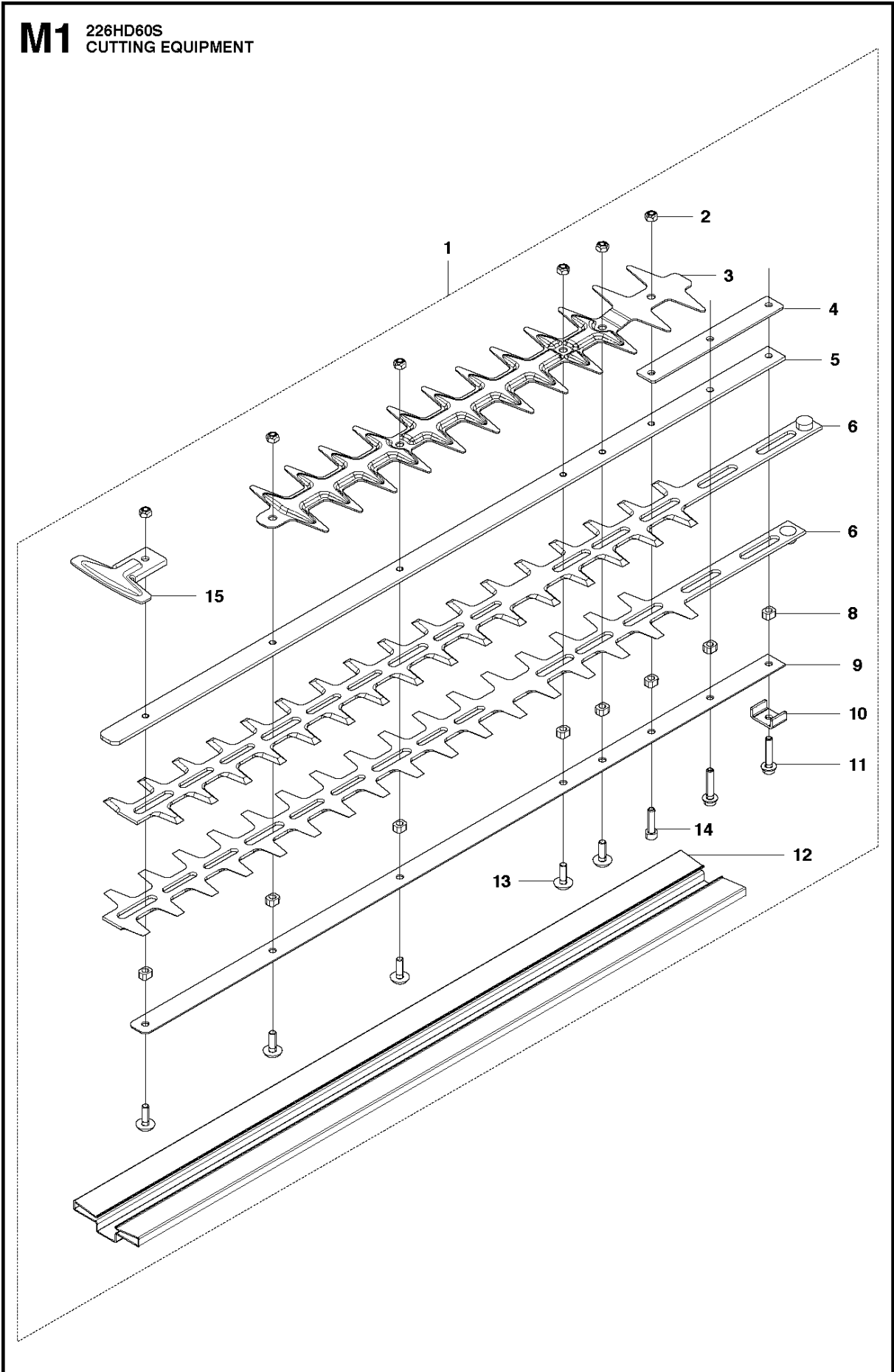
J 226HD
CRANK SHAFT



CRANKSHAFT

226HD60S EUII, 2014-04 (only valid for 967 27 98-01)

Ref	Part No	Description	Remark	QTY KIT
1	506 68 50-01	BEARING		1
2	505 04 10-01	WASHER		2
3	506 65 18-01	CRANKSHAFT		1
4	506 68 94-01	KEY		1

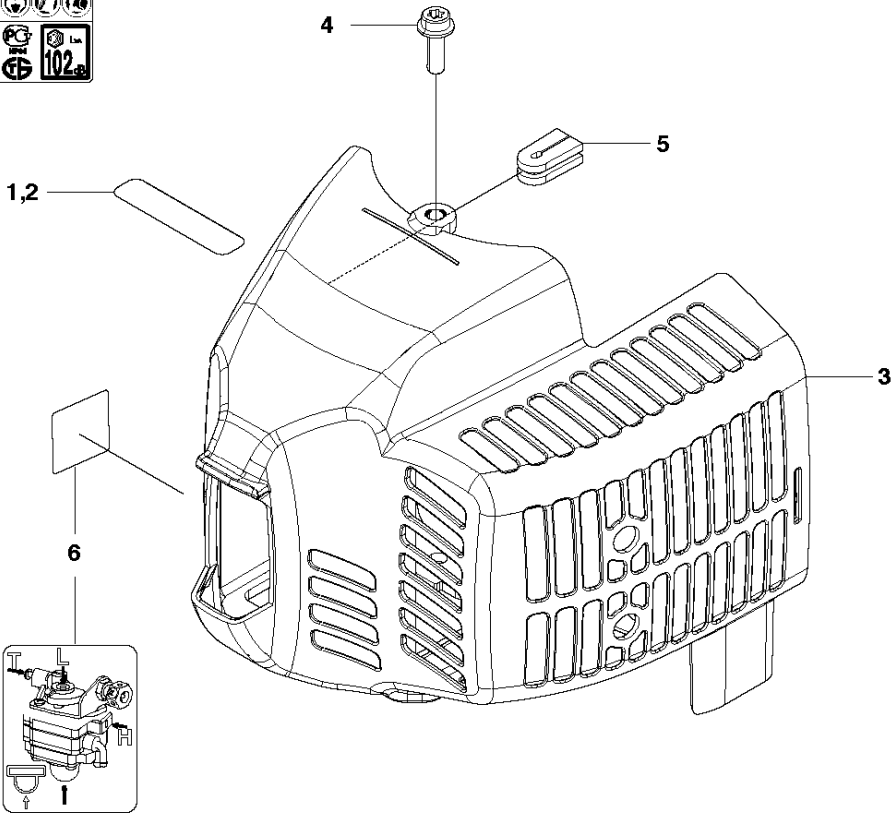
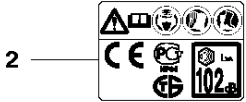


CUTTING EQUIPMENT

226HD60S EUII, 2014-04 (only valid for 967 27 98-01)

Ref	Part No	Description	Remark	QTY KIT	
1	586 38 89-01	BLADE		1	
2	506 68 78-01	NUT		6	1
3	521 59 47-01	BLADE-GUARD		1	1
4	506 68 82-01	PLATE		1	1
5	512 84 06-01	PLATE.UPPER		1	1
6	586 38 90-01	BLADE		2	1
8	506 68 76-01	SPACER		8	1
9	521 85 88-01	PLATE		1	1
10	506 62 74-01	BRACKET		1	1
11	574 61 01-01	BOLT		2	1
12	577 64 44-03	BLADE COVER		1	1
13	574 61 00-01	BOLT		5	1
14	504 11 43-01	SCREW		1	1
15	577 54 18-01	COVER		1	1

B 226HD
CYLINDER COVER

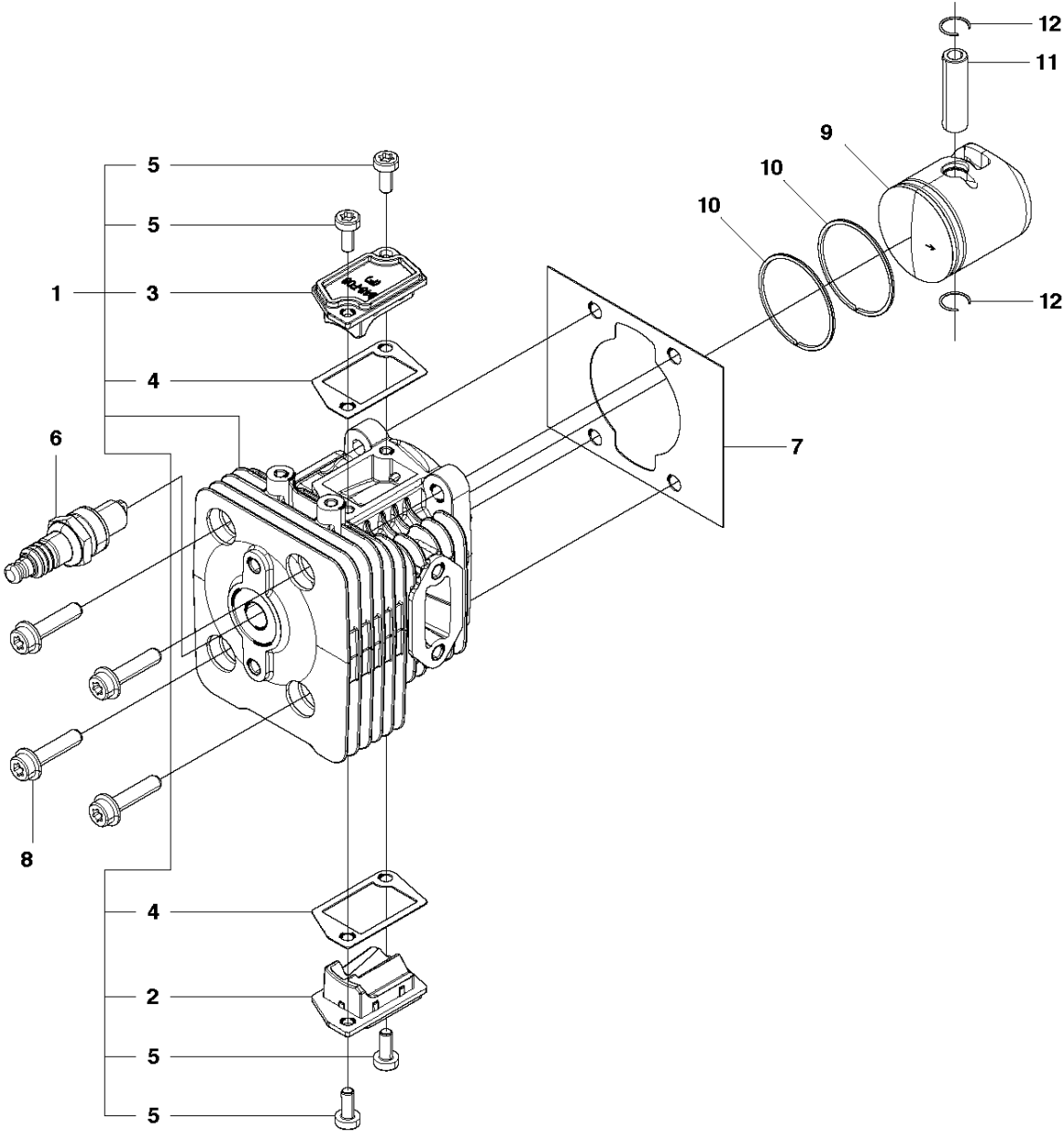


CYLINDER COVER

226HD60S EUII, 2014-04 (only valid for 967 27 98-01)

Ref	Part No	Description	Remark	QTY KIT
1	506 62 93-01	LABEL .WARNING	US only	1
2	527 88 78-01	LABEL,CAUTION(CE)	EU only	1
3	506 65 70-01	COVER		1
4	506 74 56-01	BOLT		1
5	506 61 59-01	GROMMET		1
6	587 02 78-01	DECAL		1

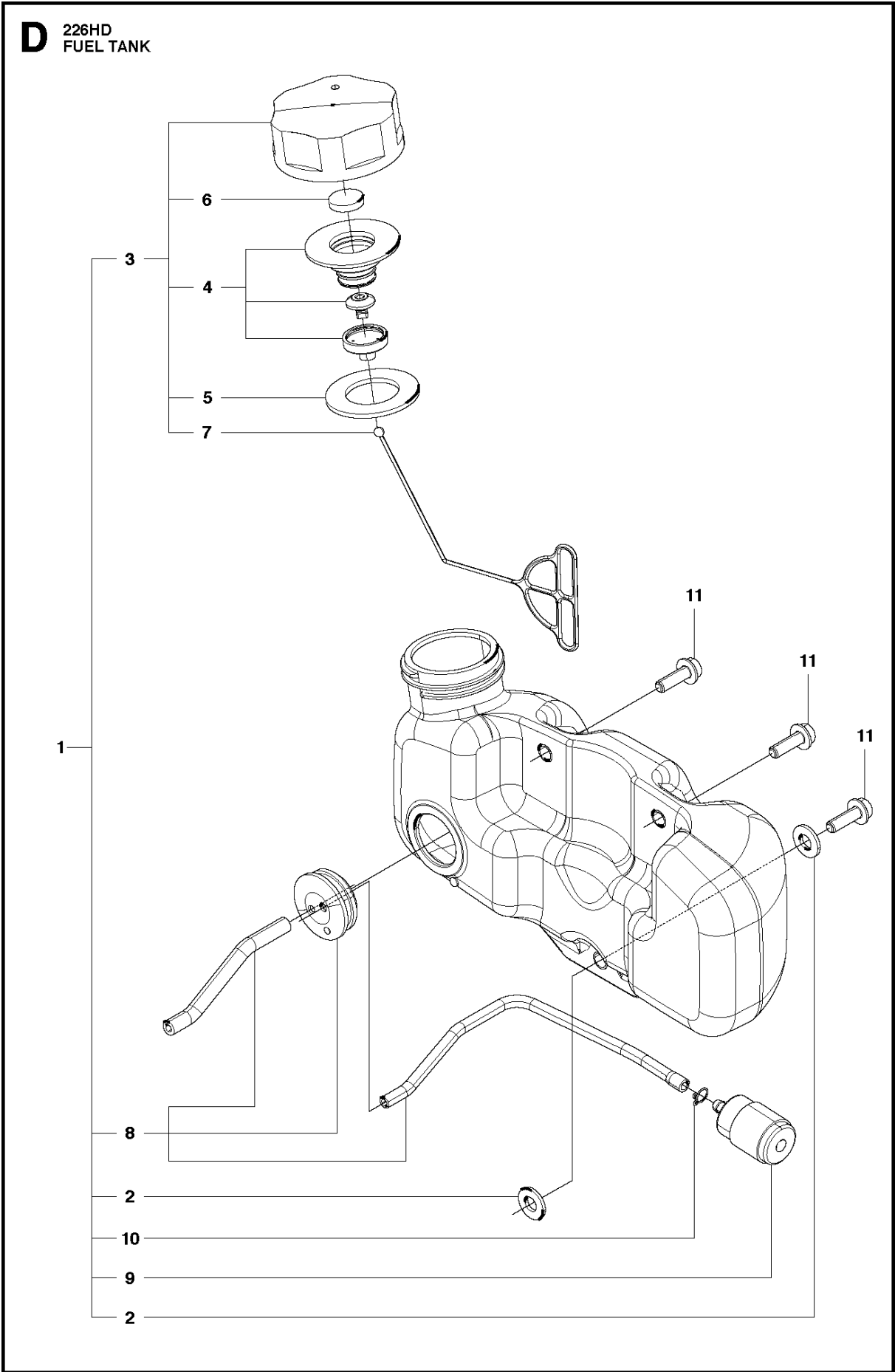
G 226HD
CYLINDER & PISTON



CYLINDER, PISTON & MUFFLER

226HD60S EUII, 2014-04 (only valid for 967 27 98-01)

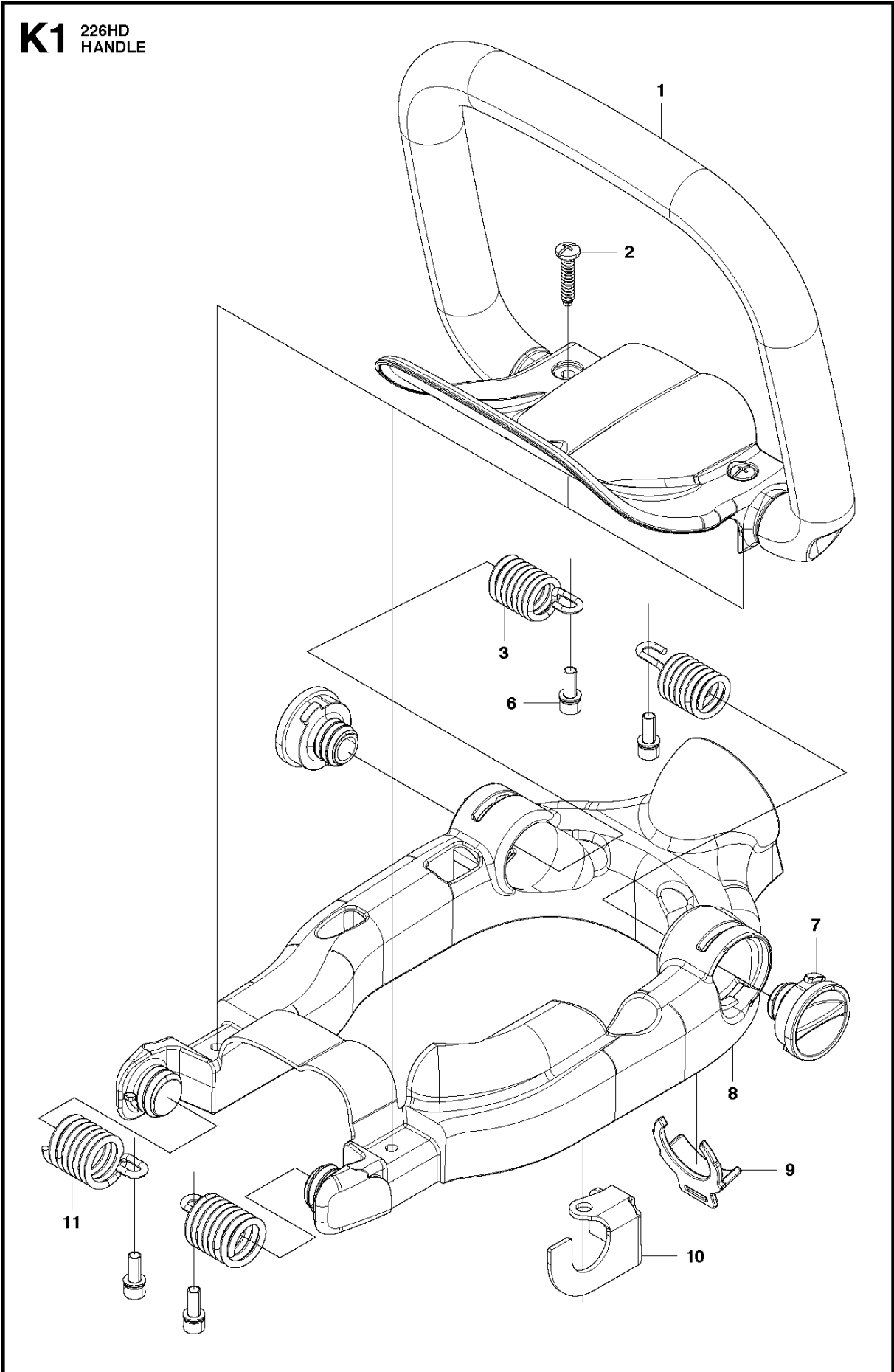
Ref	Part No	Description	Remark	QTY	KIT
1	528 05 21-01	CYLINDER-C		1	
2	506 65 41-02	COVER		1	1
3	506 65 42-02	COVER		1	1
4	506 65 43-01	GASKET		2	1
5	504 11 92-01	SCREW		4	1
6	528 07 40-01	SPARKPLUG		1	
7	506 62 97-01	GASKET		1	
8	506 74 52-01	BOLT		4	
9	528 05 23-01	PISTON		1	
10	506 61 81-01	RING		2	
11	505 04 07-01	PIN		1	
12	505 04 52-01	RING		2	



FUEL TANK

226HD60S EUII, 2014-04 (only valid for 967 27 98-01)

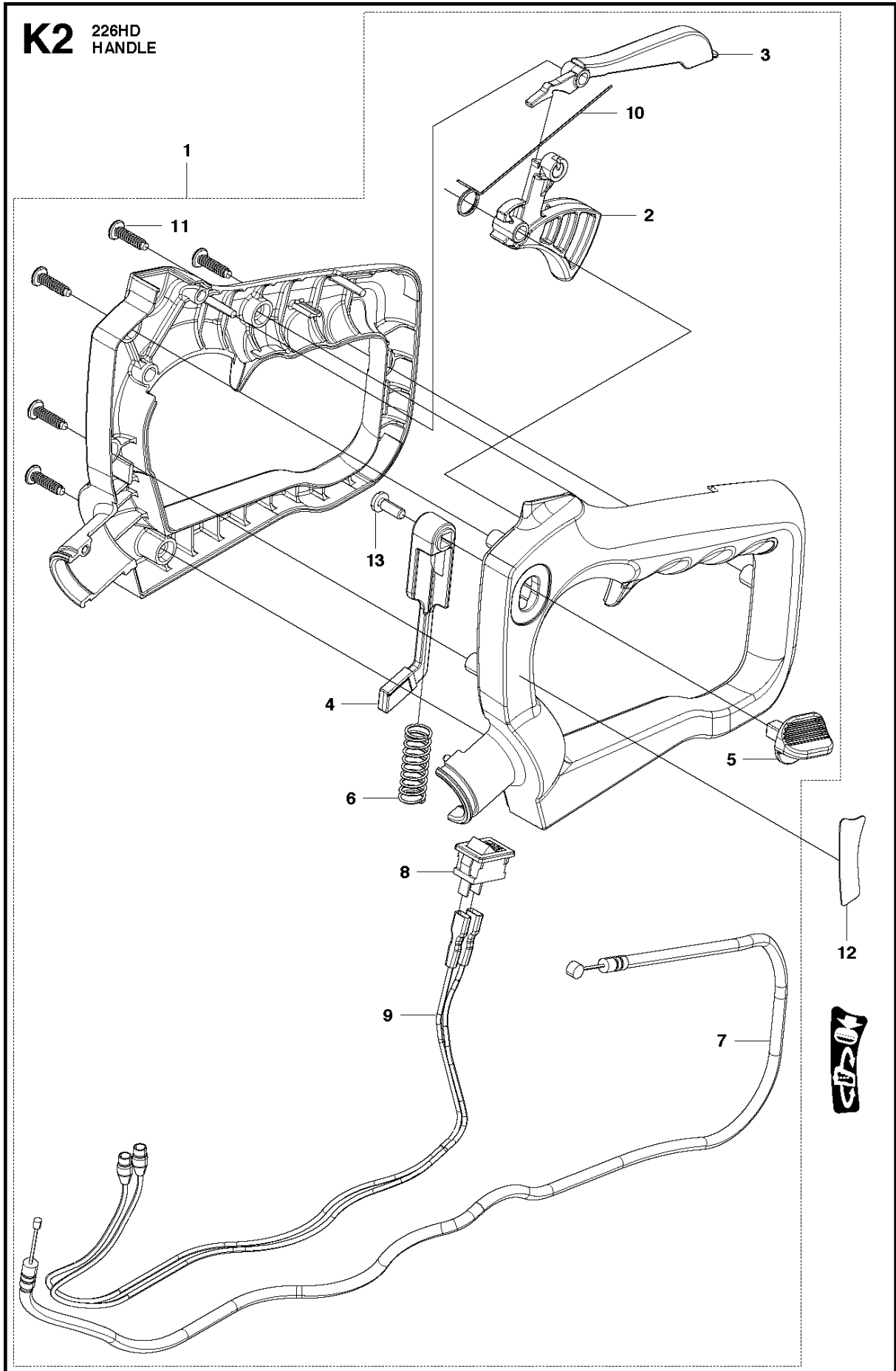
Ref	Part No	Description	Remark	QTY	KIT
1	525 24 60-01	TANK ASSY	EU only	1	
2	506 68 41-01	PACKING		2	1
3	505 30 96-01	CAP-A		1	1
4	515 36 94-01	HOLDER-A		1	1, 3
5	506 74 43-01	PACKING		1	1, 3
6	506 74 68-01	FILTER		1	1, 3
7	506 74 58-01	STOPPER		1	1, 3
8	506 65 31-01	PIPE-C	EU only	1	1
8	579 13 83-01	HOSE ASSY	US ONLY	1	
9	506 61 46-01	FILTER		1	1
10	506 70 70-01	CLIP		1	1
11	506 74 56-01	BOLT		3	



HANDLE

226HD60S EUII, 2014-04 (only valid for 967 27 98-01)

Ref	Part No	Description	Remark	QTY KIT
1	523 07 21-01	HANDLE		1
2	513 58 61-01	SCREW		2
3	521 59 39-01	SPRING R		2
6	521 51 61-01	BOLT		4
7	521 85 12-01	HOLDER		2
8	523 07 22-01	FRAME		1
9	521 85 09-01	STOPPER		1
10	576 69 53-01	BRACKET		1
11	521 59 38-01	SPRING F		2

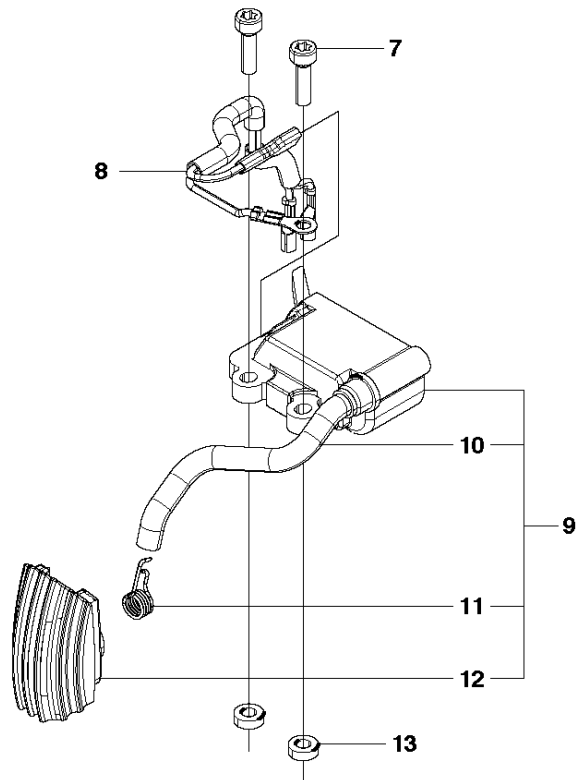
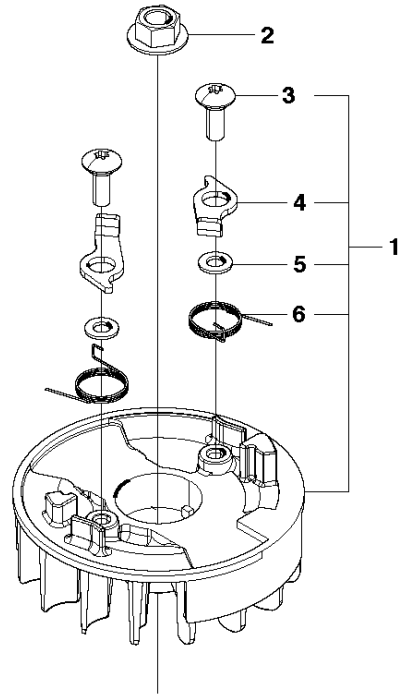


HANDLE

226HD60S EUII, 2014-04 (only valid for 967 27 98-01)

Ref	Part No	Description	Remark	QTY	KIT
1	523 07 23-01	HANDLE		1	
2	523 07 24-01	LEVER		1	1
3	523 07 25-01	ARM		1	1
4	521 85 06-01	LEVER		1	1
5	523 07 27-01	KNOB		1	1
6	521 85 08-01	SPRING		1	1
7	521 52 71-01	CABLE-COMP		1	1
8	521 85 16-01	SWITCH		1	1
9	512 79 80-01	CODE-C		1	1
10	581 21 61-01	SPRING		1	1
11	505 04 70-01	SCREW		5	1
12	521 85 57-01	LABEL		1	
13	506 61 40-01	SCREW		1	1

E 226HD
IGNITION SYSTEM

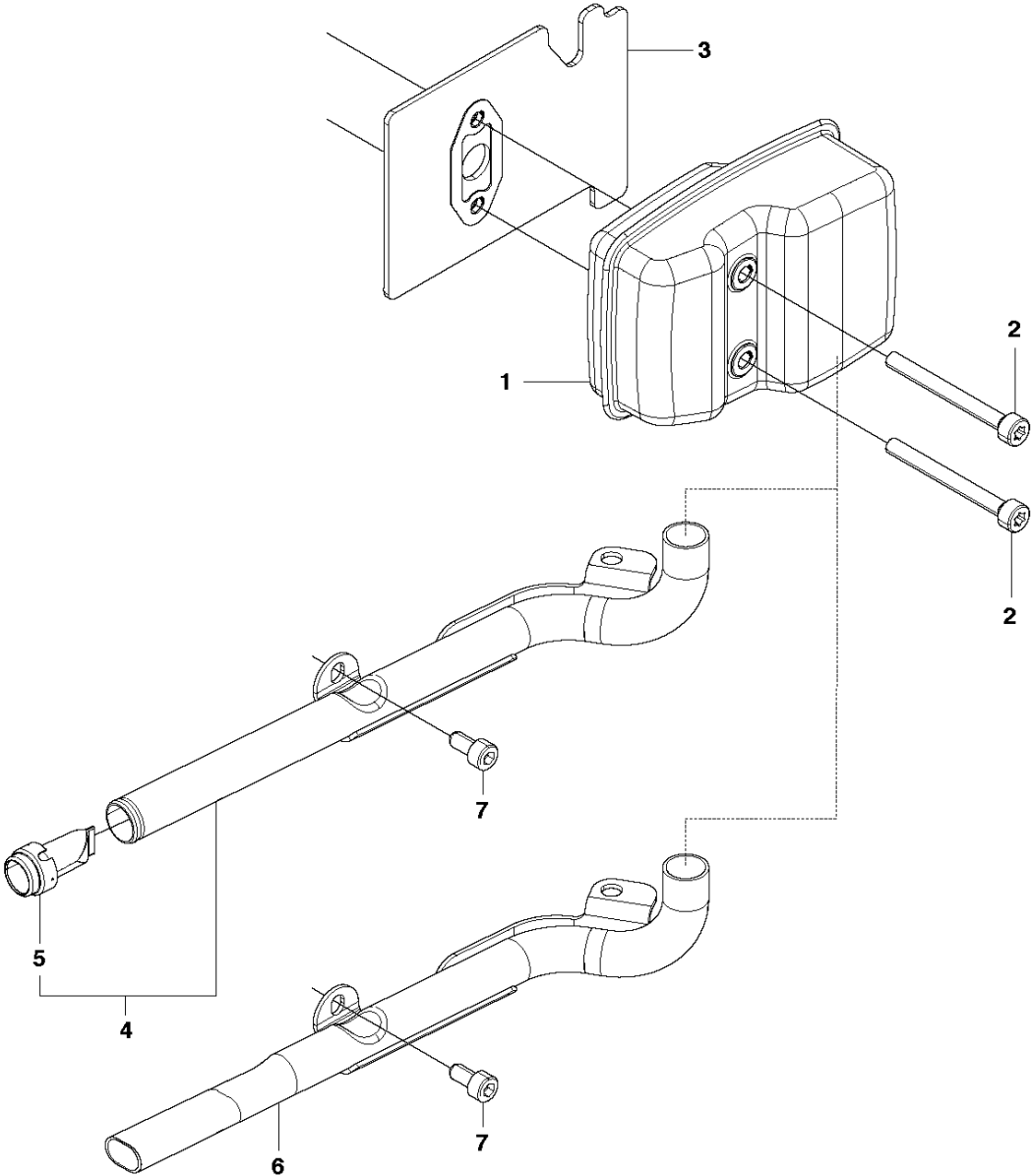


IGNITION SYSTEM

226HD60S EUII, 2014-04 (only valid for 967 27 98-01)

Ref	Part No	Description	Remark	QTY	KIT
1	506 65 60-01	ROTOR-A		1	
2	504 11 80-01	NUT		1	
3	506 61 43-01	SCREW		2	1
4	506 61 41-01	PAWL		2	1
5	506 61 44-01	WASHER		2	1
6	521 74 71-01	SPRING		2	1
7	506 74 57-01	BOLT		2	
8	506 65 23-01	CORD-COMP		1	
9	506 65 61-01	COIL-A		1	
10	511 35 12-01	CORD		1	9
11	506 65 52-01	SPRING		1	9
12	521 61 00-01	HUB CAP		1	9
13	504 11 86-01	SPACER		2	

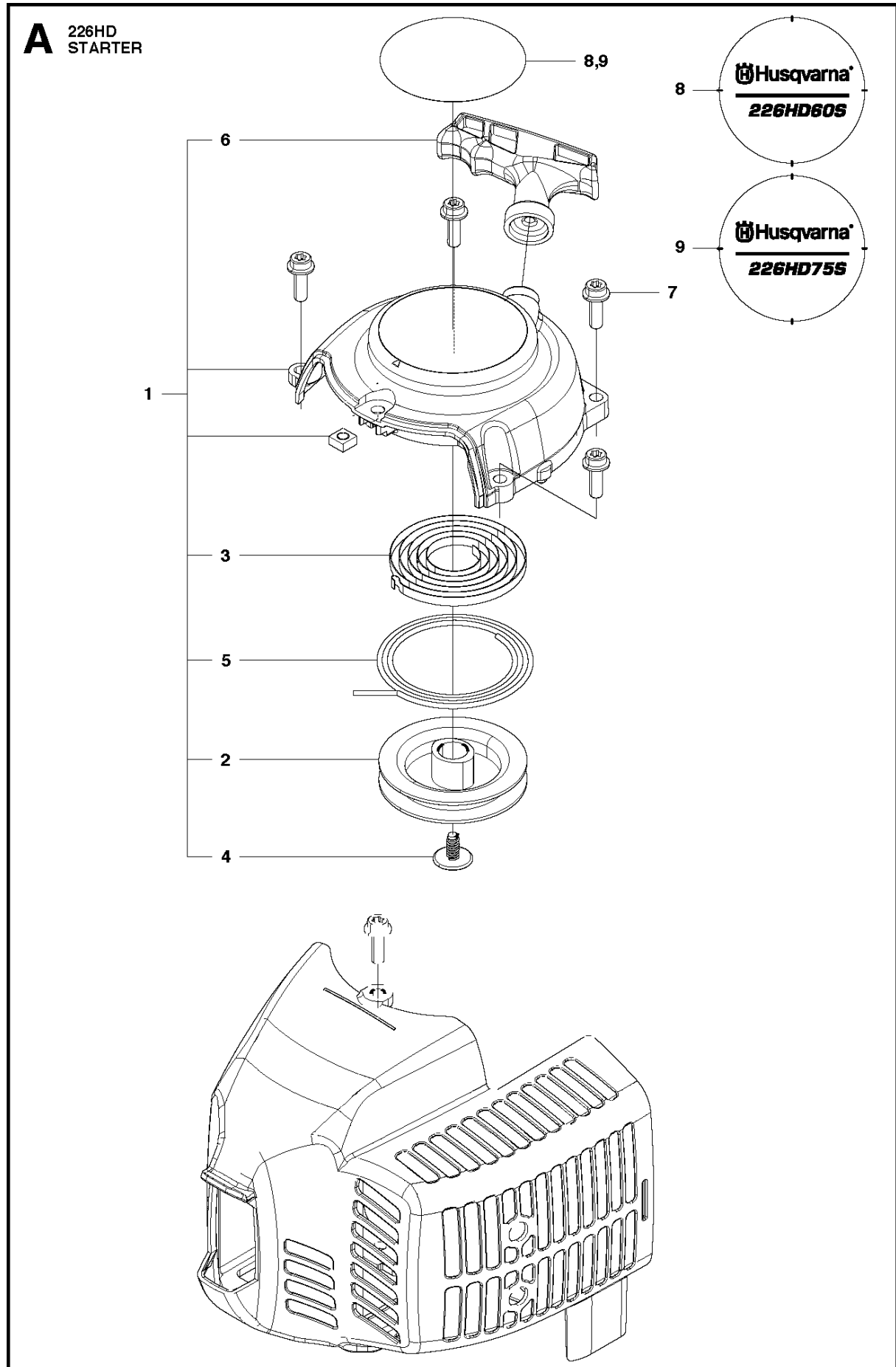
F 226HD
MUFFLER



MUFFLER

226HD60S EUII, 2014-04 (only valid for 967 27 98-01)

Ref	Part No	Description	Remark	QTY	KIT
1	523 07 16-01	MUFFLER		1	
2	504 11 65-01	SCREW		2	
3	506 65 56-01	GASKET		1	
4	523 07 20-01	EXHAUST PIPE	US only	1	
5	506 61 56-01	ARRESTER	US ONLY	1	4
6	521 59 06-01	PIPE	EU only	1	
7	504 11 96-01	SCREW		1	



STARTER

226HD60S EUII, 2014-04 (only valid for 967 27 98-01)

Ref	Part No	Description	Remark	QTY KIT	
1	506 65 72-01	RECOIL ASSY		1	
2	506 68 42-01	REEL		1	1
3	506 67 43-01	SPRING		1	1
4	506 61 30-01	SCREW		1	1
5	506 68 34-01	ROPE		1	1
6	506 61 47-01	KNOB		1	1
7	506 74 56-01	BOLT		4	
8	528 05 13-01	LABEL,RECOIL	226HD60S	1	