

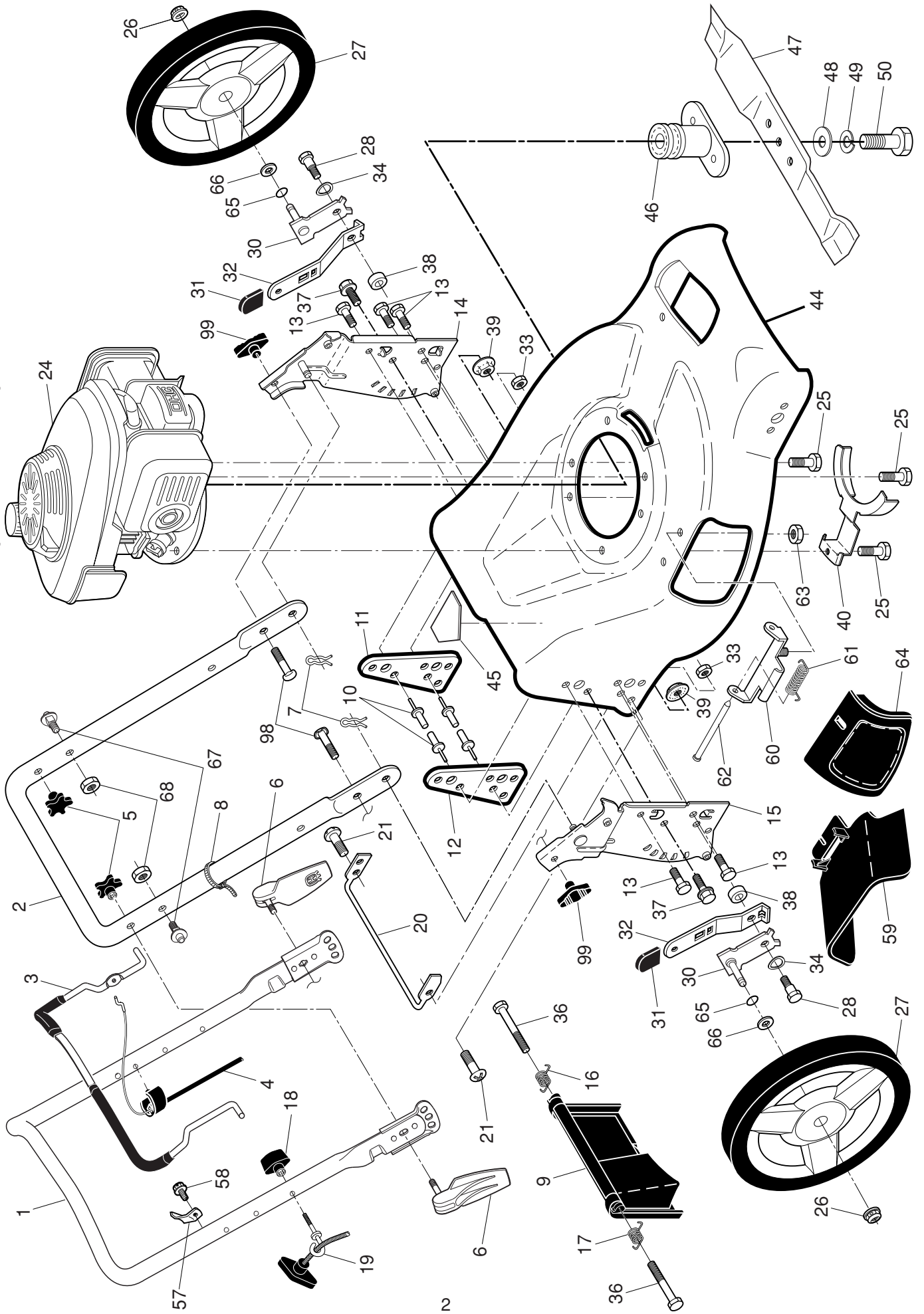
**ILLUSTRATED PARTS LIST**

**MODEL NUMBER LC 153V**

**PRODUCT NUMBER 961 41 02-86**

**MFG. ID. NUMBER 96141028600**

**HUSQVARNA LAWN MOWER - MODEL NUMBER LC 153V (96141028600) PRODUCT NO. 961 41 02-86**

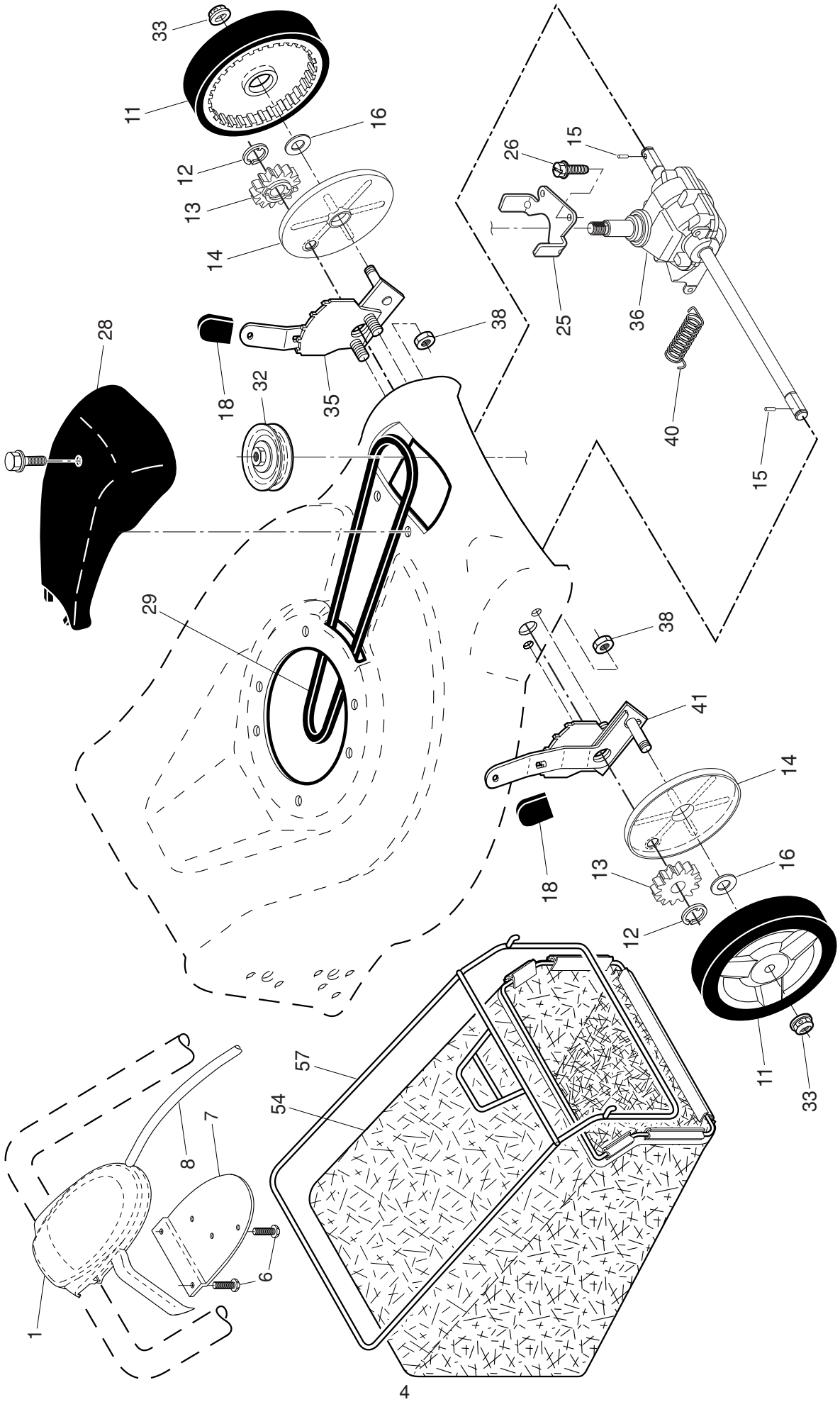


# HUSQVARNA LAWN MOWER - MODEL NUMBER LC 153V (96141028600) PRODUCT NO. 961 41 02-86

KEY NO.	PART NO.	DESCRIPTION	KEY NO.	PART NO.	DESCRIPTION
1	583 84 86-01	Upper Handle	36	532 18 41-93	Bolt
2	532 43 97-19	Lower Handle	37	874 78 05-12	Thread Cutting Screw w/Sems 5/16-18 x 3/4
3	580 84 91-02	Control Bar, Overmolded	38	532 40 16-29	Spacer
4	532 41 53-50	Engine Zone Control Cable	39	532 15 53-77	Nut, Hex, Flanged 5/16-18
5	532 18 23-98	Knob, Handle, Star	40	532 43 50-59	Belt Keeper
6	532 43 06-79	Knob, Handle, Quick-Adjust	44	532 40 80-16	Lawn Mower Housing (Includes Key Numbers 10, 11, 12 and 45)
7	532 05 17-93	Hairpin Cotter	45	532 18 21-66	Danger Decal
8	532 06 64-26	Wire Tie	46	532 43 22-79	Blade Adapter / Pulley
9	584 39 60-01	Rear Door Assembly	47	532 19 93-77	Blade 21"
10	532 12 84-15	Pop Rivet	48	532 85 10-74	Hardened Washer
11	532 41 05-40	Support Bracket, LH	49	532 85 02-63	Helical Washer 3/8-24 x 1-3/8 Grade 8
12	532 41 05-42	Support Bracket, RH	50	532 85 10-84	Hex Head Machine Screw 3/8-24 x 1-3/8 Grade 8
13	817 06 04-10	Screw 1/4-20 x 5/8	57	532 43 00-34	Upstop Bracket
14	584 40 22-01	Handle Bracket Assembly, LH	58	532 17 88-48	Screw, Hex Washer Head #10-16 x 5/8
15	584 40 23-01	Handle Bracket Assembly, RH	59	532 18 55-82	Discharge Deflector
16	532 40 54-17	Spring, Rear Door, LH	60	532 17 57-35	Hinge Bracket Assembly
17	532 40 54-18	Spring, Rear Door, RH	61	532 19 30-00	Spring, Hinge
18	581 91 26-01	T-Knob	62	532 17 56-50	Rod, Hinge
19	581 90 21-01	Rope Guide	63	873 80 04-00	Locknut, Hex 1/4-20
20	532 43 61-19	Foot Guard, C.E.	64	532 18 55-76	Mulcher Door
21	817 49 04-16	Screw, Self-Tapping, Hex Head 1/4-20 x 1/2	65	532 19 74-80	O-Ring
24	---	Engine, Honda, Model Number GCV160-AOS3HB (order parts from engine manufacturer)	66	532 08 83-48	Washer, Flat
25	532 15 04-06	Hex Head Thread Rolling Screw 3/8-16 x 1-1/8	67	532 19 92-55	Stud
26	532 40 91-49	Hex Flange Nut	68	532 75 11-53	Nut, Hex
27	580 33 46-01	Wheel & Tire Assembly, Rear, 12"	98	872 25 05-05	Bolt, Carriage
28	532 40 16-38	Shoulder Bolt 5/16-18 x .33	99	532 19 19-38	Knob, Handle, Standard
30	532 41 31-41	Axle Arm Assembly, Rear	--	532 18 21-91	Decal, Warning (not shown)
31	532 70 10-37	Selector Knob	--	115 62 52-20	Operator's Manual, European
32	532 40 98-89	Selector Spring	--	115 62 52-10	Operator's Manual, Scandinavian
33	873 80 05-00	Nut, Hex 5/16-18	--	115 62 52-50	Operator's Manual, East Bloc
34	532 40 16-30	Washer, Curved, Cylindrical	--	115 62 52-40	Operator's Manual, Baltic

**NOTE:** All component dimensions given in U.S. inches. 1 inch = 25.4 mm. **IMPORTANT:** Use only Original Equipment Manufacturer (O.E.M.) replacement parts. Failure to do so could be hazardous, damage your lawn mower and void your warranty.

**HUSQVARNA LAWN MOWER - MODEL NUMBER LC 153V (96141028600) PRODUCT NO. 961 41 02-86**



# HUSQVARNA LAWN MOWER - MODEL NUMBER LC 153V (96141028600) PRODUCT NO. 961 41 02-86

KEY NO.	PART NO.	DESCRIPTION	KEY NO.	PART NO.	DESCRIPTION
1	532 42 56-61	Drive Control Assembly	28	532 43 26-64	Drive Cover Assembly (Includes Mounting Screw and Pushnut)
6	532 18 16-98	Screw	29	532 19 41-49	V-Belt
7	532 40 07-23	Mounting Bracket, Drive Control	32	532 44 32-62	Pulley, Drive
8	532 40 62-59	Cable, Drive Control	33	532 40 91-48	Locknut, Hex
11	532 41 10-81	Wheel & Tire Assembly	35	532 43 84-85	Kit, Wheel Adjuster, LH (Includes Knob and Bearing)
12	812 00 00-58	E-Ring	36	532 40 48-33	Gear Case Assembly, Complete
13	532 40 38-49	Pinion	38	873 80 04-00	Locknut 1/4-20
14	581 84 04-01	Dust Cover	40	532 40 65-58	Spring
15	532 40 48-45	Pawl, Drive	41	532 43 84-86	Kit, Wheel Adjuster, RH (Includes Knob and Bearing)
16	532 06 77-25	Washer 1/2 x 1-1/2 x .134	54	580 95 34-06	Grassbag Assembly
18	532 70 10-37	Selector Knob	57	532 41 19-50	Frame, Grassbag
25	532 43 17-11	Belt Keeper			
26	532 16 34-09	Screw, Hi-Lo Thread #12 x 5/8			

**NOTE:** All component dimensions given in U.S. inches. 1 inch = 25.4 mm. **IMPORTANT:** Use only Original Equipment Manufacturer (O.E.M.) replacement parts. Failure to do so could be hazardous, damage your lawn mower and void your warranty.