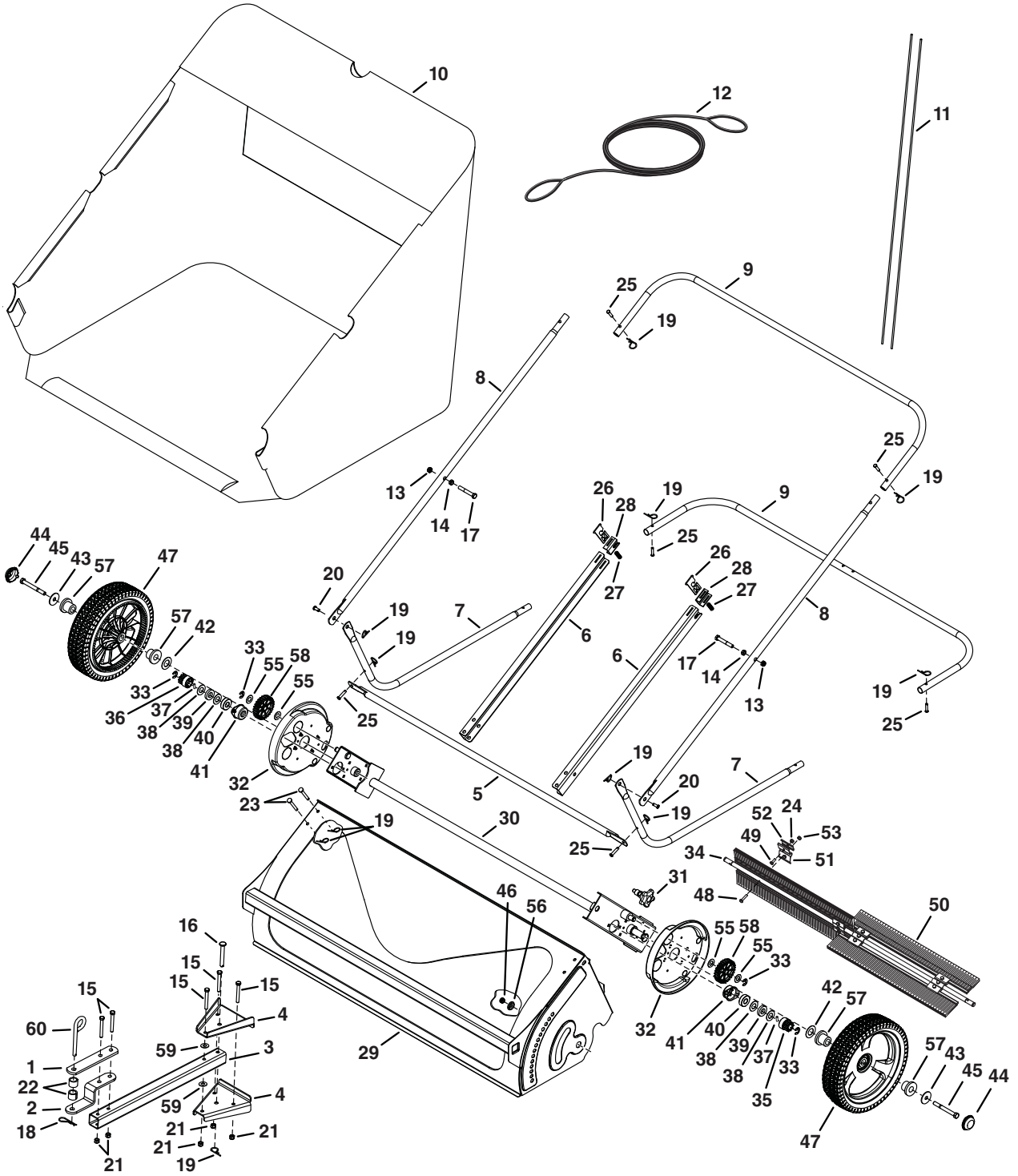


REPAIR PARTS ILLUSTRATION



REPAIR PARTS LIST

EUROPEAN PART NUMBERS:

REF	QTY	PART NO	DESCRIPTION	REF	QTY	PART NO	DESCRIPTION
1	1	522 76 34-01	Straight Hitch Bracket	32	2	581 73 66-01	Dust Cover
2	1	506 62 12-01	Hitch Bracket	33	4	522 65 70-01	Retaining Ring (E Type)
3	1	586 80 32-01	Drawbar	34	1	586 80 40-01	44" Brush Shaft
4	2	586 80 37-01	Drawbar Bracket	35	1	580 74 15-01	Gear, Pinion L.H.
5	1	586 80 51-01	Bag Frame Tube	36	1	580 74 14-01	Gear, Pinion R.H.
6	2	586 80 33-01	Bag Arm Channel	37	2	531 00 76-50	Dowel Pin, 1/4 x 3/4"
7	2	586 80 43-01	Lower Hopper Tube	38	4	577 15 86-01	Washer, .656" x 1.25" x .059"
8	2	586 80 54-01	Upper Hopper Tube	39	2	581 73 71-01	Spacer, .660" x 1.250" x .250"
9	2	586 80 58-01	Rear Hopper Tube	40	2	531 00 28-17	Ball Bearing
10	1	586 80 62-01	Hopper Bag	41	2	581 73 72-01	Retainer, Bearing (Plastic)
11	2	586 80 55-01	Hopper Support Rod	42	2	531 00 27-41	Washer, .78" x 1.125" x .025"
12	1	586 85 70-01	Rope	43	2	522 76 08-01	Washer, .378" x 1.25" x .061"
13	2	586 80 53-01	Hex Nut, 3/8-16 Jam Nylock	44	2	581 73 75-01	Hub Cap
14	2	586 80 78-01	Hex Nut, 3/8-16 Jam	45	2	506 62 33-01	Hex Bolt, 3/8-24 x 3-1/2"
15	5	580 74 25-01	Hex Bolt, 5/16-18 x 2-1/2"	46	2	522 76 09-01	Nylock Jam Nut, 3/8-24
16	1	531 00 81-18	Clevis Pin, 3/8" x 3"	47	2	586 80 44-01	Wheel
17	2	531 00 81-14	Hex Bolt, 3/8-16" x 2-1/2"	48	4	586 85 73-01	Socket Screw, #10-32 x 1"
18	1	721 68 02-51	Hairpin Cotter, 3/32" x 2-5/16"	49	8	522 75 44-01	Hex Bolt, 1/4-20 x 3/4"
19	13	531 00 28-43	Hairpin Cotter, 3/32" x 1.8"	50	4	531 00 28-19	Sweeper Brush
20	2	531 00 76-85	Clevis Pin, 3/8-16" x 1/2"	51	4	506 62 06-01	Brush Retainer (Double)
21	5	501 02 11-01	Nylock Nut, 5/16-18	52	8	506 62 07-01	Brush Retainer (Single)
22	2	506 62 65-01	Spacer, .76" x 1" x .76"	53	4	531 00 81-65	Nylock Nut, #10-32
23	4	586 80 80-01	Clevis Pin, 3/8" x 2-1/4"	54	4	522 75 61-01	Pop Rivet (Not Shown)
24	8	522 75 44-01	Nylock Nut, 1/4"	55	4	506 62 36-01	Washer, .518" x 1" x .02"
25	6	531 00 76-84	Clevis Pin, 1/4" x 1.11"	56	2	581 73 76-01	Step Spacer, .41" x .75"
26	2	586 80 28-01	Rod Retainer	57	4	531 00 27-40	Wheel Bearing
27	2	586 80 47-01	Compression Spring	58	2	581 73 70-01	Gear, 27 Tooth
28	2	586 80 38-01	Pivot Rod Support Bracket	59	2	501 34 76-01	Washer, 411" x 1" x .03"
29	1	586 80 74-01	Sweeper Housing	60	1	506 62 56-01	Hitch Pin
30	1	586 85 72-01	Height Adjustment Tube		1	41603	Owners Manual
31	1	586 80 42-01	Height Adjustment Knob				