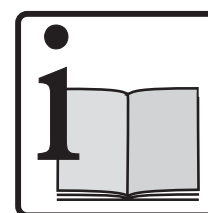


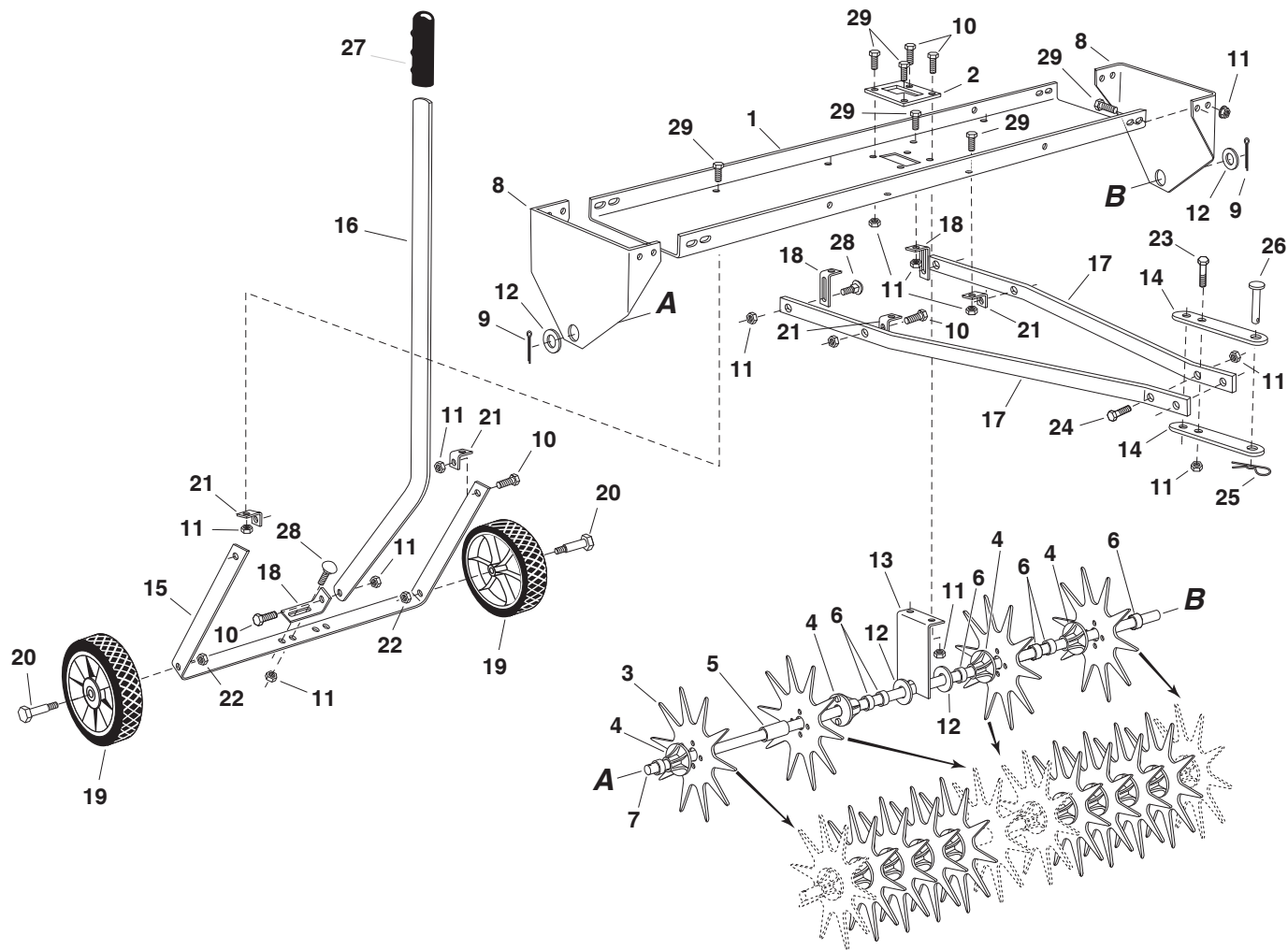
586 63 67-01

Form No. 41591 (I / 24/2014)



Betriebsanleitung	D
Operating Instructions	GB
Notice de montage et d'emploi	FR
Istruzioni per l'uso	IT
Gebruiksaanwijzing	NL
Instrucciones de funcionamiento	ES
Instruções de serviço	PT
Οδηγίες χειρισμού	GR
Driftsvejledning	DK
Driftsanvisning	NO
Bruksanvisning	SE
Käyttöohje	FIN
Návod k obsluze	CZ
Návod na obsluhu	SL

SPIKE AERATOR MODEL 586 63 67-01 REPAIR PARTS

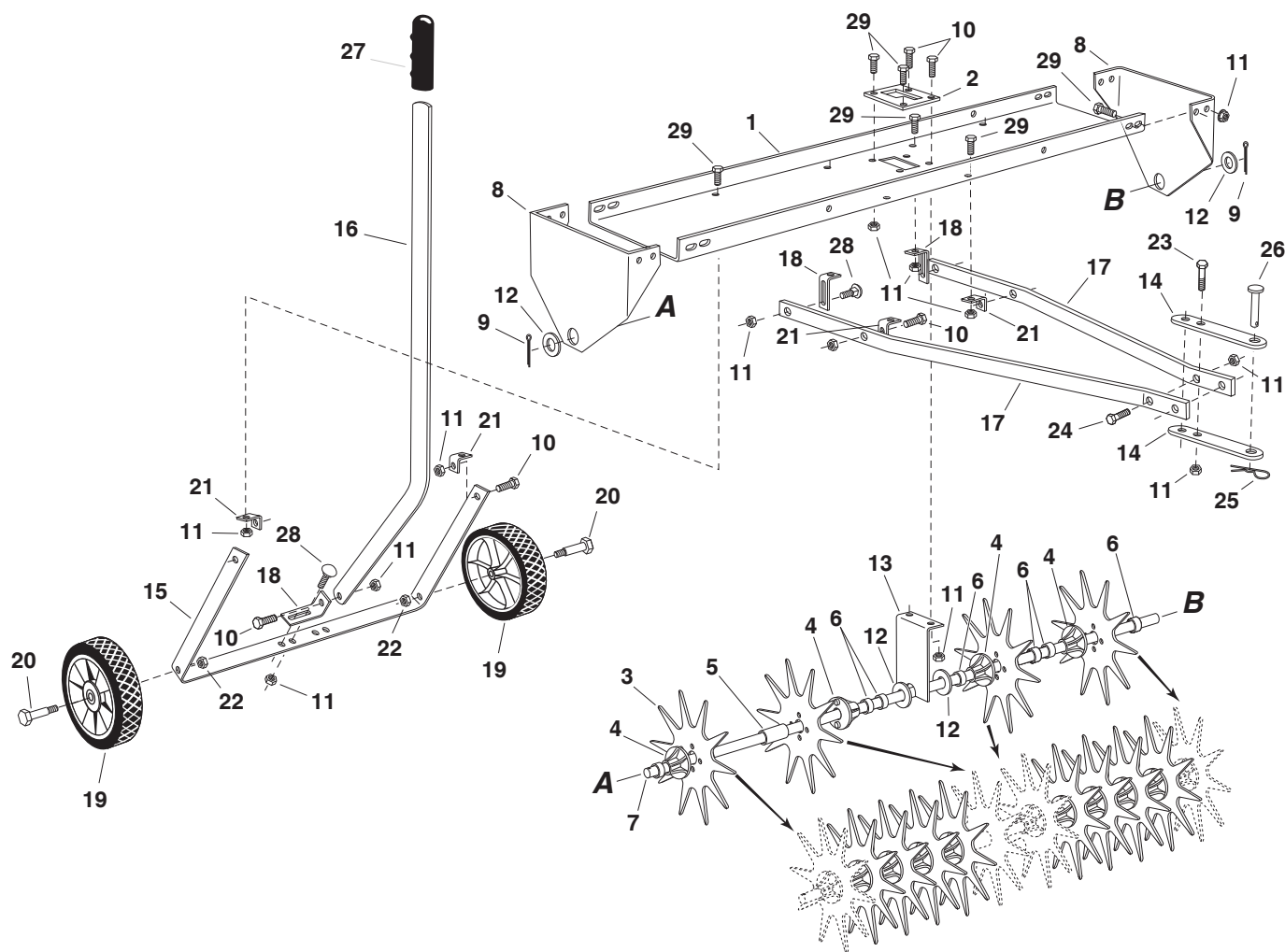


REPAIR PARTS FOR EUROPE

REPAIR PARTS FOR U.S.A. ➔

KEY NO.	PART NO.	QTY.	DESCRIPTION	KEY NO.	PART NO.	QTY.	DESCRIPTION
1	531 00 81-01	1	Tray	16	531 00 81-12	1	Lift Handle
2	531 00 81-02	1	Plate, Lift	17	531 00 46-30	2	Arm, Hitch Mount
3	531 00 81-03	12	Disk, Spike	18	531 00 46-31	3	Bracket, Hitch Arm Mount
4	531 00 76-30	12	Hub, Spike Disk	19	504 06 10-01	2	Wheel
5	504 06 08-01	9	Spacer, 2.13" Long	20	504 06 11-01	2	Bolt, Shoulder
6	504 06 09-01	10	Spacer, 1/2" Long	21	531 00 81-15	4	Bracket, Angle
7	531 00 81-06	1	Axle	22	501 33 27-01	2	Nut, Nylock 3/8-16
8	531 00 81-07	2	End Plate	23	874 76 05-32	2	Bolt, Hex 5/16-18 x 2"
9	531 00 81-08	2	Cotter Pin, 9/64" x 1-1/2"	24	531 00 81-17	2	Bolt, Hex 5/16-18 x 1-1/4"
10	531 00 74-26	7	Bolt, Hex 5/16-18 x 1"	25	721 68 02-51	1	Pin, Hair Cotter
11	501 02 11-01	31	Nut, Nylock 5/16-18	26	531 00 81-18	1	Pin, Hitch 3/8" (Flat Head)
12	531 00 27-01	10	Washer, Flat	27	506 62 64-01	1	Grip
13	531 00 81-10	1	Bracket, Axle Support	28	522 77 02-01	4	Bolt, Carriage 5/16-18 x 1"
14	531 00 46-42	2	Bracket, Hitch	29	522 75 99-01	16	Bolt, Hex 5/16-18 x 3/4"
15	531 00 81-11	1	Bracket, Axle				

SPIKE AERATOR MODEL 586 63 67-01 REPAIR PARTS



REPAIR PARTS FOR U.S.A.

KEY NO.	PART NO.	QTY.	DESCRIPTION	KEY NO.	PART NO.	QTY.	DESCRIPTION
1	24597	1	Tray	16	24596	1	Lift Handle
2	24594	1	Plate, Lift	17	23914	2	Arm, Hitch Mount
3	23900	12	Disk, Spike	18	23442	3	Bracket, Hitch Arm Mount
4	45148	12	Hub, Spike Disk	19	43021	2	Wheel
5	23708	9	Spacer, 2.13" Long	20	43029	2	Bolt, Shoulder
6	46838	10	Spacer, 1/2" Long	21	23826	4	Bracket, Angle
7	24598	1	Axle	22	HA21362	2	Nut, Nylock 3/8-16
8	24599	2	End Plate	23	44180	2	Bolt, Hex 5/16-18 x 2"
9	43501	2	Cotter Pin, 9/64" x 1-1/2"	24	43840	2	Bolt, Hex 5/16-18 x 1-1/4"
10	43063	7	Bolt, Hex 5/16-18 x 1"	25	43343	1	Pin, Hair Cotter
11	47810	31	Nut, Nylock 5/16-18	26	47623	1	Pin, Hitch 3/8" (Flat Head)
12	43009	10	Washer, Flat	27	43943	1	Grip
13	24600	1	Bracket, Axle Support	28	44326	4	Bolt, Carriage 5/16-18 x 1"
14	23981	2	Bracket, Hitch	29	43182	16	Bolt, Hex 5/16-18 x 3/4"
15	24595	1	Bracket, Axle				