

# 308

# 2014

**Spare parts**

**Ersatzteile**

**Pièces détachées**

**Reserve onderdelen**

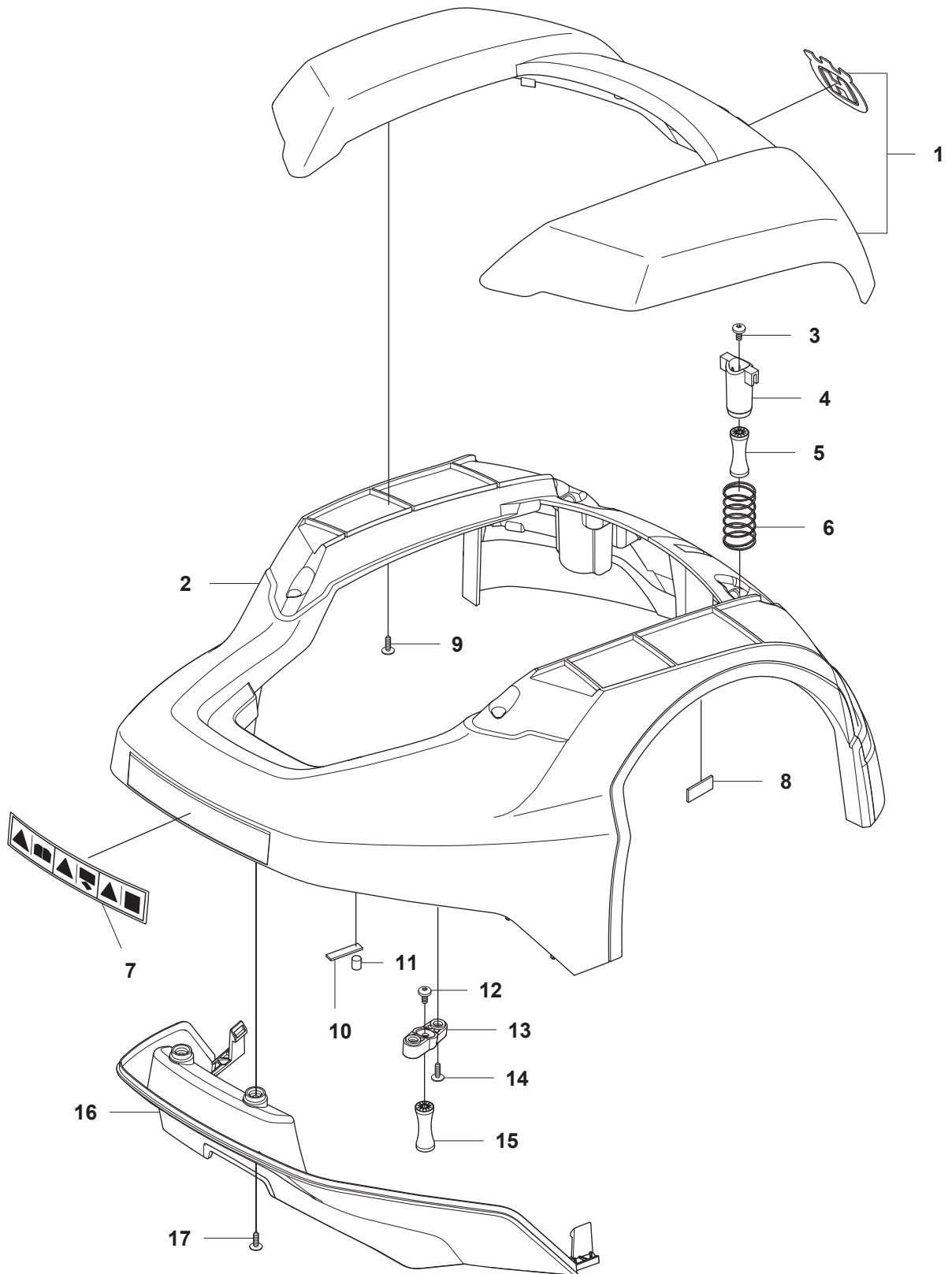
**Repuestos**

**Reservdelar**

---

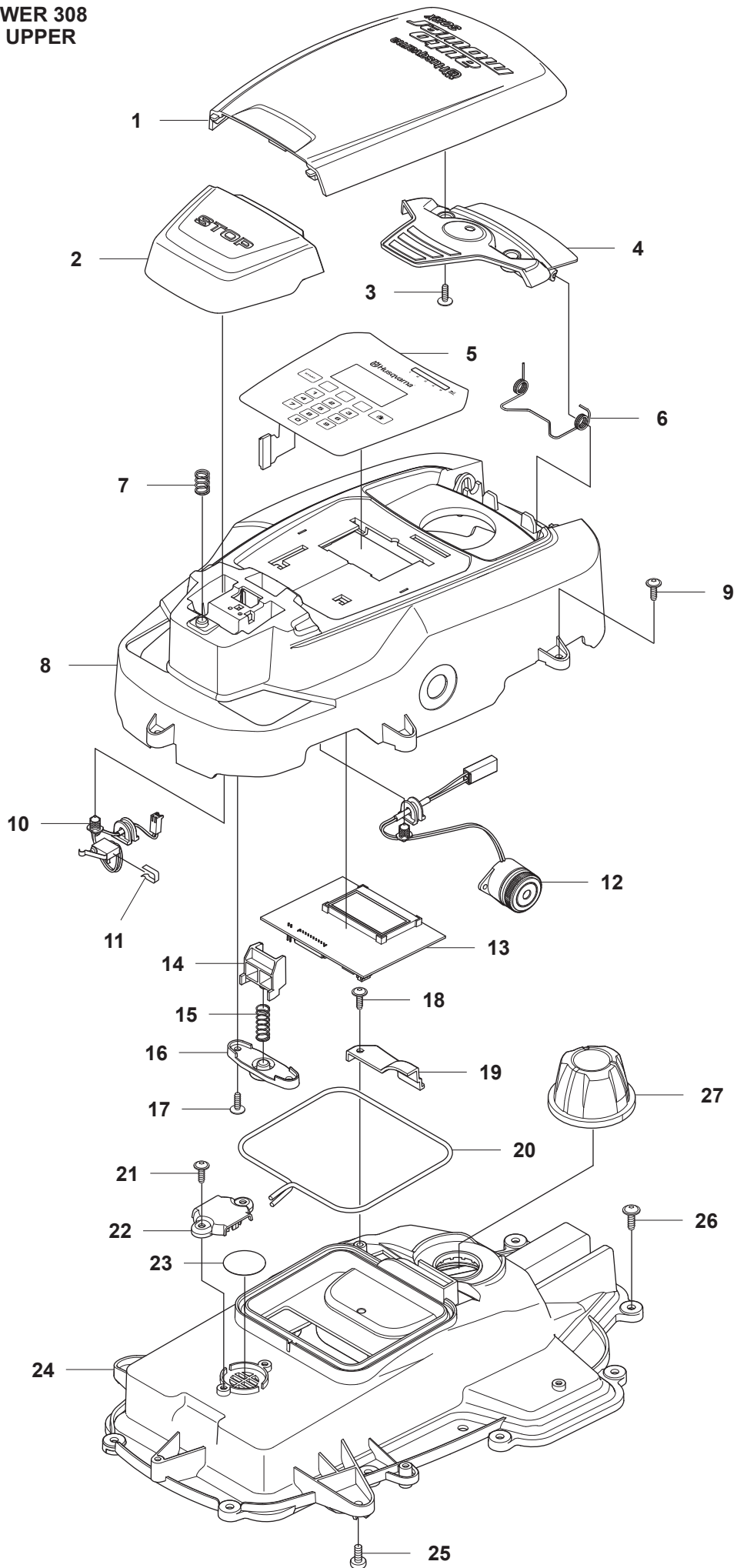
**A** AUTOMOWER 308  
COVER

18



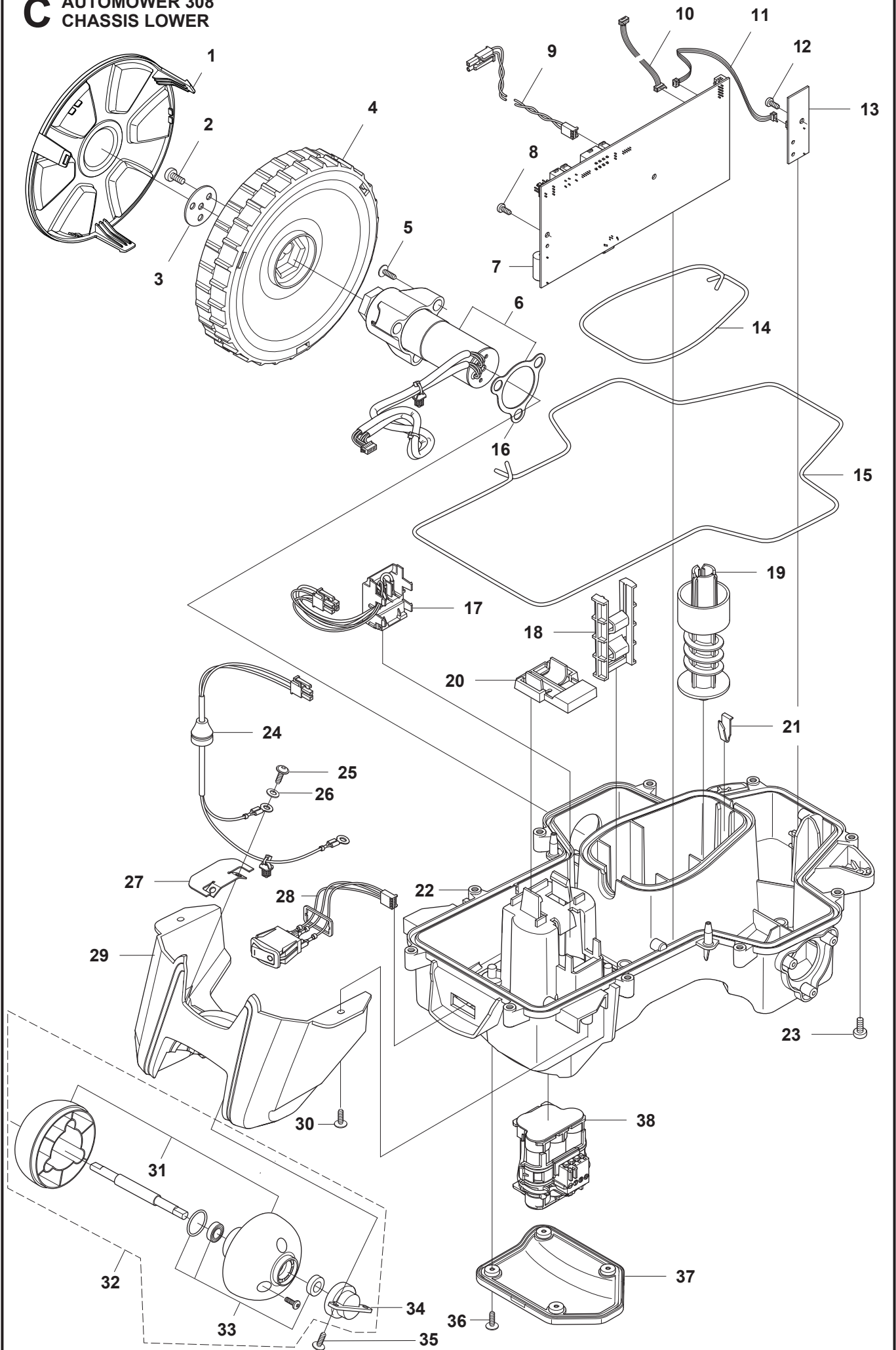
| Position | Article      | Quantity | Notes                     | Kit |
|----------|--------------|----------|---------------------------|-----|
| 1        | 577 73 47-02 | 1        | Bumper front, Grey        |     |
| 2        | 577 74 72-02 | 1        | Main body kit             |     |
| 3        | 576 21 39-01 | 2        | Screw M5x12               |     |
| 4        | 574 46 90-02 | 2        | Bracket, lift sensor      |     |
| 5        | 574 46 91-02 | 2        | Rubber damper             |     |
| 6        | 574 48 51-02 | 2        | Spring, lift sensor       |     |
| 7        | 576 24 00-01 | 1        | Warning label             | 3   |
| 8        | 576 18 32-01 | 1        | Magnet, lift sensor       | 3   |
| 9        | 575 54 33-14 | 7        | Screw, grey (14mm)        |     |
| 10       | 576 03 01-01 | 1        | Plate, collision sensor   | 3   |
| 11       | 576 18 33-01 | 1        | Magnet, collision sensor  | 3   |
| 12       | 576 21 39-01 | 2        | Screw M5x12               |     |
| 13       | 575 41 60-02 | 2        | Support clamp             |     |
| 14       | 575 54 33-14 | 4        | Screw, grey (14mm)        |     |
| 15       | 574 46 91-02 | 2        | Rubber damper             |     |
| 16       | 574 46 52-01 | 1        | Bumper, rear              |     |
| 17       | 575 54 33-14 | 2        | Screw, grey (14mm)        |     |
| 18       | 577 95 53-02 | 1        | Cover, Kit Complete, Grey |     |

**B** AUTOMOWER 308  
CHASSIS UPPER



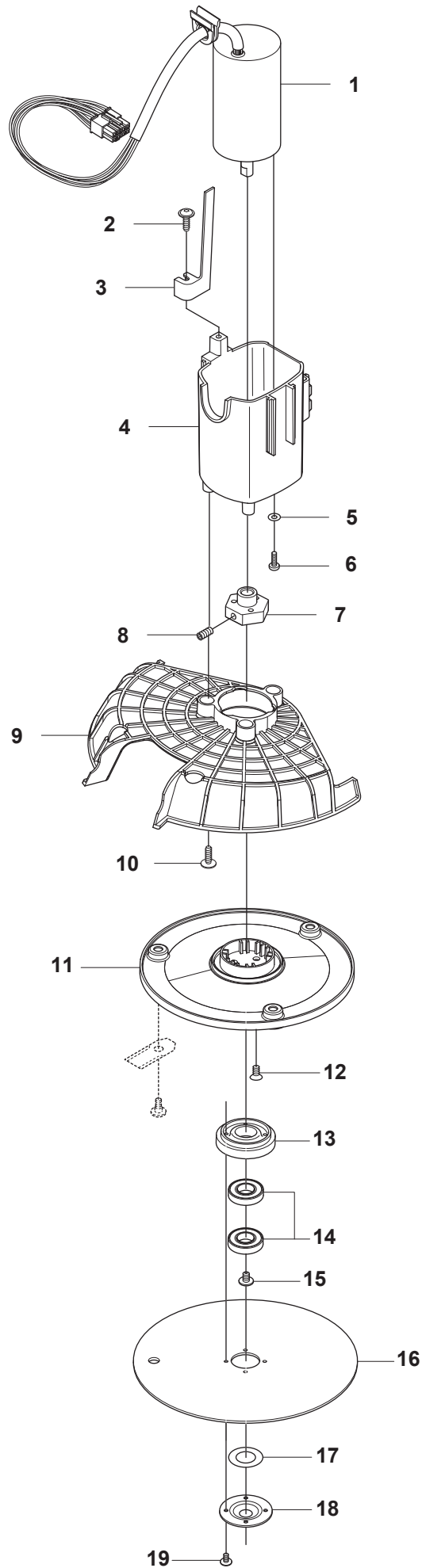
| Position | Article      | Quantity | Notes  | Kit |
|----------|--------------|----------|--|-----|
| 1        | 580 79 29-02 | 1        | Cover, height adjustment, GREY               |     |
| 2        | 574 46 47-01 | 1        | Stop button                                  |     |
| 3        | 575 54 33-14 | 2        | Screw, grey (14mm)                           |     |
| 4        | 574 37 79-01 | 1        | Hinge, height adjustment lid                 |     |
| 5        | 575 77 94-01 | 1        | Keyboard                                     | 8   |
| 6        | 576 24 21-01 | 1        | Spring, height adjustment lid                |     |
| 7        | 574 48 70-01 | 1        | Spring, stop button                          |     |
| 8        | 577 75 28-02 | 1        | Display cover kit incl. sealing & keypad     |     |
| 9        | 575 54 33-14 | 5        | Screw, grey (14mm)                           |     |
| 10       | 574 48 03-01 | 1        | Micro switch, stop button                    |     |
| 11       | 535 08 98-01 | 1        | Clip, stop button                            |     |
| 12       | 574 47 59-01 | 1        | Buzzer, display cover                        |     |
| 13       | 575 64 01-01 | 1        | Display/MMI, circuit board                   |     |
| 14       | 575 40 90-01 | 1        | Lock, stop button                            |     |
| 15       | 576 24 22-01 | 1        | Spring lock, stop button                     |     |
| 16       | 575 41 58-01 | 1        | Spring holder, stop button                   |     |
| 17       | 575 54 33-14 | 2        | Screw, grey (14mm)                           |     |
| 18       | 575 54 33-14 | 1        | Screw, grey (14mm)                           |     |
| 19       | 576 05 39-01 | 1        | Cover, height indicator                      |     |
| 20       | 577 75 36-01 | 1        | Sealing strip kit (10 pcs, Ø4mm)             |     |
| 20       | 574 87 47-04 | 1        | Sealing strip (Ø4mm)                         |     |
| 21       | 575 54 33-14 | 2        | Screw, grey (14mm)                           |     |
| 22       | 576 69 70-01 | 1        | Cover, air filter                            |     |
| 23       | 577 75 37-01 | 1        | Air filter kit (10 pcs)                      |     |
| 24       | 577 75 29-02 | 1        | Chassis upper kit incl. sealing & air filter |     |
| 25       | 576 21 39-01 | 2        | Screw  |     |
| 26       | 574 45 01-01 | 10       | Screw  |     |
| 27       | 579 74 24-01 | 1        | Knob, kit incl. label                        |     |

**C** AUTOMOWER 308  
CHASSIS LOWER



| Position | Article      | Quantity | Notes                                     | Kit |
|----------|--------------|----------|---|-----|
| 1        | 577 70 79-01 | 2        | Hub cap, drive wheel                      |     |
| 2        | 576 21 39-02 | 6        | Screw                                     |     |
| 3        | 577 09 32-01 | 2        | Washer, drive wheel                       |     |
| 4        | 574 46 51-01 | 2        | Wheel, drive wheel                        |     |
| 5        | 575 54 33-14 | 6        | Screw, grey (14mm)                        |     |
| 6        | 577 83 99-04 | 2        | Wheel motor kit incl. Sealing             |     |
| 7        | 581 22 10-01 | 1        | Main circuit board (MCB)                  |     |
| 8        | 535 13 03-10 | 2        | Screw (10mm)                              |     |
| 9        | 576 22 02-01 | 1        | Loom, buzzer extension                    |     |
| 10       | 574 47 92-01 | 1        | Loom, display                             |     |
| 11       | 574 47 90-01 | 1        | Loom, loop and lift sensor                |     |
| 12       | 535 13 03-10 | 1        | Screw (10mm)                              |     |
| 13       | 575 64 09-01 | 1        | PCB sensor board                          |     |
| 14       | 577 75 36-01 | 1        | Sealing strip kit (10 pcs, Ø4mm)          |     |
| 14       | 574 87 47-04 | 1        | Sealing strip (Ø4mm)                      |     |
| 15       | 577 84 36-01 | 1        | Sealing strip kit, chassis (10 pcs, Ø4mm) |     |
| 15       | 574 87 47-03 | 1        | Sealing strip, chassis (Ø4mm)             |     |
| 16       | 574 37 37-01 | 2        | Sealing/gasket, motor flange              | 6   |
| 17       | 574 47 98-01 | 1        | Loom, Li-Ion battery                      |     |
| 18       | 574 50 19-01 | 2        | Guide rail, motor bowl                    |     |
| 19       | 574 48 46-01 | 1        | Height adjustment screw                   |     |
| 20       | 575 40 82-01 | 1        | Lock, battery plug                        |     |
| 21       | 577 10 32-01 | 1        | Locking spring                            |     |
| 22       | 577 84 62-02 | 1        | Chassis lower kit, incl sealing           |     |
| 23       | 576 21 39-01 | 2        | Screw                                     |     |
| 24       | 574 47 77-02 | 1        | Loom, charge plate                        |     |
| 25       | 575 54 33-14 | 2        | Screw, grey (14mm)                        |     |
| 26       | 535 08 74-01 | 2        | Washer, vulcanized fiber                  |     |
| 27       | 574 49 00-01 | 2        | Charge plate                              |     |
| 28       | 579 70 87-01 | 1        | Swith ON/OFF with Seal                    |     |
| 29       | 574 46 72-01 | 1        | Housing, rear wheel                       |     |
| 30       | 575 54 33-14 | 3        | Screw, grey (14mm)                        |     |
| 31       | 583 85 39-01 | 1        | Rear wheel kit                            | 32  |
| 32       | 578 27 51-01 | 1        | Rear wheel kit complete                   |     |
| 33       | 578 27 52-01 | 1        | Bearing (x2), sealing (x2), O-ring (x1)   | 32  |
| 34       | 577 71 50-01 | 2        | Bearing housing, rear wheel               | 32  |
| 35       | 575 54 33-14 | 4        | Screw, grey (14mm)                        |     |
| 36       | 574 45 01-01 | 4        | Screw                                     |     |
| 37       | 574 46 73-01 | 1        | Cover, battery                            |     |
| 38       | 574 47 68-01 | 1        | Battery, Lithium 18V                      |     |

**D** AUTOMOWER 308  
BLADE MOTOR & CUTTING EQUIPMENT

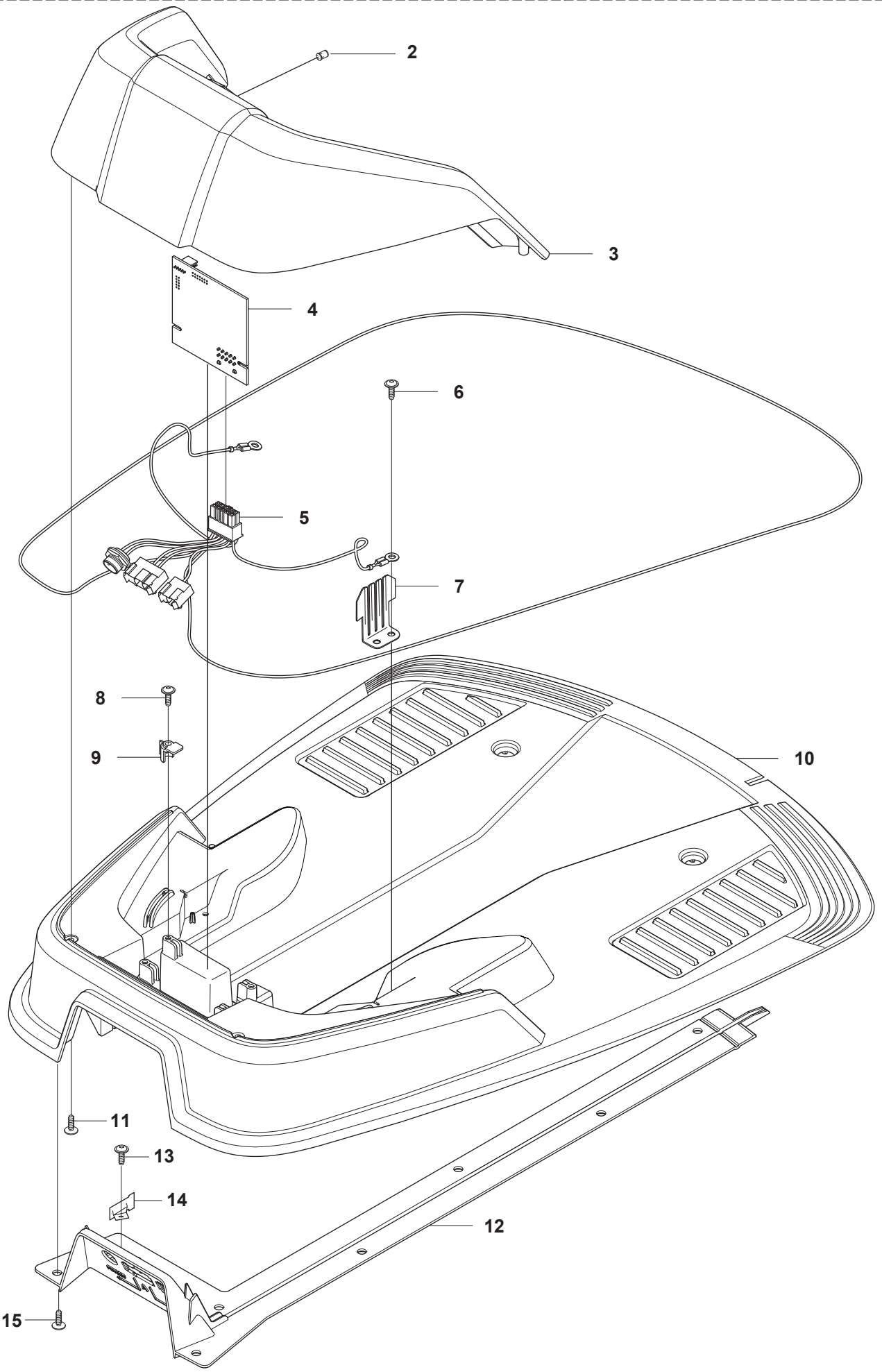




| Position | Article      | Quantity | Notes               | Kit |
|----------|--------------|----------|---------------------|-----|
| 1        | 584 98 93-01 | 1        | Cutting motor       |     |
| 2        | 575 54 33-14 | 1        | Screw, grey (14mm)  |     |
| 3        | 574 50 35-01 | 1        | Height indicator    |     |
| 4        | 581 02 03-01 | 1        | Motor housing       |     |
| 5        | 510 01 95-01 | 3        | Washer, steel       |     |
| 6        | 576 21 38-01 | 3        | Screw M4x12         |     |
| 7        | 580 79 31-01 | 1        | Hub, cutting motor  |     |
| 8        | 576 21 35-01 | 1        | Stop screw          |     |
| 9        | 577 85 02-03 | 1        | Guard, cutting disc |     |
| 10       | 575 54 33-14 | 3        | Screw, grey (14mm)  |     |
| 11       | 580 79 28-01 | 1        | Cutting disc        |     |
| 12       | 535 13 05-01 | 3        | Screw               |     |
| 13       | 535 12 64-01 | 1        | Bearing box         |     |
| 14       | 535 07 57-02 | 2        | Ball bearing        |     |
| 15       | 535 07 60-01 | 1        | Screw               |     |
| 16       | 580 79 27-01 | 1        | Skid plate          |     |
| 17       | 535 08 25-01 | 1        | Gasket              |     |
| 18       | 535 08 15-01 | 1        | Cover washer        |     |
| 19       | 575 54 33-10 | 4        | Screw               |     |

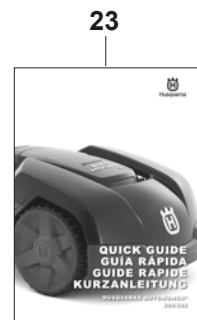
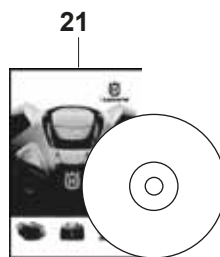
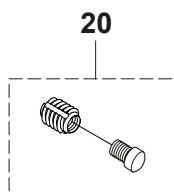
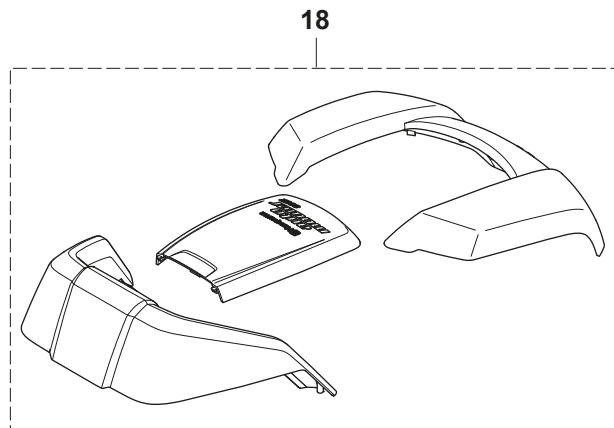
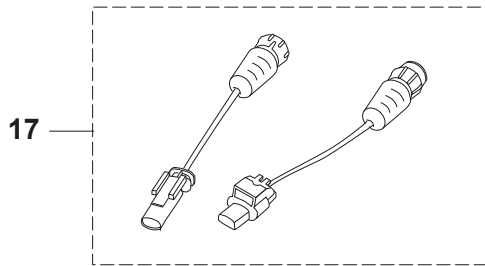
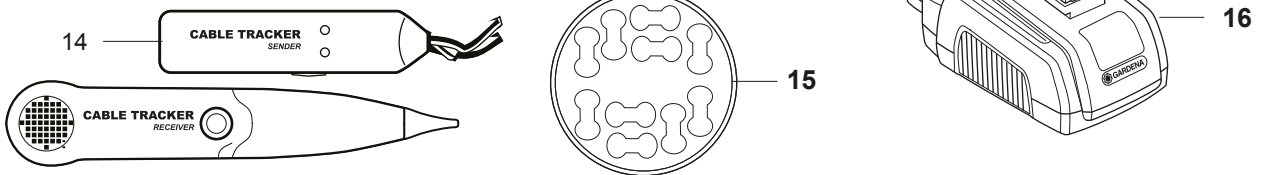
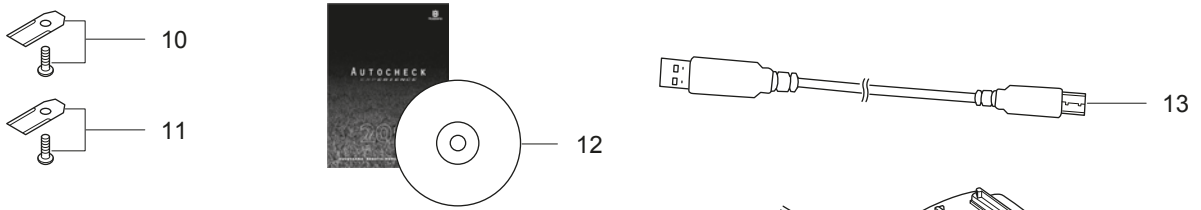
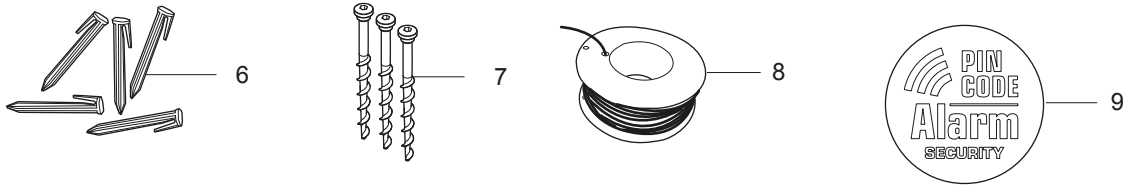
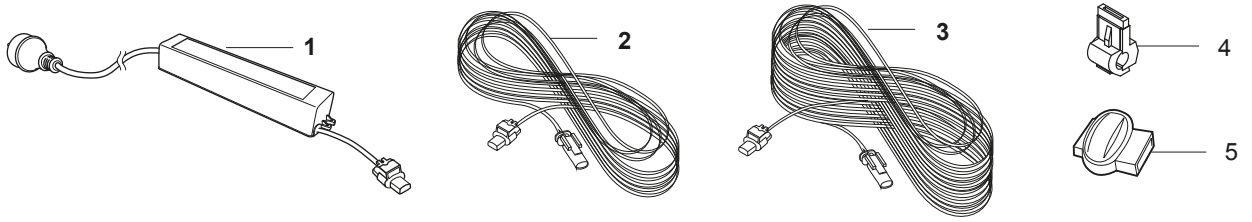
**E** AUTOMOWER 308  
CHARGING STATION

1



| Position | Article      | Quantity | Notes                           | Kit |
|----------|--------------|----------|---------------------------------|-----|
| 1        | 576 63 67-07 | 1        | Charging station compl., GREY   |     |
| 2        | 535 12 87-02 | 1        | Diode lens                      | 1   |
| 3        | 575 70 84-02 | 1        | Charging station cover, Grey    | 1   |
| 4        | 576 24 26-01 | 1        | Circuit board, charging station | 1   |
| 5        | 581 22 59-01 | 1        | Loom, charging station          | 1   |
| 6        | 575 54 33-14 | 2        | Screw, grey (14mm)              | 1   |
| 7        | 575 85 00-01 | 2        | Contacts, charging station      | 1   |
| 8        | 575 54 33-14 | 2        | Screw, grey (14mm)              | 1   |
| 9        | 535 12 79-01 | 2        | Bracket                         | 1   |
| 10       | 581 55 19-01 | 1        | Charging station base plate     | 1   |
| 11       | 575 54 33-14 | 4        | Screw, grey (14mm)              | 1   |
| 12       | 581 01 17-01 | 1        | Guide cover, charging station   | 1   |
| 13       | 575 54 33-14 | 1        | Screw, grey (14mm)              | 1   |
| 14       | 581 01 16-01 | 1        | Bracket connector               | 1   |
| 15       | 575 54 33-14 | 4        | Screw, grey (14mm)              | 1   |

# F AUTOMOWER 308 ACCESSORIES



| Position | Article      | Quantity | Notes   | Kit |
|----------|--------------|----------|---|-----|
| 1        | 581 14 51-01 | 1        | Transformer (EU)                                |     |
| 1        | 581 14 51-02 | 1        | Transformer (UK/IR)                             |     |
| 1        | 581 14 51-03 | 1        | Transformer (CH)                                |     |
| 1        | 581 14 51-05 | 1        | Transformer (AU/NZ)                             |     |
| 2        | 581 16 66-01 | 1        | Transformer cable (10 m)                        |     |
| 3        | 581 16 66-02 | 1        | Transformer cable (20 m)                        |     |
| 4        | 535 12 90-01 | 1        | Loop wire connector                             |     |
| 4        | 577 86 48-01 | 1        | Loop wire connector (5pcs), blister pack        |     |
| 5        | 501 98 02-01 | 1        | Splice kit (1pcs)                               |     |
| 5        | 577 86 47-01 | 1        | Splice kit (5 pcs) blister pack                 |     |
| 5        | 501 98 02-03 | 1        | Splice kit (100pcs)                             |     |
| 6        | 583 97 34-01 | 1        | Staples (100pcs, 85mm)                          |     |
| 6        | 577 86 42-01 | 1        | Staples (100pcs, 105mm), blister pack           |     |
| 7        | 575 23 86-02 | 1        | Anchor screw kit (3pcs)                         |     |
| 7        | 577 86 49-01 | 1        | Anchor screw kit (3pcs), blister pack           |     |
| 8        | 501 98 03-02 | 1        | Loop wire (150m)                                |     |
| 8        | 577 86 43-01 | 1        | Loop wire (150m), blister pack                  |     |
| 8        | 580 66 20-03 | 1        | Loop wire (200m)                                |     |
| 8        | 580 66 20-01 | 1        | Loop wire (250m)                                |     |
| 9        | 579 57 12-01 | 1        | Label, anti-theft                               |     |
| 10       | 535 13 87-02 | 1        | Blades (9pcs), carbon                           |     |
| 10       | 577 86 44-01 | 1        | Blades (9pcs), carbon, blister pack             |     |
| 10       | 535 13 88-02 | 1        | Blades (30pcs), carbon                          |     |
| 10       | 505 12 78-02 | 1        | Blades (500pcs), carbon                         |     |
| 11       | 577 60 64-02 | 1        | Blades (9pcs), carbon, extra thick              |     |
| 11       | 577 86 46-01 | 1        | Blades (9pcs), carbon extra thick, blister pack |     |
| 11       | 577 60 65-02 | 1        | Blades (30pcs), carbon, extra thick             |     |
| 11       | 577 60 66-02 | 1        | Blades (300pcs), carbon, extra thick            |     |
| 12       | 577 85 81-02 | 1        | Autocheck EXP - service program DVD             |     |
| 13       | 577 51 81-01 | 1        | USB service cable, G3 mowers                    |     |
| 14       | 577 60 68-01 | 1        | Loop wire interruption detector                 |     |
| 15       | 586 27 79-01 | 1        | Sticker, Cable markers (10pcs)                  |     |
| 16       | 966 41 01-01 | 1        | Quick charger                                   |     |
| 17       | 586 18 90-01 | 1        | Low voltage cable adapter kit                   |     |
| 18       | 580 96 55-01 | 1        | Body, White upgrade kit                         |     |
| 19       | 580 68 95-02 | 1        | Warranty seal label (1pcs)                      |     |
| 19       | 584 90 22-01 | 1        | Warranty seal label (10pcs)                     |     |
| 20       | 581 16 57-01 | 1        | Metal insert repair kit (4pcs)                  |     |
| 21       | 585 38 53-01 | 1        | DVD Operator's manual                           |     |
| 22       | 115 59 42-01 | 1        | OPERATOR'S MANUAL, Swedish                      |     |
| 22       | 115 59 42-06 | 1        | OPERATOR'S MANUAL, Danish                       |     |
| 22       | 115 59 42-11 | 1        | OPERATOR'S MANUAL, Finnish                      |     |
| 22       | 115 59 42-21 | 1        | OPERATOR'S MANUAL, Norwegian                    |     |
| 22       | 115 59 42-26 | 1        | OPERATOR'S MANUAL, English                      |     |
| 22       | 115 59 42-31 | 1        | OPERATOR'S MANUAL, French                       |     |
| 22       | 115 59 42-32 | 1        | OPERATOR'S MANUAL, CA French                    |     |
| 22       | 115 59 42-36 | 1        | OPERATOR'S MANUAL, Dutch                        |     |
| 22       | 115 59 42-41 | 1        | OPERATOR'S MANUAL, Italian                      |     |
| 22       | 115 59 42-46 | 1        | OPERATOR'S MANUAL, Spanish                      |     |
| 22       | 115 59 42-51 | 1        | OPERATOR'S MANUAL, German                       |     |
| 22       | 115 59 42-56 | 1        | OPERATOR'S MANUAL, Russian                      |     |
| 22       | 115 59 42-58 | 1        | OPERATOR'S MANUAL, Hungarian                    |     |
| 22       | 115 59 42-59 | 1        | OPERATOR'S MANUAL, Portuguese                   |     |
| 22       | 115 59 42-61 | 1        | OPERATOR'S MANUAL, Polish                       |     |
| 22       | 115 59 42-62 | 1        | OPERATOR'S MANUAL, Romanian                     |     |
| 22       | 115 59 42-63 | 1        | OPERATOR'S MANUAL, Estonian                     |     |
| 22       | 115 59 42-64 | 1        | OPERATOR'S MANUAL, Latvian                      |     |
| 22       | 115 59 42-65 | 1        | OPERATOR'S MANUAL, Lithuanian                   |     |
| 22       | 115 59 42-68 | 1        | OPERATOR'S MANUAL, Slovak                       |     |

| Position | Article      | Quantity | Notes   | Kit |
|----------|--------------|----------|---|-----|
| 22       | 115 59 42-71 | 1        | OPERATOR'S MANUAL, Greek                            |     |
| 22       | 115 59 42-76 | 1        | OPERATOR'S MANUAL, Turkish                          |     |
| 22       | 115 59 42-81 | 1        | OPERATOR'S MANUAL, Croatian                         |     |
| 22       | 115 59 42-84 | 1        | OPERATOR'S MANUAL, Slovenian                        |     |
| 22       | 115 59 42-90 | 1        | OPERATOR'S MANUAL, Czech                            |     |
| 22       | 115 59 42-95 | 1        | OPERATOR'S MANUAL, US English                       |     |
| 22       | 115 59 42-96 | 1        | OPERATOR'S MANUAL, US Spanish                       |     |
| 23       | 115 59 36-10 | 1        | QUICK GUIDE, Swedish, Danish, Norwegian, Finnish    |     |
| 23       | 115 59 36-20 | 1        | QUICK GUIDE, German, French, Dutch, Slovenian       |     |
| 23       | 115 59 36-30 | 1        | QUICK GUIDE, Spanish, Portuguese, Italian, English  |     |
| 23       | 115 59 36-38 | 1        | QUICK GUIDE, English, Spanish, French, German       |     |
| 23       | 115 59 36-39 | 1        | QUICK GUIDE, German, French, Italian, English       |     |
| 23       | 115 59 36-40 | 1        | QUICK GUIDE, Russian, Estonian, Latvian, Lithuanian |     |
| 23       | 115 59 36-50 | 1        | QUICK GUIDE, Czech, Slovak, Polish, Hungarian       |     |
| 23       | 115 59 36-93 | 1        | QUICK GUIDE, Croatian, Turkish, Romanian, Greek     |     |