

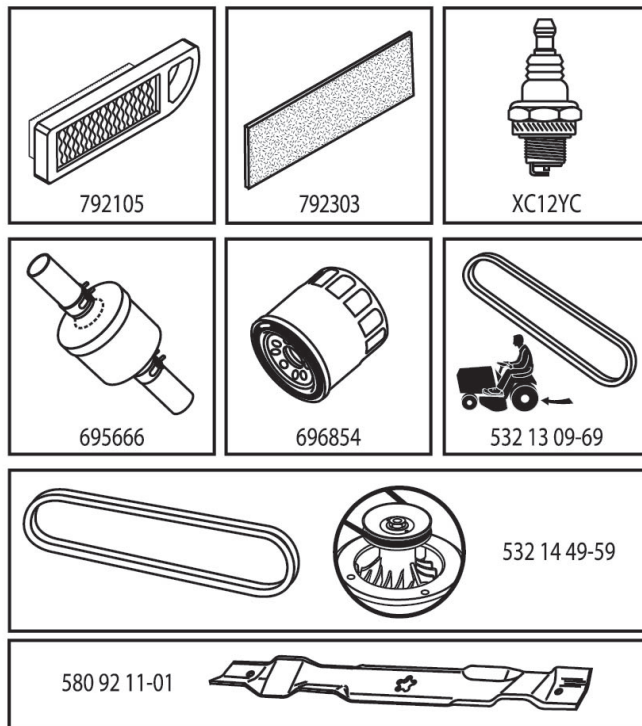
ILLUSTRATED PARTS LIST

MFG. ID NO. 96041037100

CUSTOMER CATALOG NO. TS 342

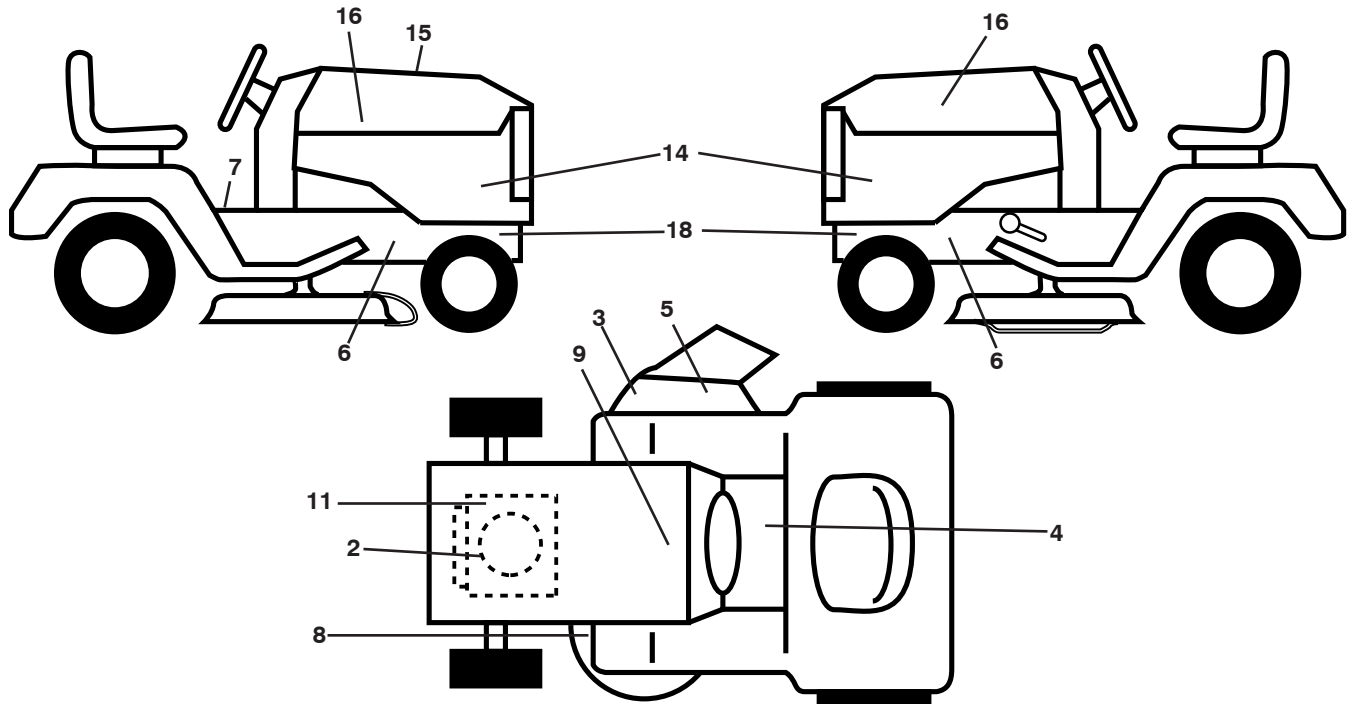
PRODUCT NO. 960 41 03-71

47



587385901

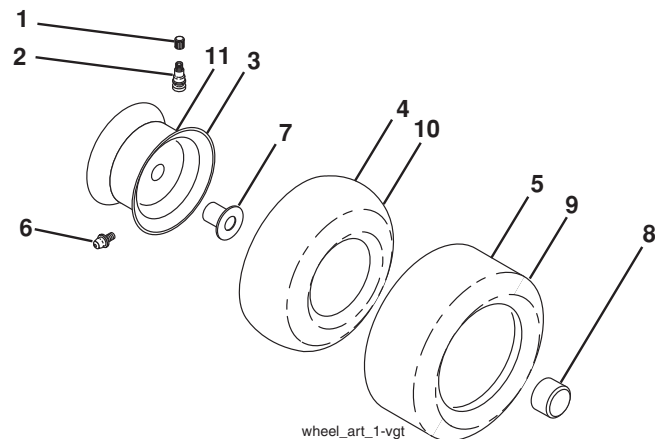
**TRACTOR - MODEL NO. TS 342 (96041037100), PRODUCT NO. 960 41 03-71
DECALS 27**



KEY NO.	PART NO.	DESCRIPTION
2	587 46 91-01	Decal, Engine
3	581 57 92-01	Decal, Warning
4	586 80 03-01	Decal, Tractor Saddle
5	584 90 46-01	Decal, Deflect. Warning
6	581 57 98-01	Decal, Warning
7	586 34 95-01	Decal, Warning Symbols
8	581 58 00-01	Decal, Mower Sch.
9	532 14 50-05	Decal, Battery Dan./Poi.
11	581 57 97-01	Decal, Engine Warning
14	587 39 71-01	Decal, Panel Side
15	587 38 59-01	Decal, Replacement Parts

KEY NO.	PART NO.	DESCRIPTION
16	581 62 73-01	Decal, Hood Logo
18	581 57 96-01	Decal, Chassis Hot Muffler
--	581 72 46-01	Decal, Drawbar Load Limit
--	581 72 48-01	Decal, Bypass
--	532 43 98-82	Pad, Footrest, LH
--	532 43 98-81	Pad, Footrest, RH
--	587 39 85-40	Manual, Operator's (Euro)
--	587 39 85-50	Manual, Operator's (Scan)
--	587 39 85-20	Manual, Operator's (E-bloc)
--	587 39 85-30	Manual, Operator's (Baltic)

WHEELS AND TIRES



KEY NO.	PART NO.	DESCRIPTION
1	532 05 91-92	Cap, Valve, Tire
2	532 06 51-39	Stem, Valve
3	532 13 83-36	Rim Assembly, Front
4	532 05 99-04	Tube, Front (Service Item Only)
5	532 10 62-22	Tire, Front 15 x 6-6
6	532 12 49-57	Fitting, Grease (Front Wheel Only)
7	532 12 49-59	Bearing, Flange (Front Wheel Only)
8	532 17 50-39	Cap, Axle (Front Wheel Only)
9	532 12 20-82	Tire, Rear 20 x 10-8
10	532 12 49-26	Tube, Rear (Service Item Only)
11	532 13 83-37	Rim Assembly, Rear
--	532 14 43-34	Sealant, Tire (10 oz. Tube)

NOTE: All component dimensions given in U.S. inches
1 inch = 25.4 mm

TRACTOR - MODEL NO. TS 342 (96041037100), PRODUCT NO. 960 41 03-71

SCHEMATIC 38

SCH28

SMART IGNITION SWITCH (S.I.S.)



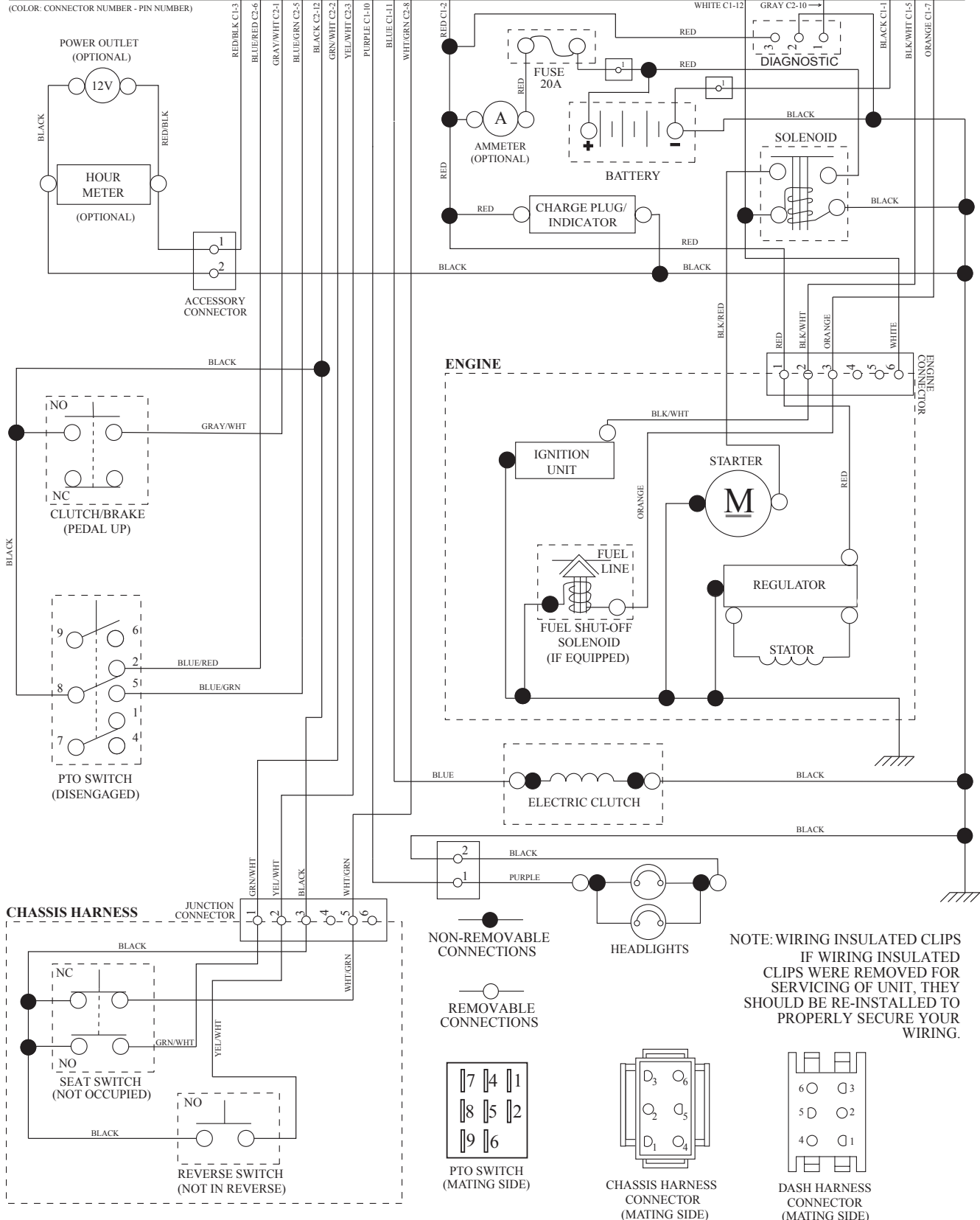
-DO NOT OPEN!
-PERMANENT DAMAGE CAN RESULT
IF PROPER DIAGNOSTIC PROCEDURES
ARE NOT FOLLOWED.
-CONTACT YOUR DEALER OR AUTHORIZED
SERVICE CENTER FOR REPAIR.



SENSITIVE ELECTRONIC
COMPONENTS INSIDE!

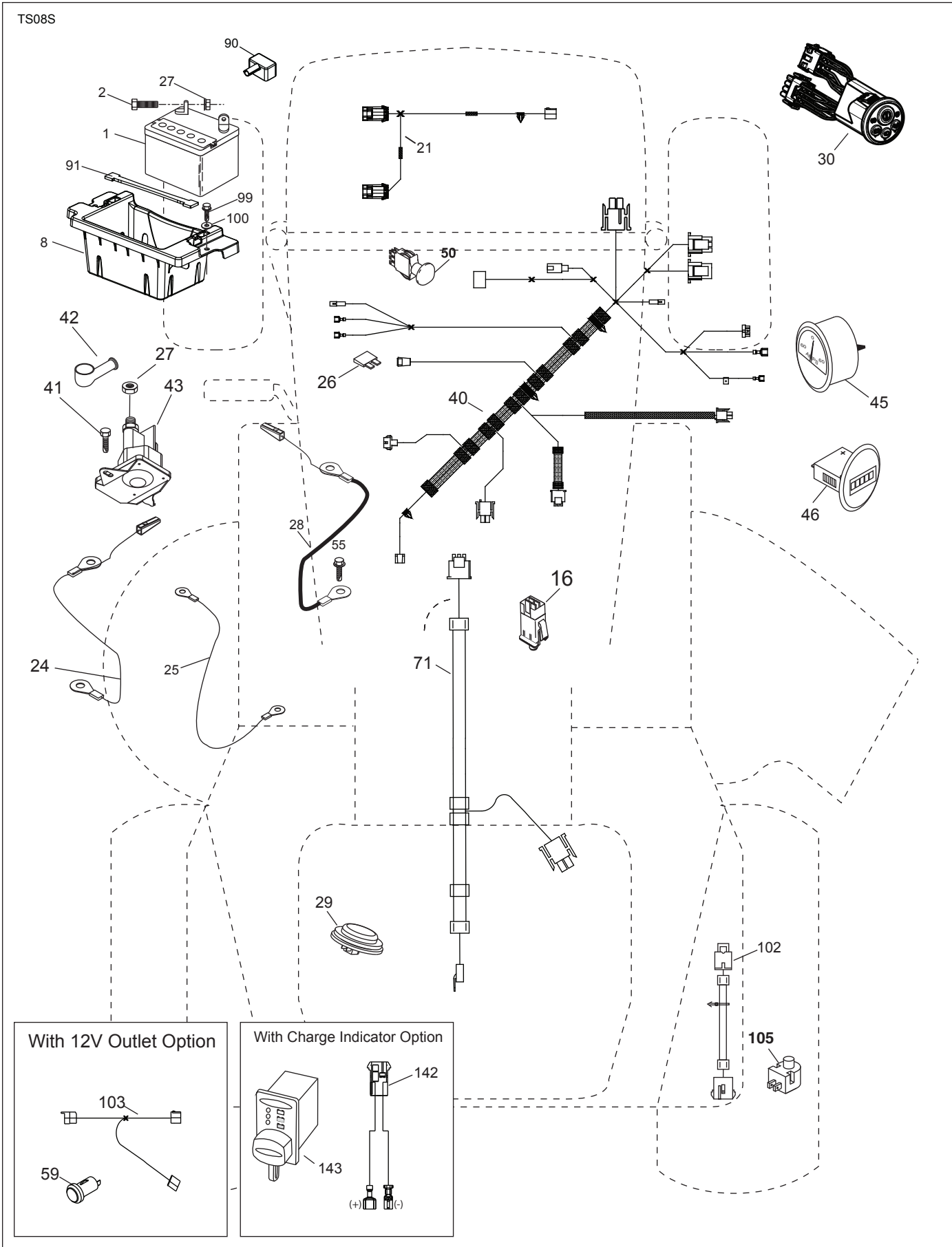


(COLOR: CONNECTOR NUMBER - PIN NUMBER)



NOTE: WIRING INSULATED CLIPS
IF WIRING INSULATED
CLIPS WERE REMOVED FOR
SERVICING OF UNIT, THEY
SHOULD BE RE-INSTALLED TO
PROPERLY SECURE YOUR
WIRING.

TRACTOR - MODEL NO. TS 342 (96041037100), PRODUCT NO. 960 41 03-71
ELECTRICAL 32

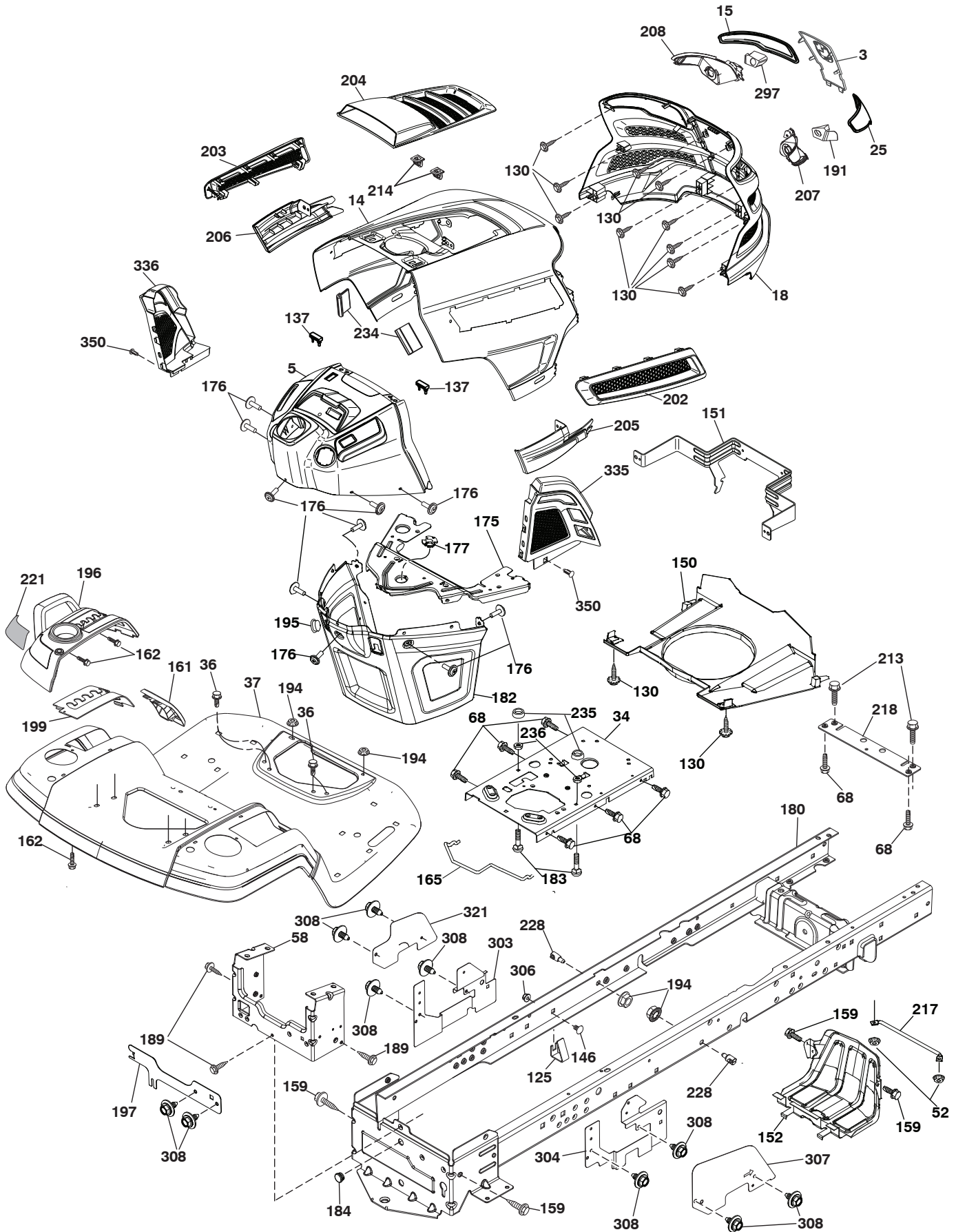


**TRACTOR - MODEL NO. TS 342 (96041037100), PRODUCT NO. 960 41 03-71
ELECTRICAL 32**

KEY PART NO. NO.	DESCRIPTION
1	532 16 34-65 Battery
2	874 76 04-12 Bolt Hex Hd. 1/4-20 unc x 3/4
8	532 18 64-91 Battery Box
16	532 17 61-38 Switch Interlock
21	585 43 64-01 Harness Light
24	585 73 43-01 Cable Battery
25	585 55 55-01 Cable Starter
26	532 17 51-58 Fuse
27	873 51 04 00 Nut Keps Hex 1/4-20 unc
28	585 30 69-01 Cable Ground
29	581 42 93-02 Switch Seat
30	584 79 06-01 Switch Asm. Smart
40	585 26 36-01 Harness Ign. Dash
41	817 72 04-08 Screw 1/4-20 x 1/2
42	532 13 15-63 Cover Terminal
43	532 19 25-07 Solenoid
45	532 42 52-70 Ammeter Guage Round
46	532 42 52-71 Hourmeter Gauge
50	532 17 46-51 Switch PTO
55	817 06 05-12 Screw 5/16-18 x 3/4
71	585 21 60-01 Harness Ign. Chassis
90	532 43 53-95 Cover Terminal Battery
91	532 19 02-70 Strap Battery
99	817 67 04-12 Screw Hex Wsh. Thdrol. 1/4-20 x 3/4
100	819 09 14-16 Washer 9/32 x 7/8 x 16 Ga.
102	532 40 44-54 Harness Pigtail Tex ROS Tufftorq
105	532 40 75-68 Switch Reverse
142	583 85 78-01 Charge Port Pigtail
143	532 44 80-59 Charge Port

NOTE: All component dimensions given in U.S. inches
1 inch = 25.4 mm

TRACTOR - MODEL NO. TS 342 (96041037100), PRODUCT NO. 960 41 03-71
CHASSIS AND ENCLOSURES **39**



Chassis-tex_GT HUSQ_II_169

**TRACTOR - MODEL NO. TS 342 (96041037100), PRODUCT NO. 960 41 03-71
CHASSIS AND ENCLOSURES 39**

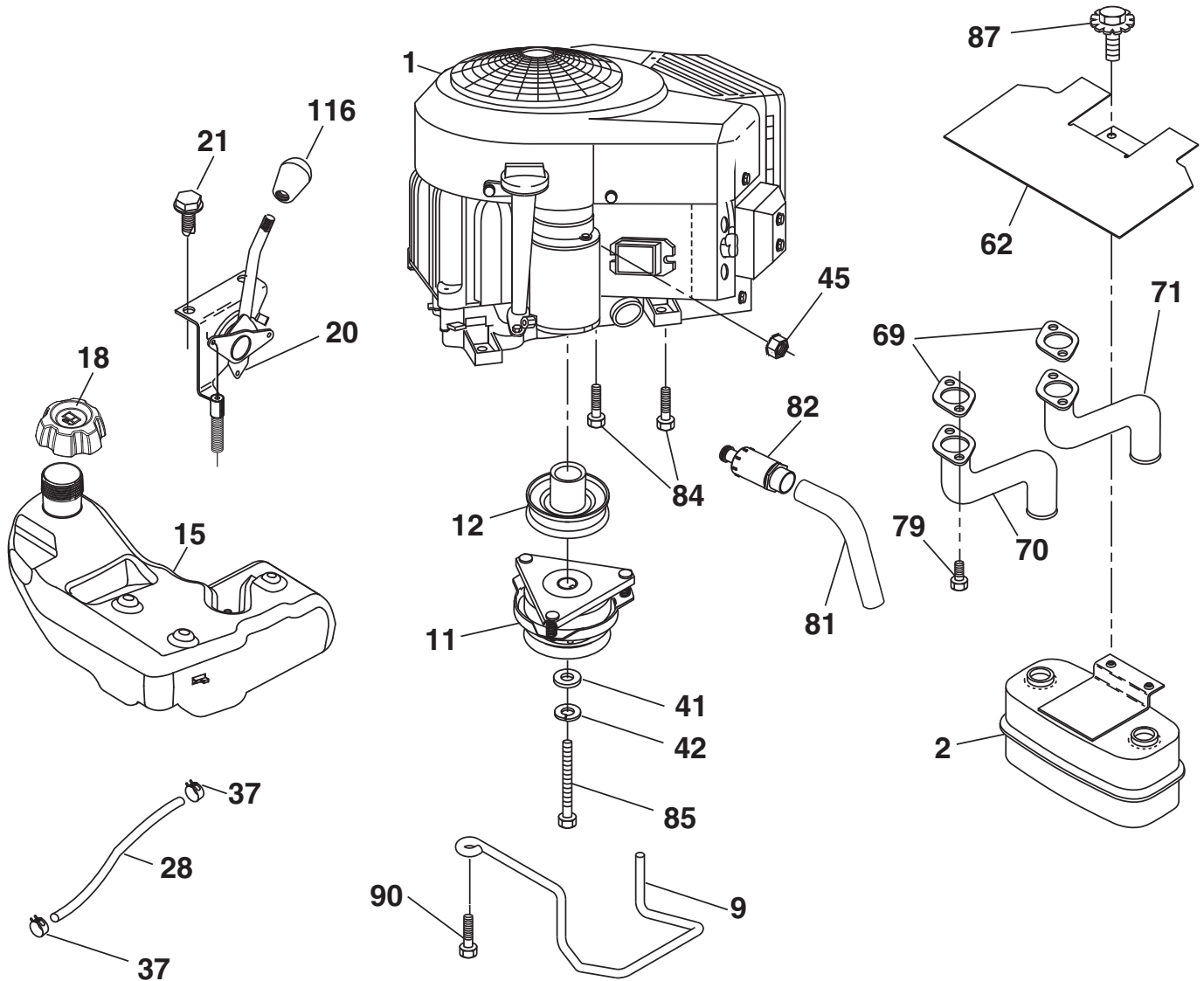
KEY NO.	PART NO.	DESCRIPTION	KEY NO.	PART NO.	DESCRIPTION
3	532 44 44-81	Applique Sub Asm.	199	532 19 82-59	Plate Deck Lift
5	581 67 42-02	Dash	202	532 43 97-28	Vent Side Hood RH
14	532 44 11-77	Hood	203	532 43 97-27	Vent Side Hood LH
15	585 42 03-01	Lens LH	204	532 43 57-14	Vent Asm. Hood Top
18	532 44 06-53	Grille	205	532 43 97-30	Trim Hood Side RH
25	585 42 02-01	Lens RH	206	532 43 97-29	Trim Hood Side LH
34	580 91 08-01	Plate Engine	207	585 42 00-01	Bezel RH
36	817 06 05-12	Screw 5/16-18 x 3/4	208	585 42 01-01	Bezel LH
37	532 44 12-08	Fender	213	874 76 05-12	Bolt Hex Hd. 5/16-18 unc x 3/4
52	873 68 05-00	Nut Crownlock 5/16-18	214	532 19 91-45	Clip Retainer
58	532 41 22-81	Drawbar Upper	217	532 40 91-67	Rod Pivot
68	817 49 05-08	Screw 5/16-18 x 1/2	218	532 19 63-95	Hood Stop
125	581 68 48-01	Clip Fuel Line	221	532 19 89-09	Reflector LH
130	532 41 63-58	Screw #10 x 0.750	228	532 19 51-61	Stud Fastener
137	532 40 75 90	Bumper Dash	234	532 40 47 42	Bumper Hood
146	581 85 79-01	Bolt	235	532 40 61 29	Spacer Fender
150	532 43 97-74	Duct Heat Hood	236	873 93 05-00	Nut 5/16-18 unc
151	532 43 66-70	Pivot Bracket	297	586 18 29-01	Insert Reflective LH
152	532 43 98-70	Shield Browning/Debris	303	587 49 34-02	Shield Chassis Fren LH
159	817 00 06-12	Screw 3/8-16 x 3/4 BL	304	587 49 29-02	Shield Chassis Fren RH
161	532 43 99-29	Console Fuel Window	305	872 11 06-06	Bolt 3/8-16 x 3/4
162	532 14 24-32	Screw Hex Wsh. Hi-Lo 1/4 x 1/2	306	873 90 06-00	Nut 3/8-16 unc
165	532 19 68-26	Bracket Support Tank	307	587 52 03-01	Shield Upper Pedal
175	532 19 63-04	Crossmember	308	532 17 18-77	Bolt 5/16-18
176	532 40 07-76	Screw #10-24 x 5/8	321	587 52 02-01	Shield Upper LH
177	532 19 52-27	Bushing Steering	335	532 44 82-04	Lower Dash Cover RH
180	532 41 50-64	Chassis	336	532 44 53-09	Lower Dash Cover LH
182	532 40 68-59	Dash Lower	350	532 44 51-43	Clip X-mas Tree
183	874 52 05-20	Bolt 5/16-18 unc x 1-1/4	--	532 43 18-82	Kit Guard Brush
184	587 55 41-01	Plug Demo	--	586 29 76-01	Plug Light Switch
189	817 00 05-12	Screw 5/16-18 x 3/4			
191	586 18 28-01	Insert Reflective RH			
194	873 90 05-00	Nut Lock Hex Flange 5/16-18			
195	532 40 41-37	Plug 12 V Adapter			
196	532 43 97-16	Console Asm. Deck Lift			
197	587 49 32-02	Shield Drawbar			

NOTE: All component dimensions given in U.S. inches
1 inch = 25.4 mm

**TRACTOR - MODEL NO. TS 342 (96041037100), PRODUCT NO. 960 41 03-71
DRIVE **40****

KEY NO.	PART NO.	DESCRIPTION	KEY NO.	PART NO.	DESCRIPTION
1	-----	Transaxle, TUFFTORQ K46BT(426120)(Order parts from transaxle manufacturer.)	184	587 65 37-01	Handle Parking Brake
2	532 12 35-83	Key	185	872 11 06-22	Bolt Rdhd Sqnk 3/8-16 x 2-1/2
15	819 13 13-16	Washer 13/32 x 13/16 x 16 Ga.	186	532 19 43-21	Spacer Retainer
17	532 41 36-78	Spring, Brake	187	819 13 32-10	Washer
26	532 19 96-79	Spring Return Cruise	188	532 19 43-23	Link Clutch Ground Drive
29	532 40 38-06	Rod, Brake	189	532 19 43-17	Bellcrank Ground Drive
33	812 00 00-01	Ring E	190	532 19 43-18	Keeper Bellcrank Ground Drive
35	583 86 45-01	Rod, Brake, Park	196	817 00 06-16	Screw 3/8-16 x 1
42	532 12 48-72	Cover, Foot Pedal	197	532 19 58-04	Bracket Clutch Anti-Rotation
49	872 11 06-14	Bolt	205	532 12 17-48	Washer
50	532 19 43-27	Pulley Idler Flat	206	532 44 85-96	Bracket Mount Latch Cruise
51	873 90 06-00	Lock Nut 3/8-16	207	532 19 78-68	Latch Control Cruise
52	532 19 43-26	Idler V-Groove	208	532 19 78-69	Gear Sector Control Cruise
56	532 13 09-69	V-Belt, Drive	209	532 19 95-92	Rod Control Cruise
64	532 19 78-65	Shaft Asm. Pedal Brake Control	210	532 19 78-60	Rocker Asm. Pedal Control
70	532 43 96-61	Console Asm RH	211	532 12 01-83	Bearing Nylon
73	874 49 05-40	Bolt Hex 5/16-18 x 2-1/2 Gr. 5	213	532 40 31-19	Knob Control Cruise
74	532 14 24-32	Screw Hex Wsh Hd Hi-Lo 1/4 x 1/2 unc	214	532 41 68-63	Pedal Forward
92	874 76 05-20	Bolt Fin Hex 5/16-18 unc x 1.25	215	586 60 65-01	Pedal Reverse
99	532 41 57-42	Rod Spring Bypass	216	532 19 61-31	Bracket
116	873 90 05-00	Nut Lock Hex Flange 5/16-18	220	532 19 89-08	Reflector RH
125	817 00 05-12	Screw 5/16-18 x 3/4	221	532 40 31-87	Retainer Spring Clip Handle
143	817 49 05-08	Screw 5/16-18 x 1/2	222	879 21 20-10	Washer 21/32 x 1-1/4 x 10 Ga.
153	532 12 47-88	Retainer Spring	225	532 40 33-19	Keeper Belt Trans.
159	876 02 04-12	Pin Cotter 1/8 x 3/4	227	817 49 05-12	Screw 5/16-18 x 3/4
160	532 16 94-84	Retainer Clip	230	532 18 89-67	Washer Hardened
161	532 10 57-09	Spring, Return, Clutch	284	532 41 76-93	Nut U-CHNL 1/4-20
163	532 44 82-75	Rod Pedal Control	307	874 18 04-12	Screw Mach. 1/4-20 3/4
166	532 42 91-64	Nut Push	325	585 66 85-02	Bracket
167	532 40 52-57	Latch Brake Parking	326	585 67 08-02	Bracket
170	532 19 43-22	Keeper Belt Centerspan	336	587 25 96-01	Bolt
171	872 11 06-16	Bolt 3/8-16 unc			
183	532 13 70-57	Spacer Split			

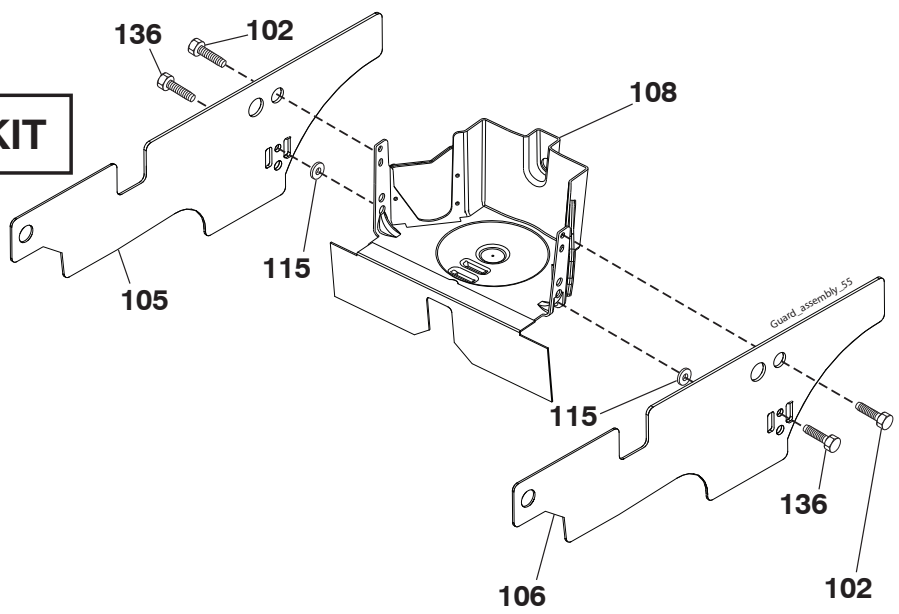
NOTE: All component dimensions given in U.S. inches
1 inch = 25.4 mm



29

SPARK ARRESTER KIT

engine-tex_bs-2cyl_31



**TRACTOR - MODEL NO. TS 342 (96041037100), PRODUCT NO. 960 41 03-71
ENGINE 24**

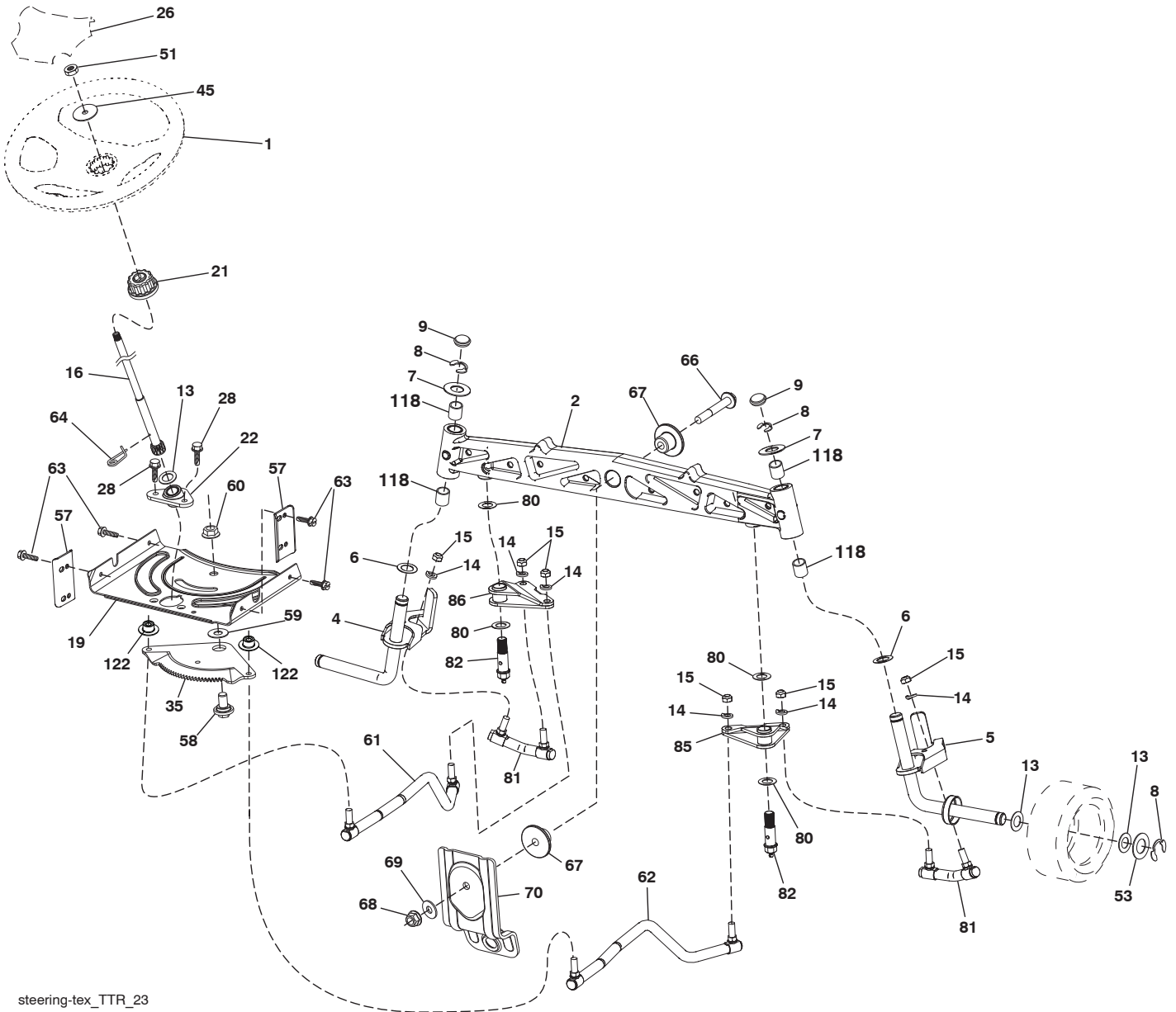
KEY NO.	PART NO.	DESCRIPTION
1	---	Briggs&Stratton 40S777-0003-B1 (587525901)(Order parts from engine manufacturer.)
2	532 44 59-62	Muffler
9	584 90 80-01	Keeper Belt Engine
11	532 18 05-05	Clutch Electric
12	532 40 50-97	Pulley Engine
15	532 19 34-99	Tank Fuel 4.0
18	584 24 87-02	Cap Fuel
20	586 21 96-01	Control Throttle/Choke
21	532 41 63-58	Screw #10 x 0.750
28	532 14 21-58	Fuel Line
29	532 13 71-80	Spark Arrester Kit
37	532 12 34-87	Clamp Hose
41	532 12 61-97	Washer 1-1/2 OD x 15/32 ID x .250
42	810 04 07-00	Washer Lock 7/16
45	873 51 04-00	Nut Keps 1/4-20 unc
62	532 43 40-17	Shield Heat Muffler
69	532 16 53-91	Gasket
70	581 88 11-01	Tube Exhaust LH
71	581 88 10-01	Tube Exhaust RH
79	532 18 39-06	Screw
81	532 14 84-56	Tube Drain Oil Easy
82	532 42 82-87	Valve Oil Drain
84	817 06 06-20	Screw
85	532 17 39-37	Bolt Hex 7/16-20 x 4 Gr. 5
87	532 17 18-77	Belt 5/16-18 unc x 3/4 w/Sems.
90	817 00 06-16	Screw 3/8-16 x 1
102	817 00 05-12	Screw 5/16-18 x 3/4
105	532 41 05-28	Shield Side LH
106	532 41 05-29	Shield Side RH
108	532 42 17-94	Cover Asm. Engine
115	532 42 30-62	Palnut 1/4
116	539 13 26-24	Knob Shift
136	532 13 77-29	Screw 1/4-20 x 5/8

NOTE: All component dimensions given in U.S. inches
1 inch = 25.4 mm

Engine Power Rating Information

The gross power rating for individual gas engine models is labeled in accordance with SAE (Society of Automotive Engineers) code J1940 (Small Engine Power & Torque Rating Procedure), and rating performance has been obtained and corrected in accordance with SAE J1995 (Revision 2002-05). Torque values are derived at 3060 RPM; horsepower values are derived at 3600 RPM. Actual gross engine power will be lower and is affected by, among other things, ambient operating conditions and engine-to-engine variability. Given both the wide array of products on which engines are placed and the variety of environmental issues applicable to operating the equipment, the gas engine will not develop the rated gross power when used in a given piece of power equipment (actual "on-site" or net power). This difference is due to a variety of factors including, but not limited to, accessories (air cleaner, exhaust, charging, cooling, carburetor, fuel pump, etc.), application limitations, ambient operating conditions (temperature, humidity, altitude), and engine-to-engine variability. Due to manufacturing and capacity limitations, Briggs & Stratton may substitute an engine of higher rated power for this Series engine.

TRACTOR - MODEL NO. TS 342 (96041037100), PRODUCT NO. 960 41 03-71
STEERING ASSEMBLY **41**



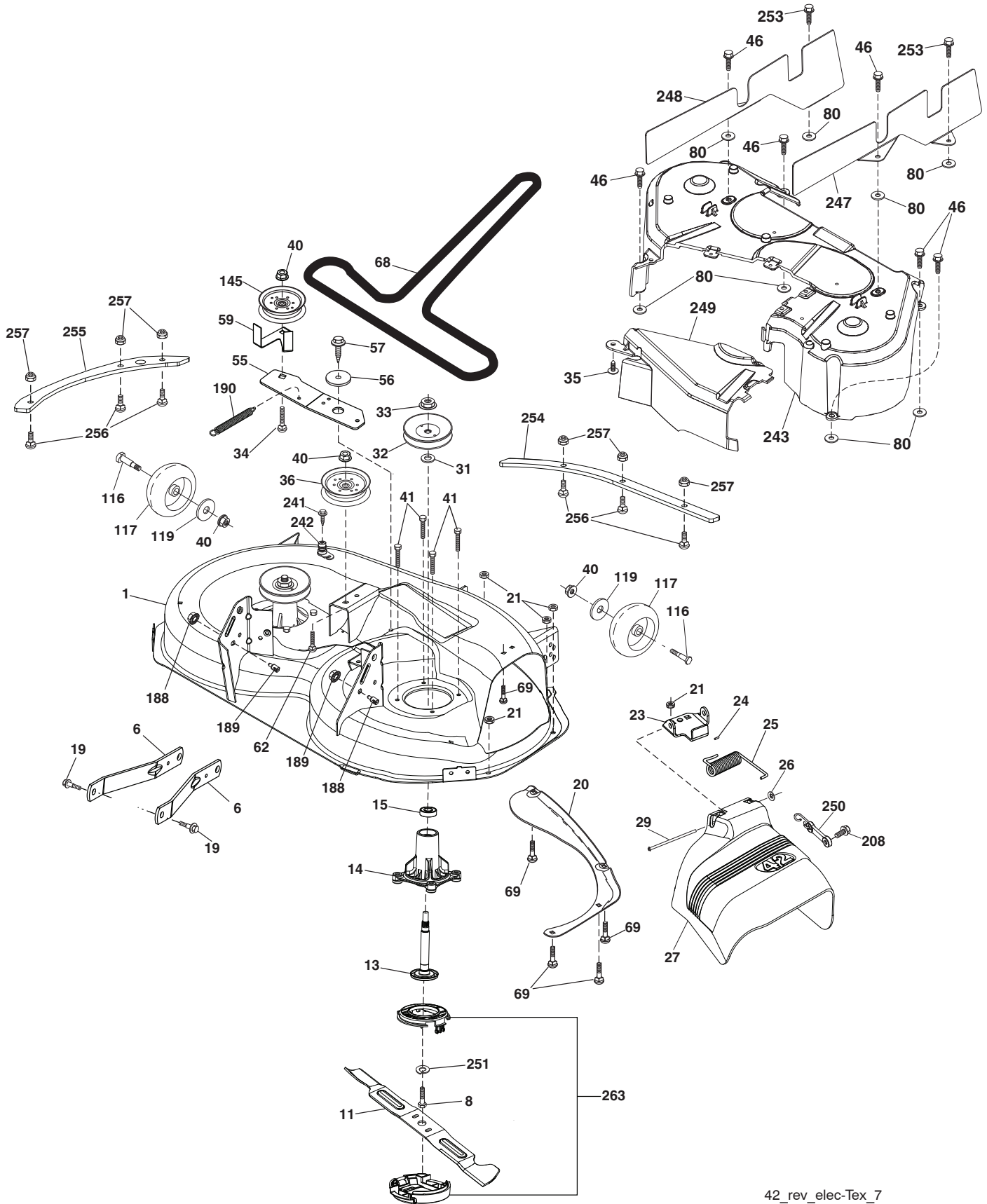
steering-tex_TTR_23

**TRACTOR - MODEL NO. TS 342 (96041037100), PRODUCT NO. 960 41 03-71
STEERING ASSEMBLY 41**

KEY NO.	PART NO.	DESCRIPTION
1	532 43 97-40	Wheel, Steering
2	532 43 68-70	Axle Asm., Front
4	532 43 68-73	Spindle Asm., LH
5	532 43 68-74	Spindle Asm., RH
6	532 12 49-31	Washer Thrust 0.75 x 1.23
7	532 12 17-48	Washer 25/32 x 1-5/8 x 16 Ga.
8	812 00 00-29	Ring, Klip #T5304-75
9	532 12 12-32	Cap, Spindle
13	532 12 17-49	Washer 25/32 x 1-1/4 x 16 Ga.
14	810 04 06-00	Washer, Lock 3/8
15	873 54 06-00	Nut, Crown Lock 3/8-24 unf
16	532 44 42-12	Shaft Steering
19	532 19 47-29	Plate Steering
21	532 43 77-47	Adapter, Wheel Steering
22	532 19 48-45	Bushing, Strg. Blk
26	532 43 97-43	Insert, Wheel Steering
28	817 00 06-12	Screw 3/8-16 x 3/4
35	532 44 07-70	Gear, Sector Plate
45	819 18 38-12	Washer 11/32 ID x 2-3/8 OD x 12 Ga.
51	873 94 08-00	Nut Hex Jam Locknut
53	532 18 89-67	Washer Hardened .793 x 1.637 x .060
57	532 40 74-65	Bracket Upstop
58	532 19 47-47	Bolt Shoulder Sector Pivot CFM
59	532 19 47-48	Washer Thrust Sector Steering
60	873 97 10-00	Nut Flange Lock 5/8-11
61	581 92 62-02	Draglink, LH
62	581 92 63-02	Draglink, RH
63	817 00 05-12	Screw 5/16-18 x 3/4
64	532 19 98-49	Retainer Clip Spring Steering
66	871 02 07-48	Bolt Hex Fghd 7/16-14 x 3 Serr
67	532 19 47-37	Bushing PM Front Axle
68	873 90 07-00	Nut Lock Flange 7/16-14 Gr. 5
69	532 19 91-62	Washer 1.5 x .505 x .118
70	585 33 88-01	Bracket Deck Susp. Front
80	532 00 13-70	Washer
81	532 43 68-87	Link Cross RH
82	532 44 21-47	Pivot Bolt
85	532 44 18-73	Pivot RH
86	532 44 18-72	Pivot LH
118	532 40 60-13	Bushing Axle
122	532 44 49-62	Cap Gear Sector TFX

NOTE: All component dimensions given in U.S. inches
1 inch = 25.4 mm

TRACTOR - MODEL NO. TS 342 (96041037100), PRODUCT NO. 960 41 03-71
MOWER DECK **44**



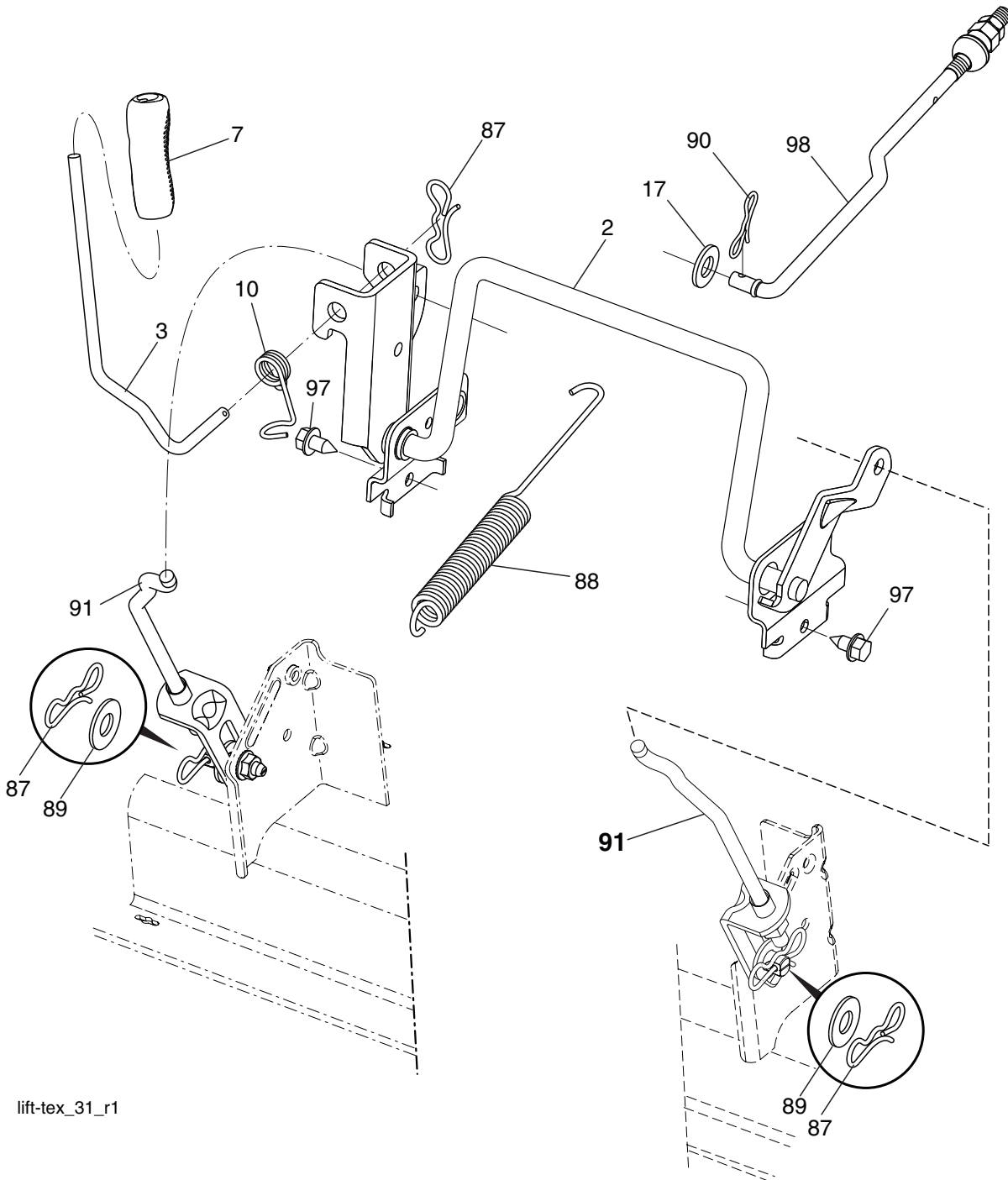
42_rev_elec-Tex_7

**TRACTOR - MODEL NO. TS 342 (96041037100), PRODUCT NO. 960 41 03-71
MOWER DECK 44**

KEY NO.	PART NO.	DESCRIPTION	KEY NO.	PART NO.	DESCRIPTION
1	584 92 75-01	Mower Housing	117	532 18 86-06	Wheel, Gauge
6	532 19 51-86	Arm Suspension	119	819 12 14-14	Washer 3/8 x 7/8 x 14 Ga.
8	584 30 93-01	Screw	145	532 19 31-97	Pulley Idler
11	580 92 11-01	Blade Mower	188	532 19 51-61	Stud Fastener
13	580 85 47-01	Shaft Asm. Rev. Tall	189	873 90 05-00	Nut Lock Hex Flange
14	580 79 61-01	Housing, Mandrel	190	532 19 72-51	Spring Return
15	532 11 04-85	Bearing, Ball, Mandrel	208	817 67 06-08	Screw Thdrol 3/8-16 x 1/2
19	532 19 65-39	Bolt, Shoulder	241	532 15 29-27	Screw
20	532 15 97-70	Baffle Vortex	242	532 41 55-98	Washout Port
21	873 68 05-00	Nut	243	532 43 23-94	Cover Asm.
23	532 19 25-57	Bracket, Deflector	246	580 95 40-03	Blade Holder
24	532 10 53-04	Cap, Sleeve	247	532 43 23-93	Cover Asm Deck RH
25	532 19 70-26	Spring, Torsion, Deflector	248	532 43 23-92	Cover Asm LH
26	532 11 04-52	Nut, Push	249	532 40 65-14	Cover Cable Clutch
27	532 41 14-85	Shield, Deflector	250	532 43 60-87	Kit Bungee
29	532 13 14-91	Rod, Hinge	251	810 04 07-00	Washer Lock 7/16
31	532 18 76-90	Washer, Spacer	253	532 42 73-50	Rivet Tuflok
32	532 15 35-35	Pulley, Mandrel	254	585 31 68-05	Plate Reinforcement Front
33	532 40 02-34	Nut, Toplock, Flanged	255	585 31 70-05	Plate Reinforcement Side
34	872 11 06-12	Bolt Carr Sh. 3/8-16 x 1-1/2 Gr. 5	256	539 10 98-00	Carriage Bolt 1/4-20 x 1 Gr. 5
35	532 13 38-35	Fastner Christmas Tree	257	873 90 04-00	Nut Hex Flange 1/4-20 unc
36	532 19 73-79	Pulley, Idler, Flat	263	586 63 85-01	Cap Revolution Bumper
40	873 90 06-00	Nut, Lock Flg. 3/8-16 unc	--	580 85 60-01	Mandrel Assembly-Tall (Includes Housing (Key #14), Shaft Assembly (Key #13), and Bearing Only (Key #15) Pulley/Nut/Washer and Blade Bolt/Washers Not Included)
41	584 95 39-01	Bolt Hex Washer Head 3/8-16 x 1.19	--	587 53 93-01	Replacement Mower, Complete
46	532 13 77-29	Screw			
55	532 43 71-10	Arm, Idler			
56	532 19 90-92	Spacer, Retainer			
57	817 00 06-16	Screw Hexwsh Thd 3/8-16 x 1			
59	532 14 10-43	Guard, Tuv Idler (94)			
62	872 11 06-16	Bolt 3/8-16 unc x 2			
68	532 14 49-59	V-Belt			
69	872 14 05-05	Bolt			
80	532 42 30-62	Palnut 1/4			
116	532 12 48-42	Bolt, Shoulder			

NOTE: All component dimensions given in U.S. inches
1 inch = 25.4 mm

TRACTOR - MODEL NO. TS 342 (96041037100), PRODUCT NO. 960 41 03-71
MOWER LIFT 45



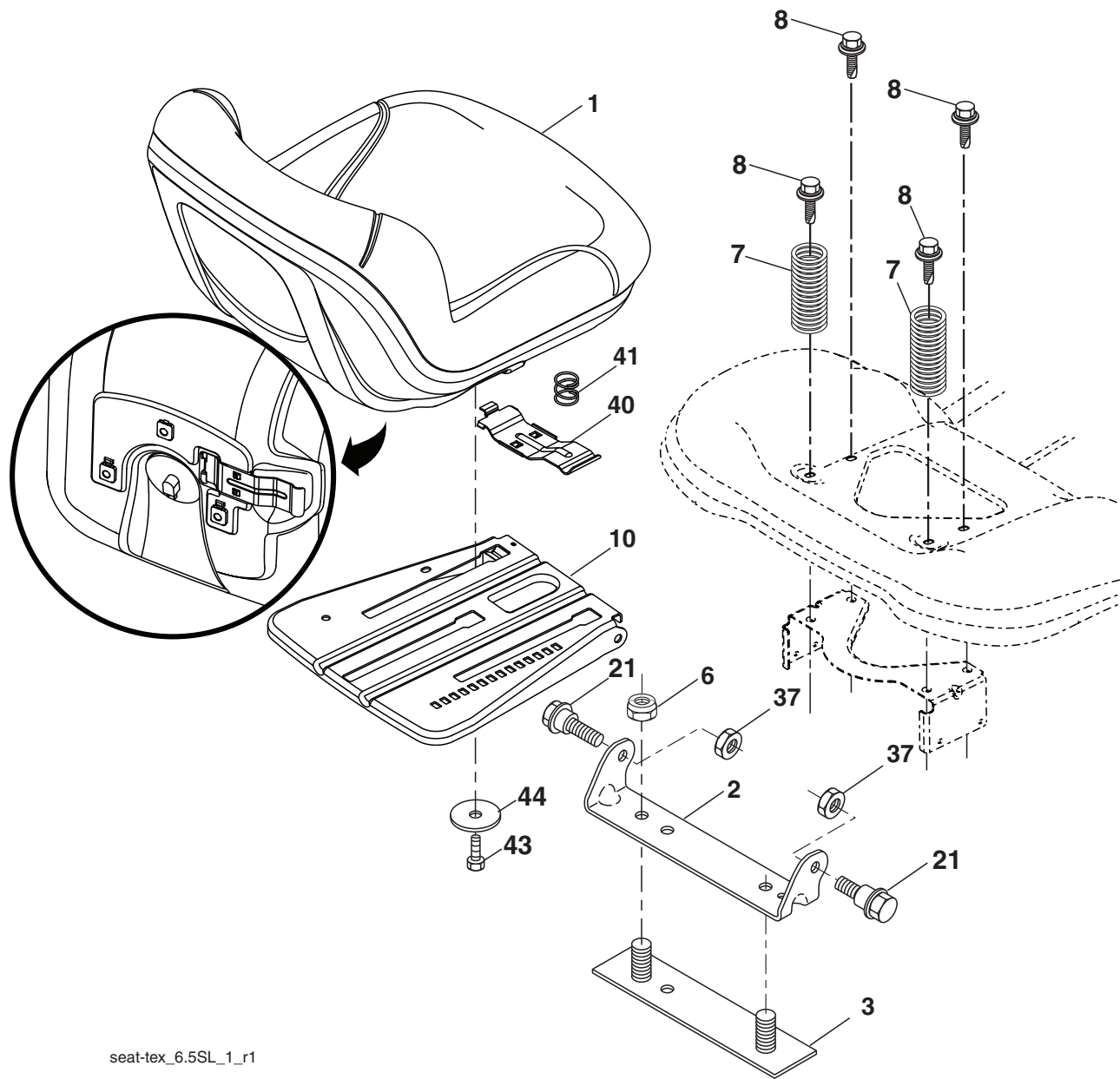
lift-tex_31_r1

KEY NO.	PART NO.	DESCRIPTION
2	532 42 20-27	Shaft Asm., Lift
3	532 19 52-30	Lever Asm., Lift RH
7	580 96 23-01	Grip, Lever
10	532 19 63-14	Spring Torsion
17	819 13 13-12	Washer 13/32 x 13/16 x 12 Ga.
87	532 19 42-09	Pin Cotter 7/16 Bow Tie Lock
88	532 41 07-10	Spring Lift Assist
89	819 19 19-12	Washer Clear Zinc

KEY NO.	PART NO.	DESCRIPTION
90	532 19 42-08	Pin Cotter 5/16 Bow Tie Lock
91	532 19 51-81	Lift Link Asm. Rear
97	817 00 06-12	Screw 3/8-16 x .75 Smgml. Tap/R.Z
98	532 19 52-70	Link Asm. Susp. Front Mower

NOTE: All component dimensions given in U.S. inches
 1 inch = 25.4 mm

**TRACTOR - MODEL NO. TS 342 (96041037100), PRODUCT NO. 960 41 03-71
SEAT ASSEMBLY 42**



seat-tex_6.5SL_1_r1

KEY NO.	PART NO.	DESCRIPTION
1	532 43 98-22	Seat
2	532 18 01-66	Bracket Pivot Fender
3	532 14 06-75	Strap, Asm Fender
6	873 80 06-00	Nut, Lock W/Ins. 3/8-16 unc
7	532 12 41-81	Spring, Seat Cprsn
8	532 17 18-77	Bolt 5/16-18 unc x 3/4 w/Sems
10	532 19 69-77	Pan, Seat
21	532 17 18-52	Bolt, Shoulder 5/16-18

KEY NO.	PART NO.	DESCRIPTION
37	873 80 05-00	Nut, Lock 5/16-18 unc
40	532 19 76-61	Handle Slide Seat
41	532 19 82-00	Spring Latch Seat
43	874 76 06-12	Bolt Fin Hex 3/8-16 unc x 3/4
44	819 13 38-12	Washer 13/32 x 2-3/8 x 12 Ga.

NOTE: All component dimensions given in U.S. inches
1 inch = 25.4 mm

