

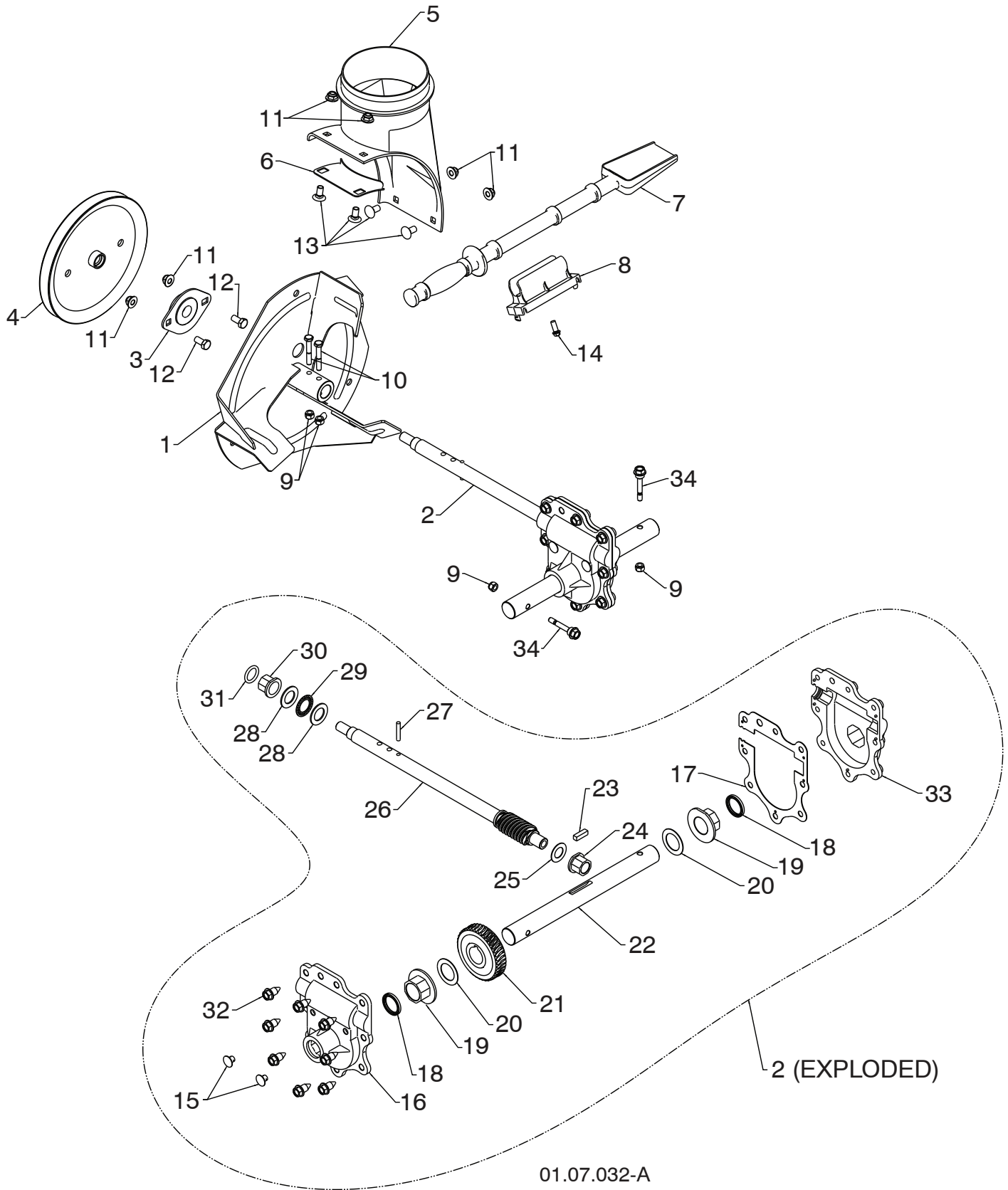
**ILLUSTRATED PARTS LIST**

**MODEL NUMBER ST 261E**  
**PRODUCT NUMBER 961 91 00-30**  
**MFG. ID. NUMBER 96191003010**

# REPAIR PARTS

# AUGER HOUSING / IMPELLER ASSEMBLY

SNOW THROWER - MODEL NO. **ST 261E** (96191003010), PRODUCT NO. 961 91 00-30



**NOTE:** All component dimensions given in U.S. inches. 1 inch = 25.4 mm  
**IMPORTANT:** Use only Original Equipment Manufacturer (O.E.M.) replacement parts.  
Failure to do so could be hazardous, damage your snow thrower and void your warranty.

**REPAIR PARTS****AUGER HOUSING / IMPELLER ASSEMBLY****SNOW THROWER - MODEL NO. ST 261E (96191003010), PRODUCT NO. 961 91 00-30**

| KEY NO. | PART NO.     | DESCRIPTION          |
|---------|--------------|----------------------|
| 1       | 532 18 41-05 | IMPELLER             |
| 2       | 584 64 83-01 | GEARBOX ASSEMBLY     |
| 3       | 532 18 89-09 | BEARING              |
| 4       | 585 09 32-01 | IMPELLER PULLEY      |
| 5       | 585 05 69-01 | DISCHARGE BASE       |
| 6       | 532 18 40-95 | CORNER BRACKET       |
| 7       | 532 19 21-99 | CLEAN OUT TOOL       |
| 8       | 532 40 54-00 | TOOL CLIP            |
| 9       | 873 80 04-00 | NUT 1/4-20           |
| 10      | 874 78 04-26 | SCREW 1/4-20 X .625  |
| 11      | 532 42 79-42 | NUT 5/16-18          |
| 12      | 532 16 31-83 | SCREW 5/16-18 X .625 |
| 13      | 532 18 03-55 | CARRIAGE BOLT        |
| 14      | 532 19 41-89 | SCREW 13-16 X .625   |
| 15      | 532 40 77-60 | PLUG                 |
| 16      | 532 42 73-02 | GEARBOX COVER RH     |
| 17      | 532 42 73-45 | GASKET               |
| 18      | 532 40 77-70 | SEAL                 |
| 19      | 532 40 77-62 | BEARING              |
| 20      | 532 17 46-97 | THRUST WASHER 1.00   |
| 21      | 580 36 41-01 | WORM GEAR            |
| 22      | 532 40 77-64 | AUGER SHAFT          |
| 23      | 532 18 92-82 | SQUARE KEY           |
| 24      | 532 40 77-58 | BEARING              |
| 25      | 532 17 46-83 | THRUST WASHER        |
| 26      | 584 64 84-01 | IMPELLER SHAFT       |
| 27      | 532 18 42-05 | ROLL PIN             |
| 28      | 532 17 46-81 | THRUST WASHER        |
| 29      | 532 17 46-84 | THRUST BEARING       |
| 30      | 532 40 77-69 | BEARING              |
| 31      | 532 40 77-68 | O-RING               |
| 32      | 532 40 77-67 | SCREW 5/16-18 X .750 |
| 33      | 532 42 73-17 | GEARBOX COVER LH     |
| 34      | 532 19 20-90 | SHEAR BOLT           |

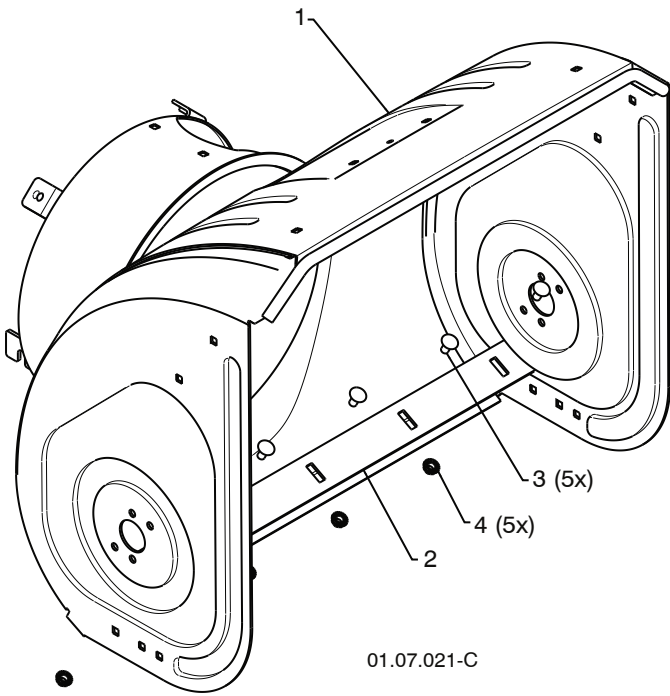
**NOTE:** All component dimensions given in U.S. inches. 1 inch = 25.4 mm

**IMPORTANT:** Use only Original Equipment Manufacturer (O.E.M.) replacement parts. Failure to do so could be hazardous, damage your snow thrower and void your warranty.

# REPAIR PARTS

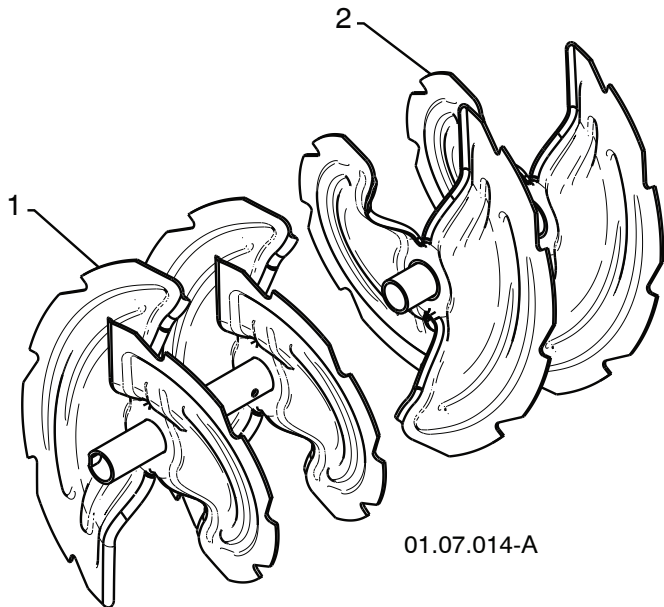
# AUGER HOUSING / IMPELLER ASSEMBLY

SNOW THROWER - MODEL NO. **ST 261E** (96191003010), PRODUCT NO. 961 91 00-30



01.07.021-C

| KEY NO. | PART NO.     | DESCRIPTION                     |
|---------|--------------|---------------------------------|
| 1       | 532 42 93-45 | AUGER HOUSING                   |
| 2       | 532 40 78-25 | SCRAPER BAR                     |
| 3       | 872 27 05-05 | CARRIAGE BOLT<br>5/16-18 X .625 |
| 4       | 532 15 53-77 | NUT 5/16-18                     |



01.07.014-A

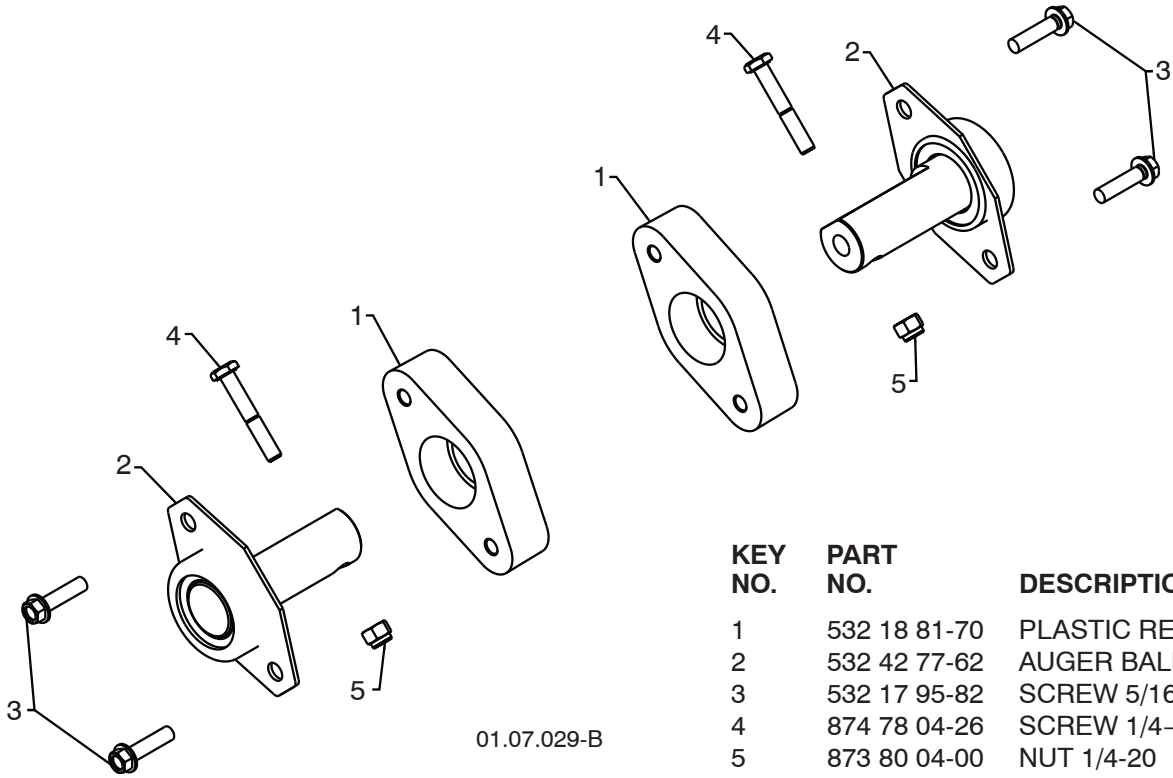
| KEY NO. | PART NO.     | DESCRIPTION          |
|---------|--------------|----------------------|
| 1       | 532 42 21-03 | AUGER ASSEMBLY 24 LH |
| 2       | 532 42 21-04 | AUGER ASSEMBLY 24 RH |

**NOTE:** All component dimensions given in U.S. inches. 1 inch = 25.4 mm  
**IMPORTANT:** Use only Original Equipment Manufacturer (O.E.M.) replacement parts.  
 Failure to do so could be hazardous, damage your snow thrower and void your warranty.

# REPAIR PARTS

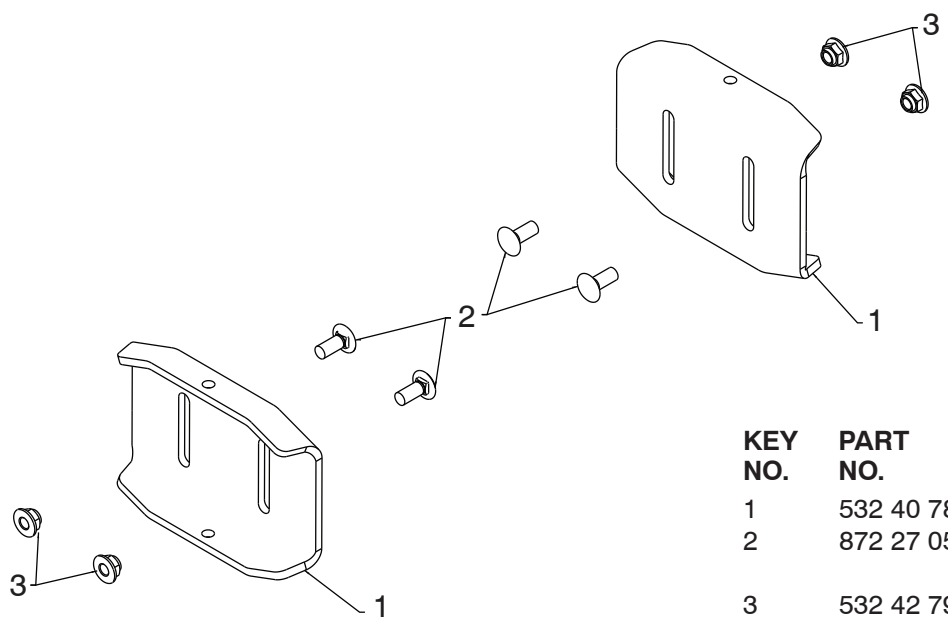
# AUGER HOUSING / IMPELLER ASSEMBLY

SNOW THROWER - MODEL NO. **ST 261E** (96191003010), PRODUCT NO. 961 91 00-30



01.07.029-B

| KEY NO. | PART NO.     | DESCRIPTION          |
|---------|--------------|----------------------|
| 1       | 532 18 81-70 | PLASTIC RETAINER     |
| 2       | 532 42 77-62 | AUGER BALL BEARING   |
| 3       | 532 17 95-82 | SCREW 5/16-18 X 1.00 |
| 4       | 874 78 04-26 | SCREW 1/4-20 X .625  |
| 5       | 873 80 04-00 | NUT 1/4-20           |



01.11.002-C

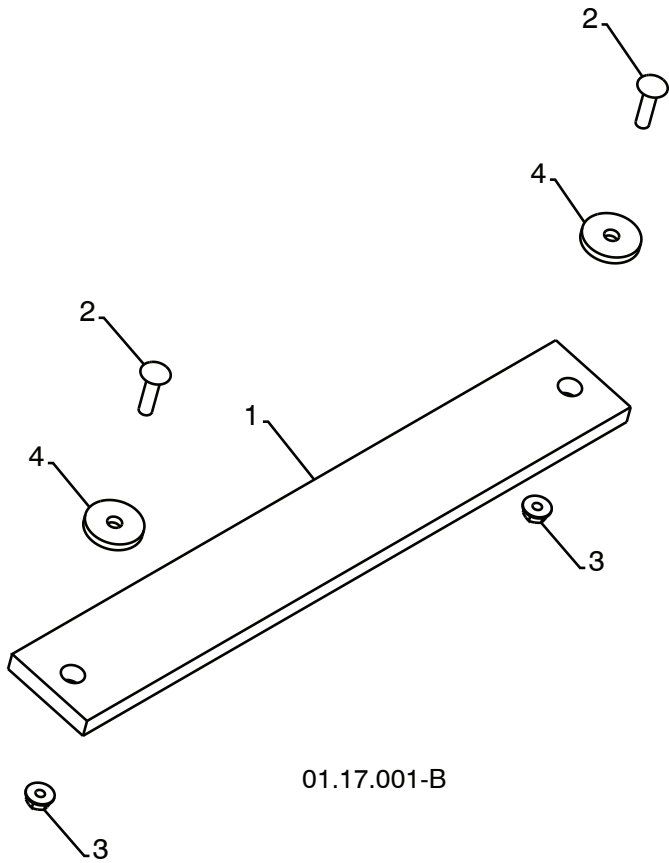
| KEY NO. | PART NO.     | DESCRIPTION                  |
|---------|--------------|------------------------------|
| 1       | 532 40 78-34 | SKID PLATE                   |
| 2       | 872 27 05-06 | CARRIAGE BOLT 5/16-18 X .750 |
| 3       | 532 42 79-42 | NUT 5/16-18                  |

**NOTE:** All component dimensions given in U.S. inches. 1 inch = 25.4 mm  
**IMPORTANT:** Use only Original Equipment Manufacturer (O.E.M.) replacement parts. Failure to do so could be hazardous, damage your snow thrower and void your warranty.

# REPAIR PARTS

# AUGER HOUSING / IMPELLER ASSEMBLY

SNOW THROWER - MODEL NO. **ST 261E** (96191003010), PRODUCT NO. 961 91 00-30



| KEY NO. | PART NO.     | DESCRIPTION                     |
|---------|--------------|---------------------------------|
| 1       | 532 18 25-13 | WEIGHT BAR                      |
| 2       | 872 11 05-10 | CARRIAGE BOLT<br>5/16-18 X 1.25 |
| 3       | 532 75 11-53 | NUT 5/16-18                     |
| 4       | 819 11 22-06 | WASHER                          |

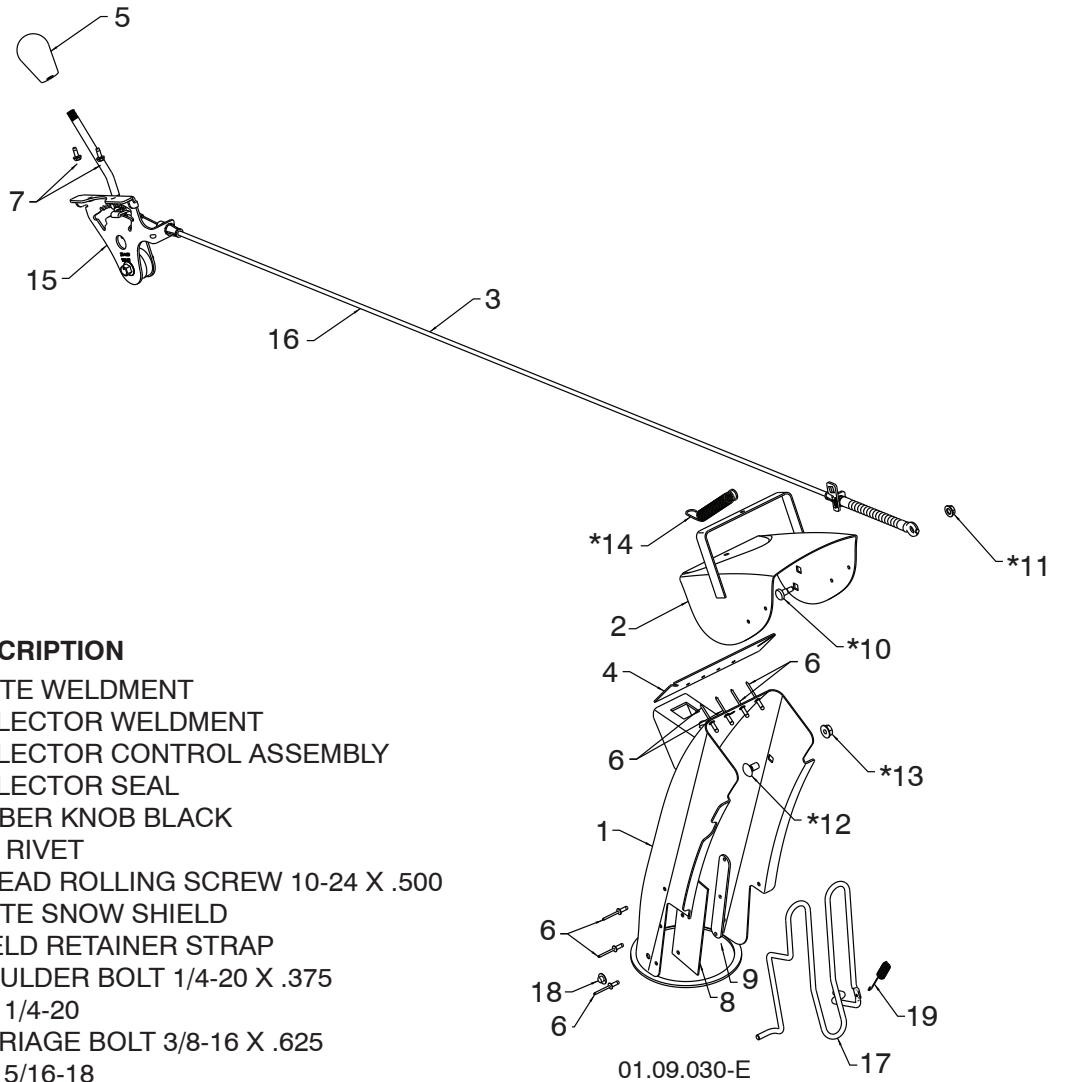
01.17.001-B

**NOTE:** All component dimensions given in U.S. inches. 1 inch = 25.4 mm  
**IMPORTANT:** Use only Original Equipment Manufacturer (O.E.M.) replacement parts.  
Failure to do so could be hazardous, damage your snow thrower and void your warranty.

# REPAIR PARTS

# CONTROL PANEL / DISCHARGE CHUTE

SNOW THROWER - MODEL NO. **ST 261E** (96191003010), PRODUCT NO. 961 91 00-30



| KEY NO. | PART NO.     | DESCRIPTION                          |
|---------|--------------|--------------------------------------|
| 1       | 532 44 40-41 | CHUTE WELDMENT                       |
| 2       | 532 18 41-13 | DEFLECTOR WELDMENT                   |
| 3       | 587 03 08-01 | DEFLECTOR CONTROL ASSEMBLY           |
| 4       | 532 42 03-25 | DEFLECTOR SEAL                       |
| 5       | 580 67 32-01 | RUBBER KNOB BLACK                    |
| 6       | 532 12 84-15 | POP RIVET                            |
| 7       | 817 54 10-08 | THREAD ROLLING SCREW 10-24 X .500    |
| 8       | 532 43 03-24 | CHUTE SNOW SHIELD                    |
| 9       | 532 42 17-28 | SHIELD RETAINER STRAP                |
| *10     | 532 17 98-29 | SHOULDER BOLT 1/4-20 X .375          |
| *11     | 532 19 17-30 | NUT 1/4-20                           |
| *12     | 585 83 20-01 | CARRIAGE BOLT 3/8-16 X .625          |
| *13     | 532 75 11-53 | NUT 5/16-18                          |
| *14     | 532 18 45-05 | DEFLECTOR SPRING                     |
| 15      | 532 42 06-79 | (SERVICE PART) DEFLECTOR CONTROL     |
| 16      | 587 03 09-01 | (SERVICE PART) DEFLECTOR CABLE BLACK |
| 17      | 532 43 55-82 | CHUTE GUARD                          |
| 18      | 532 05 93-49 | PUSH NUT                             |
| 19      | 532 43 56-16 | SPRING                               |

**NOTE:**

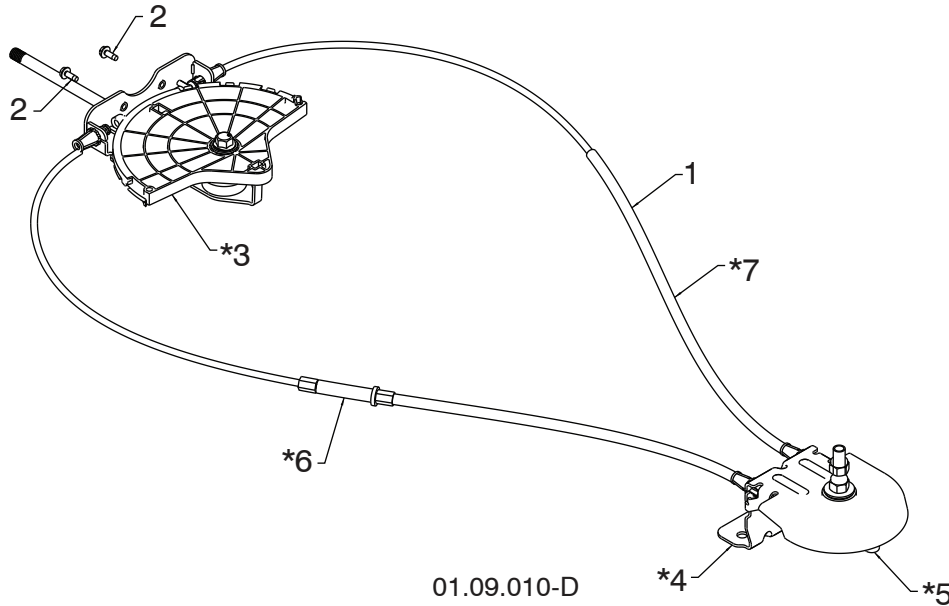
1. ALL ITEMS INDICATED WITH AN \* ARE PROVIDED IN THE BAG OF ITEMS SHIPPED LOOSE WITH PRODUCT.
2. ITEMS 15 AND 16 ARE SERVICE PART NUMBERS TO ALLOW PURCHASE OF INDIVIDUAL ITEMS IF NECESSARY.

**NOTE:** All component dimensions given in U.S. inches. 1 inch = 25.4 mm  
**IMPORTANT:** Use only Original Equipment Manufacturer (O.E.M.) replacement parts.  
 Failure to do so could be hazardous, damage your snow thrower and void your warranty.

# REPAIR PARTS

# CONTROL PANEL / DISCHARGE CHUTE

SNOW THROWER - MODEL NO. **ST 261E** (96191003010), PRODUCT NO. 961 91 00-30



| KEY NO. | PART NO.     | DESCRIPTION                       |
|---------|--------------|-----------------------------------|
| 1       | 532 42 82-72 | LEVER/CABLE ROTATOR ASSEMBLY      |
| 2       | 817 54 10-08 | THREAD ROLLING SCREW 10-24 X .500 |
| *3      | 532 42 06-78 | ROTATOR HEAD                      |
| *4      | 585 19 92-01 | ROTATOR PIVOT BRACKET             |
| *5      | 532 42 06-75 | PULLEY PIVOT                      |
| *6      | 532 42 82-73 | CABLE ASSEMBLY ADJUSTABLE         |
| *7      | 532 42 83-10 | CABLE ASSEMBLY HEAT SHIELD        |

### NOTES:

1. ITEMS INDICATED WITH AN \* ARE LISTED AS REFERENCE FOR SERVICE PARTS ONLY.

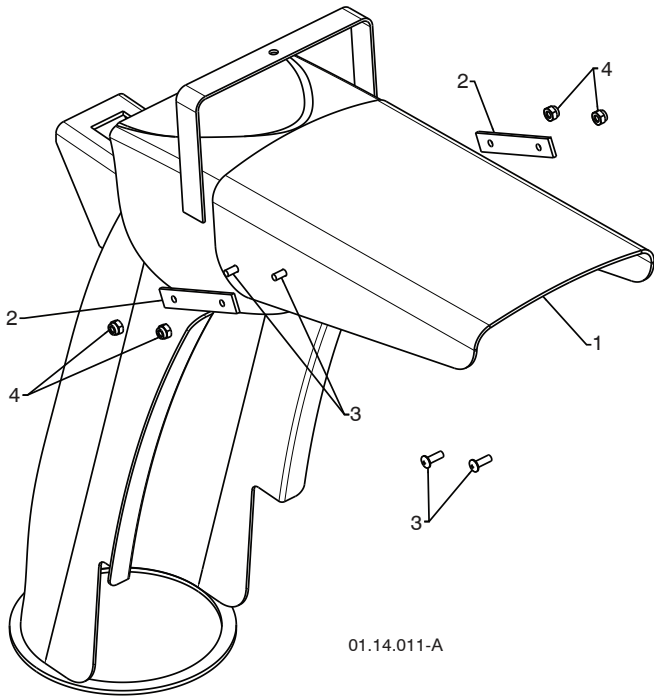
**NOTE:** All component dimensions given in U.S. inches. 1 inch = 25.4 mm  
**IMPORTANT:** Use only Original Equipment Manufacturer (O.E.M.) replacement parts. Failure to do so could be hazardous, damage your snow thrower and void your warranty.



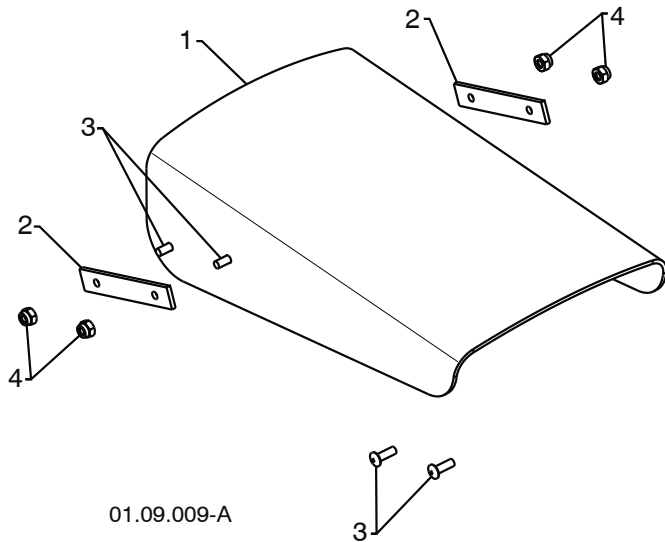
# REPAIR PARTS

# CONTROL PANEL / DISCHARGE CHUTE

SNOW THROWER - MODEL NO. **ST 261E** (96191003010), PRODUCT NO. 961 91 00-30



| KEY NO. | PART NO.     | DESCRIPTION      |
|---------|--------------|------------------|
| 1       | 532 42 11-38 | SHIELD DEFLECTOR |
| 2       | 532 42 32-47 | STRAP            |
| 3       | 532 18 22-27 | SCREW 8-32 X .50 |
| 4       | 532 18 22-28 | NUT 8-32         |



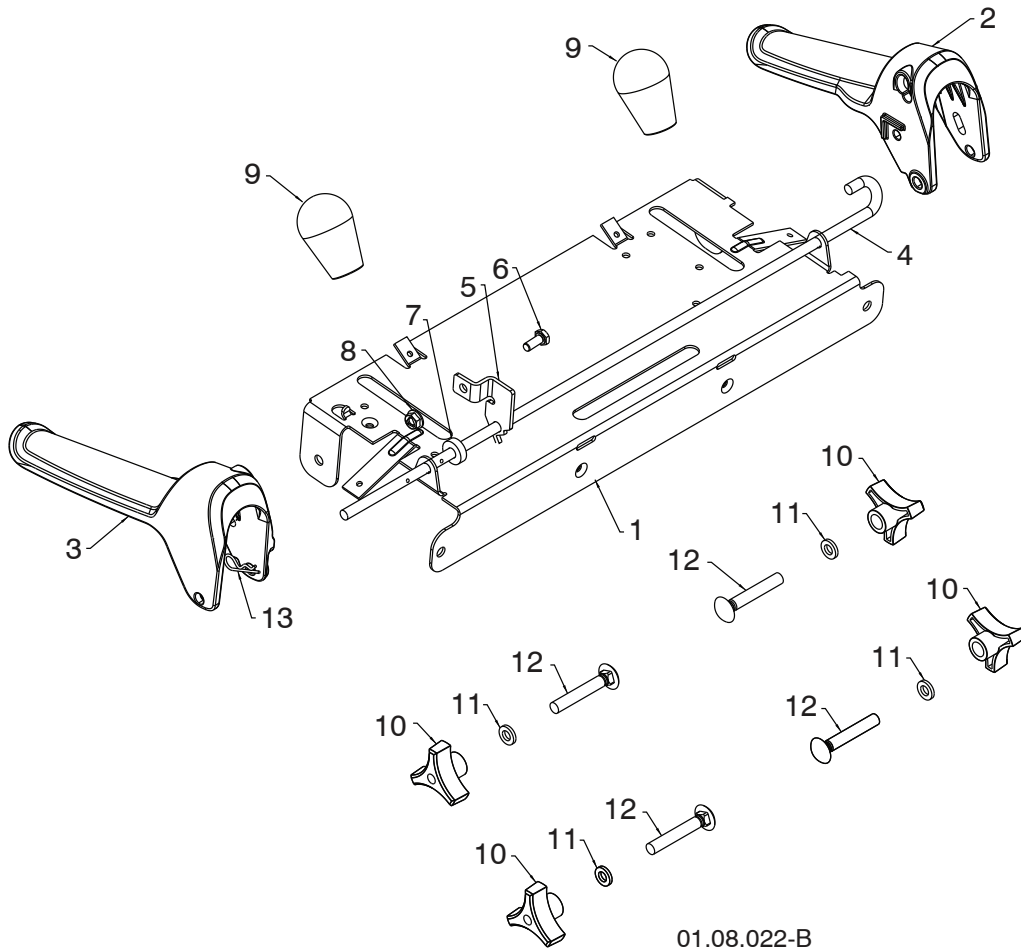
| KEY NO. | PART NO.     | DESCRIPTION      |
|---------|--------------|------------------|
| 1       | 532 42 11-38 | SHIELD DEFLECTOR |
| 2       | 532 42 32-47 | STRAP            |
| 3       | 532 18 22-27 | SCREW 8-32 X .50 |
| 4       | 532 18 22-28 | NUT 8-32         |

**NOTE:** All component dimensions given in U.S. inches. 1 inch = 25.4 mm  
**IMPORTANT:** Use only Original Equipment Manufacturer (O.E.M.) replacement parts.  
 Failure to do so could be hazardous, damage your snow thrower and void your warranty.

# REPAIR PARTS

# HANDLES

SNOW THROWER - MODEL NO. **ST 261E** (96191003010), PRODUCT NO. 961 91 00-30



01.08.022-B

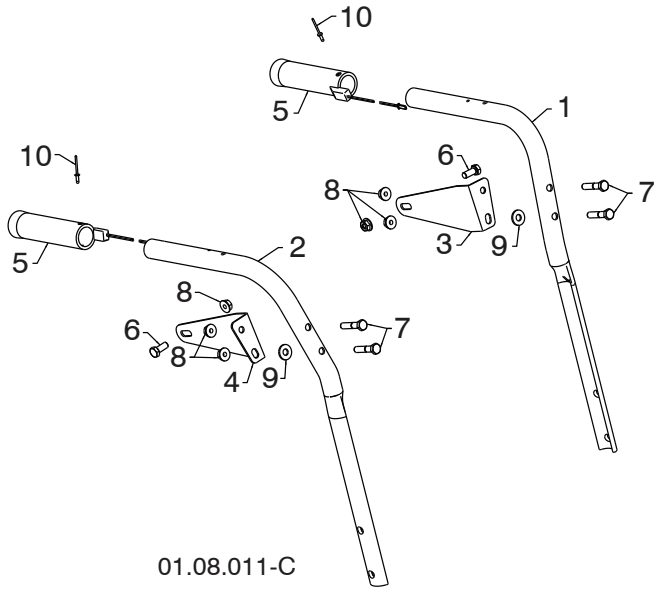
| KEY NO. | PART NO.     | DESCRIPTION                  |
|---------|--------------|------------------------------|
| 1       | 585 19 88-02 | CONTROL PANEL                |
| 2       | 581 77 98-01 | LH CONTROL LEVER             |
| 3       | 581 77 97-01 | RH CONTROL LEVER             |
| 4       | 584 80 90-01 | INTERLOCK CONTROL ROD        |
| 5       | 585 00 47-03 | INTERLOCK BRACKET            |
| 6       | 874 78 04-10 | 1/4-20 X .625 HEX HEAD SCREW |
| 7       | 532 42 16-13 | SPACER                       |
| 8       | 532 08 83-49 | 1/4-20 FLANGE NUT (TOP LOCK) |
| 9       | 580 67 32-01 | KNOB SOFT TOUCH              |
| 10      | 532 17 88-99 | HANDLE KNOB                  |
| 11      | 819 13 13-16 | 3/8 WASHER                   |
| 12      | 872 12 06-18 | CARRIAGE BOLT 3/8-16 X 2.25  |
| 13      | 532 16 96-75 | RETAINER                     |

**NOTE:** All component dimensions given in U.S. inches. 1 inch = 25.4 mm  
**IMPORTANT:** Use only Original Equipment Manufacturer (O.E.M.) replacement parts. Failure to do so could be hazardous, damage your snow thrower and void your warranty.

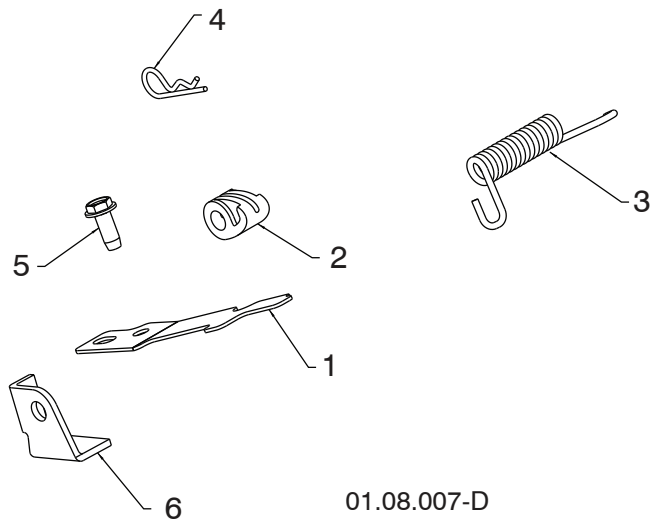
# REPAIR PARTS

# HANDLES

SNOW THROWER - MODEL NO. **ST 261E** (96191003010), PRODUCT NO. 961 91 00-30



| KEY NO. | PART NO.     | DESCRIPTION          |
|---------|--------------|----------------------|
| 1       | 532 42 17-08 | PLOW HANDLE LH       |
| 2       | 532 42 17-09 | PLOW HANDLE RH       |
| 3       | 532 42 91-48 | PANEL BRACKET LH     |
| 4       | 532 42 91-49 | PANEL BRACKET RH     |
| 5       | 532 41 45-15 | HEATED HANDLE GRIP   |
| 6       | 874 78 05-12 | SCREW 5/16-18 X .750 |
| 7       | 874 78 05-24 | SCREW 5/16-18 X 1.50 |
| 8       | 532 75 11-53 | NUT 5/16-18          |
| 9       | 532 15 54-15 | WASHER               |
| 10      | 532 17 87-75 | POP RIVET 1/8        |



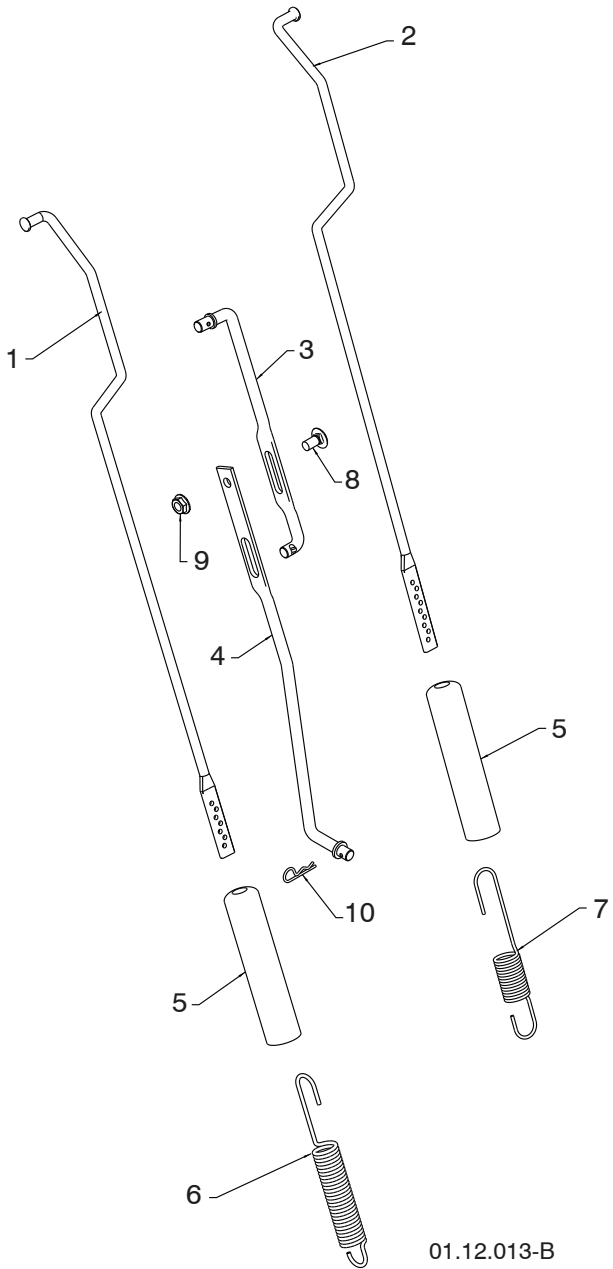
| KEY NO. | PART NO.     | DESCRIPTION         |
|---------|--------------|---------------------|
| 1       | 532 41 62-88 | INTERLOCK SPRING    |
| 2       | 532 44 52-91 | INTERLOCK CAM       |
| 3       | 532 44 32-15 | TORSION SPRING      |
| 4       | 532 16 96-75 | RETAINER            |
| 5       | 817 06 04-10 | SCREW 1/4-20 X .625 |
| 6       | 532 42 18-14 | INTERLOCK STOP      |

**NOTE:** All component dimensions given in U.S. inches. 1 inch = 25.4 mm  
**IMPORTANT:** Use only Original Equipment Manufacturer (O.E.M.) replacement parts. Failure to do so could be hazardous, damage your snow thrower and void your warranty.

# REPAIR PARTS

# HANDLES

SNOW THROWER - MODEL NO. **ST 261E** (96191003010), PRODUCT NO. 961 91 00-30



| KEY NO. | PART NO.     | DESCRIPTION                 |
|---------|--------------|-----------------------------|
| 1       | 584 80 87-01 | ROD IMPELLER CONTROL        |
| 2       | 584 80 88-01 | ROD TRACTION CONTROL        |
| 3       | 532 18 04-45 | SHIFTER ROD TOP             |
| 4       | 532 18 77-16 | SHIFTER ROD BOTTOM          |
| 5       | 532 18 04-47 | SPRING SLEEVE               |
| 6       | 580 79 62-01 | SPRING CONTROL ROD          |
| 7       | 580 80 21-01 | SPRING TRACTION ROD         |
| 8       | 872 27 05-05 | CARRIAGE BOLT 5/16-18 X .75 |
| 9       | 532 15 53-77 | NUT 5/16-18                 |
| 10      | 532 16 96-75 | RETAINER HAIRPIN            |

**NOTE:** HOOK TRACTION ROD SPRING IN HOLE 7  
HOOK IMPELLER ROD SPRING IN HOLE 4

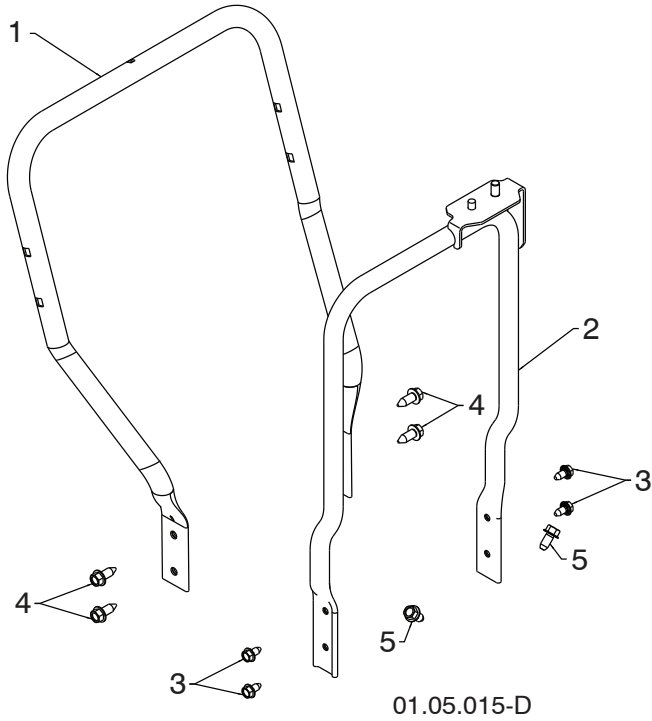
01.12.013-B

**NOTE:** All component dimensions given in U.S. inches. 1 inch = 25.4 mm  
**IMPORTANT:** Use only Original Equipment Manufacturer (O.E.M.) replacement parts.  
Failure to do so could be hazardous, damage your snow thrower and void your warranty.

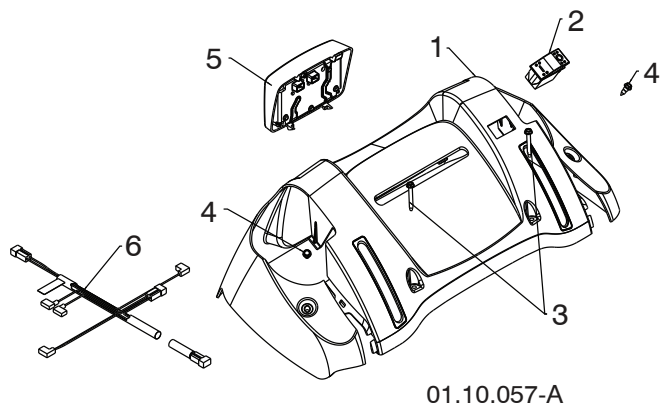
# REPAIR PARTS

# HANDLES

SNOW THROWER - MODEL NO. **ST 261E** (96191003010), PRODUCT NO. 961 91 00-30



| KEY NO. | PART NO.     | DESCRIPTION            |
|---------|--------------|------------------------|
| 1       | 585 23 81-03 | LOWER HANDLE           |
| 2       | 532 44 36-17 | PIVOT SUPPORT WELDMENT |
| 3       | 817 00 05-10 | SCREW 5/16-18 X .750   |
| 4       | 817 00 06-16 | SCREW 3/8-16 X 1.00    |
| 5       | 817 00 06-12 | SCREW 3/8-16 X .750    |



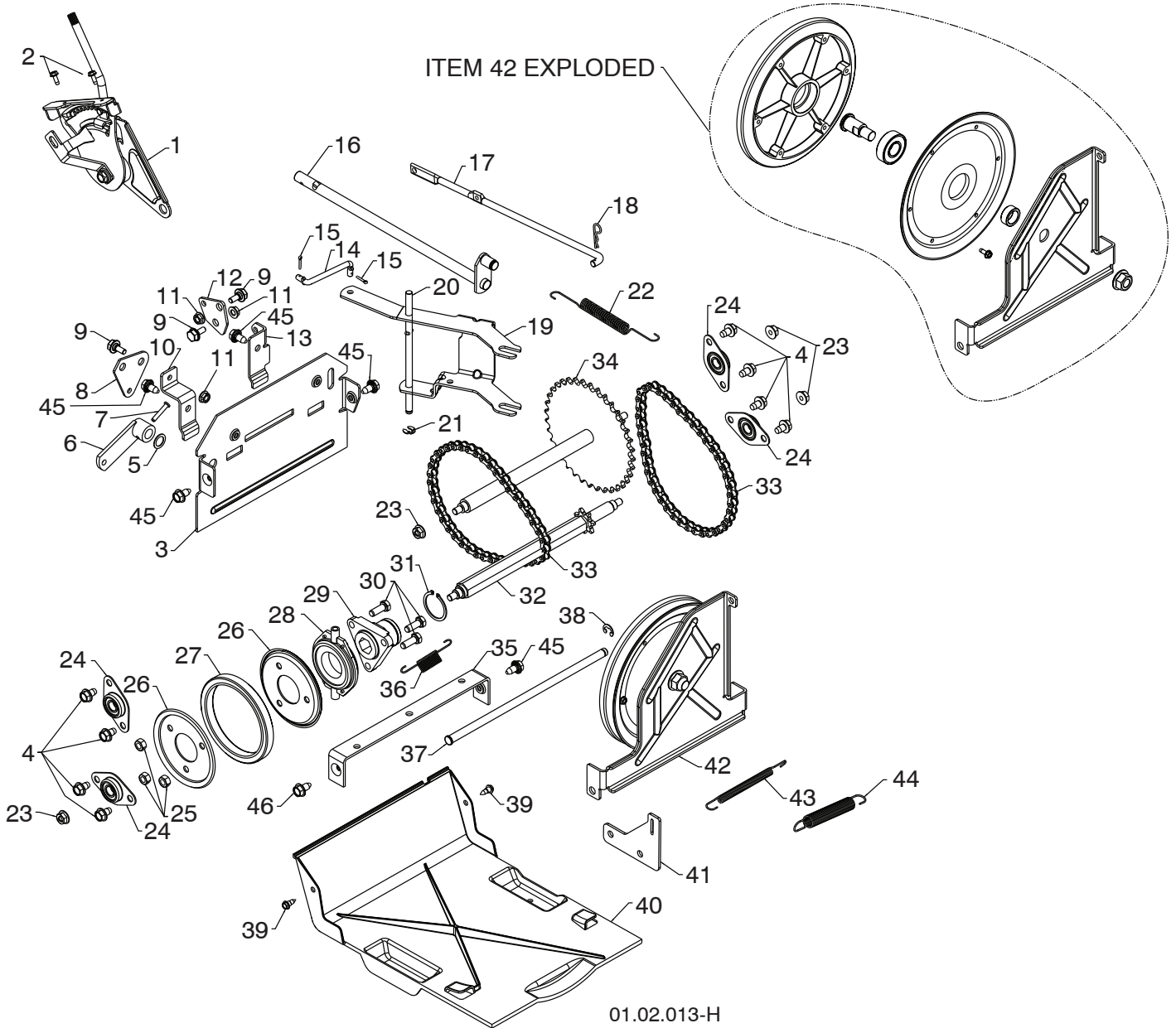
| KEY NO. | PART NO.     | DESCRIPTION                        |
|---------|--------------|------------------------------------|
| 1       | 532 42 13-51 | CONSOLE PANEL                      |
| 2       | 532 41 77-60 | SWITCH GRIP                        |
| 3       | 532 17 52-62 | SCREW HX WHSR HEAD<br>10-24 X 1.25 |
| 4       | 532 18 44-71 | SCREW SHOULDER<br>10-24 X .62      |
| 5       | 581 68 42-01 | LED LIGHT DUAL STAGE GRAY          |
| 6       | 580 62 56-01 | WIRE HARNESS FLOOD / LED<br>HEATED |

**NOTE:** All component dimensions given in U.S. inches. 1 inch = 25.4 mm  
**IMPORTANT:** Use only Original Equipment Manufacturer (O.E.M.) replacement parts.  
 Failure to do so could be hazardous, damage your snow thrower and void your warranty.

# REPAIR PARTS

# DRIVE

SNOW THROWER - MODEL NO. **ST 261E** (96191003010), PRODUCT NO. 961 91 00-30



**NOTE:** All component dimensions given in U.S. inches. 1 inch = 25.4 mm  
**IMPORTANT:** Use only Original Equipment Manufacturer (O.E.M.) replacement parts.  
Failure to do so could be hazardous, damage your snow thrower and void your warranty.

**REPAIR PARTS****DRIVE****SNOW THROWER - MODEL NO. ST 261E (96191003010), PRODUCT NO. 961 91 00-30**

| KEY NO. | PART NO.     | DESCRIPTION                         | KEY NO. | PART NO.     | DESCRIPTION          |
|---------|--------------|-------------------------------------|---------|--------------|----------------------|
| 1       | 532 19 88-75 | SPEED SELECTOR ASSEMBLY             | 24      | 532 40 89-81 | BEARING              |
| 2       | 817 54 10-08 | THRED ROLLING SCREW<br>10-24 X .500 | 25      | 873 93 05-00 | NUT 5/16-18          |
| 3       | 532 43 60-80 | END PLATE                           | 26      | 532 19 95-09 | RUBBER WHEEL PLATE   |
| 4       | 817 49 05-08 | SCREW 5/16-18 X .50                 | 27      | 585 02 10-01 | RUBBER RING          |
| 5       | 532 05 70-79 | WASHER                              | 28      | 532 17 53-44 | BEARING              |
| 6       | 532 40 54-85 | CONTROL ARM                         | 29      | 532 17 86-13 | WHEEL HUB            |
| 7       | 532 19 85-80 | CLEVIS PIN                          | 30      | 874 76 05-14 | SCREW 5/16-18-.875   |
| 8       | 532 41 54-50 | SHIFTER PLATE                       | 31      | 812 00 00-12 | RETAINER RING        |
| 9       | 532 40 28-81 | SHOULDER BOLT                       | 32      | 532 40 21-87 | SPROCKET SHAFT       |
| 10      | 532 41 54-33 | SHIFTER BRACKET                     | 33      | 532 40 16-19 | CHAIN                |
| 11      | 532 19 17-30 | NUT 1/4-20                          | 34      | 532 43 73-03 | SPROCKET WELDMENT    |
| 12      | 532 41 54-35 | CLUTCH PLATE                        | 35      | 532 41 54-29 | SHIFTER BRACKET      |
| 13      | 532 41 68-64 | CLUTCH BRACKET                      | 36      | 532 18 01-35 | SPRING               |
| 14      | 532 18 71-01 | SHIFTER LINK                        | 37      | 532 40 26-52 | PLATE PIVOT ROD      |
| 15      | 532 70 02-79 | RETAINER                            | 38      | 532 42 82-88 | E-RING .375          |
| 16      | 532 42 75-42 | CONTROL SHAFT                       | 39      | 532 18 44-71 | SHOULDER SCREW       |
| 17      | 532 40 25-68 | CLUTCH ROD                          | 40      | 532 41 08-77 | BOTTOM PAN           |
| 18      | 532 16 96-75 | RETAINER                            | 41      | 532 41 66-82 | SPRING BRACKET       |
| 19      | 581 42 25-01 | SHIFTER YOKE                        | 42      | 585 11 12-01 | DRIVE PLATE ASSEMBLY |
| 20      | 532 40 23-10 | PIVOT ROD                           | 43      | 532 41 45-57 | IDLER SPRING         |
| 21      | 812 00 00-36 | RETAINER                            | 44      | 532 17 88-28 | IDLER SPRING         |
| 22      | 532 40 28-78 | RETURN SPRING                       | 45      | 532 42 88-67 | SCREW 5/16-18 X .750 |
| 23      | 532 75 11-53 | NUT 5/16-18                         | 46      | 817 00 05-10 | BOLT 5/16-18 X .625  |

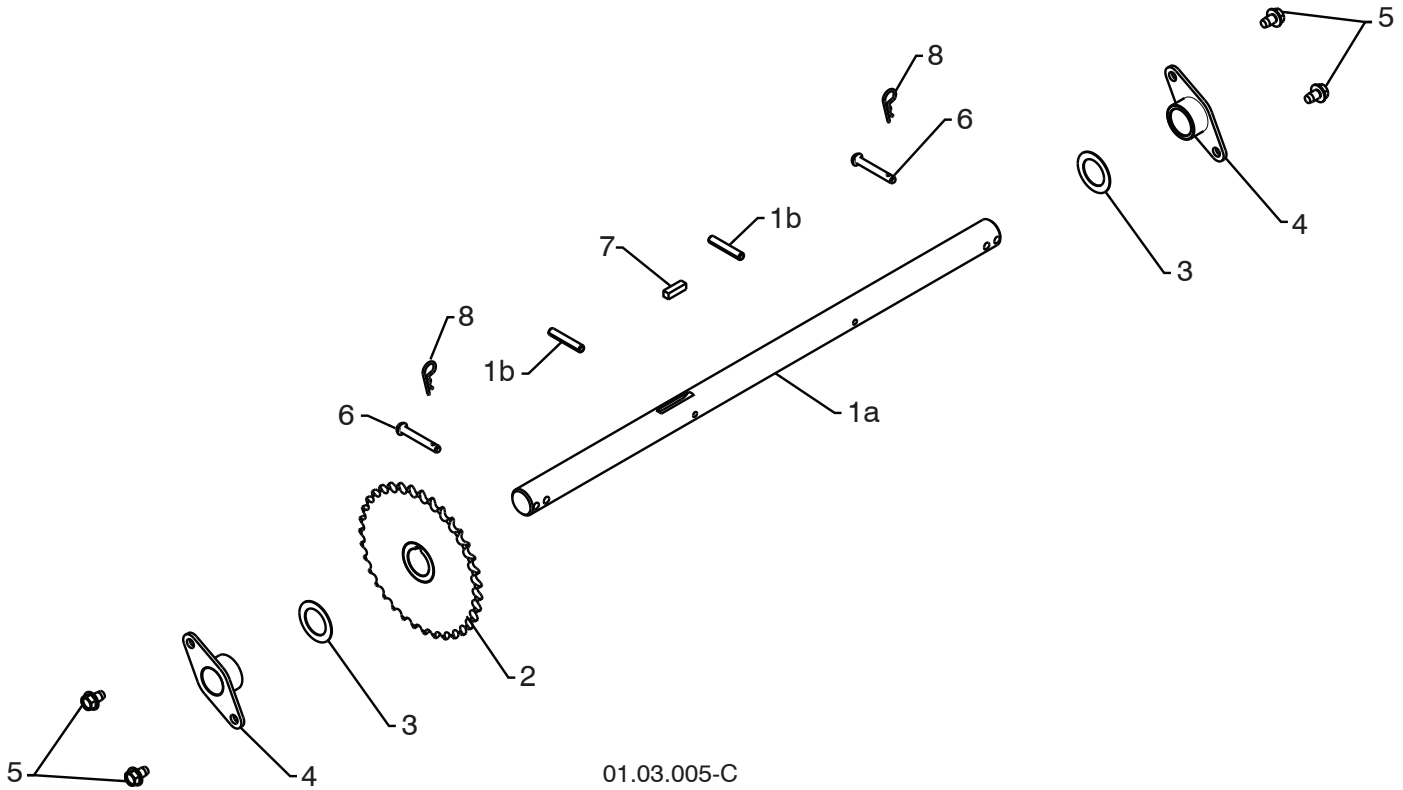
**NOTE:** All component dimensions given in U.S. inches. 1 inch = 25.4 mm

**IMPORTANT:** Use only Original Equipment Manufacturer (O.E.M.) replacement parts. Failure to do so could be hazardous, damage your snow thrower and void your warranty.

# REPAIR PARTS

# DRIVE

SNOW THROWER - MODEL NO. **ST 261E** (96191003010), PRODUCT NO. 961 91 00-30



| KEY NO. | PART NO.     | DESCRIPTION                   |
|---------|--------------|-------------------------------|
| 1       | 532 18 82-26 | (assy of 1a,1b) AXLE ASSEMBLY |
| 1a      | 532 17 93-52 | AXLE SHAFT                    |
| 1b      | 532 18 42-06 | ROLL PIN 3/16                 |
| 2       | 532 40 26-91 | SPROCKET                      |
| 3       | 532 44 49-49 | THRUST WASHER                 |
| 4       | 532 17 98-30 | BEARING                       |
| 5       | 817 49 05-08 | BOLT 5/16-18 X .500           |
| 6       | 532 17 12-71 | PIN                           |
| 7       | 532 18 92-82 | SQUARE KEY                    |
| 8       | 532 12 47-88 | RETAINER PIN                  |

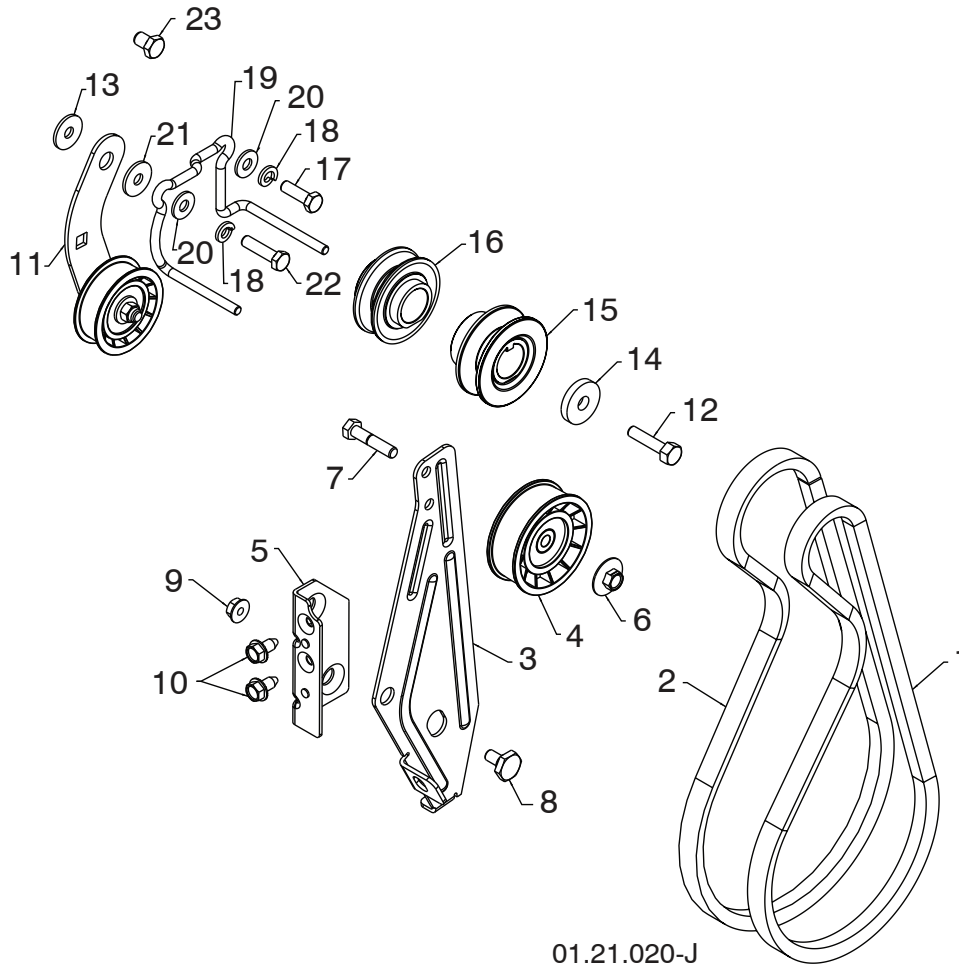
**NOTE:** All component dimensions given in U.S. inches. 1 inch = 25.4 mm  
**IMPORTANT:** Use only Original Equipment Manufacturer (O.E.M.) replacement parts. Failure to do so could be hazardous, damage your snow thrower and void your warranty.



# REPAIR PARTS

# CHASSIS / PULLEYS

SNOW THROWER - MODEL NO. **ST 261E** (96191003010), PRODUCT NO. 961 91 00-30



01.21.020-J

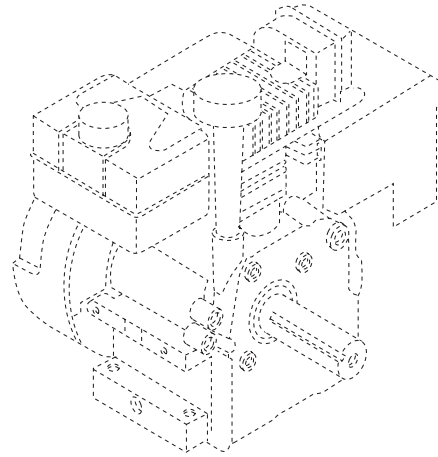
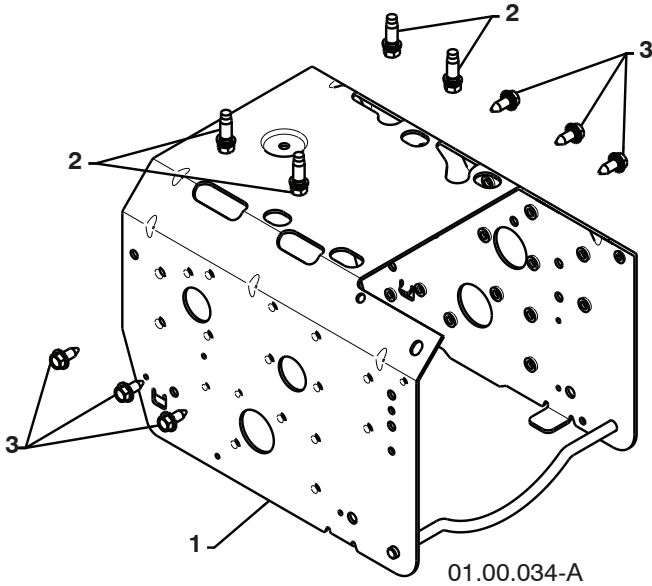
| KEY NO. | PART NO.     | DESCRIPTION                 | KEY NO. | PART NO.     | DESCRIPTION          |
|---------|--------------|-----------------------------|---------|--------------|----------------------|
| 1       | 532 41 98-88 | IMPELLER BELT               | 12      | 532 85 10-84 | SCREW 3/8-24 X 1.375 |
| 2       | 532 42 73-04 | TRACTION BELT               | 13      | 532 05 92-89 | WASHER               |
| 3       | 584 23 24-02 | IDLER ARM BRACKET           | 14      | 819 13 20-05 | WASHER               |
| 4       | 532 18 05-23 | IDLER PULLEY                | 15      | 585 20 02-01 | PULLEY ENG IMPELLER  |
| 5       | 585 28 49-01 | IDLER BRACKET               | 16      | 585 02 93-01 | PULLEY ENG TRACTION  |
| 6       | 532 42 65-89 | NUT 5/16-18                 | 17      | 874 61 05-16 | SCREW 5/16-24 X 1.00 |
| 7       | 874 78 05-24 | SCREW 5/16-18 X 1.50        | 18      | 810 04 05-00 | LOCKWASHER 5/16      |
| 8       | 532 42 42-97 | SHOULDER BOLT 5/16-18 X .50 | 19      | 585 54 05-01 | BELT GUIDE           |
| 9       | 532 75 11-53 | NUT 5/16-18 LOCK            | 20      | 532 15 54-15 | WASHER 5/16          |
| 10      | 817 00 05-10 | SCREW 5/16-18 HEX           | 21      | 532 17 53-31 | IDLER BUSHING        |
| 11      | 585 23 84-01 | TRACTION IDLER BRACKET ASM  | 22      | 874 61 05-20 | SCREW 5/16-24 X 1.25 |
|         |              |                             | 23      | 874 76 06-08 | SCREW 3/8-16 X .500  |

**NOTE:** All component dimensions given in U.S. inches. 1 inch = 25.4 mm  
**IMPORTANT:** Use only Original Equipment Manufacturer (O.E.M.) replacement parts. Failure to do so could be hazardous, damage your snow thrower and void your warranty.

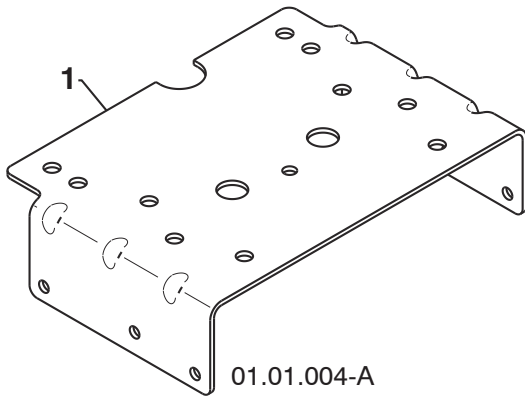
# REPAIR PARTS

# CHASSIS / PULLEYS

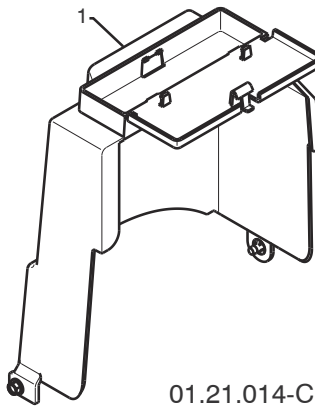
SNOW THROWER - MODEL NO. **ST 261E** (96191003010), PRODUCT NO. 961 91 00-30



| KEY NO. | PART NO.     | DESCRIPTION                         |
|---------|--------------|-------------------------------------|
| --      | 532 43 71-99 | COMPLETE LCT ENGINE PW2HK19850781DY |
| 1       | 532 43 59-52 | FRAME                               |
| 2       | 532 15 04-06 | BOLT 3/8-16                         |
| 3       | 532 42 88-67 | SCREW 5/16-18 X .750                |



| KEY NO. | PART NO.     | DESCRIPTION           |
|---------|--------------|-----------------------|
| 1       | 532 43 59-52 | ENGINE MOUNTING PLATE |



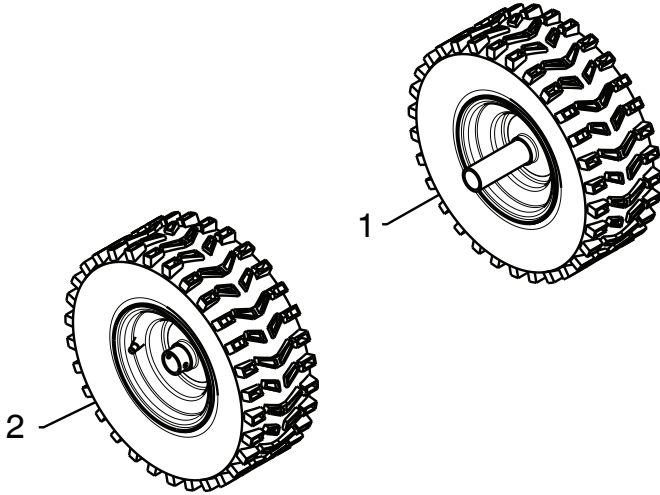
| KEY NO. | PART NO.     | DESCRIPTION    |
|---------|--------------|----------------|
| 1       | 532 42 86-85 | COVER ASSEMBLY |

**NOTE:** All component dimensions given in U.S. inches. 1 inch = 25.4 mm  
**IMPORTANT:** Use only Original Equipment Manufacturer (O.E.M.) replacement parts. Failure to do so could be hazardous, damage your snow thrower and void your warranty.

# REPAIR PARTS

# WHEELS

SNOW THROWER - MODEL NO. **ST 261E** (96191003010), PRODUCT NO. 961 91 00-30



| KEY NO. | PART NO.     | DESCRIPTION          |
|---------|--------------|----------------------|
| 1       | 532 43 65-15 | WHEEL 16 X 4.80 X LH |
| 2       | 532 43 65-16 | WHEEL 16 X 4.80 X RH |

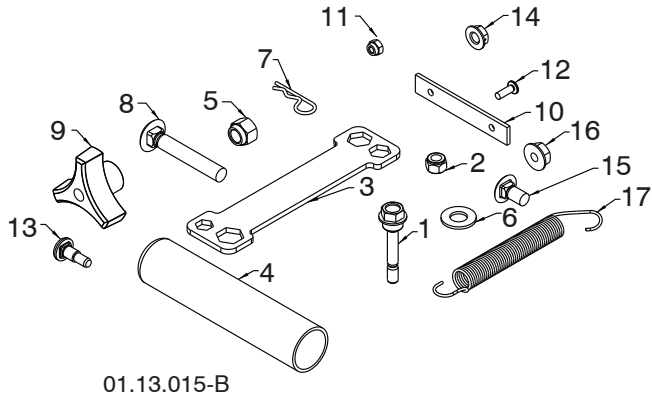
01.06.010-A

**NOTE:** All component dimensions given in U.S. inches. 1 inch = 25.4 mm  
**IMPORTANT:** Use only Original Equipment Manufacturer (O.E.M.) replacement parts.  
Failure to do so could be hazardous, damage your snow thrower and void your warranty.

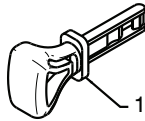
# REPAIR PARTS

# BAG OF PARTS

## SNOW THROWER - MODEL NO. ST 261E (96191003010), PRODUCT NO. 961 91 00-30

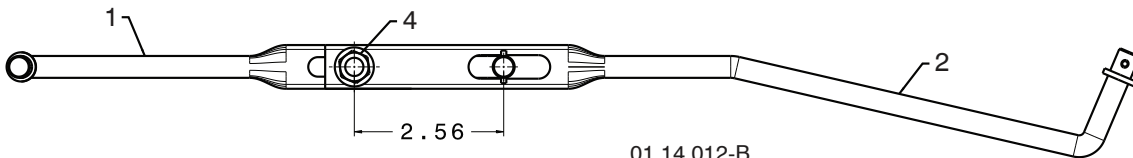
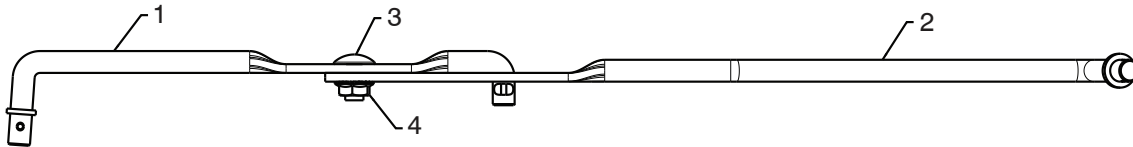


| KEY NO. | PART NO.     | DESCRIPTION          |
|---------|--------------|----------------------|
| 1       | 585 51 18-01 | SCREW 1/4-20 X 1.81  |
| 2       | 873 80 04-00 | NUT 1/4-20           |
| 3       | 532 42 91-12 | WRENCH               |
| 4       | 532 18 04-47 | SPRING SLEEVE        |
| 5       | 873 80 06-00 | NUT HEX 3/8-16       |
| 6       | 819 13 13-16 | WASHER 3/8 SAE       |
| 7       | 532 16 96-75 | RETAINER HAIRPIN     |
| 8       | 872 12 06-18 | BOLT 3/8-16 X 2.25   |
| 9       | 532 17 88-99 | KNOB 3/8 TRI-LOBE    |
| 10      | 532 42 32-47 | STRAP DEFLECTOR      |
| 11      | 532 18 22-28 | NUT #8               |
| 12      | 532 18 22-27 | SCREW #8 MACH        |
| 13      | 532 17 98-29 | BOLT SHOULDER        |
| 14      | 532 19 17-30 | NUT HEX 1/4-20 CTR   |
| 15      | 585 83 20-01 | BOLT 5/16-18 X .625  |
| 16      | 532 75 11-53 | NUT HEX 5/16-18      |
| 17      | 532 18 45-05 | SPRING DEFLECT CHUTE |



01.14.009-B

| KEY NO. | PART NO.     | DESCRIPTION             |
|---------|--------------|-------------------------|
| 1       | 532 44 30-59 | SAFETY IGNITION KEY KIT |



01.14.012-B

| KEY NO. | PART NO.     | DESCRIPTION                 |
|---------|--------------|-----------------------------|
| 1       | 532 18 04-45 | SHIFTER ROD TOP             |
| 2       | 532 18 77-16 | SHIFTER ROD BOTTOM          |
| 3       | 872 27 05-05 | CARRIAGE BOLT 5/16-18 X .75 |
| 4       | 532 15 53-77 | NUT 5/16-18                 |

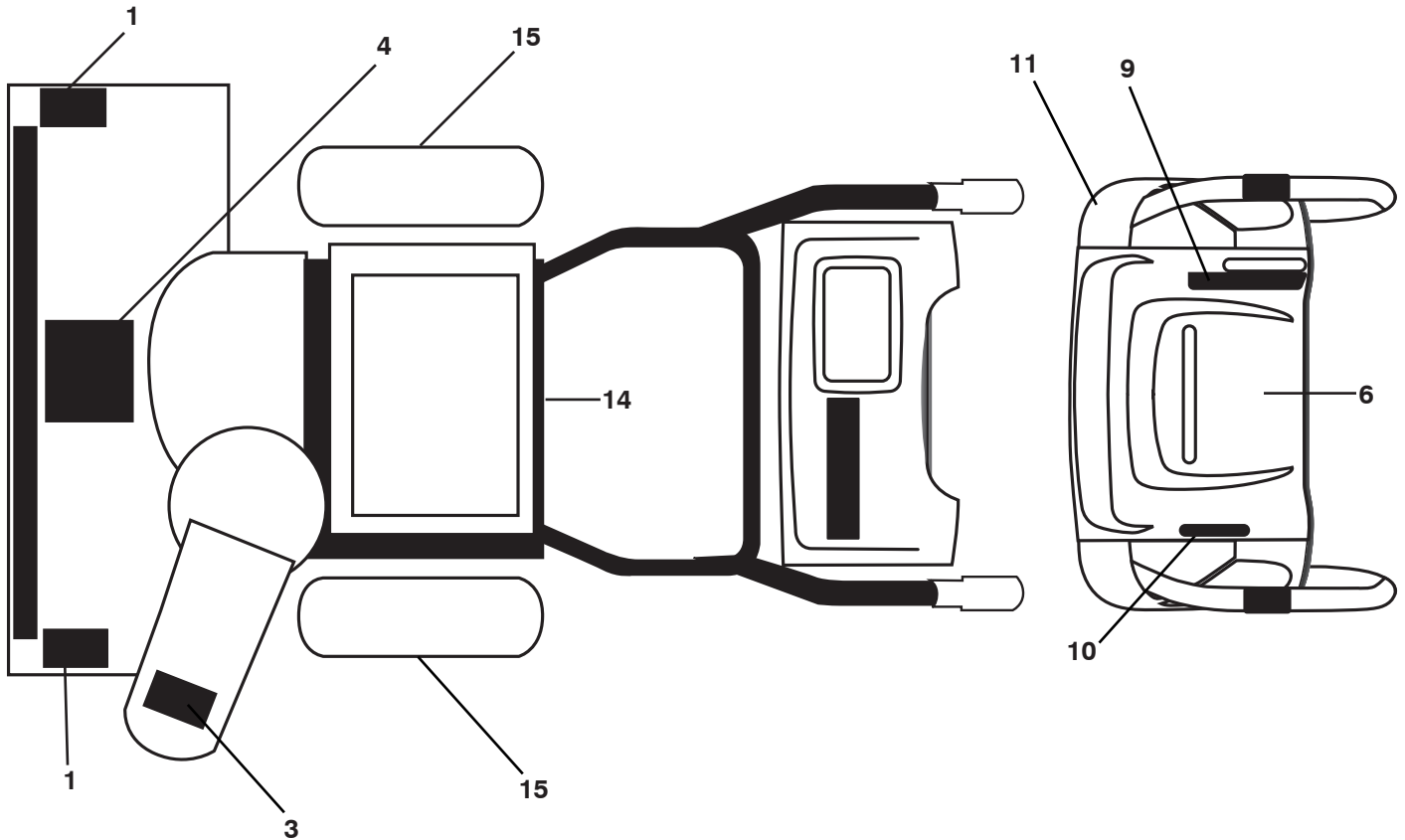
**NOTE:** All component dimensions given in U.S. inches. 1 inch = 25.4 mm

**IMPORTANT:** Use only Original Equipment Manufacturer (O.E.M.) replacement parts. Failure to do so could be hazardous, damage your snow thrower and void your warranty.

# REPAIR PARTS

# DECALS

SNOW THROWER - MODEL NO. **ST 261E** (96191003010), PRODUCT NO. 961 91 00-30



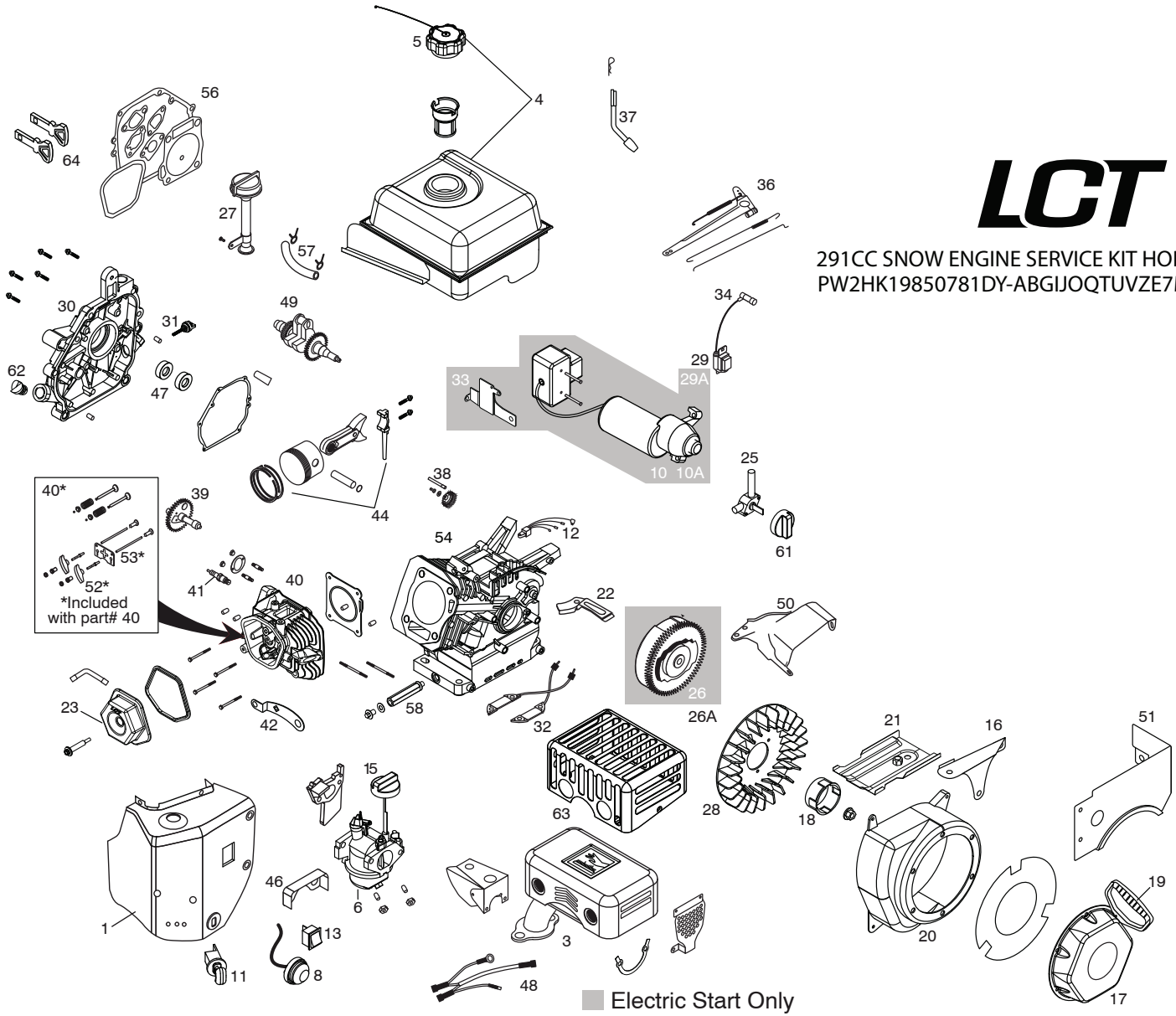
**KEY PART NO. NO.**

**DESCRIPTION**

|    |              |                                 |
|----|--------------|---------------------------------|
| 1  | 532 19 96-83 | DECAL, DANGER                   |
| 3  | 532 19 96-82 | DECAL, DANGER, DEFLECTOR        |
| 4  | 532 18 40-45 | DECAL, DANGER                   |
| 6  | 532 42 95-75 | DECAL, INSTRUCTION              |
| 9  | 585 76 87-02 | DECAL, LH                       |
| 10 | 585 76 87-01 | DECAL, RH                       |
| 11 | 532 44 47-68 | DECAL, HANDWARMER               |
| 14 | 532 18 04-33 | DECAL, SOUND LEVEL              |
| 15 | 532 18 40-28 | DECAL, BELT GUARD               |
| -- | 115 71 89-20 | OPERATOR'S MANUAL, EUROPEAN     |
| -- | 115 71 89-10 | OPERATOR'S MANUAL, SCANDINAVIAN |
| -- | 115 71 89-30 | OPERATOR'S MANUAL, EAST BLOC    |
| -- | 115 71 89-40 | OPERATOR'S MANUAL, BALTIC       |

**NOTE:** All component dimensions given in U.S. inches. 1 inch = 25.4 mm

**IMPORTANT:** Use only Original Equipment Manufacturer (O.E.M.) replacement parts. Failure to do so could be hazardous, damage your snow thrower and void your warranty.



**LCT**

291CC SNOW ENGINE SERVICE KIT HOP  
 PW2HK19850781DY-ABGIJOQTUVZE7M

**ENGINE, LCT****COMPLETE ENGINE-437199**

| <b>KEY PART NO.</b> | <b>PART NO.</b> | <b>DESCRIPTION</b>                           | <b>KEY PART NO.</b> | <b>PART NO.</b> | <b>DESCRIPTION</b>              |
|---------------------|-----------------|--|---------------------|-----------------|---------------------------------|
| 1                   | 532 42 92-06    | Heater Box Assembly-Snow                     | 29A                 | 532 44 39-44    | Ignition Coil (CDI)(Integrated) |
| 3                   | 532 42 92-08    | Muffler Assembly-Snow                        | 30                  | 532 42 92-41    | Crankcase Cover Assy            |
| 4                   | 532 43 48-89    | Fuel Tank Assembly-Snow                      | 31                  | 532 43 55-34    | Black Oil Dipstick              |
| 5                   | 532 42 92-11    | Fuel Tank Cap-Oversized (Click Style)-Snow   | 32                  | 532 42 92-43    | Charging Coil AC/DC             |
| 6                   | 532 42 92-15    | Carburetor Assembly-Snow                     | 33                  | 532 42 92-90    | Electric Starter Bracket        |
| 8                   | 532 42 92-18    | Primer Bulb Assembly w Hose-Snow             | 34                  | 532 43 69-66    | Spark Plug Boot                 |
| 10                  | 532 42 92-20    | Electric Starter Assembly-Snow               | 36                  | 532 42 92-48    | Governor Arm Assy               |
| 10A                 | 532 43 74-63    | European 230V Electric Starter               | 37                  | 532 42 92-50    | Governor Shaft                  |
| 11                  | 532 42 92-21    | Key Switch Assembly-Snow                     | 38                  | 532 42 92-92    | Governor Gear Assembly          |
| 12                  | 532 42 92-22    | CDI box Assembly-Snow                        | 39                  | 532 42 92-53    | Camshaft                        |
| 13                  | 532 42 92-23    | Run/stop Switch-Snow                         | 40                  | 532 42 92-54    | Cylinder Head Assy              |
| 15                  | 532 42 92-24    | Choke Knob-Snow                              | 41                  | 532 42 92-55    | Spark Plug                      |
| 16                  | 532 42 92-25    | Governor Linkage Shield Plate-Snow           | 42                  | 532 42 92-57    | CDI Box Bracket-Snow            |
| 17                  | 532 42 92-26    | Recoil Starter Assembly-Snow                 | 44                  | 532 42 92-58    | Piston And Rod Assy             |
| 18                  | 532 42 92-27    | Starter Cup Small-Snow                       | 46                  | 532 42 92-13    | Vapor Shield                    |
| 19                  | 532 42 92-28    | Starter Grip-Snow                            | 47                  | 532 42 96-11    | Seal Kit                        |
| 20                  | 532 42 92-29    | Blower Housing Assembly, Electric Start-Snow | 48                  | 532 42 92-84    | Wire Harness                    |
| 21                  | 532 42 92-31    | Shield, Cylinder                             | 49                  | 532 42 92-85    | Crankshaft                      |
| 22                  | 532 42 92-32    | Shield, Under Flywheel Charging System-Snow  | 50                  | 532 43 55-79    | Top Shield                      |
| 23                  | 532 42 93-03    | Valve Cover                                  | 51                  | 532 42 92-87    | Fuel Tank Skirt                 |
| 25                  | 532 42 92-34    | Fuel Petcock, Snow                           | 52                  | 532 42 96-12    | Rocker Arm Kit                  |
| 26                  | 532 42 92-88    | Flywheel Assembly, Electric Start-Snow       | 53                  | 532 42 96-13    | Push Rod Tappet Kit             |
| 26A                 | 532 42 92-89    | Flywheel Assembly, Manual Start-Snow         | 54                  | 532 42 96-14    | Cylinder Assy                   |
| 27                  | 532 42 92-37    | High Oil Fill Assy Kit, Snow                 | 56                  | 532 42 96-15    | Engine Gasket Kit               |
| 28                  | 532 42 92-38    | Flywheel Fan                                 | 57                  | 532 43 21-46    | Fuel Hose Kit                   |
| 29                  | 532 42 96-10    | Ignition Coil Assy                           | 58                  | 532 43 26-87    | Extended Oil Drain Tube         |
|                     |                 |  | 61                  | 532 43 27-52    | Fuel Knob-Snow                  |
|                     |                 |  | 62                  | 532 42 92-42    | Non-Removable Oil Plug          |
|                     |                 |  | 63                  | 532 43 74-64    | CE Compliant Muffler Sheild     |
|                     |                 |  | 64                  | 532 44 30-59    | Red Key Set                     |

