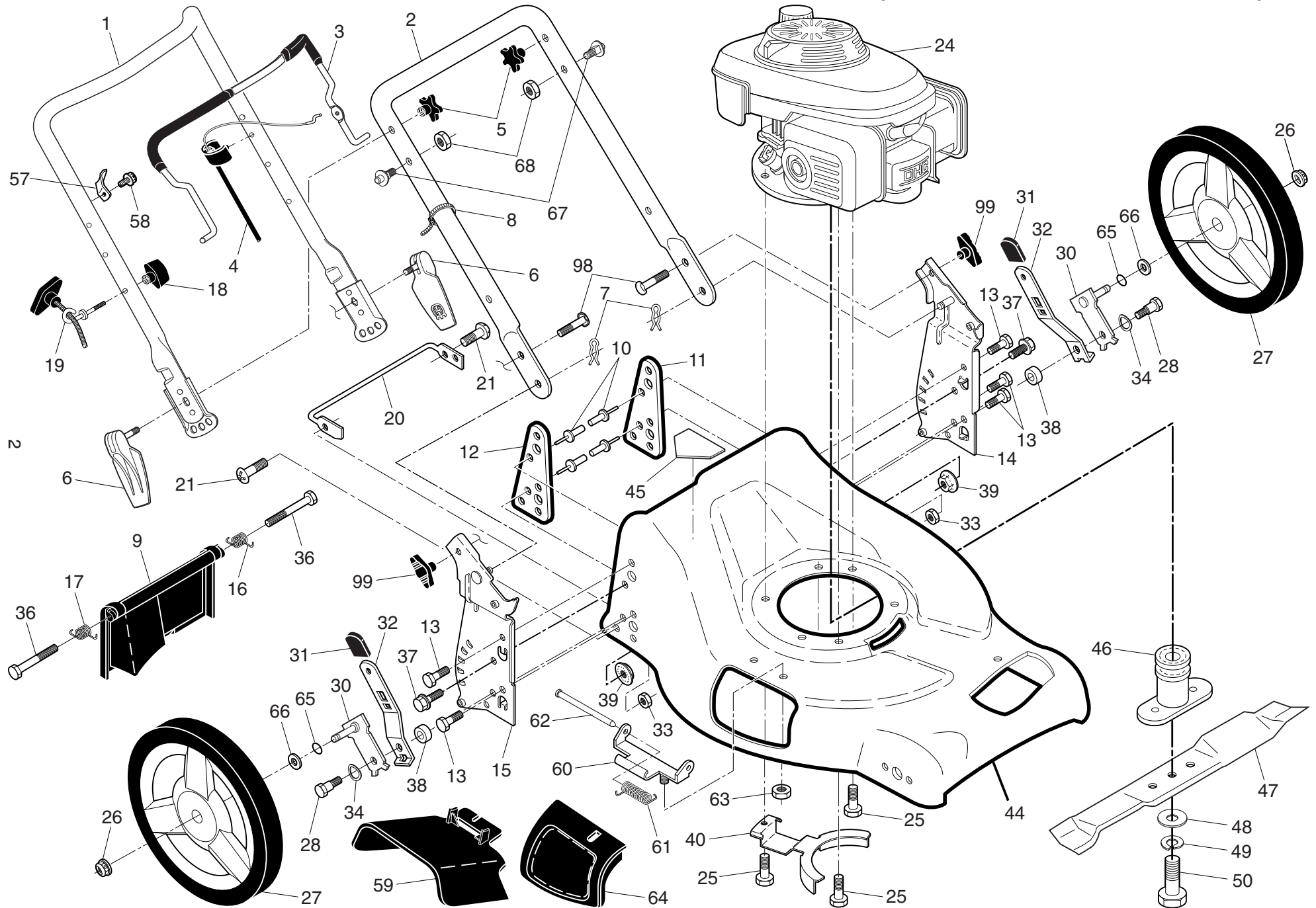


**ILLUSTRATED PARTS LIST**

**MODEL NUMBER LC 153V**

**MFG. ID. NUMBER 96141028601**

# HUSQVARNA ROTARY LAWN MOWER - MODEL NUMBER LC 153V (MFG. ID. NUMBER 96141028601)

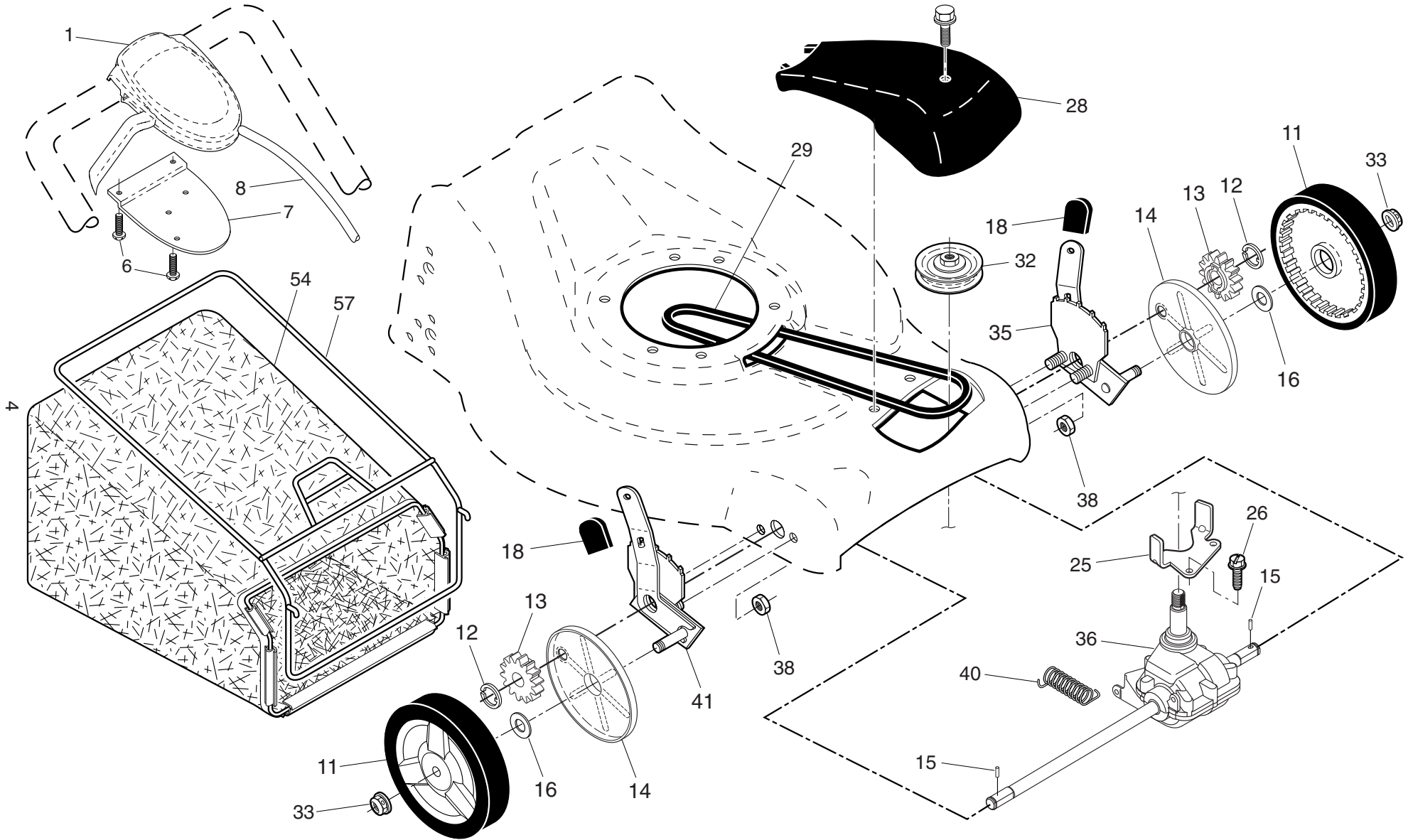


# HUSQVARNA ROTARY LAWN MOWER - MODEL NUMBER LC 153V (MFG. ID. NUMBER 96141028601)

| KEY NO. | PART NO.     | DESCRIPTION   | KEY NO. | PART NO.            | DESCRIPTION  |
|---------|--------------|---|---------|---------------------|--|
| 1       | 583 84 86-01 | Upper Handle  | 37      | 874 78 05-12        | Thread Cutting Screw w/Sems 5/16-18 x 3/4                      |
| 2       | 532 43 97-19 | Lower Handle  | 38      | 532 40 16-29        | Spacer   |
| 3       | 580 84 91-02 | Control Bar, Overmolded   | 39      | 532 15 53-77        | Nut, Hex, Flanged 5/16-18                                      |
| 4       | 532 41 53-50 | Engine Zone Control Cable   | 40      | 532 43 50-59        | Belt Keeper  |
| 5       | 532 18 23-98 | Knob, Handle, Star  | 44      | 532 40 80-16        | Lawn Mower Housing<br>(Includes Key Numbers 10, 11, 12 and 45) |
| 6       | 532 43 06-79 | Knob, Handle, Quick-Adjust  | 45      | 532 18 21-66        | Danger Decal   |
| 7       | 532 05 17-93 | Hairpin Cotter  | 46      | 532 43 22-79        | Blade Adapter / Pulley   |
| 8       | 532 06 64-26 | Wire Tie  | 47      | 532 19 93-77        | Blade 21"  |
| 9       | 584 39 60-01 | Rear Door Assembly  | 48      | 532 85 10-74        | Hardened Washer  |
| 10      | 532 12 84-15 | Pop Rivet   | 49      | 532 85 02-63        | Helical Washer 3/8-24 x 1-3/8 Grade 8                          |
| 11      | 532 41 05-40 | Support Bracket, LH   | 50      | 532 85 10-84        | Hex Head Machine Screw 3/8-24 x 1-3/8 Grade 8                  |
| 12      | 532 41 05-42 | Support Bracket, RH   | 57      | 532 43 00-34        | Upstop Bracket   |
| 13      | 817 06 04-10 | Screw 1/4-20 x 5/8  | 58      | 532 17 88-48        | Screw, Hex Washer Head #10-16 x 5/8                            |
| 14      | 584 40 22-01 | Handle Bracket Assembly, LH   | 59      | 532 18 55-82        | Discharge Deflector  |
| 15      | 584 40 23-01 | Handle Bracket Assembly, RH   | 60      | 532 17 57-35        | Hinge Bracket Assembly   |
| 16      | 532 40 54-17 | Spring, Rear Door, LH   | 61      | 532 19 30-00        | Spring, Hinge  |
| 17      | 532 40 54-18 | Spring, Rear Door, RH   | 62      | 532 17 56-50        | Rod, Hinge   |
| 18      | 581 91 26-01 | T-Knob  | 63      | 873 80 04-00        | Locknut, Hex 1/4-20  |
| 19      | 581 90 21-01 | Rope Guide  | 64      | 532 18 55-76        | Mulcher Door   |
| 20      | 532 43 61-19 | Foot Guard, C.E.  | 65      | 532 19 74-80        | O-Ring   |
| 21      | 817 49 04-16 | Screw, Self-Tapping, Hex Head 1/4-20 x 1/2  | 66      | 532 08 83-48        | Washer, Flat   |
| 24      | - - -        | Engine, Honda, Model Number GCV160-AOS3HB<br>(order parts from engine manufacturer) | 67      | 532 19 92-55        | Stud   |
| 25      | 532 15 04-06 | Hex Head Thread Rolling Screw 3/8-16 x 1-1/8  | 68      | 532 75 11-53        | Nut, Hex   |
| 26      | 532 40 91-49 | Hex Flange Nut  | 98      | <b>586 21 25-01</b> | Bolt, Carriage   |
| 27      | 580 33 46-01 | Wheel & Tire Assembly, Rear, 12"  | 99      | 532 19 19-38        | Knob, Handle, Standard   |
| 28      | 532 40 16-38 | Shoulder Bolt 5/16-18 x .33   | --      | <b>581 00 67-04</b> | Bag of Parts (Includes Key Numbers 67 and 68)                  |
| 30      | 532 41 31-41 | Axle Arm Assembly, Rear   | --      | <b>581 00 67-02</b> | Bag of Parts (Includes Key Numbers 98 and 99)                  |
| 31      | 532 70 10-37 | Selector Knob   | --      | 532 18 21-91        | Decal, Warning (not shown)                                     |
| 32      | 532 40 98-89 | Selector Spring   | --      | 115 62 52-20        | Operator's Manual, European                                    |
| 33      | 873 80 05-00 | Nut, Hex 5/16-18  | --      | 115 62 52-10        | Operator's Manual, Scandinavian                                |
| 34      | 532 40 16-30 | Washer, Curved, Cylindrical   | --      | 115 62 52-50        | Operator's Manual, East Bloc                                   |
| 36      | 532 18 41-93 | Bolt  | --      | 115 62 52-40        | Operator's Manual, Baltic                                      |

**NOTE:** All component dimensions given in U.S. inches. 1 inch = 25.4 mm. **IMPORTANT:** Use only Original Equipment Manufacturer (O.E.M.) replacement parts. Failure to do so could be hazardous, damage your lawn mower and void your warranty.

# HUSQVARNA ROTARY LAWN MOWER - MODEL NUMBER LC 153V (MFG. ID. NUMBER 96141028601)



# HUSQVARNA ROTARY LAWN MOWER - MODEL NUMBER LC 153V (MFG. ID. NUMBER 96141028601)

| KEY NO. | PART NO.     | DESCRIPTION                     | KEY NO. | PART NO.     | DESCRIPTION  |
|---------|--------------|---------------------------------|---------|--------------|--|
| 1       | 532 42 56-61 | Drive Control Assembly          | 28      | 532 43 26-64 | Drive Cover Assembly (Includes Mounting Screw and Pushnut) |
| 6       | 532 18 16-98 | Screw                           | 29      | 532 19 41-49 | V-Belt   |
| 7       | 532 40 07-23 | Mounting Bracket, Drive Control | 32      | 532 44 32-62 | Pulley, Drive  |
| 8       | 532 40 62-59 | Cable, Drive Control            | 33      | 532 40 91-48 | Locknut, Hex   |
| 11      | 532 41 10-81 | Wheel & Tire Assembly           | 35      | 532 43 84-85 | Kit, Wheel Adjuster, LH (Includes Knob and Bearing)        |
| 12      | 812 00 00-58 | E-Ring                          | 36      | 532 40 48-33 | Gear Case Assembly, Complete                               |
| 13      | 532 40 38-49 | Pinion                          | 38      | 873 80 04-00 | Locknut 1/4-20   |
| 14      | 581 84 04-01 | Dust Cover                      | 40      | 532 40 65-58 | Spring   |
| 15      | 532 40 48-45 | Pawl, Drive                     | 41      | 532 43 84-86 | Kit, Wheel Adjuster, RH (Includes Knob and Bearing)        |
| 16      | 532 06 77-25 | Washer 1/2 x 1-1/2 x .134       | 54      | 580 95 34-06 | Grassbag Assembly  |
| 18      | 532 70 10-37 | Selector Knob                   | 57      | 532 41 19-50 | Frame, Grassbag  |
| 25      | 532 43 17-11 | Belt Keeper                     |         |              |  |
| 26      | 532 16 34-09 | Screw, Hi-Lo Thread #12 x 5/8   |         |              |  |

**NOTE:** All component dimensions given in U.S. inches. 1 inch = 25.4 mm. **IMPORTANT:** Use only Original Equipment Manufacturer (O.E.M.) replacement parts. Failure to do so could be hazardous, damage your lawn mower and void your warranty.