

ILLUSTRATED PARTS LIST

BRAND: HUSQVARNA

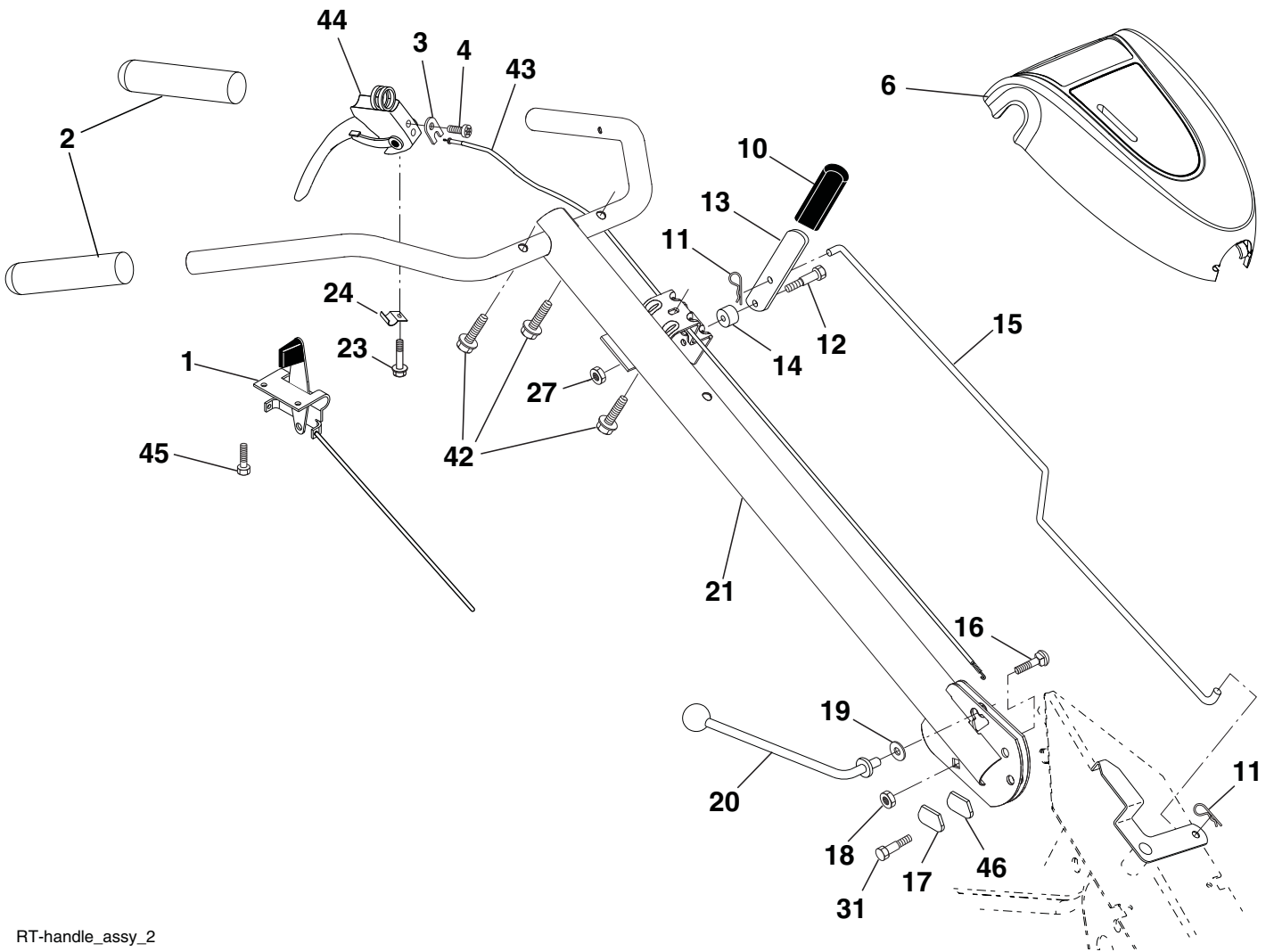
REAR TINE TILLER

MODEL NUMBER: TR530

MFG. ID. NUMBER: 96091001707

HUSQVARNA TILLER - MODEL NUMBER TR530 (MFG. ID. NO. 96091001707)

HANDLE ASSEMBLY



RT-handle_assy_2

KEY PART NO. NO.

DESCRIPTION

1	532 43 18-53	Control, Throttle
2	532 42 76-43	Grip, Handle
3	589 28 41-02	Clip, Retainer
4	818 10 10-08	Screw, Torx
6	581 14 47-01	Panel, Control
10	532 12 47-97	Grip, Handle
11	532 12 47-88	Retainer, Spring
12	532 08 13-28	Bolt, Shoulder
13	581 96 06-01	Handle, Shift
14	532 10 93-13	Grommet, Rubber
15	532 13 84-00	Rod, Shift
16	872 11 06-08	Bolt, Carriage, Grade 5, 3/8-16 x 1
17	532 10 92-29	Lock, Handle
18	873 68 06-00	Nut, Crownlock 3/8-16 UNC
19	819 13 16-11	Washer 13/32 x 1 x 11 Gauge

KEY PART NO. NO.

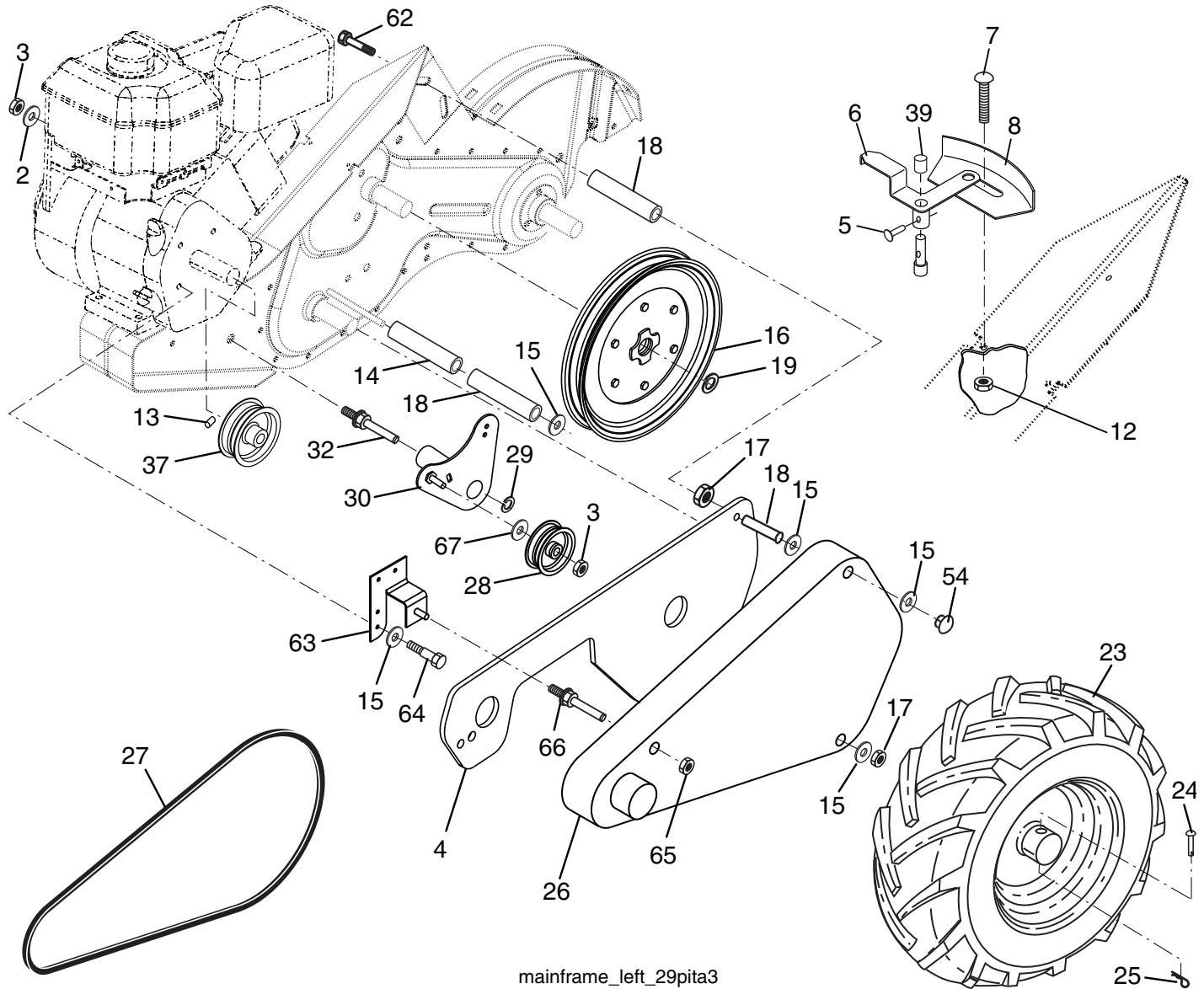
DESCRIPTION

20	532 10 92-28	Lever, Lock, Handle
21	532 44 61-56	Handle Assembly
23	532 08 67-77	Screw, Slotted, Hex Washer Head #10-24 x 1/2
24	532 44 60-45	Clip
27	873 90 04-00	Nut, Hex, Flanged 1/4-20 UNC
31	532 15 06-96	Bolt, Pivot
42	532 41 63-58	Screw, BOS Thread, #10 x 3/4
43	532 43 94-57	Cable, Handle, Tine Control
45	532 42 17-56	Screw, BOS Thread, #10 x 1/2
44	532 43 87-82	Control Handle, Two Function
46	532 13 82-83	Lock, Handle

NOTE: All component dimensions given in U.S. inches.
1 inch = 25.4 mm

HUSQVARNA TILLER - MODEL NUMBER TR530 (MFG. ID. NO. 96091001707)

MAINFRAME, LEFT SIDE



mainframe_left_29pita3

KEY PART NO. NO.

DESCRIPTION

2	810 04 06-00	Washer, Lock 3/8
3	873 93 06-00	Nut, Hex 3/8-16
4	581 85 04-01	Shield, Inner Belt Guard, RH
5	532 16 43-29	Pin, Spiral, Flared
6	532 11 01-11	Lever, Shift
7	872 11 04-04	Bolt, Carriage, Grade 5 1/4-20 x 1/2
8	581 84 50-01	Plate, Shift Indicator
12	873 51 04-00	Nut, Hex, Keps 1/4-20 UNC
13	823 23 05-06	Screw, Set, Hex 5/16-18 x 3/8
14	532 15 61-17	Spacer, Split 0.327 x 0.42 x 1.220
15	819 11 11-16	Washer 11/32 x 11/16 x 16 Gauge
16	532 14 51-02	Sheave, Transmission
17	873 22 05-00	Nut, Hex 5/16-18
18	532 13 16-91	Spacer, Split
19	812 00 00-28	Ring, Retainer
23	581 57 66-02	Wheel & Tire Assembly
24	532 00 49-29	Rivet, Drilled

KEY PART NO. NO.

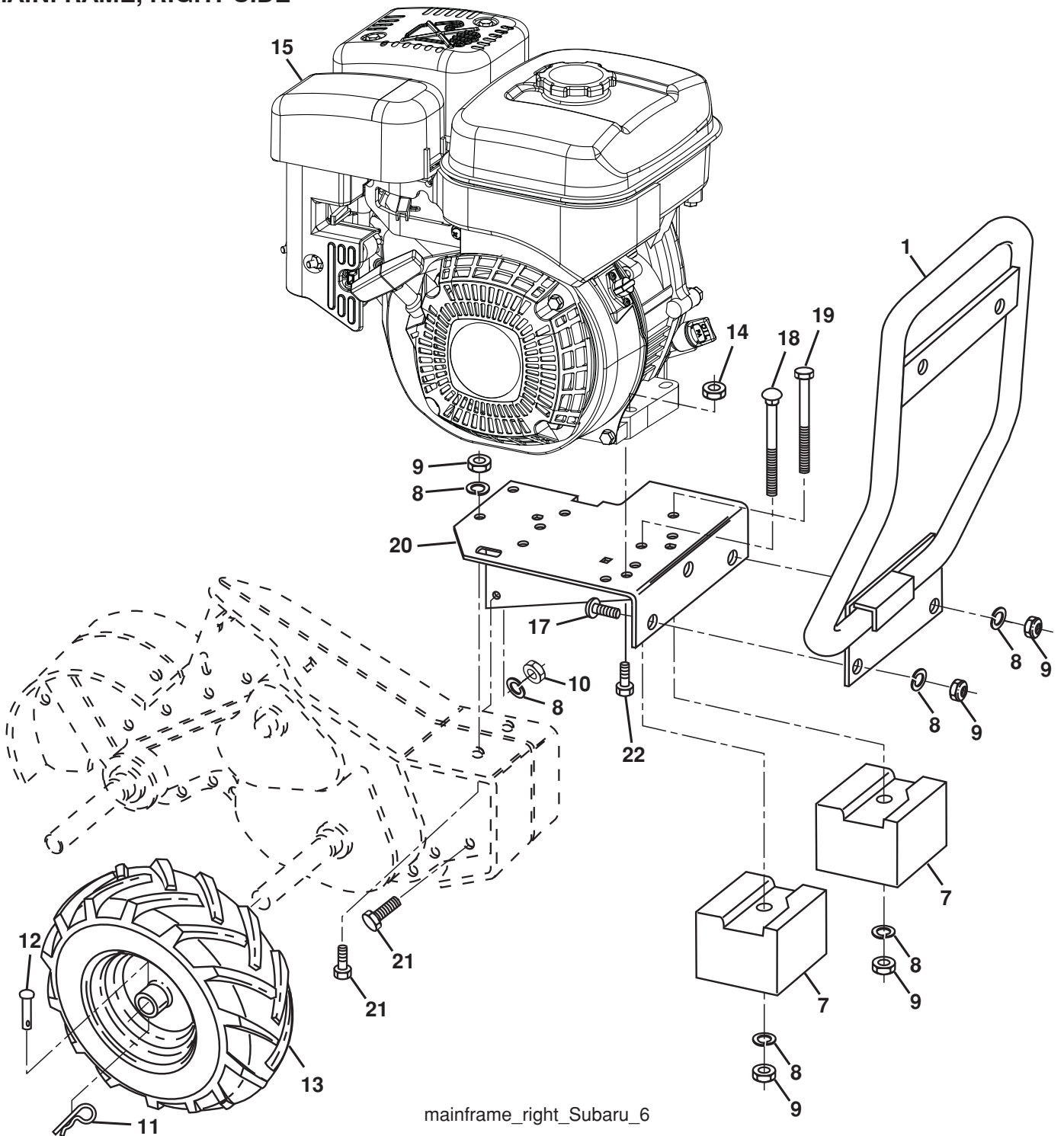
DESCRIPTION

25	532 12 49-61	Clip, Hairpin
26	532 44 29-60	Guard, Belt
27	532 13 83-99	Belt, V
28	532 10 46-79	Pulley, Idler
29	812 00 00-32	Ring, Klip
30	584 28 94-01	Bracket, Idler
32	532 13 94-01	Shaft, Idler Arm
37	532 42 96-95	Sheave, Engine
39	532 14 00-62	Cap, Plunger
54	532 10 42-14	Nut, Hex 5/16-18
62	874 93 05-72	Bolt, Hex Head 5/16-18 x 4-1/2
63	581 85 03-01	Bracket Assembly, Guard
64	874 77 05-08	Bolt 5/16-24 UNF x 1/2
65	873 51 06-00	Nut, Hex
66	581 98 13-02	Belt Guide
67	819 13 13-16	Washer, Flat, 3/8

NOTE: All component dimensions given in U.S. inches. 1 inch = 25.4 mm

HUSQVARNA TILLER - MODEL NUMBER TR530 (MFG. ID. NO. 96091001707)

MAINFRAME, RIGHT SIDE



mainframe_right_Subaru_6

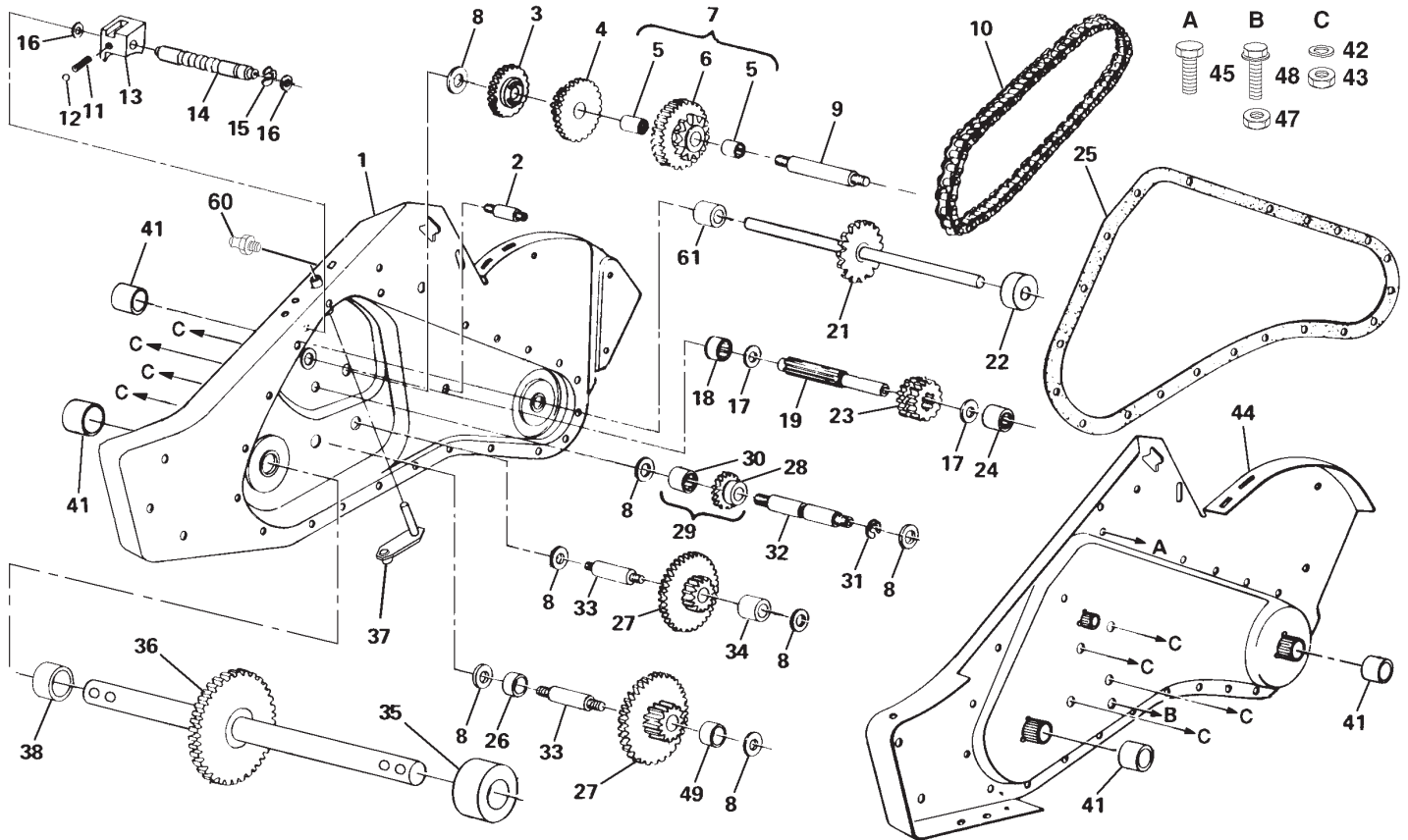
KEY PART NO.	NO.	DESCRIPTION
1	581 84 48-01	Bumper
7	532 18 02-75	Counter Weight, R.H.
8	810 04 06-00	Washer, Lock 3/8
9	873 22 06-00	Nut, Hex 3/8-16
10	873 51 06-00	Nut, Hex, Jam 3/8-16
11	532 12 49-61	Clip, Hairpin
12	532 00 49-29	Rivet, Drilled
13	581 57 66-01	Wheel & Tire Assembly
14	873 97 05-00	Locknut, Hex, Flanged
15	---	Engine, Subaru, Model Number EX210DM2162 (Order parts from Subaru)

KEY PART NO.	NO.	DESCRIPTION
17	872 14 06-08	Bolt, Hex Head 5/16-18 x 1-1/2
18	872 47 06-36	Bolt, Carriage 3/8-16 x 4-1/2
19	874 76 06-72	Bolt, Hex Head 3/8-16 x 4-1/2
20	581 84 49-01	Base, Engine
21	874 76 06-16	Bolt, Hex Head 5/16-18 x 1
22	874 76 05-28	Bolt, Hex Head 5/16-18 x 1-1/2

NOTE: All component dimensions given in U.S. inches. 1 inch = 25.4 mm

HUSQVARNA TILLER - MODEL NUMBER TR530 (MFG. ID. NO. 96091001707)

TRANSMISSION



KEY PART NO. NO.

KEY PART NO. NO.	DESCRIPTION
-- 587 56 91-01	Transmission Assembly
1 532 18 13-32	Gearcase, R.H., with Bearing (Includes Key Number 18)
2 532 18 13-62	Spacer, Gearcase
3 532 17 50-35	Gear, Reverse
4 532 10 53-45	Gear, Cluster, Red, 1st & 2nd
5 532 10 04-13	Bearing, Needle
6 532 14 45-64	Sprocket and Tine Assembly
7 532 14 45-63	Sprocket Assembly with Bearing (Includes Key Number 5)
8 532 00 43-58	Washer
9 532 00 83-58	Shaft, Reduction (1st)
10 532 00 83-71	Chain, Roller
11 532 10 03-71	Spring, Shift, Fork
12 532 12 46-97	Ball, Steel
13 532 00 83-53	Fork, Shift
14 532 17 53-72	Shaft, Reduction
15 812 00 00-39	Ring, Klip
16 532 15 44-67	Washer, Seal
17 532 00 13-70	Washer, Thrust 5/8 I.D.
18 532 12 47-92	Bearing, Needle
19 532 15 06-95	Shaft Input
21 532 43 15-19	Tine Shaft Assembly
22 532 10 61-81	Spacer 1.008 x 1-3/4 x 0.645
23 532 17 50-31	Pinion, Input
24 532 00 50-20	Bearing, Needle
25 532 43 10-23	Gasket, Gearcase
26 532 10 63-89	Spacer 0.765 I.D. x 1.12 x 5/8

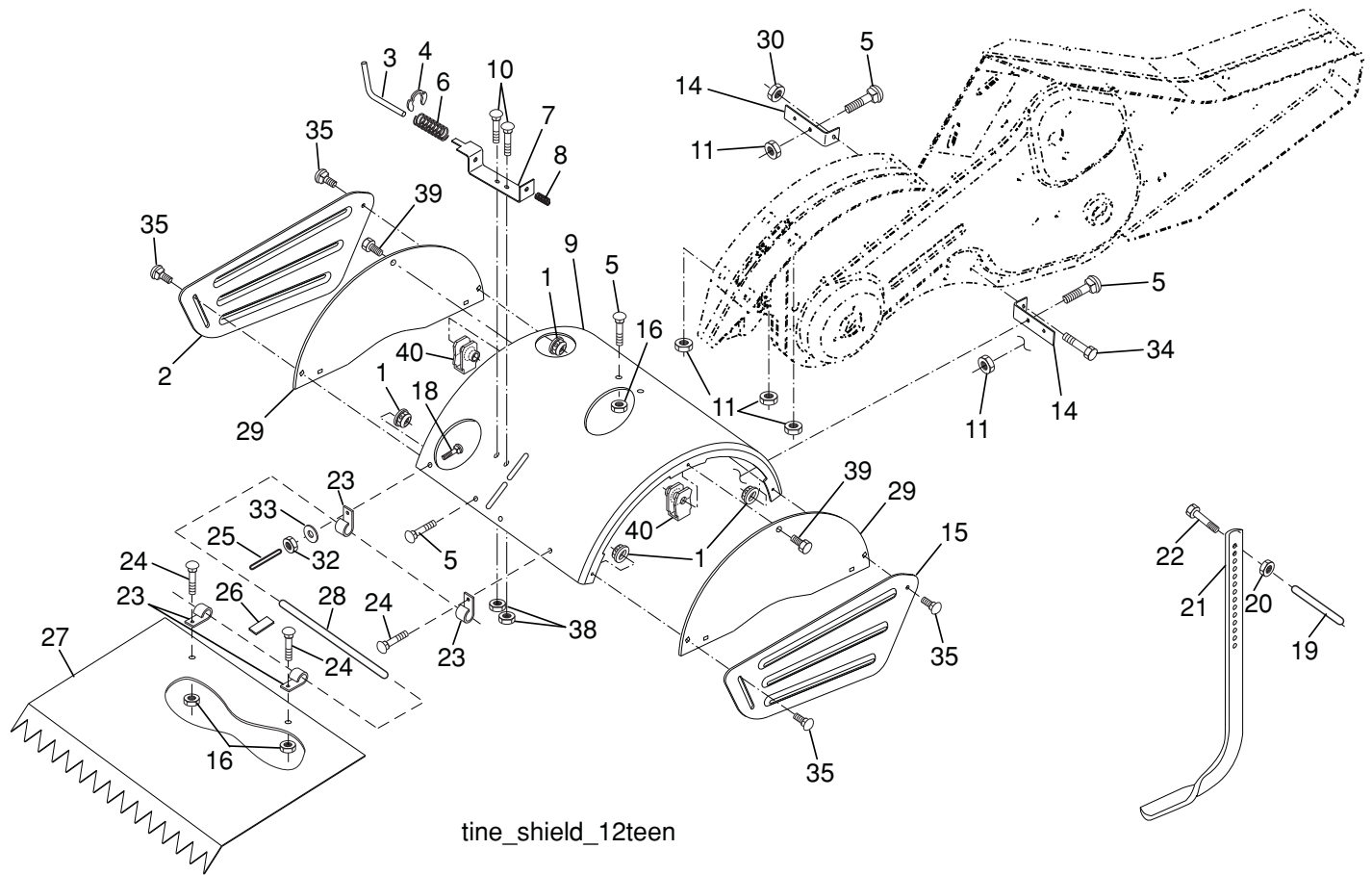
KEY PART NO. NO.

KEY PART NO. NO.	DESCRIPTION
27 532 10 04-33	Gear, Cluster
28 532 00 83-57	Gear, Reverse Idler
29 532 14 45-62	Gear Assembly, Reverse Idler (Includes Key Numbers 28 & 30)
30 532 00 68-03	Bearing, Needle
31 812 00 00-40	Ring, Klip
32 532 00 83-56	Shaft, Reverse Idler
33 532 10 00-16	Shaft, Reduction (2nd)
34 532 10 63-92	Spacer 0.765 I.D. x 1-1/8 x 1-3/8
35 532 10 63-94	Spacer, L.H.
36 532 10 04-36	Shaft Assembly
37 532 14 21-45	Bracket Assembly
38 532 10 63-93	Spacer, R.H.
41 532 15 52-36	Oil Seal Assembly
42 810 04 07-00	Push Nut 7/16
43 873 61 07-00	Nut, Hex 7/16-20
44 532 18 13-23	Gearcase, L.H., with Bearing (Includes Key Number 24)
45 817 00 05-10	Screw, Thread Cutting 5/16-18 x 5/8
47 873 22 05-00	Nut, Hex 5/16-18
48 532 10 01-07	Screw 5/16-18 x 4
49 532 10 63-91	Spacer 0.765 ID x 1.12 x 3/4
60 532 18 32-26	Fitting, Grease
61 532 43 15-01	Spacer 1.015 x 1.50 x .765

NOTE: All component dimensions given in U.S. inches.
1 inch = 25.4 mm

HUSQVARNA TILLER - MODEL NUMBER TR530 (MFG. ID. NO. 96091001707)

TINE SHIELD

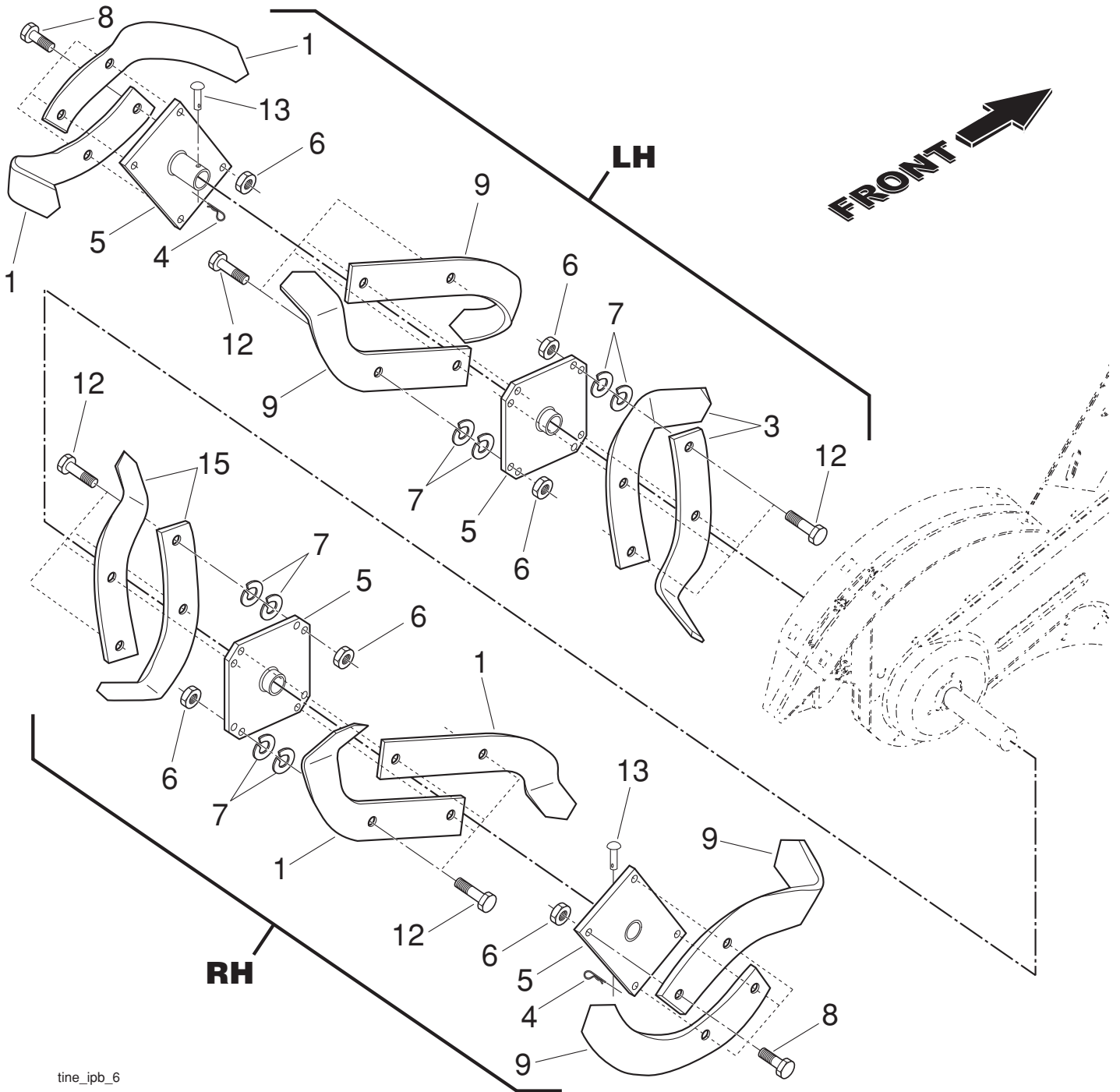


KEY PART NO. NO.	DESCRIPTION
1	532 15 53-77 Locknut, Hex, Flanged 5/16-18
2	532 44 29-66 Shield, Side, Outer, L.H.
3	532 00 83-93 Pin, Stake, Depth
4	812 00 00-35 Ring, Klip
5	532 18 08-47 Bolt 5/16-18 x 3/4
6	532 00 83-94 Spring
7	581 85 08-01 Bracket, Latch
8	532 10 92-30 Spring, Depth Stake
9	532 44 29-61 Shield, Tine
10	872 14 05-08 Bolt, Carriage 5/16-18 x 1
11	873 51 05-00 Nut, Hex 5/16-18
14	581 84 88-01 Bracket, Shield, Tine
15	532 44 29-65 Shield, Side, Outer, R.H.
16	873 90 04-00 Nut, Hex, Flanged 1/4-20 UNC
18	872 04 04-10 Bolt, Carriage, Grade 5 1/4-20 x 1-1/4
19	532 10 27-01 Grip
20	873 22 06-00 Nut, Hex 3/8-16
21	581 85 07-01 Stake, Depth
22	874 93 06-32 Bolt, Hex Head 3/8-16 x 2

KEY PART NO. NO.	DESCRIPTION
23	532 00 44-40 Hinge
24	872 14 04-04 Bolt, Carriage, Grade 5 1/4-20 x 1/2
25	532 12 47-17 Cap, Vinyl
26	532 10 92-27 Pad, Idler
27	532 44 29-90 Shield, Leveling
28	532 13 86-09 Pin, Hinge
29	581 85 09-02 Shield, Side
30	873 97 05-00 Locknut, Hex, Flanged
32	873 22 04-00 Nut, Hex 1/4-20 UNF
33	810 04 04-00 Washer, Lock, Heavy Helical 1/4
34	872 01 05-20 Bolt, Hex Head, Flanged 5/16-18 x 2-1/4
35	872 11 05-05 Bolt, Carriage
38	873 51 05-00 Nut, Keps 5/16-18 UNC
39	532 42 88-67 Bolt, Hex Head
40	532 18 11-56 Nut, Speed

NOTE: All component dimensions given in U.S. inches.
1 inch = 25.4 mm

HUSQVARNA TILLER - MODEL NUMBER TR530 (MFG. ID. NO. 96091001707)
TINE ASSEMBLY



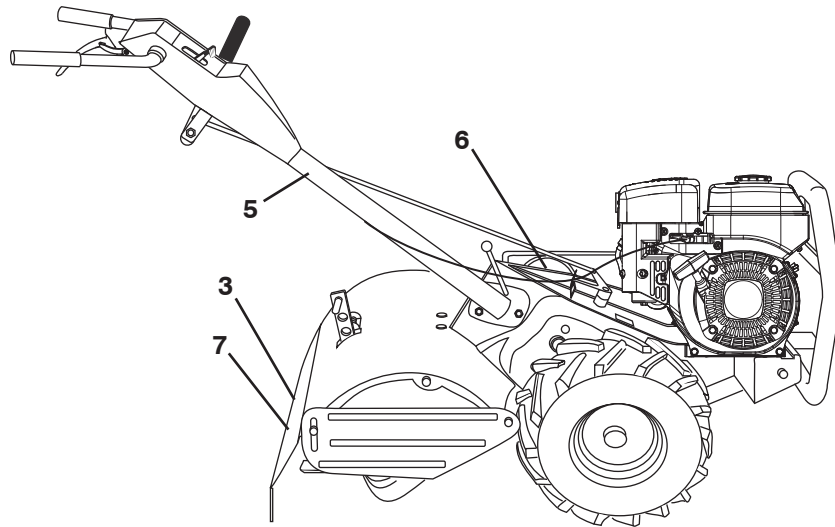
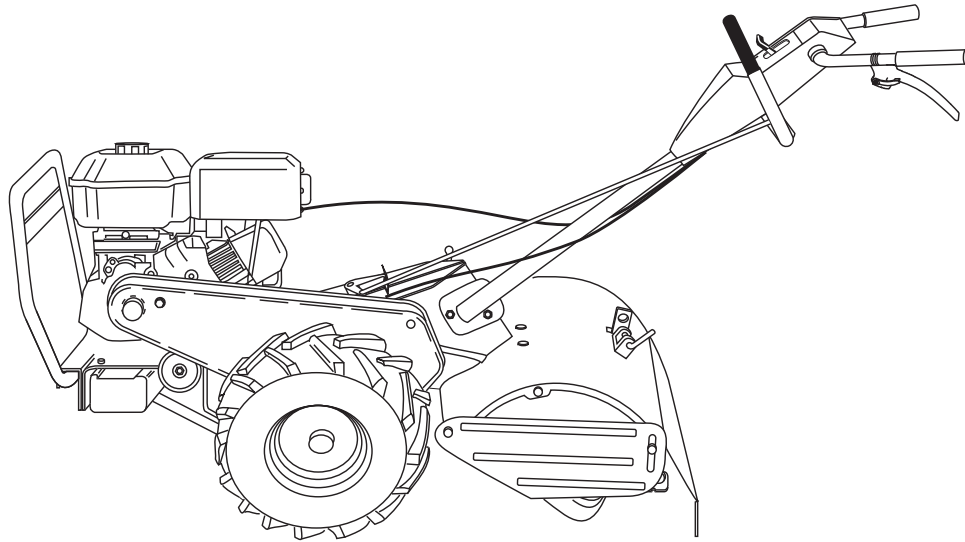
tine_ipb_6

KEY PART NO.	PART NO.	DESCRIPTION
1	532 00 65-56	Tine, Outer, L.H.
3	532 10 11-94	Tine, Inner, L.H.
4	532 12 46-60	Retainer Spring, Zinc
5	581 85 06-01	Assembly, Hub and Plate
6	873 54 06-00	Nut, Hex 3/8-24 (12 per side)
7	810 04 06-00	Washer, Lock 3/8 (16 per side)

KEY PART NO.	PART NO.	DESCRIPTION
8	874 61 06-16	Bolt, Hex Head 3/8-24 x 1 (4 per side)
9	532 00 65-57	Tine, Outer, R.H.
12	874 61 06-24	Bolt Hex Head 3/8-24 x 1-1/2 (8 per side)
13	532 44 60-59	Clevis Pin
15	532 10 11-93	Tine, Inner, R.H.

NOTE: All component dimensions given in U.S. inches. 1 inch = 25.4 mm

HUSQVARNA TILLER - MODEL NUMBER TR530 (MFG. ID. NO. 96091001707)
DECALS



KEY PART NO.	PART NO.	DESCRIPTION
3	532 14 54-37	Decal, European Standard, C.E.
5	532 15 98-77	Decal, Hand Placement
6	532 13 85-46	Decal, Shift Indicator
7	532 17 65-57	Decal, Warning, 4-Symbol
--	532 43 87-84	Manual, Operator's, European
--	532 43 87-85	Manual, Operator's, Scandinavian
--	532 43 87-87	Manual, Operator's, East Bloc
--	532 43 87-89	Manual, Operator's, Baltic