

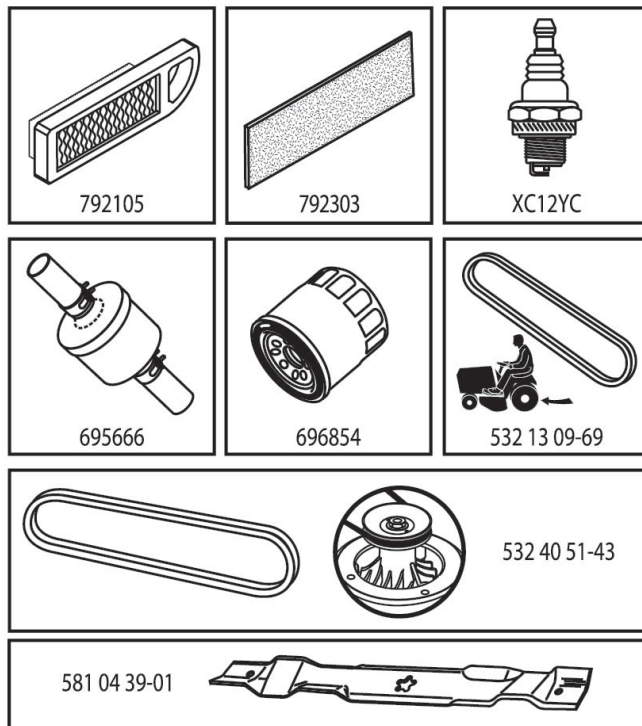
ILLUSTRATED PARTS LIST

MFG. ID NO. 96041037200

CUSTOMER CATALOG NO. TS 346

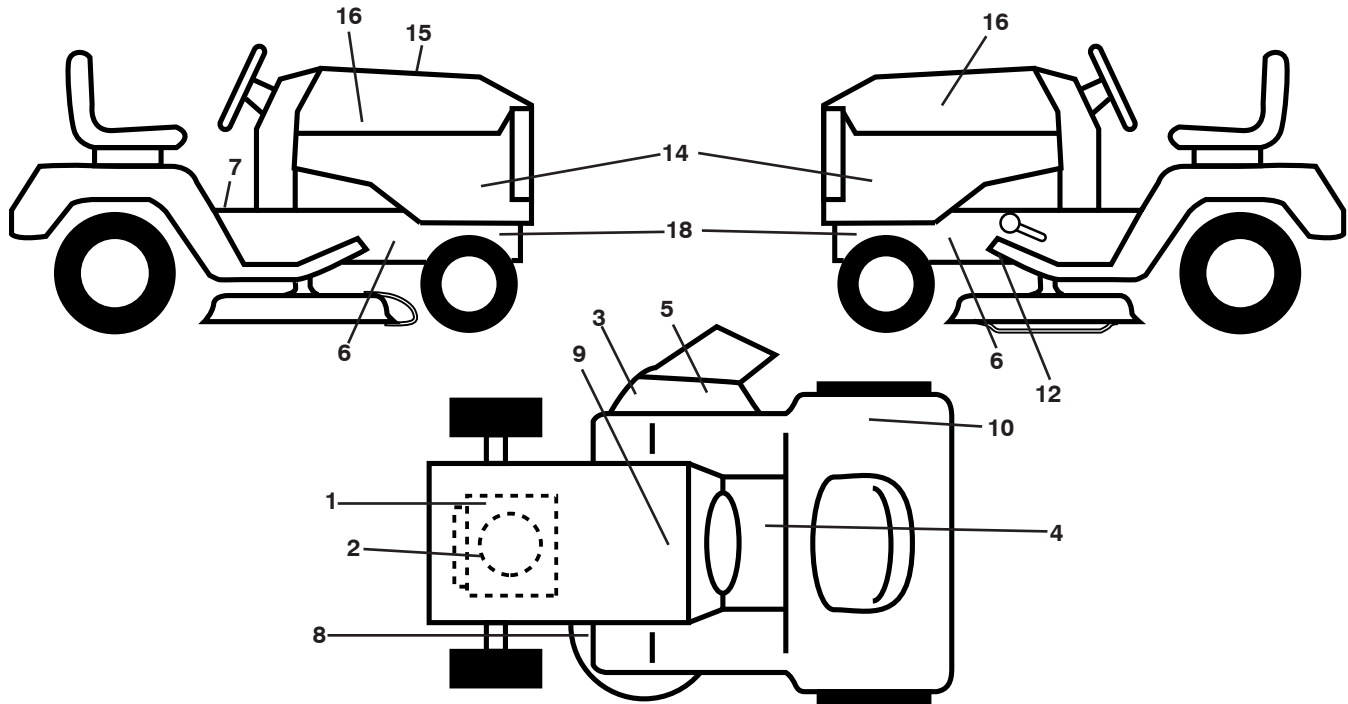
PRODUCT NO. 960 41 03-72

47



587531601

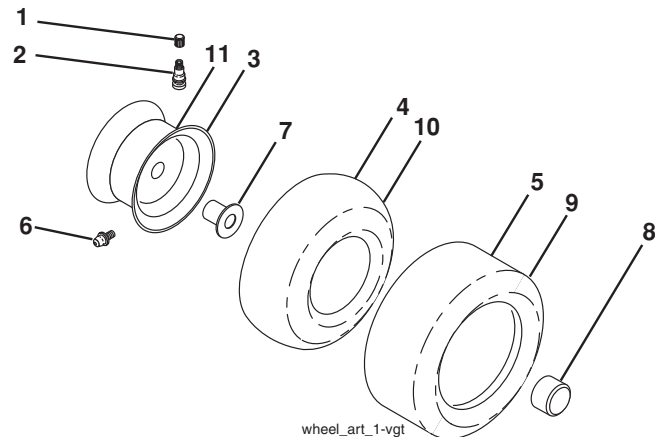
**TRACTOR - - MODEL NO. TS 346 (96041037200), PRODUCT NO. 960 41 03-72
DECALS 27**



| KEY NO. | PART NO. | DESCRIPTION |
|---------|--------------|--------------------------|
| 1 | 581 57 97-01 | Decal, Engine Warning |
| 2 | 587 46 92-01 | Decal, Engine |
| 3 | 581 57 92-01 | Decal, Warning |
| 4 | 586 80 03-01 | Decal, Tractor Saddle |
| 5 | 584 90 46-01 | Decal, Deflect. Warning |
| 6 | 581 57 98-01 | Decal, Warning |
| 7 | 586 34 95-01 | Decal, Warning Symbols |
| 8 | 581 58 00-01 | Decal, Mower Sch. |
| 9 | 532 14 50-05 | Decal, Battery Dan./Poi. |
| 10 | 581 72 41-01 | Decal, Certification |
| 12 | 532 41 86-00 | Decal, Pedal Dealer |
| 14 | 587 39 72-01 | Decal, Panel Side |

| KEY NO. | PART NO. | DESCRIPTION |
|---------|--------------|-----------------------------|
| 15 | 587 53 16-01 | Decal, Replacement Parts |
| 16 | 581 62 73-01 | Decal, Hood Logo |
| 18 | 581 57 96-01 | Decal, Chassis Hot Muffler |
| -- | 581 72 46-01 | Decal, Drawbar Load Limit |
| -- | 581 72 48-01 | Decal, Bypass |
| -- | 532 43 98-82 | Pad, Footrest, LH |
| -- | 532 43 98-81 | Pad, Footrest, RH |
| -- | 588 78 48-20 | Manual, Operator's (Euro) |
| -- | 588 78 48-10 | Manual, Operator's (Scan) |
| -- | 588 78 48-50 | Manual, Operator's (E-bloc) |
| -- | 588 78 48-40 | Manual, Operator's (Baltic) |

WHEELS AND TIRES



| KEY NO. | PART NO. | DESCRIPTION |
|---------|--------------|------------------------------------|
| 1 | 532 05 91-92 | Cap, Valve, Tire |
| 2 | 532 06 51-39 | Stem, Valve |
| 3 | 532 13 83-36 | Rim Assembly, Front |
| 4 | 532 05 99-04 | Tube, Front (Service Item Only) |
| 5 | 532 10 62-22 | Tire, Front 15 x 6-6 |
| 6 | 532 12 49-57 | Fitting, Grease (Front Wheel Only) |
| 7 | 532 12 49-59 | Bearing, Flange (Front Wheel Only) |
| 8 | 532 17 50-39 | Cap, Axle (Front Wheel Only) |
| 9 | 532 12 20-82 | Tire, Rear 20 x 10-8 |
| 10 | 532 12 49-26 | Tube, Rear (Service Item Only) |
| 11 | 532 13 83-37 | Rim Assembly, Rear |
| -- | 532 14 43-34 | Sealant, Tire (10 oz. Tube) |

NOTE: All component dimensions given in U.S. inches
1 inch = 25.4 mm

TRACTOR - - MODEL NO. TS 346 (96041037200), PRODUCT NO. 960 41 03-72

SCHEMATIC 38

SCH28

SMART IGNITION SWITCH (S.I.S.)



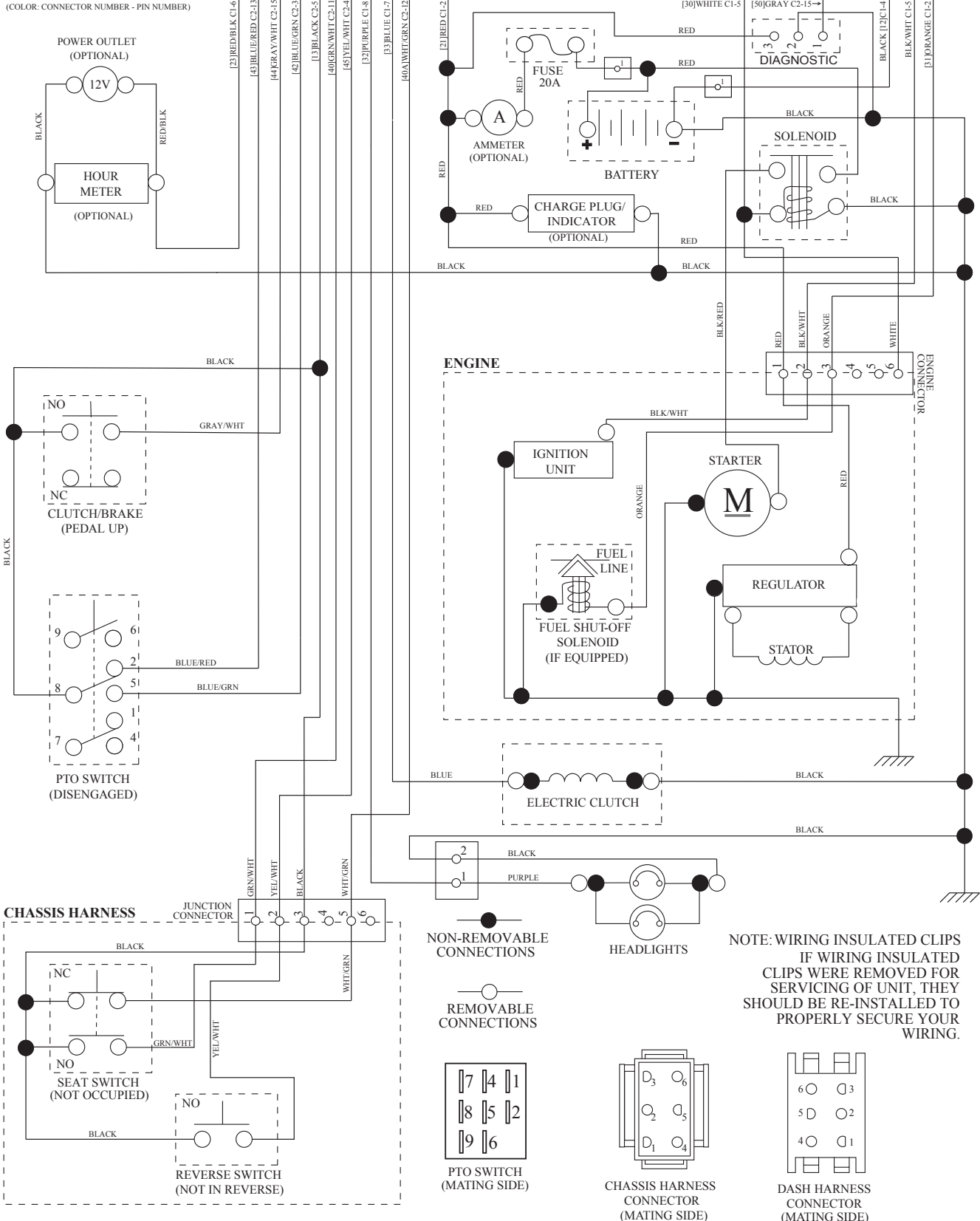
-DO NOT OPEN!
-PERMANENT DAMAGE CAN RESULT
IF PROPER DIAGNOSTIC PROCEDURES
ARE NOT FOLLOWED.
-CONTACT YOUR DEALER OR AUTHORIZED
SERVICE CENTER FOR REPAIR.



SENSITIVE ELECTRONIC
COMPONENTS INSIDE!

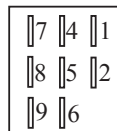


(COLOR: CONNECTOR NUMBER - PIN NUMBER)

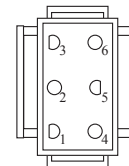


NON-REMOVABLE
CONNECTIONS

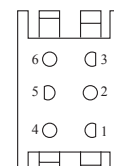
REMOVABLE
CONNECTIONS



PTO SWITCH
(MATING SIDE)



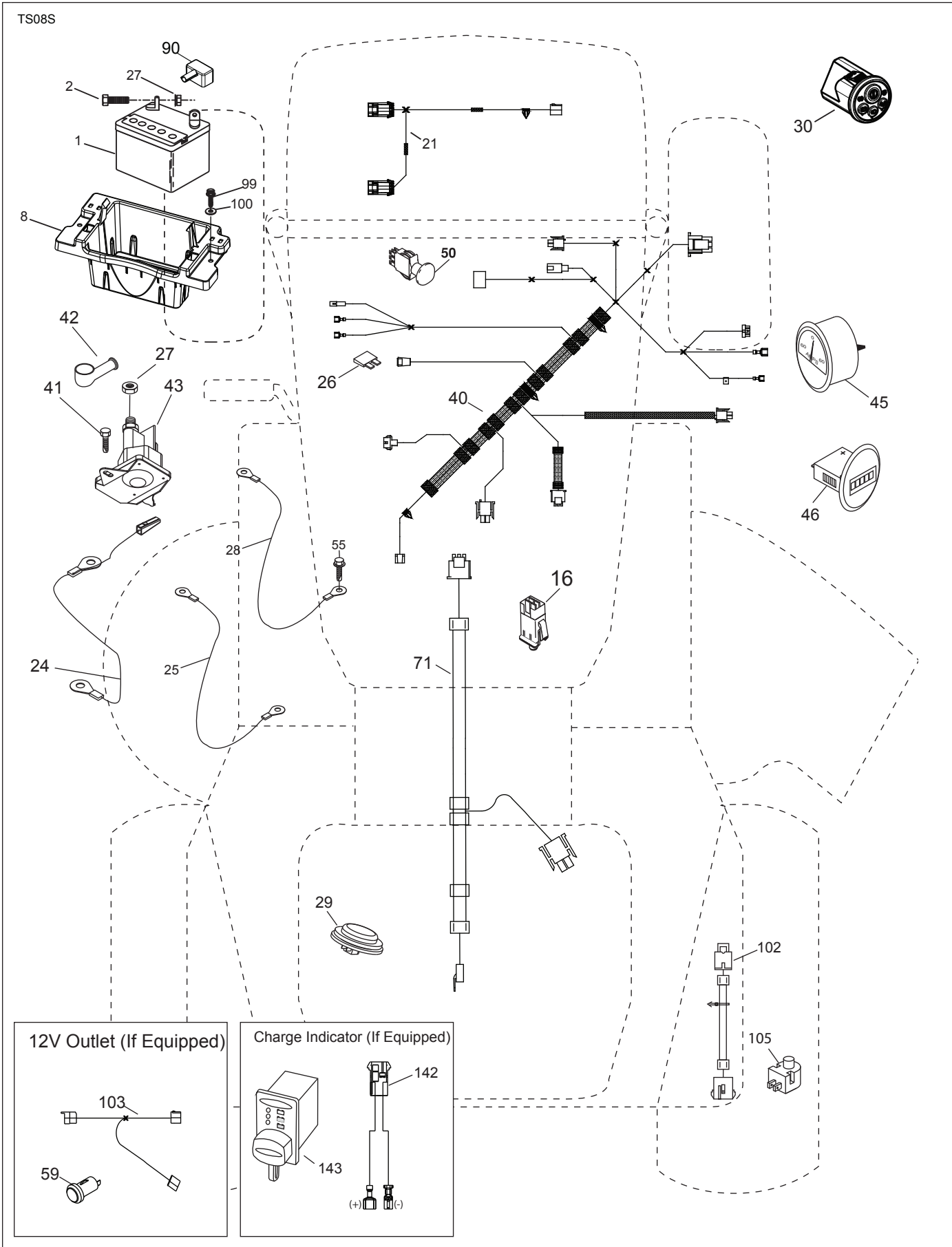
CHASSIS HARNESS
CONNECTOR
(MATING SIDE)



DASH HARNESS
CONNECTOR
(MATING SIDE)

NOTE: WIRING INSULATED CLIPS
IF WIRING INSULATED
CLIPS WERE REMOVED FOR
SERVICING OF UNIT, THEY
SHOULD BE RE-INSTALLED TO
PROPERLY SECURE YOUR
WIRING.

**TRACTOR - - MODEL NO. TS 346 (96041037200), PRODUCT NO. 960 41 03-72
ELECTRICAL 32**

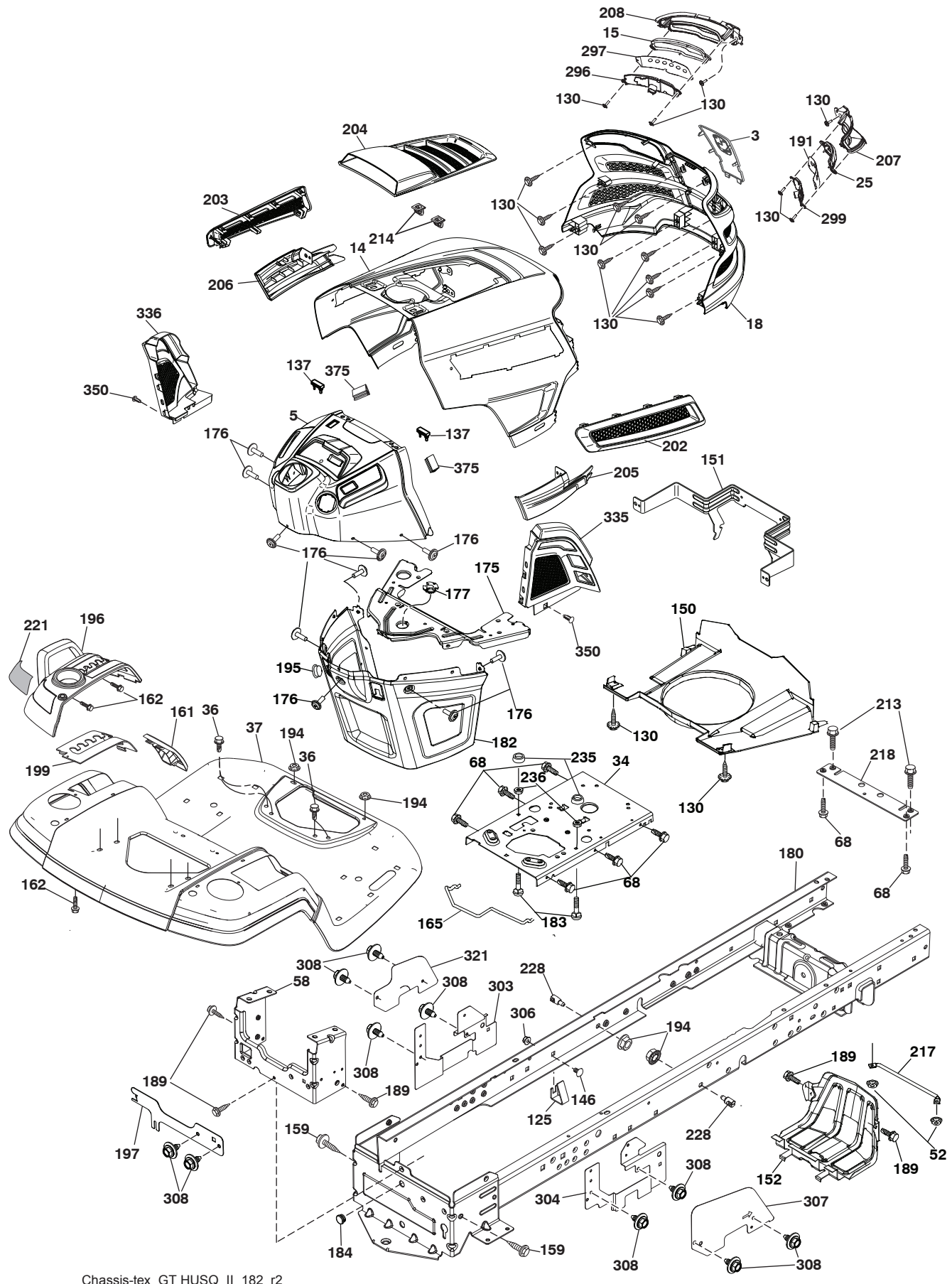


**TRACTOR - - MODEL NO. TS 346 (96041037200), PRODUCT NO. 960 41 03-72
ELECTRICAL 32**

| KEY PART NO. | NO. | DESCRIPTION |
|-----------------|--------------|-------------------------------------|
| 1 | 532 16 34-65 | Battery |
| 2 | 874 76 04-12 | Bolt Hex Hd. 1/4-20 unc x 3/4 |
| 8 | 587 20 51-01 | Battery Box |
| 16 | 532 17 61-38 | Switch Interlock |
| 21 | 585 43 64-01 | Harness Light |
| 24 | 585 73 43-01 | Cable Battery |
| 25 | 585 55 55-01 | Cable Starter |
| 26 | 532 17 51-58 | Fuse |
| 27 | 873 51 04 00 | Nut Keps Hex 1/4-20 unc |
| 28 | 585 30 69-01 | Cable Ground |
| 29 | 581 42 93-02 | Switch Seat |
| 30 | 586 83 67-01 | Switch Asm. Smart |
| 40 | 585 26 36-02 | Harness Ign. Dash |
| 41 | 817 72 04-08 | Screw 1/4-20 x 1/2 |
| 42 | 532 13 15-63 | Cover Terminal |
| 43 | 532 19 25-07 | Solenoid |
| 45 | 587 55 39-03 | Ammeter Guage Round |
| 46 | 587 55 40-03 | Hourmeter Gauge |
| 50 | 582 10 76-01 | Switch PTO |
| 55 | 817 06 05-12 | Screw 5/16-18 x 3/4 |
| 71 | 585 21 60-01 | Harness Ign. Chassis |
| 90 | 532 43 53-95 | Cover Terminal Battery |
| 99 | 817 67 04-12 | Screw Hex Wsh. Thdrol. 1/4-20 x 3/4 |
| 100 | 819 09 14-16 | Washer 9/32 x 7/8 x 16 Ga. |
| 102 | 532 40 44-54 | Harness Pigtail Tex ROS Tufftorq |
| 105 | 532 40 75-68 | Switch Reverse |
| 142 | 583 85 78-01 | Charge Port Pigtail |
| 143 | 532 44 80-59 | Charge Port |

NOTE: All component dimensions given in U.S. inches
1 inch = 25.4 mm

**TRACTOR - - MODEL NO. TS 346 (96041037200), PRODUCT NO. 960 41 03-72
CHASSIS AND ENCLOSURES 39**



Chassis-tex_GT HUSQ_II_182_r2

**TRACTOR - - MODEL NO. TS 346 (96041037200), PRODUCT NO. 960 41 03-72
CHASSIS AND ENCLOSURES 39**

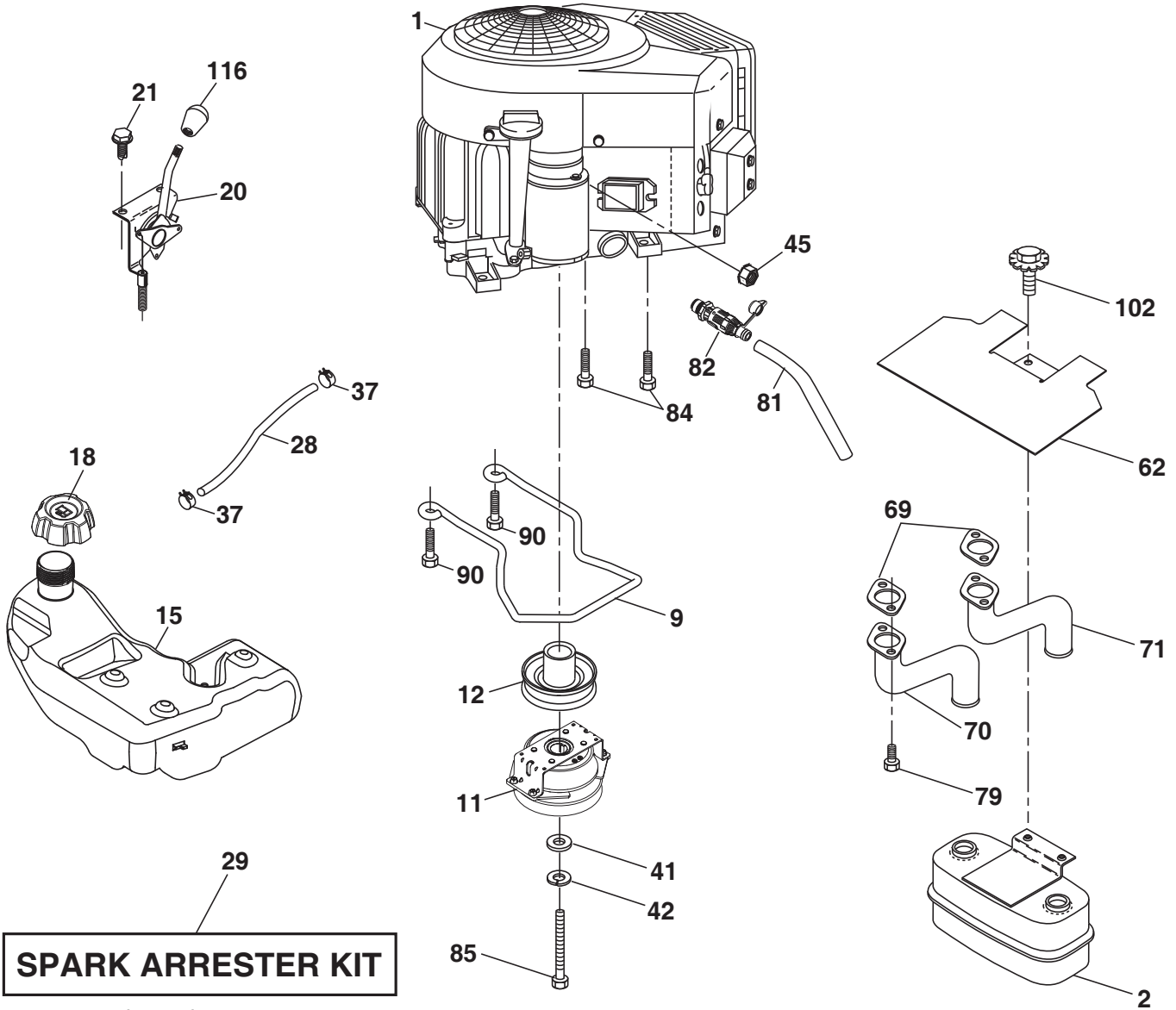
| KEY NO. | PART NO. | DESCRIPTION | KEY NO. | PART NO. | DESCRIPTION |
|------------|--------------|--------------------------------|------------|--------------|--------------------------------|
| 3 | 532 44 44-81 | Applique Sub Asm. | 199 | 532 19 82-59 | Plate Deck Lift |
| 5 | 581 67 41-02 | Dash | 202 | 532 43 97-28 | Vent Side Hood RH |
| 14 | 532 44 11-77 | Hood | 203 | 532 43 97-27 | Vent Side Hood LH |
| 15 | 585 42 03-01 | Lens LH | 204 | 532 43 57-14 | Vent Asm. Hood Top |
| 18 | 532 44 06-53 | Grille | 205 | 532 43 97-30 | Trim Hood Side RH |
| 25 | 585 42 02-01 | Lens RH | 206 | 532 43 97-29 | Trim Hood Side LH |
| 34 | 580 91 08-01 | Plate Engine | 207 | 585 42 00-01 | Bezel RH |
| 36 | 817 06 05-12 | Screw 5/16-18 x 3/4 | 208 | 585 42 01-01 | Bezel LH |
| 37 | 532 44 12-08 | Fender | 213 | 874 76 05-12 | Bolt Hex Hd. 5/16-18 unc x 3/4 |
| 52 | 873 68 05-00 | Nut Crownlock 5/16-18 | 214 | 532 19 91-45 | Clip Retainer |
| 58 | 532 41 22-81 | Drawbar Upper | 217 | 532 40 91-67 | Rod Pivot |
| 68 | 817 49 05-08 | Screw 5/16-18 x 1/2 | 218 | 532 19 63-95 | Hood Stop |
| 125 | 581 68 48-01 | Clip Fuel Line | 221 | 532 19 89-09 | Reflector LH |
| 130 | 532 41 63-58 | Screw #10 x 0.750 | 228 | 532 19 51-61 | Stud Fastener |
| 137 | 532 40 75 90 | Bumper Dash | 235 | 532 40 61 29 | Spacer Fender |
| 146 | 581 85 79-01 | Bolt | 236 | 873 93 05-00 | Nut 5/16-18 unc |
| 150 | 532 43 97-74 | Duct Heat Hood | 296 | 585 42 05-01 | LED Light LH |
| 151 | 532 43 66-70 | Pivot Bracket | 297 | 586 18 29-01 | Insert Reflective LH |
| 152 | 532 43 98-70 | Shield Browning/Debris | 299 | 585 42 04-01 | LED Light RH |
| 159 | 817 00 06-12 | Screw 3/8-16 x 3/4 BL | 303 | 587 49 34-02 | Shield Chassis Fren LH |
| 161 | 532 43 99-29 | Console Fuel Window | 304 | 587 86 51-02 | Shield Chassis Fren RH |
| 162 | 532 14 24-32 | Screw Hex Wsh. Hi-Lo 1/4 x 1/2 | 306 | 873 90 06-00 | Nut 3/8-16 unc |
| 165 | 532 19 68-26 | Bracket Support Tank | 307 | 587 52 03-01 | Shield Upper Pedal |
| 175 | 532 19 63-04 | Crossmember | 308 | 532 17 18-77 | Bolt 5/16-18 unc x 3/4 |
| 176 | 532 40 07-76 | Screw #10-24 x 5/8 | 321 | 587 52 02-01 | Shield Upper LH |
| 177 | 532 19 52-28 | Bushing Steering | 335 | 532 44 82-04 | Lower Dash Cover RH |
| 180 | 532 41 50-64 | Chassis | 336 | 532 44 53-09 | Lower Dash Cover LH |
| 182 | 532 40 68-59 | Dash Lower | 350 | 532 44 51-43 | Clip X-mas Tree |
| 183 | 874 52 05-20 | Bolt 5/16-18 unc x 1-1/4 | 375 | 586 90 82-01 | Dash Clip-On Bumper |
| 184 | 587 55 41-01 | Plug Dome | -- | 532 43 18-82 | Kit Guard Brush |
| 189 | 817 00 05-12 | Screw 5/16-18 x 3/4 | -- | 586 29 76-01 | Plug Light Switch |
| 191 | 586 18 28-01 | Insert Reflective RH | | | |
| 194 | 873 90 05-00 | Nut Lock Hex Flange 5/16-18 | | | |
| 195 | 532 40 41-37 | Plug 12 V Adapter | | | |
| 196 | 532 43 97-16 | Console Asm. Deck Lift | | | |
| 197 | 589 20 46-02 | Shield Drawbar | | | |

NOTE: All component dimensions given in U.S. inches
1 inch = 25.4 mm

**TRACTOR - - MODEL NO. TS 346 (96041037200), PRODUCT NO. 960 41 03-72
DRIVE **40****

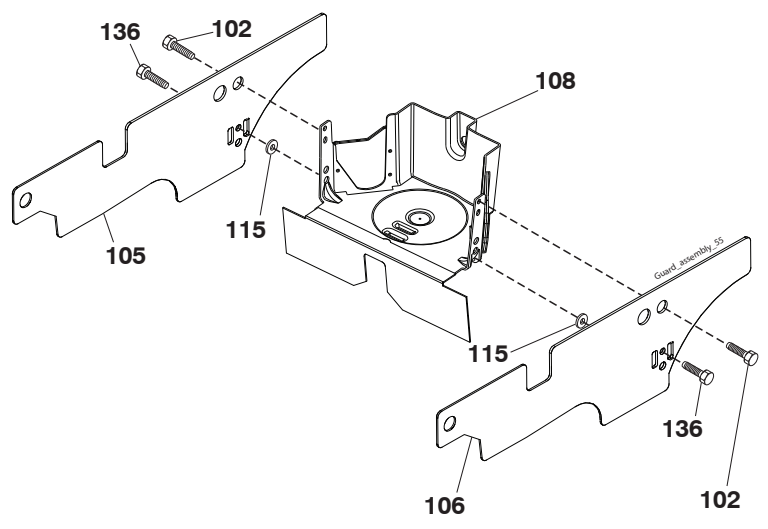
| KEY NO. | PART NO. | DESCRIPTION | KEY NO. | PART NO. | DESCRIPTION |
|----------------|-----------------|--|----------------|-----------------|--------------------------------|
| 1 | --- | Transaxle, TuffTorq K57R (437814) (Order parts from transaxle manufacturer.) | 185 | 872 11 06-22 | Bolt |
| 2 | 532 12 35-83 | Key | 186 | 532 19 43-21 | Spacer Retainer |
| 15 | 819 13 13-16 | Washer 13/32 x 13/16 x 16 Ga. | 187 | 819 13 32-10 | Washer |
| 17 | 532 41 36-78 | Spring, Brake | 188 | 582 21 70-01 | Link Clutch Ground Drive, Long |
| 26 | 532 19 96-79 | Spring Return Cruise | 189 | 532 19 43-17 | Bellcrank Ground Drive |
| 29 | 532 40 38-06 | Rod, Brake | 190 | 532 19 43-18 | Keeper Bellcrank Ground Drive |
| 33 | 812 00 00-01 | Ring E | 196 | 817 00 06-16 | Screw 3/8-16 x 1 |
| 35 | 583 86 45-01 | Rod, Brake, Park | 197 | 585 65 86-01 | Link Clutch Anti-Rotation |
| 37 | 532 18 89-67 | Washer Hardened | 205 | 532 12 17-48 | Washer 25/32 x 1-5/8 x 16 Ga. |
| 42 | 532 12 48-72 | Cover, Foot Pedal | 206 | 532 44 85-96 | Bracket Mount Latch Cruise |
| 49 | 872 11 06-14 | Bolt | 207 | 587 03 14-01 | Latch Control Cruise |
| 50 | 532 19 43-27 | Pulley Idler Flat | 208 | 532 19 78-69 | Gear Sector Control Cruise |
| 51 | 873 90 06-00 | Lock Nut 3/8-16 | 209 | 532 19 95-92 | Rod Control Cruise |
| 52 | 532 19 43-26 | Idler V-Groove | 210 | 532 19 78-60 | Rocker Asm Cruise |
| 56 | 532 13 09-69 | V-Belt, Drive | 211 | 532 12 01-83 | Bearing Nylon |
| 64 | 532 19 78-65 | Shaft Asm. Pedal Brake Control | 213 | 532 40 31-19 | Handle Parking Brake |
| 70 | 532 43 96-61 | Console Asm. | 214 | 532 41 68-63 | Pedal Forward Pad |
| 73 | 874 49 05-40 | Bolt 5/16-18 x 1/2 Gr 5 | 215 | 586 60 65-02 | Pedal Reverse Pad |
| 74 | 532 14 24-32 | Screw Hx Wsh Hi-Lo 1/4 x 1/2 unc | 216 | 532 19 61-31 | Bracket Pulley Idler |
| 92 | 874 76 05-20 | Bolt Fin Hex 5/16-18 unc x 1.25 | 220 | 532 19 89-08 | Reflector RH |
| 99 | 532 41 57-42 | Rod Bypass | 221 | 532 40 31-87 | Retainer Spring Clip Handle |
| 116 | 873 90 05-00 | Nut Lock Hex Flange 5/16-18 | 222 | 879 21 20-10 | Washer 21/32 x 1-1/4 10 Ga. |
| 125 | 817 00 05-12 | Screw 5/16-18 x 3/4 | 225 | 532 40 33-19 | Keeper Belt Trans. |
| 143 | 817 49 05-08 | Screw 5/16-18 x 1/2 | 227 | 817 49 05-12 | Screw Thdrol 5/16-18 x 3/4 |
| 153 | 532 12 47-88 | Retainer Spring | 284 | 532 41 76-93 | Nut U-Channel |
| 159 | 876 02 04-12 | Pin Cotter 1/8 x 3/4 | 307 | 874 18 04-12 | Screw |
| 160 | 532 16 94-84 | Retainer Clip | 325 | 585 66 85-02 | Bracket |
| 161 | 532 10 57-09 | Spring, Return, Clutch | 326 | 585 67 08-02 | Bracket |
| 163 | 532 44 82-75 | Rod Pedal Control | 336 | 587 25 96-01 | Bolt |
| 166 | 532 42 91-64 | Nut Push .625 | | | |
| 167 | 532 40 52-57 | Latch Brake Parking | | | |
| 170 | 532 19 43-22 | Keeper Belt Centerspan | | | |
| 171 | 872 11 06-16 | Bolt | | | |
| 183 | 532 13 70-57 | Spacer Axle | | | |
| 184 | 587 65 37-01 | Handle Parking Brake | | | |

NOTE: All component dimensions given in U.S. inches
1 inch = 25.4 mm



SPARK ARRESTER KIT

engine-tex_bs-2cyl_153

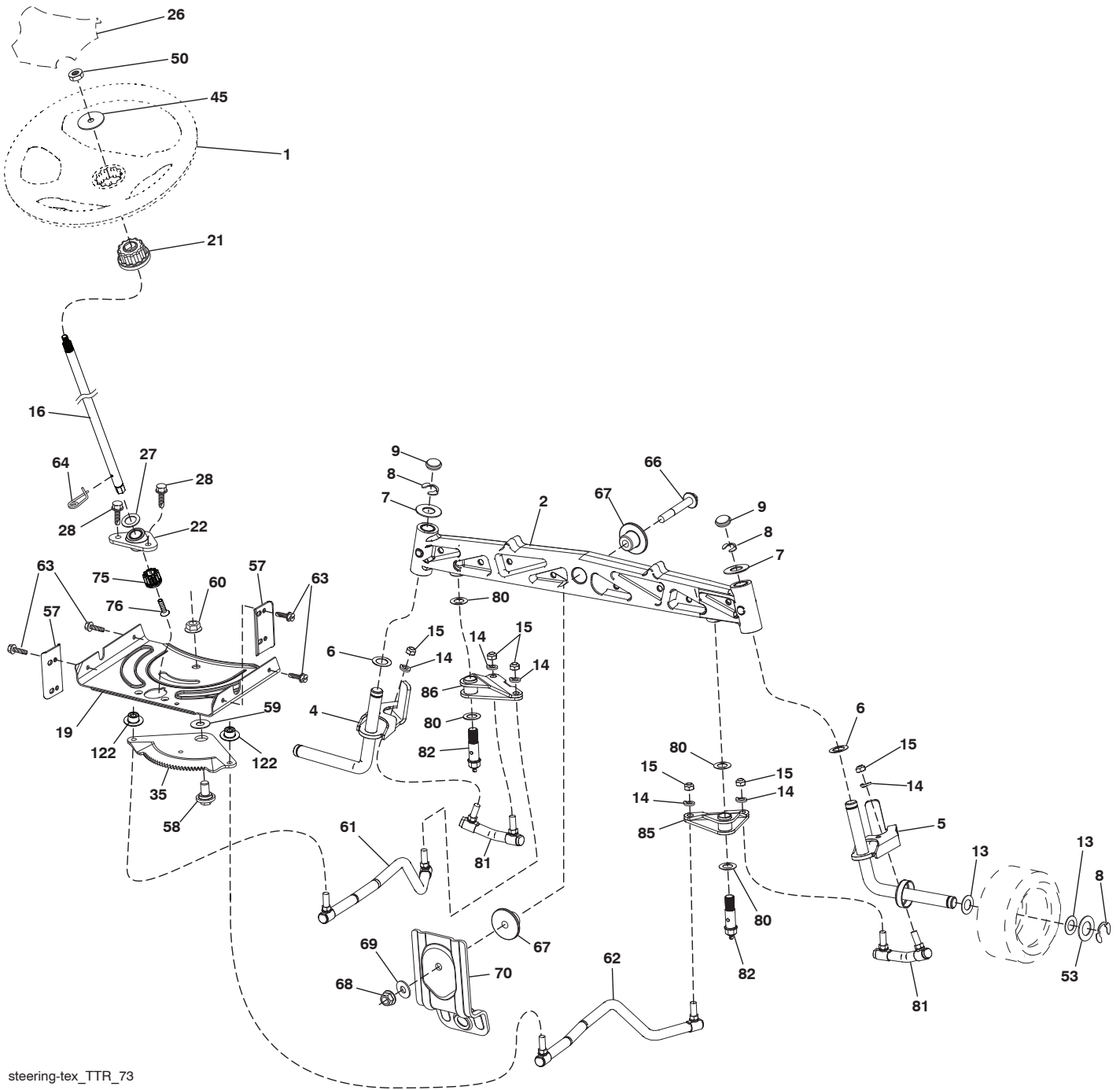


**TRACTOR - - MODEL NO. TS 346 (96041037200), PRODUCT NO. 960 41 03-72
ENGINE 24**

| KEY NO. | PART NO. | DESCRIPTION |
|------------|--------------|---|
| 1 | - - - - - | Briggs&Stratton 44U677-0005-B1 (590203501)(Order parts from engine manufacturer.) |
| 2 | 532 44 59-62 | Muffler |
| 9 | 501 83 26-02 | Keeper Belt Engine |
| 11 | 587 24 16-01 | Clutch Electric |
| 12 | 532 40 50-97 | Pulley Engine |
| 15 | 532 19 34-99 | Tank Fuel 4.0 |
| 18 | 584 24 87-01 | Cap Fuel |
| 20 | 587 24 27-01 | Control Throttle/Choke |
| 21 | 532 41 63-58 | Screw #10 x 0.750 |
| 28 | 532 14 21-58 | Fuel Line |
| 29 | 532 13 71-80 | Spark Arrester Kit |
| 37 | 532 12 34-87 | Clamp Hose |
| 41 | 532 12 61-97 | Washer 1-1/2 OD x 15/32 ID x .250 |
| 42 | 810 04 07-00 | Washer Lock 7/16 |
| 45 | 873 51 04-00 | Nut Keps 1/4-20 unc |
| 62 | 532 43 40-17 | Shield Heat Muffler |
| 69 | 532 16 53-91 | Gasket |
| 70 | 581 88 11-01 | Tube Exhaust LH |
| 71 | 581 88 10-01 | Tube Exhaust RH |
| 79 | 532 18 39-06 | Screw |
| 81 | 532 14 84-56 | Tube Drain Oil Easy |
| 82 | 532 42 82-87 | Valve Oil Drain |
| 84 | 817 06 06-20 | Screw |
| 85 | 501 60 66-01 | Bolt 7/16-20 x 3.75 Gr. 5 |
| 90 | 817 00 06-16 | Screw 3/8-16 x 1 |
| 102 | 817 00 05-12 | Screw 5/16-18 x 3/4 |
| 105 | 501 26 86-02 | Shield Side LH |
| 106 | 501 26 87-02 | Shield Side RH |
| 108 | 587 17 95-03 | Cover Pulley Engine w/SHLD 46" |
| 115 | 532 43 17-61 | Palnut #10 |
| 116 | 539 13 26-24 | Knob Shift |
| 136 | 532 42 17-56 | Screw, #10 0.500, BOS |

NOTE: All component dimensions given in U.S. inches
1 inch = 25.4 mm

TRACTOR - - MODEL NO. TS 346 (96041037200), PRODUCT NO. 960 41 03-72
STEERING ASSEMBLY **41**



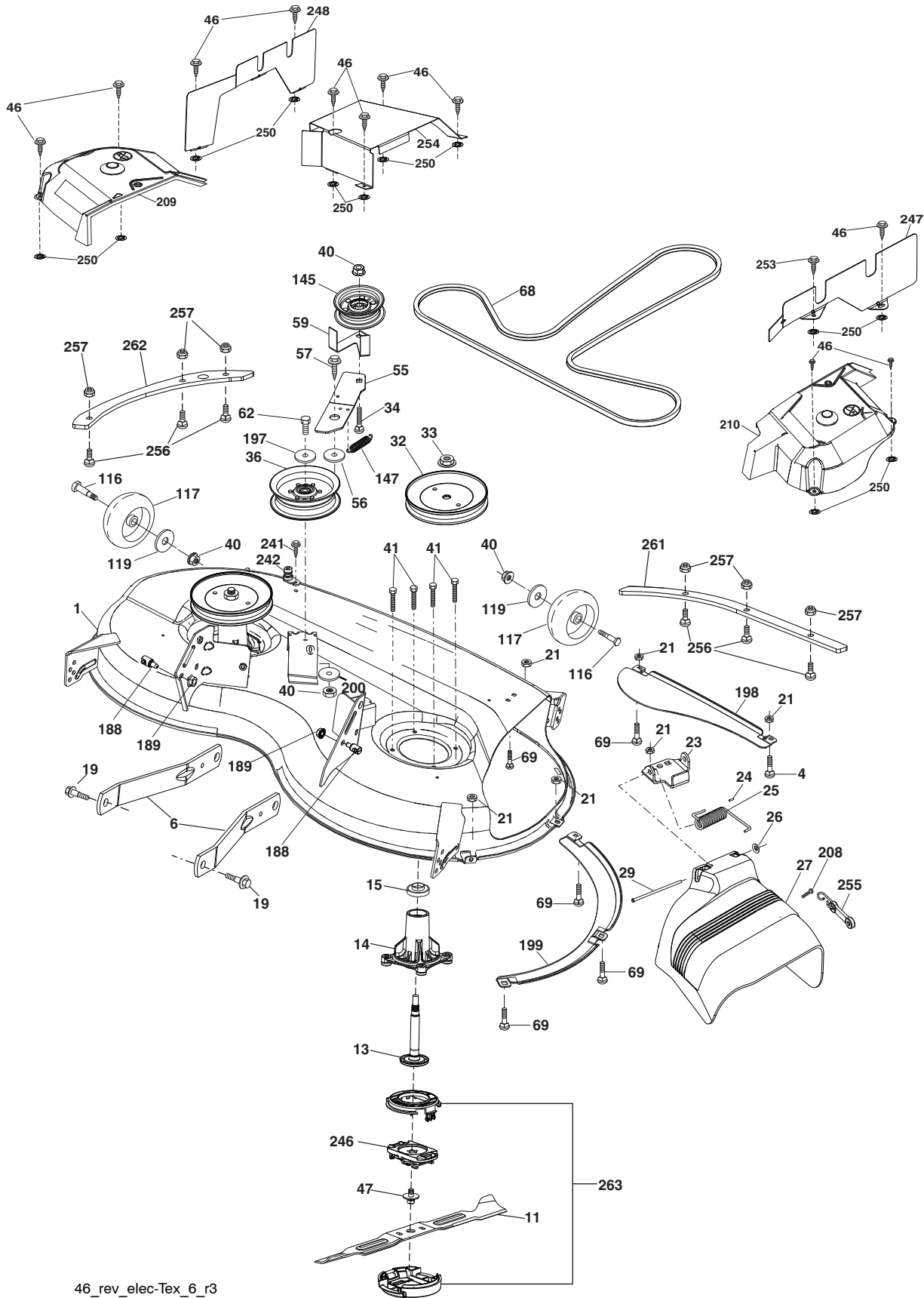
steering-tex_TTR_73

TRACTOR - - MODEL NO. TS 346 (96041037200), PRODUCT NO. 960 41 03-72
STEERING ASSEMBLY 41

| KEY NO. | PART NO. | DESCRIPTION |
|----------------|-----------------|-------------------------------------|
| 1 | 532 43 97-40 | Wheel, Steering |
| 2 | 532 41 35-91 | Axle Asm., Front |
| 4 | 532 43 68-73 | Spindle Asm., LH |
| 5 | 532 43 68-74 | Spindle Asm., RH |
| 6 | 532 12 49-31 | Washer Thrust 0.75 x 1.23 |
| 7 | 532 12 17-48 | Washer 25/32 x 1-5/8 x 16 Ga. |
| 8 | 812 00 00-29 | Ring, Klip #T5304-75 |
| 9 | 532 12 12-32 | Cap, Spindle |
| 13 | 532 12 17-49 | Washer 25/32 x 1-1/4 x 16 Ga. |
| 14 | 810 04 06-00 | Washer, Lock 3/8 |
| 15 | 873 54 06-00 | Nut, Crown Lock 3/8-24 unf |
| 16 | 587 01 60-02 | Shaft Steering |
| 19 | 532 19 47-29 | Plate Steering |
| 21 | 586 84 02-01 | Adapter, Wheel Steering Splnd Alum |
| 22 | 585 02 99-01 | Bearing Subasm Shaft Steer Low |
| 26 | 532 43 97-43 | Insert, Wheel Steering |
| 27 | 819 21 16-16 | Washer 21/32 x 1 x 16 Ga. |
| 28 | 817 00 06-12 | Screw 3/8-16 x 3/4 |
| 35 | 532 44 07-70 | Gear, Sector Plate |
| 45 | 587 01 64-01 | Washer 3/8 ID 2-3/8OD 12 Ga. PLTD |
| 50 | 873 90 06-00 | Nut Lock Flg. 3/8-16 unc |
| 53 | 532 18 89-67 | Washer Hardened .793 x 1.637 x .060 |
| 57 | 532 40 74-65 | Bracket Upstop |
| 58 | 532 19 47-47 | Bolt Shoulder Sector Pivot CFM |
| 59 | 532 19 47-48 | Washer Thrust Sector Steering |
| 60 | 873 97 10-00 | Nut Flange Lock 5/8-11 |
| 61 | 581 92 62-02 | Draglink, LH |
| 62 | 581 92 63-02 | Draglink, RH |
| 63 | 817 00 05-12 | Screw 5/16-18 x 3/4 |
| 64 | 532 19 98-49 | Retainer Clip Spring Steering |
| 66 | 871 02 07-48 | Bolt Hex Fghd 7/16-14 x 3 Serr |
| 67 | 532 19 47-37 | Bushing PM Front Axle |
| 68 | 873 90 07-00 | Nut Lock Flange 7/16-14 Gr. 5 |
| 69 | 532 19 91-62 | Washer 1.5 x .505 x .118 |
| 70 | 585 33 88-01 | Bracket Deck Susp. Front |
| 75 | 580 68 37-01 | Pinion |
| 76 | 580 68 36-01 | Screw Head Sock |
| 80 | 532 00 13-70 | Washer |
| 81 | 532 43 68-87 | Link Cross RH |
| 82 | 532 44 21-47 | Pivot Bolt |
| 85 | 532 44 18-73 | Pivot RH |
| 86 | 532 44 18-72 | Pivot LH |
| 122 | 532 44 49-62 | Cap Gear Sector TFX |

NOTE: All component dimensions given in U.S. inches
1 inch = 25.4 mm

TRACTOR - - MODEL NO. TS 346 (96041037200), PRODUCT NO. 960 41 03-72
 MOWER DECK 44



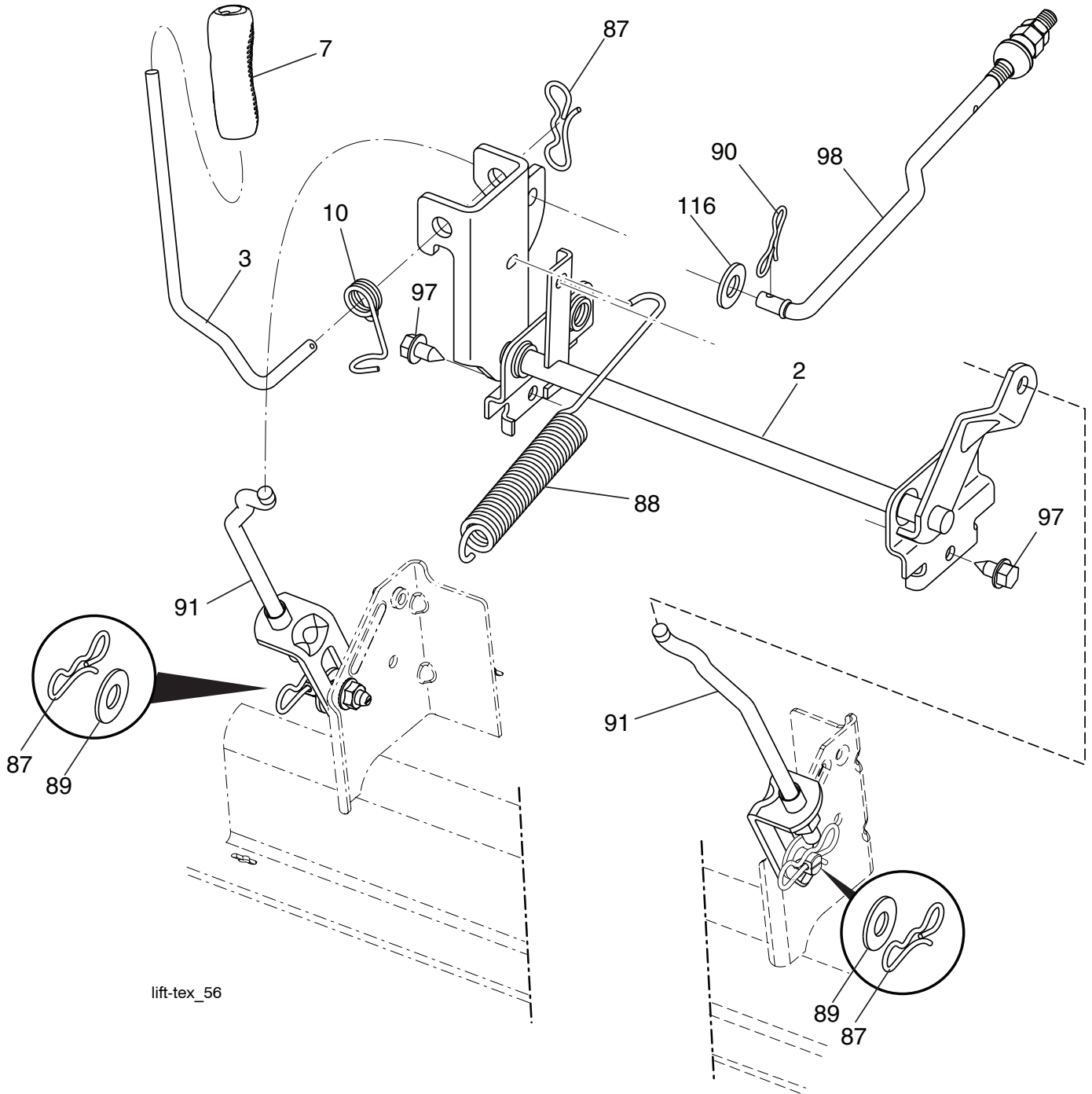
46_rev_elec-Tex_6_r3

**TRACTOR - - MODEL NO. TS 346 (96041037200), PRODUCT NO. 960 41 03-72
MOWER DECK 44**

| KEY NO. | PART NO. | DESCRIPTION | KEY NO. | PART NO. | DESCRIPTION |
|---------|--------------|------------------------------------|---------|--------------|--|
| 1 | 589 53 53-08 | Mower Housing | 188 | 532 19 51-61 | Stud Fastener |
| 4 | 874 76 05-12 | Bolt Hex Hd 5/16-18 unc | 189 | 873 90 05-00 | Nut Lock Hex Flange |
| 6 | 532 19 51-86 | Arm Suspension | 197 | 819 13 13-12 | Washer 13/32 x 13/16 x 12 Ga. |
| 11 | 581 04 39-01 | Blade Mower | 198 | 532 40 31-49 | Baffle Center Front |
| 13 | 580 85 47-01 | Shaft Asm. Rev. Tall | 199 | 532 40 31-50 | Baffle Front RH |
| 14 | 580 79 61-01 | Housing, Mandrel | 200 | 532 41 35-24 | Washer 13/32 x 1 x 1/2 11 Ga. |
| 15 | 585 32 39-01 | Bearing, Mandrel | 208 | 817 67 06-08 | Screw THDROL 3/8-16 x 1/2 |
| 19 | 532 19 65-39 | Bolt, Shoulder | 209 | 588 80 87-01 | Cover Asm Mandrel LH |
| 21 | 873 68 05-00 | Nut | 210 | 532 43 23-96 | Cover Asm Mandrel RH |
| 23 | 532 19 25-57 | Bracket, Deflector | 241 | 532 15 29-27 | Screw |
| 24 | 532 10 53-04 | Cap, Sleeve | 242 | 532 41 55-98 | Washout Port |
| 25 | 532 19 70-26 | Spring, Torsion, Deflector | 246 | 580 95 40-03 | Blade Holder |
| 26 | 532 11 04-52 | Nut, Push | 247 | 532 43 02-63 | Shield Deck RH |
| 27 | 532 44 28-95 | Shield, Deflector | 248 | 532 43 02-62 | Shield Deck LH |
| 29 | 532 13 14-91 | Rod, Hinge | 250 | 532 42 30-62 | Palnut 1/4 |
| 32 | 532 19 74-73 | Pulley, Mandrel | 253 | 532 42 73-50 | Rivet |
| 33 | 532 40 02-34 | Nut, Toplock, Flanged | 254 | 532 43 23-99 | Cover Asm Rear |
| 34 | 872 11 06-12 | Bolt Carr Sh. 3/8-16 x 1-1/2 Gr. 5 | 255 | 532 43 60-87 | Kit Bungee |
| 36 | 532 19 73-79 | Pulley, Idler, Flat | 256 | 539 10 98-00 | Carriage Bolt 1/4-20 x 1 Gr. 5 |
| 40 | 873 90 06-00 | Nut, Lock Flg. 3/8-16 unc | 257 | 873 90 04-00 | Nut Hex Flange 1/4-20 unc |
| 41 | 584 95 39-01 | Bolt Hex Washer Head 3/8-16 x 1.19 | 261 | 589 48 18-05 | Plate Reinforcement Front |
| 46 | 532 13 77-29 | Screw | 262 | 589 48 20-05 | Plate Reinforcement Side |
| 47 | 584 30 93-01 | Screw | 263 | 586 63 85-01 | Upper/Lower Cap Asm. |
| 55 | 532 19 72-49 | Arm, Idler | -- | 587 12 61-05 | Mandrel Assembly-Tall (Includes Housing (Key #14), Shaft Assembly (Key #13), and Bearing Only (Key #15) Pulley/Nut/Washer and Blade Bolt/Washers Not Included) |
| 56 | 532 19 90-92 | Spacer, Retainer | | | |
| 57 | 817 00 06-16 | Screw Hexwsh Thd 3/8-16 x 1 | | | |
| 59 | 532 14 10-43 | Guard, Tuv Idler (94) | | | |
| 62 | 874 52 06-36 | Bolt 3/8-16 unc x 2-1/4 Gr. 5 | | | |
| 68 | 532 40 51-43 | V-Belt | -- | 586 26 49-01 | Replacement Mower, Complete |
| 69 | 872 14 05-05 | Bolt | | | |
| 116 | 532 19 34-06 | Bolt, Shoulder | | | |
| 117 | 532 17 48-73 | Wheel, Gauge | | | |
| 119 | 819 13 20-12 | Washer 13/32 x 1-1/2 x 11 Ga. | | | |
| 145 | 532 19 31-97 | Pulley Idler | | | |
| 147 | 532 19 72-51 | Spring Return | | | |

NOTE: All component dimensions given in U.S. inches
1 inch = 25.4 mm

TRACTOR - - MODEL NO. TS 346 (96041037200), PRODUCT NO. 960 41 03-72
MOWER LIFT 45

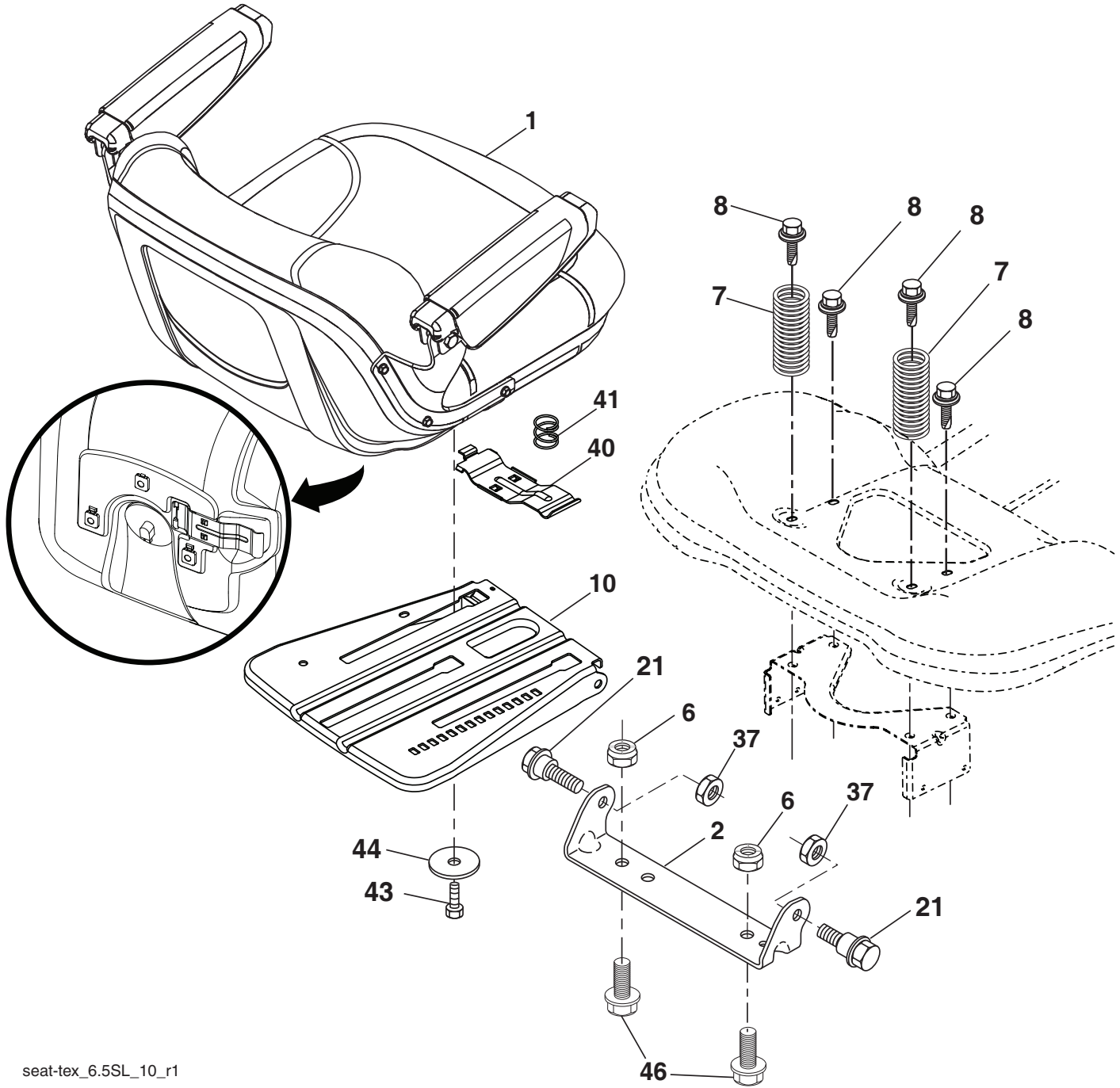


| KEY NO. | PART NO. | DESCRIPTION |
|---------|--------------|------------------------------|
| 2 | 532 42 20-27 | Shaft Asm., Lift |
| 3 | 532 19 52-30 | Lever Asm., Lift RH |
| 7 | 580 96 23-01 | Grip, Lever |
| 10 | 532 19 63-14 | Spring Torsion |
| 87 | 532 19 42-09 | Pin Cotter 7/16 Bow Tie Lock |
| 88 | 532 41 07-10 | Spring Lift Assist |
| 89 | 819 19 19-12 | Washer Clear Zinc |
| 90 | 532 19 42-08 | Pin Cotter 5/16 Bow Tie Lock |

| KEY NO. | PART NO. | DESCRIPTION |
|---------|--------------|---------------------------------|
| 91 | 532 19 51-81 | Lift Link Asm. Rear |
| 97 | 817 00 06-12 | Screw 3/8-16x.75 Smgml. Tap/R.Z |
| 98 | 532 19 52-70 | Link Asm. Susp. Front Mower |
| 116 | 819 15 15-16 | Washer 15/32 x 15/16 x 16 Ga. |

NOTE: All component dimensions given in U.S. inches
 1 inch = 25.4 mm

**TRACTOR - - MODEL NO. TS 346 (96041037200), PRODUCT NO. 960 41 03-72
SEAT ASSEMBLY 42**



seat-tex_6.5SL_10_r1

| KEY NO. | PART NO. | DESCRIPTION |
|---------|--------------|-------------------------------|
| 1 | 532 44 32-63 | Seat |
| 2 | 532 18 01-66 | Bracket Pivot Fender |
| 6 | 873 80 06-00 | Nut, Lock W/Ins. 3/8-16 unc |
| 7 | 587 61 33-01 | Spring, Seat Cprsn |
| 8 | 532 17 18-77 | Bolt 5/16-18 unc x 3/4 w/Sems |
| 10 | 532 19 69-77 | Pan, Seat |
| 21 | 587 90 78-01 | Bolt, Shoulder 5/16-18 X 5/8 |
| 37 | 873 80 05-00 | Nut, Lock 5/16-18 unc |

| KEY NO. | PART NO. | DESCRIPTION |
|---------|--------------|-------------------------------|
| 40 | 532 19 76-61 | Handle Slide Seat |
| 41 | 532 19 82-00 | Spring Latch Seat |
| 43 | 874 76 06-12 | Bolt Fin Hex 3/8-16 unc x 3/4 |
| 44 | 819 13 38-12 | Washer 13/32 x 2-3/8 x 12 Ga. |
| 46 | 588 09 04-01 | Bolt 3/8-16 x 1, 1.25 |

NOTE: All component dimensions given in U.S. inches
1 inch = 25.4 mm

