

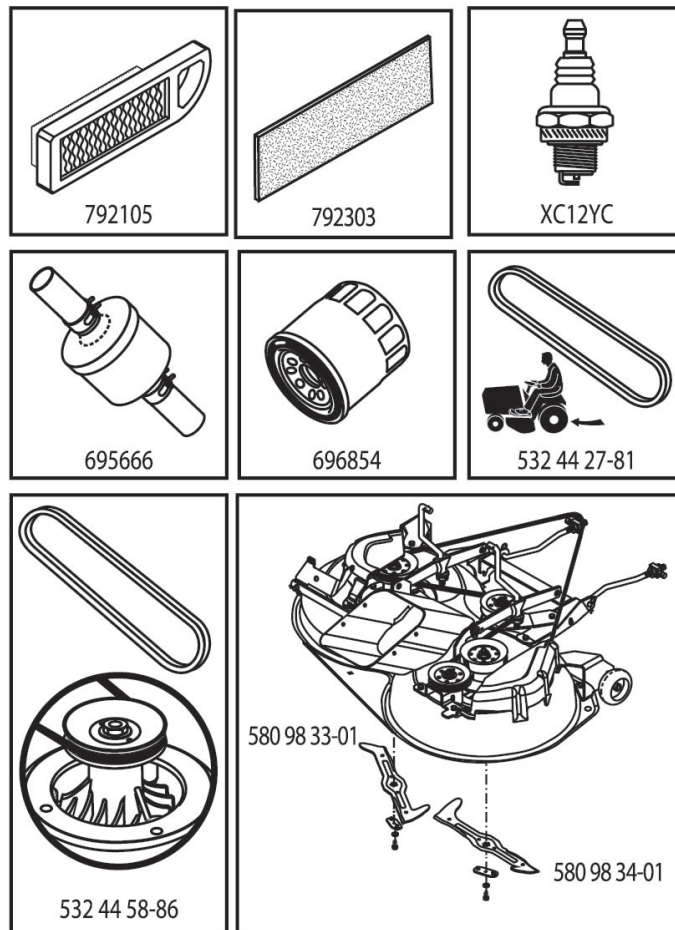
ILLUSTRATED PARTS LIST

MFG. ID NO. 96051012800

CUSTOMER CATALOG NO. TC 338

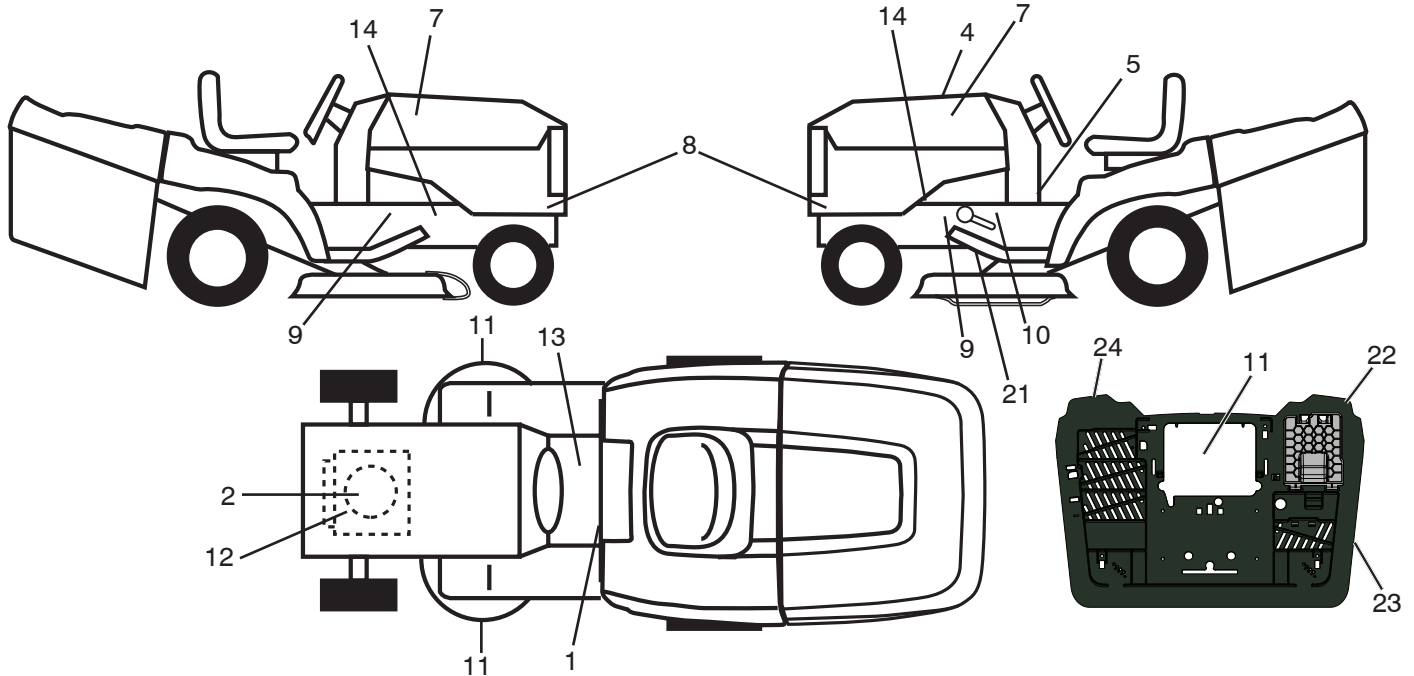
PRODUCT NO. 960 51 01-28

47



587386001

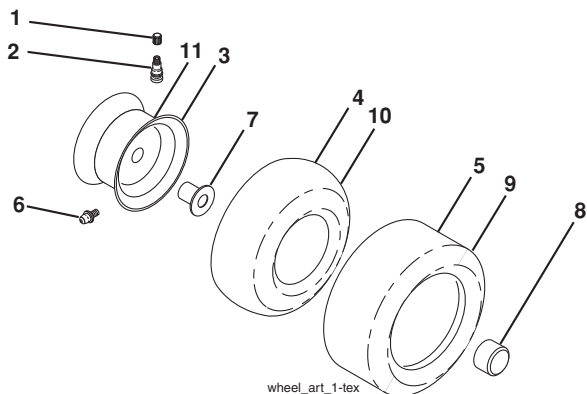
**TRACTOR - - MODEL NO. TC 338 (96051012800), PRODUCT NO. 960 51 01-28
DECALS 27**



KEY NO.	PART NO.	DESCRIPTION
1	586 34 95-01	Decal, FNDR
2	581 57 97-01	Decal, Warning Eng. Sym.
4	587 38 60-01	Decal, Replacement
5	581 57 84-01	Decal, Lower Dash
7	581 62 73-01	Decal, Hood
8	587 39 67-01	Decal, Side Panel
9	581 57 98-01	Decal, Warning
10	532 41 86-00	Decal, Pedal
11	581 57 91-01	Decal, Mower Cut Finger Symbol
12	587 46 91-01	Decal, Engine B&S
13	586 80 03-01	Decal, Tractor Saddle

KEY NO.	PART NO.	DESCRIPTION
14	581 57 96-01	Decal, Chassis Hot Muffler
21	532 44 11-89	Decal, Belt Schematic
22	532 44 51-02	Decal, Battery Door
23	532 44 46-19	Decal, Bypass
24	532 44 54-93	Decal, Warning Combined
--	532 44 14-09	Pad Footrest LH
--	532 44 14-10	Pad Footrest RH
--	588 89 37-20	Manual Operator's (Euro)
--	588 89 37-10	Manual Operator's (Scan)
--	588 89 37-50	Manual Operator's (EBloc)
--	588 89 37-40	Manual Operator's (Baltic)

WHEELS AND TIRES



KEY NO.	PART NO.	DESCRIPTION
1	532 05 91-92	Cap Valve Tire
2	532 06 51-39	Stem Valve
3	532 13 83-36	Rim Front
4	532 05 99-04	Tube Front (Service Item Only)
5	532 10 62-22	Tire Front 15 x 6-6
6	532 12 49-57	Fitting Grease (Front Wheel Only)
7	532 12 49-59	Bearing Flange (Front Wheel Only)
8	532 17 50-39	Cap Axle Blk 1 50 x 1 00
9	532 42 05-31	Tire R 18 x 9.5-8
10	532 12 49-26	Tube Rear (Service Item Only)
11	532 13 83-37	Rim Asm 8" Rear
--	532 14 43-34	Sealant, Tire (10 oz. Tube)

NOTE: All component dimensions given in U.S. inches
1 inch = 25.4 mm

TRACTOR - - MODEL NO. TC 338 (96051012800), PRODUCT NO. 960 51 01-28

SCHEMATIC **38**

SCH31

SMART IGNITION SWITCH (S.I.S.)

NO USER SERVICEABLE PARTS INSIDE

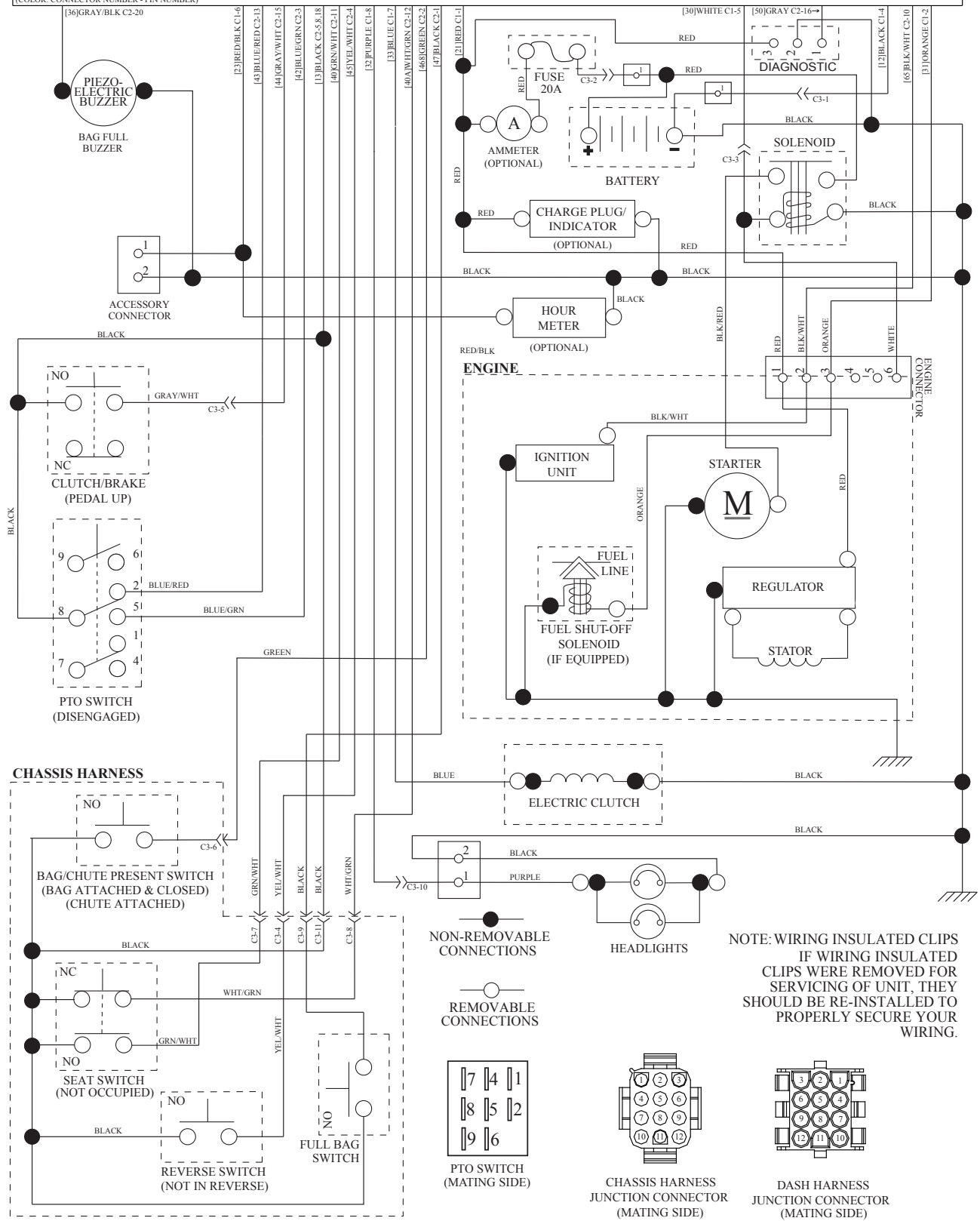
(COLOR: CONNECTOR NUMBER - PIN NUMBER)

DO NOT OPEN!
 -PERMANENT DAMAGE CAN RESULT IF PROPER DIAGNOSTIC PROCEDURES ARE NOT FOLLOWED.
 -CONTACT YOUR DEALER OR AUTHORIZED SERVICE CENTER FOR REPAIR.

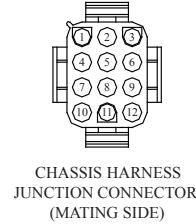
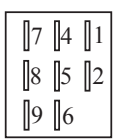


SENSITIVE ELECTRONIC COMPONENTS INSIDE!

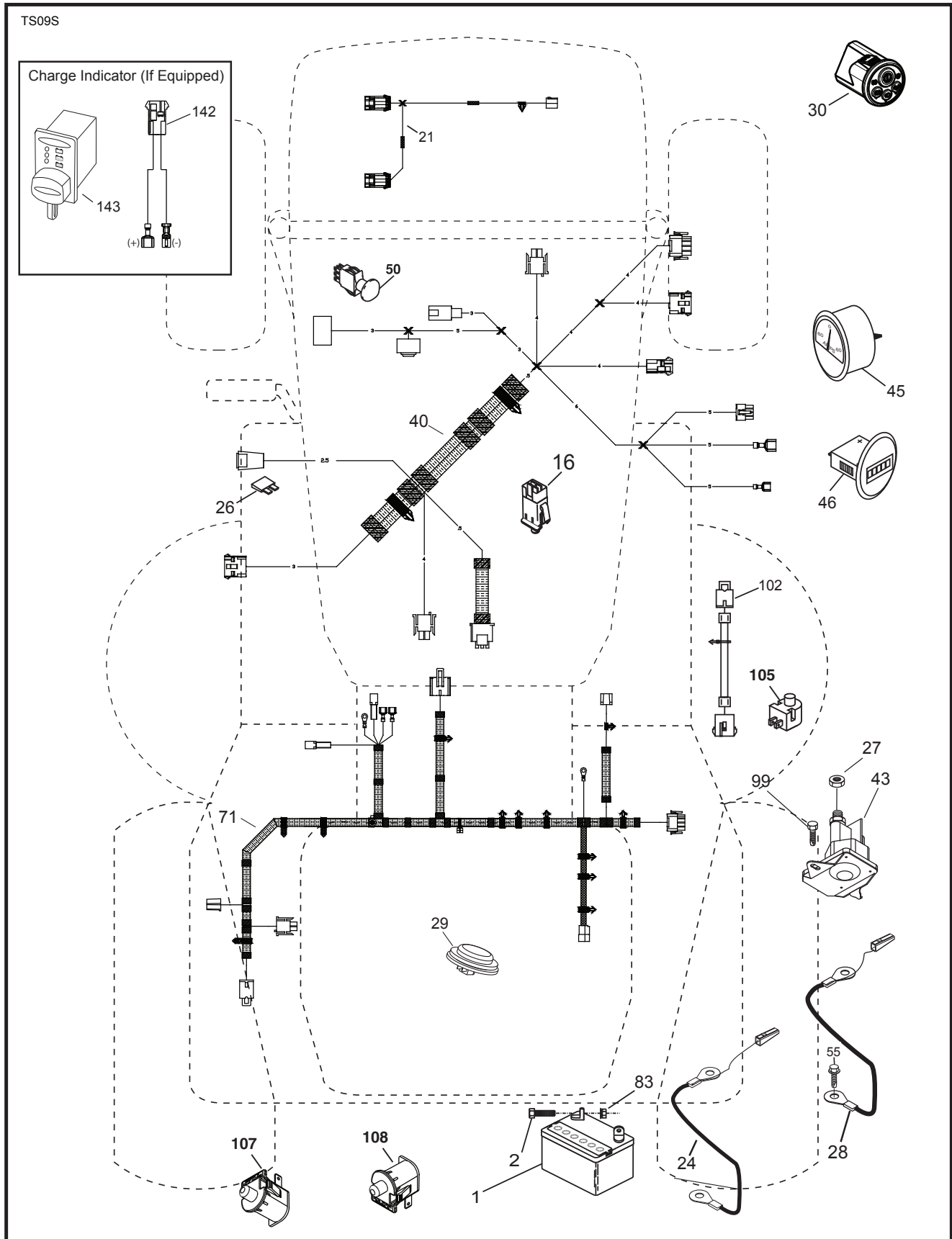
ATTENTION
 OBSERVE PRECAUTIONS FOR HANDLING ELECTROSTATIC SENSITIVE DEVICES



NOTE: WIRING INSULATED CLIPS IF WIRING INSULATED CLIPS WERE REMOVED FOR SERVICING OF UNIT, THEY SHOULD BE RE-INSTALLED TO PROPERLY SECURE YOUR WIRING.



TRACTOR - - MODEL NO. TC 338 (96051012800), PRODUCT NO. 960 51 01-28
 ELECTRICAL **32**

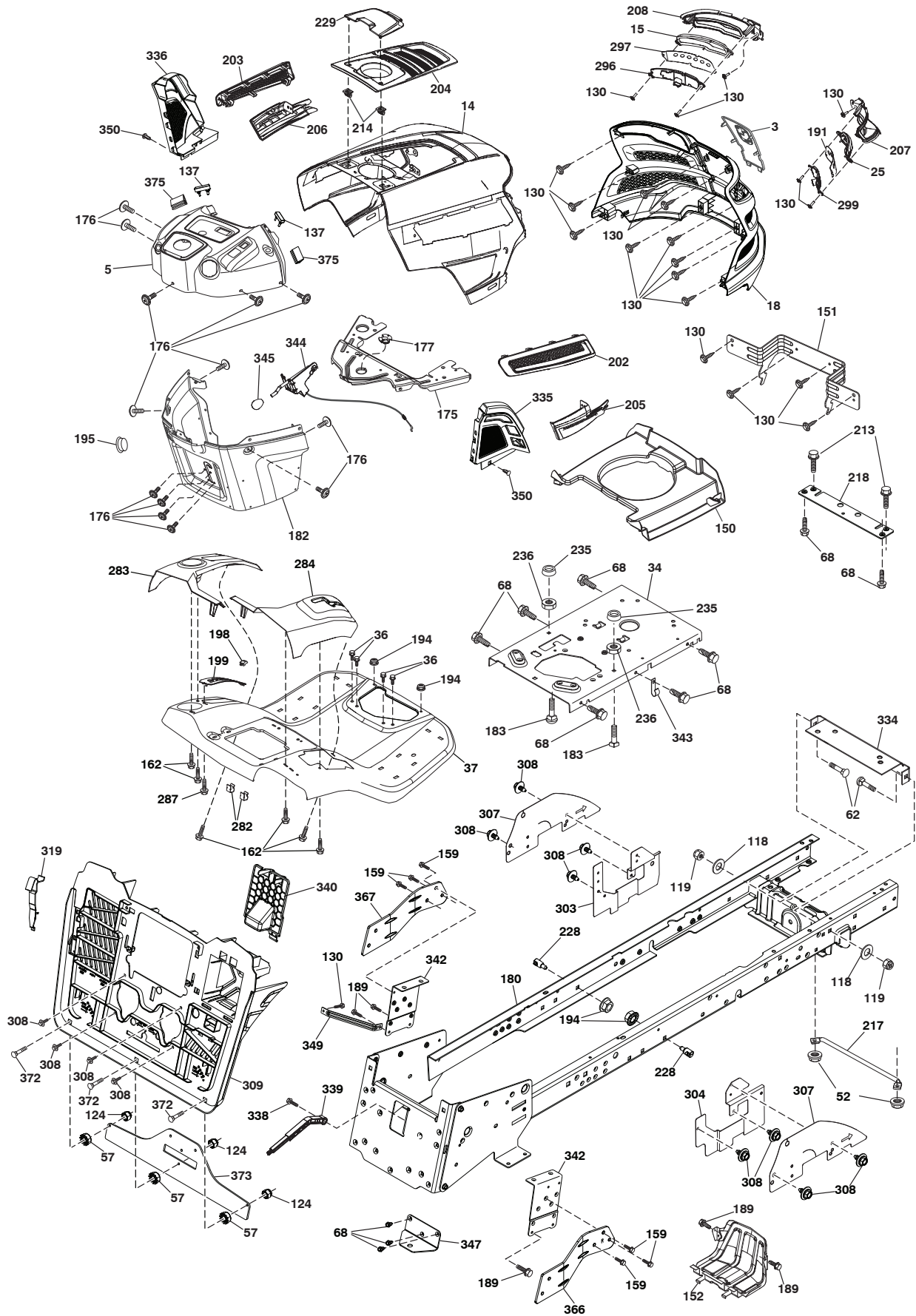


**TRACTOR - - MODEL NO. TC 338 (96051012800), PRODUCT NO. 960 51 01-28
ELECTRICAL 32**

KEY NO.	PART NO.	DESCRIPTION
1	532 43 71-57	Battery
2	532 44 09-23	Screw Hex Hd Cap M6 x 1.12MM
16	532 17 61-38	Switch Interlock Push-In
21	585 43 64-01	Harness Light
24	585 73 43-02	Cable Battery Positive
26	532 17 51-58	Fuse
27	873 51 04-00	Nut Keps Hex 1/4-20 unc
28	585 30 69-03	Cable, Ground
29	581 42 93-02	Switch, Seat
30	586 83 67-03	Switch, Ign Smart
40	585 21 65-02	Harness Ign. Dash
43	532 19 25-07	Solenoid
45	587 55 39-03	Ammeter Guage Round
46	587 55 40-03	Gauge Serviceminder Hrmtr
50	532 17 46-51	Switch PTO
55	817 06 05-12	Screw Thdrol 5/16-18 x 3/4 TYTT
71	585 21 66-01	Harness Ignition Chassis
83	532 43 67-74	Nut Square M6 x 1.8.5 x 11MM
99	817 72 04-08	Screw 1/4-20 x 1/2
102	532 44 12-62	Harness Jumper
105	532 40 75-68	Switch Reverse
107	532 18 03-79	Switch Full Bagger
108	532 16 07-84	Switch
142	583 85 78-01	Charge Port Pigtail
143	532 44 80-59	Charge Port

NOTE: All component dimensions given in U.S. inches
1 inch = 25.4 mm

TRACTOR - - MODEL NO. TC 338 (96051012800), PRODUCT NO. 960 51 01-28
CHASSIS AND ENCLOSURES 39

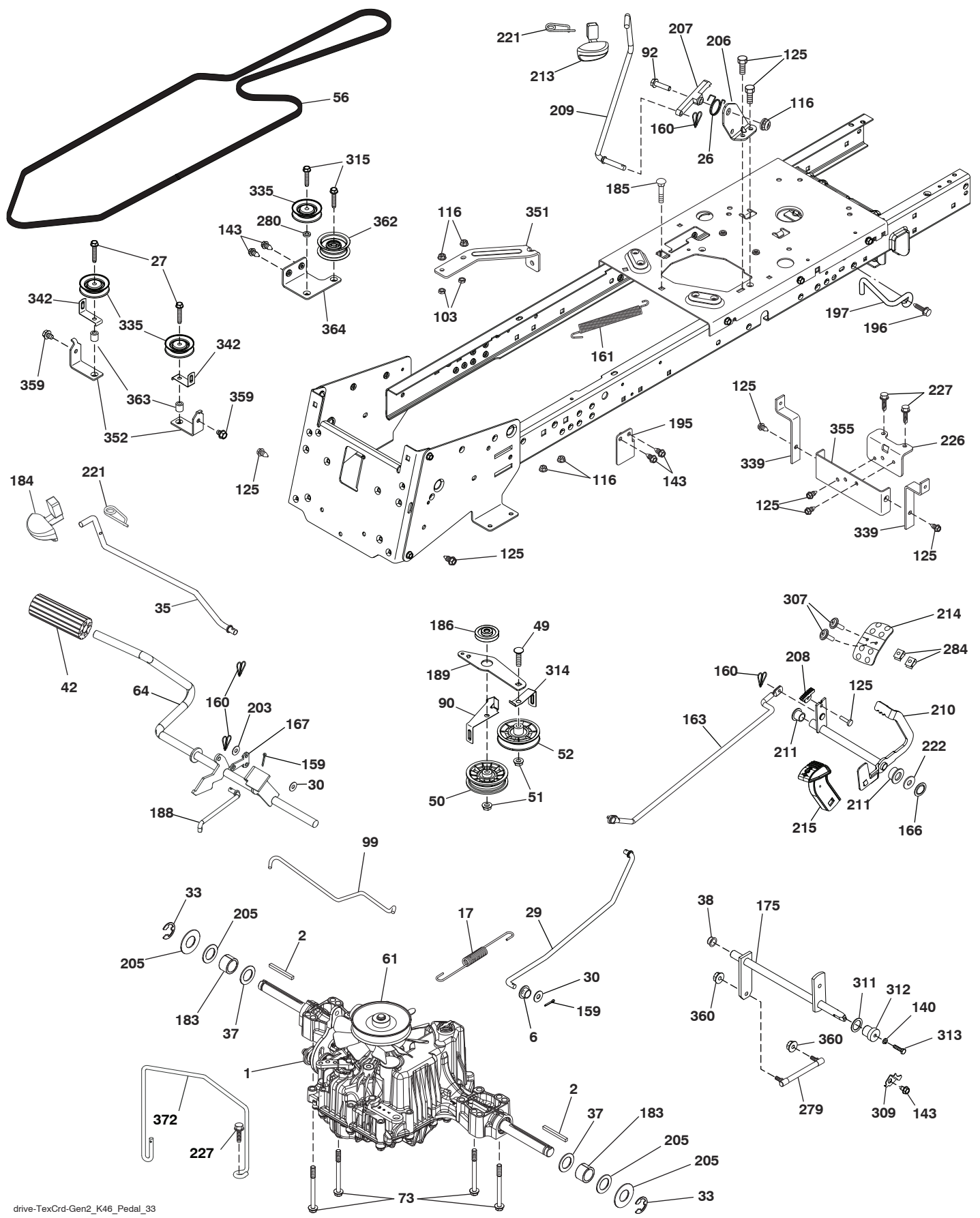


**TRACTOR - - MODEL NO. TC 338 (96051012800), PRODUCT NO. 960 51 01-28
CHASSIS AND ENCLOSURES 39**

KEY NO.	PART NO.	DESCRIPTION	KEY NO.	PART NO.	DESCRIPTION
3	532 44 44-81	Applique	297	586 18 29-01	Insert Reflective LH
5	581 67 42-02	Dash	299	585 42 04-01	LED Light RH
14	532 44 11-77	Hood	303	587 49 31-02	Shield Chassis LH
15	585 42 03-01	Lens LH	304	587 49 27-02	Shield Chassis RH
18	532 44 06-53	Grille	307	587 49 45-01	Shield Upper
25	585 42 02-01	Lens RH	308	532 17 18-77	Bolt 5/16-18 unc x 3/4
34	580 91 09-01	Plate Engine	309	581 32 89-07	Backplate
36	817 06 05-12	Screw 5/16-18 x 3/4	319	581 31 39-06	Lever Bag
37	532 44 13-69	Fender	334	532 44 25-37	Bracket Engine
52	873 68 05-00	Nut Lock 5/16-18	335	532 44 82-04	Cover RH Lower Close Out
57	873 51 04-00	Nut Keps w/insert 1/4-20 unc	336	532 44 53-09	Cover LH Lower Close Out
62	872 11 06-08	Bolt RdHd Sqnk 3/8-16 x 1 Gr. 5	338	532 43 66-40	Bolt Shoulder
68	817 49 05-08	Screw Thdrol 5/16-18 x 1/2	339	532 43 66-41	Lever Bagger Full
118	819 13 13-16	Washer 13/32 x 13/16 x 16 Ga.	340	581 32 90-01	Door Battery
119	873 68 06-00	Nut Crownlock 3/8-16 unc	342	532 43 59-38	Supprt Fender
124	873 80 04-00	Nut Lock w/insert 1/4-20 unc	343	532 44 07-49	Clip
130	532 41 63-58	Screw #10 x 0.750	344	532 43 89-70	Control EZ Mulch
137	532 40 75-90	Bumper Dash	345	532 44 06-39	Knob
150	532 43 97-74	Air Duct	347	532 44 28-87	Hitch Tow
151	532 43 66-70	Bracket Pivot	349	532 43 66-06	Bracket Support
152	532 43 98-70	Shield Browning	350	532 44 51-43	Clip X-Mas Tree
159	817 00 06-12	Screw Hexwsh Thrd 3/8-16 x 3/4	366	581 31 46-02	Bracket RH Front Bagger
162	532 14 24-32	Screw	367	581 31 45-02	Bracket LH Front Bagger
175	532 19 63-04	Crossmember	372	539 10 98-00	Carriage Bolt 1/4-20 x 1 Gr5
176	532 40 07-76	Screw 10-24 x 5/8	373	586 29 98-03	Backplate Support
177	532 19 52-28	Bushing Steering	375	586 90 82-01	Dash Clip-On Bumper
180	583 90 27-01	Chassis	--	586 29 76-01	Plug Switch
182	532 43 89-67	Dash Lower	--	532 43 18-82	Kit Brush Guard
183	874 52 05-20	Bolt 5/16-18 x 1-1/4	--	501 76 47-01	Kit ID Box –This kit includes Battery
189	817 00 05-12	Screw 5/16-18 x 3/4			Hardware (532 44 09-23 Screw
191	586 18 28-01	Insert Reflective RH			Hex Head Cap M6 X 1.2MM), 532
194	873 90 05-00	Nut Lock Hex Flange 5/16-18			43 67-74 Nut Square M6 x 1.8.5 x
195	532 40 41-37	Plug Hole Dash Lower			11MM; refer to pages 4 & 5 in this
198	532 44 15-52	Indicator Deck Lift			IPL, Chassis Parts/Hardware (532
199	532 41 87-39	Plate Deck Lift			44 28-87 Tow Hitch), (532 43 66-41
202	532 43 97-28	Vent Side Hood RH			Bagger Full Lever); refer to pages
203	532 43 97-27	Vent Side Hood LH			6 & 7 in this IPL, Bagger Parts/
204	532 44 06-65	Vent Top Hood			Hardware (532 44 55-28 Bagger
205	532 43 97-30	Skirt Hood Side RH			Spring Latch), (817 49 04-12 Screw
206	532 43 97-29	Skirt Hood Side LH			Hexwsh Thdrol 1/4-20x3/4), (873 90
207	585 42 00-01	Bezel RH			04-00 Nut Hex Flange 1/4-20 unc),
208	585 42 01-01	Bezel LH			(817 00 06-12 Screw Hexwsh Trdr
213	874 76 05-12	Bolt 5/16-18 x 3/4			3/8-16 x 3/4), (872 11 06-08 Bolt
214	532 19 91-45	Clip Retainer Tinner			Rdhd Sqnk 3/8-16 x 1 Gr. 5), (873
217	532 40 91-67	Rod Pivot			80 06-00 Nut Lock 3/8-16 unc); refer
218	532 19 63-95	X-Piece Hood Stop			to pages 18 & 19 in this IPL.
228	532 19 51-61	Stud Fastner			
229	532 44 14-63	Lid Ext			
235	532 40 61-29	Spacer Fender			
236	873 93 05-00	Nut Lock 5/16-18 unc			
282	532 41 41-10	Clip Retainer			
283	532 44 72-12	Console Deck Lift LH			
284	532 44 72-20	Console Shft RH			
287	817 60 04-06	Screw 1/4-20 x 3/8			
296	585 42 05-01	LED Light LH			

NOTE: All component dimensions given in U.S. inches
1 inch = 25.4 mm

TRACTOR - - MODEL NO. TC 338 (96051012800), PRODUCT NO. 960 51 01-28
DRIVE 40

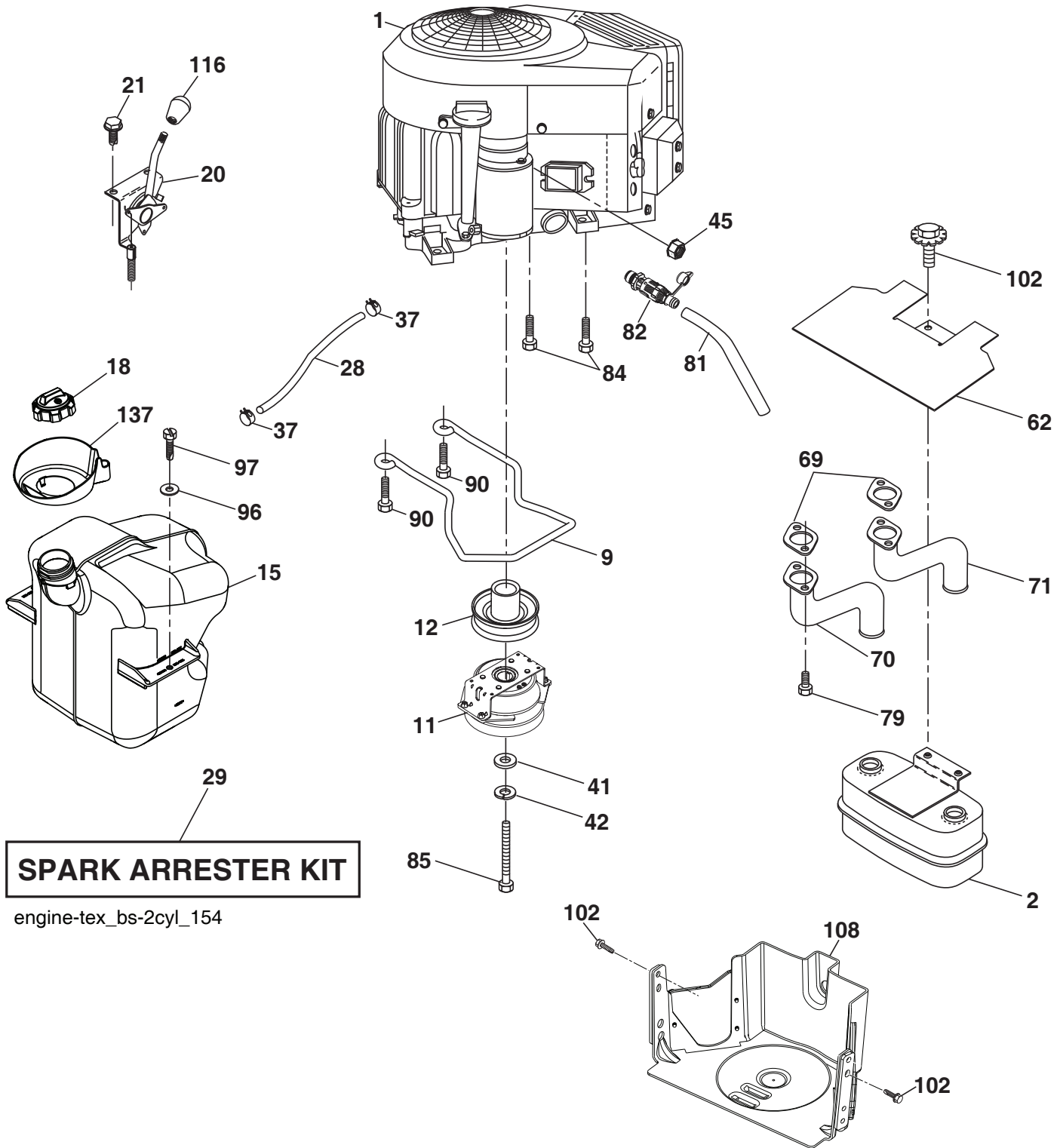


drive-TexCrd-Gen2_K46_Pedal_33

**TRACTOR - - MODEL NO. TC 338 (96051012800), PRODUCT NO. 960 51 01-28
DRIVE **40****

KEY NO.	PART NO.	DESCRIPTION	KEY NO.	PART NO.	DESCRIPTION
1	---	Transaxle, Tufftorq K46DF (446488) (Order parts from trans-axle manufacturer.)	195	580 45 69-01	Bracket Rod Brake CRD Tex
2	532 12 35-83	Key Square	196	817 00 06-16	Screw 3/8-16 x 1 Smgml Tap/R Blk
6	532 12 40-28	Bushing Snap	197	585 65 86-01	Link Clutch Anti-Rotation
17	532 43 62-27	Spring Brake K46	203	819 11 11-16	Washer 11/32 x 11/16 x 16 Ga.
26	532 19 96-79	Spring Return Cruise	205	532 12 17-48	Washer 25/32 x 1-5/8 x 16 Ga.
27	817 49 05-28	Screw Hexwsh Thd 5/16-18 x 1-3/4	206	532 44 85-96	Bracket Mount Latch Cruise
29	532 44 27-95	Rod, Brake	207	532 19 78-68	Latch Control Cruise
30	819 13 16-16	Washer	208	532 19 78-69	Gear Sector Control Cruise
33	812 00 00-01	Ring E	209	532 19 95-92	Rod Control Cruise
35	583 86 45-01	Rod, Brake, Park	210	532 40 09-80	Rocker Asm. Pedal Control
37	532 18 89-67	Washer Harden .793 x 1.063 x .060	211	532 12 01-83	Bearing Nylon
38	532 16 96-13	Nyliner Bushing	213	532 40 31-19	Knob Control Cruise
42	532 12 48-72	Cover, Foot Pedal	214	532 41 68-63	Pedal Forward
49	872 11 06-14	Bolt Rdhd 3/8-16 unc x 3/4 Gr. 5	215	586 60 65-02	Pedal Reverse
50	532 19 43-27	Idler Flat	221	532 40 31-87	Retainer Spring Clip Handle
51	873 90 06-00	Lock Nut 3/8-16	222	879 21 20-10	Washer 21/32 x 1-1/4 10 Ga.
52	532 19 43-26	Idler V-Groove	226	532 40 15-64	Bracket Strap Torque
56	532 44 27-81	V-Belt, Drive	227	817 49 05-12	Screw
61	532 44 51-51	Pulley Transaxle K46	279	532 44 42-83	Link Shift
64	532 19 78-65	Shaft Asm. Pedal Brake Control	280	819 11 10-12	Washer 11/32 x 5/8 x 12 Ga.
73	874 49 05-44	Bolt Flanged	284	532 41 76-93	Nut U-CHNL 1/4-20
90	532 44 36-05	Keeper Belt Clutching	307	874 18 04-12	Screw Mach. 1/4-20 x 3/4
92	874 76 05-20	Bolt Fin Hex 5/16-18 unc x 1.25	309	532 16 55-81	Plate Fstnr Cross Shf
99	532 44 39-47	Rod Spring Bypass	311	532 16 98-45	Washer Nylon
103	873 35 05-00	Nut Hex Jam 5/16-18	312	532 16 56-14	Hub Tapered
116	873 90 05-00	Nut Lock Hex Flange 5/16-18	313	874 78 04-16	Bolt Hex Fin 1/4-20 unc x 1 Gd5
125	817 00 05-12	Screw 5/16-18 x 3/4	314	532 44 47-13	Keeper Belt
140	810 04 04-00	Washer Lock Hvy Helical 1/4	315	817 58 05-20	Screw Thdrol 5/16-18 x 4.25
143	817 49 05-08	Screw 5/16-18 x 1/2	335	532 19 95-34	Pulley V-Idler
159	876 02 04-12	Pin Cotter 1/8 x 3/4	339	532 43 68-67	Strap Torque K46 CRD Tex
160	532 16 94-84	Retainer Clip	342	532 18 26-82	Keeper Belt 2.5" STL V-Idlr CRD
161	532 10 57-09	Spring, Return, Clutch	351	532 43 69-98	Bracket 97 CRD Deck Sway
163	532 44 27-93	Rod Control	352	532 43 56-45	Bracket Idler CRD Tex
166	532 42 91-64	Nut Push	355	532 43 56-69	Strap Torque
167	532 40 52-57	Latch Brake Parking	359	817 49 06-10	Screw Thdrol 3/8-16 x 5/8
175	532 42 93-59	Shaft Asm Crossshift Rear Crd	360	532 44 47-14	Nut 5/16-24 UNF
183	532 13 70-57	Spacer Axle	362	532 43 68-12	Idler Flat
184	587 65 37-01	Handle Parking Brake	363	532 44 27-80	Spacer 343 x 63 x .62
185	872 11 06-22	Bolt 3/8-16 unc x 2-3/4 G5	364	532 44 30-32	Bracket Idler CRD Tex
186	532 19 43-21	Spacer Retainer	372	587 06 27-01	Keeper Belt Transaxle
188	582 21 70-01	Link Clutch, Long			
189	532 43 36-11	Bellcrank Ground Drive, Long			

NOTE: All component dimensions given in U.S. inches
1 inch = 25.4 mm



SPARK ARRESTER KIT

engine-tex_bs-2cyl_154

**TRACTOR - - MODEL NO. TC 338 (96051012800), PRODUCT NO. 960 51 01-28
ENGINE 24**

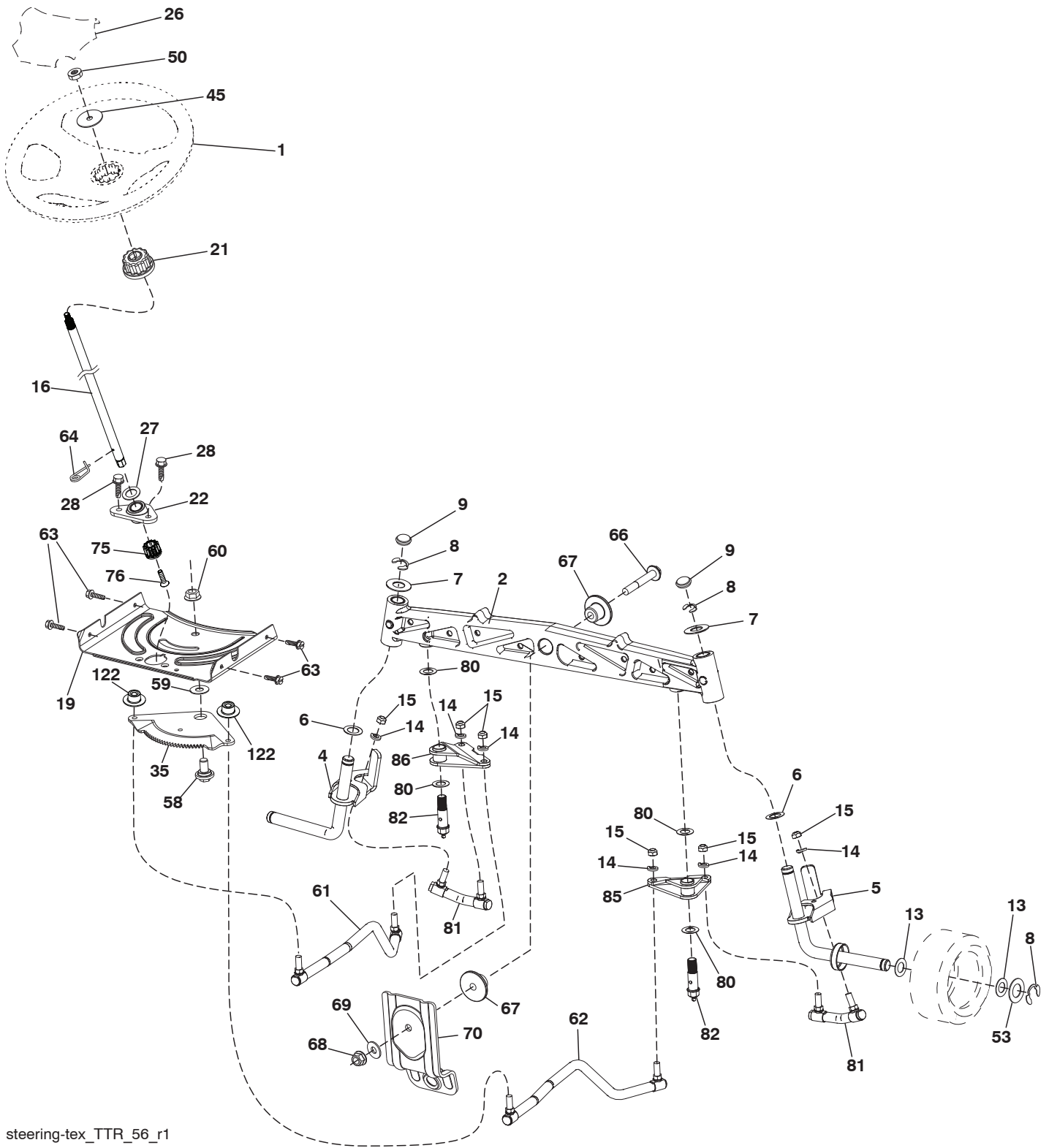
KEY NO.	PART NO.	DESCRIPTION
1	- - - - -	Engine B&S Model No. 40S777-0003-B1 (587525901) (Order parts from engine manufacturer.)
2	532 44 59-62	Muffler
9	501 83 26-01	Keeper Belt Engine
11	587 24 16-01	Clutch Electric
12	532 40 50-97	Pulley Engine
15	532 43 58-16	Tank Fuel
18	532 44 14-62	Fuel Cap
20	587 24 27-01	Control Throttle
21	532 41 63-58	Screw # 10 x 0.750
28	532 13 70-40	Fuel Line
29	532 13 71-80	Spark Arrester Kit
37	532 12 34-87	Clamp Hose
41	532 12 61-97	Washer 1-1/2 OD x 15/32 ID x .250
42	810 04 07-00	Washer Lock 7/16
45	873 51 04-00	Nut Keps Hex 1/4-20 unc
62	532 43 40-17	Shield Heat Muffler
69	532 16 53-91	Gasket
70	581 88 11-01	Tube Exhaust LH
71	581 88 10-01	Tube Exhaust RH
79	532 18 39-06	Screw Socket
81	532 14 84-56	Tube Drain Oil Easy
82	532 42 82-87	Valve Oil Drain
84	817 06 06-20	Screw
85	501 60 66-01	Bolt Hex 7/16-20 x 3.75 Gr. 5
90	817 00 06-16	Screw 3/8-16 x 1
96	819 09 14-16	Washer 9/32 x 7/8 x 16 Ga.
97	817 67 04-12	Screw 1/4-20 x 3/4
102	817 00 05-12	Screw 5/16-18 x 3/4
108	587 17 95-02	Cover Pulley Eng. w/SHLD
116	539 13 26-24	Knob Shift
137	532 44 14-61	Spill Cup

NOTE: All component dimensions given in U.S. inches
1 inch = 25.4 mm

Engine Power Rating Information

The gross power rating for individual gas engine models is labeled in accordance with SAE (Society of Automotive Engineers) code J1940 (Small Engine Power & Torque Rating Procedure), and rating performance has been obtained and corrected in accordance with SAE J1995 (Revision 2002-05). Torque values are derived at 3060 RPM; horsepower values are derived at 3600 RPM. Actual gross engine power will be lower and is affected by, among other things, ambient operating conditions and engine-to-engine variability. Given both the wide array of products on which engines are placed and the variety of environmental issues applicable to operating the equipment, the gas engine will not develop the rated gross power when used in a given piece of power equipment (actual "on-site" or net power). This difference is due to a variety of factors including, but not limited to, accessories (air cleaner, exhaust, charging, cooling, carburetor, fuel pump, etc.), application limitations, ambient operating conditions (temperature, humidity, altitude), and engine-to-engine variability. Due to manufacturing and capacity limitations, Briggs & Stratton may substitute an engine of higher rated power for this Series engine.

TRACTOR - - MODEL NO. TC 338 (96051012800), PRODUCT NO. 960 51 01-28
STEERING ASSEMBLY **41**



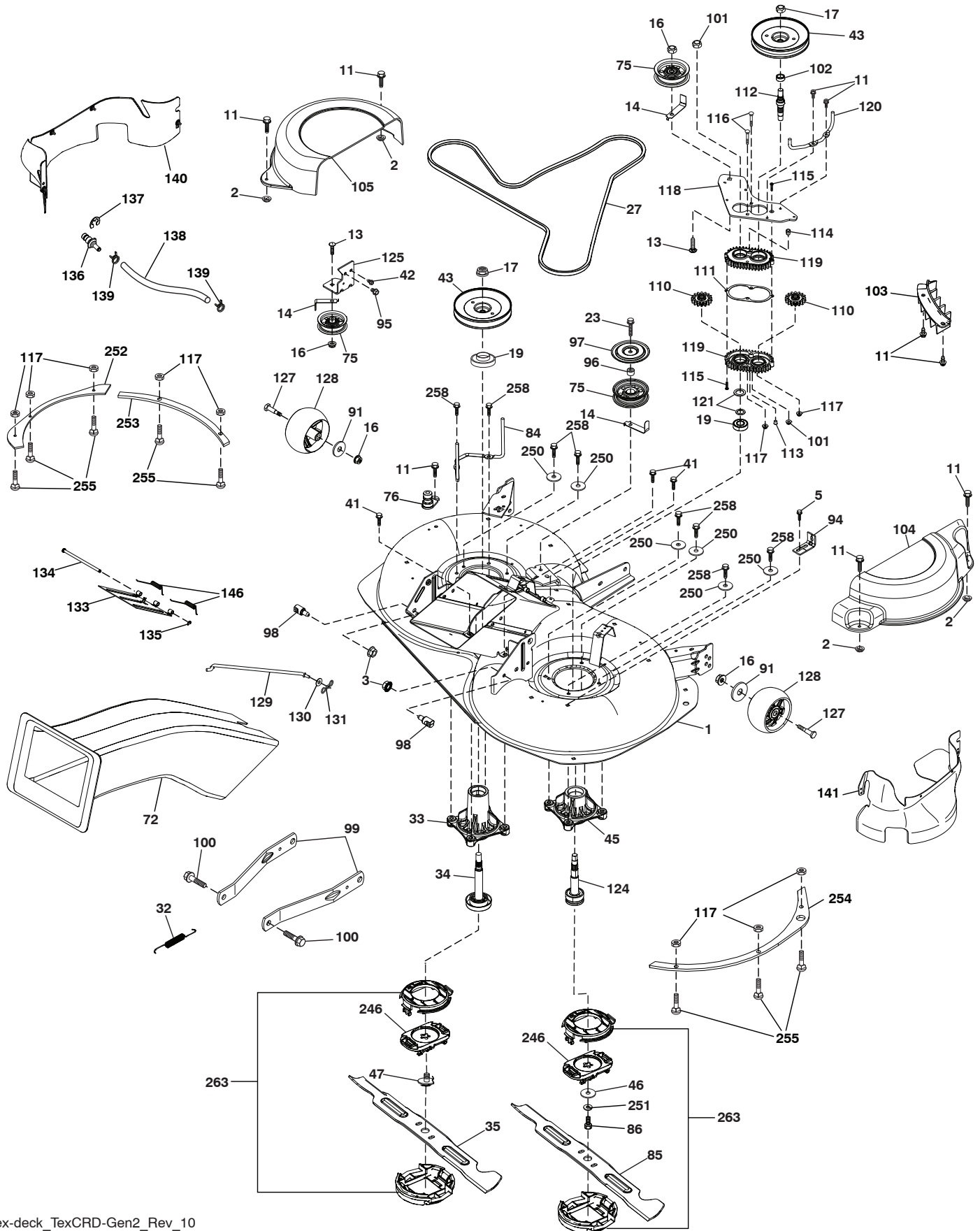
steering-tex_TTR_56_r1

TRACTOR - - MODEL NO. TC 338 (96051012800), PRODUCT NO. 960 51 01-28
STEERING ASSEMBLY 41

KEY NO.	PART NO.	DESCRIPTION
1	532 43 97-40	Wheel, Steering
2	532 43 68-70	Axle Asm., Front
4	532 43 68-73	Spindle Asm., LH
5	532 43 68-74	Spindle Asm., RH
6	532 12 49-31	Washer Thrust 0.75 x 1.23
7	532 12 17-48	Washer 25/32 x 1-5/8 x 16 Ga.
8	812 00 00-29	Ring, Klip #T5304-75
9	532 12 12-32	Cap, Spindle
13	532 12 17-49	Washer 25/32 x 1-1/4 x 16 Ga.
14	810 04 06-00	Washer, Lock 3/8
15	873 54 06-00	Nut, Crown Lock 3/8-24 unf
16	587 01 60-02	Shaft Steering
19	532 19 47-29	Plate Steering
21	586 84 02-01	Adapter, Wheel Steering Splnd Alum
22	585 02 99-01	Bearing Subasm Shaft Steer Low
26	532 43 97-43	Insert, Wheel Steering
27	819 21 16-16	Washer 21/32 x 1 x 16 Ga.
28	817 00 06-12	Screw 3/8-16 x 3/4
35	532 44 07-70	Gear, Sector Plate
45	587 01 64-01	Washer 3/8 ID 2-3/8OD 12 Ga. PLTD
50	873 90 06-00	Nut Lock Flg. 3/8-16 unc
53	532 18 89-67	Washer Hardened .793 x 1.637 x .060
58	532 19 47-47	Bolt Shoulder Sector Pivot CFM
59	532 19 47-48	Washer Thrust Sector Steering
60	873 97 10-00	Nut Flange Lock 5/8-11
61	581 92 62-02	Draglink, LH
62	581 92 63-02	Draglink, RH
63	817 00 05-12	Screw 5/16-18 x 3/4
64	532 19 98-49	Retainer Clip Spring Steering
66	871 02 07-48	Bolt Hex Fghd 7/16-14 x 3 Serr
67	532 19 47-37	Bushing PM Front Axle
68	873 90 07-00	Nut Lock Flange 7/16-14 Gr. 5
69	532 19 91-62	Washer 1.5 x .505 x .118
70	585 33 88-01	Bracket Deck Susp. Front
75	580 68 37-01	Pinion
76	580 68 36-01	Screw Head Sock
80	532 00 13-70	Washer
81	532 43 68-87	Link Cross RH
82	532 44 21-47	Pivot Bolt
85	532 44 18-73	Pivot RH
86	532 44 18-72	Pivot LH
122	532 44 49-62	Cap Gear

NOTE: All component dimensions given in U.S. inches
1 inch = 25.4 mm

TRACTOR - - MODEL NO. TC 338 (96051012800), PRODUCT NO. 960 51 01-28
MOWER DECK 44

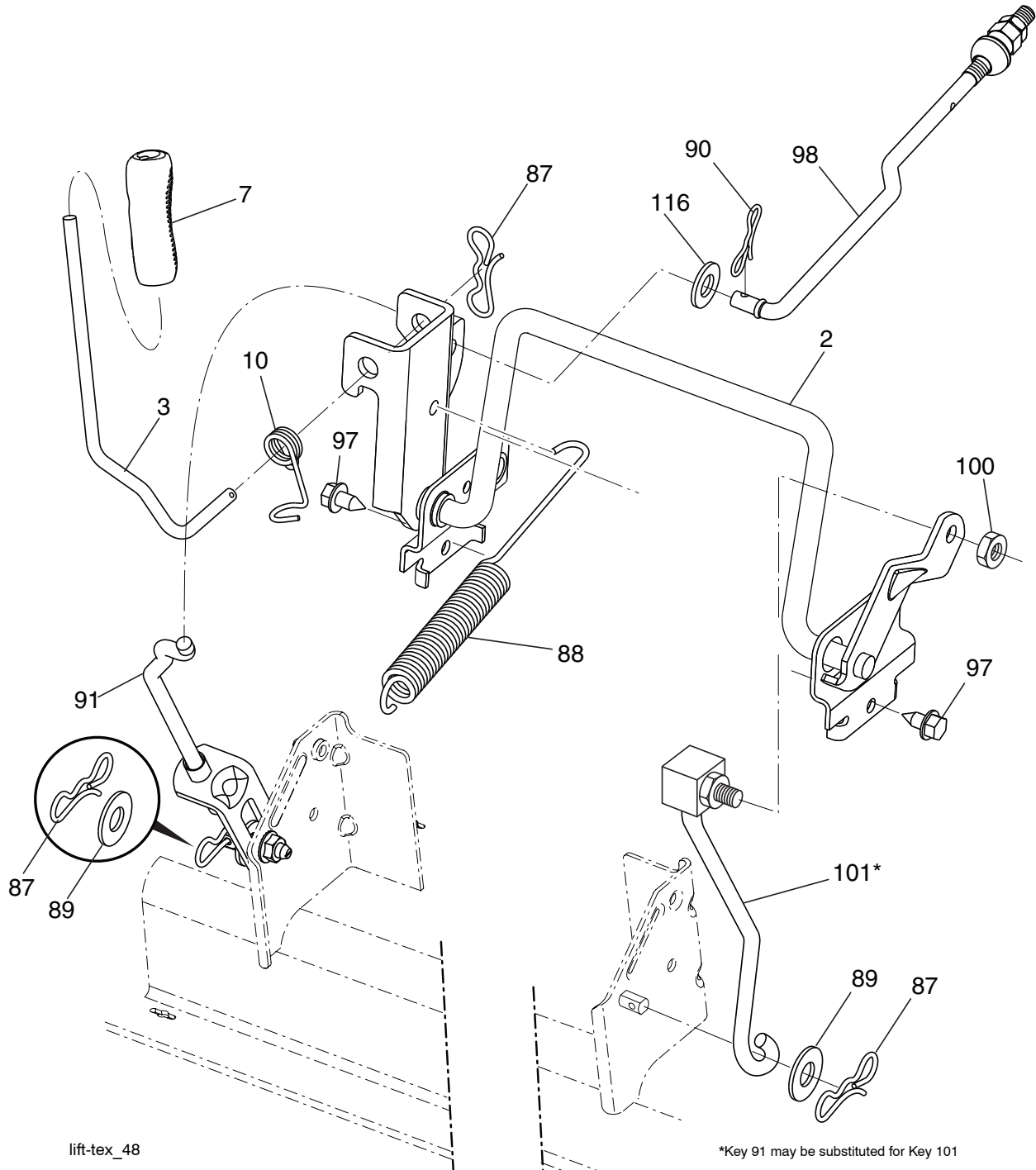


**TRACTOR - - MODEL NO. TC 338 (96051012800), PRODUCT NO. 960 51 01-28
MOWER DECK 44**

KEY NO.	PART NO.	DESCRIPTION	KEY NO.	PART NO.	DESCRIPTION
1	580 46 53 02	Deck Weldment	124	581 65 07-01	Non Greasable Mandrel Shaft
2	532 42 30-62	Palnut 1/4	125	532 43 69-94	Bracket Idler Chassis
3	873 90 05-00	Nut Lock Hex Flange 5/16 - 18	127	532 19 34-06	Bolt Shoulder 3/8-16 x 3-5/8 Gr. 5
5	817 00 05-10	Bolt 5/16-18	128	532 17 48-73	Wheel Gauge
11	532 13 77-29	Screw Thd Roll 1/4 - 20 X 5/8	129	532 44 32-37	Rod Anti-Sway
13	872 11 06-12	Bolt Carr Sh 3/8 - 16 X 1 - 1/2 Gr. 5	130	819 13 13-12	Washer 13/32 x 13/16 x 12 Ga.
14	532 15 60-85	Keeper Belt Idler	131	532 19 42-08	Pin Cotter 5/16 Bow Tie Lock
16	873 90 06-00	Nut Lock FIG 3/8 - 16 unc	133	532 43 55-38	Mulch Door
17	532 40 02-34	Nut Flange Lock Top	134	532 43 58-61	Pin Hinge
19	585 32 39-01	Bearing Mandrel	135	532 43 79-88	E-Ring 5/16
23	817 49 06-28	Screw Thdrol 3/8 - 16 X 1-3/4	136	532 43 96-39	Washout Port Remote Hookup
27	532 44 58-34	V-Belt Drive	137	812 00 00-29	Ring Klip
32	532 44 62-05	Spring Return Deck	138	532 44 07-43	Hose Washout Port
33	580 79 61-01	Mandrel Asm. Tall	139	532 44 07-42	Hose 3/8 Clamp
34	580 85 47-01	Shaft Asm Mndrl	140	501 57 94-01	Guard Asm. LH
35	580 98 33-01	Blade Mower LH	141	501 57 93-01	Guard Asm. LH
41	584 95 39-01	Bolt Hex WSHRHD 313 - 18 x 1.19	146	532 44 58-96	Spring Tex CRD EZ Mulch
42	817 00 05-12	Screw 5/16-18 x 3/4	246	580 95 40-03	Blade Holder Revolution
43	532 19 97-89	Pulley Mandrel	250	819 11 12-12	Washer 11/32 x 3/4 x 12 Ga.
45	581 65 08-01	Mandrel Asm. Short	251	810 04 07-00	Washer Lock
46	585 72 99-01	Flat Washer 3/8	252	585 30 87-05	Plate Reinforcement LH FT
47	584 30 93-01	Screw SEMS 7/16-20 x 1	253	585 30 88-05	Plate Reinforcement LH
72	581 45 41-02	Chute Upper	254	585 30 90-05	Plate Reinforcement RH
75	532 13 14-94	Pulley Idler Flat	255	539 10 98-00	Carriage Bolt
76	532 43 96-40	Washout Port	258	584 95 39-01	Bolt Hex Wsh Hd .316-18 x 1.19
84	532 40 01-40	Keeper Belt Mandrel	263	586 63 85-01	Upper/Lower Cap Asm.
85	580 98 34-01	Blade Mower RH	--	587 12 61-05	Mandrel Assembly Tall (Includes Housing (key #33), Shaft Assembly (key #34), And Bearing Only (key #19) - Pulley/Nut/Washer And Blade Bolt/Washers Not Included)
86	532 18 17-13	Bolt 3/8-24 x 1.50 Gr.8	--	581 65 05-01	Mandrel Assembly Short (Includes Housing (key #45), Shaft Assembly (key #124), And Bearing Only (key #19) - Pulley/Nut/Washer And Blade Bolt/Washers Not Included)
91	819 13 20-12	Washer 13/32 x 1-1/4 x 12 Ga.	--	587 54 26-01	Replacement Mower Complete
94	532 19 72-50	Bracket Clutch Cable	--	532 44 81-32	Gear Case Kit – Use .75 oz. Shell 460 oil (Include Gear Output (key #110), Gasket Gearcase (key #111), Shaft Gearcase (key #112), Plug Oil (key #113), Vent Breather 1/8 NPT (key #114), Screw Torx (key #115), Gearcase Subasm (key #119))
95	817 00 06-12	Screw 3/8-16 x 3/4			
96	532 40 02-71	Spacer			
97	532 18 20-61	Shield Idler Mower			
98	532 19 51-61	Stud Fastener			
99	532 19 51-86	Arm Suspension Mower Rear			
100	532 19 65-39	Bolt Shoulder			
101	873 68 09-00	Nut Crownlock 9/16 - 18 unc			
102	532 40 25-11	Spacer Bearing Swing Plate			
103	532 43 69-92	Guard Front Vent			
104	532 43 89-68	Mandrel Cover RH			
105	532 43 87-44	Mandrel Cover LH			
110	587 93 48-01	Gear Output			
111	532 43 69-79	Gasket Gearcase			
112	532 44 38-52	Shaft Gearcase			
113	532 43 85-33	Plug Oil			
114	588 17 05-01	Valve Relief			
115	818 03 10-16	Screw Torx #10-24 x 1			
116	872 11 04-14	Bolt 1/4-20 x 1.75 Gr. 5			
117	873 90 04-00	Nut Hex Flange 1/4-20 unc			
118	532 43 69-89	Arm Clutching			
119	532 43 81-66	Gearcase Subasm			
120	532 43 69-91	Keeper Belt RH			
121	532 43 69-85	Washer			

NOTE: All component dimensions given in U.S. inches
1 inch = 25.4 mm

TRACTOR - - MODEL NO. TC 338 (96051012800), PRODUCT NO. 960 51 01-28
MOWER LIFT 45



lift-tex_48

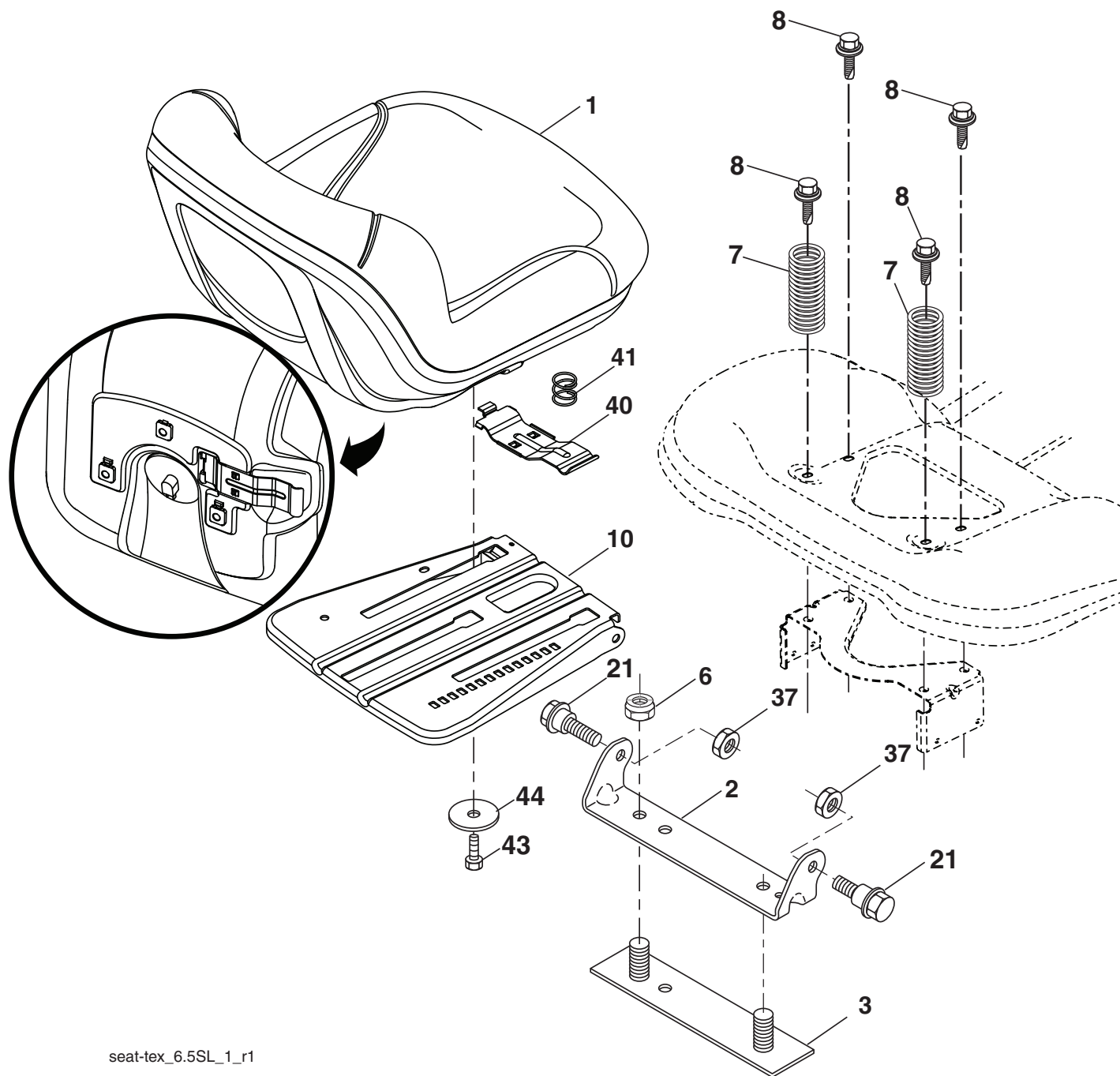
*Key 91 may be substituted for Key 101

KEY NO.	PART NO.	DESCRIPTION
2	532 43 69-96	Deck Lift Weldment
3	532 19 52-31	Lever Asm., Lift RH
7	580 96 23-01	Grip, Lever
10	532 19 63-14	Spring Torsion
87	532 19 42-09	Pin Cotter 7/16 Bow Tie Lock
88	532 44 54-96	Spring Lift Assist
89	819 19 19-12	Washer Clear Zinc
90	532 19 42-08	Pin Cotter 5/16 Bow Tie Lock
91	532 19 51-81	Link Lift Susp Mower Rear

KEY NO.	PART NO.	DESCRIPTION
97	817 49 06-08	Screw 3/8-16 x 1/2
98	532 19 52-70	Link Lift Susp. Front Mower
100	873 93 06-00	Nut Centerlock 3/8-16 unc
101	532 40 70-03	Link Asm. Lift Fixed
116	819 15 15-16	Washer 15/32 x 15/16 x 16 Ga.

NOTE: All component dimensions given in U.S. inches
 1 inch = 25.4 mm

**TRACTOR - - MODEL NO. TC 338 (96051012800), PRODUCT NO. 960 51 01-28
SEAT ASSEMBLY 42**



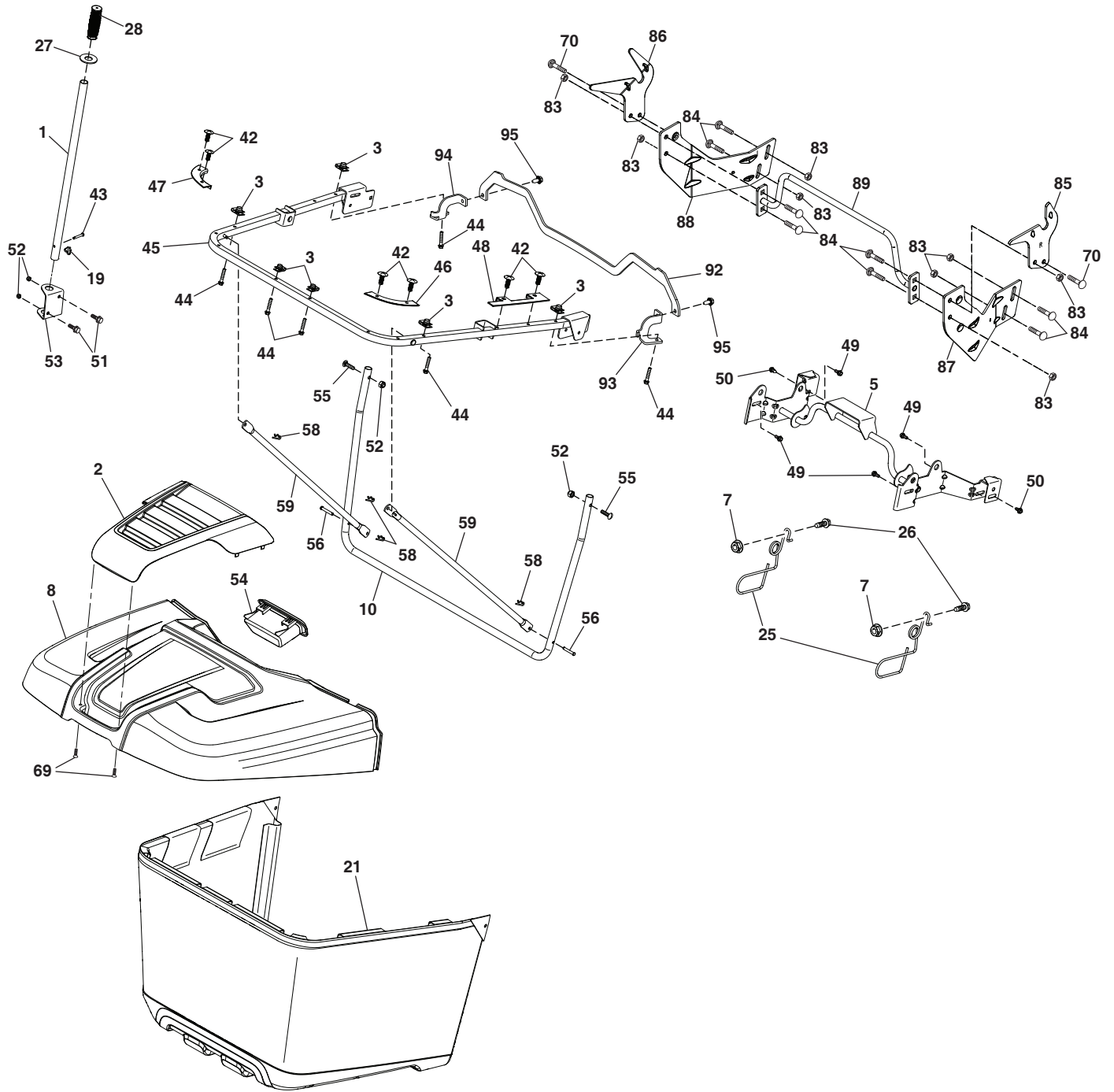
seat-tex_6.5SL_1_r1

KEY NO.	PART NO.	DESCRIPTION
1	532 43 98-22	Seat
2	532 18 01-66	Bracket Pivot Fender
3	532 14 06-75	Strap, Asm Fender
6	873 80 06-00	Nut, Lock W/Ins. 3/8-16 unc
7	532 12 41-81	Spring, Seat Cprsn
8	532 17 18-77	Bolt 5/16-18 unc x 3/4 w/Sems
10	532 19 69-77	Pan, Seat
21	532 17 18-52	Bolt, Shoulder 5/16-18
37	873 80 05-00	Nut, Lock 5/16-18 unc

KEY NO.	PART NO.	DESCRIPTION
40	532 19 76-61	Handle Slide Seat
41	532 19 82-00	Spring Latch Seat
43	874 76 06-12	Bolt Fin Hex 3/8-16 unc x 3/4
44	819 13 38-12	Washer 13/32 x 2-3/8 x 12 Ga.

NOTE: All component dimensions given in U.S. inches
1 inch = 25.4 mm

TRACTOR - - MODEL NO. TC 338 (96051012800), PRODUCT NO. 960 51 01-28
BAGGER **46**



Bagger_TexCRD-Gen2_6_r1

**TRACTOR - - MODEL NO. TC 338 (96051012800), PRODUCT NO. 960 51 01-28
BAGGER 46**

KEY NO.	PART NO.	DESCRIPTION
1	532 42 86-10	Tube Handle Bagger
2	532 44 75-72	Applique
3	532 17 48-14	Clip
5	532 44 37-62	Upper Pivot Tube
7	873 90 04-00	Nut Hex Flange 1/4-20 unc
8	532 44 75-75	Bagger Top
10	532 44 37-55	Frame Front
19	532 19 42-08	Cotter Pin 5/16 Bow Tie
21	581 33 71-03	Bag Asm
25	532 44 55-28	Spring Latch Bagger
26	817 49 04-12	Screw Hex Thdrol 1/4-20 x 3/4
27	532 44 55-29	Grommet Rubber
28	532 16 57-87	Grip Handle
42	532 44 04-28	Clip
43	532 12 68-75	Clevis Pin
44	532 19 96-87	Bolt 1/4-20
45	532 44 37-54	Upper Frame
46	532 44 55-41	Bag Corner Close Out RH
47	532 44 40-79	Bag Corner Close Out LH
48	532 44 40-80	Top Bagger Side Close Out
49	532 17 18-73	Bolt Shoulder 5/16-18
50	532 17 18-77	Bolt 5/16-18 x 3/4 W/Sems
51	872 11 05-06	Bolt 5/16 x 18 x 3/4
52	873 80 05-00	Nut Lock Hex W/Ins 5/16-18 unc
53	532 44 41-95	Bracket Dump Handle
54	532 44 72-18	Bagger Top Front Handle
55	872 14 05-12	Bolt 5/16-18 x 1-1/2
56	532 42 03-06	Pin Clevis .183 x 1.26
58	532 08 51-79	Clip Retainer
59	532 44 47-63	Bagger Sprd Tube
69	532 42 18-01	Screw #8 Flat Head Drill
70	817 00 06-12	Screw 3/8-16 x 3/4
83	873 80 06-00	Nut Lock Hex w/Ins. 3/8-16 unc
84	872 11 06-08	Bolt 3/8-16 x 1 Gr. 5
85	581 31 44-02	Bracket RH Pivot
86	581 31 43-02	Bracket LH Pivot
87	581 31 48-02	Bracket RH
88	581 31 47-02	Bracket LH
89	581 31 51-04	Weldment Offset Strut
92	586 05 23-02	Bracket Top Support
93	586 05 24-02	Bracket Support RH
94	586 05 25-02	Bracket Support LH
95	817 00 05-12	Screw 5/16-18 x 3/4
--	501 70 56-01	Bagger Dump Kit (Includes Key#'s 85, 86, 87, 88, & 89)

NOTE: All component dimensions given in U.S. inches
1 inch = 25.4 mm

