

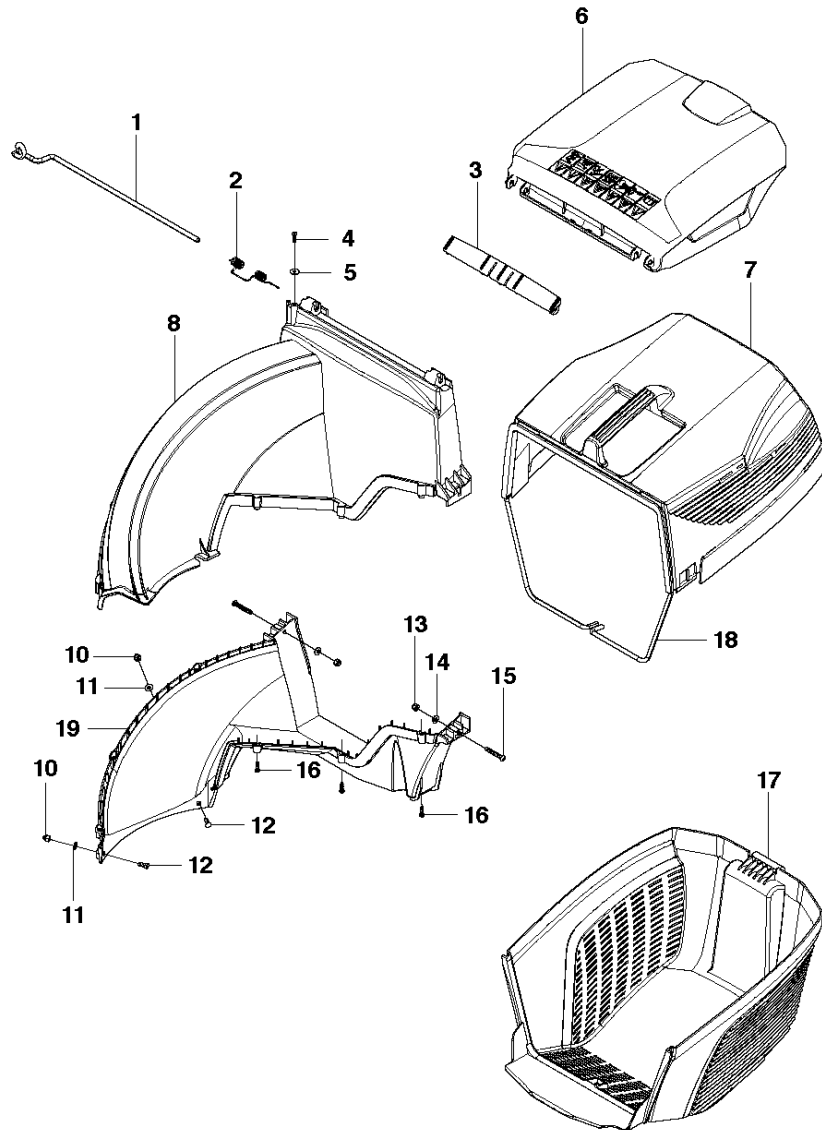


SPARE PARTS LIST

LAWN MOWERS: CONSUMER
WALK-BEHINDS

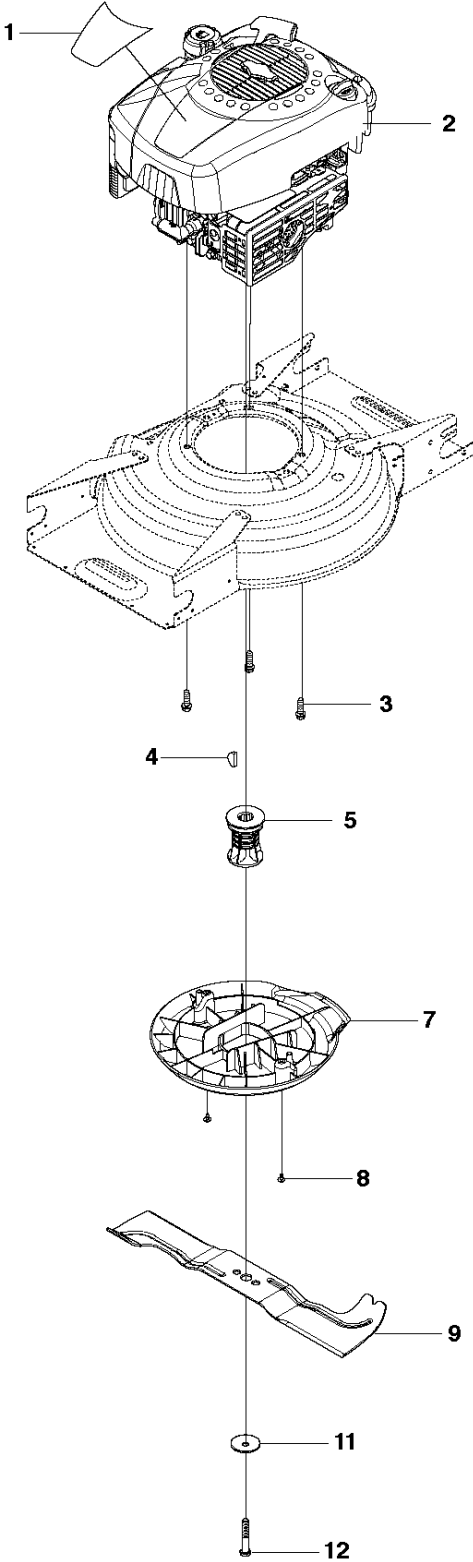
LC348 VE, UK, 967239001, 2014

D LC 348VE, UK
Collect parts



Ref	Part No	Description	Remark	QTY KIT
1	502 24 59-01	AXLE		1
2	502 24 47-01	SPRING		1
3	504 59 81-01	COVER LID		1
4	501 96 73-01	CHUTE		1
5	505 19 84-01	WASHER		1
6	501 96 77-01	HATCH		1
7	501 98 77-01	GRASSBAG		1
8	501 96 75-01	CHUTE		1
10	502 30 50-01	CAP NUT		2
11	505 19 84-01	WASHER		2
12	505 15 61-01	SCREW		2
13	522 66 93-02	LOCKING NUT		2
14	505 19 84-01	WASHER		2
15	505 55 77-01	SCREW ITXPANTT		2
16	502 43 53-01	SCREW ITXPANT		7
17	501 98 76-01	GRASSBAG		1
18	502 44 71-01	GRASSBAG		1
19	501 96 73-01	CHUTE		1

C LC 348VE, UK
Engine

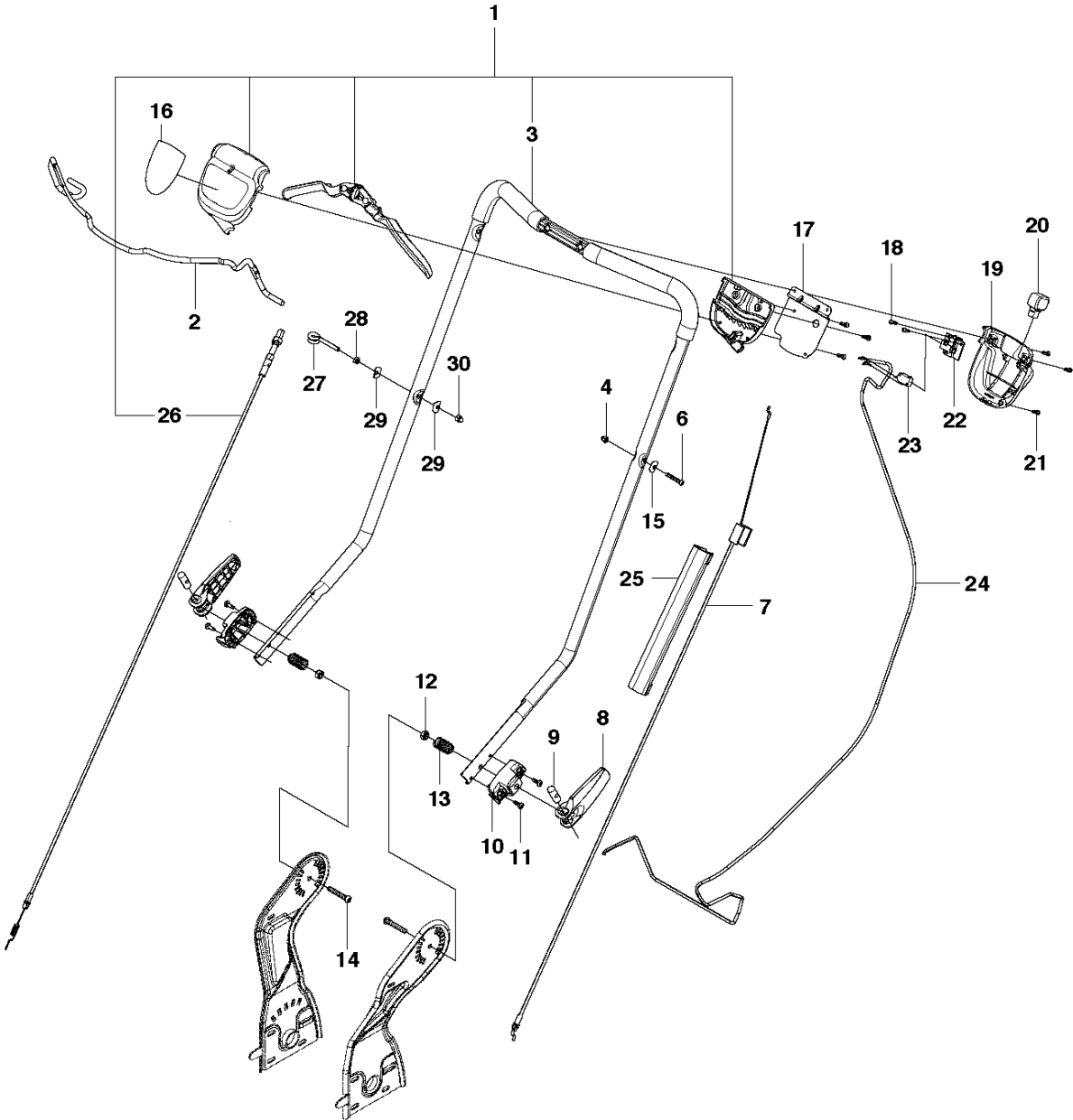


ENGINE

LC348 VE, UK, 967239001, 2014

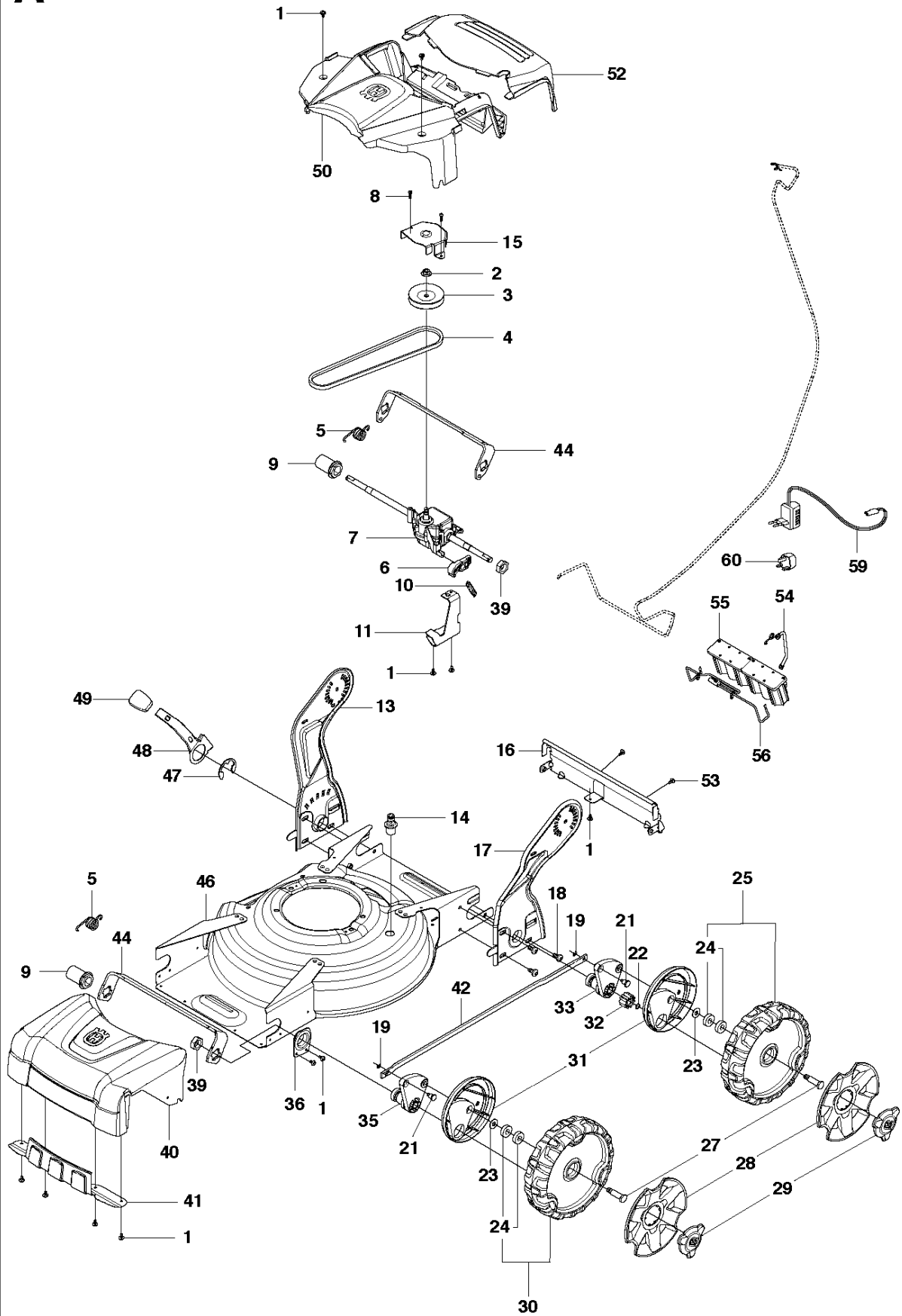
Ref	Part No	Description	Remark	QTY KIT
1	521 88 89-02	LABEL		1
2	.	TBD	126T07-0262-B1, Briggs & Stratton	1
3	531 21 28-51	SCREW		3
4	504 46 05-01	WOODRUF KEY		1
5	504 59 13-02	BLADE SUPPORT		1
7	501 96 81-01	BELT COVER		1
8	505 52 46-01	SCREW ITXPANTT		2
9	585 60 75-01	BLADE		1
11	531 20 72-37	WASHER		1
12	531 20 66-49	SCREW		1

B LC 348VE, UK
Handle



Ref	Part No	Description	Remark	QTY	KIT
1	584 86 03-02	HANDLE ASSY		1	
2	584 61 75-02	BAIL		1	
3	584 86 00-01	HANDLE ASSY		1	1
4	502 30 50-01	CAP NUT		1	
6	505 55 77-02	SCREW ITXPANTT		1	
7	522 93 74-03	CABLE		1	
8	504 13 83-01	LEVER		2	
9	505 53 11-01	PIN		2	
10	580 77 62-01	ADJUSTING DISC		2	
11	502 43 52-03	SCREW ITXPANTT		4	
12	522 91 94-01	LOCKING NUT		2	
13	504 63 81-01	SPRING		2	
14	505 52 46-01	SCREW ITXPANTT		2	
15	531 20 49-61	WASHER		1	
16	584 82 49-01	LABEL		1	
17	577 70 14-01	BRACKET		1	
18	574 39 14-01	SCREW ITXPANT		2	
19	583 97 76-01	COVER		1	
20	522 03 60-01	IGNITION KEY ASSY		1	
21	574 39 14-01	SCREW ITXPANT		5	
22	510 08 83-01	ELECTRIC START		1	
23	525 48 63-01	MICRO SWITCH		1	
24	585 00 02-01	WIRING		1	
25	584 21 12-01	CABLE HOLDER		1	
26	577 27 66-02	CABLE		1	1
27	531 20 51-69	PIN RETAINING SCREW		1	
28	731 23 16-01	HEXAGON NUT		1	
29	531 20 49-61	WASHER		2	
30	502 30 50-01	CAP NUT		1	

A LC 348VE, UK
Deck



Ref	Part No	Description	Remark	QTY	KIT
1	502 43 52-01	SCREW ITXPANTT		17	
2	504 05 56-01	NUT FLANGE		1	
3	504 05 33-01	PULLEY		1	
4	501 98 66-01	BELT		1	
5	522 02 46-01	SPRING		2	
6	504 04 83-01	LEVER		1	
7	504 04 80-01	GEAR BOX		1	
8	502 43 53-01	SCREW ITXPANT		2	
9	522 02 40-01	NUT		2	
10	504 04 87-01	SPRING		1	
11	504 04 86-01	BRACKET		1	
13	504 00 00-04	HANDLE SUPPORT		1	
14	531 20 58-48	CONNECTOR		1	
15	522 61 23-01	BELT GUIDE		1	
16	504 64 15-01	SKID PLATE		1	
17	504 00 32-04	HANDLE SUPPORT		1	
18	506 55 83-02	SCREW EHHFT		6	
19	735 31 09-21	E-CLIP		2	
21	504 62 50-01	SHAFT		2	
22	504 70 28-01	LOCK RING		2	
23	505 22 14-01	WASHER		4	
24	738 21 01-04	BALL BEARING		8	25, 30
25	584 14 22-01	WHEEL ASSY		2	
27	574 25 94-01	SCREW		4	
28	584 15 93-01	HUB CAP		4	
29	584 15 94-01	NUT CAP		4	
30	584 61 16-01	WHEEL ASSY		2	
31	504 62 41-01	DUST COVER		4	
32	544 34 23-01	PINION		2	
33	504 70 98-04	LINK ARM ASSY		2	
35	504 70 98-02	LINK ARM ASSY		2	
36	504 62 49-01	BRACKET		2	
39	505 52 10-01	NUT		2	
40	583 90 18-01	FRONT COVER ASSY		1	
41	502 62 54-01	SKID PLATE		1	
42	504 61 55-02	ROD		1	
44	574 40 60-01	TRANSVERSAL ROD		2	
46	501 37 55-03	CHASSIS		1	
47	735 31 36-21	LOCK WASHER		1	
48	504 83 82-01	LEVER		1	
49	522 59 85-01	KNOB		1	
50	505 10 94-02	REAR COVER		1	
52	505 20 21-01	HATCH		1	
53	502 43 52-01	SCREW ITXPANTT		2	
54	522 47 09-01	HOLDER ASSY		1	
55	515 99 63-01	BATTERY		1	
56	575 44 14-01	WIRE ASSY		1	
59	502 95 12-01	BATTERY CHARGER		1	
60	574 65 80-01	ADAPTER		1	