

ILLUSTRATED PARTS LIST

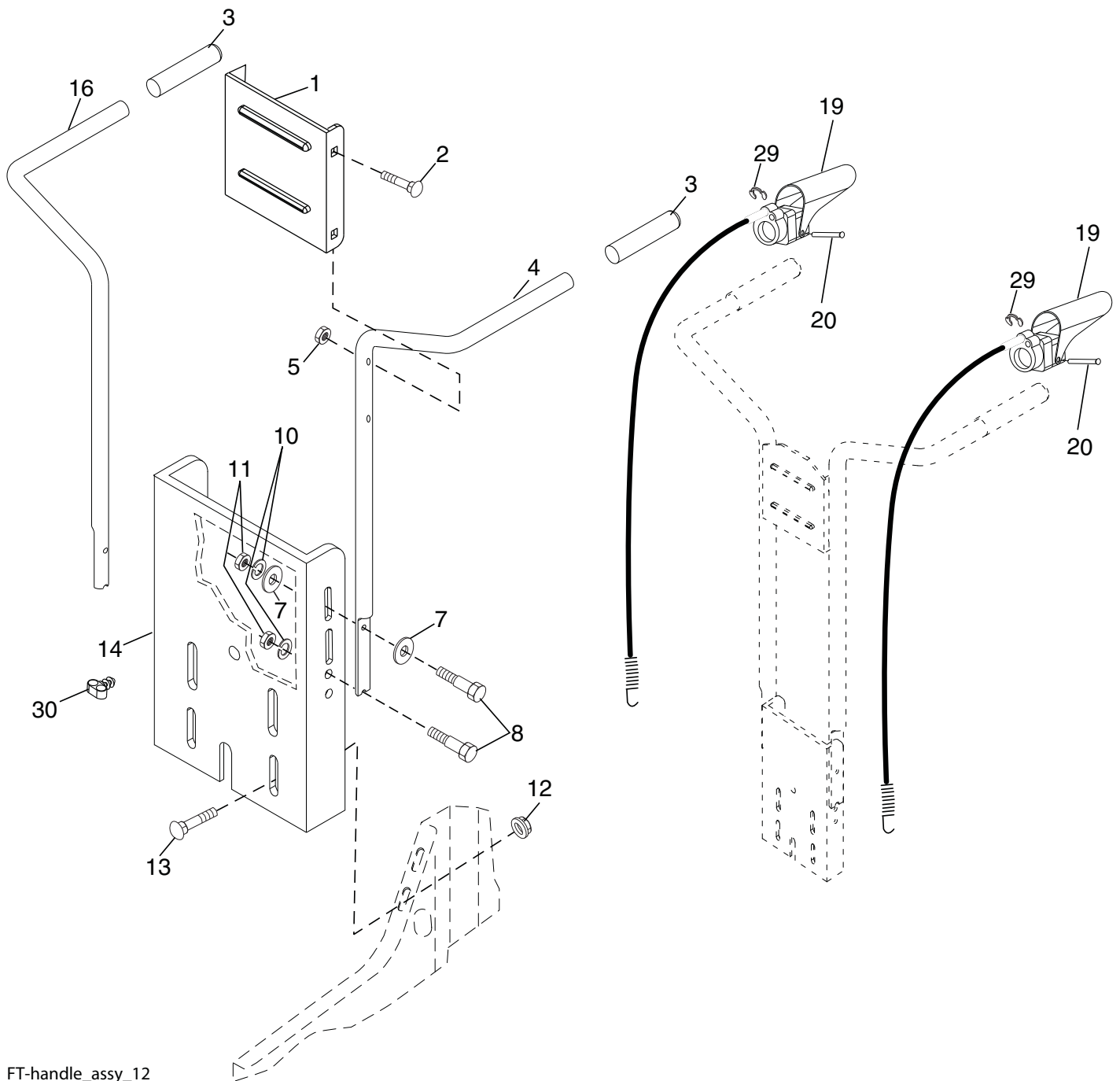
MFG. ID NO. 96083001000

MODEL NUMBER 250093

PRODUCT NUMBER 917.250093

HUSQVARNA TILLER - MODEL NUMBER 96083001000 (917.250093)

HANDLE ASSEMBLY



FT-handle_assy_12

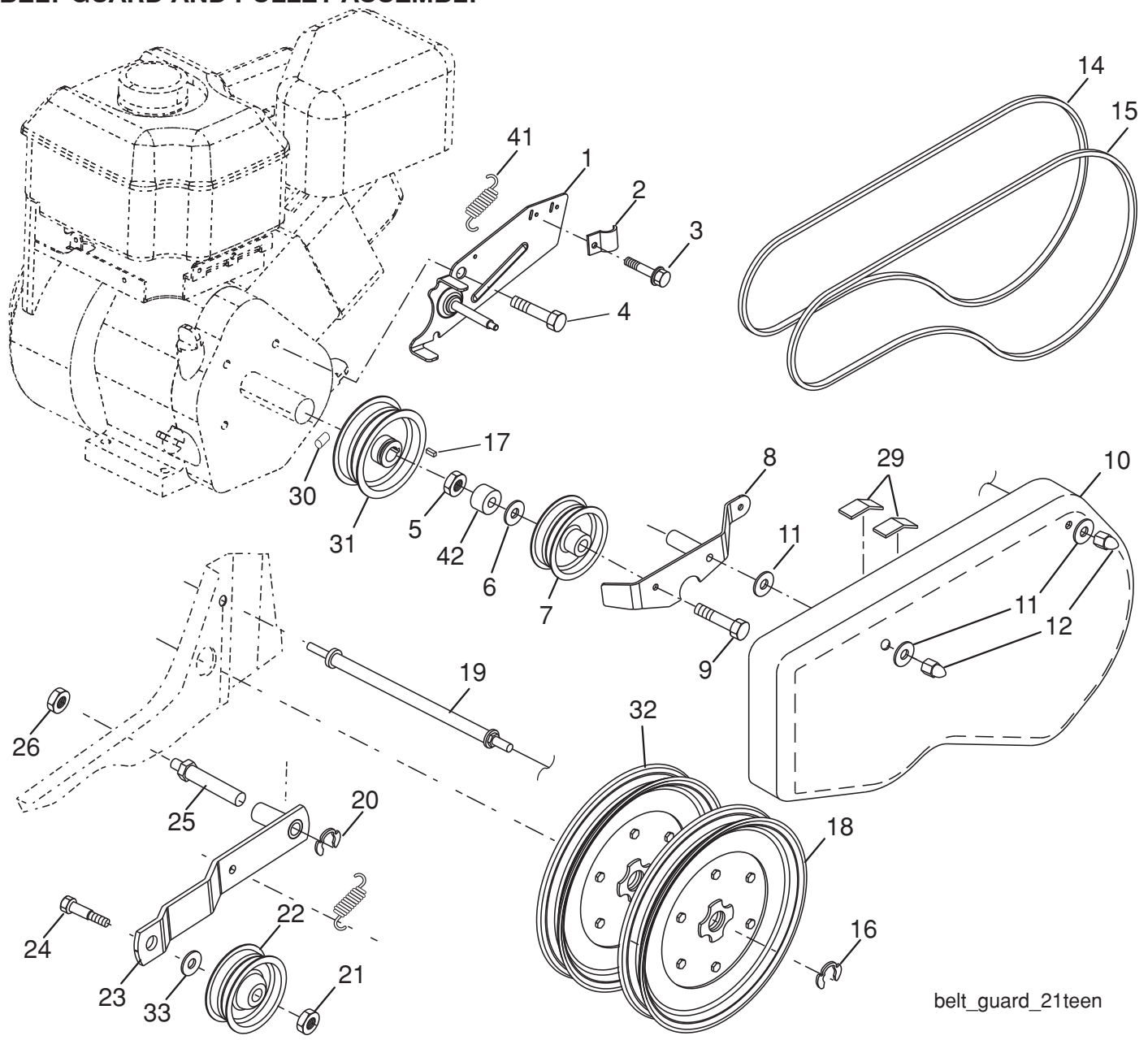
KEY NO.	PART NO.	DESCRIPTION
1	137176X668	Panel, Control
2	72140512	Bolt, Round Head 5/16-18 x 1-1/2
3	165787	Grip, Handle
4	166376X498	Handle, Double Bend, LH
5	751153	Nut, Crownlock 5/16 -18
7	19121414	Washer 3/8 x 7/8 x 14 Gauge
8	74760520	Bolt, Hex Head 5/16-18 x 1-1/4
10	10040500	Washer, Lock 5/16
11	73220500	Nut, Hex 5/16-18
12	98000129	Nut, Hex, Flanged

KEY NO.	PART NO.	DESCRIPTION
13	180847	Bolt, Round Head 5/16-18 x 3/4
14	9209RX668	Panel Assembly
16	166381X498	Handle, Double Bend, RH
19	188562	Lever, Tine Control
20	188555	Pin, Pivot
29	12000059	Retainer, Ring
30	181580	Routing Clip

NOTE: All component dimensions given in U.S. inches.
1 inch = 25.4 mm

HUSQVARNA TILLER - MODEL NUMBER 96083001000 (917.250093)

BELT GUARD AND PULLEY ASSEMBLY



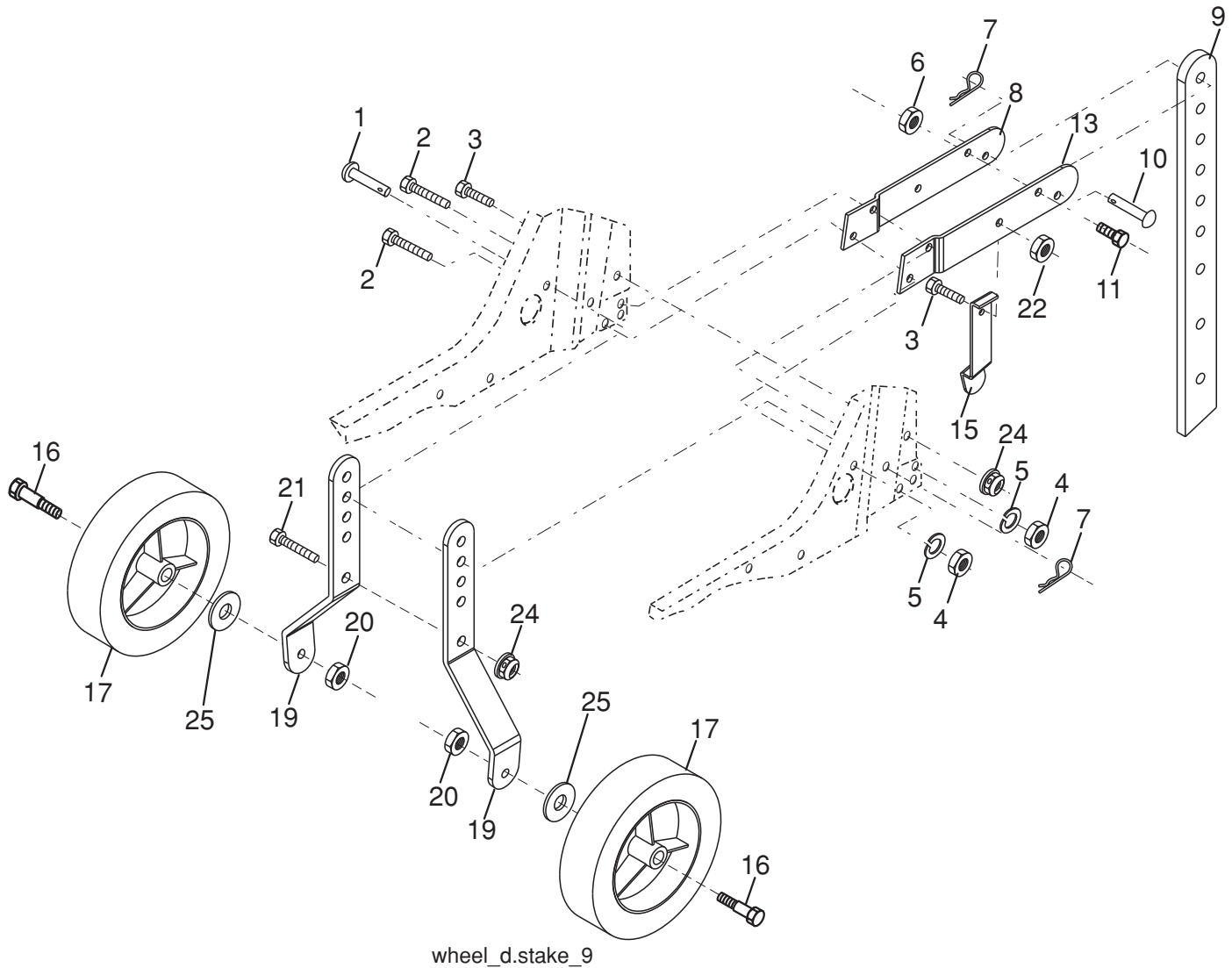
KEY NO.	PART NO.	DESCRIPTION
1	439162	Bracket Assembly, Belt Guard
2	9484R	Clip, Cable
3	150050	Screw #10-24 x 1/2
4	74770508	Bolt, Hex Head 1/2-20 x 3/4
5	751153	Locknut, Hex 3/8-16
6	437259	Spacer
7	584911201	Pulley, Idler, Reverse
8	159238X479	Reverse Idler Arm Assembly
9	74780536	Cap Screw, Hex Head 3/8-16 x 2
10	194630X668	Guard, Belt
12	104213X	Nut, Cap 1/4- 20
14	133035	V-Belt (Forward Motion)
15	2614J	V-Belt (Reverse)
16	12000028	Ring, Retainer
17	2649M	Key, Square
18	151236	Sheave, Transmission "Flat"
19	188502	Bolt, Belt Guard

KEY NO.	PART NO.	DESCRIPTION
20	12000036	Ring, Klip
21	751153	Locknut, Hex 3/8-16
22	180522	Pulley, Idler
23	580530002	Arm, Idler
24	74780524	Bolt 3/8-16 x 1-1/4
25	106968X	Shaft, Idler Arm
26	73350500	Nut, Hex, Jam 5/16-18
29	109227X	Pad, Idler
30	23200404	Set Screw, Socket, Headless, C.P. 1/4-20 x 1/4
31	101189L	Sheave, Engine
32	151223	Sheave, Transmision
33	155415	Washer 20 x 8.5 x 2.0
41	180307	Spring Extension
42	421613	Spacer, Control Lever

NOTE: All component dimensions given in U.S. inches.
1 inch = 25.4 mm

HUSQVARNA TILLER - MODEL NUMBER 96083001000 (917.250093)

WHEEL AND DEPTH STAKE ASSEMBLY

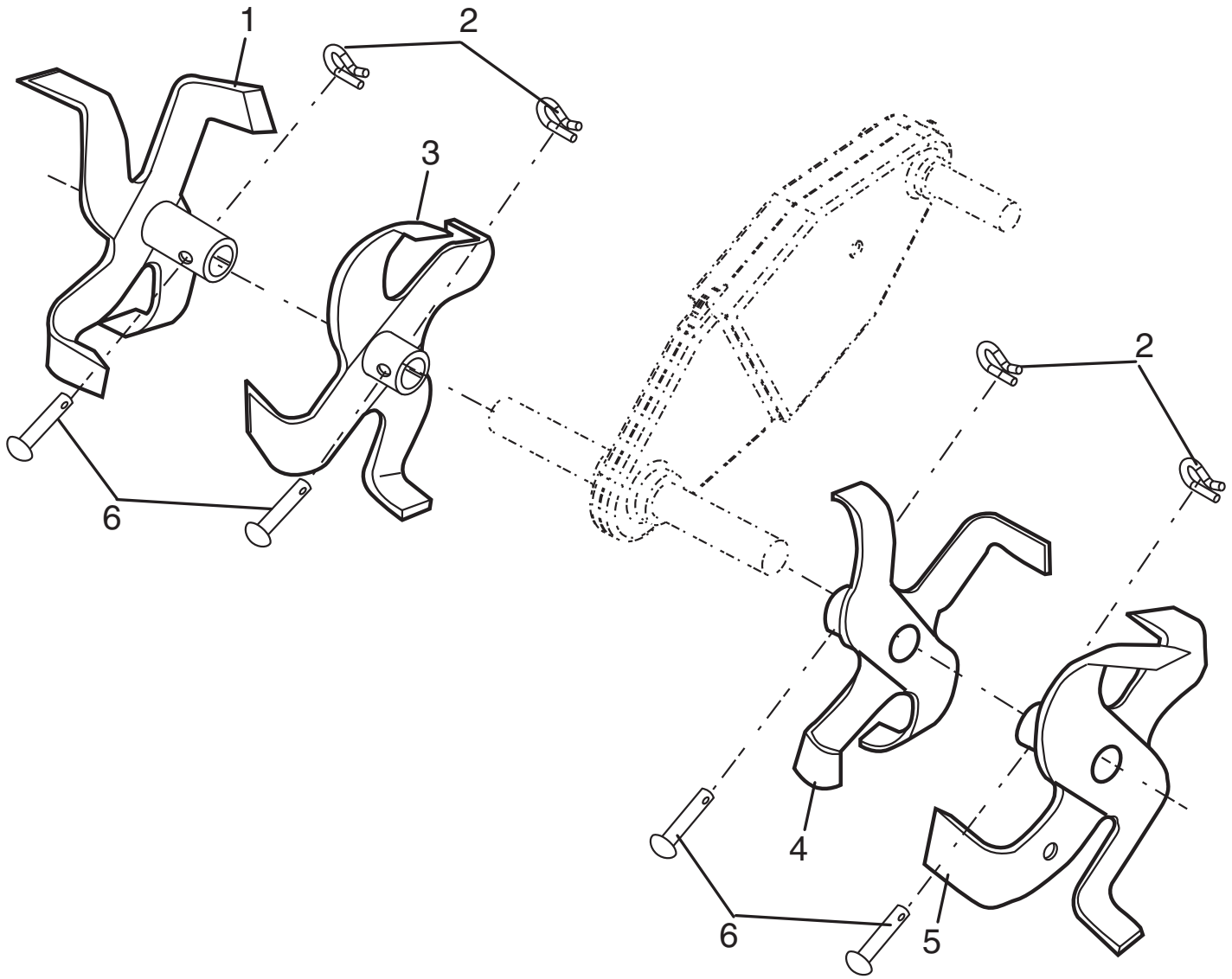


KEY NO.	PART NO.	DESCRIPTION
1	9194R	Pin, Clevis
2	74760520	Bolt, Hex Head 5/16-18 x 1-1/4
3	74780512	Bolt, Hex Head 5/16-18 x 3/4
4	73220500	Nut, Hex 5/16-18
5	10040500	Washer, Lock 5/16
6	73800600	Locknut, Hex, with Washer Insert 3/8-16
7	4921H	Clip, Hairpin
8	1952JX479	Support, Depth Stake, R.H.
9	122233X479	Stake, Depth
10	4929H	Pin, Clevis
11	74780628	Bolt, Hex Head 3/8-16 x 1-3/4
13	1951JX479	Support, Depth Stake, L.H.
15	5388JX004	Spring, Stake

KEY NO.	PART NO.	DESCRIPTION
16	121117X	Bolt, Shoulder
17	193851X613	Wheel
19	9190RX479	Bracket, Wheel
20	73680600	Nut, Crownlock 3/8-16
21	74760516	Bolt, Hex Head 5/16-18 x 1
22	73800500	Locknut, Hex, with Washer Insert 5/16-18
24	73970500	Locknut, Hex, Flanged 5/16-18 UNC
25	19171416	Washer 17/32 x 7/8 x 16 Gauge

NOTE: All component dimensions given in U.S. inches.
1 inch = 25.4 mm

HUSQVARNA TILLER - MODEL NUMBER 96083001000 (917.250093)
TINE ASSEMBLY



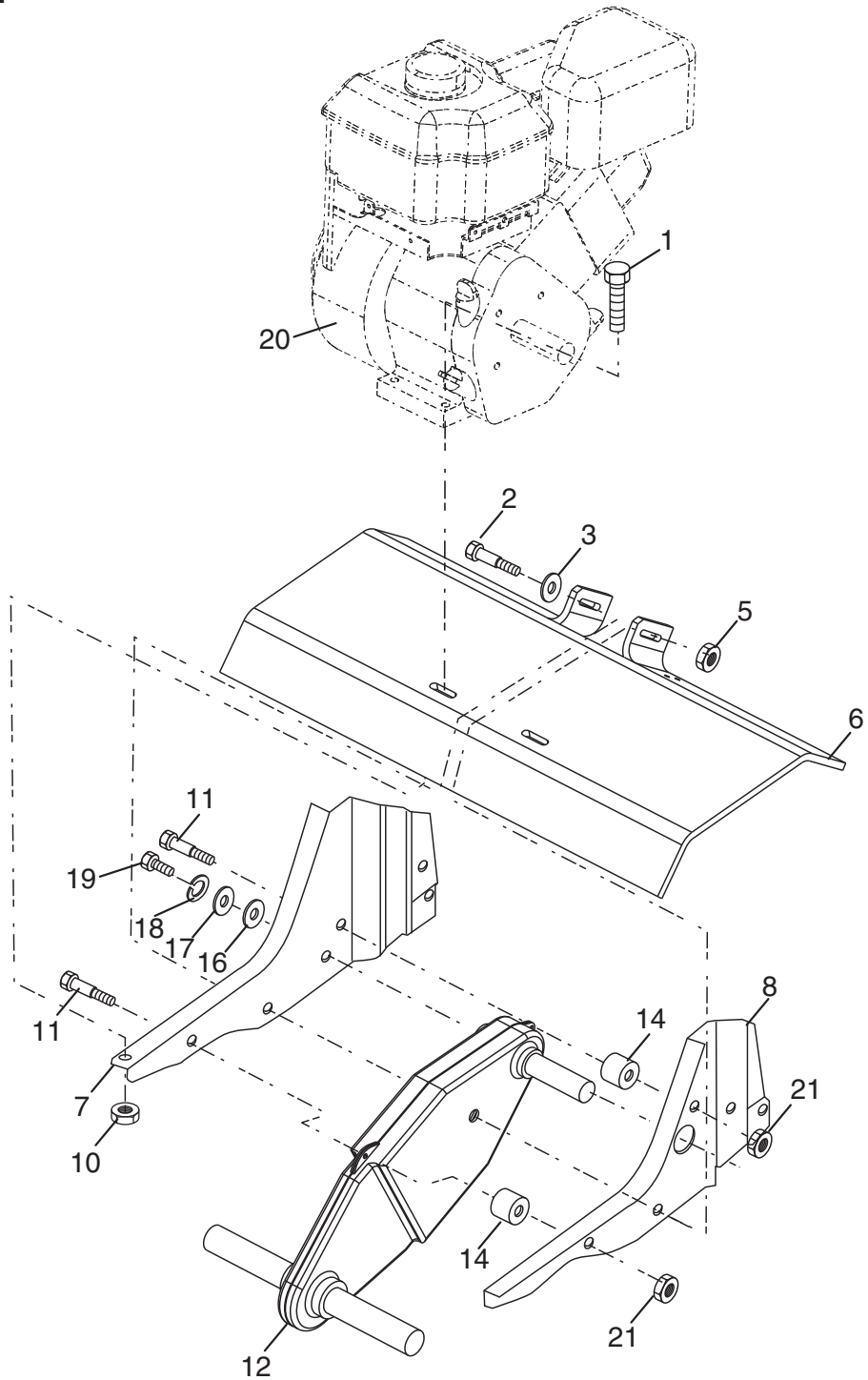
tine_ipb_3

KEY NO.	PART NO.	DESCRIPTION
1	583854602	Tine, Outer, R.H.
2	3146R	Retainer, Spring
3	583854402	Tine, Inner, R.H.
4	583854202	Tine, Inner, L.H.
5	583854502	Tine, Outer, L.H.
6	4929H	Rivet, Pan Head, Drilled, 1/4 Diameter

NOTE: All component dimensions given in U.S. inches.
 1 inch = 25.4 mm

HUSQVARNA TILLER - MODEL NUMBER 96083001000 (917.250093)

TRANSMISSION



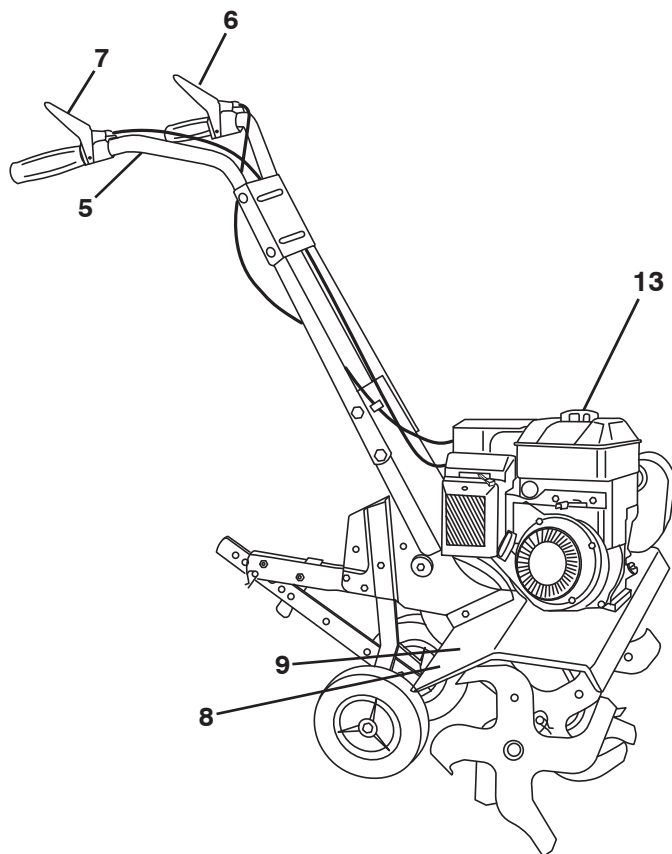
KEY NO.	PART NO.	DESCRIPTION
1	74760524	Bolt, Hex Head, Grade 2 5/16-18 x 1-1/2
2	74780652	Bolt, Hex Head 3/8-16 x 3-1/4
3	19131311	Washer 13/32 x 13/16 x 11
5	73900600	Locknut, Hex 3/8-16
6	9057RX668	Shield, Tine
7	188195X479	Bracket, Engine, R.H.
8	165834X479	Bracket, Engine, L.H.
10	73970500	Nut, Hex 5/16-18
11	187912	Bolt, Hex Head 5/16-18 x 2-1/2
12	151222	Transmission
14	446548	Spacer, Split
16	19091412	Washer 9/32 x 7/8 x 12 Gauge

KEY NO.	PART NO.	DESCRIPTION
17	19092016	Washer 9/32 x 1-1/4 x 16 Gauge
18	10040400	Washer, Lock 1/4
19	74610412	Bolt, Hex Head, Grade 5 1/4-28 x 3/4
20	---	Engine, Briggs & Stratton, Model Number 130G32-0056-F1 (For engine service and replacement parts, call Briggs & Stratton at 1-800-233-3723)
21	751153	Nut 5/16-18

NOTE: All component dimensions given in U.S. inches.
1 inch = 25.4 mm

HUSQVARNA TILLER - MODEL NUMBER 96083001000 (917.250093)

DECALS



KEY NO.	PART NO.	DESCRIPTION
5	110614X	Decal, Hand Placement
6	158700	Decal, Control Forward
7	158701	Decal, Control Reverse
8	120076X	Decal, Warning, Rotating Tines
9	422972	Decal, Tine Shield
13	423830	Decal, Warning, Ethanol (E85)
--	115684832	Manual, Operator's, English / French
--	115684846	Manual, Operator's, Spanish