

Gasoline containing up to 10% ethanol (E10) is acceptable for use in this machine. The use of any gasoline exceeding 10% ethanol (E10) will void the product warranty.

Parts Manual

MZ52 / 967277405



Please read the operator's manual carefully and make sure you understand the instructions before using the machine.

When you need spare parts or support in service questions, warranty issues, etc., please consult the following professional:

This manual belongs to the machine with the manufacturing number:	Engine	Transmission

Manufacturing Number

The machine's manufacturing number can be found on the printed plate affixed to the engine compartment.

Stated on the plate, from the top are:

- The machine's type designation (I.D.).
- The manufacturer's type number (Model).
- The machine's serial number (Serial no.)

Please have the type designation and serial number available when ordering spare parts.

The engine's manufacturing number is stamped on one of the valve covers.

The plate states:

- The engine's model.
- The engine's type.
- Code

Please have these available when ordering spare parts.

The wheel motors and hydrostatic pumps have a barcode decal affixed at the rear.

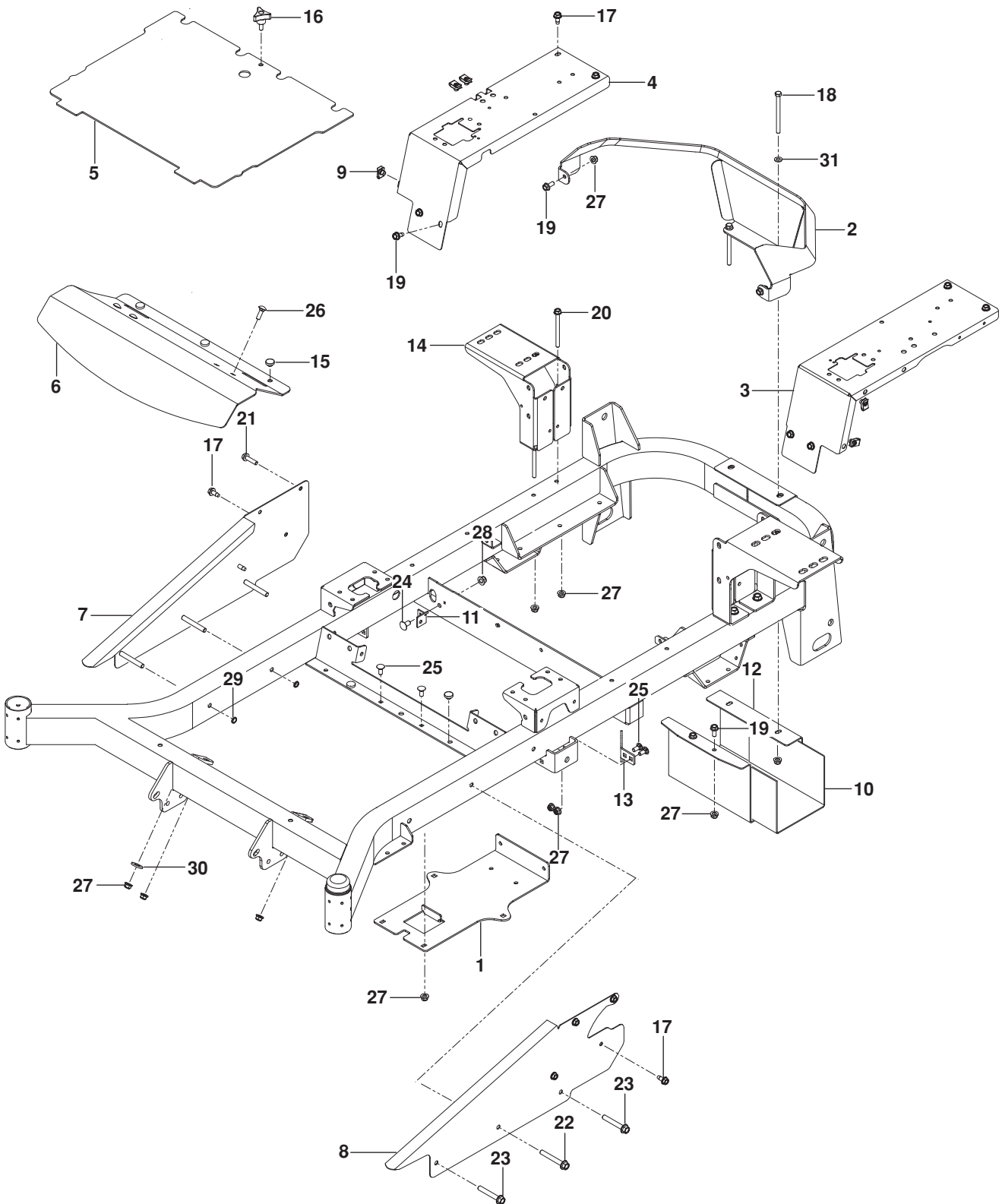
Accessories Available	
Collection System -----	966 793001
Mulch Kit -----	965 894001

CONTENTS

FRAME.....	4	SEAT	22
ENGINE PLATE.....	6	DECALS	24
STEERING	8	PROTECTION FRAME	26
IGNITION.....	10	ACCESSORIES.....	28
PARKING BRAKE	12	Blower	28
HYDRAULIC PUMP-MOTOR.....	14	Bagger	30
WHEELS	16	Chutes.....	32
MOWER LIFT / DECK LIFT.....	18	Guard, Mount and Belt.....	34
MOWER DECK / CUTTING DECK	20	Mulch Kit	36

NOTE: ALL FASTENERS ARE GRADE 5 UNLESS OTHERWISE SPECIFIED.

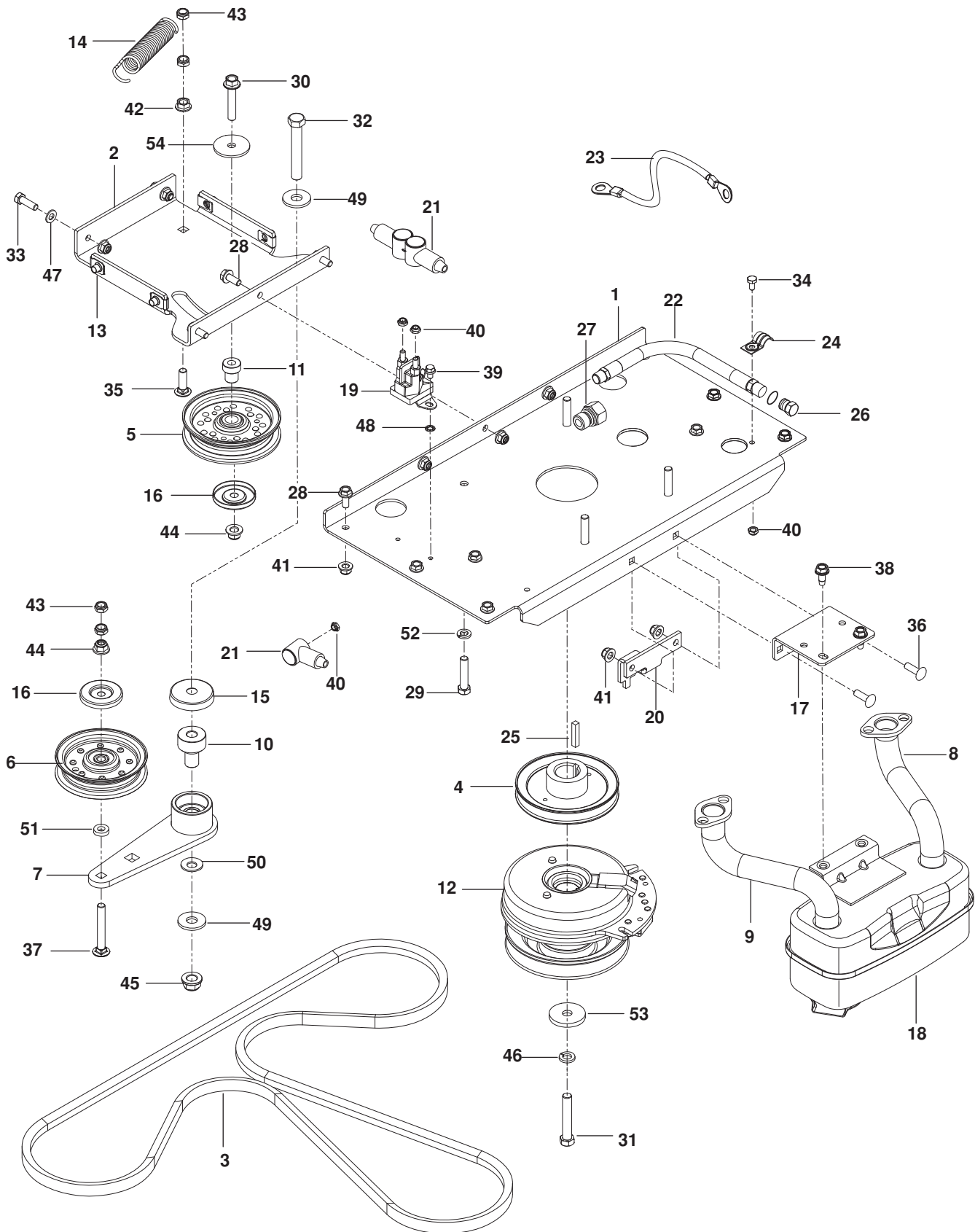
FRAME



FRAME

ITEM	PART NO.	QTY.	DESCRIPTION	ITEM	PART NO.	QTY.	DESCRIPTION
1..	575 017202....1	PLATE, BATTERY, BLK	17..	539 107475..12	BOLT $5/16$ -18 x $3/4$ THD FRM
2..	575 348402....1	GUARD, REAR GRY	18..	539 102335....2	HCS $5/16$ -18 x 4
3..	577 256802....1	PANEL, LT ORG	19..	874 490512....5	HHFS $5/16$ -18 x $3/4$
4..	577 256902....1	PANEL, RT ORG	20..	874 490560....4	HHFS $5/16$ -18 x $33/4$
5..	539 132744....1	PLATE w/ SAFTY DECAL	21..	525 544001....1	HHFS $5/16$ -18 x $11/4$ TPBLT
6..	539 132380....1	PLATE, FOOTREST ORG	22..	874 490644....2	HHFS $3/8$ -16 x $23/4$
7..	539 131579....1	SIDE, RT ORG	23..	539 133006....4	HHFS $3/8$ -16 x $21/2$
8..	539 131577....1	SIDE, LT ORG	24..	872 050606....2	RHSNB $3/8$ -16 x $3/4$
9..	539 104763....8	RETAINER, U TYPE $5/16$ -18	25..	872 140506....6	RHSNB $5/16$ -18 x $3/4$
10..	539 132859....1	SHIELD, HEAT	26..	872 140508....3	RHSNB $5/16$ -18 x 1
11..	575 245202....2	BRACKET, DAMPENER	27..	539 112899..12	NUT $5/16$ -18 HEX FLG NYLOC
12..	575 230402....1	SHIELD, MUFFLER BLK	28..	521 996501....2	NUT $3/8$ -16 HEX FLG NYLOC
13..	505 256401....2	STOP, DECK	29..	539 200282....6	NUT $3/8$ -16 HEX JAM NYLOC
14..	575 533602....2	MOUNT, TANK BLK	30..	539 990250....1	WASHER
15..	539 102587....5	GROMMET, BUMPER	31..	819 111116....2	WASHER $5/16$ SAE FLT
16..	539 104411....1	KNOB w/ STUD				

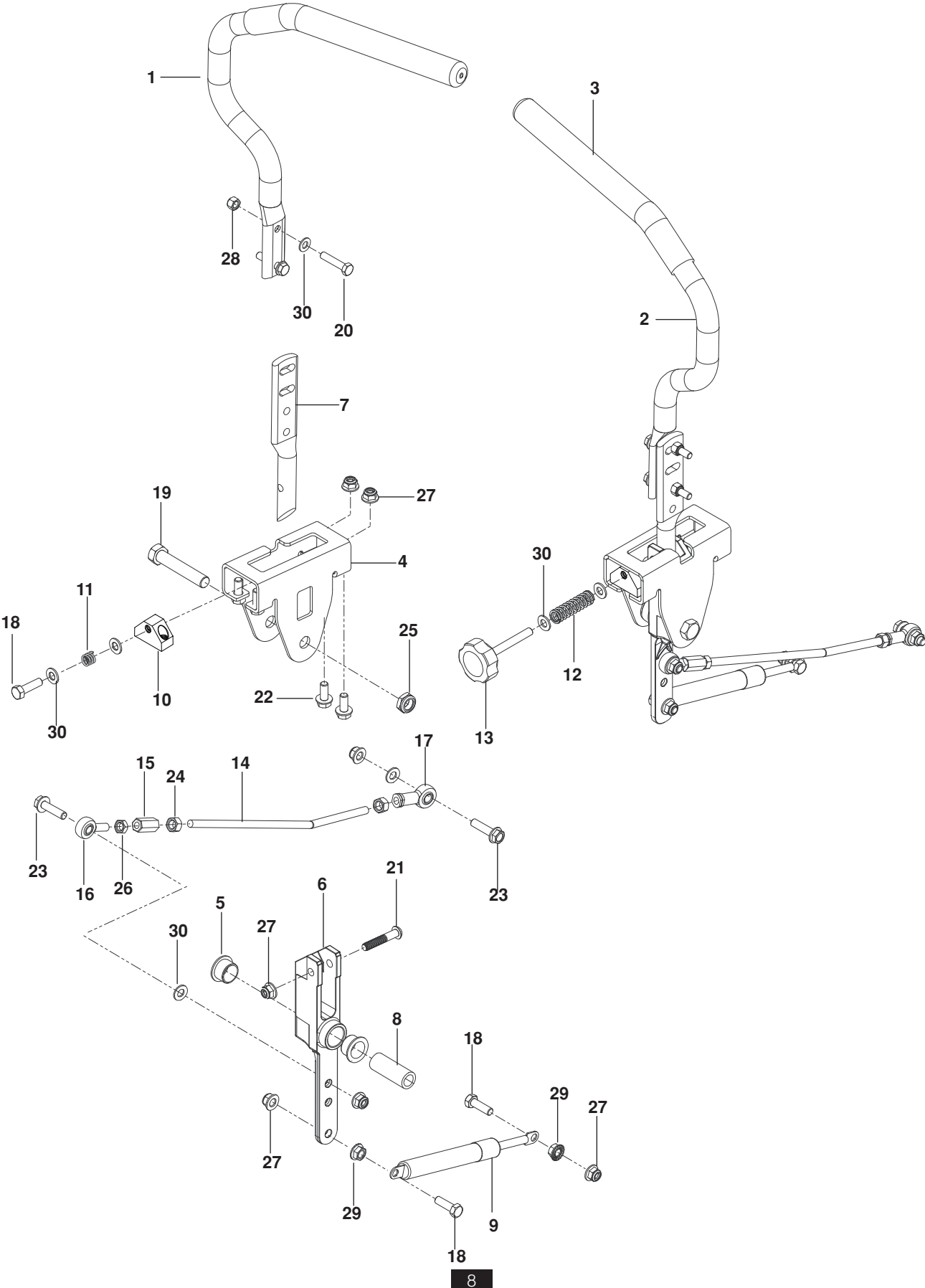
ENGINE PLATE



ENGINE PLATE

ITEM	PART NO.	QTY.	DESCRIPTION	ITEM	PART NO.	QTY.	DESCRIPTION
1..	574 846302....	1 PLATE, ENGINE BLK	29..	539 976949....	4 HCS $\frac{3}{8}$ -16 x $1\frac{3}{4}$
2..	574 846402....	1 PLATE, IDLER SUPPORT BLK	30..	874 490632....	1 HHFS $\frac{3}{8}$ -16 x 2
3..	574 870901....	1 BELT, HYDRO	31..	581 332802....	1 HCS $\frac{7}{16}$ -20 x $2\frac{1}{2}$
4..	585 813701....	1 PULLEY, DRIVE	32..	539 103433....	1 HCS $\frac{1}{2}$ -13 x $3\frac{1}{4}$
5..	539 976688....	1 PULLEY, IDLER	33..	874 780516....	2 HCS $\frac{5}{16}$ -18 x 1
6..	532 175820....	1 PULLEY, IDLER SECONDARY	34..	539 990071....	1 HCS $\frac{1}{4}$ -20 x $\frac{1}{2}$
7..	510 041603....	1 ARM, IDLER w/ BEARINGS	35..	539 100413....	1 RHSNB $\frac{3}{8}$ -16 x $1\frac{1}{4}$
8..	583 955701....	1 EXHAUST TUBE, RT	36..	539 107271....	2 RHSNB $\frac{5}{16}$ -18 x 1
9..	583 955601....	1 EXHAUST TUBE, LT	37..	539 130235....	1 RHSNB $\frac{3}{8}$ -16 x $2\frac{3}{4}$
10..	510 206301....	1 PIVOT, BEARING	38..	539 107475....	2 BOLT $\frac{5}{16}$ -18 x $\frac{3}{4}$ THD FRM
11..	525 435601....	1 PIVOT, IDLER	39..	539 990302....	2 SCREW $\frac{1}{4}$ -20 x $\frac{3}{8}$ THD FRM
12..	532 179335....	1 CLUTCH	40..	539 108120....	4 NUT $\frac{1}{4}$ -20 THIN NYLOC
13..	539 104763....	4 RETAINER, U TYPE $\frac{5}{16}$ -18	41..	539 112899..	15 NUT $\frac{5}{16}$ -18 HEX FLG NYLOC
14..	510 254401....	1 SPRING, PUMP	42..	539 990613....	1 NUT $\frac{3}{8}$ -16 WHIZLK
15..	539 114662....	1 SHIELD, DUST	43..	539 200282....	4 NUT $\frac{3}{8}$ -16 HEX JAM NYLOC
16..	510 254501....	2 SHIELD, DUST	44..	521 996501....	2 NUT $\frac{3}{8}$ -16 HEX FLG NYLOC
17..	575 229902....	1 BRACKET, MUFFLER BLK	45..	521 991101....	1 NUT $\frac{1}{2}$ -13 HEX FLG NYLOC
18..	539 131604....	1 MUFFLER	46..	539 990247....	1 WASHER $\frac{7}{16}$ SLW
19..	539 101714....	1 SOLENOID	47..	819 111116....	2 WASHER $\frac{5}{16}$ SAE
20..	585 813601....	1 STOP, CLUTCH	48..	539 990053....	1 WASHER $\frac{1}{4}$ INT TOOTH LK
21..	539 102759....	3 INSULATOR	49..	539 109554....	2 WASHER $\frac{1}{2}$ FLT
22..	584 825501....	1 HOSE, DRAIN	50..	539 115528....	1 WASHER $\frac{1}{2}$ BELLEVILLE
23..	539 102757....	1 CABLE, POSITIVE	51..	539 109562....	1 WASHER $\frac{3}{8}$
24..	539 101363....	1 CLAMP	52..	810 030600....	4 WASHER $\frac{3}{8}$ SLW
25..	539 912757....	1 KEY $\frac{1}{4}$ SQ x $1\frac{1}{4}$	53..	539 106504....	1 WASHER, HARDEN
26..	585 807101....	1 PLUG, OIL DRAIN	54..	539 111897....	1 WASHER $\frac{3}{8}$ SPECIAL
27..	522 599001....	1 ADAPTER, OIL DRAIN				NOT SHOWN
28..	874 490512..	11 HHFS $\frac{5}{16}$ -18 x $\frac{3}{4}$		575 018301....	1 PIGTAIL, KAWASAKI

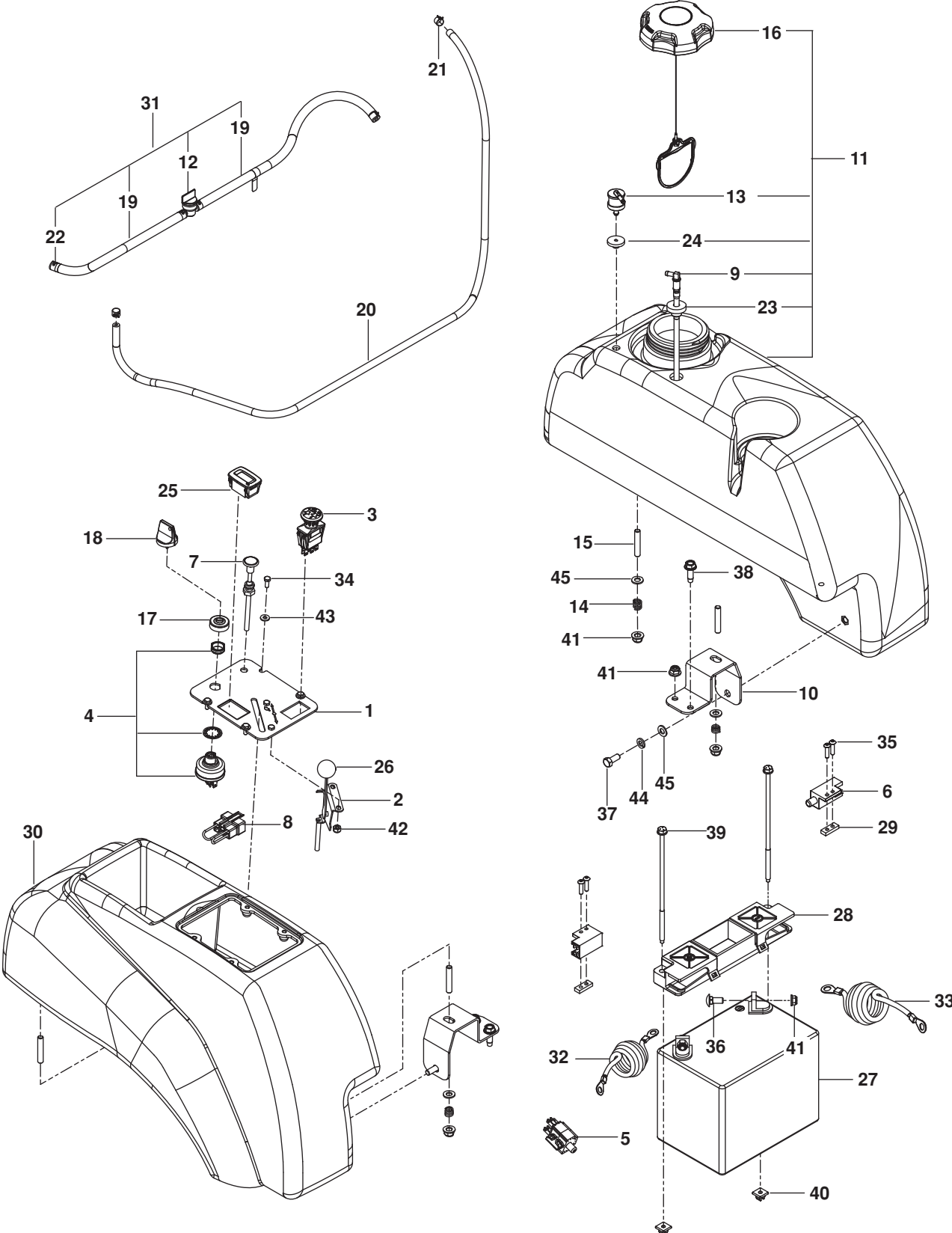
STEERING



STEERING

ITEM	PART NO.	QTY.	DESCRIPTION	ITEM	PART NO.	QTY.	DESCRIPTION
1..	539 132009....1	LEVER w/ GRIP RT	16..	539 116690....2	ROD END LT
2..	539 132010....1	LEVER w/ GRIP LT	17..	539 115729....2	ROD END RT
3..	539 130894....2	GRIP, FOAM	18..	874 780520....5	HCS $\frac{5}{16}$ -18 x $1\frac{1}{4}$
4..	577 251701....2	BRACKET, CONTROL	19..	874 780844....2	HCS $\frac{1}{2}$ -13 x $2\frac{3}{4}$
5..	539 131518....4	BEARING, FLANGE	20..	539 976935....4	HCS $\frac{5}{16}$ -18 x $1\frac{1}{2}$
6..	576 140301....2	LEVER, CONTROL	21..	576 850402....2	SCREW $\frac{5}{16}$ -18 X $1\frac{3}{4}$ BTN HD
7..	577 420001....2	LEVER, HANDLE	22..	874 490512....8	HHFS $\frac{5}{16}$ -18 X $\frac{3}{4}$
8..	577 252401....2	SPACER, PIVOT CONTROL	23..	525 544001....4	HHFS $\frac{5}{16}$ -18 x $1\frac{1}{4}$ TPBLT
9..	539 102720....2	DAMPENER	24..	539 990223....4	NUT $\frac{5}{16}$ -24 HEX
10..	581 437501 ...2	BLOCK, TRACKING	25..	539 108010....2	NUT $\frac{1}{2}$ -13 HEX JAM NYL GR2
11..	539 102845....1	SPRING	26..	539 991073....2	NUT $\frac{5}{16}$ -24 HEX JAM LH
12..	576 850301....1	SPRING	27..	539 112899..10	NUT $\frac{5}{16}$ -18 HEX FLG NYLOC
13..	539 131799....1	KNOB	28..	873 800500....6	NUT $\frac{5}{16}$ -18 HEX NYLOC
14..	574 811401....2	ROD, MOTION CONTROL	29..	539 990585....4	NUT $\frac{5}{16}$ -18 HEX WHIZLK
15..	539 116689....2	COUPLER, ROD END	30..	819 111116..12	WASHER $\frac{5}{16}$ SAE FLT

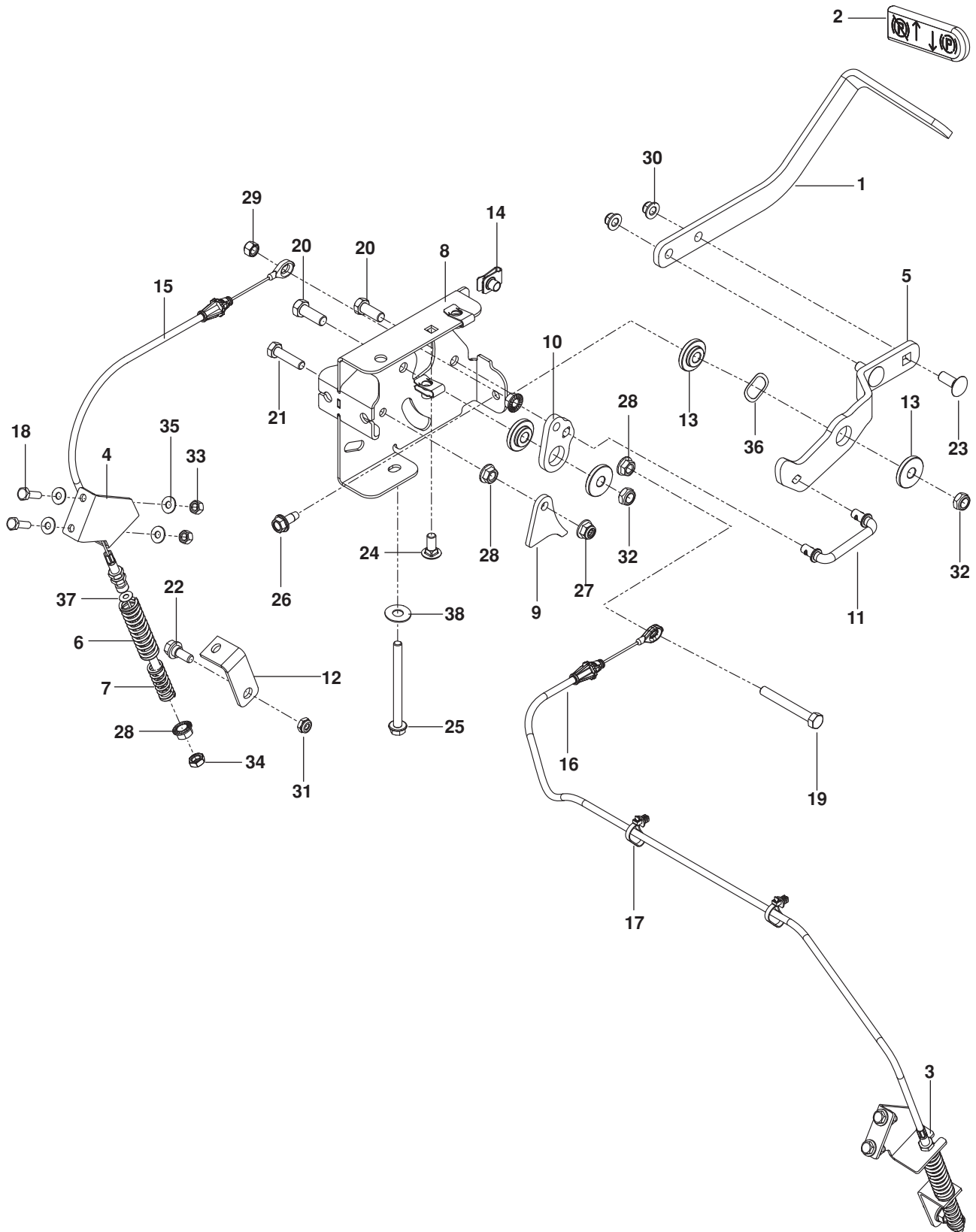
IGNITION



IGNITION

ITEM	PART NO.	QTY.	DESCRIPTION	ITEM	PART NO.	QTY.	DESCRIPTION
1..	574 841204....	1 PLATE, CONSOLE, BLK	25..	586 161801....	1 METER, SERVICE
2..	539 112438....	1 CABLE, THROTTLE	26..	539 133049....	1 KNOB
3..	539 131627....	1 SWITCH, PTO 10 AMP	27..	539 102436....	1 BATTERY
4..	574 455401....	1 SWITCH, IGNITION	28..	539 107628....	1 BATTERY HOLD DOWN
5..	539 113792....	1 SWITCH, BRAKE	29..	539 102678....	2 PLATE, TAPPED
6..	532 109553....	2 SWITCH, INTERLOCK	30..	539 107593....	1 FENDER CONSOLE, RT
7..	539 112439....	1 CHOKE CONTROL	31..	576 547802....	1 ASSY, FUEL LINE
8..	575 321001....	1 PLUG, TIMER	32..	539 104974....	1 CABLE, POSITIVE 31"
9..	576 469201....	1 FITTING, FUEL	33..	539 107645....	1 CABLE, NEGATIVE 32"
10..	539 131671....	2 SUPPORT, TANK, BLK	34..	539 990411....	6 SCREW #10-24 x 1/2 SLT
11..	585 722301....	1 TANK ASSY LT	35..	574 822701....	4 SCREW #10-24 x 3/4 SKT HD
12..	539 916325....	1 VALVE, FUEL	36..	872 140506....	2 RHSNB 5/16-18 x 3/4
13..	576 618101....	1 VALVE, FUEL CHECK	37..	874 780512....	2 HCS 5/16-18 x 3/4
14..	539 102845....	6 SPRING	38..	817 490516....	3 BOLT 5/16-18 x 1 THD FRM
15..	539 102502....	6 STUD 5/16-18	39..	539 107632....	2 BOLT 1/4 x 7 1/2
16..	575 018101....	1 FUEL CAP w /TETHER	40..	539 107629....	2 NUT 1/4 PUSH NYLON
17..	539 103178....	1 CAP, IGNITION SWITCH NUT	41..	539 112899..	12 NUT 5/16-18 HEX FLG NYLOC
18..	574 455501....	1 KEY, IGNITION	42..	539 976977....	2 NUT #10-24 NYLOC
19..	539 932956....	1 HOSE, FUEL 10"	43..	819 070818....	4 WASHER #10
20..	576 660609....	1 HOSE 3/16 VAPOR 27"	44..	810 030500....	2 WASHER 5/16 SLW
21..	575 436501....	2 CLAMP, HOSE	45..	819 111116....	8 WASHER 5/16 SAE
22..	539 912222....	4 CLAMP, HOSE	NOT SHOWN			
23..	539 105245....	1 GROMMET, RUBBER	575 320901....	1 HARNESS, MAIN	
24..	584 648201....	1 GROMMET, CHECK VALVE				

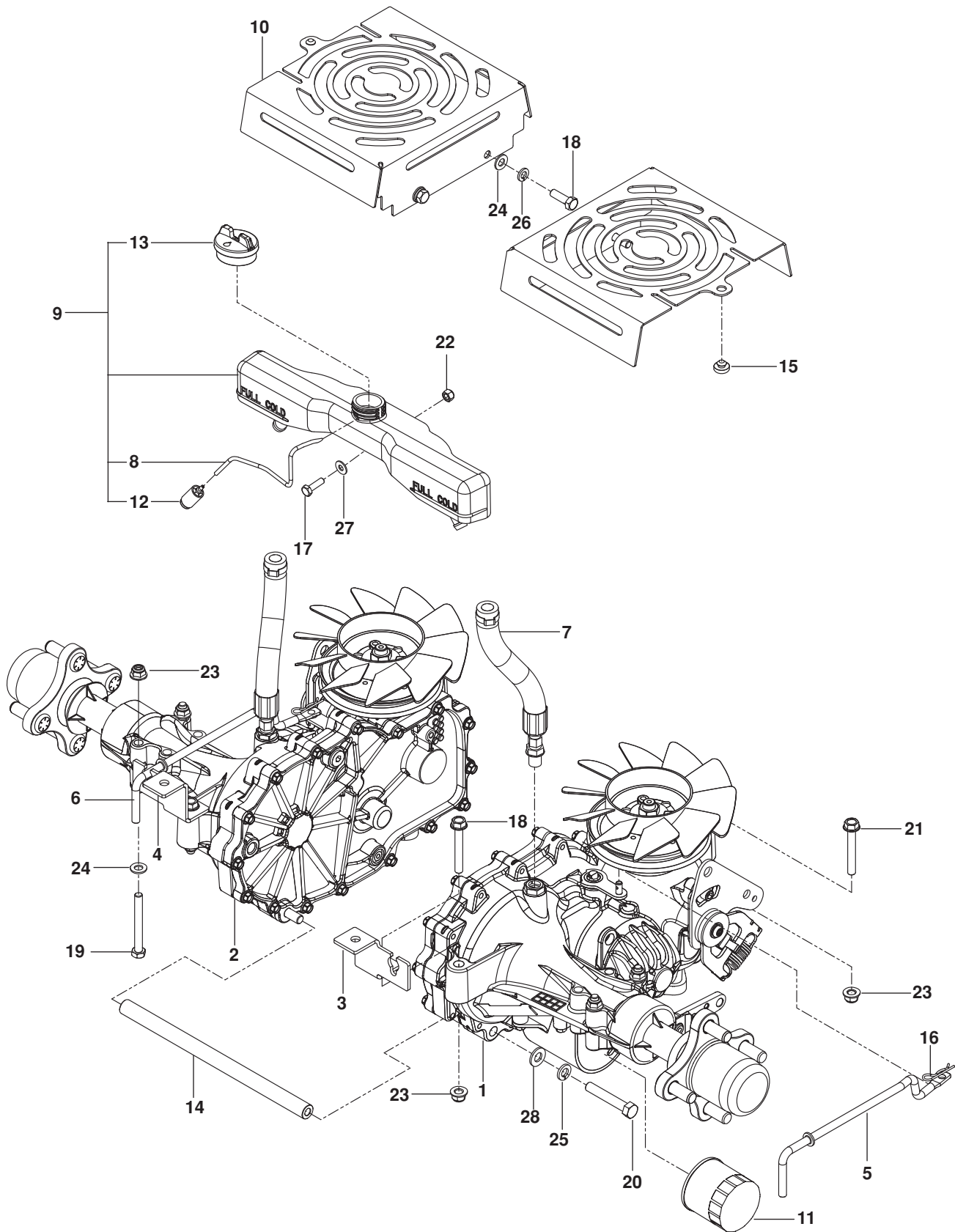
PARKING BRAKE



PARKING BRAKE

ITEM	PART NO.	QTY.	DESCRIPTION	ITEM	PART NO.	QTY.	DESCRIPTION
1..	539 132151....	1	ARM, BRAKE	20..	874 780616....	2	HCS $\frac{3}{8}$ -16 x 1
2..	539 105036....	1	GRIP, BRAKE HANDLE	21..	874 780516....	1	HCS $\frac{5}{16}$ -18 x 1
3..	575 229602....	1	BRACKET, RT BLK	22..	539 110303....	2	BOLT $\frac{5}{16}$ SHOULDER
4..	575 229702....	1	BRACKET, LT BLK	23..	872 140608....	2	RHSNB $\frac{3}{8}$ -16 x 1
5..	539 132423....	1	LEVER, BRAKE	24..	872 140506....	1	RHSNB $\frac{5}{16}$ -18 x $\frac{3}{4}$
6..	575 230201....	2	SPRING, RETURN	25..	874 490560....	1	HHFS $\frac{5}{16}$ -18 x $3\frac{3}{4}$
7..	575 230301....	2	SPRING, ENGAGEMENT	26..	539 107475....	1	BOLT $\frac{5}{16}$ -18 x $\frac{3}{4}$ THD FRM
8..	539 132158....	1	MOUNT, BRAKE	27..	539 112899....	4	NUT $\frac{5}{16}$ -18 HEX FLG NYLOC
9..	539 132154....	1	ACTUATOR, SWITCH	28..	539 990585....	5	NUT $\frac{5}{16}$ -18 HEX WHIZLK
10..	539 132153....	1	BELLCRANK, BRAKE	29..	873 800500....	1	NUT $\frac{5}{16}$ -18 HEX NYLOC
11..	539 132424....	1	LINKAGE, BRAKE	30..	521 996501....	2	NUT $\frac{3}{8}$ -16 HEX FLG NYLOC
12..	575 229802....	2	BRACKET, BRAKE	31..	539 115617....	2	NUT $\frac{5}{16}$ HEX NYLOC THIN
13..	539 132161....	4	BUSHING, BRAKE	32..	539 200282....	2	NUT $\frac{3}{8}$ -16 HEX JAM NYLOC
14..	539 104763....	3	RETAINER, U TYPE $\frac{5}{16}$ -18	33..	539 976978....	4	NUT $\frac{1}{4}$ -20 HEX NYLOC
15..	539 132173....	1	CABLE, BRAKE SHORT	34..	539 107897....	2	NUT $\frac{5}{16}$ -18 HEX JAM
16..	539 132174....	2	CABLE, BRAKE LONG	35..	539 990055....	8	WASHER $\frac{1}{4}$ SAE FLT
17..	505 280001....	2	TIE WRAP w/ CLIP	36..	539 133007....	1	WASHER .825 WAVE
18..	874 780414....	4	HCS $\frac{1}{4}$ -20 x $\frac{7}{8}$	37..	819 131316....	2	WASHER $\frac{3}{8}$ SAE FLT
19..	874 780540....	1	HCS $\frac{5}{16}$ -18 x $2\frac{1}{2}$ TPBLT	38..	539 109554....	1	WASHER $\frac{1}{2}$ FLT

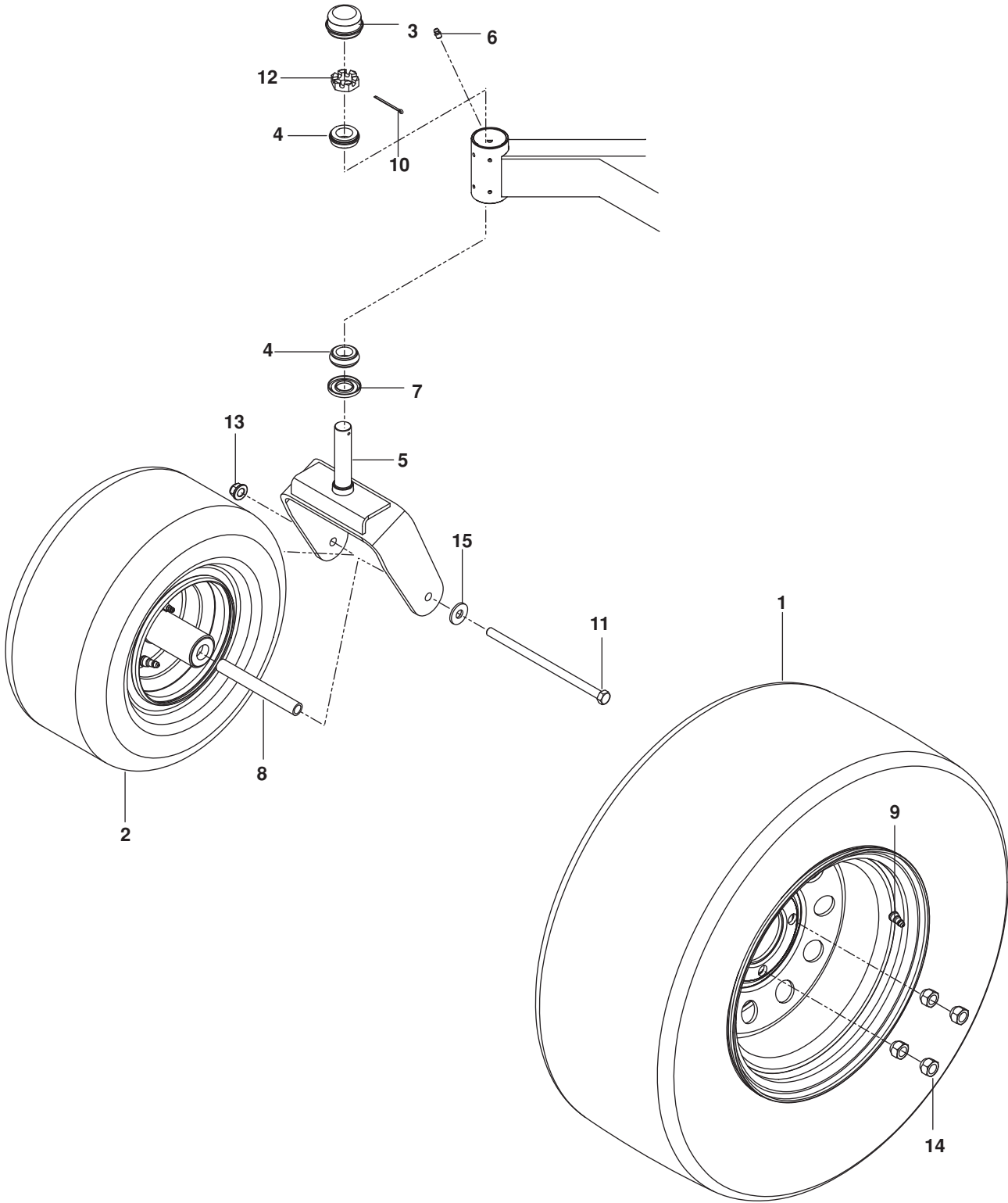
HYDRAULIC PUMP-MOTOR



HYDRAULIC PUMP-MOTOR

ITEM	PART NO.	QTY.	DESCRIPTION	ITEM	PART NO.	QTY.	DESCRIPTION
1..	577 227702....	1 TRANS, ZT-3100, LT	15..	539 102587....	2 GROMMET, BUMPER
2..	577 227701....	1 TRANS, ZT-3100, RT	16..	539 976988....	2 HAIRPIN COTTER
3..	575 017102....	1 BRACKET, TRANS, LT	17..	874 780414....	1 HCS 1/4-20 x 7/8
4..	575 017002....	1 BRACKET, TRANS, RT	18..	874 780516....	4 HCS 5/16-18 x 1
5..	539 131616....	1 LINKAGE, BYPASS LT	19..	874 780544....	4 HCS 5/16-18 x 2 3/4
6..	539 131618....	1 LINKAGE, BYPASS RT	20..	874 880636....	2 HCS 3/8-16 x 2 1/2 GR8
7..	586 165801....	2 HOSE, EXPANSION	21..	574 233801....	4 HHFS 5/16-18 x 2 1/4
8..	586 067501....	1 HOSE, FUEL	22..	539 976978....	1 NUT 1/4-20 HEX NYLOC
9..	585 318201....	1 TANK, EXPANSION	23..	539 112899....	8 NUT 5/16-18 HEX FLG NYLOC
10..	584 994202....	2 COVER, FAN BLK	24..	819 111116....	8 WASHER 5/16 SAE FLT
11..	539 113466....	2 FILTER, HYDRO	25..	810 030600....	2 WASHER 3/8 SLW
12..	530 095646....	1 FILTER	26..	810 030500....	4 WASHER 5/16 SLW
13..	586 072701....	1 CAP, TANK	27..	539 990055....	1 WASHER 1/4 SAE FLT
14..	574 868501....	1 TUBE 10 3/8" SPACER	28..	819 131316....	2 WASHER 3/8 SAE FLT

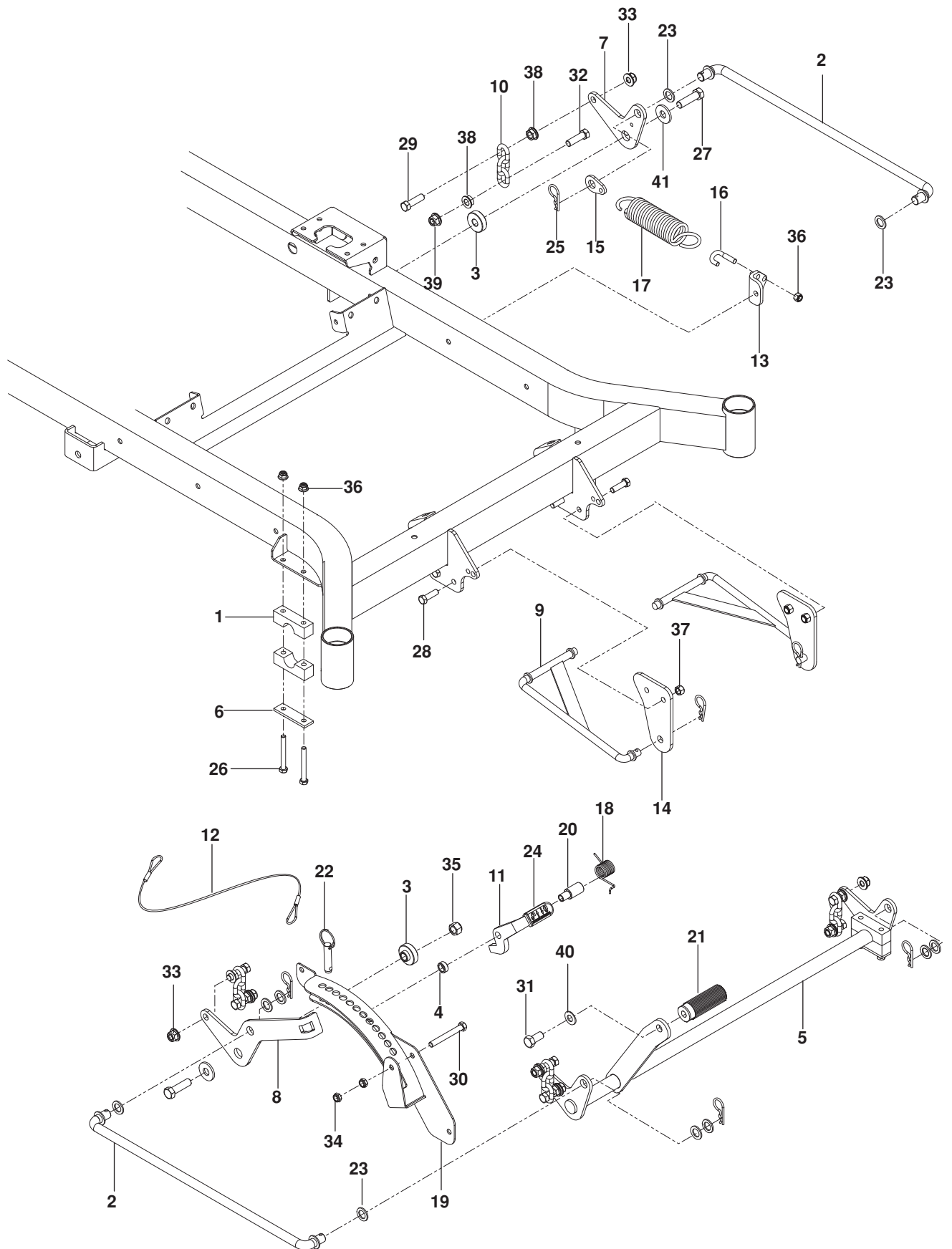
WHEELS



WHEELS

ITEM	PART NO.	QTY.	DESCRIPTION	ITEM	PART NO.	QTY.	DESCRIPTION
1..	580 747001....2	WHEEL ASSY 22 x 10-10	9..	539 912234....2	AIR VALVE
2..	581 199501....2	WHEEL ASSY 13 x 6.5	10..	539 102889....2	COTTER PIN 1/8 x 2
3..	539 102535....2	CAP, GREASE	11..	539 105517....2	HCS 1/2-13 x 9 1/2
4..	539 102543....4	BEARING, ROLLER TAPERED	12..	539 102852....2	NUT 1"-14 SLOTTED JAM
5..	575 329202....2	YOKE, CASTER, ORG	13..	521 991101 ...2	NUT 1/2-13 HEX FLG NYLOC
6..	539 101474....2	ZERK	14..	539 101173....8	NUT 1/2-20 LUG
7..	539 102851....2	SEAL	15..	539 109554....2	WASHER 1/2 FLT
8..	575 334901....2	SPACER, PIVOT				

MOWER LIFT / DECK LIFT



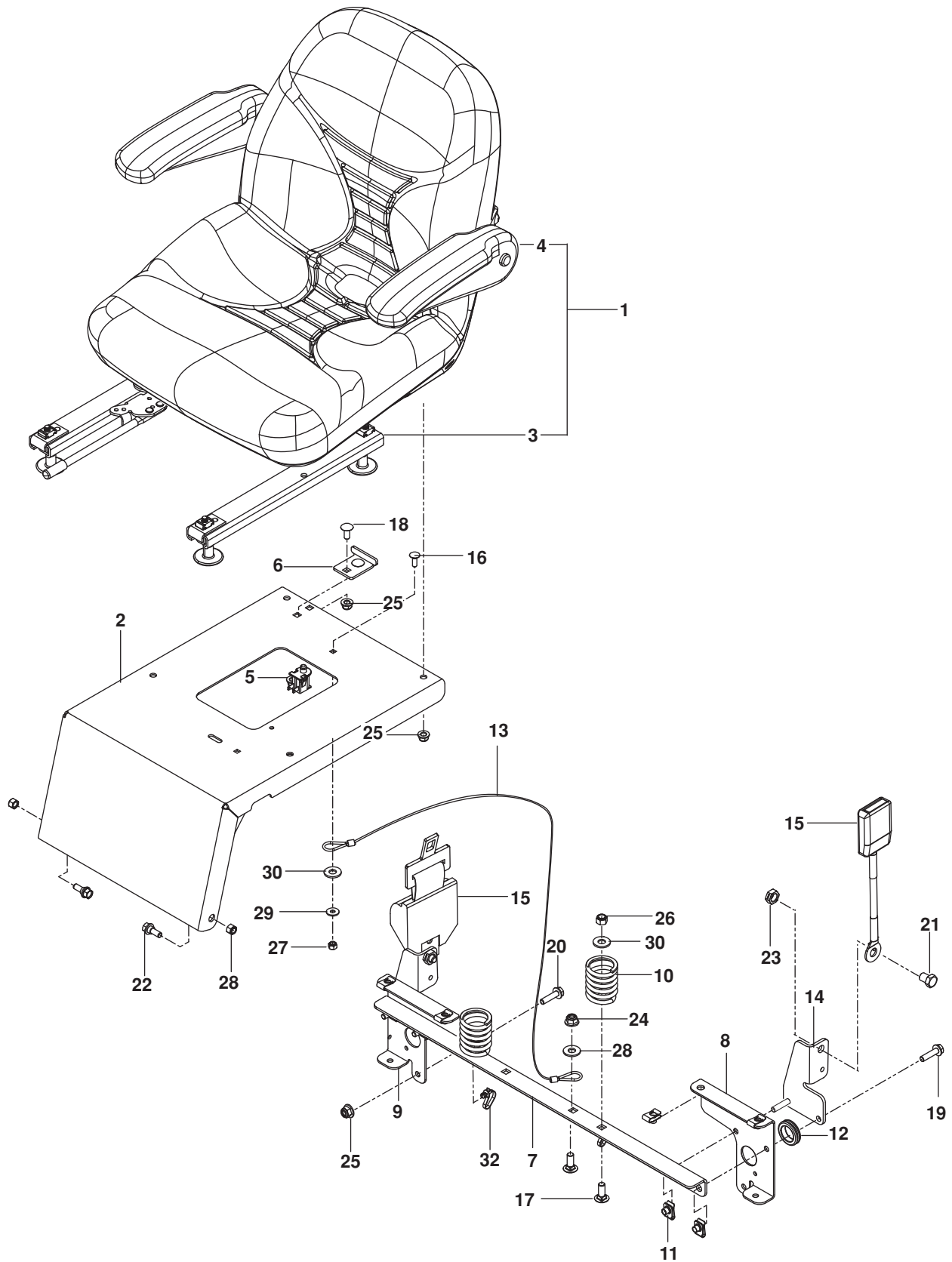
MOWER LIFT / DECK LIFT

ITEM	PART NO.	QTY.	DESCRIPTION	ITEM	PART NO.	QTY.	DESCRIPTION
1..	539 104808....4	PILLOW BLOCK	21..	510 408301....1	PEDAL, FOOT
2..	539 110808....2	LINK, DECK LIFT	22..	539 132182....1	PIN 1/2 x 1 1/2 DETENT RING
3..	539 118937....2	SPACER, IDLER	23..	539 991043...10	BUSHING .625
4..	539 131861....1	SPACER	24..	539 132851....1	GRIP
5..	581 215202....1	SHAFT, FRONT LIFT BLK	25..	539 115501....6	PIN, COTTER 1 3/4
6..	584 392702....2	REINFORCEMENT BAR	26..	874 780544....4	HCS 5/16-18 x 2 3/4
7..	539 131897....1	BELLCRANK, RR, LIFT BLK	27..	539 108181....2	HCS 1/2-13 x 1 3/4 GR 8
8..	539 131853....1	BELLCRANK, RR, RT BLK	28..	539 976941....4	HCS 3/8-16 X 1 1/4
9..	539 112223....2	LINKAGE, STRUT	29..	539 101175....4	HCS 7/16-14 x 1 1/2
10..	539 109693....4	LIFT CHAIN-3 LINK	30..	874 870648....1	HCS 3/8-16 x 3
11..	539 131566....1	LATCH, TRANSPORT	31..	539 990646....1	HCS 1/2-13 x 1 3/4
12..	539 105059....1	LANYARD	32..	539 108073....4	HCS 7/16-14 x 1 3/4
13..	539 131791....1	MOUNT, SPRING	33..	539 132019....8	NUT 7/16-14 HEX WHIZ LK
14..	539 132017....2	MOUNT, STRUT	34..	539 200282....2	NUT 3/8-16 HEX JAM NYLOC
15..	539 131792....1	TAB, SPRING	35..	873 800800....2	NUT 1/2-13 HEX FLG NYLOC
16..	539 112896....1	J-BOLT	36..	539 112899....5	NUT 5/16-18 HEX FLG NYLOC
17..	539 102642....1	SPRING	37..	539 976979....4	NUT 3/8-16 HEX NYLOC
18..	539 132734....1	SPRING, TORSION	38..	539 102582....8	NUT 7/16-14 HEX WHIZ LK
19..	539 131850....1	HEIGHT ADJUST, DECK	39..	539 102843....1	WASHER 7/16 SPRING
20..	539 131860....1	PIVOT LATCH, TRANSPORT	40..	539 109554....2	WASHER 1/2 FLT

MOWER DECK / CUTTING DECK

ITEM	PART NO.	QTY.	DESCRIPTION	ITEM	PART NO.	QTY.	DESCRIPTION
1..	581 505301....	1 DECK w/ SAFETY DECALS	27..	539 110736....	1 PIN, CLEVIS ⁵ / ₁₆
2..	522 811301....	1 BELT, DECK	28..	539 104763....	8 RETAINER, U TYPE ⁵ / ₁₆ -18
3..	539 112079....	3 BLADE, 18"	29..	874 780540....	2 HCS ⁵ / ₁₆ -18 x 2½ TPBLT
4..	539 112170....	3 HOUSING ASSY	30..	874 780648....	2 HCS ³ / ₈ -16 x 3
5..	539 103427....	1 BUSHING, PIVOT	31..	874 780516....	8 HCS ⁵ / ₁₆ -18 x 1
6..	539 112169....	2 BUSHING, IDLER	32..	539 103433....	1 HCS ½-13 x 3¼
7..	539 112198....	1 ARM, IDLER	33..	539 990582....	1 HCS ³ / ₈ -16 x 1 WHIZLK
8..	539 132728....	3 PULLEY, IDLER	34..	874 780616....	2 HCS ³ / ₈ -16 x 1
9..	532 173436....	3 PULLEY	35..	872 110505....	3 RHSNB ⁵ / ₁₆ -18 x ⁵ / ₈
10..	539 112242....	1 BELT SHIELD, RT ORG	36..	872 110508....	2 RHSNB ⁵ / ₁₆ -18 x 1
11..	539 112244....	1 BELT SHIELD, LT ORG	37..	532 193003....	3 BOLT ⁷ / ₁₆ BLADE
12..	584 859402....	2 PITCH, ADJUST, RT	38..	532 137644....	2 BOLT, SHOULDER
13..	584 859404....	2 PITCH, ADJUST, LT	39..	584 953901..	12 SCREW ⁵ / ₁₆ -18 WSH HD
14..	539 110733....	1 CHUTE, DISCHARGE	40..	873 800500....	3 NUT ⁵ / ₁₆ -18 HEX NYLOC
15..	539 112417....	1 PLATE, CONFINEMENT	41..	539 976979....	6 NUT ³ / ₈ -16 HEX NYLOC
16..	532 110485....	3 BEARING, BALL	42..	873 220500....	2 NUT ⁵ / ₁₆ -18 HEX
17..	532 187291....	1 SHAFT	43..	532 400234....	3 NUT ⁹ / ₁₆ TOP CENTER LOCK
18..	539 103256....	1 SPRING	44..	873 800800....	1 NUT ½-13 HEX FLG NYLOC
19..	539 110735....	1 SPRING, TORSION	45..	539 112899....	2 NUT ⁵ / ₁₆ -18 HEX FLG NYLOC
20..	532 176066....	1 ROLLER, NOSE	46..	539 102243....	1 WASHER, SUPPORT
21..	532 179127....	1 ROD, ROLLER, NOSE	47..	539 990550....	1 WASHER ½ STD FLT
22..	539 131859....	1 TRUNION, PITCH	48..	539 106504....	2 WASHER, HEAVY
23..	532 133957....	2 WHEEL, GAUGE	49..	819 121414....	10 WASHER ⁵ / ₁₆ STD FLT
24..	581 606002....	1 BRACKET ORG	50..	810 030500....	8 WASHER ⁵ / ₁₆ SLW
25..	539 976998....	1 ZERK	51..	819 141614....	2 WASHER ³ / ₈ STD FLT
26..	539 990365....	2 PIN, COTTER ¹ / ₈ x ³ / ₄	52..	532 187690....	3 WASHER-SPACER

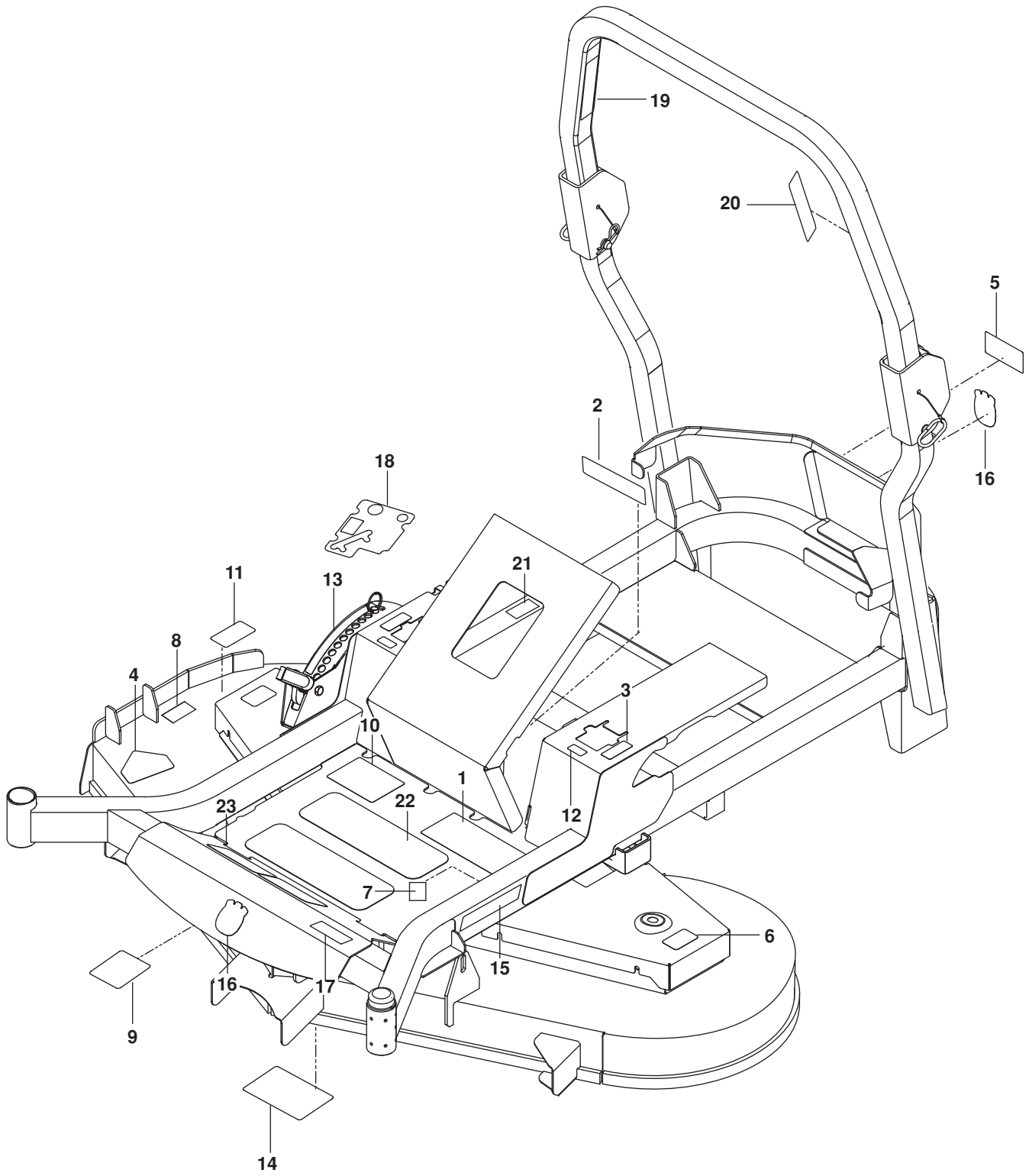
SEAT



SEAT

ITEM	PART NO.	QTY.	DESCRIPTION	ITEM	PART NO.	QTY.	DESCRIPTION
1..	539 130873....	1 SEAT ASSY	16..	539 990074....	1 RHSNB 1/4-40 x 3/4
2..	575 608601....	1 MOUNT, SEAT w/ DECAL	17..	539 990645....	3 RHSNB 3/8-16 x 1
3..	539 112037....	1 RAIL SET, SEAT	18..	539 109100....	2 RHSNB 5/16-18 x 3/4
4..	539 112036....	1 ARM REST, LT	19..	525 544001....	4 HHFS 5/16-18 x 1 1/4 TPBLT
	539 112035....	1 ARM REST, RT	20..	525 464701....	2 HHFS 5/16-18 x 3/4
5..	532 421062....	1 SWITCH, SEAT	21..	539 112034....	2 HCS 7/16-20 x 3/4
6..	539 130793....	1 DECK STOP	22..	539 130896....	2 BOLT 5/16-18 SHOULDER
7..	584 809102....	1 SUPPORT, SEAT	23..	539 990394....	2 NUT HEX 7/16 LOCK
8..	584 990102....	1 SUPPORT, LT	24..	521 996501....	1 NUT 3/8-16 HEX FLG NYLOC
9..	584 990202....	1 SUPPORT, RT	25..	539 112899....	8 NUT 5/16-18 HEX FLG NYLOC
10..	539 110300....	2 SPRING, SEAT	26..	539 976979....	2 NUT 3/8-16 HEX NYLOC
11..	539 104763....	8 RETAINER, U TYPE 5/16-18	27..	539 976978....	1 NUT 1/4-20 HEX NYLOC
12..	539 105974....	1 GROMMET RUBBER	28..	539 990717....	2 NUT 5/16-18 HEX NYLOC
13..	539 103247....	1 LANYARD, SEAT	29..	539 990598....	1 WASHER 1/4 FLAT
14..	584 916802....	1 MOUNT, SEAT BELT BLK	30..	539 990517....	4 WASHER 3/8 FLAT STD
15..	539 130359....	1 SEAT BELT ASSY				

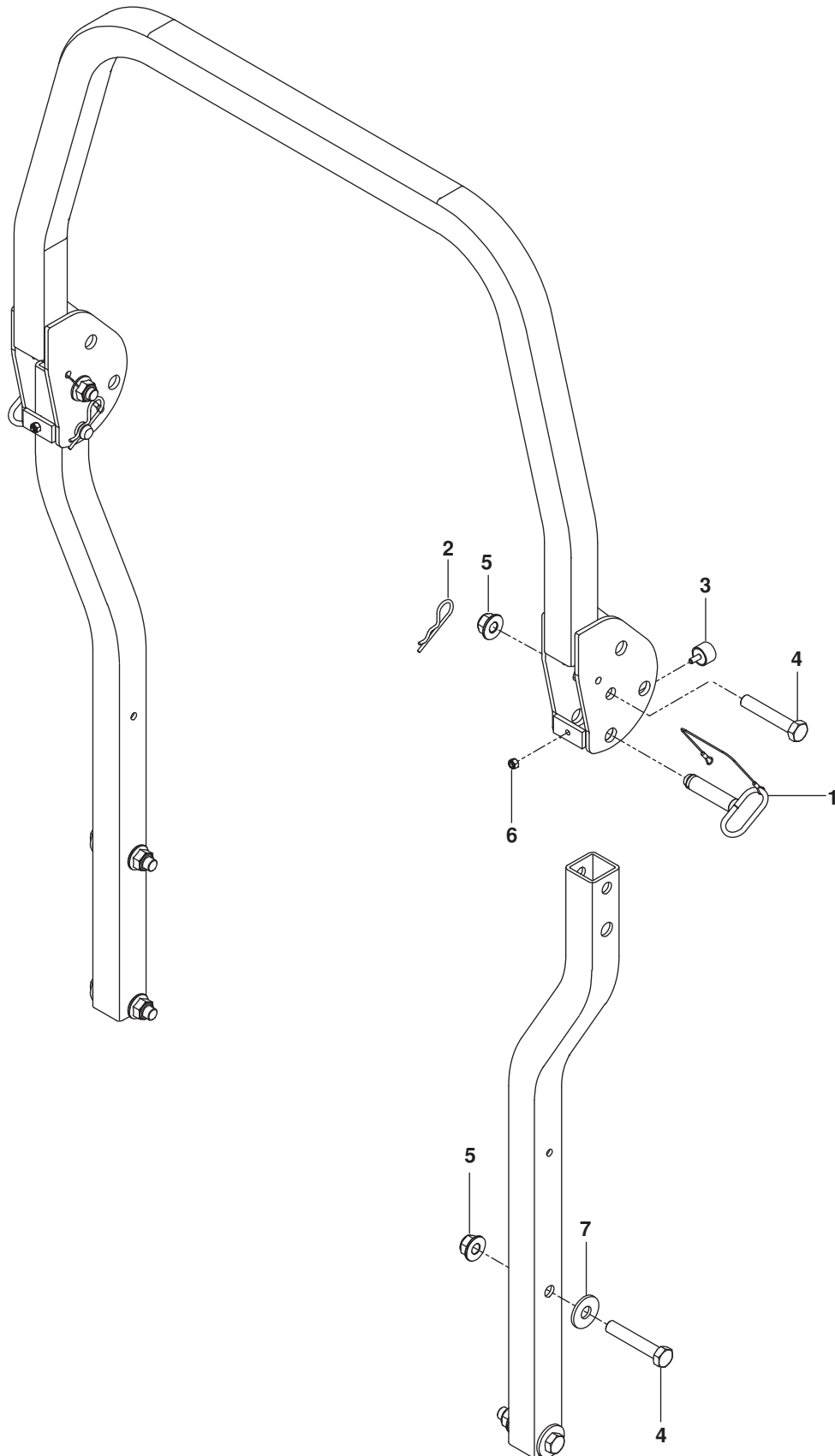
DECALS



DECALS

ITEM	PART NO.	QTY.	DESCRIPTION	ITEM	PART NO.	QTY.	DESCRIPTION
1..	539 107959....	1DECAL, WARNING	13..	539 132039....	1DECAL, HEIGHT ADJUST
2..	539 105745....	1DECAL, BATTERY WARNING	14..	539 132187....	1DECAL, SERVICE
3..	539 103333....	2DECAL, MOTION CONTROL	15..	532 429196....	2DECAL, HUSQVARNA
4..	539 913010....	1DECAL, BLADE WARNING	16..	532 428676....	2DECAL, CROWN H
5..	539 105744....	1DECAL, DANGER BLT DRIVE	17..	585 658901....	1DECAL, MZ52
6..	581 724301....	2DECAL, NO STEP	18..	574 841103....	1DECAL, CONSOLE
7..	581 724102....	1DECAL, 80 DBA	19..	574 569002....	1DECAL, ROPS, WARNING
8..	539 105746....	1DECAL, SEVERING	20..	574 569005....	1DECAL, ROPS
9..	539 112620....	1DECAL, BELT ROUTING	21..	539 110279....	1DECAL, ECM
10..	539 113213....	1DECAL, WARNING	22..	539 977778....	2PAD, ABRASIVE LG
11..	581 724401....	1DECAL, DEFLECTOR	23..	539 121322....	2PAD, ABRASIVE SM
12..	539 110974....	2DECAL, TRACKING				

PROTECTION FRAME

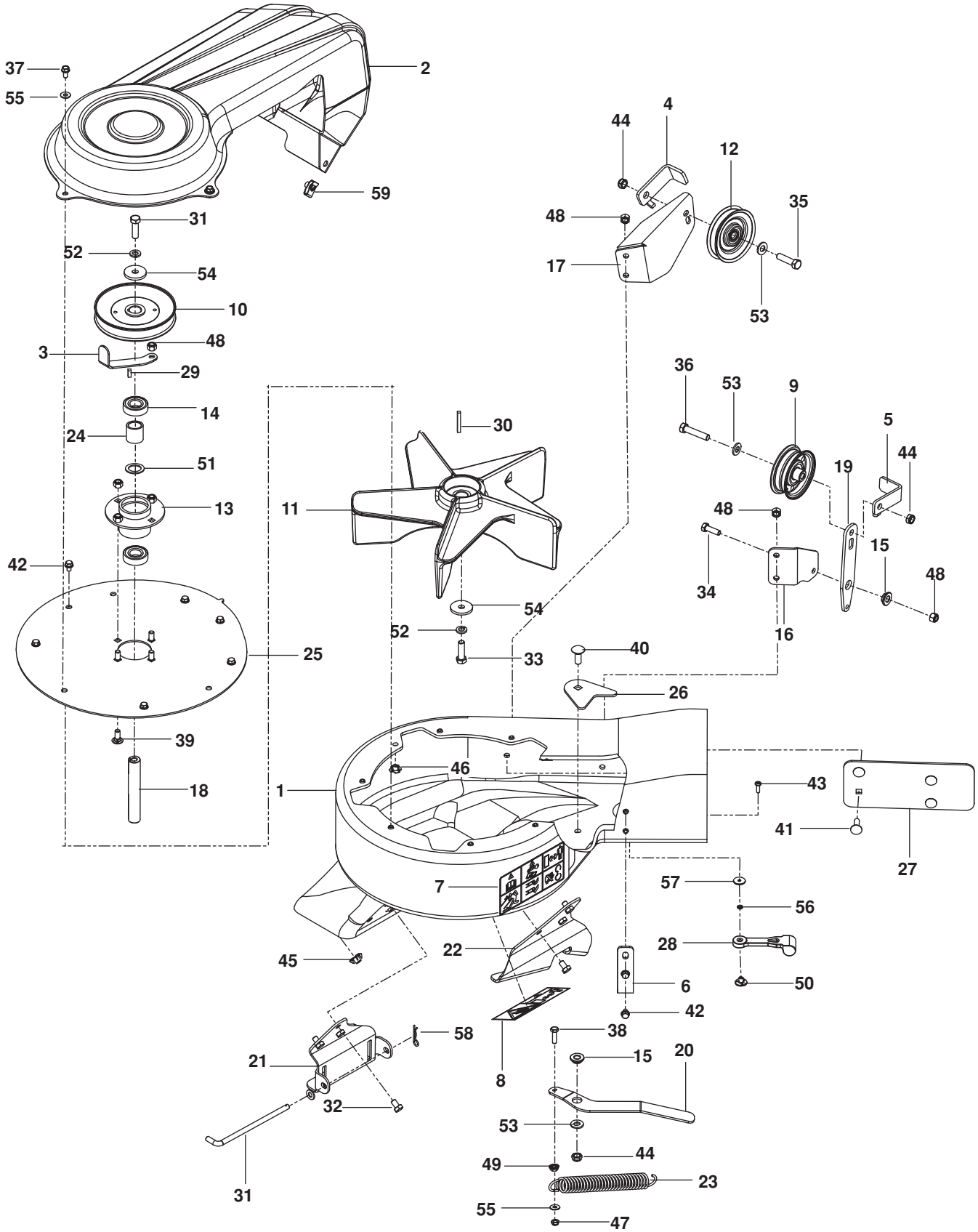


PROTECTION FRAME

ITEM	PART NO.	QTY.	DESCRIPTION	ITEM	PART NO.	QTY.	DESCRIPTION
1..	574 388001....2	PIN w/ CABLE	5..	525 829101....6	NUT $\frac{5}{8}$ -11 FLG NYLOC
2..	539 200715....2	HAIR PIN #210	6..	539 976978....2	NUT $\frac{1}{4}$ -20 HEX NYLOC
3..	522 801401....2	BUMPER, MALE STUD $\frac{1}{4}$ -20	7..	539 102653....4	WASHER $\frac{5}{8}$ STD FLAT
4..	580 754601....6	HCS $\frac{5}{8}$ -11 x 3 $\frac{1}{2}$				

ACCESSORIES

Blower

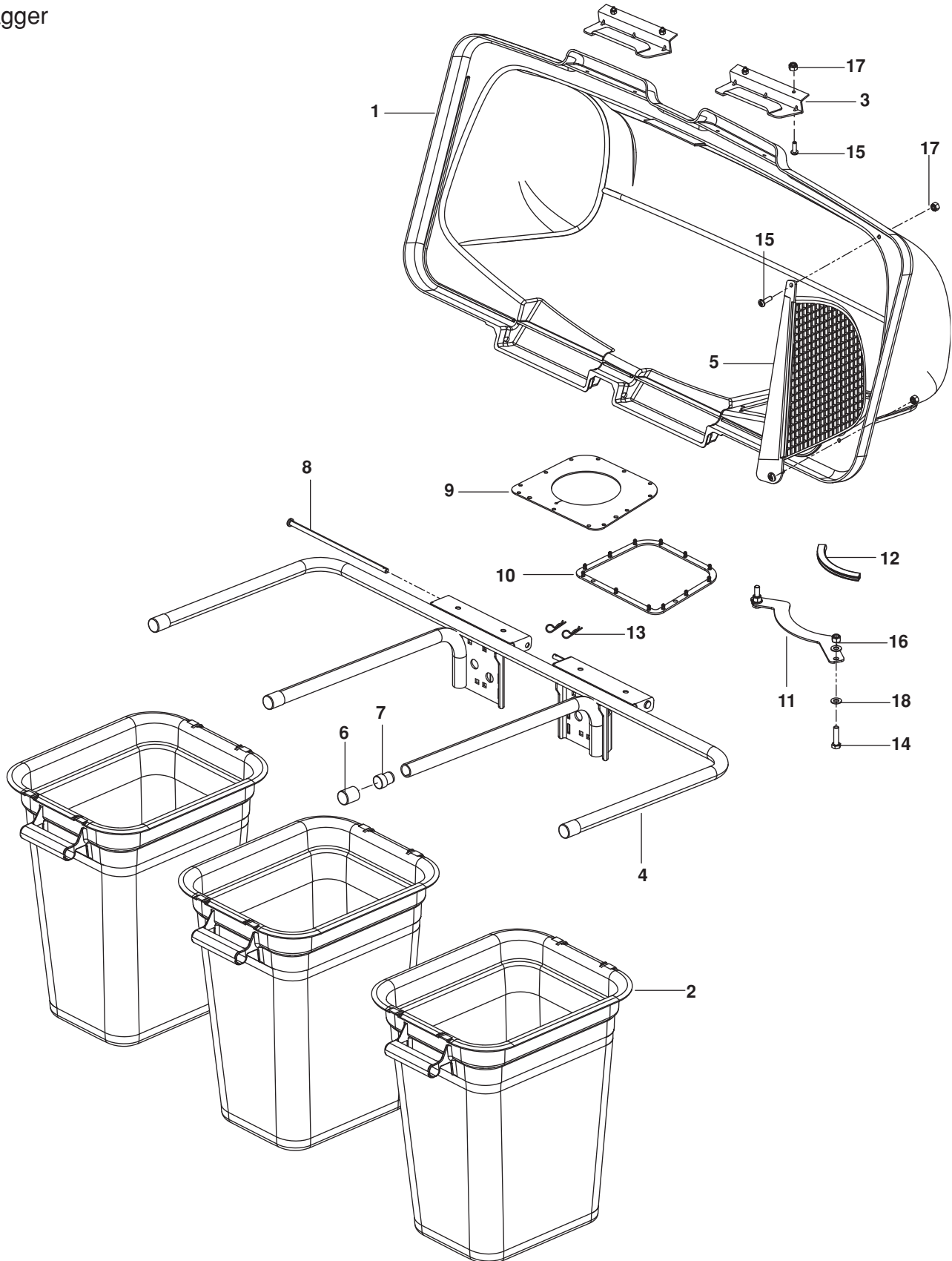


ACCESSORIES

ITEM PART NO.	QTY.	DESCRIPTION	ITEM PART NO.	QTY.	DESCRIPTION
1.. 539 130344....1	HOUSING w/ DECALS	31.. 539 130317....1	PIN
2.. 539 130293....1	COVER, BELT	32.. 874 780508....6	HCS $\frac{5}{16}$ -18 x $\frac{1}{2}$
3.. 539 131085....1	KEEPER, BELT OUTER	33.. 539 110321....2	HCS $\frac{3}{8}$ -24 x $1\frac{1}{4}$ Gr 8
4.. 579 137702....1	KEEPER	34.. 874 780516....1	HCS $\frac{5}{16}$ -18 x 1
5.. 579 137602....1	KEEPER	35.. 874 780624....1	HCS $\frac{3}{8}$ -16 x $1\frac{1}{2}$
6.. 539 130346....1	KEEPER, BELT REAR	36.. 539 976949....1	HCS $\frac{3}{8}$ -16 x $1\frac{3}{4}$
7.. 539 105785....1	DECAL, WARNING	37.. 817 490408....3	HCS $\frac{1}{4}$ -20 x $\frac{1}{2}$
8.. 539 106741....1	DECAL, SEVERING	38.. 874 780414....1	HCS $\frac{1}{4}$ -20 x $\frac{7}{8}$
9.. 579 150802....1	PULLEY, IDLER	39.. 872 140506....4	RHSNB $\frac{5}{16}$ -18 x $\frac{3}{4}$
10.. 539 130324....1	PULLEY	40.. 872 140608....1	RHSNB $\frac{3}{8}$ -16 x 1
11.. 539 130292....1	IMPELLER	41.. 872 140508....4	RHSNB $\frac{5}{16}$ -18 x 1
12.. 539 113683....1	V-IDLER	42.. 539 990302....8	SCREW $\frac{1}{4}$ x $\frac{3}{8}$ THD FRM
13.. 539 130295....1	HUB, BEARING	43.. 539 976952....1	SCREW #10-24 x $\frac{5}{8}$
14.. 539 130296....2	BEARING	44.. 539 200282....3	NUT $\frac{3}{8}$ -16 HEX JAM NYLOC
15.. 539 130301....2	BUSHING	45.. 539 130313....6	NUT $\frac{5}{16}$ -18 TEE
16.. 579 137402....1	MOUNT, IDLER, UPPER	46.. 539 130314..11	NUT $\frac{1}{4}$ -20 TEE
17.. 579 137502....1	MOUNT, IDLER, LOWER	47.. 539 108120....1	NUT $\frac{1}{4}$ -20 HEX THIN NYLOC
18.. 539 130316....1	SHAFT, IMPELLER	48.. 873 800500....9	NUT $\frac{5}{16}$ -18 HEX NYLOC
19.. 579 137302....1	ARM, IDLER	49.. 539 108735....1	NUT $\frac{1}{4}$ -20 HEX FLG
20.. 539 130338....1	ARM, TENSION	50.. 539 108089....1	WELD NUT, PLATED
21.. 539 130339....1	BRACKET, MOUNT, FRONT	51.. 539 910935....1	WASHER
22.. 539 130340....1	BRACKET, MOUNT, REAR	52.. 810 030600....2	WASHER $\frac{3}{8}$ SLW
23.. 539 101977....1	TRACTION SPRING	53.. 819 131316....3	WASHER $\frac{3}{8}$ SAE FLT
24.. 539 130323....1	SPACER	54.. 539 110323....2	WASHER, HARDENED
25.. 539 130341....1	PLATE, OUTER	55.. 539 990055....4	WASHER $\frac{1}{4}$ SAE FLT
26.. 539 132124....1	PLATE, BACKING	56.. 539 109552....2	WASHER $\frac{3}{16}$ LOCK
27.. 539 132122....1	PLATE, BACKING	57.. 539 108084....2	WASHER $\frac{3}{16}$ x $\frac{3}{4}$ x 16 GA
28.. 539 108088....1	LATCH, HOOD	58.. 539 976988....1	HAIRPIN
29.. 539 115667....1	KEY $\frac{3}{16}$ x $\frac{1}{2}$	59.. 539 104763....1	RETAINER, U TYPE $\frac{5}{16}$ -18
30.. 539 125229....1	KEY $\frac{3}{16}$ x $1\frac{1}{2}$			

ACCESSORIES

Bagger

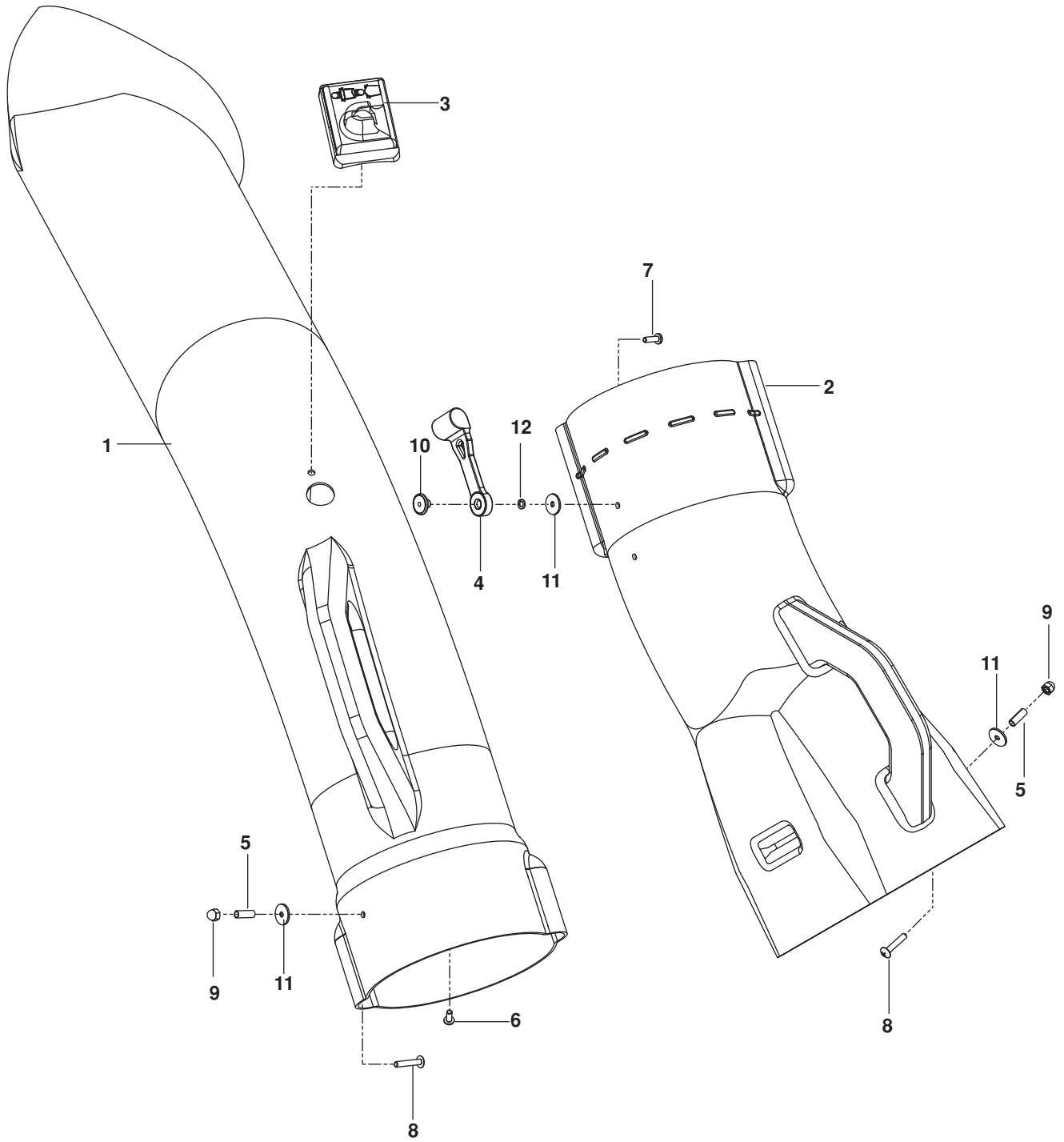


ACCESSORIES

ITEM	PART NO.	QTY.	DESCRIPTION	ITEM	PART NO.	QTY.	DESCRIPTION
1..	532 195373....	1	COVER	10..	532 192603....	1	GASKET, COVER
2..	532 400226....	3	CONTAINER, SOFT BAG	11..	539 110281....	1	SUPPORT, CHUTE
3..	532 130895....	2	HANDLE, BAGGER COVER	12..	539 112294....	1	FLEX TRIM
4..	539 108098....	1	FRAME, BAGGER	13..	539 108096....	2	HAIR PIN
5..	532 192709....	1	SCREEN, COVER	14..	874 780520....	2	HCS $\frac{5}{16}$ -18 x $1\frac{1}{4}$
6..	539 108097....	4	PLUG, TUBING END	15..	539 976952....	6	SCREW #10-24 x $\frac{5}{8}$
7..	522 801301....	2	PLUG, SPACER	16..	539 112899....	2	NUT $\frac{5}{16}$ -18 HEX FLG NYLOC
8..	532 192786....	2	PIN, HINGE	17..	539 976977....	6	NUT #10-24 NYLOC
9..	532 192550....	1	SEAL, COVER	18..	819 111116....	4	WASHER $\frac{5}{16}$ SAE FLT

ACCESSORIES

Chutes

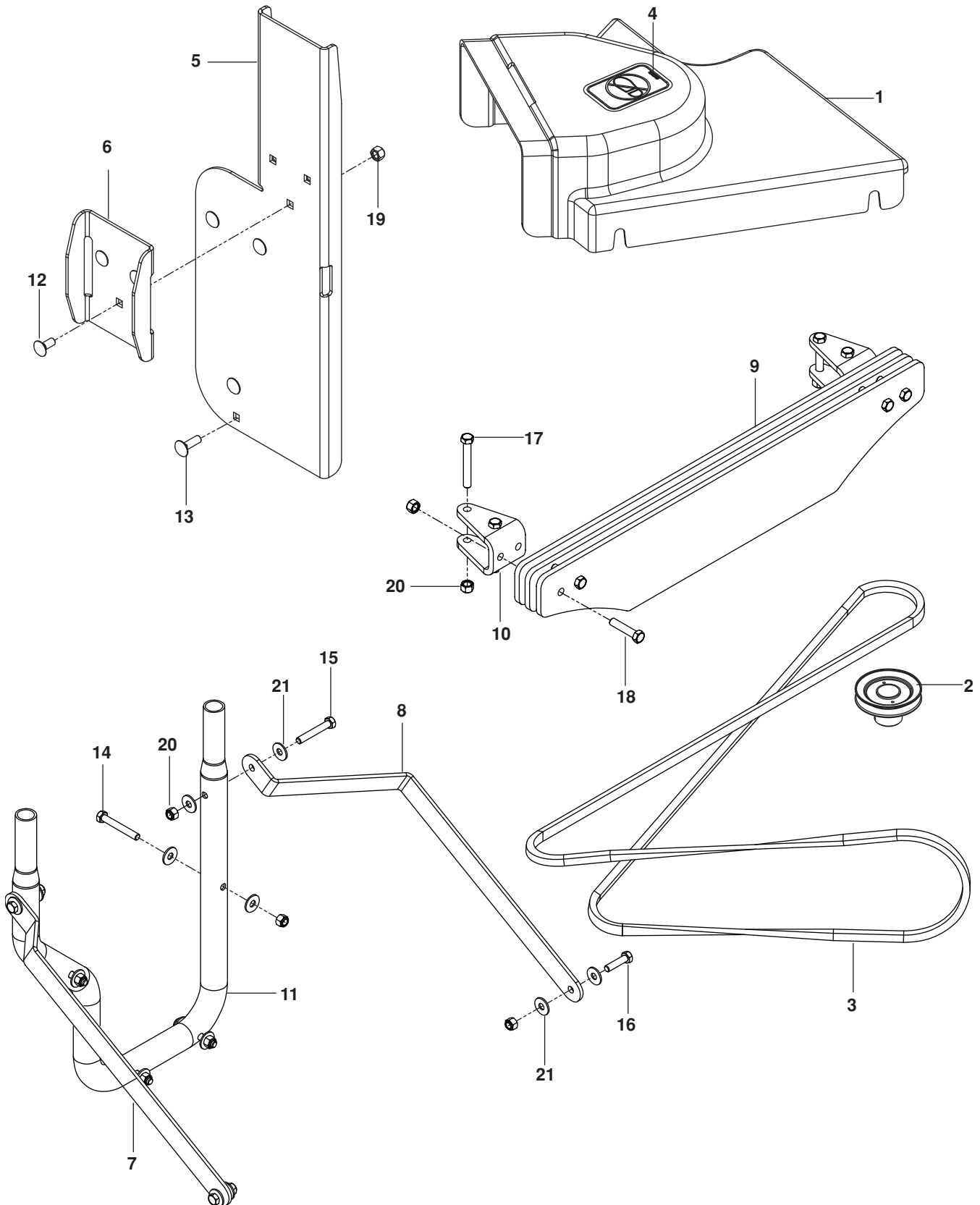


ACCESSORIES

ITEM	PART NO.	QTY.	DESCRIPTION	ITEM	PART NO.	QTY.	DESCRIPTION
1..	539 108141....	1CHUTE, UPPER	7..	539 976952....	1 SCREW #10-24 x 5/8
2..	539 130294....	1CHUTE, MIDDLE	8..	539 108083....	2 SCREW #10-24 x 1 1/8
3..	539 108082....	1INDICATOR, BAG DUMP	9..	539 108086....	2 NUT #10-24 ACORN
4..	539 108088....	1LATCH, HOOD	10..	539 108089....	1WELD NUT, PLATED
5..	539 108085....	2SPACER, SPLIT	11..	539 108084....	3 WASHER 3/16 x 3/4 x 16 GA
6..	539 108081....	1SCREW #10-14 x 1/2	12..	539 109552....	2 WASHER 3/16 LOCK

ACCESSORIES

Guard, Mount and Belt



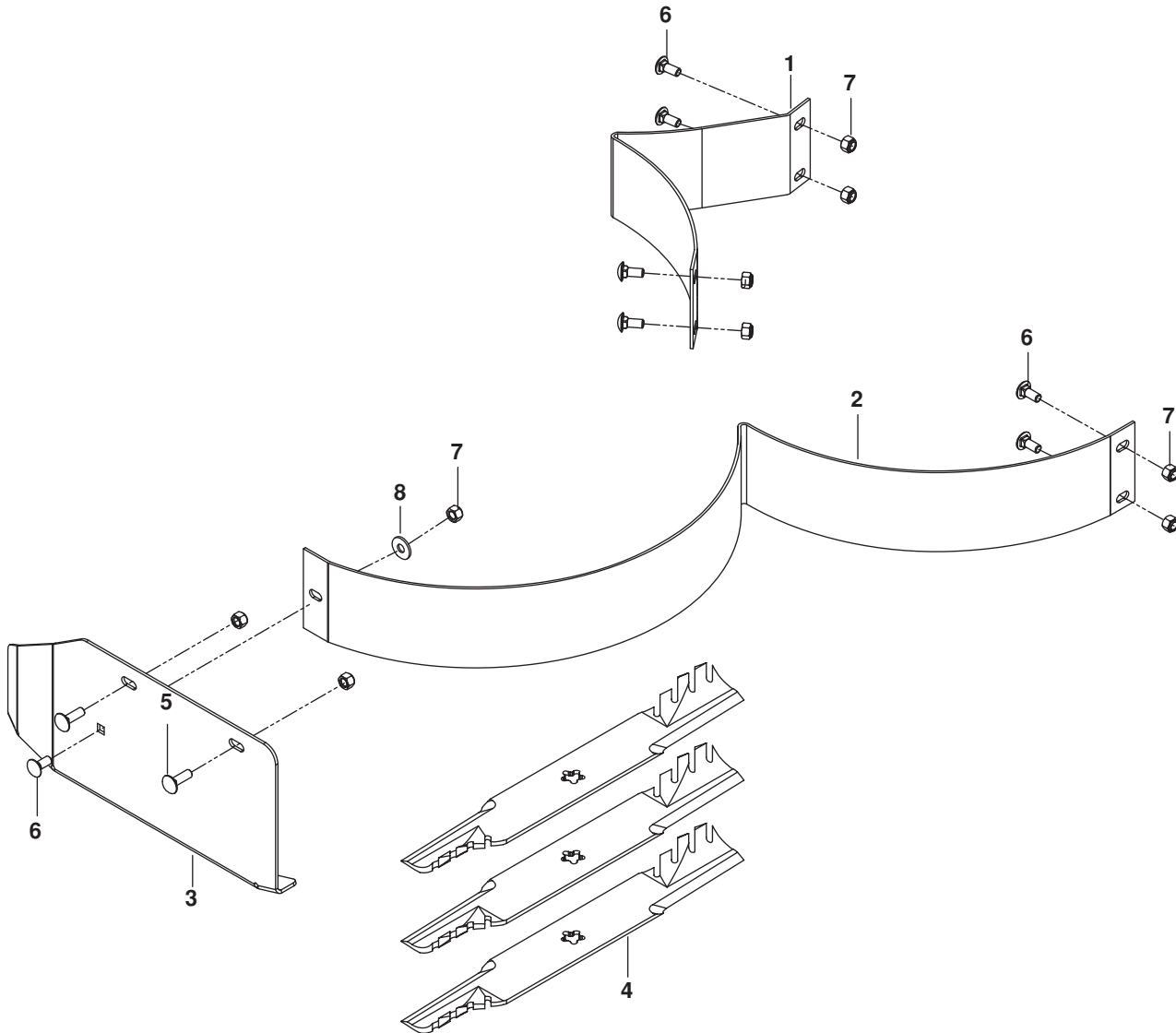
ACCESSORIES

ITEM	PART NO.	QTY.	DESCRIPTION
1..	539 130307....	1	SHIELD, BELT, 52"
2..	539 130320....	1	PULLEY, 52"
3..	539 130347....	1	BELT, 52"
4..	539 105743....	1	DECAL, NO STEP
5..	539 130342....	1	PLATE, MOUNT
6..	539 130343....	1	PLATE, BACKING
7..	539 131089 ...	1	STRAP, RT
8..	539 131090 ...	1	STRAP, LT
9..	539 113232....	3	WEIGHT PLATE
10..	539 113203....	2	WEIGHT BRACKET
11..	539 131091 ...	1	TUBE, MOUNT

ITEM	PART NO.	QTY.	DESCRIPTION
12..	872 140506....	3	RHSNB $5/16$ -18 x $3/4$
13..	872 140508....	4	RHSNB $5/16$ -18 x 1
14..	539 102612....	4	HCS $3/8$ -16 x $2\ 3/4$
15..	539 976949....	4	HCS $3/8$ -16 x $1\ 3/4$
16..	539 976937 ...	2	HCS $5/16$ -18 X 2
17..	539 976938 ...	4	HCS $5/16$ -18 X $2\ 1/4$
18..	874 780520 ...	2	HCS $5/16$ -18 X $1\ 1/4$
19..	873 800500..	11	NUT $5/16$ -18 HEX NYLOC
20..	539 976979....	8	NUT $3/8$ -16 HEX NYLOC
21..	819 121414 .	16	WASHER $5/16$ STD FLT

ACCESSORIES

Mulch Kit



ACCESSORIES

ITEM	PART NO.	QTY.	DESCRIPTION
1..	539 112421....	1	BAFFLE, LEFT
2..	539 112435....	1	BAFFLE, RIGHT
3..	539 112344....	1	MULCH CAP
4..	521 981501....	3	BLADE, 18" GATOR

ITEM	PART NO.	QTY.	DESCRIPTION
5..	872 140508....	2	RHSNB $\frac{5}{16}$ -18 x 1
6..	872 140506....	7	RHSNB $\frac{5}{16}$ -18 x $\frac{3}{4}$
7..	873 800500....	9	NUT $\frac{5}{16}$ -18 HEX NYLOC
8..	819 121414....	1	WASHER $\frac{5}{16}$ STD FLT

