

Gasoline containing up to 10% ethanol (E10) is acceptable for use in this machine. The use of any gasoline exceeding 10% ethanol (E10) will void the product warranty.

Parts Manual

RZ4221TF / 967036502



Please read the operator manual carefully and make sure you understand the instructions before using the machine.

When you need spare parts or support in service questions, warranty issues, etc., please consult the following professional:

This Parts Manual belongs to the machine with the manufacturing number:	Engine	Transmission

Manufacturing Number

The machine's manufacturing number can be found on the printed plate affixed to the engine compartment.

Stated on the plate, from the top are:

- The machine's type designation (I.D.).
- The manufacturer's type number (Model).
- The machine's serial number (Serial no.)

Please have the type designation and serial number available when ordering spare parts.

The engine's manufacturing number is stamped on one of the valve covers.

The plate states:

- The engine's model.
- The engine's type.
- Code

Please have these available when ordering spare parts.

The wheel motors and hydrostatic pumps have a barcode decal affixed at the rear.

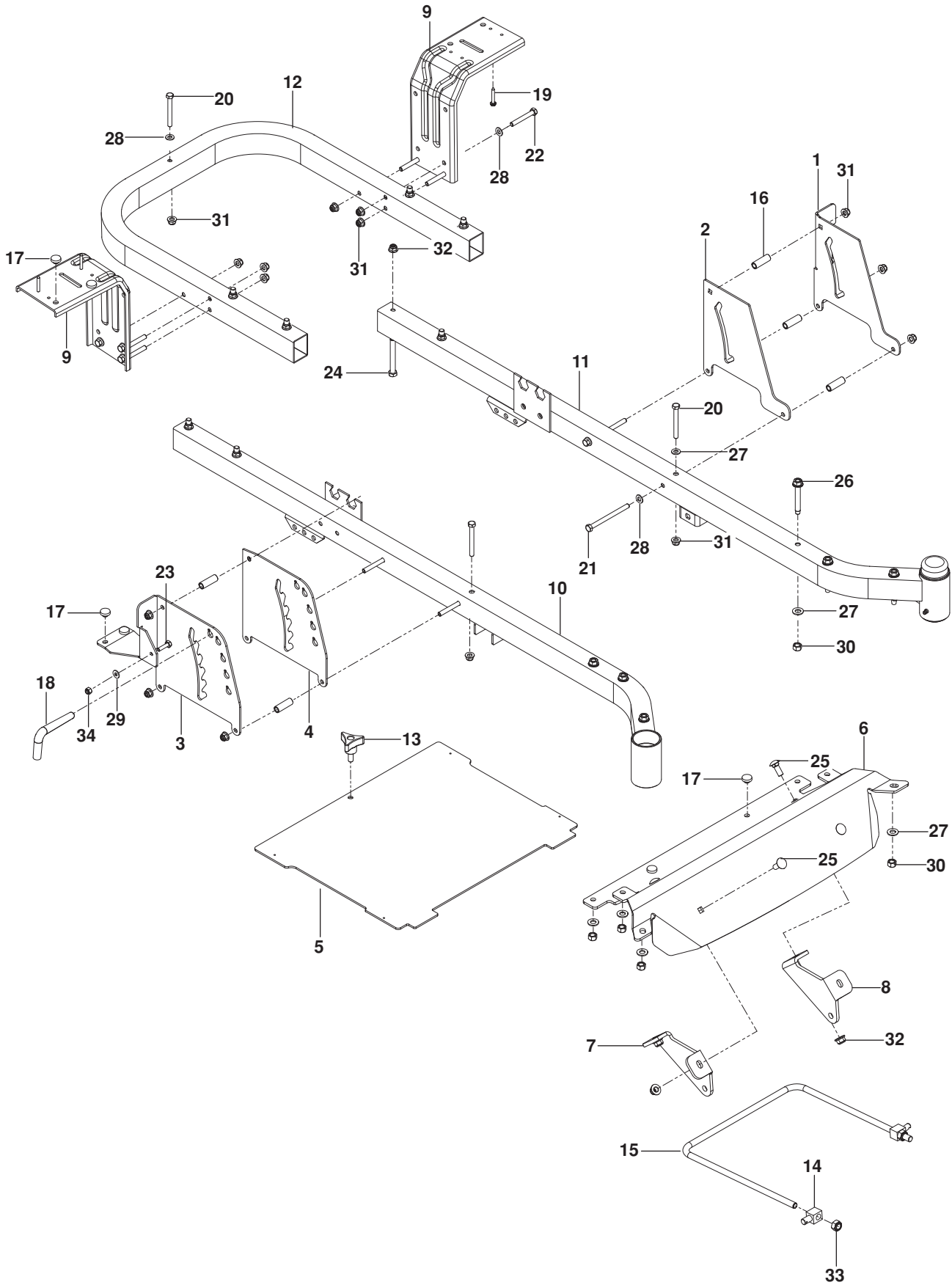
Accessories Available	
Collection System -----	966 792701
Mulch Kit -----	966 412901

CONTENTS

FRAME.....	4
ENGINE PLATE.....	6
STEERING	8
IGNITION.....	10
BRAKE / LIFT.....	12
HYDRAULIC PUMP / MOTOR.....	14
WHEELS AND TIRES.....	16
MOWER DECK / CUTTING DECK.....	18
SEAT	20
DECALS.....	22
ACCESSORIES	
BLOWER.....	24
BAGGER.....	26
CHUTES.....	28
GUARDS, MOUNTS AND BELT	30
MULCH KIT.....	32

NOTE: ALL FASTENERS ARE GRADE 5 UNLESS OTHERWISE SPECIFIED.

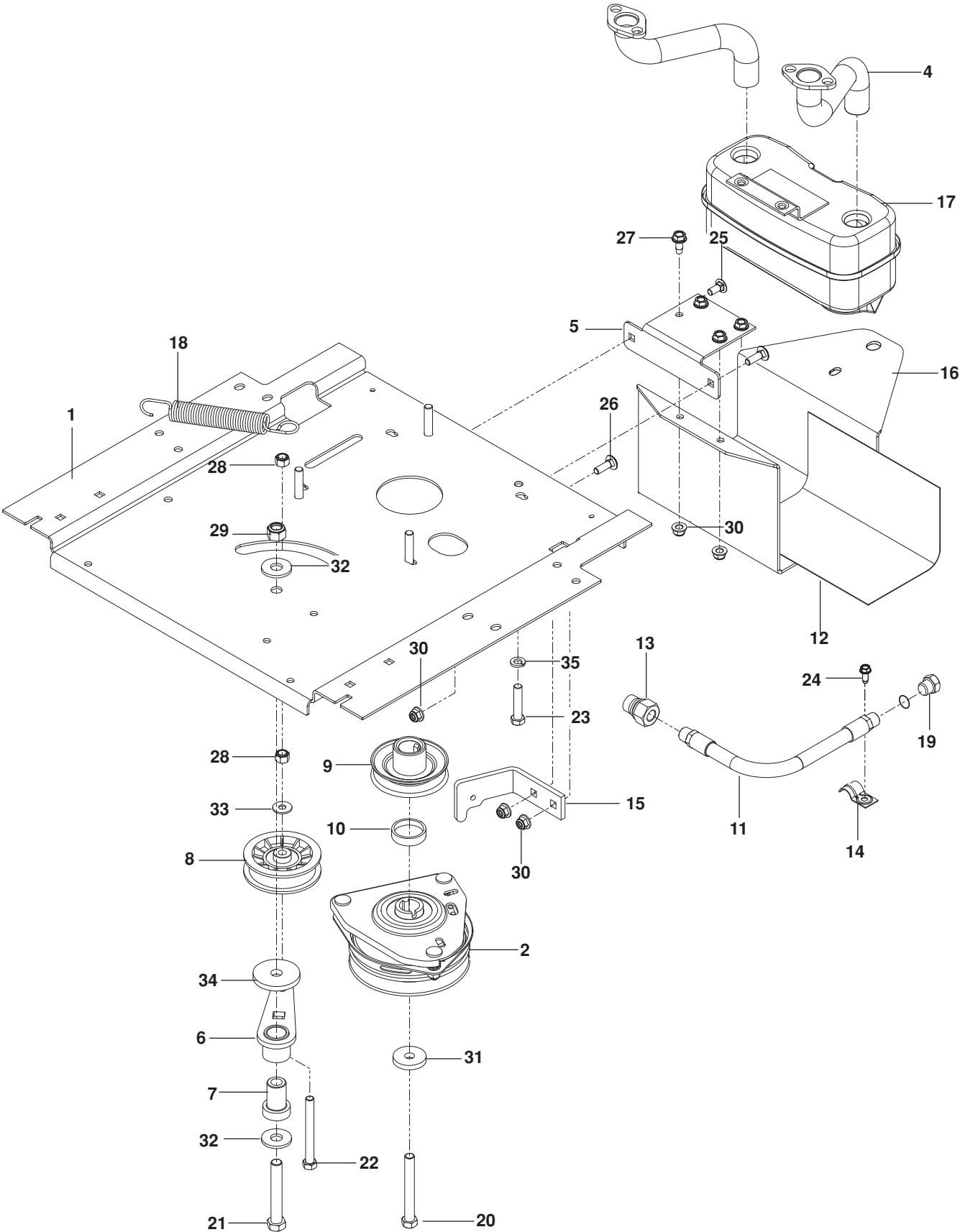
FRAME



FRAME

ITEM	PART NO.	QTY.	DESCRIPTION	ITEM	PART NO.	QTY.	DESCRIPTION
1..	510 261802....	1....	PLATE, OUTER BRAKE BLK	18..	510 016503....	1....	LIFT PIN
2..	510 206703....	1....	PLATE, BRAKE LATCH BLK	19..	539 110674....	4....	SCREW 10-12 x 1¼ HEX WSH
3..	580 528002....	1....	PLATE, LIFT OUTER BLK	20..	874 780544....	3....	HCS 5/16-18 x 2¾
4..	510 240502....	1....	PLATE, LIFT INNER BLK	21..	874 780564....	4....	HCS 5/16-18 x 4
5..	522 842902....	1....	FOOT PLATE w/ SFTY DECLS	22..	874 780536....	6....	HCS 5/16-18 x 2¼
6..	522 719506....	1....	FOOT REST ORG	23..	874 780416....	2....	HCS ¼-20 x 1
7..	581 222802....	1....	MOUNT, STRUT RT BLK	24..	874 780648....	8....	HCS 3/8-16 x 3
8..	581 222902....	1....	MOUNT, STRUT LT BLK	25..	872 141608....	4....	RHSNB 3/8-16 x 1
9..	580 501302....	2....	SUPPORT, FENDER BLK	26..	817 490642....	6....	BOLT 3/8-16 x 25/8 THD FRM
10..	510 177503....	1....	FRAME, FRONT RT ORG	27..	819 141614....	6....	WASHER 3/8 STD FLT
11..	510 177403....	1....	FRAME, FRONT LT ORG	28..	819 111116..	13....	WASHER 5/16 SAE FLT
12..	510 177603....	1....	FRAME, REAR TUBE ORG	29..	819 091016....	2....	WASHER ¼ FLAT SAE ZD
13..	539 104411....	1....	KNOB w/ STUD	30..	539 200282....	6....	NUT 3/8-16 HEX JAM NYLOC
14..	581 514301....	2....	SWIVEL	31..	539 112899..	15....	NUT 5/16-18 HEX FLG NYLOC
15..	521 938101....	1....	LINK, FRONT SUSPENSION	32..	521 996501....	8....	NUT 3/8-16 HEX FLG NYLOC
16..	580 486101....	6....	SPACER ½ OD x 1½	33..	539 119124....	2....	NUT 7/16-14 HEX NYLOC
17..	539 102587....	6....	GROMMET, BUMPER	34..	873 800400....	2....	NUT ¼-20 HEX NYLOC

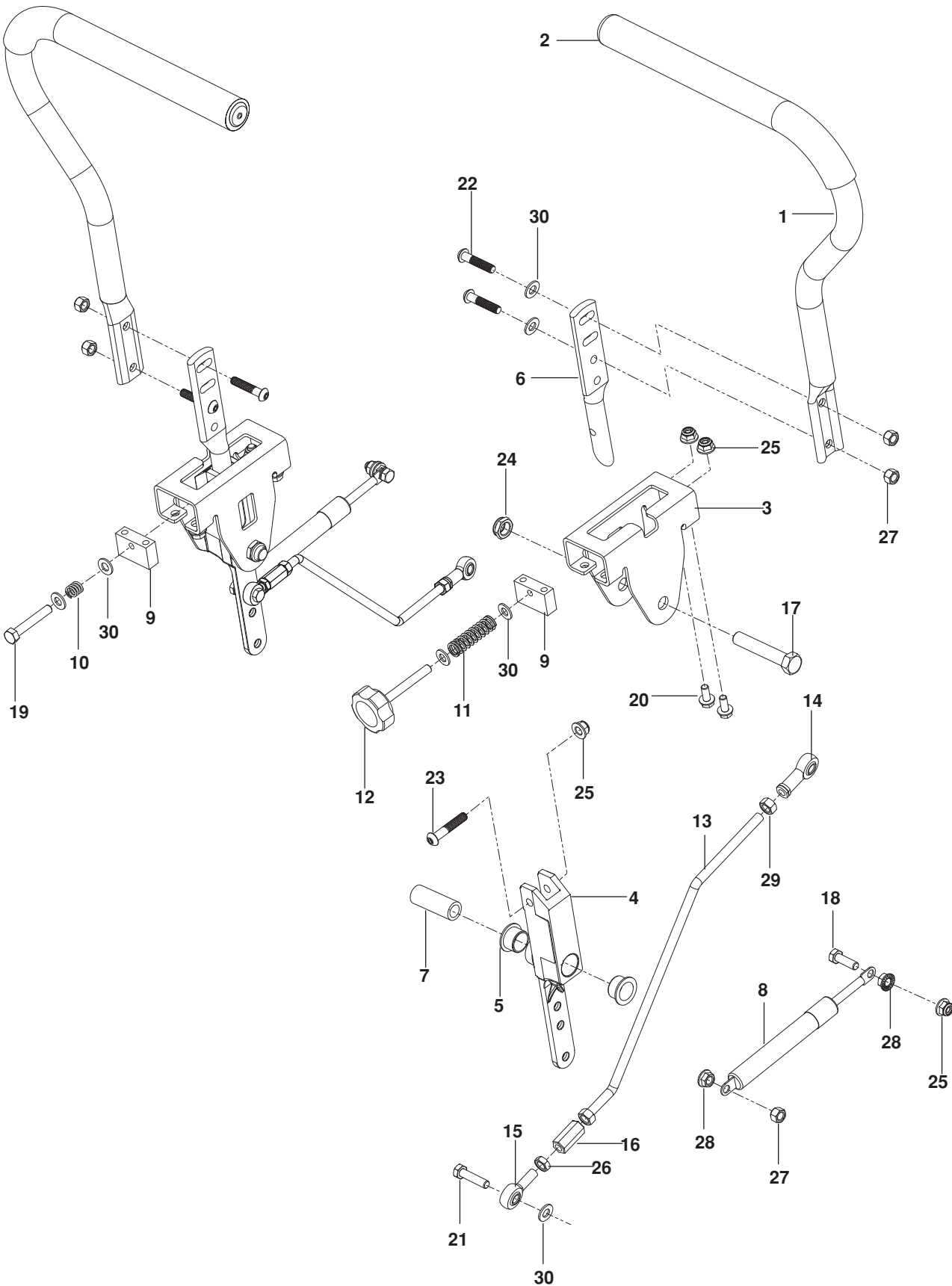
ENGINE PLATE



ENGINE PLATE

ITEM	PART NO.	QTY.	DESCRIPTION	ITEM	PART NO.	QTY.	DESCRIPTION
1..	532 448161....	1....	PLATE, ENGINE BLK	20..	581 332803....	1....	HCS 7/16-20 x 2 1/2
2..	532 400008....	1....	CLUTCH	21..	874 780852....	1....	HCS 1/2-13 x 3 1/4
3..	583 955701....	1....	TUBE, EXHAUST RT	22..	874 520656....	1....	HCS 3/8-16 x 3 1/2
4..	583 955601....	1....	TUBE, EXHAUST LT	23..	539 976949....	4....	HCS 3/8-16 x 1 3/4
5..	510 260402....	1....	BRACKET, MUFFLER BLK	24..	817 490410....	1....	SCREW 1/4-20 x 5/8 THD FRM
6..	532 448145....	1....	ARM, IDLER	25..	872 140508....	2....	RHSNB 5/16-18 x 3/4
7..	539 101231....	1....	SPINDLE, IDLER	26..	872 140506....	2....	RHSNB 5/16-18 x 1
8..	539 110311....	1....	PULLEY, IDLER	27..	817 490512....	4....	BOLT 5/16-18 x 3/4 THD FRM
9..	539 114530....	1....	PULLEY, ENGINE	28..	539 976979....	2....	NUT 3/8-16 HEX NYLOC
10..	577 094601....	1....	SPACER	29..	873 800800....	1....	NUT 1/2-13 HEX NYLOC
11..	584 825501....	1....	HOSE, DRAIN	30..	539 112899....	5....	NUT 5/16-18 HEX FLG NYLOC
12..	539 132859....	1....	SHIELD, MUFFLER	31..	532 126197....	1....	WASHER, CLUTCH
13..	522 599001....	1....	ADAPTER, OIL DRAIN	32..	819 182212....	2....	WASHER 1/2 FLT
14..	539 101363....	1....	CLAMP	33..	819 121414....	2....	WASHER 5/16 STD FLT
15..	522 442506....	1....	STOP, CLUTCH BLK	34..	539 112670....	1....	WASHER, HEAVY
16..	584 989802....	1....	GUARD, MUFFLER BLK	35..	810 030600....	4....	WASHER 3/8 SPLT LK
17..	539 131604....	1....	MUFFLER ASSY	NOT SHOWN			
18..	532 196105....	1....	SPRING, DECK DRIVE		522 598601 ...	1....	PIGTAIL
19..	585 807101....	1....	PLUG, HOSE				

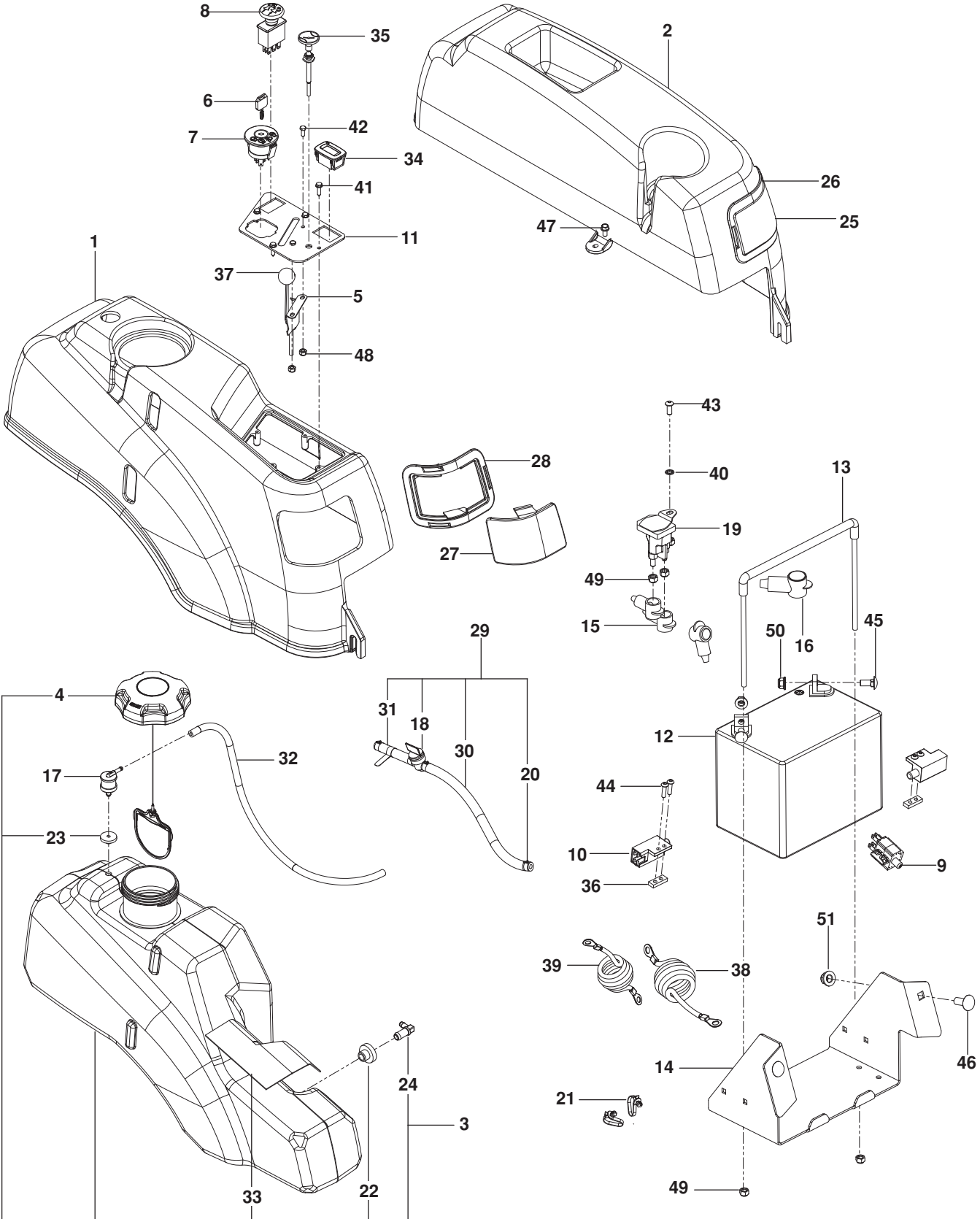
STEERING



STEERING

ITEM	PART NO.	QTY.	DESCRIPTION	ITEM	PART NO.	QTY.	DESCRIPTION
1..	581 826701....	2....	LEVER w/ GRIP	16..	539 116689....	2....	COUPLER, ROD END
2..	525 392901....	2....	GRIP, FOAM	17..	874 780844....	2....	HCS 1/2-13 x 2 3/4
3..	577 251701....	2....	BRACKET, CONTROL	18..	874 780516....	2....	HCS 5/16-18 x 1
4..	539 131518....	4....	BEARING, FLANGE	19..	874 780524....	1....	HCS 5/16-18 x 1 1/2
5..	576 140301....	2....	LEVER, CONTROL	20..	874 490512....	8....	HHFS 5/16-18 X 3/4
6..	577 420001....	2....	LEVER, HANDLE	21..	874 780528....	2....	HCS 5/16-18 x 1 3/4 TPBLT
7..	577 252401....	2....	SPACER, PIVOT CONTROL	22..	578 296402....	4....	SCREW 5/16-18 X 1 1/2 BTN HD
8..	539 102720....	2....	DAMPENER	23..	576 850402....	2....	SCREW 5/16-18 X 1 3/4 BTN HD
9..	581 437501 ...	2....	BLOCK, TRACKING	24..	539 108010....	2....	NUT 1/2-13 HEX JAM NYL GR2
10..	539 102845....	1....	SPRING	25..	539 112899..	10....	NUT 5/16-18 HEX FLG NYLOC
11..	576 850301....	1....	SPRING	26..	539 991073....	2....	NUT 5/16-24 HEX JAM LH
12..	539 131799....	1....	KNOB	27..	873 800500....	6....	NUT 5/16-18 HEX NYLOC
13..	580 624201....	2....	ROD, MOTION CONTROL	28..	539 990585....	4....	NUT 5/16-18 HEX WHIZLK
14..	539 115729....	2....	ROD END RH	29..	539 990223....	4....	NUT 5/16-24 HEX
15..	539 116690....	2....	ROD END MALE LH	30..	819 111116..	11....	WASHER 5/16 SAE FLT

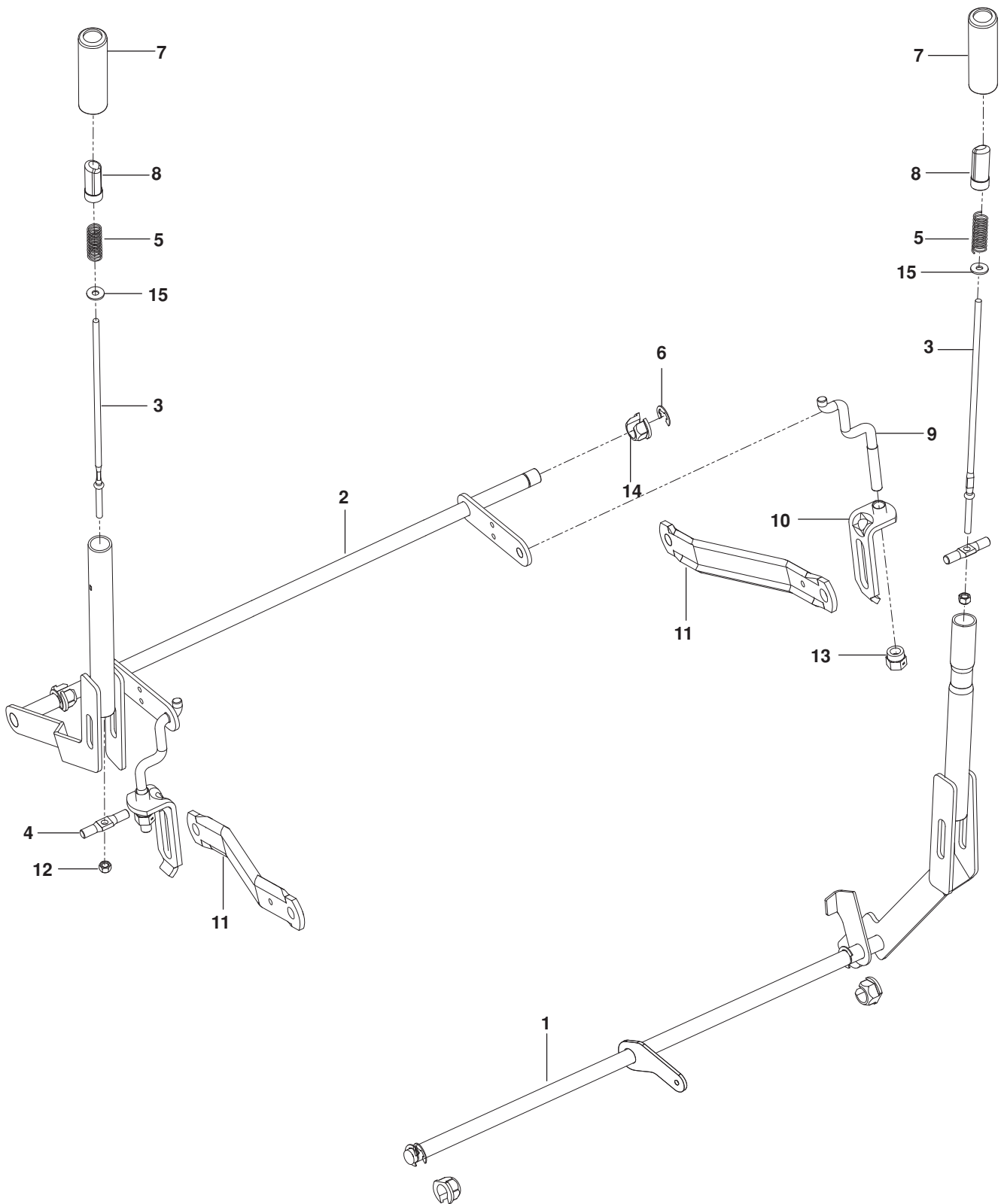
IGNITION



IGNITION

ITEM	PART NO.	QTY.	DESCRIPTION	ITEM	PART NO.	QTY.	DESCRIPTION
1..	578 178901....	1....	FENDER, RT GRY	29..	576 660702 ...	1....	FUEL LINE ASSY
2..	539 130374....	1....	FENDER, LT GRY	30..	539 932956....	1....	FUEL LINE 10"
3..	578 180601....	1....	TANK ASSY, FUEL	31..	539 104993....	1....	FUEL LINE 14"
4..	575 018101....	1....	CAP, FUEL w/ TETHER	32..	576 660602....	1....	HOSE 3/16" VAPOR 48"
5..	539 112734....	1....	CABLE, THROTTLE	33..	522 559101....	1....	SHIELD, HEAT
6..	532 140401....	1....	KEY, IGNITION	34..	586 161801....	1....	METER, SERVICE
7..	539 107541....	1....	SWITCH, IGNITION	35..	539 112439....	1....	CONTROL, CHOKE
8..	532 174652....	1....	SWITCH, CLUTCH	36..	539 102678....	2....	PLATE, TAPPED
9..	539 113792....	1....	SWITCH, BRAKE	37..	539 133049....	1....	KNOB
10..	532 109553....	2....	SWITCH, NC	38..	539 103306....	1....	CABLE, POSITIVE RED
11..	539 112735....	1....	PANEL, CONTROL	39..	539 110068....	1....	CABLE, NEGATIVE BLK
12..	539 102436....	1....	BATTERY	40..	539 990053....	1....	WASHER 1/4 ITLW
13..	539 131209....	1....	TIE DOWN, BATTERY	41..	539 110673....	2....	SCREW 10-24 x 3/4 WSH HD
14..	510 231302....	1....	BOX, BATTERY BLK	42..	539 990411....	2....	SCREW 10-24 x 1/2 HEX HD
15..	532 131563....	3....	TERMINAL COVER	43..	539 111229....	1....	SCREW 1/4-20 x 5/8 BTN SKT
16..	539 102759....	1....	INSULATOR	44..	574 822701....	4....	SCREW 10-24 x 3/4 SKT HD
17..	576 618101....	1....	VALVE, FUEL CHECK	45..	872 140506....	2....	RHSNB 5/16-18 x 3/4
18..	539 916325....	1....	VALVE, FUEL	46..	872 140608....	2....	RHSNB 3/8-16 x 1
19..	532 192507....	1....	SOLENOID	47..	817 490408....	2....	BOLT 1/4-20 x 1/2
20..	539 912222....	4....	CLAMP, HOSE	48..	539 976977....	2....	NUT 10-24 HEX NYLOC
21..	505 280001....	4....	TIE w/ CLIP	49..	873 800400....	5....	NUT 1/4-20 HEX NYLOC
22..	539 105245....	1....	GROMMET, RUBBER	50..	539 112899....	2....	NUT 5/16-18 FLANGE NYLOC
23..	576 618201....	1....	GROMMET, CHECK VALVE	51..	521 996501....	2....	NUT 3/8-16 HEX FLG NYLOC
24..	539 110432....	1....	ELBOW	NOT SHOWN			
25..	539 110056....	1....	LENS, LT	585 727701 ...	1....	HARNESS, WIRING	
26..	539 110455....	1....	RIM, LT				
27..	539 110057....	1....	LENS, RT				
28..	539 110451....	1....	RIM, RT				

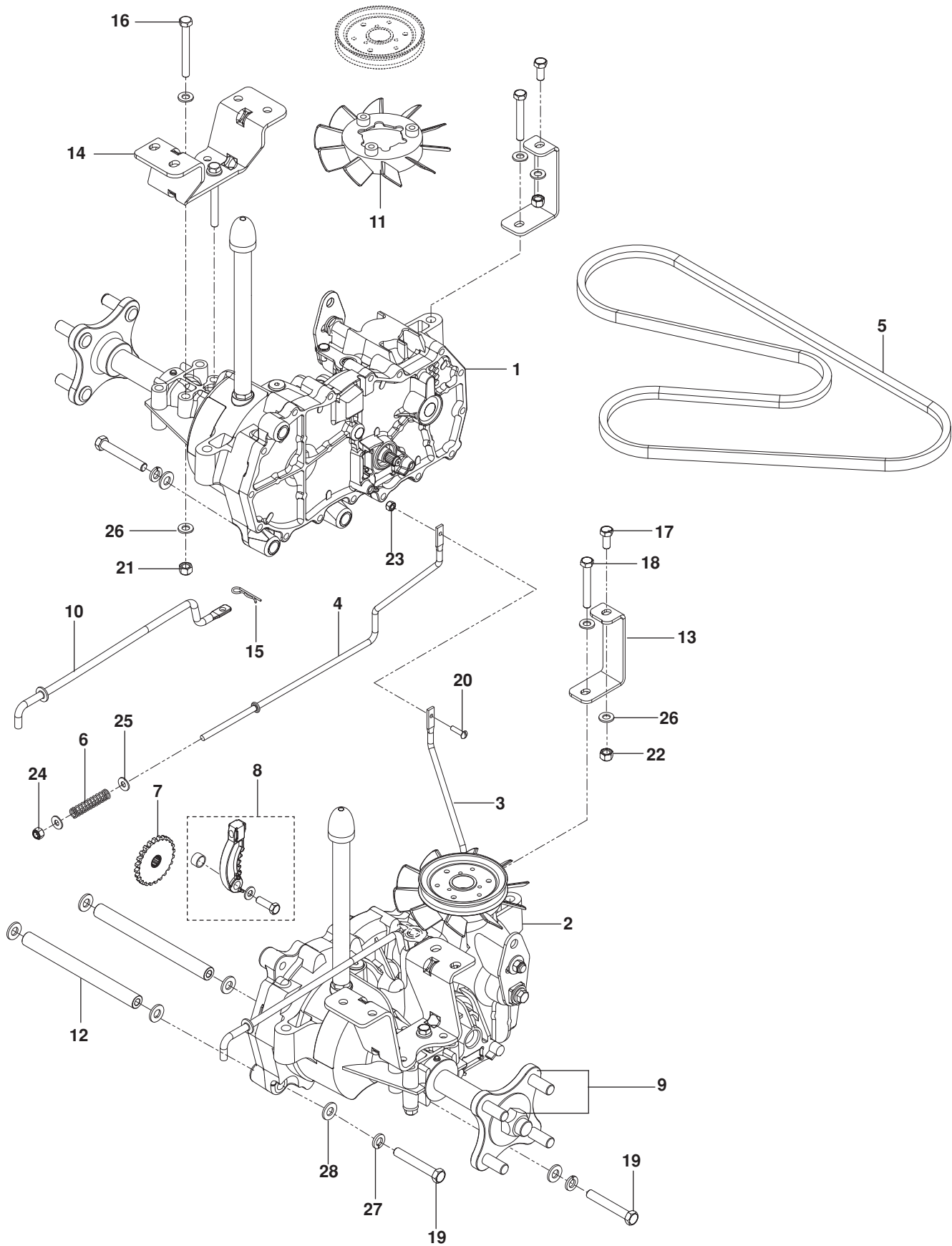
BRAKE / LIFT



BRAKE / LIFT

ITEM	PART NO.	QTY.	DESCRIPTION	ITEM	PART NO.	QTY.	DESCRIPTION
1..	580 435801....	1....	SHAFT, BRAKE	9..	525 847201....	2....	LINK, REAR SUSPENSION
2..	532 448208....	1....	SHAFT, LIFT	10..	522 858601....	2....	BRACKET, CENTERING LNK
3..	510 422901....	2....	ROD, HANDLE RELEASE	11..	532 195185....	2....	ARM, SUSPENSION RR
4..	580 960401....	1....	ROD, LATCH RELEASE	12..	873 800400....	2....	NUT ¼-20 HEX NYLOC
5..	510 030701....	2....	SPRING, COMPRESSION	13..	532 175994....	2....	NUT, LIFT LINK
6..	812 000002....	3....	E-RING	14..	510 184901....	4....	NUT, PLASTIC
7..	510 207201....	2....	GRIP, HANDLE	15..	819 091216....	1....	WASHER ¼ FLT
8..	510 207301....	2....	BUTTON, PUSH				

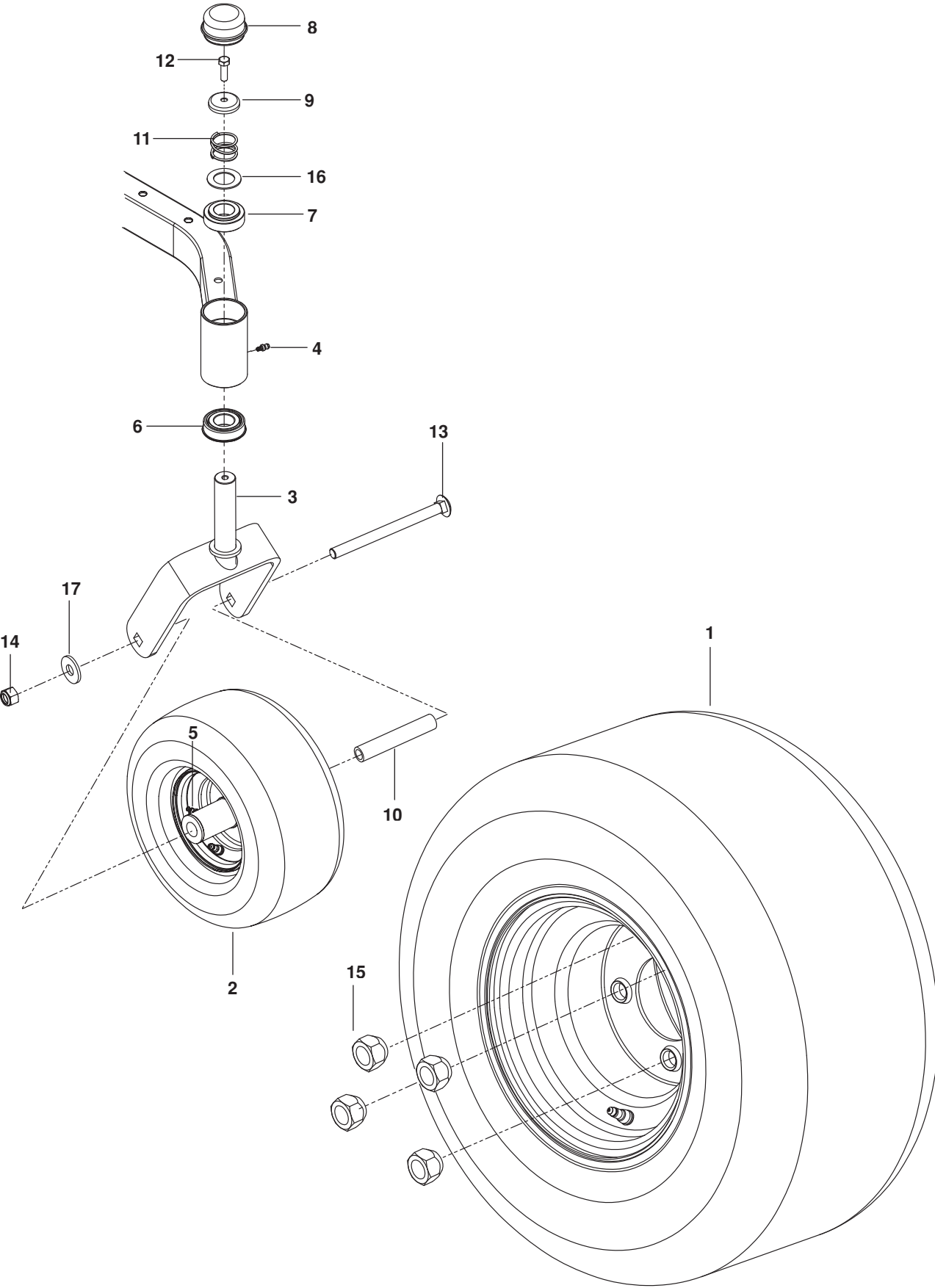
HYDRAULIC PUMP / MOTOR



HYDRAULIC PUMP / MOTOR

ITEM	PART NO.	QTY.	DESCRIPTION	ITEM	PART NO.	QTY.	DESCRIPTION
1..	510 375601....	1....	EZT, LT	15..	539 976988....	1....	HAIRPIN
2..	510 375602....	1....	EZT, RT	16..	874 780544....	4....	HCS $\frac{5}{16}$ -18 x $2\frac{3}{4}$
3..	574 030501....	1....	ROD, EZT BRAKE LT	17..	874 780512....	2....	HCS $\frac{5}{16}$ -18 x $\frac{3}{4}$
4..	574 030502....	1....	ROD, EZT BRAKE RT	18..	874 780536....	2....	HCS $\frac{5}{16}$ -18 x $2\frac{1}{4}$
5..	539 110411....	1....	BELT, EZT	19..	874 780640....	4....	HCS $\frac{3}{8}$ -16 x $2\frac{1}{2}$
6..	539 110342....	2....	SPRING, BRAKE ROD	20..	874 811012....	1....	SCREW 10-24 x $\frac{3}{4}$ SLTD RD
7..	539 120080....	2....	COG, BRAKE DISC	21..	873 800500....	8....	NUT $\frac{5}{16}$ -18 HEX NYLOC
8..	539 120079....	2....	BRAKE ARM KIT	22..	539 115617....	2....	NUT $\frac{5}{16}$ -18 NYLOC INSERT
9..	575 507001....	1....	HUB KIT w/ HUBS, NUTS	23..	539 976977....	1....	NUT 10-24 HEX NYLOC
10..	522 941101....	2....	LINK ARM, BYPASS	24..	873 800400....	2....	NUT $\frac{1}{4}$ -20 HEX NYLOC
11..	539 120785....	2....	BLADE, FAN	25..	819 091016....	4....	WASHER $\frac{1}{4}$ SAE FLT
12..	510 184104....	2....	SPACER TUBE	26..	819 111116..	14....	WASHER $\frac{5}{16}$ SAE FLT
13..	580 806502....	2....	SUPPORT, EZT FRT	27..	810 030600....	4....	WASHER $\frac{3}{8}$ SPLT LCK
14..	580 806602....	2....	MOUNT, EZT RR BLK	28..	819 131316....	8....	WASHER $\frac{3}{8}$ SAE FLT

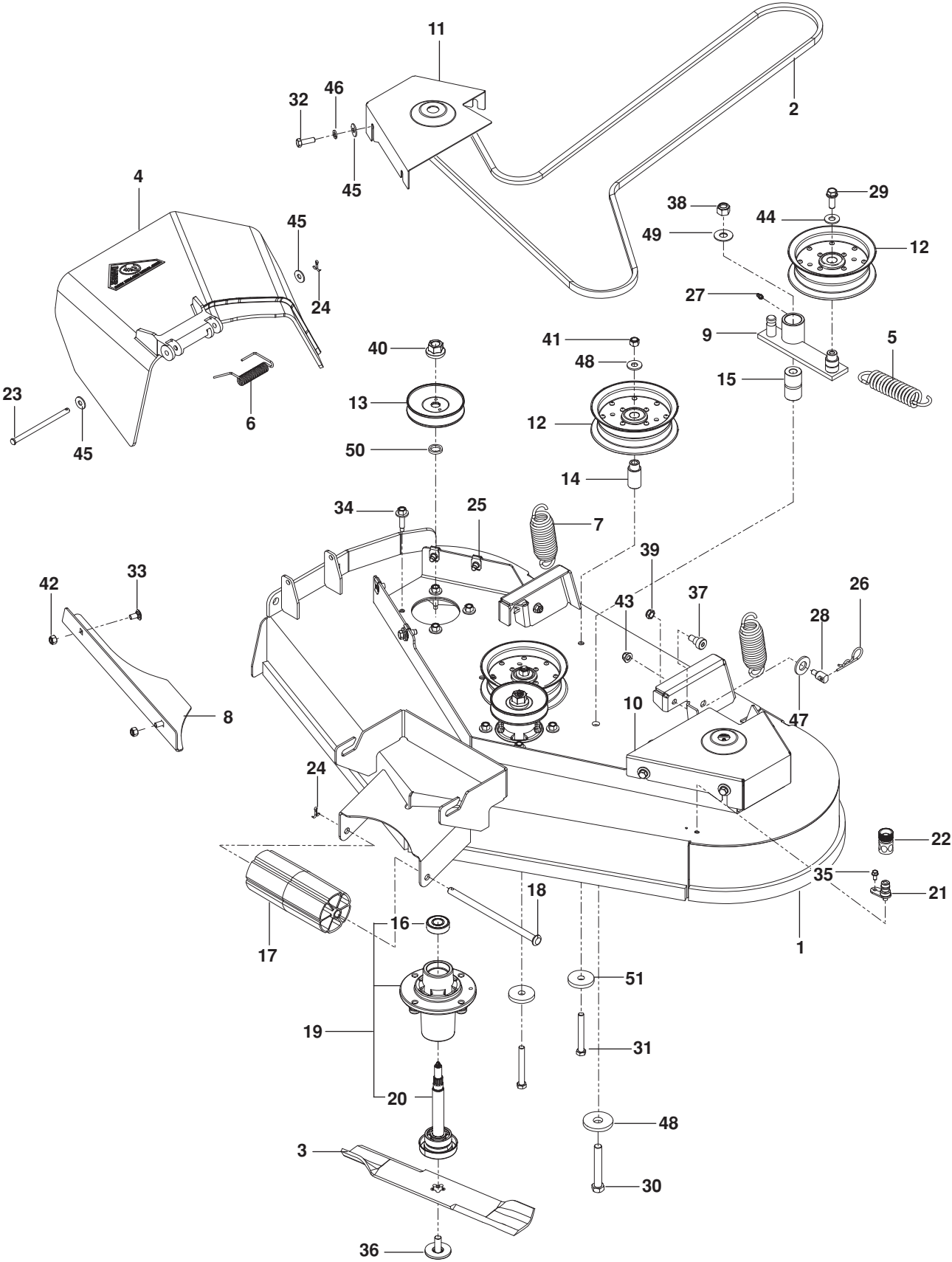
WHEELS AND TIRES



WHEELS AND TIRES

ITEM	PART NO.	QTY.	DESCRIPTION	ITEM	PART NO.	QTY.	DESCRIPTION
1..	581 197601....	2....	WHEEL ASSY, REAR 18x8.5	10..	576 588901....	2....	SPACER
2..	576 588602....	2....	WHEEL ASSY CASTER 11x6.5	11..	539 115747....	2....	SPRING, CASTER
3..	576 588801....	2....	YOKE ORG	12..	874 950516....	2....	BOLT, HEX $\frac{5}{16}$ -18 x 1 NYLOC
4..	539 115638....	2....	ZERK $\frac{3}{16}$ DRIVE	13..	576 601501....	2....	RHSNB $\frac{1}{2}$ -13 x 7
5..	539 103300....	2....	ZERK	14..	873 930800....	2....	NUT $\frac{1}{2}$ -13 HEX CNTRLK
6..	539 112660....	2....	BEARING, FLANGED	15..	539 101173....	8....	NUT $\frac{1}{2}$ LUG
7..	539 117901....	2....	BUSHING, CASTER	16..	539 115675....	2....	WASHER
8..	539 102535....	2....	GREASE CAP	17..	819 182212....	2....	WASHER $\frac{9}{16}$
9..	539 115749....	2....	PLUG, CASTER				

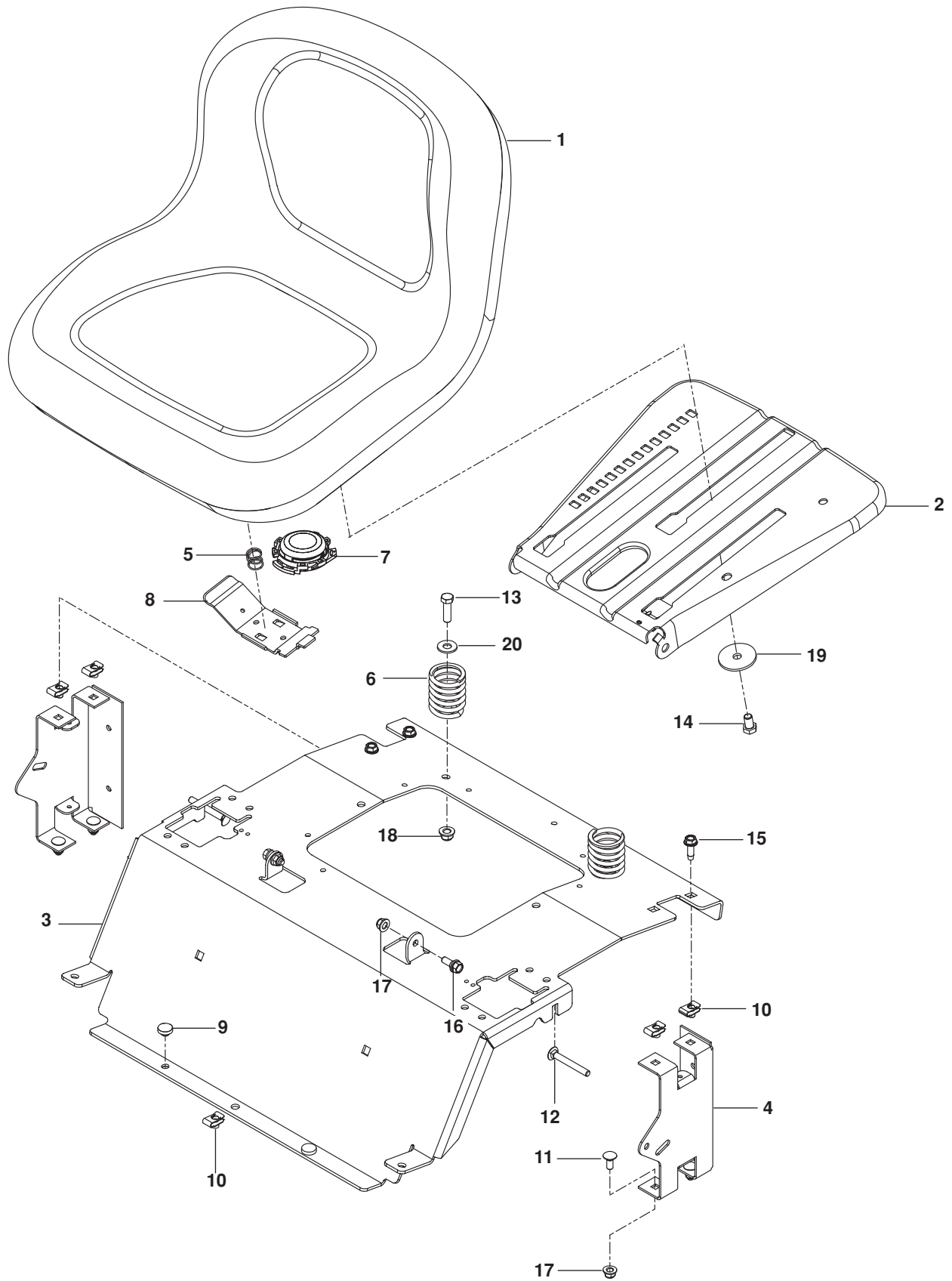
MOWER DECK / CUTTING DECK



MOWER DECK / CUTTING DECK

ITEM	PART NO.	QTY.	DESCRIPTION	ITEM	PART NO.	QTY.	DESCRIPTION
1..	574 761802....	1....	DECK w/SAFETY DECALS	27..	539 976998....	1....	ZERK
2..	539 117245....	1....	BELT, DECK	28..	532 195161....	2....	STUD w/ ANTI-ROTATE
3..	539 112078....	3....	BLADE, 14 5/8	29..	539 990582....	1....	HCS 3/8-16 x 1
4..	539 110731....	1....	DISCHARGE CHUTE	30..	539 103433....	1....	HCS 1/2-13 x 3/4
5..	539 103256....	1....	SPRING	31..	874 780648....	2....	HCS 3/8-16 x 3
6..	539 110735....	1....	SPRING, TORSION	32..	874 780516....	8....	HCS 5/16-18 x 1
7..	539 118762....	2....	SPRING	33..	872 110505....	2....	RHSNB 5/16-18 x 5/8
8..	539 112413....	1....	CONFINEMENT PLATE	34..	532 173984..	12....	SCREW 5/16-18 x WSHR HD
9..	539 112198....	1....	ARM, IDLER	35..	817 490408....	1....	SCREW 1/4-20 x 1/2 THDROL
10..	539 112240....	1....	BELT SHIELD, LT ORG	36..	532 193003....	3....	BOLT WASHER ASSY
11..	539 112238....	1....	BELT SHIELD, RT ORG	37..	539 113621....	2....	BOLT 3/8-16 x 1 1/4 SHOULDER
12..	539 132728....	3....	PULLEY, IDLER	38..	539 101331....	1....	NUT 1/2-13 HEX NYLOC
13..	525 348501....	3....	PULLEY, MANDREL	39..	539 112899....	2....	NUT 5/16-18 HEX FLG NYLOC
14..	539 112169....	2....	BUSHING, IDLER	40..	532 400234....	3....	NUT 9/16 TOP CNTRLK
15..	539 103427....	1....	BUSHING, PIVOT	41..	539 976979....	2....	NUT 3/8-16 HEX NYLOC
16..	532 110485....	1....	BEARING	42..	873 800500....	2....	NUT 5/16-18 HEX NYLOC
17..	532 176066....	1....	ROLLER, NOSE	43..	539 200282....	2....	NUT 3/8-16 HEX JAM NYLOC
18..	532 179127....	1....	ROD, ROLLER, NOSE	44..	819 141614....	3....	WASHER 3/8 STD FLT
19..	539 112170....	3....	MANDREL	45..	819 121414..	10....	WASHER 5/16 STD FLT
20..	532 187291....	1....	SHAFT, MANDREL	46..	810 030500....	8....	WASHER 5/16 SLW
21..	532 415598....	1....	PORT, WASHOUT	47..	819 182212....	2....	WASHER 1/2 SAE FLT
22..	532 416405....	1....	COUPLING, CONNECT	48..	539 102243....	1....	WASHER, SUPPORT
23..	539 110736....	1....	PIN, CLEVIS 5/16 x 5	49..	539 990550....	1....	WASHER 1/2
24..	876 020412....	2....	PIN, COTTER 1/8 x 3/4	50..	532 187690....	3....	WASHER, SPACER
25..	539 104763....	8....	RETAINER, U TYPE	51..	539 106504....	2....	WASHER, HEAVY
26..	539 976989....	2....	HAIRPIN #4				

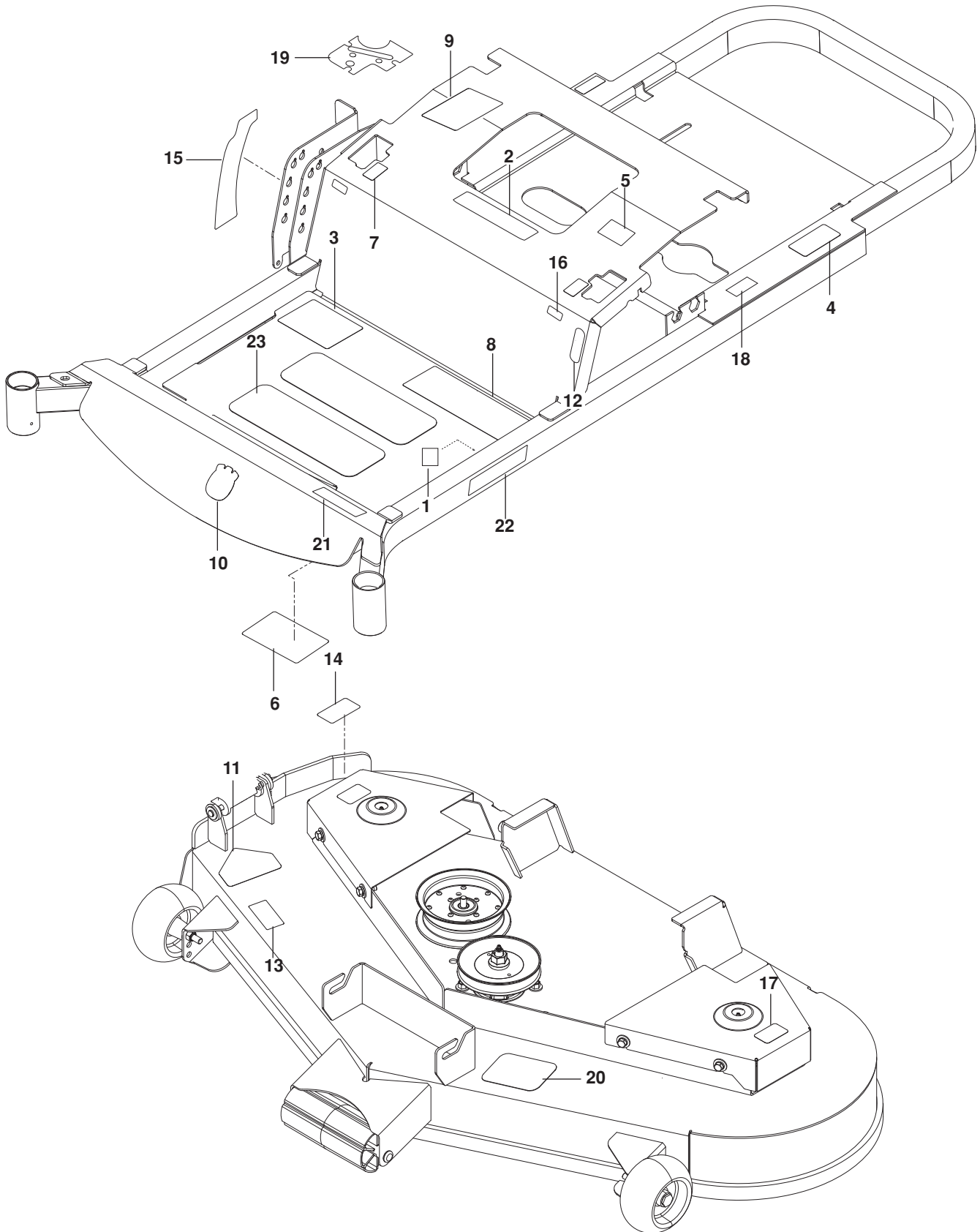
SEAT



SEAT

ITEM	PART NO.	QTY.	DESCRIPTION	ITEM	PART NO.	QTY.	DESCRIPTION
1..	532 439822....	1....	SEAT	11..	872 140506....	4....	RHSNB $\frac{5}{16}$ -18 x $\frac{3}{4}$
2..	532 196977....	1....	PAN, SEAT BLK	12..	510 422701....	2....	RHSNB $\frac{5}{16}$ -18 x $2\frac{1}{2}$
3..	577 260503....	1....	SUPPORT, SEAT, ORG	13..	874 780620....	2....	HCS $\frac{3}{8}$ -16 x $1\frac{1}{4}$
4..	580 308202....	2....	SUPPORT, SEAT RR BLK	14..	539 108503....	1....	HCS $\frac{3}{8}$ -16 x $\frac{5}{8}$
5..	532 198200....	1....	SPRING, LATCH	15..	817 490512....	4....	BOLT $\frac{5}{16}$ -18 x $\frac{3}{4}$ THD FRM
6..	532 124181....	2....	SPRING, SEAT	16..	539 110303....	2....	BOLT $\frac{5}{16}$ -18 SHOULDER
7..	539 132140....	1....	SWITCH, SEAT	17..	539 112899....	8....	NUT $\frac{5}{16}$ -18 HEX FLG NYLOC
8..	532 197661....	1....	HANDLE, SLIDE	18..	521 996501....	2....	NUT $\frac{3}{8}$ -16 HEX FLG NYLOC
9..	539 102587....	2....	GROMMET, BUMPER	19..	539 111897....	1....	WASHER $\frac{3}{8}$ SPECIAL
10..	539 104763....	5....	RETAINER, U TYPE	20..	819 141614....	2....	WASHER $\frac{3}{8}$ STD FLT

DECALS

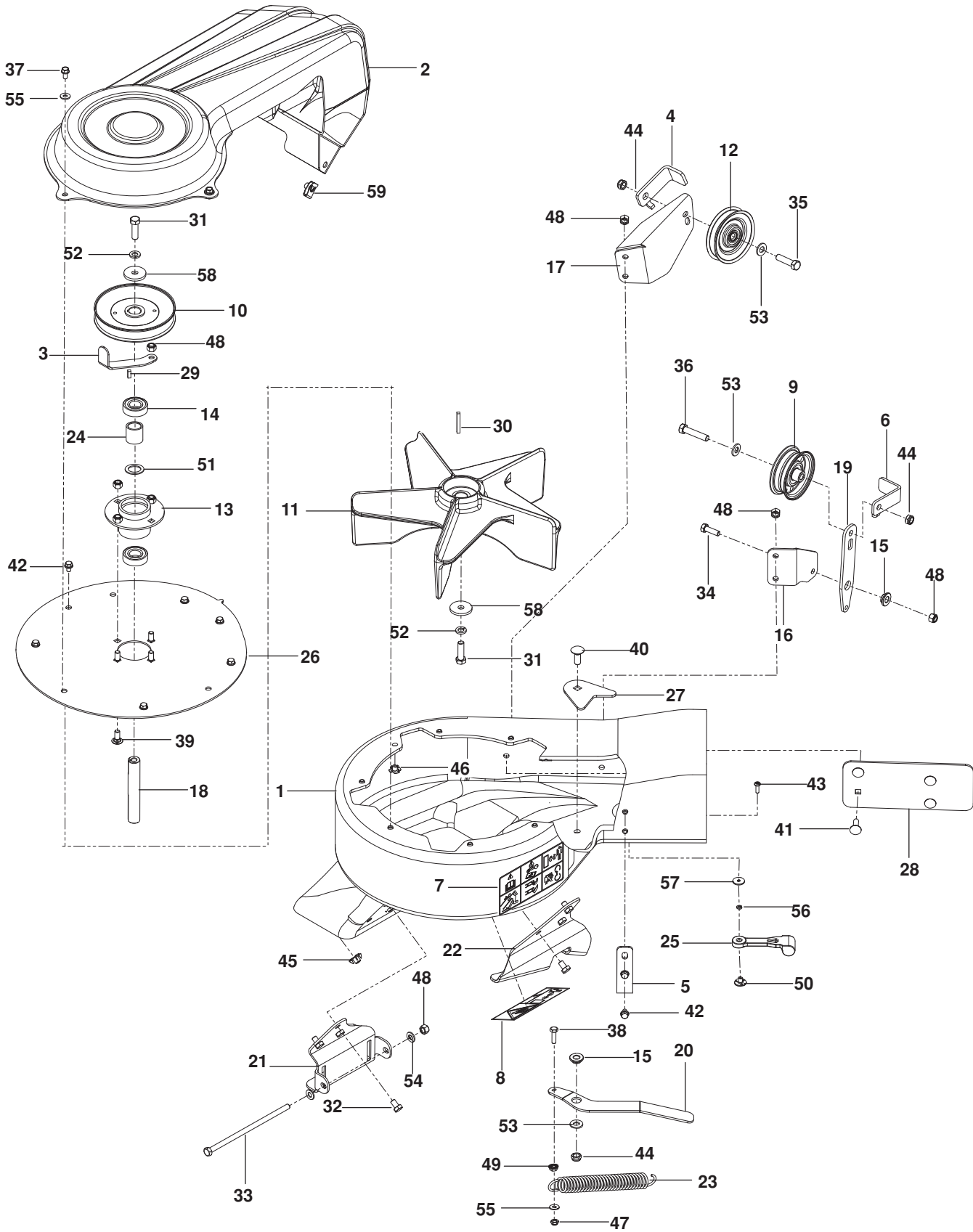


DECALS

ITEM	PART NO.	QTY.	DESCRIPTION	ITEM	PART NO.	QTY.	DESCRIPTION
1..	581 724102....	1....	DECAL, 80 DBA	13..	539 105746....	1....	DECAL, SEVERING
2..	539 105745....	1....	DECAL, BATTERY WARNING	14..	581 724401....	1....	DECAL, DISCHARGE
3..	586 342501....	1....	DECAL, START	15..	521 980501....	1....	DECAL, HEIGHT
4..	539 108385....	1....	DECAL, DO NOT TOW	16..	539 110974....	1....	DECAL, TRACKING
5..	539 108386....	1....	DECAL, EXIT	17..	581 724301....	2....	DECAL, NO STEP
6..	539 109897....	1....	DECAL, SERVICE	18..	539 110279....	2....	DECAL, ECM
7..	539 103333....	2....	DECAL, MOTION CONTROL	19..	586 046701....	1....	DECAL, CONSOLE
8..	539 109908....	1....	DECAL, SAFETY WARNING	20..	539 112620....	1....	DECAL, BELT ROUTING
9..	539 110522....	1....	DECAL, RESPONSIBILITIES	21..	581 153301....	1....	DECAL, RZ4222TF
10..	532 428676....	1....	DECAL, CROWN	22..	532 429196....	2....	DECAL, HUSQVARNA
11..	539 913010....	1....	DECAL, BLADES	23..	539 977778....	3....	ABRASIVE PAD
12..	539 120006....	1....	DECAL, PARK BRAKE				

ACCESSORIES

Blower

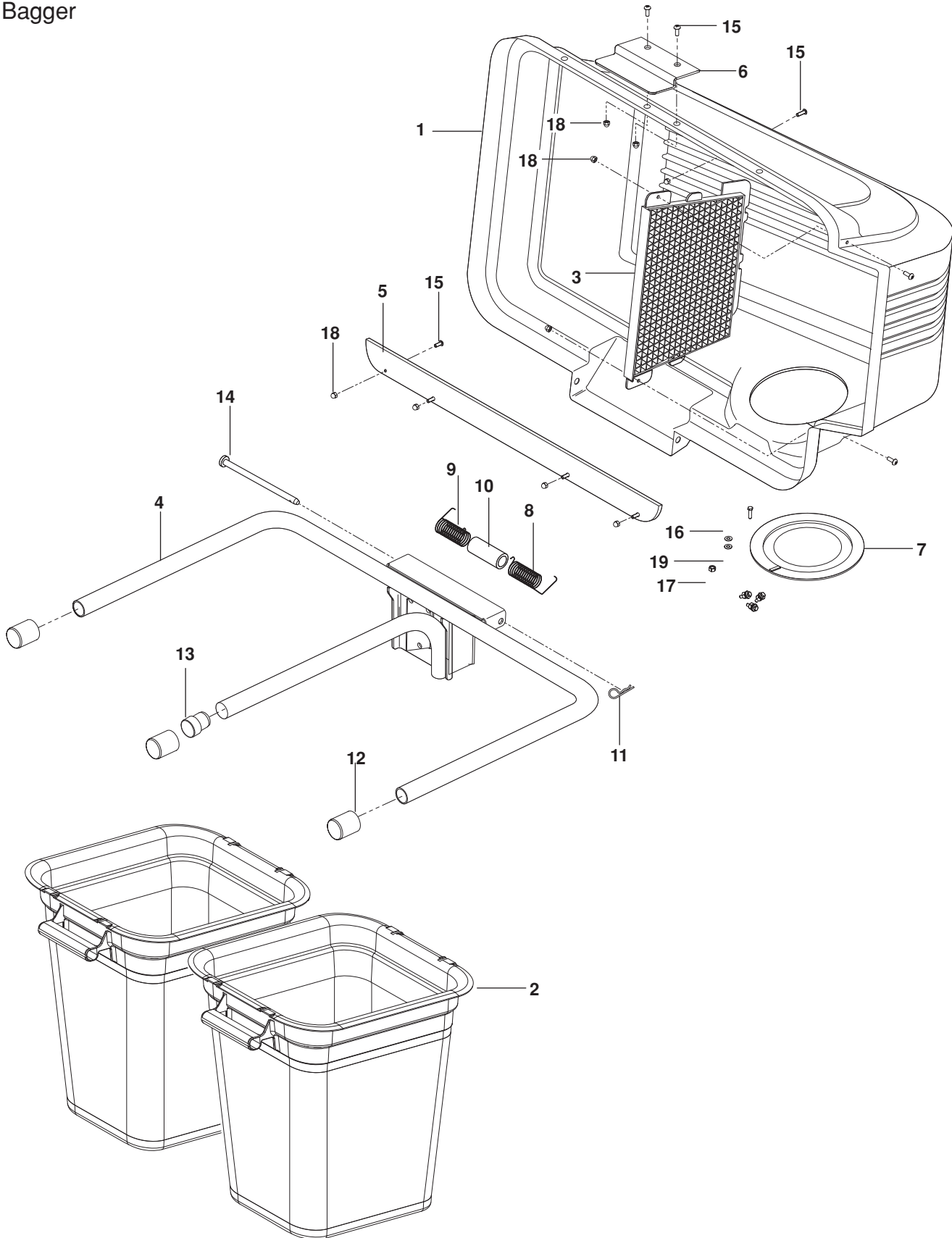


ACCESSORIES

ITEM	PART NO.	QTY.	DESCRIPTION	ITEM	PART NO.	QTY.	DESCRIPTION
1..	539 130344....	1....	HOUSING w/DECALS	31..	539 110321....	2....	HCS $\frac{3}{8}$ -24 x $1\frac{1}{4}$ GR 8
2..	539 130293....	1....	COVER, BELT	32..	539 130315....	6....	HCS $\frac{5}{16}$ -18 x $\frac{1}{2}$
3..	539 131085....	1....	KEEPER, BELT OUTER	33..	539 105826....	1....	HCS $\frac{5}{16}$ -18 x 7
4..	579 137602....	2....	KEEPER, BELT REAR	34..	539 990209....	1....	HCS $\frac{5}{16}$ -18 x 1
5..	539 130346....	1....	KEEPER	35..	539 990655....	1....	HCS $\frac{3}{8}$ -16 x $1\frac{1}{2}$
6..	579 137702....	1....	KEEPER	36..	539 976949....	1....	HCS $\frac{3}{8}$ -16 x $1\frac{3}{4}$
7..	539 105785....	1....	DECAL, WARNING	37..	539 108461....	3....	HCS $\frac{1}{4}$ -20 x $\frac{1}{2}$
8..	539 106741....	1....	DECAL, SEVERING	38..	539 990643....	1....	HCS $\frac{1}{4}$ -20 x $\frac{7}{8}$
9..	579 150802....	1....	PULLEY, IDLER	39..	539 990316....	4....	RHSNB $\frac{5}{16}$ -18 x $\frac{3}{4}$
10..	539 130324....	1....	PULLEY	40..	539 990645....	1....	RHSNB $\frac{3}{8}$ -16 x 1
11..	539 130292....	1....	IMPELLER	41..	539 990208....	4....	RHSNB $\frac{5}{16}$ -18 x 1
12..	539 113683....	1....	V-IDLER	42..	539 990302....	8....	SCREW $\frac{1}{4}$ x $\frac{3}{8}$ THRD FRM
13..	539 130295....	1....	HUB, BEARING	43..	539 976952....	1....	SCREW #10-24 x $\frac{5}{8}$
14..	539 130296....	2....	BEARING	44..	539 200282....	3....	NUT $\frac{3}{8}$ -16 HEX JAM NYLOC
15..	539 130301....	2....	BUSHING	45..	539 130313....	6....	NUT $\frac{5}{16}$ -18 TEE
16..	579 137402....	1....	MOUNT, IDLER, UPPER	46..	539 130314..	11....	NUT $\frac{1}{4}$ -20 TEE
17..	579 137502....	1....	MOUNT, IDLER, LOWER	47..	539 108120....	1....	NUT $\frac{1}{4}$ -20 HEX NYLOC
18..	539 130316....	1....	SHAFT, IMPELLER	48..	539 990717..	10....	NUT $\frac{5}{16}$ -18 HEX NYLOC
19..	579 137302....	1....	ARM, IDLER	49..	539 108735....	1....	NUT $\frac{1}{4}$ -20 HEX FLANGE
20..	539 130338....	1....	ARM, TENSION	50..	539 108089....	1....	WELD NUT, PLATED
21..	539 130339....	1....	BRACKET, MOUNT, FRONT	51..	539 910935....	1....	WASHER
22..	539 130340....	1....	BRACKET, MOUNT, REAR	52..	539 990118....	2....	WASHER $\frac{3}{8}$ SPLT LOCK
23..	539 101977....	1....	TRACTION SPRING	53..	539 990122....	3....	WASHER $\frac{3}{8}$ SAE FLT
24..	539 130323....	1....	SPACER	54..	539 990188....	2....	WASHER $\frac{5}{16}$ SAE FLAT
25..	539 108088....	1....	LATCH, HOOD	55..	539 990055....	4....	WASHER $\frac{1}{4}$ FLAT SAE
26..	539 130341....	1....	PLATE, OUTER	56..	539 109552....	2....	WASHER $\frac{3}{16}$ LOCK
27..	539 132124....	1....	PLATE, BACKING	57..	539 108084....	2....	WASHER $\frac{3}{16}$ x $\frac{3}{4}$ x 16 GA
28..	539 132122....	1....	PLATE, BACKING	58..	539 110323....	2....	WASHER, HARDENED
29..	539 115667....	1....	KEY $\frac{3}{16}$ x $\frac{1}{2}$	59..	539 104763....	1....	RETAINER U TYPE
30..	539 125229....	1....	KEY $\frac{3}{16}$ x $1\frac{1}{2}$				

ACCESSORIES

Bagger

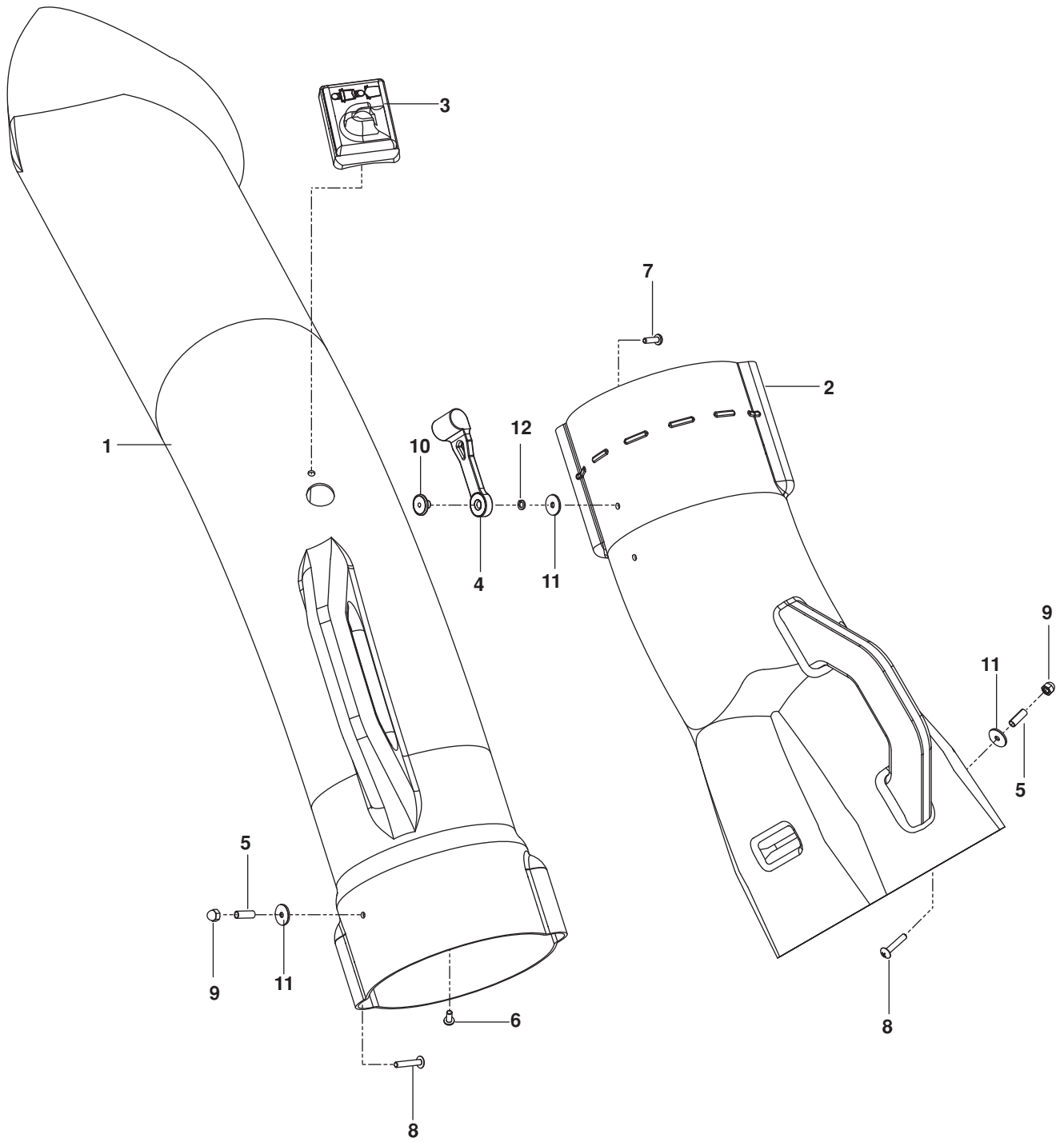


ACCESSORIES

ITEM	PART NO.	QTY.	DESCRIPTION	ITEM	PART NO.	QTY.	DESCRIPTION
1..	539 111139....	1....	COVER ASSY, COMPLETE	11..	539 108096....	1....	HAIRPIN, RETAINER
2..	532 400226....	2....	CONTAINER, SOFT BAG	12..	539 108097....	3....	CAP, TUBING END
3..	532 127533....	1....	SCREEN, COVER	13..	522 801301....	1....	SPACER PLUG
4..	532 179746....	1....	BAGGER, FRAME	14..	532 192786....	1....	PIN, HINGE
5..	532 155042....	1....	STRIP, REINFORCEMENT	15..	539 976952....	9....	SCREW #10-24 x 5/8
6..	532 130895....	1....	LATCH HANDLE, COVER	16..	539 106312....	4....	SCREW #10-24 x 3/4
7..	532 127534....	1....	GASKET	17..	539 976977....	4....	NUT #10-24 HEX NYLOC
8..	532 132796....	1....	SPRING, COVER LH	18..	539 108086....	9....	NUT #10-24 ACORN
9..	532 132983....	1....	SPRING, COVER RH	19..	539 105408....	8....	WASHER #10 FLAT
10..	532 133235....	1....	SPACER, COVER				

ACCESSORIES

Chutes

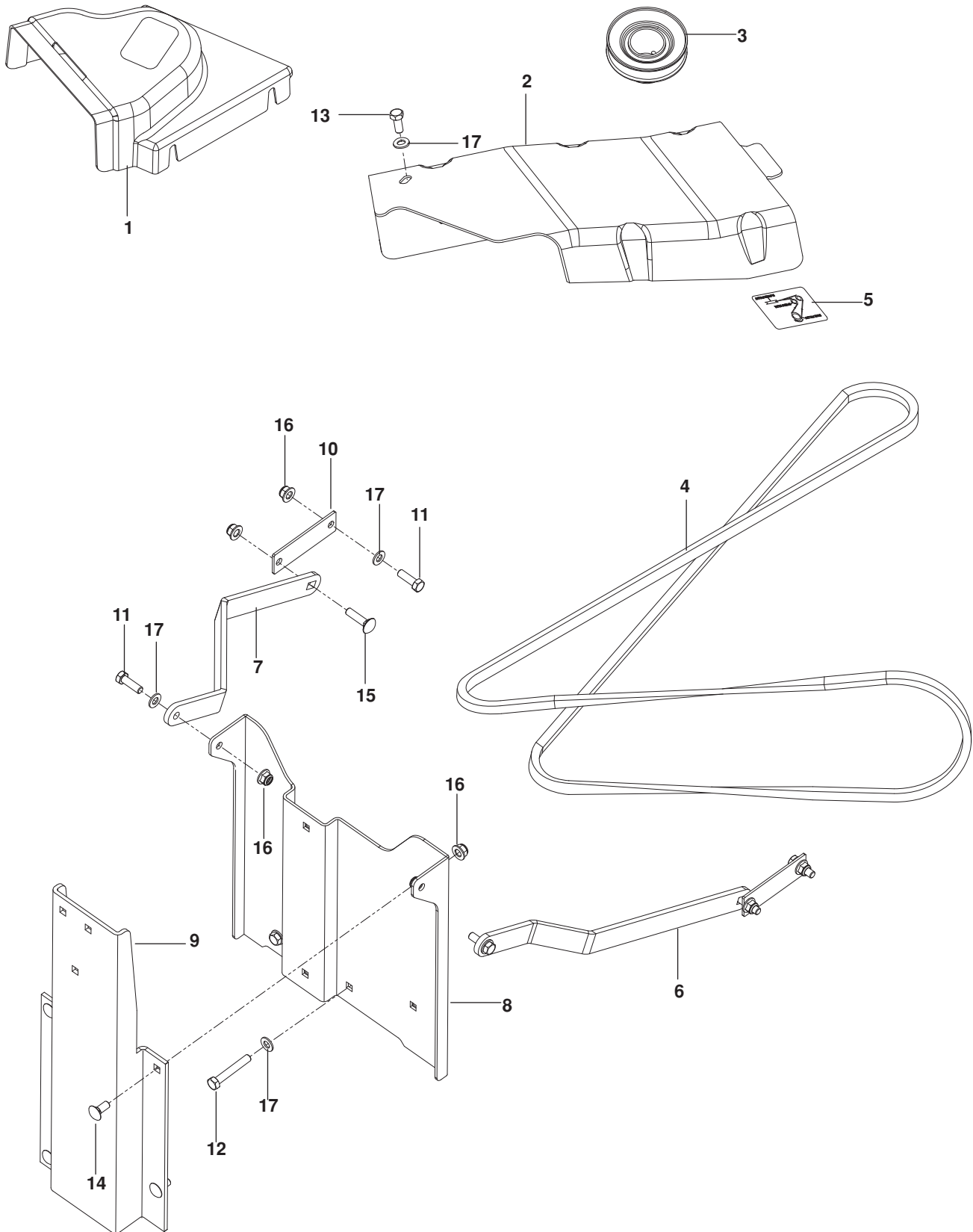


ACCESSORIES

ITEM	PART NO.	QTY.	DESCRIPTION	ITEM	PART NO.	QTY.	DESCRIPTION
1..	522 739202....	1....	CHUTE, UPPER	7..	539 976952....	1....	SCREW #10-24 x 5/8
2..	539 130294....	1....	CHUTE, MIDDLE	8..	539 108083....	2....	SCREW #10-24 x 1 1/8
3..	539 108082....	1....	INDICATOR, BAG DUMP	9..	539 108086....	2....	NUT #10-24 ACORN
4..	539 108088....	1....	LATCH, HOOD	10..	539 108089....	1....	WELD NUT, PLATED
5..	539 108085....	2....	SPACER, SPLIT	11..	539 108084....	3....	WASHER 3/16 x 3/4 x 16 GA
6..	539 108081....	1....	SCREW #10-14 x 1/2	12..	539 109552....	2....	WASHER 3/16 LOCK

ACCESSORIES

Guards, Mounts and Belt

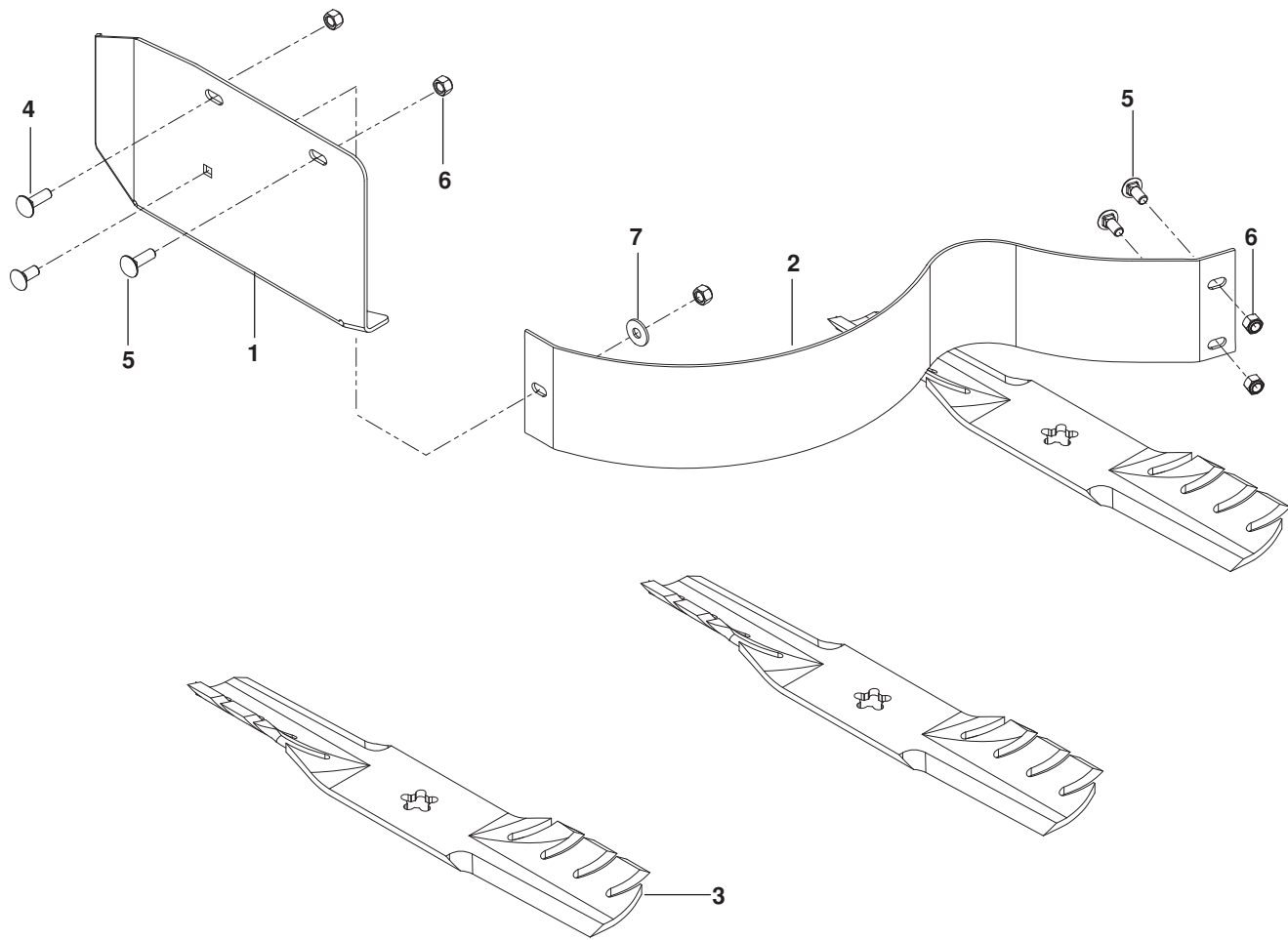


ACCESSORIES

ITEM	PART NO.	QTY.	DESCRIPTION	ITEM	PART NO.	QTY.	DESCRIPTION
1..	573 944201....	1....	SHIELD, BELT	10..	523 112802....	2....	PLATE REINFORCEMENT
2..	539 130309....	1....	COVER, OUTER PULLEY	11..	539 990209....	4....	HCS $5/16$ -18 x 1
3..	573 944001....	1....	PULLEY	12..	539 976938....	2....	HCS $5/16$ -18 x 2 $1/4$
4..	539 132347....	1....	BELT	13..	539 976934....	1....	HCS $5/16$ -18 x $3/4$
5..	539 130349....	1....	DECAL, BELT ROUTING	14..	539 990316....	4....	RHSNB $5/16$ -18 x $3/4$
6..	522 854402....	1....	STRAP, SUPPORT, RT	15..	539 100472....	2....	RHSNB $5/16$ -18 x 1 $1/4$
7..	522 854502....	1....	STRAP, SUPPORT, LT	16..	539 112899..	12....	NUT $5/16$ -18 FLANGE NYLOC
8..	522 854602....	1....	MOUNT, 2 BIN COLLECT	17..	539 990188....	7....	WASHER $5/16$ SAE FLAT
9..	522 854702....	1....	BRACKET, COLLECTION				

ACCESSORIES

Mulch Kit



ACCESSORIES

ITEM	PART NO.	QTY.	DESCRIPTION
1..	539 112346....	1....	42 MULCH CAP
2..	539 112419....	1....	42 MULCH BAFFLE
3..	573 953001....	3....	BLADE, 14 ^{5/8} "
4..	539 990208....	2....	RHSNB ^{5/16} -18 x 1

ITEM	PART NO.	QTY.	DESCRIPTION
5..	539 990316....	3....	RHSNB ^{5/16} -18 x ^{3/4}
6..	539 990717....	5....	NUT ^{5/16} -18 NYLOC
7..	539 990692....	1....	WASHER ^{5/16}

