

Repair Parts Manual Manual De Repuestos

YTH24K48 / 96045003502

Please read the operator's manual carefully and make sure you understand the instructions before using the machine.

Por favor lea cuidadosamente y comprenda estas instrucciones antes de usar esta maquina.



English/Spanish

585 82 74-27 Rev. 2



HOW TO USE THIS MANUAL

This manual is designed to provide the customer with a means to identify the parts on his/her tractor when ordering repair parts. The illustrations may or may not represent the actual assemblies; therefore, it is not recommended to use this manual as a guide to assemble or disassemble the tractor. Some hardware and parts are drawn larger in order to more readily identify them.

Each tractor has its own model number.

The model number for your tractor can be found on the fender under the seat.

When ordering parts, always give the following information:

- Product - "TRACTOR"
- MODEL NUMBER - "YTH24K48" (96045003502)"
- Part Number
- Part Description

TABLE OF CONTENTS

SCHEMATIC	3
ELECTRICAL.....	4-5
CHASSIS	6-7
DRIVE.....	8-9
ENGINE.....	10-11
STEERING	12-13
MOWER DECK.....	14-15
MOWER LIFT.....	16
SEAT	17
DECALS.....	18

COMO UTILIZAR ESTE MANUAL

Este manual está diseñado para brindarle al comprador un medio para identificar las piezas del tractor para cuando necesite hacer el pedido de un repuesto. Las ilustraciones pueden o no representar los ensambles reales; por lo tanto, no se recomienda utilizar este manual como una guía para ensamblar o desarmar el tractor. Algunos accesorios y piezas están dibujados en tamaños más grandes para identificarlos con mayor facilidad.

Cada tractor tiene su propio número de modelo.

El número de modelo del tractor se encuentra en el guardabarros debajo del asiento.

Cuando haga el pedido de una pieza, siempre brinde la siguiente información:

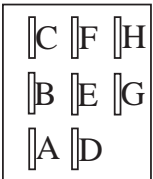
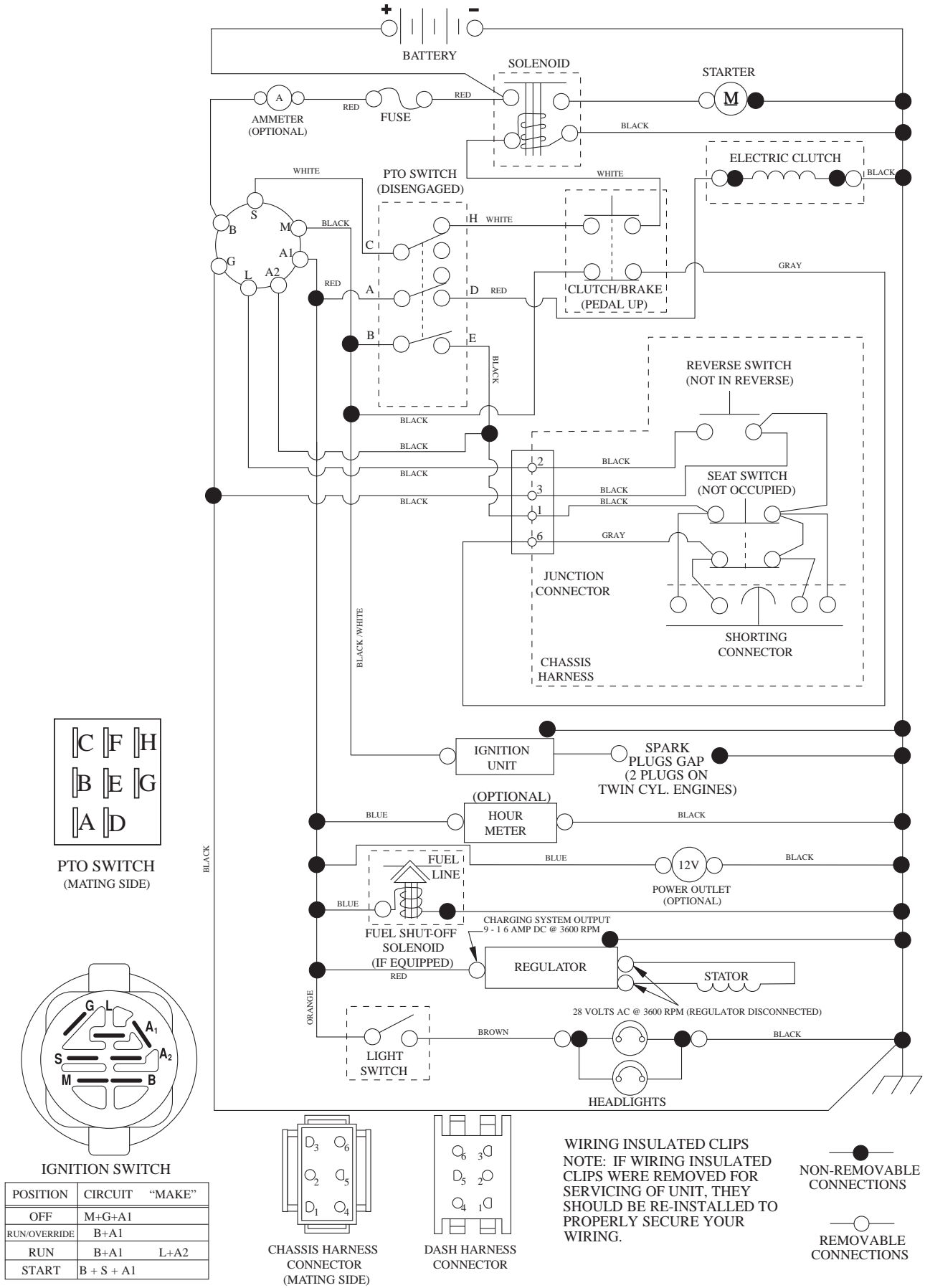
- Producto: "TRACTOR"
- NÚMERO DE MODELO: "YTH24K48"(96045003502)"
- Número de pieza
- Descripción de la pieza

ÍNDICE

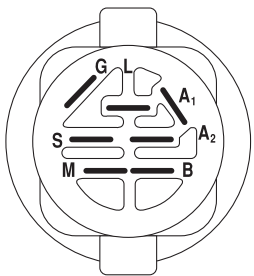
DIAGRAMA.....	19
DIAGRAMA ELÉCTRICO	20-21
CHASIS.....	22-23
TRANSMISIÓN	24-25
MOTOR	26-27
DIRECCIÓN	28-29
PLATAFORMA DE LA CORTADORA DE CÉSPED.....	30-31
ELEVACIÓN DE LA CORTADORA DE CÉSPED.....	32
ASIENTO.....	33
CALCOMANÍAS.....	34

TRACTOR - MODEL NO. YTH24K48 (96045003502), PRODUCT NO. 960 45 00-35 SCHEMATIC

SCH12

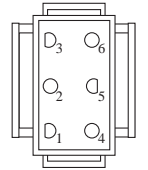


PTO SWITCH (MATING SIDE)

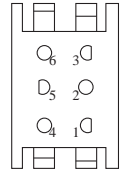


IGNITION SWITCH

POSITION	CIRCUIT	"MAKE"
OFF	M+G+A1	
RUN/OVERRIDE	B+A1	
RUN	B+A1	L+A2
START	B + S + A1	



CHASSIS HARNESS CONNECTOR (MATING SIDE)



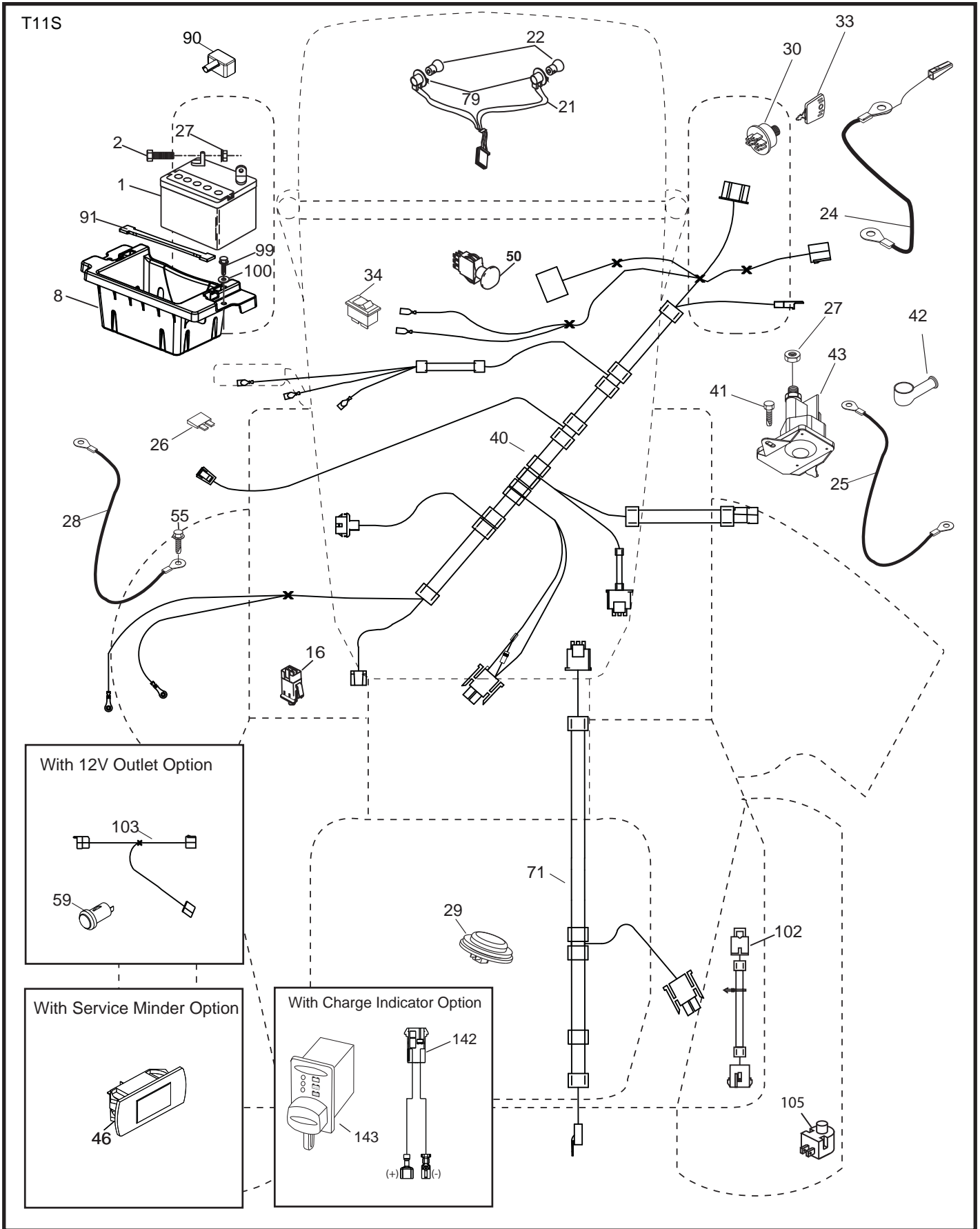
DASH HARNESS CONNECTOR

WIRING INSULATED CLIPS
NOTE: IF WIRING INSULATED CLIPS WERE REMOVED FOR SERVICING OF UNIT, THEY SHOULD BE RE-INSTALLED TO PROPERLY SECURE YOUR WIRING.

● NON-REMOVABLE CONNECTIONS

○ REMOVABLE CONNECTIONS

**TRACTOR - MODEL NO. YTH24K48 (96045003502), PRODUCT NO. 960 45 00-35
ELECTRICAL**

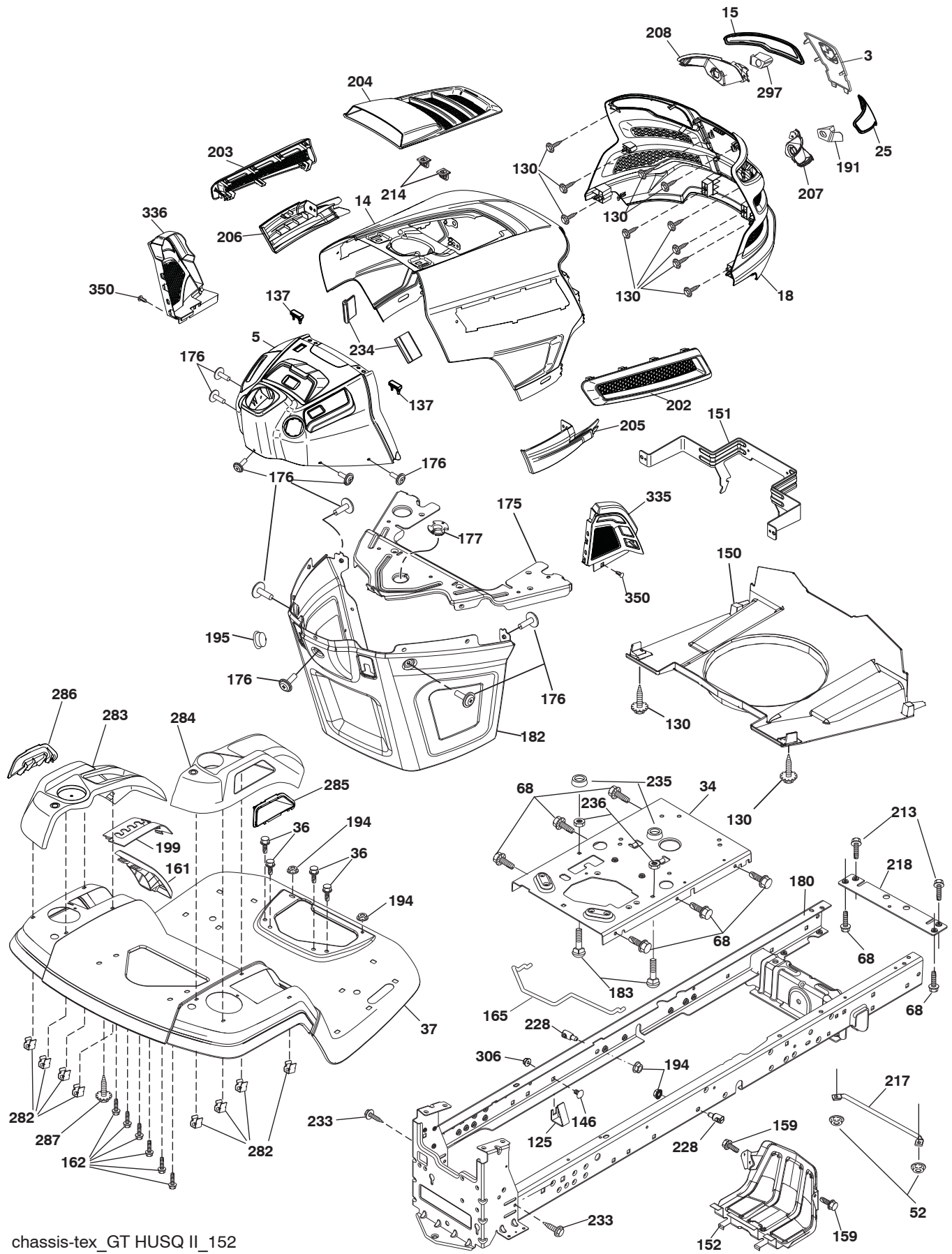


**TRACTOR - MODEL NO. YTH24K48 (96045003502), PRODUCT NO. 960 45 00-35
ELECTRICAL**

KEY NO.	PART NO.	DESCRIPTION
1	532 16 34-65	Battery
2	874 76 04-12	Bolt Hex Hd 1/4-20 unc x 3/4
8	532 41 41-25	Battery Box
16	532 17 61-38	Switch Interlock
21	532 40 02-52	Harness Socket Light
22	532 00 41-52	Bulb, Light #1156
24	532 40 02-53	Cable Battery
25	585 55 55-01	Cable Starter
26	532 17 51-58	Fuse
27	873 51 04-00	Nut Keps Hex 1/4-20 unc
28	532 14 54-91	Cable Ground 21" Blk 6 Ga.
29	532 40 15-45	Switch Seat
30	532 19 33-50	Switch Ign
33	532 41 19-33	Key/Chain
34	532 11 07-12	Switch Light/Reset
40	532 40 11-04	Harness Ign. Dash
41	817 72 04-08	Screw Thd Cut 1/4-20 x 1/2
42	532 13 15-63	Cover Terminal Red
43	532 19 25-07	Solenoid
46	532 40 17-63	Gauge Hourmeter
50	532 19 61-12	Switch PTO
55	817 06 05-12	Screw Thdrol 5/16-18 x 3/4
71	532 19 42-76	Harness Ign
79	532 17 52-42	Socket Asm. Bulb Twistlock
90	532 43 53-95	Cover Terminal Battery
91	532 19 02-70	Strap Battery
99	817 67 04-12	Screw Hexwsh Thdrol 1/4-20 x 3/4
100	819 09 14-16	Washer 9/32 x 7/8 x 16 Ga.
102	532 40 44-54	Harness Pigtail
105	532 40 75-68	Switch Reverse TT Pedal Control

NOTE: All component dimensions given in U.S. inches
1 inch = 25.4 mm

TRACTOR - MODEL NO. YTH24K48 (96045003502), PRODUCT NO. 960 45 00-35
CHASSIS



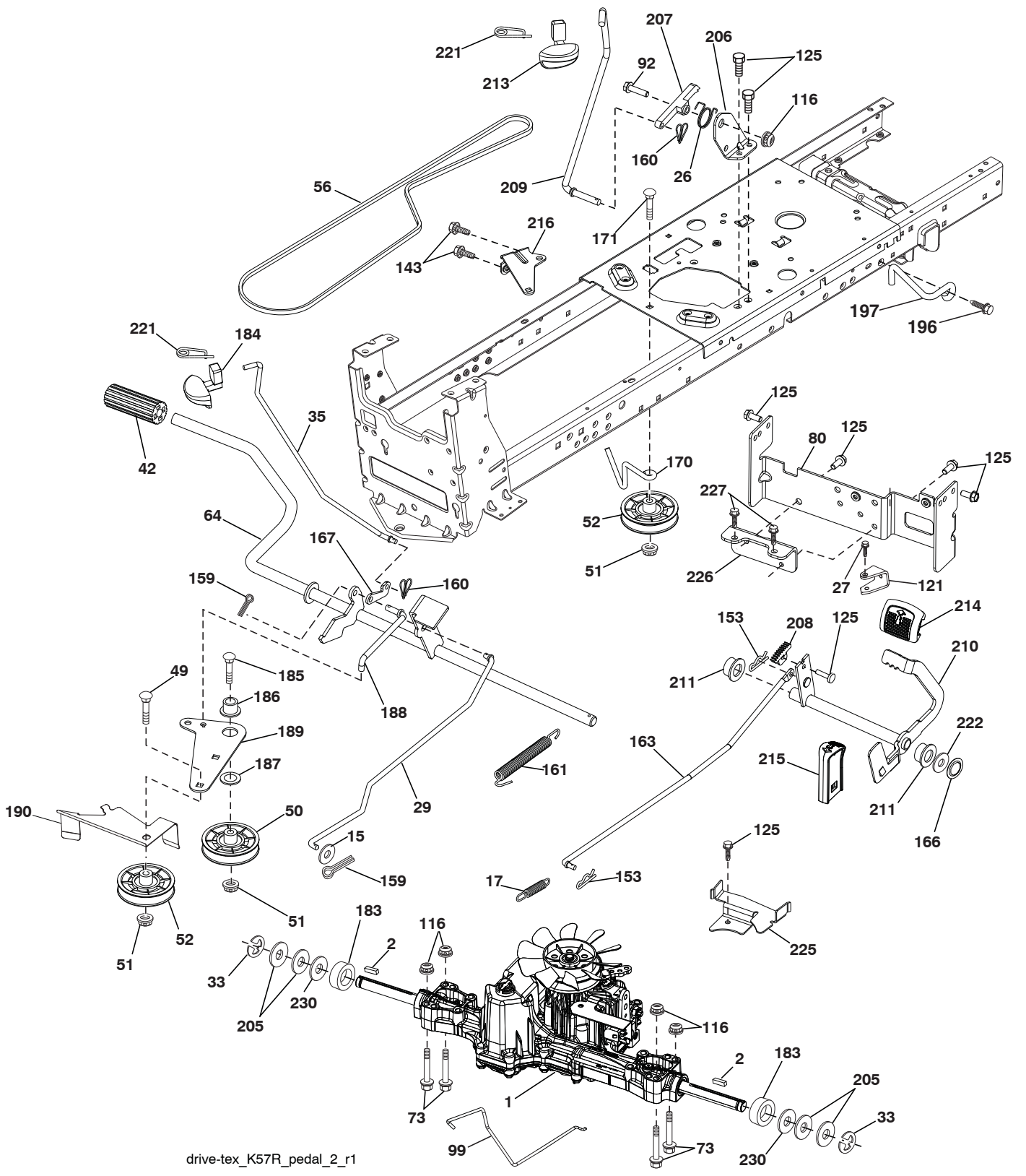
chassis-tex_GT HUSQ II_152

**TRACTOR - MODEL NO. YTH24K48 (96045003502), PRODUCT NO. 960 45 00-35
CHASSIS**

KEY NO.	PART NO.	DESCRIPTION	KEY NO.	PART NO.	DESCRIPTION
3	532 43 97-52	Logo	202	532 43 97-28	Vent Side Hood RH
5	532 43 74-80	Dash	203	532 43 97-27	Vent Side Hood LH
14	532 44 11-77	Hood	204	532 43 57-14	Vent Top Hood
15	532 43 97-33	Lens LH	205	532 43 97-30	Skirt Hood Side RH
18	532 44 06-53	Grille	206	532 43 97-29	Skirt Hood Side LH
25	532 44 33-85	Lens RH	207	532 43 97-34	Bezel RH
34	580 91 08-01	Plate Engine	208	532 43 97-35	Bezel LH
36	817 06 05-12	Screw 5/16-18 x 3/4	213	874 76 05-12	Bolt 5/16-18 unc x 3/4
37	532 44 11-78	Fender	214	532 19 91-45	Clip Retainer Tinner
52	873 68 05-00	Nut Lock 5/16-18	217	532 40 91-67	Rod Pivot
68	817 49 05-08	Screw 5/16-18 x 1/2	218	532 19 63-95	X-Piece Hood Stop
125	581 68 48-01	Clip Fuel Line	228	532 19 51-61	Stud Fastner
130	532 41 63-58	Screw #10 x 0.750 BOS Thread	233	532 19 65-39	Bolt, Shoulder
137	532 40 75-90	Bumper Dash	234	532 40 47-42	Bumper Hood
146	581 85 79-01	Bolt	235	532 40 61-29	Spacer Fender
150	532 43 97-74	Air Duct	236	873 93 05-00	Nut Lock 5/16-18 unc
151	532 43 66-70	Bracket Pivot	282	532 41 41-10	Clip Retainer Console
152	532 43 98-70	Shield Browning	283	532 43 98-61	Console Asm. Decklift
159	817 00 06-12	Screw Hexwsh 3/8-16 3/4	284	532 43 98-23	Console Asm.
161	532 43 97-81	Window Fuel	285	532 41 63-15	Console Insert RH
162	532 14 24-32	Screw	286	532 41 63-17	Console Insert LH
165	532 19 68-26	Support Tank Rear	287	817 60 04-06	Screw Hex Washead 1/4-20 x 3/8
175	532 19 63-04	Crossmember	297	532 43 74-56	Insert Reflective LH
176	532 40 07-76	Screw 10-24 x 5/8	306	873 90 06-00	Nut Lock
177	532 19 52-27	Bushing Steering	335	532 44 82-04	Cover Lower Dash Close Out RH
180	532 19 54-57	Chassis	336	532 44 53-09	Cover Lower Dash LH
182	532 40 68-59	Dash Lower	350	532 44 51-43	Clip X-mas Tree
183	874 52 05-20	Bolt Fin Hex 5/16-18 unc x 1-1/4			
191	532 43 74-55	Insert Reflective RH			
194	873 90 05-00	Nut Lock Hex Flange 5/16-18			
195	532 40 41-37	Plug Hole Dash Lower			
199	532 41 34-85	Plate Deck Lift			

NOTE: All component dimensions given in U.S. inches
1 inch = 25.4 mm

TRACTOR - MODEL NO. YTH24K48 (96045003502), PRODUCT NO. 960 45 00-35 DRIVE



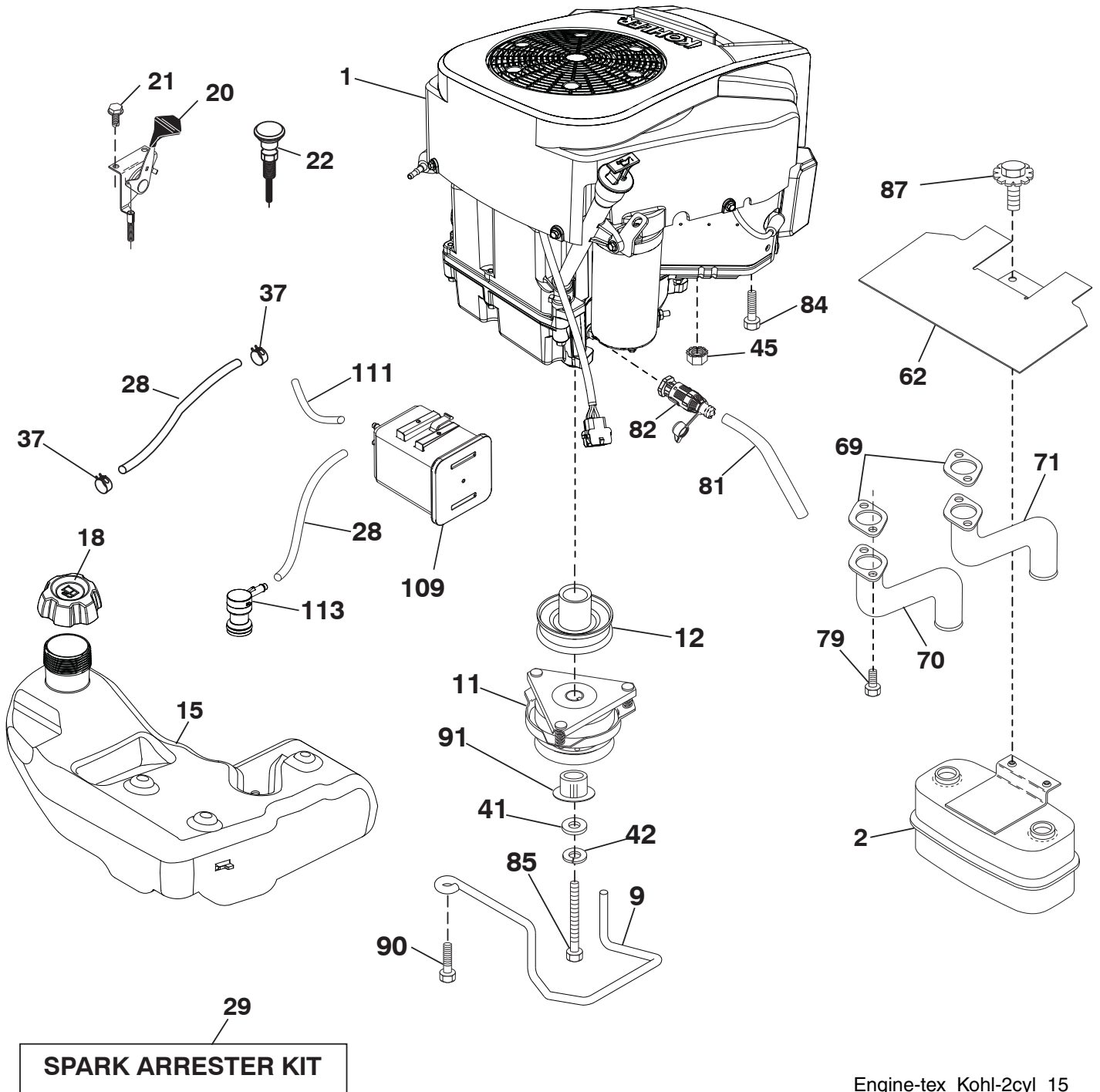
drive-tex_K57R_pedal_2_r1

**TRACTOR - MODEL NO. YTH24K48 (96045003502), PRODUCT NO. 960 45 00-35
DRIVE**

KEY NO.	PART NO.	DESCRIPTION	KEY NO.	PART NO.	DESCRIPTION
1	-----	Transaxle, TUFFTORQ K57R (437814) (Order parts from transaxle manufacturer.)	170	532 19 43-22	Keeper Belt Centerspan
2	532 12 35-83	Key	171	872 11 06-16	Bolt RDHD SQNK 3/8-16 unc x 2
15	819 13 13-16	Washer 13/32 x 13/16 x 16 Ga.	183	532 13 70-57	Spacer Split
17	532 41 36-78	Spring, Brake	184	532 44 14-55	Handle Parking Brake
26	532 19 96-79	Spring Return Cruise	185	872 11 06-22	Bolt Rdhd Sqnk 3/8-16 x 2-3/4 Gr. 5
27	817 49 05-28	Screw Hexwsh Thd. 5/16-18 x 1-3/4	186	532 19 43-21	Spacer Retainer
29	532 40 38-06	Rod, Brake	187	819 13 32-10	Washer
33	812 00 00-01	Ring E	188	532 19 43-23	Link Clutch Ground Drive
35	583 86 45-01	Rod, Brake, Park	189	532 19 43-17	Bellcrank Ground Drive
42	532 12 48-72	Cover, Foot Pedal	190	532 19 43-18	Keeper Bellcrank Ground Drive
49	872 11 06-14	Bolt	196	817 00 06-16	Screw 3/8-16 x 1
50	532 19 43-27	Pulley Idler Flat	197	532 19 58-04	Bracket Clutch Anti-Rotation
51	873 90 06-00	Lock Nut 3/8-16	205	532 12 17-48	Washer
52	532 19 43-26	Idler V-Groove Offset	206	532 44 85-96	Bracket Mount Latch Cruise
56	532 13 09-69	V-Belt, Drive	207	532 19 78-68	Latch Control Cruise
64	532 19 78-65	Shaft Asm. Pedal Brake Control	208	532 19 78-69	Gear Sector Control Cruise
73	874 49 05-40	Bolt Hex Flghd 5/16-18 x 2 1/2 G5	209	532 19 95-92	Rod Control Cruise
80	532 44 06-19	Strap Torque	210	532 40 09-80	Rocker Asm. Pedal Control
92	874 76 05-20	Bolt Fin Hex 5/16-18 unc x 1.25	211	532 12 01-83	Bearing Nylon
99	532 41 57-42	Rod Asm. Bypass	213	532 40 31-19	Knob Control Cruise
116	873 90 05-00	Nut Lock Hex Flange 5/16-18	214	532 42 12-63	Pedal Forward Pad
121	532 43 76-84	Bracket Torque	215	532 40 17-23	Pedal Reverse
125	817 00 05-12	Screw 5/16-18 x 3/4	216	532 19 61-31	Bracket Pulley Idler
143	817 49 05-08	Screw 5/16-18 x 1/2	221	532 40 31-87	Retainer Spring Clip Handle
153	532 12 47-88	Retainer Spring	222	879 21 20-10	Washer 21/32 x 1-1/4 x 10 Ga.
159	876 02 04-12	Pin Cotter 1/8 x 3/4	225	532 40 33-19	Keeper Belt Trans.
160	532 16 94-84	Retainer Clip	226	532 40 15-64	Bracket Mount Torque
161	532 10 57-09	Spring, Return, Clutch	227	817 49 05-12	Screw Thdrol 5/16-18 x 3/4
163	532 44 82-75	Rod Pedal Control	230	532 18 89-67	Washer Hardened
166	532 42 91-64	Nut Push			
167	532 40 52-57	Latch Brake Parking			

NOTE: All component dimensions given in U.S. inches
1 inch = 25.4 mm

**TRACTOR - MODEL NO. YTH24K48 (96045003502), PRODUCT NO. 960 45 00-35
ENGINE**



Engine-tex_Kohl-2cyl_15

**TRACTOR - MODEL NO. YTH24K48 (96045003502), PRODUCT NO. 960 45 00-35
ENGINE**

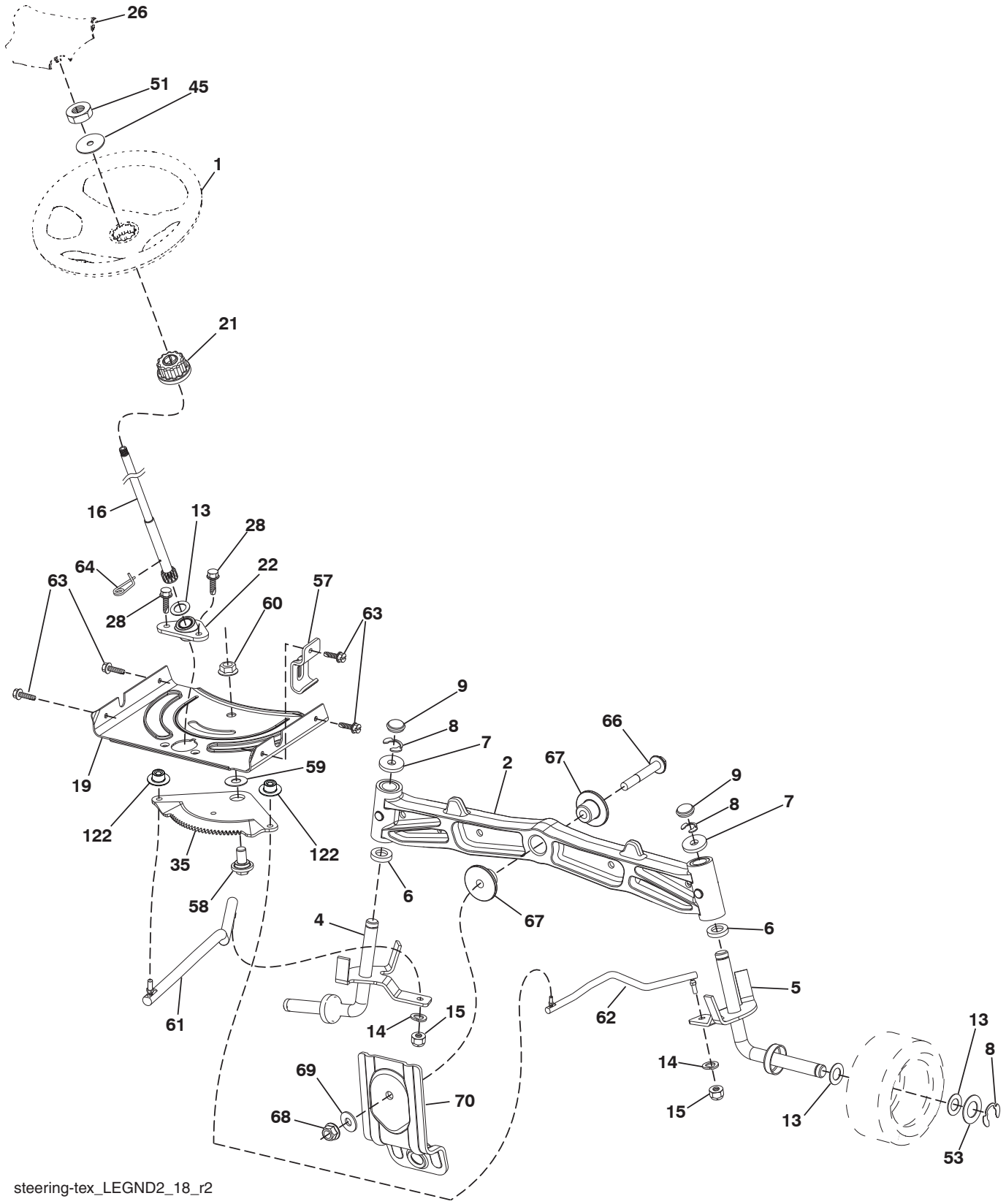
KEY NO.	PART NO.	DESCRIPTION
1	---	Engine Kohl Model No. SV725-3028 (445981) (Order parts from engine manufacturer.)
2	532 44 59-62	Muffler
9	584 90 80-01	Keeper Belt Engine
11	532 40 00-08	Clutch Electric
12	532 40 50-97	Pulley Engine
15	532 41 41-51	Tank Fuel
18	532 43 92-08	Cap Fuel
20	532 18 29-37	Control Throttle
21	532 41 63-58	Screw #10 x 0.750 BOS Thread
22	532 19 15-96	Control Choke
28	532 40 11-35	Fuel Line
29	532 13 71-80	Spark Arrester Kit
37	532 12 34-87	Clamp Hose
41	532 12 61-97	Washer 1-1/2 OD x 15/32 ID x .250
42	810 04 07-00	Washer Lock 7/16
45	873 51 04-00	Nut Keps Hex 1/4-20 unc
62	532 43 40-17	Shield Heat Muffler
69	532 18 60-54	Gasket
70	532 14 66-99	Tube Exhaust LH
71	532 14 67-00	Tube Exhaust RH
79	532 19 23-34	Screw Socket Head 5/16-18 x .75
81	532 14 84-56	Tube Drain Oil Easy
82	532 42 82-87	Valve Oil Drain
84	817 12 06-16	Screw 3/8-16 x 1
85	532 17 39-37	Bolt Hex 7/16-20 x 4 Gr. 5
87	532 17 18-77	Bolt 5/16-18 unc x 1 w/Sems
90	817 00 06-16	Screw 3/8-16 x 1
91	532 18 79-45	Bushing
109	532 41 41-14	Canister Carbon Filter
111	532 42 07-18	Purge Line
113	532 41 41-27	Valve Slant Cartrdg

NOTE: All component dimensions given in U.S. inches
1 inch = 25.4 mm

For engine service and replacement parts, call the toll free number for your engine manufacturer listed below:

Kohler Co. 1-800-544-2444

TRACTOR - MODEL NO. YTH24K48 (96045003502), PRODUCT NO. 960 45 00-35
STEERING ASSEMBLY



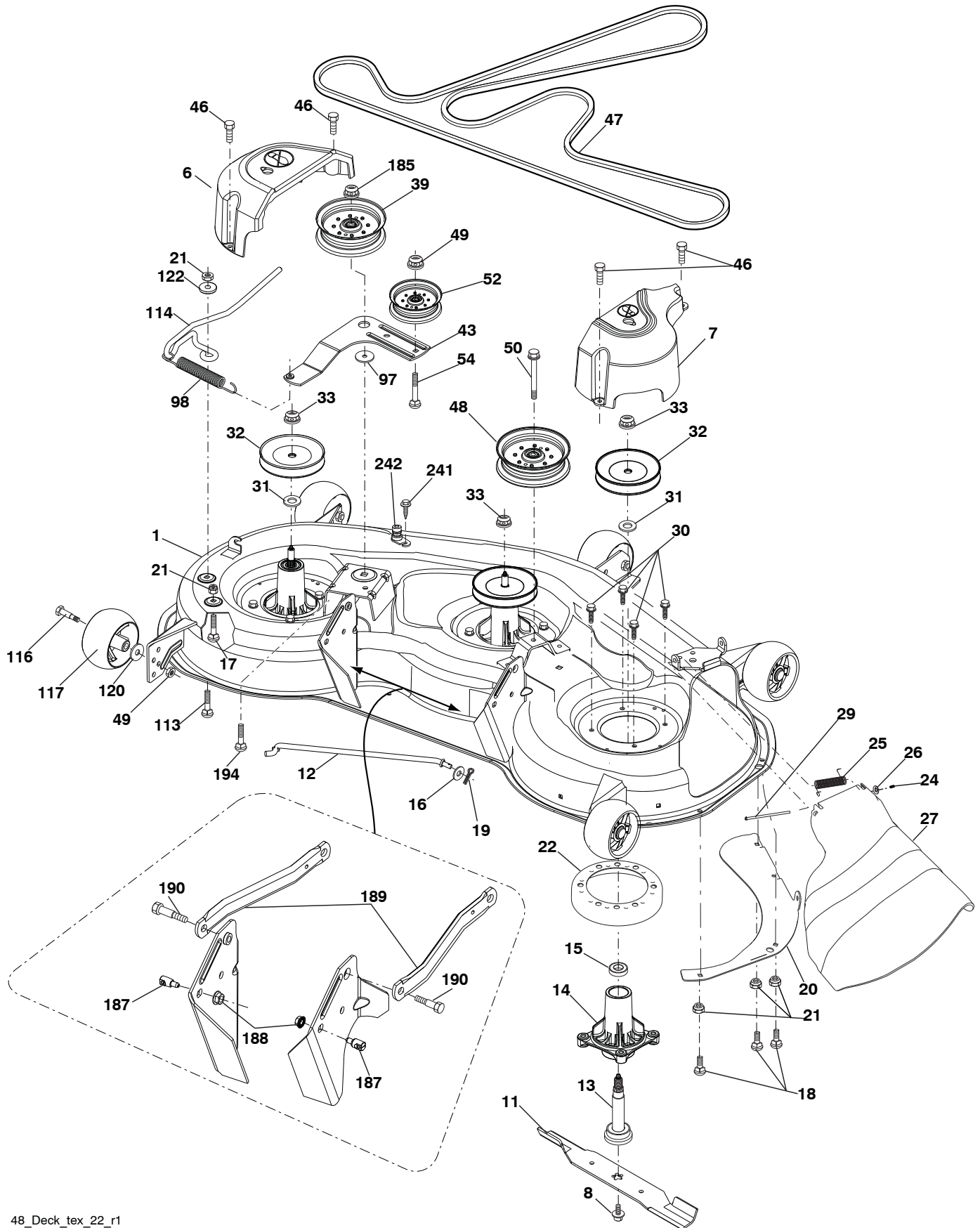
steering-tex_LEGND2_18_r2

**TRACTOR - MODEL NO. YTH24K48 (96045003502), PRODUCT NO. 960 45 00-35
STEERING ASSEMBLY**

KEY NO.	PART NO.	DESCRIPTION
1	532 43 97-40	Wheel, Steering
2	532 19 59-68	Axle Asm., Front
4	532 40 30-87	Spindle Asm., LH
5	532 40 30-88	Spindle Asm., RH
6	532 12 49-31	Bearing, Race Thrust Harden
7	532 12 17-48	Washer 25/32 x 1-5/8 x 16 Ga.
8	812 00 00-29	Ring, Clip #T5304-75
9	532 12 12-32	Cap, Spindle
13	532 12 17-49	Washer 25/32 x 1-1/4 x 16 Ga.
14	810 04 06-00	Washer, Lock Hvy Hlcl Spr 3/8
15	873 54 06-00	Nut, Crown Lock 3/8-24 unf
16	532 40 82-19	Shaft Steering
19	532 19 47-29	Plate Steering
21	532 18 67-37	Adapter, Wheel Steering
22	532 42 05-37	Steering, Support Lower
26	532 43 97-43	Insert, Wheel Steering
28	817 00 06-12	Screw 3/8-16 x 3/4
35	532 19 47-32	Gear, Sector Plate
45	819 18 38-12	Washer 9/16 x 2-3/8 x 12 Ga.
51	873 94 08-00	Nut Hex Jam Toplock 1/2-20 unf
53	532 18 89-67	WasherHardened.793x1.637x.060
57	532 19 72-46	Bracket Upstop
58	532 19 47-47	Bolt Shoulder Sector Pivot CFM
59	532 19 47-48	Washer Thrust Sector Steering
60	873 97 10-00	Nut Flange Lock 5/8-11
61	532 19 47-40	Draglink, LH
62	532 19 47-41	Draglink, RH
63	817 00 05-12	Screw 5/16-18 x 3/4
64	532 19 98-49	Retainer Clip Spring Steering
66	871 02 07-48	Bolt Hex Fghd 7/16-14 x 3 Serr
67	532 19 47-37	Bushing PM Front Axle
68	873 90 07-00	Nut Lock Flange 7/16-14 Gr. 5
69	532 19 91-62	Washer 1.5 x .505 x .118
70	532 19 61-97	Bracket Deck Susp. Front
122	532 44 49-62	Cap Gear

NOTE: All component dimensions given in U.S. inches
1 inch = 25.4 mm

**TRACTOR - MODEL NO. YTH24K48 (96045003502), PRODUCT NO. 960 45 00-35
MOWER DECK**



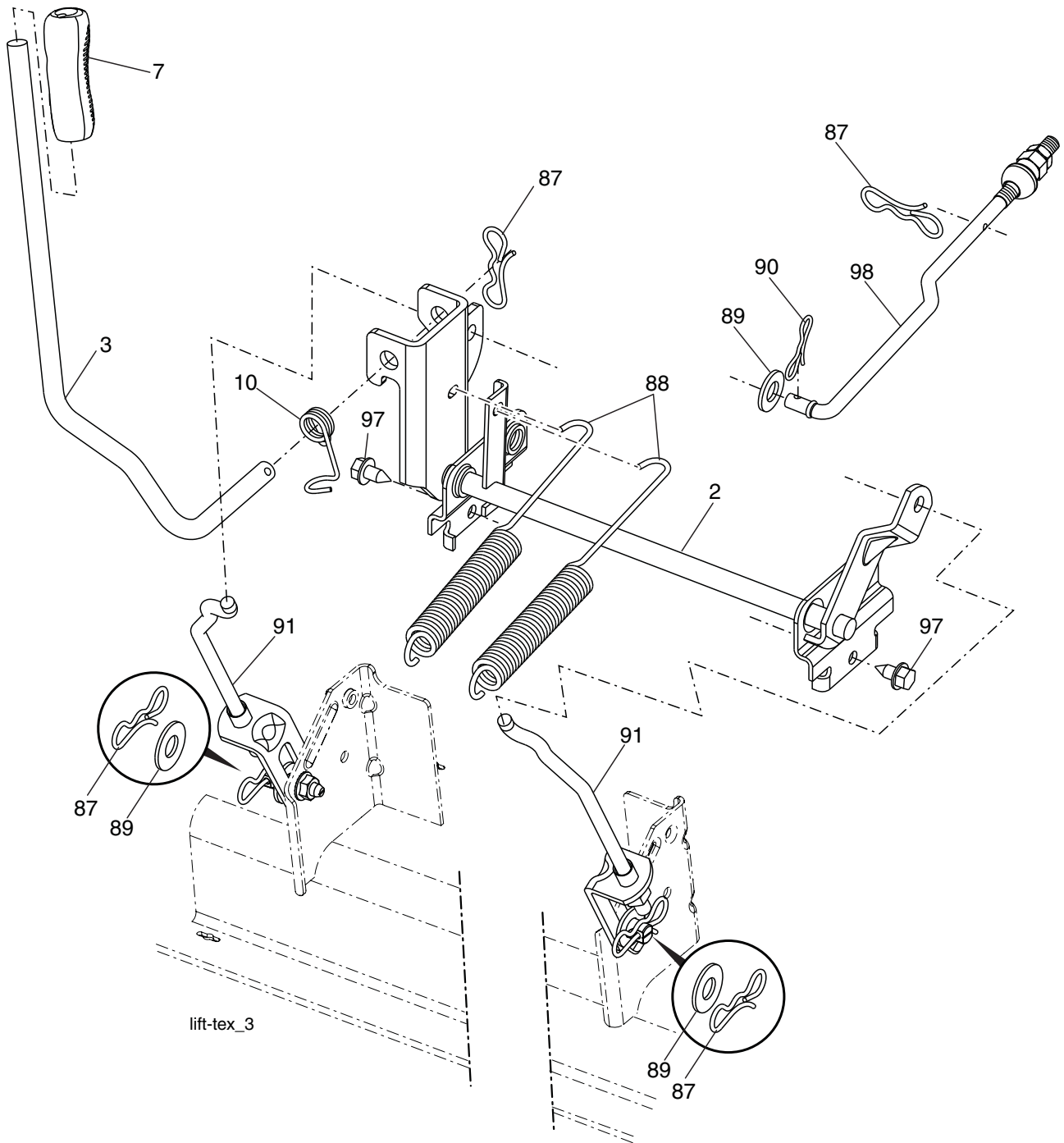
48_Deck_tex_22_r1

**TRACTOR - MODEL NO. YTH24K48 (96045003502), PRODUCT NO. 960 45 00-35
MOWER DECK**

KEY NO.	PART NO.	DESCRIPTION	KEY NO.	PART NO.	DESCRIPTION
1	532 44 12-93	Deck Weldment Mower	49	873 90 06-00	Nut, Lock Flg. 3/8-16 unc
6	532 19 72-48	Cover Mandrel LH	50	817 49 06-36	Screw TT 3/8-16 x 2-1/4
7	532 19 91-02	Cover Mandrel RH	52	532 19 31-97	Pulley Idler 48" Primary
8	532 19 30-03	Bolt 7/16 Asm. Blade	54	872 11 06-12	Bolt Carr. Sh 3/8-16 x 1-1/2 Gr. 5
11	532 18 00-54	Blade High Lift	97	532 17 85-15	Washer Hardened
12	532 40 48-51	Rod Anti-Sway	98	532 19 61-05	Spring Drive
13	532 18 72-91	Shaft Asm. w/Lower Bearing	113	872 11 05-08	Bolt Rdhd Sqnk 5/16-18 x 3/4
14	532 18 72-81	Housing, Mandrel	114	532 19 74-51	Rod Tension Relief
15	532 11 04-85	Bearing, Ball, Mandrel	116	532 19 34-06	Bolt, Shoulder
16	819 13 13-12	Washer 13/32 x 13/16 x 12 Ga.	117	532 17 48-73	Gauge Wheel
17	872 11 05-05	Bolt 5/16-18 x 5/8	120	819 13 20-12	Washer 13/32 x 1-1/4 x 12 Ga.
18	872 14 05-05	Bolt RdHd 5/16-18 unc x 5/8	122	532 18 75-57	Bushing Tension Relief
19	532 19 42-08	Pin Cotter 5/16 Bow Tie Lock	185	873 90 07-00	Nut Lock Flange 7/16-14 Gr. 5
20	532 17 43-78	Baffle Vortex	187	532 19 51-61	Stud Fastener w/"D" Anti-Rotation
21	873 68 05-00	Nut, Crownlock 5/16-18 unc	188	873 90 05-00	Nut Lock Hex Flange
22	532 17 44-93	Stripper Mandrel	189	532 19 51-85	Arm Susp. Mower Rear
24	532 10 53-04	Cap Sleeve	190	532 19 65-39	Bolt Shoulder
25	532 17 81-02	Spring, Torsion	194	874 49 07-36	Bolt 7/16 - 24
26	532 11 04-52	Nut, Push	241	532 15 29-27	Screw TT #10-32.5 3/8 Flange
27	532 18 17-07	Deflector Shield	242	532 41 55-98	Port, Washout
29	532 13 14-91	Rod, Hinge	--	532 18 72-92	Mandrel Assembly (Includes housing (Key# 14), shaft assembly (Key# 13), and bearing (Key# 15) only - pulley/ nut/washer and blade bolt/washers not included)
30	532 17 39-84	Screw, Thdroll Washer Head	--	532 41 82-23	Replacement Mower, Complete
31	532 18 76-90	Washer, Spacer Mower Vented	--	532 41 64-05	Coupling Quick Connect
32	532 15 35-32	Pulley, Mandrel			
33	532 40 02-34	Nut, Flg. Top Lock			
39	532 19 73-80	Pulley, Idler, 4.50 Hub			
43	532 19 60-65	Arm, Idler			
46	532 13 77-29	Screw, Thdroll. 1/4-20 x 5/8			
47	532 19 72-42	Belt Deck Drive			
48	532 19 73-79	Pulley Idler 4.50 RAW			

NOTE: All component dimensions given in U.S. inches
1 inch = 25.4 mm

**TRACTOR - MODEL NO. YTH24K48 (96045003502), PRODUCT NO. 960 45 00-35
MOWER LIFT**

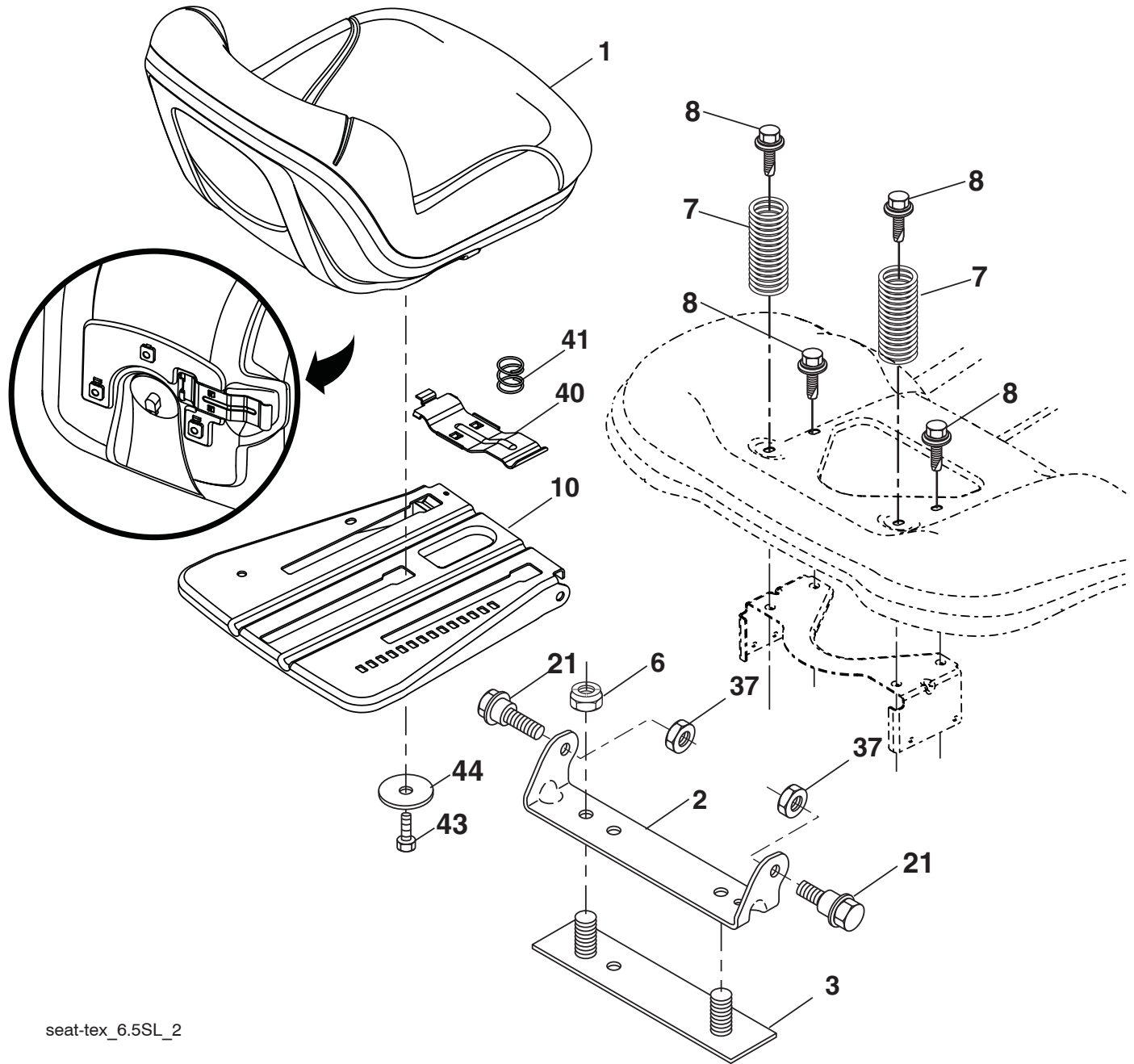


KEY NO.	PART NO.	DESCRIPTION
2	532 42 20-27	Shaft Asm. Cross, Lift
3	532 19 52-31	Lever Asm., Lift
7	580 96 23-01	Grip, Lever
10	532 19 63-14	Spring Torsion
87	532 19 42-09	Pin Cotter 7/16 Bow Tie Lock
88	532 41 07-10	Spring Lift Assist
89	819 19 19-12	Washer Clear Zinc

KEY NO.	PART NO.	DESCRIPTION
90	532 19 42-08	Pin Cotter 5/16 Bow Tie Lock
91	532 19 51-81	Link Lift Susp Mower Rear
97	817 00 06-12	Screw 3/8-16 x .75
98	532 19 52-64	Link Lift Susp. Front Mower

NOTE: All component dimensions given in U.S. inches
1 inch = 25.4 mm

**TRACTOR - MODEL NO. YTH24K48 (96045003502), PRODUCT NO. 960 45 00-35
SEAT ASSEMBLY**



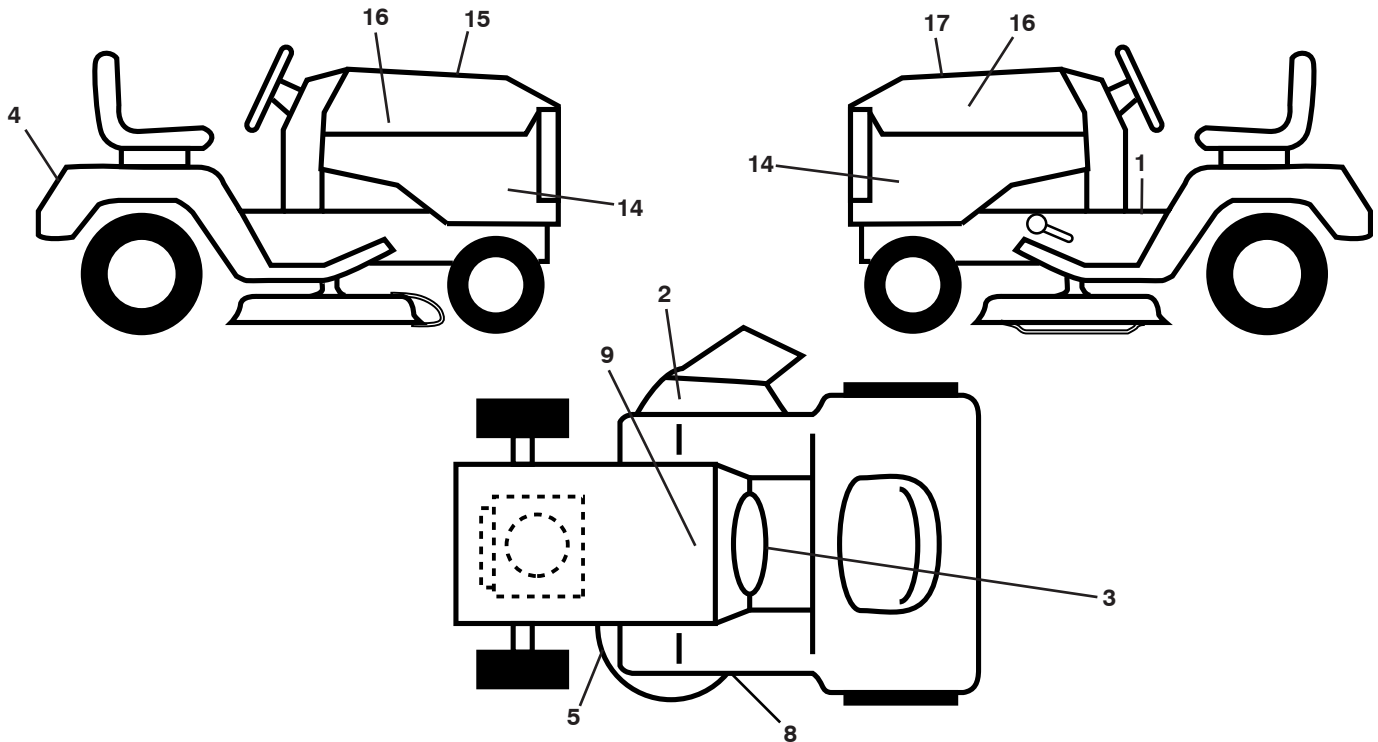
seat-tex_6.5SL_2

KEY NO.	PART NO.	DESCRIPTION
1	532 44 32-63	Seat
2	532 18 01-66	Bracket Pivot Fender
3	532 14 06-75	Strap, Asm Fender
6	873 80 06-00	Nut, Lock w/Ins. 3/8-16 unc
7	532 12 41-81	Spring, Seat Cprsn
8	532 17 18-77	Bolt 5/16-18 unc x 3/4 w/Sems
10	532 19 69-77	Pan, Seat
21	532 17 18-52	Bolt, Shoulder 5/16-18

KEY NO.	PART NO.	DESCRIPTION
37	873 80 05-00	Nut, Lock 5/16-18 unc
40	532 19 76-61	Handle Slide Seat
41	532 19 82-00	Spring Latch Seat
43	874 76 06-12	Bolt 3/8-16 x 3/4
44	819 13 38-12	Washer 13/32 x 2-3/8 x 12 Ga.

NOTE: All component dimensions given in U.S. inches
1 inch = 25.4 mm

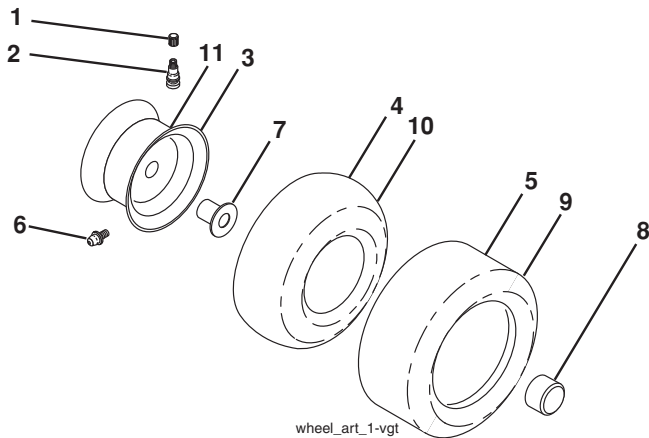
**TRACTOR - MODEL NO. YTH24K48 (96045003502), PRODUCT NO. 960 45 00-35
DECALS**



KEY NO.	PART NO.	DESCRIPTION
1	581 57 87-01	Decal, Operator's
2	581 57 95-01	Decal, Mower Keep Hand Away
3	532 42 41-02	Decal, Warning Spark Arrestor
4	532 19 15-54	Decal, Fender
5	581 72 45-02	Decal, Caution
8	581 58 00-02	Decal, Mower Sch.
9	532 14 50-05	Decal, Battery Dnge/Poi
14	532 44 63-18	Decal, Panel Side
15	532 42 38-29	Decal, Cust. Resp.

KEY NO.	PART NO.	DESCRIPTION
16	581 62 73-01	Decal, Hood Logo
17	532 44 54-67	Decal, Replacement
--	581 72 48-01	Decal, Bypass
--	580 88 58-01	Decal, E85 Warning
--	532 43 96-81	Pad, Footrest, LH
--	532 43 96-82	Pad, Footrest, RH
--	585 82 74-49	Manual, Operator's (Eng/Span)
--	585 82 74-27	Manual, Parts (Eng/Span)

WHEELS AND TIRES



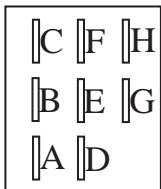
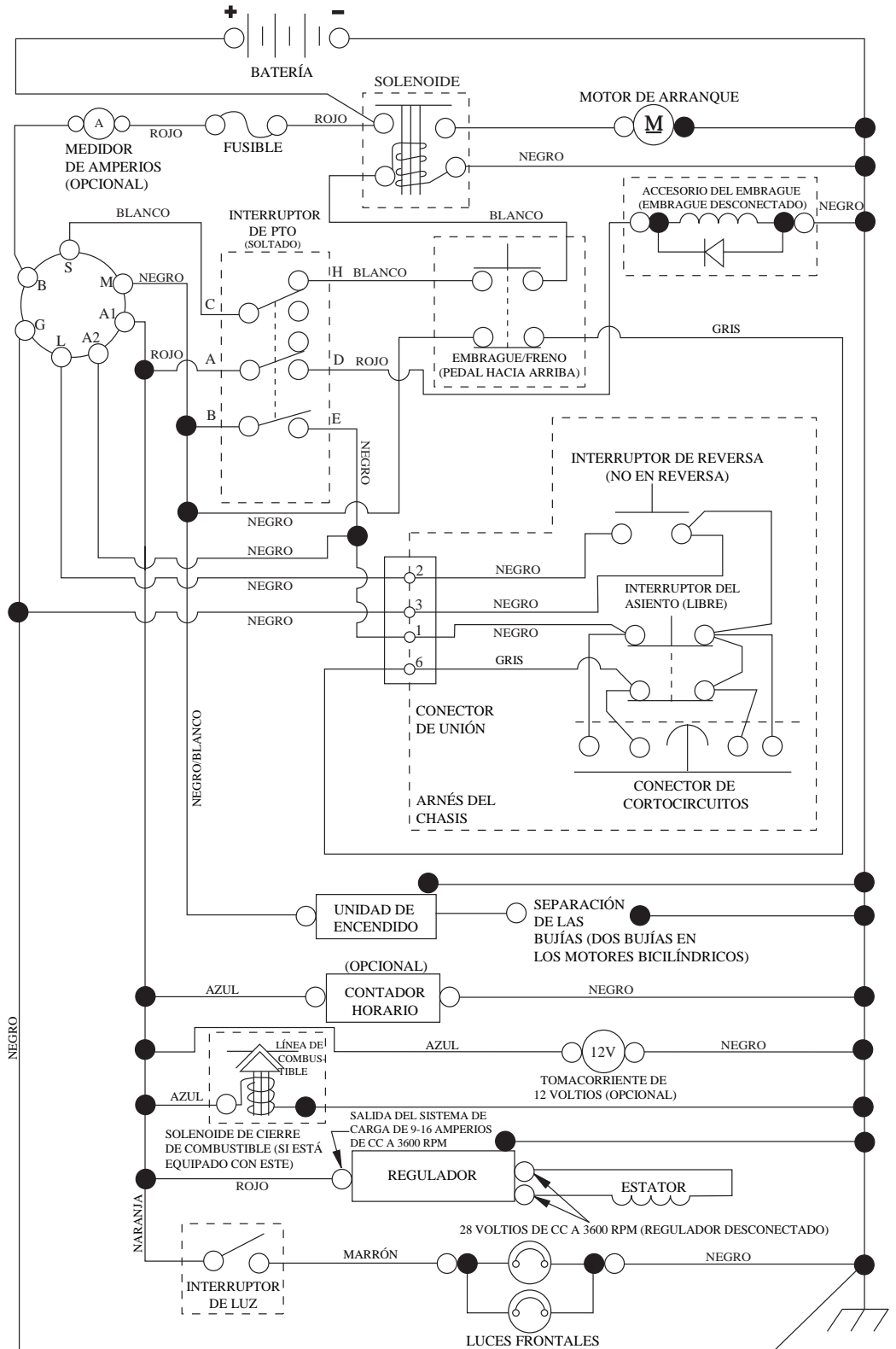
KEY NO.	PART NO.	DESCRIPTION
1	532 05 91-92	Cap, Valve, Tire
2	532 06 51-39	Stem, Valve
3	532 13 83-36	Rim Assembly, Front
4	532 05 99-04	Tube, Front (Service Item Only)
5	532 10 62-22	Tire, Front
6	532 12 49-57	Fitting, Grease (Front Wheel Only)
7	532 12 49-59	Bearing, Flange (Front Wheel Only)
8	532 17 50-39	Cap, Axle
9	532 13 84-68	Tire, Rear
10	532 12 49-26	Tube, Rear (Service Item Only)
11	532 13 83-37	Rim Assembly, Rear
--	532 14 43-34	Sealant, Tire (10 oz. Tube)

NOTE: All component dimensions given in U.S. inches
1 inch = 25.4 mm

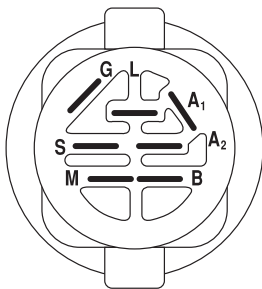
TRACTOR - MODELO NO. YTH24K48 (96045003502), PRODUCT NO. 960 45 00-35

DIAGRAMA

SCH12-s

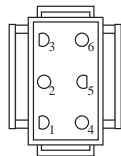


INTERRUPTOR DE PTO
(CARA DE ACOPLAMIENTO)

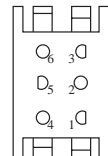


INTERRUPTOR DE ENCENDIDO

POSICIÓN	CIRCUITO «MARCA»
APAGADO	M+G+A1
PONER EN FUNCIONAMIENTO/ANULAR	B+A1
PONER EN FUNCIONAMIENTO	B+A1 L+A2
ARRANCAR	B + S + A1



CONEXIÓN DEL
ARNÉS DEL CHASIS
(LATERAL QUE COINCIDA)



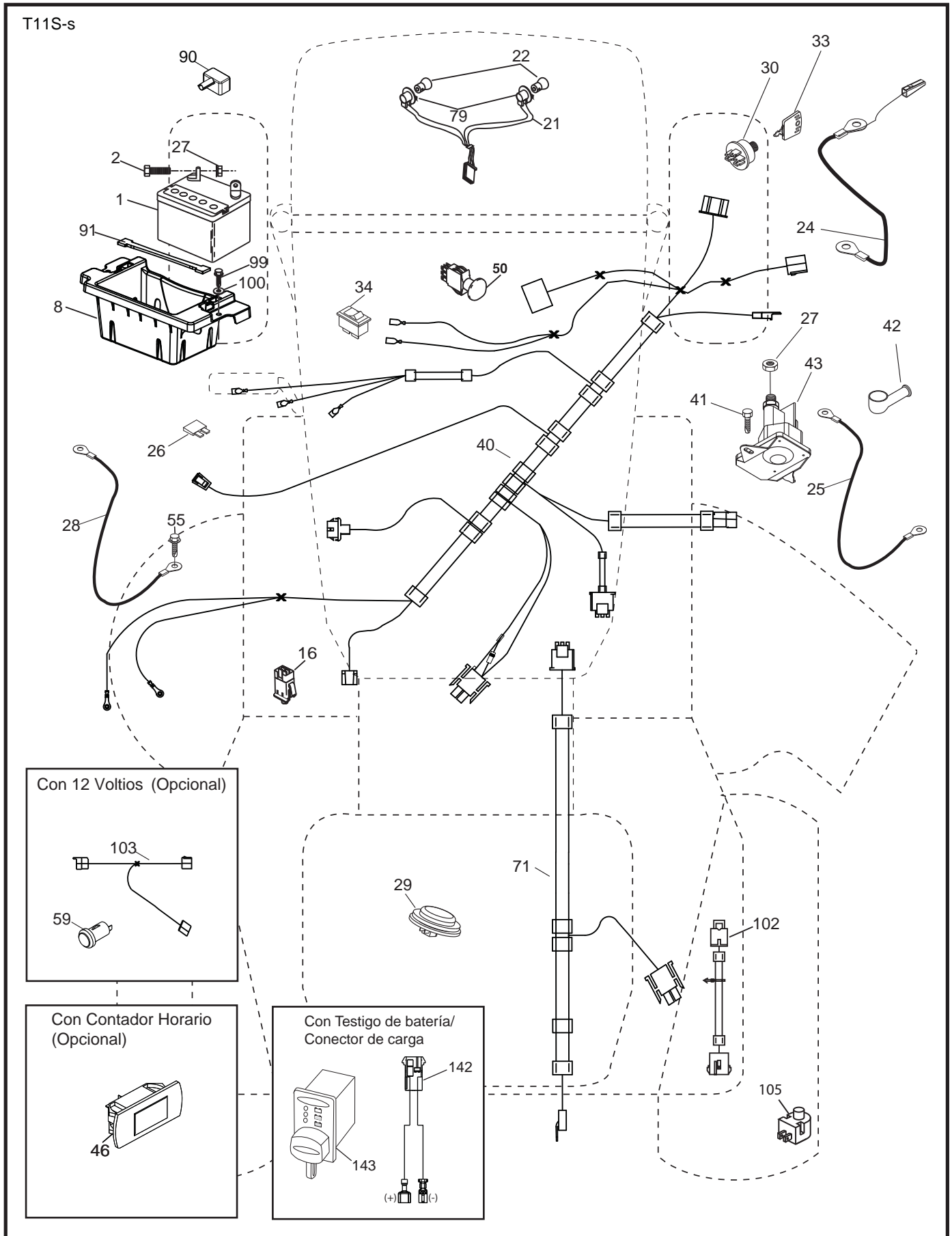
CONEXIÓN PARA EL
ARNÉS DEL TABLERO

NOTA SOBRE LAS ABRAZADERAS DE AISLAMIENTO DEL CABLEADO: SI SE QUITAN LAS ABRAZADERAS DE AISLAMIENTO DEL CABLEADO PARA HACER EL MANTENIMIENTO DE LA UNIDAD, SE LAS DEBERÁ INSTALAR NUEVAMENTE PARA PROTEGER EL CABLEADO ADECUADAMENTE.

● CONEXIONES NO DESMONTABLES

○ CONEXIONES DESMONTABLES

DIAGRAMA ELÉCTRICO

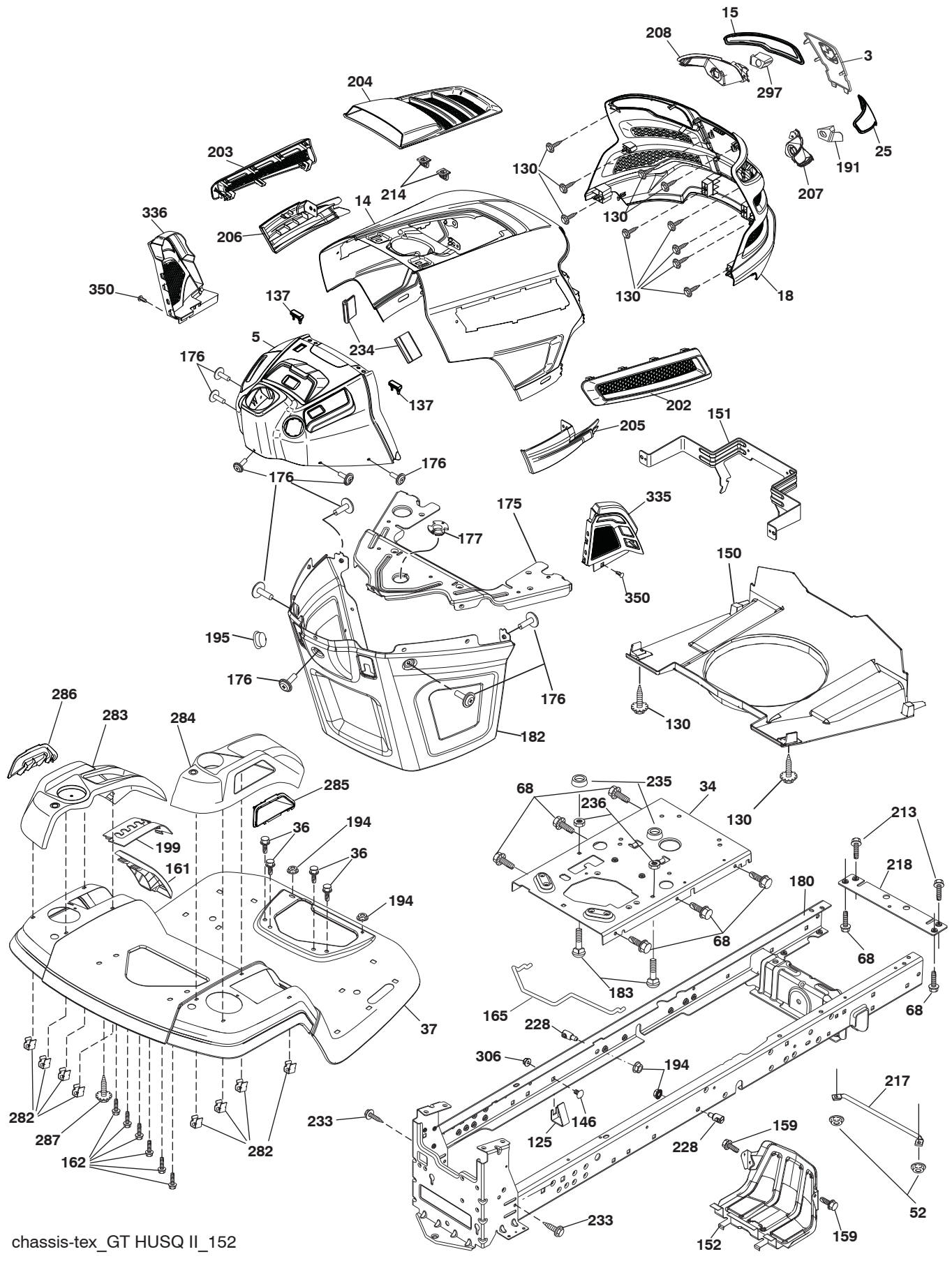


TRACTOR - MODELO NO. YTH24K48 (96045003502), PRODUCT NO. 960 45 00-35
DIAGRAMA ELÉCTRICO

CÓDIGO	PIEZA	DESCRIPCIÓN
No.	No.	
1	532 16 34-65	Batería
2	874 76 04-12	Perno de cabeza hexagonal de 1/4-20 x 3/4
8	532 41 41-25	Caja de la batería
16	532 17 61-38	Interruptor corta corriente a presión
21	532 40 02-52	Cableado del enchufe para la luz
22	532 00 41-52	Bombilla de luz #1156
24	532 40 02-53	Cable
25	585 55 55-01	Cable
26	532 17 51-58	Fusible
27	873 51 04-00	Tuerca hexagonal Keps de 1/4-20 unc
28	532 14 54-91	Cable a tierra 21" negro calibre 6
29	532 40 15-45	Interruptor del asiento
30	532 19 33-50	Interruptor de encendido
33	532 41 19-33	Llave/cadena
34	532 11 07-12	Interruptor de luz/de restauración
40	532 40 11-04	Cableado del tablero de encendido
41	817 72 04-08	Tornillo
42	532 13 15-63	Cubierta de la terminal, rojo
43	532 19 25-07	Solenoides
46	532 40 17-63	Indicador SRVCMNDR HRMTR
50	532 19 61-12	Interruptor PTO
55	817 06 05-12	Tornillo 5/16-18 x 3/4
71	532 19 42-76	Cableado del tablero
79	532 17 52-42	Enchufe de cierre por torsión del ensamble de la bombilla
90	532 43 53-95	Tapa de los bornes de la batería
91	532 19 02-70	Correa de batería
99	817 67 04-12	Tornillo 1/4-20 x 3/4
100	819 09 14-16	Arandela 9/32 x 7/8 x 16 Ga.
102	532 40 44-54	Cableado
105	532 40 75-68	Interruptor para retroceder TT control del pedal

NOTA: Las dimensiones de todos los componentes están expresadas en pulgadas americanas. 1 pulgada = 25,4 mm

TRACTOR - MODELO NO. YTH24K48 (96045003502), PRODUCT NO. 960 45 00-35
CHASIS



chassis-tex_GT HUSQ II_152

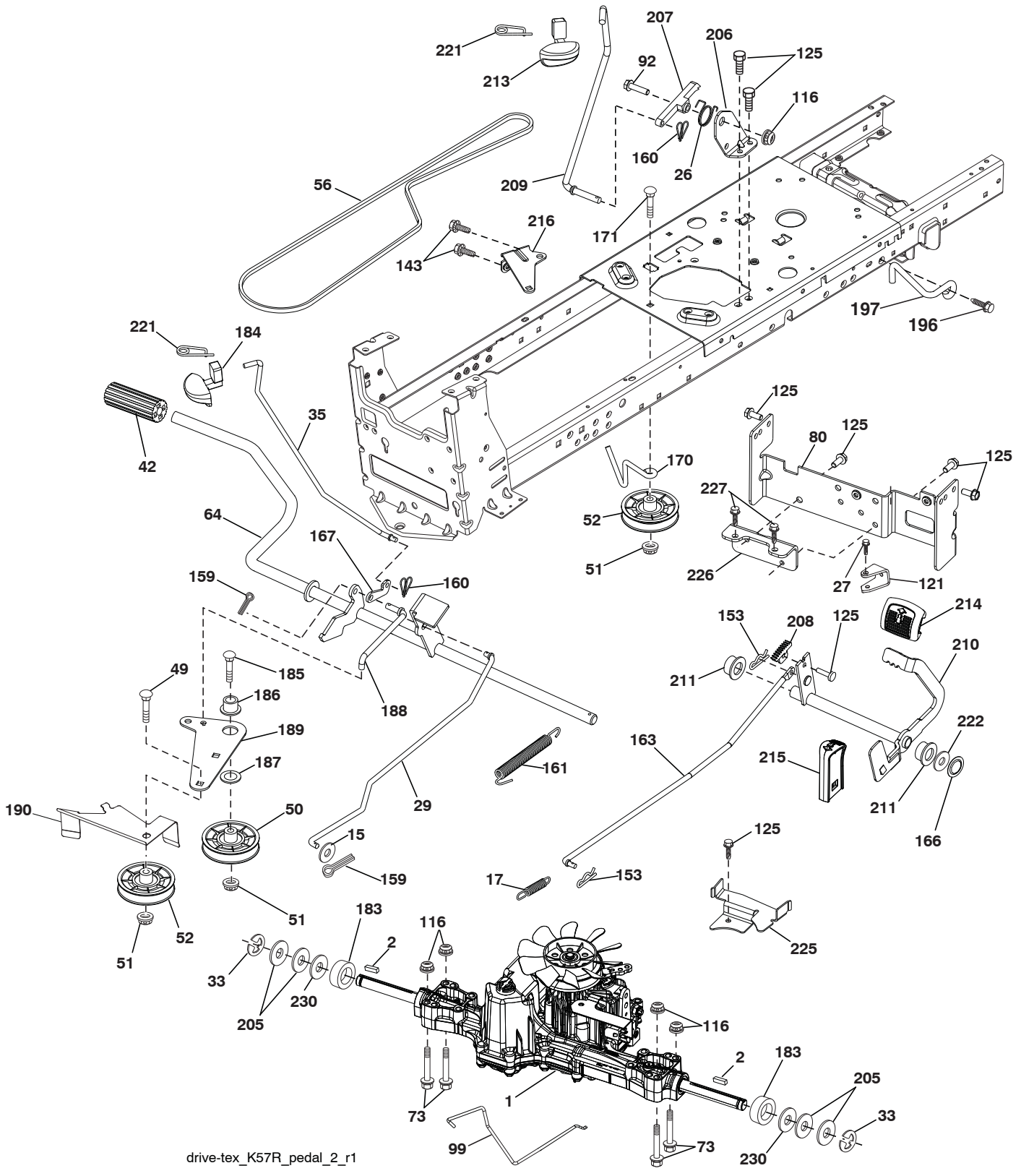
TRACTOR - MODELO NO. YTH24K48 (96045003502), PRODUCT NO. 960 45 00-35

CHASIS

CÓDIGO No.	PIEZA No.	DESCRIPCIÓN	CÓDIGO No.	PIEZA No.	DESCRIPCIÓN
3	532 43 97-52	Logo	202	532 43 97-28	Salida de Ventilación (LD)
5	532 43 74-80	Tablero	203	532 43 97-27	Salida de Ventilación (LI)
14	532 44 11-77	Capota	204	532 43 57-14	Salida de Ventilación superior
15	532 43 97-33	Lente izquierdo de la parrilla	205	532 43 97-30	Camisa de Capota (LD)
18	532 44 06-53	Parrilla	206	532 43 97-29	Camisa de Capota (LI)
25	532 44 33-85	Lente derecho de la parrilla	207	532 43 97-34	Bisel derecho (LD)
34	580 91 08-01	Chapa Motor	208	532 43 97-35	Bisel izquierdo (LI)
36	817 06 05-12	Tornillo de 5/16-18 x 3/4	213	874 76 05-12	Perno 5/16-18 unc x 3/4
37	532 44 11-78	Guardabarros	214	532 19 91-45	Cierre
52	873 68 05-00	Tuerca de presión 5/16-18	217	532 40 91-67	Varilla giratoria
68	817 49 05-08	Tornillo de 5/16-18 x 1/2	218	532 19 63-95	Tope
125	581 68 48-01	Soporte	228	532 19 51-61	Sujetador del travesaño
130	532 41 63-58	Tornillo No. 10 x 0,75	233	532 19 65-39	Tornillo
137	532 40 75-90	Cubierta Tablero	234	532 40 47-42	Cubierta Capota
146	581 85 79-01	Perno	235	532 40 61-29	Separador del guardabarros
150	532 43 97-74	Cubierta térmica del conducto	236	873 93 05-00	Tuerca de presión 5/16-18 unc
151	532 43 66-70	Soporte pivotante	282	532 41 41-10	Abrazadera de retención
152	532 43 98-70	Protector contra oscurecimiento	283	532 43 98-61	Ensamble de la consola de la plataforma de elevación
159	817 00 06-12	Tornillo 3/8-16 x 3/4			Consola
161	532 43 97-81	Ventana de combustible	284	532 43 98-23	Inserto del Consola (LD)
162	532 14 24-32	Tornillo	285	532 41 63-15	Inserto del Consola (LI)
165	532 19 68-26	Tanque de combustible, trasero	286	532 41 63-17	Tornillo 1/4 - 20 x 3/8
175	532 19 63-04	Travesaño	287	817 60 04-06	Parrilla reflectora LI
176	532 40 07-76	Tornillo 10-24 x 5/8	297	532 43 74-56	Tuerca
177	532 19 52-27	Buje de dirección	306	873 90 06-00	Cubierta LD
180	532 19 54-57	Chasis	335	532 44 82-04	Cubierta LI
182	532 40 68-59	Tablero inferior	336	532 44 53-09	Clip del árbol de navidad
183	874 52 05-20	Perno 5/16-18 x 1-1/4	350	532 44 51-43	
191	532 43 74-55	Parrilla reflectora LD			
194	873 90 05-00	Tuerca de presión de 5/16-18			
195	532 40 41-37	Tapón			
199	532 41 34-85	Chapa			

NOTA: Las dimensiones de todos los componentes están expresadas en pulgadas americanas. 1 pulgada = 25,4 mm

TRACTOR - MODELO NO. YTH24K48 (96045003502), PRODUCT NO. 960 45 00-35
TRANSMISIÓN



drive-tex_K57R_pedal_2_r1

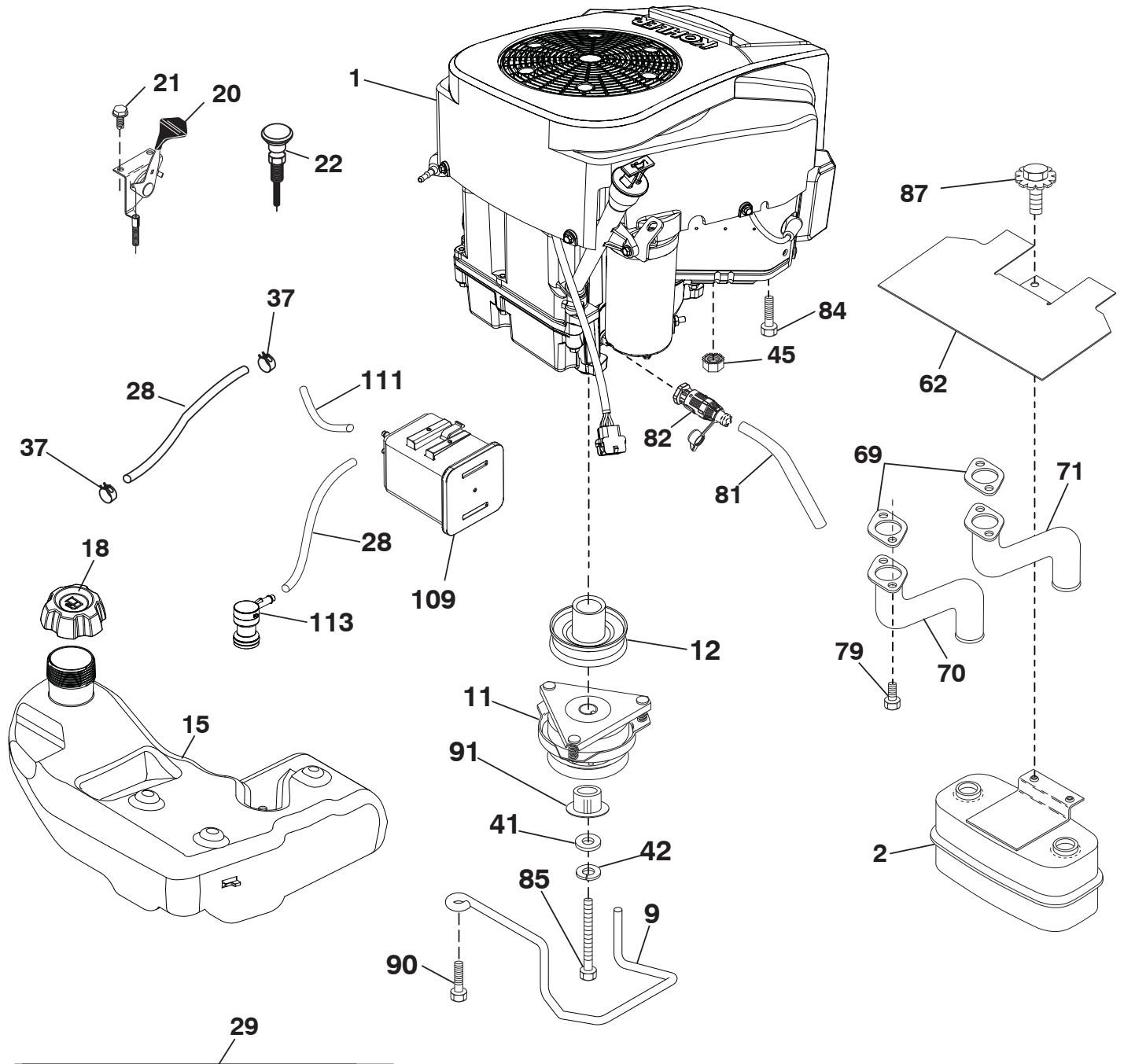
TRACTOR - MODELO NO. YTH24K48 (96045003502), PRODUCT NO. 960 45 00-35

TRANSMISIÓN

CÓDIGO No.	PIEZA No.	DESCRIPCIÓN	CÓDIGO No.	PIEZA No.	DESCRIPCIÓN
1	---	Transeje, TUFFTORQ K57R (437814) (Haga el pedido de las piezas al fabricante del transeje)	183	532 13 70-57	Espaciador
2	532 12 35-83	Cuña	184	532 44 14-55	Manija del freno de mano
15	819 13 13-16	Arandela de 13/32 x 13/16 x calibre 16	185	872 11 06-22	Perno 3/8-16 x 2-3/4 Gr. 5
17	532 41 36-78	Resorte de freno	186	532 19 43-21	Espaciador
26	532 19 96-79	Crucero con retorno de muelle	187	819 13 32-10	Arandela
27	817 49 05-28	Tornillo 5/16-18 x 1-3/4	188	532 19 43-23	Mecanismo de desplazamiento de la varilla de mando del embrague
29	532 40 38-06	Varilla del freno	189	532 19 43-17	Palanca acodada del mecanismo de desplazamiento
33	812 00 00-01	Aro "E"	190	532 19 43-18	Sujetador de la palanca acodada del mecanismo de desplazamiento
35	583 86 45-01	Varilla del freno de mano	196	817 00 06-16	Tornillo 3/8-16 x 1
42	532 12 48-72	Cubierta del pedal	197	532 19 58-04	Soporte
49	872 11 06-14	Perno	205	532 12 17-48	Arandela
50	532 19 43-27	Polea loca plana	206	532 44 85-96	Soporte de montaje del bloqueo del crucero
51	873 90 06-00	Tuerca de presión de 3/8-16	207	532 19 78-68	Bloqueo del control del crucero
52	532 19 43-26	Polea loca con ranura en V con un desplazamiento	208	532 19 78-69	Engranaje del sector de control del crucero
56	532 13 09-69	Correa trapezoidal de la transmisión	209	532 19 95-92	Varilla de control del crucero
64	532 19 78-65	Ensamble del eje control del pedal de freno	210	532 40 09-80	Ensamble del balancín del control del pedal
73	874 49 05-40	Perno de 5/16-18 x 2 1/2 G5	211	532 12 01-83	Rodamiento de nylon
80	532 44 06-19	Correa de torsión	213	532 40 31-19	Perilla de control del crucero
92	874 76 05-20	Perno 5/16-18 unc x 1.25	214	532 42 12-63	Forro del pedal para avanzar
99	532 41 57-42	Varilla	215	532 40 17-23	Forro del pedal para retroceder
116	873 90 05-00	Tuerca de presión hexagonal con brida de 5/16-18	216	532 19 61-31	Soporte del Polea
121	532 43 76-84	Soporte de torsión	221	532 40 31-87	Abrazadera de retención del resorte de la manija
125	817 00 05-12	Tornillo 5/16-18 x 3/4	222	879 21 20-10	Arandela 21/32 x 1-1/4 x calibre 10
143	817 49 05-08	Tornillo 5/16-18 x 1/2	225	532 40 33-19	Sujetador de la correa
153	532 12 47-88	Retén del resorte	226	532 40 15-64	Soporte de montaje del torsión
159	876 02 04-12	Pasador de chaveta de 1/8 x 3/4	227	817 49 05-12	Tornillo 5/16-18 x 3/4
160	532 16 94-84	Abrazadera de retención	230	532 18 89-67	Arandela
161	532 10 57-09	Resorte de retorno del embrague			
163	532 44 82-75	Varilla de control del pedal			
166	532 42 91-64	Tuerca de presión			
167	532 40 52-57	Pestillo del freno de mano			
170	532 19 43-22	Sujetador			
171	872 11 06-16	Perno 3/8-16 unc x 2			

NOTA: Las dimensiones de todos los componentes están expresadas en pulgadas americanas. 1 pulgada = 25,4 mm

TRACTOR - MODELO NO. YTH24K48 (96045003502), PRODUCT NO. 960 45 00-35
 MOTOR



EQUIPO APAGACHISPAS

Engine-tex_Kohl-2cyl_15

**TRACTOR - MODELO NO. YTH24K48 (96045003502), PRODUCT NO. 960 45 00-35
MOTOR**

CÓDIGO NO.	PIEZA NO.	DESCRIPCIÓN
1	---	Motor Kohl modelo No. SV725-3028 (445981) (Haga el pedido de las piezas al fabricante del motor.)
2	532 44 59-62	Silenciador
9	584 90 80-01	Ensamble del sujetador de la correa del motor
11	532 40 00-08	Embrague eléctrico
12	532 40 50-97	Polea del motor
15	532 41 41-51	Tanque de combustible
18	532 43 92-08	Ensamble de la tapa
20	532 18 29-37	Control del regulador
21	532 41 63-58	Tornillo #10 x 0.750
22	532 19 15-96	Control del obturador
28	532 40 11-35	Línea de combustible
29	532 13 71-80	Equipo apagachispas
37	532 12 34-87	Abrazadera de la manguera
41	532 12 61-97	Arandela 1-1/2 OD x 15/32 ID x .250
42	810 04 07-00	Arandela 7/16
45	873 51 04-00	Tuerca 1/4-20 unc
62	532 43 40-17	Silenciador con pantalla térmica
69	532 18 60-54	Junta
70	532 14 66-99	Tubo de escape LI
71	532 14 67-00	Tubo de escape LD
79	532 19 23-34	Tornillo 5/16-18 x .75
81	532 14 84-56	Tubo de fácil drenaje de aceite
82	532 42 82-87	Aceite drenaje válvula
84	817 12 06-16	Tornillo 3/8-16 x 1
85	532 17 39-37	Perno 7/16-20 x 4 Gr. 5
87	532 17 18-77	Perno 5/16-18 unc x 1
90	817 00 06-16	Tornillo 3/8-16 x 1
91	532 18 79-45	Buje
109	532 41 41-14	Bote
111	532 42 07-18	Línea de purge
113	532 41 41-27	Válvula

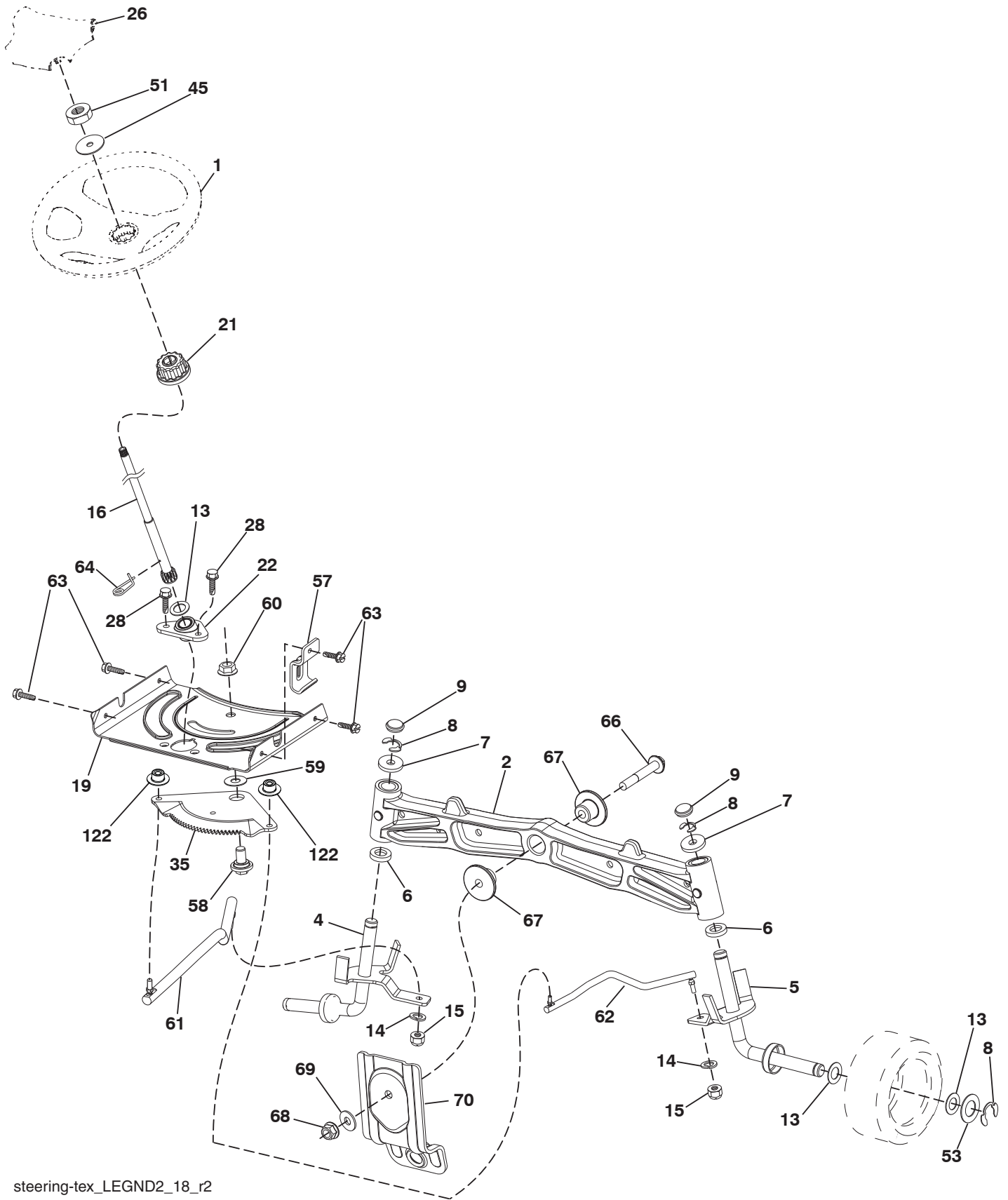
NOTA: Las dimensiones de todos los componentes están expresadas en pulgadas americanas. 1 pulgada = 25,4 mm

Para el servicio de motor y repuestos, llame el número de llamada gratuita para su fabricante de motor listó abajo:

Kohler Co.

1-800-544-2444

TRACTOR - MODELO NO. YTH24K48 (96045003502), PRODUCT NO. 960 45 00-35
ENSAMBLE DE LA DIRECCIÓN



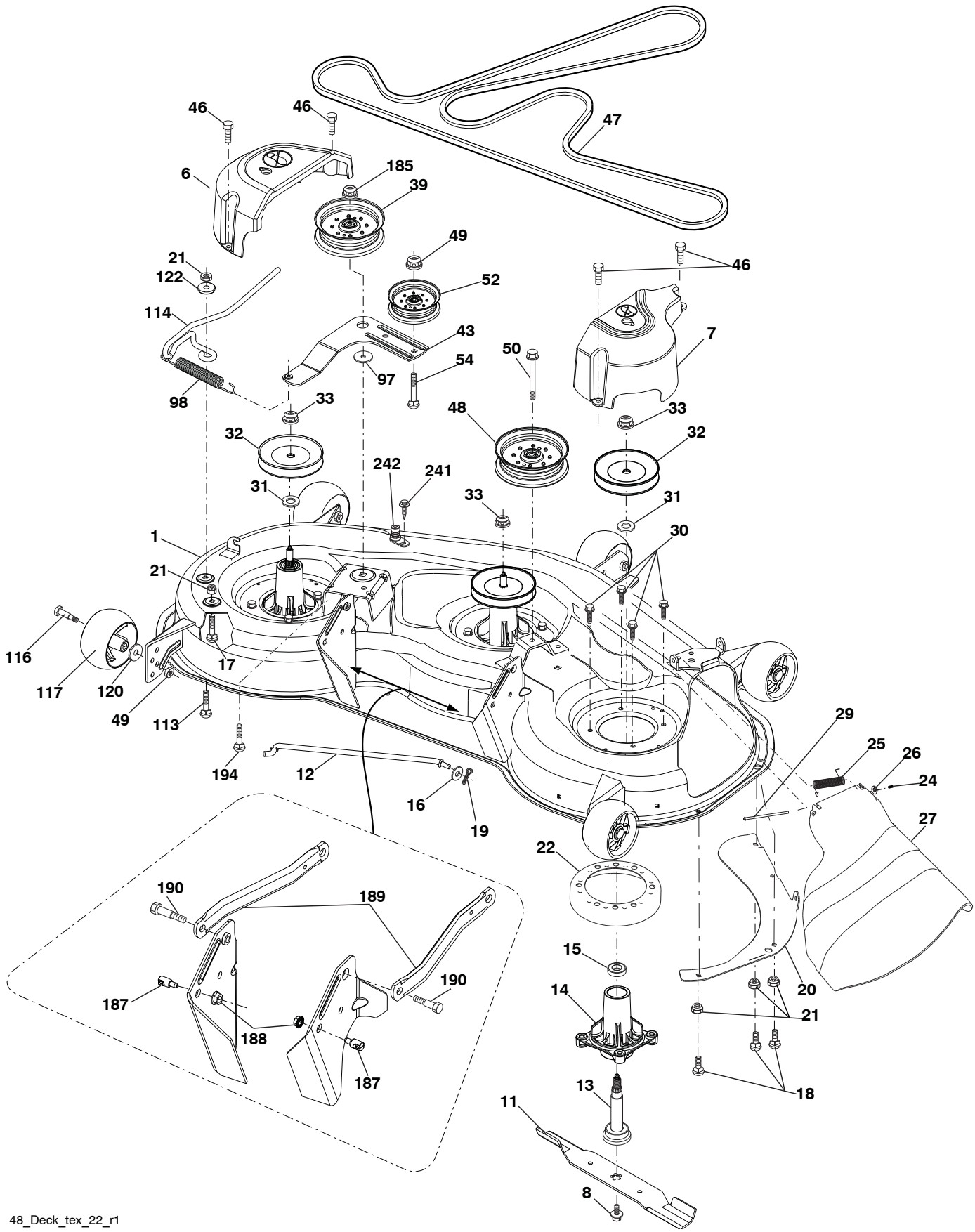
steering-tex_LEGND2_18_r2

TRACTOR - MODELO NO. YTH24K48 (96045003502), PRODUCT NO. 960 45 00-35
ENSAMBLE DE LA DIRECCIÓN

CÓDIGO PIEZA		DESCRIPCIÓN
No.	No.	
1	532 43 97-40	Volante de dirección
2	532 19 59-68	Eje delantero
4	532 40 30-87	Ensamble del husillo izquierdo
5	532 40 30-88	Ensamble del husillo derecho
6	532 12 49-31	Pista del rodamiento para reforzar el impulso
7	532 12 17-48	Arandela 25/32 x 1-5/8 x calibre 16
8	812 00 00-29	Abrazadera del aro No. T5304-75
9	532 12 12-32	Tapa del husillo
13	532 12 17-49	Arandela 25/32 x 1-1/4 x calibre 16
14	810 04 06-00	Arandela 3/8
15	873 54 06-00	Tuerca corona de presión de 3/8-24 unf
16	532 40 82-19	Eje de dirección
19	532 19 47-29	Placa de dirección
21	532 18 67-37	Adaptador del volante de dirección
22	532 42 05-37	Dirección de soporte
26	532 43 97-43	Inserto del volante de dirección
28	817 00 06-12	Tornillo 3/8-16 x 3/4
35	532 19 47-32	Engranaje del sector de la placa
45	819 18 38-12	Arandela 9/16 x 2-3/8 x calibre 12
51	873 94 08-00	Tuerca de presión de 1/2-20 unf
53	532 18 89-67	Arandela .793 x 1.637 x .060
57	532 19 72-46	Tope superior del soporte
58	532 19 47-47	Perno de tope del sector del pivote CFM
59	532 19 47-48	Arandela de empuje del sector de dirección
60	873 97 10-00	Tuerca de presión con brida de 5/8-11
61	532 19 47-40	Barra de acoplamiento izquierda
62	532 19 47-41	Barra de acoplamiento derecha
63	817 00 05-12	Tornillo 5/16-18 x 3/4
64	532 19 98-49	Abrazadera de retención del resorte de la dirección
66	871 02 07-48	Perno de cabeza 7/16-14 x 3
67	532 19 47-37	Buje PM del eje delantero
68	873 90 07-00	Tuerca de presión con brida de 7/16-14 grado 5
69	532 19 91-62	Arandela 1.5 x .505 x .118
70	532 19 61-97	Soporte de la plataforma delantera
122	532 44 49-62	Tapa

NOTA: Las dimensiones de todos los componentes están expresadas en pulgadas americanas. 1 pulgada = 25,4 mm

TRACTOR - MODELO NO. YTH24K48 (96045003502), PRODUCT NO. 960 45 00-35
PLATAFORMA DE LA CORTADORA DE CÉSPED



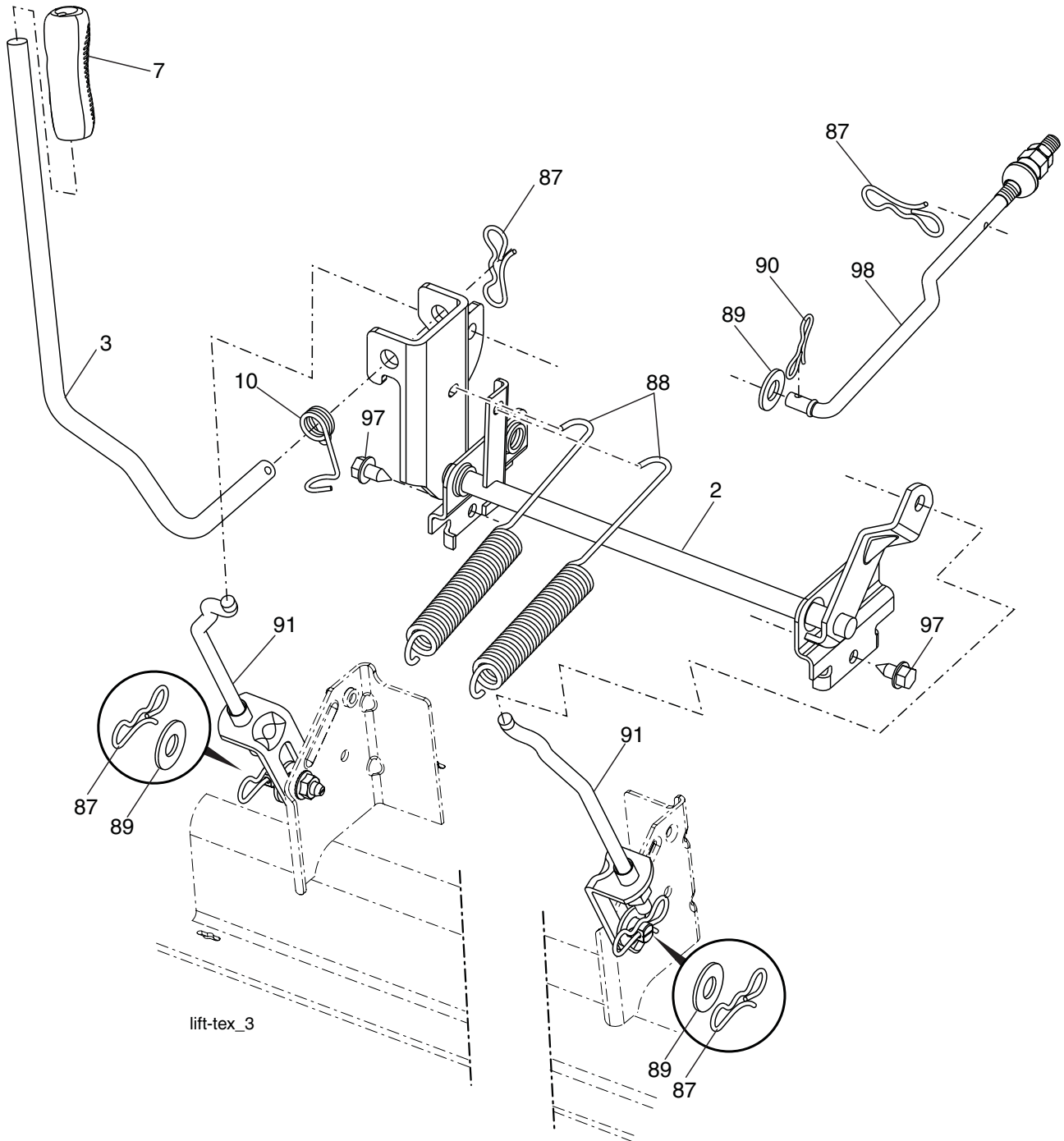
48_Deck_tex_22_r1

TRACTOR - MODELO NO. YTH24K48 (96045003502), PRODUCT NO. 960 45 00-35
PLATAFORMA DE LA CORTADORA DE CÉSPED

CÓDIGO PIEZA			CÓDIGO PIEZA		
No.	No.	DESCRIPCIÓN	No.	No.	DESCRIPCIÓN
1	532 44 12-93	Carcasa de la cortadora de césped	52	532 19 31-97	Polea loca primaria 48"
6	532 19 72-48	Cubierta izquierda del mandril	54	872 11 06-12	Perno 3/8-16 x 1-1/2 Gr. 5
7	532 19 91-02	Cubierta derecha del mandril	97	532 17 85-15	Arandela
8	532 19 30-03	Perno de cuchilla 7/16	98	532 19 61-05	Accionamiento por resortes
11	532 18 00-54	Cuchilla de la cortadora	113	872 11 05-08	Perno 5/16-18 x 3/4
12	532 40 48-51	Varilla	114	532 19 74-51	Varilla
13	532 18 72-91	Ensamble del eje. con rodamiento inferior	116	532 19 34-06	Perno de tope
14	532 18 72-81	Carcasa del mandril	117	532 17 48-73	Calibrador de la rueda
15	532 11 04-85	Rodamiento de bolas del mandril	120	819 13 20-12	Arandela 13/32 x 1-1/4 x calibre 12
16	819 13 13-12	Arandela 13/32 x 13/16 x calibre 12	122	532 18 75-57	Buje
17	872 11 05-05	Perno 5/16-18 x 5/8	185	873 90 07-00	Tuerca de presión con brida 7/16-14 Gr. 5
18	872 14 05-05	Perno 5/16-18 unc x 5/8	187	532 19 51-61	Sujetador del travesaño
19	532 19 42-08	Pasador de chaveta de 5/16 con bloqueo en forma de mariposa	188	873 90 05-00	Tuerca de presión hexagonal con brida
20	532 17 43-78	Torbellino de deflector	189	532 19 51-85	Brazo de la suspensión trasera
21	873 68 05-00	Tuerca 5/16-18 unc	190	532 19 65-39	Perno de tope
22	532 17 44-93	Separador de mandril	194	874 49 07-36	Perno 7/16-24
24	532 10 53-04	Tapa de la manga	241	532 15 29-27	Tornillo TT #10-32.5 3/8
25	532 17 81-02	Resorte de torsión	242	532 41 55-98	Puerto de Lavado de la Cubierta
26	532 11 04-52	Tuerca	--	532 18 72-92	Ensamble del Mandril (solo incluye la carcasa (#14), el ensamble del eje (#13) y el rodamiento (#15); no incluye la polea/tuerca/arandela ni los pernos/arandelas de la cuchilla)
27	532 18 17-07	Protector del deflector	--	532 41 82-23	Accesorio del conexión
29	532 13 14-91	Varilla de la bisagra	--	532 40 12-38	Reemplazo de la cortadora de césped, completa
30	532 17 39-84	Tornillo con cabeza de arandela			
31	532 18 76-90	Arandela del separador			
32	532 15 35-32	Polea del mandril			
33	532 40 02-34	Tuerca de presión con brida			
39	532 19 73-80	Polea loca 4.50			
43	532 19 60-65	Brazo de la polea			
46	532 13 77-29	Tornillo 1/4-20 x 5/8			
47	532 19 72-42	Correa de la transmisión			
48	532 19 73-79	Polea loca 4.50 RAW			
49	873 90 06-00	Tuerca de presión con brida 3/8-16 unc			
50	817 49 06-36	Tornillo TT 3/8-16 x 2-1/4			

NOTA: Las dimensiones de todos los componentes están expresadas en pulgadas americanas. 1 pulgada = 25,4 mm

TRACTOR - MODELO NO. YTH24K48 (96045003502), PRODUCT NO. 960 45 00-35
ELEVACIÓN DE LA CORTADORA DE CÉSPED

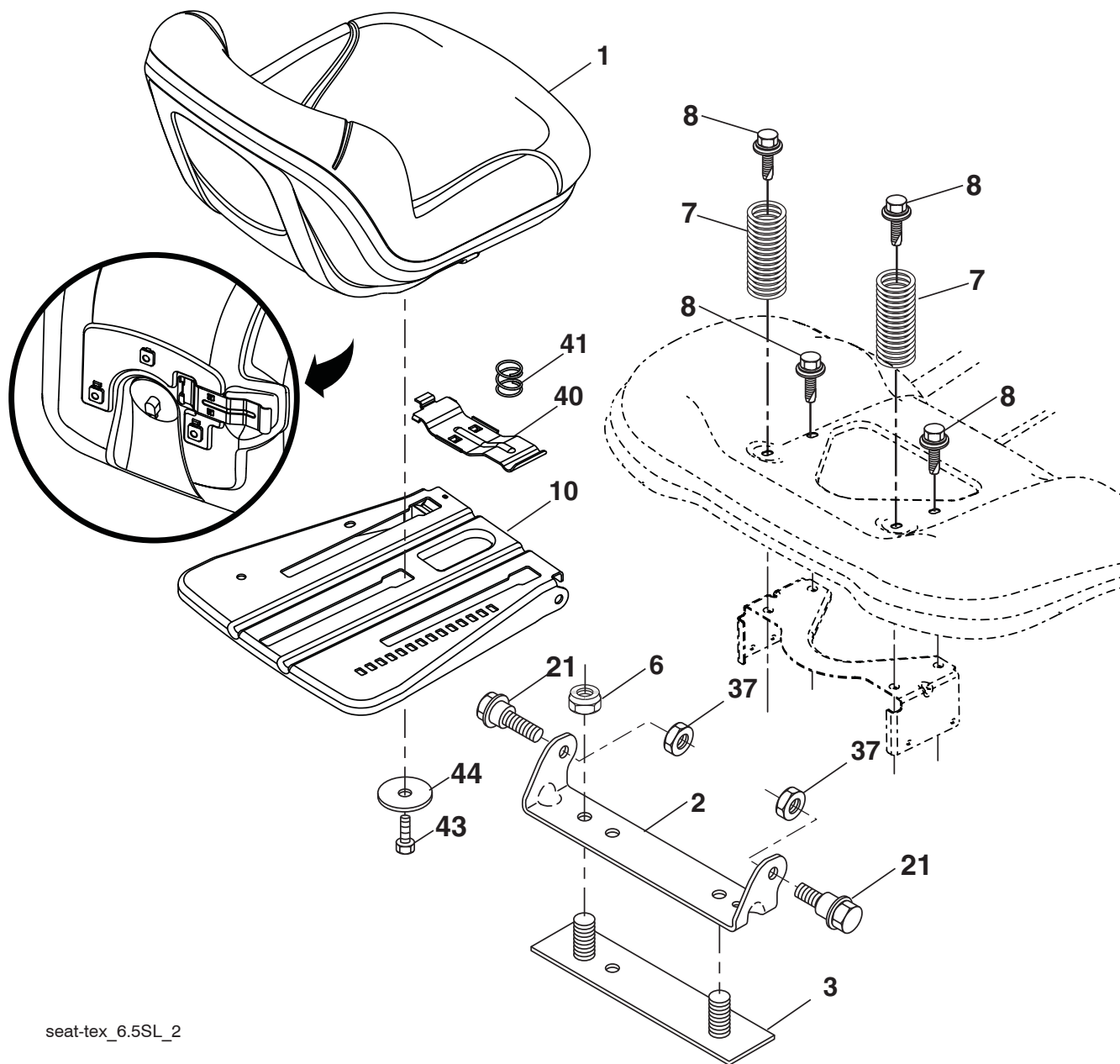


CÓDIGO No.	PIEZA No.	DESCRIPCIÓN
2	532 42 20-27	Ensamble del eje de la elevación
3	532 19 52-31	Ensamble de la palanca de elevación derecha
7	580 96 23-01	Mango de la palanca
10	532 19 63-14	Resorte de torsión
87	532 19 42-09	Pasador de chaveta de 7/16 con bloqueo en forma de mariposa
88	532 41 07-10	Resorte de ayuda de la elevación
89	819 19 19-12	Arandela de zinc transparente

CÓDIGO No.	PIEZA No.	DESCRIPCIÓN
90	532 19 42-08	Pasador de chaveta de 5/16 con bloqueo en forma de mariposa
91	532 19 51-81	Ensamble del acoplamiento
97	817 00 06-12	Tornillo de 3/8-16 x 0,75
98	532 19 52-64	Acoplamiento frontal de la elevación de la cortadora de césped

NOTA: Las dimensiones de todos los componentes están expresadas en pulgadas americanas. 1 pulgada = 25,4 mm

TRACTOR - MODELO NO. YTH24K48 (96045003502), PRODUCT NO. 960 45 00-35
ENSAMBLE DEL ASIENTO



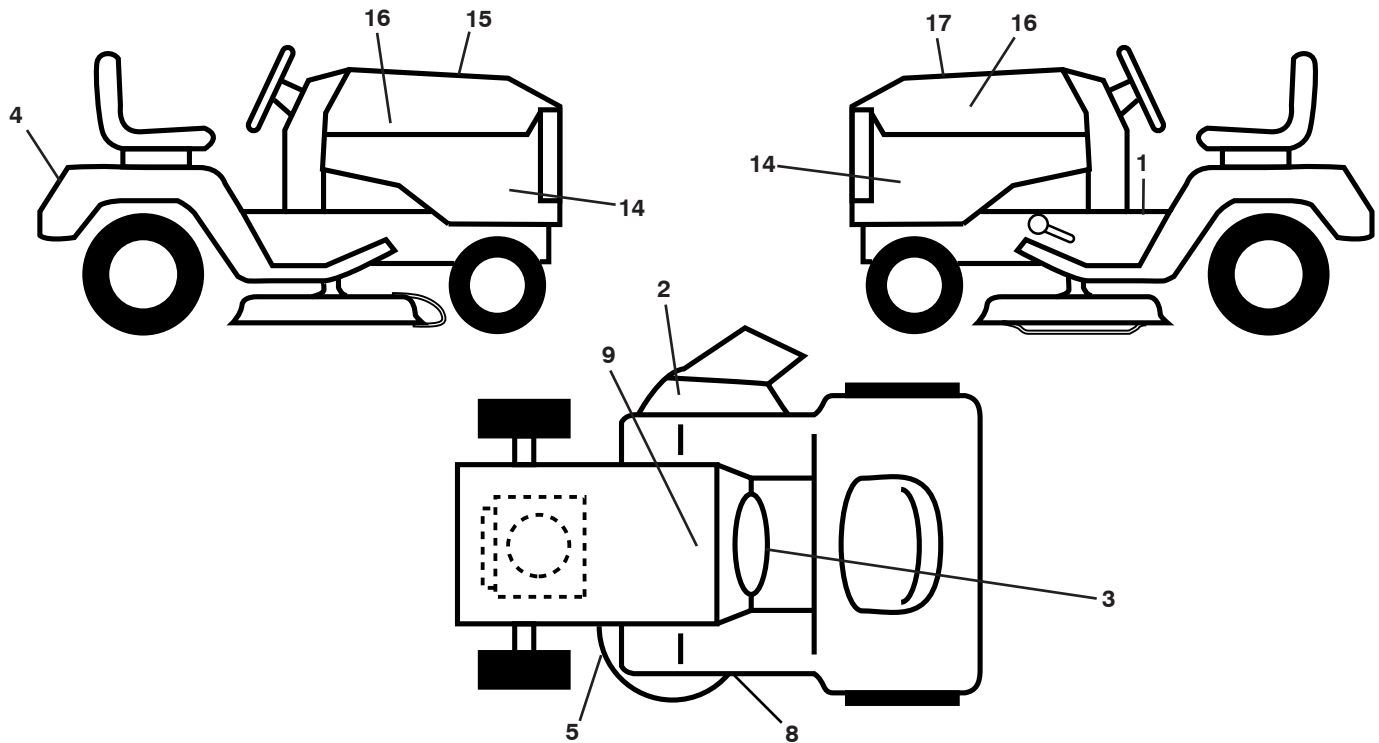
seat-tex_6.5SL_2

CÓDIGO No.	PIEZA No.	DESCRIPCIÓN	CÓDIGO No.	PIEZA No.	DESCRIPCIÓN
1	532 44 32-63	Asiento	21	532 17 18-52	Perno de tope de 5/16-18
2	532 18 01-66	Soporte pivotante del guardabarros	37	873 80 05-00	Tuerca de presión de 5/16-18 unc
3	532 14 06-75	Conector del ensamble del guardabarros	40	532 19 76-61	Manija para deslizar el asiento
6	873 80 06-00	Tuerca de presión c/aislamiento de 3/8-16 unc	41	532 19 82-00	Resorte para trabar el asiento
7	532 12 41-81	Resorte del asiento	43	874 76 06-12	Perno de cabeza hexagonal con aleta de 3/8-16 unc x 3/4
8	532 17 18-77	Perno de 5/16" unc x 3/4"	44	819 13 38-12	Arandela de 13/32x2-3/8 calibre 12
10	532 19 69-77	Bandeja del asiento			

NOTA: Las dimensiones de todos los componentes están expresadas en pulgadas americanas. 1 pulgada = 25,4 mm

TRACTOR - MODELO NO. YTH24K48 (96045003502), PRODUCT NO. 960 45 00-35

CALCOMANÍAS



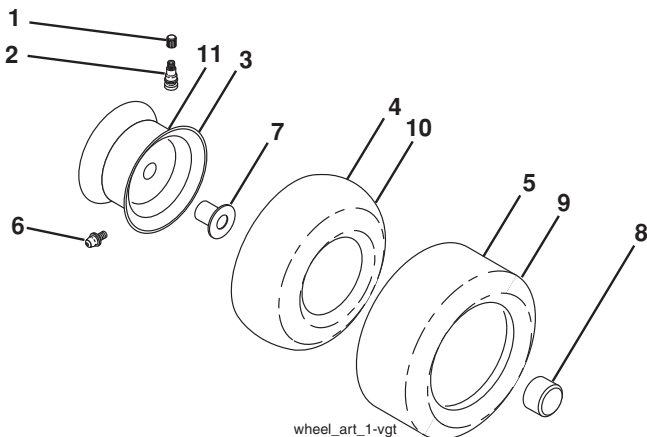
CÓDIGO PIEZA

No.	No.	DESCRIPCIÓN
1	581 57 87-01	Calcomanía para el guardabarros del operario
2	581 57 95-01	Calcomanía para el mantenga mano lejos
3	532 42 41-02	Calcomanía del equipo apagachispas
4	532 19 15-54	Calcomanía para el guardabarros
5	581 72 45-02	Calcomanía precaución
8	581 58 00-02	Calcomanía del diagrama de la cortadora de césped
9	532 14 50-05	Calcomanía de Peligro/Punto de interconexión

CÓDIGO PIEZA

No.	No.	DESCRIPCIÓN
14	532 44 63-18	Calcomanía para el panel lateral
15	532 42 38-29	Calcomanía responsabilidad del cliente
16	581 62 73-01	Calcomanía para el logo de la capota
17	532 44 54-67	Calcomanía de reemplazo
--	581 72 48-01	Calcomanía para la desviación
--	580 88 58-01	Calcomanía E85 advertencia
--	532 43 96-81	Forro del apoyo para los pies (LI)
--	532 43 96-82	Forro del apoyo para los pies (LD)
--	585 82 74-49	Manual del Operario (Inglés/Español)
--	585 82 74-27	Manual De Repuestos (Inglés/Español)

RUEDAS Y NEUMÁTICOS



CÓDIGO PIEZA

No.	No.	DESCRIPCIÓN
1	532 05 91-92	Tapa de la válvula del neumático
2	532 06 51-39	Vástago de la válvula
3	532 13 83-36	Ensamble de las llantas delanteras
4	532 05 99-04	Cámara delantera (Mantenimiento sólo)
5	532 10 62-22	Neumático delantero
6	532 12 49-57	Accesorio para engrasar (solo para la rueda delantera)
7	532 12 49-59	Rodamiento de la brida (solo para la rueda delantera)
8	532 17 50-39	Tapa del eje
9	532 13 84-68	Neumático trasero
10	532 12 49-26	Cámara trasera (Mantenimiento sólo)
11	532 13 83-37	Ensamble trasero de la llanta
--	532 14 43-34	Sellador para neumáticos (tubo de 10 onzas [283 gr])

NOTA: Las dimensiones de todos los componentes están expresadas en pulgadas americanas. 1 pulgada = 25,4 mm

SERVICE NOTES / AVISO

01/16/2014 JM