

**Repair Parts Manual**  
**Manuel De Pièces De Rechange**  
**GT52XLSi / 96048006600**

Please read the operator's manual carefully and make sure  
you understand the instructions before using the machine.

Lisez très attentivement et soyez certain de comprendre  
ces instructions avant d'utiliser cette machine.



**English/French**

**586 38 23-24**



# HOW TO USE THIS MANUAL

This manual is designed to provide the customer with a means to identify the parts on his/her tractor when ordering repair parts. The illustrations may or may not represent the actual assemblies; therefore, it is not recommended to use this manual as a guide to assemble or disassemble the tractor. Some hardware and parts are drawn larger in order to more readily identify them.

Each tractor has its own model number.

The model number for your tractor can be found on the fender under the seat.

When ordering parts, always give the following information:

- Product - "TRACTOR"
- MODEL NUMBER - "GT52XLSi" (96048006600)"
- Part Number
- Part Description

## TABLE OF CONTENTS

|                         |              |
|-------------------------|--------------|
| <b>SCHEMATIC</b> .....  | <b>3</b>     |
| <b>ELECTRICAL</b> ..... | <b>4-5</b>   |
| <b>CHASSIS</b> .....    | <b>6-7</b>   |
| <b>DRIVE</b> .....      | <b>8-9</b>   |
| <b>ENGINE</b> .....     | <b>10-11</b> |
| <b>STEERING</b> .....   | <b>12-13</b> |
| <b>MOWER DECK</b> ..... | <b>14-15</b> |
| <b>MOWER LIFT</b> ..... | <b>16</b>    |
| <b>SEAT</b> .....       | <b>17</b>    |
| <b>DECALS</b> .....     | <b>18</b>    |

## COMMENT UTILISER CE MANUEL

Ce manuel a été dessiné pour fournir le client avec les moyens d'identification des pièces de détachées du tracteur quand il/elle a besoin de commander les pièces de rechange. Les illustrations ne peuvent pas représenter exactement le modèle que vous avez acheté. N'utilisez pas ce manuel comme un guide dans le montage et/ou démontage de votre tracteur. La visserie montrée est plus grande pour faciliter l'identification.

Chaque tracteur a un numéro de modèle particulier.

Le numéro de modèle du produit se trouvera sur l'aile, dessous le siège.

Lorsque vous commandez des pièces de rechange, donnez toujours les renseignements suivants:

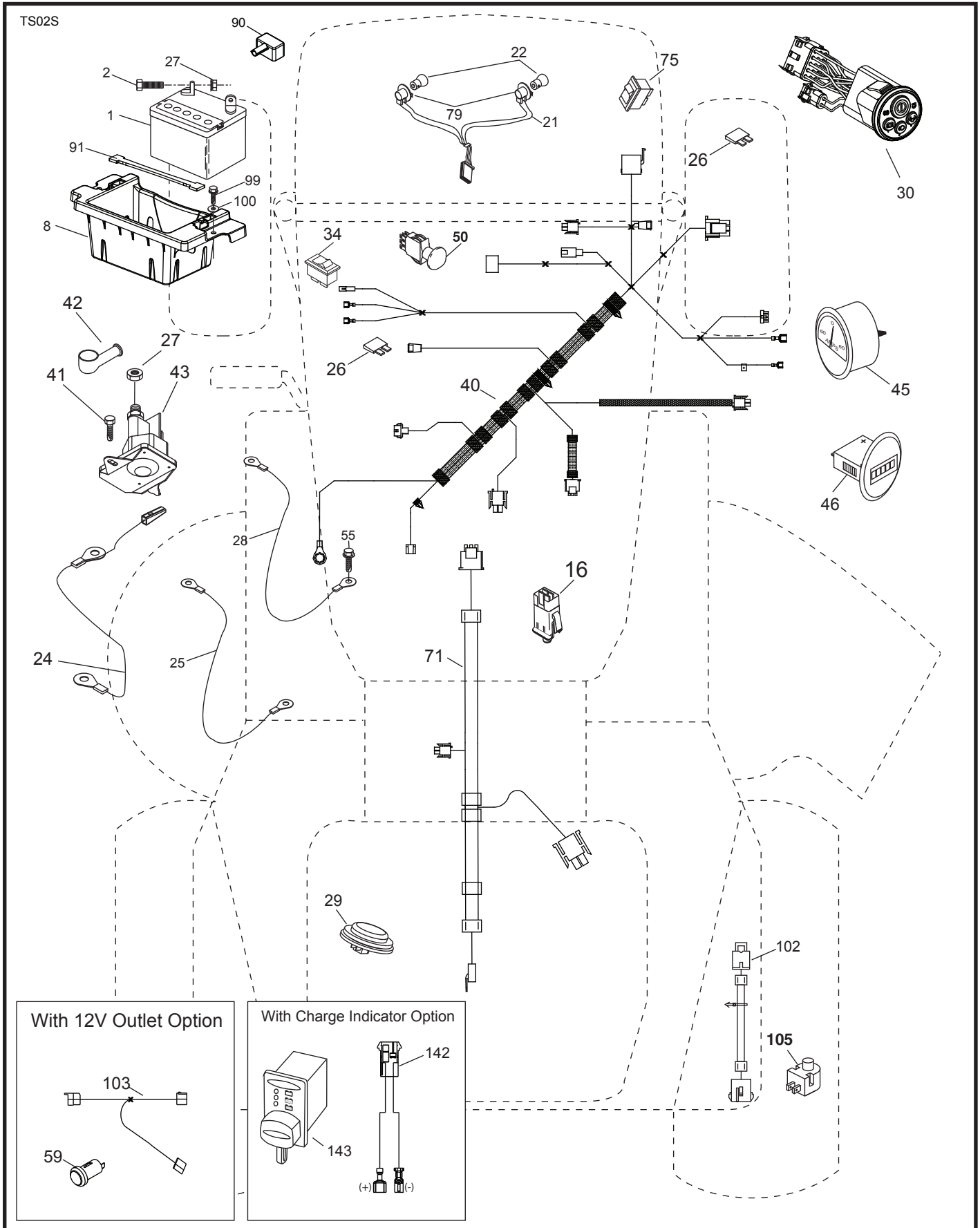
- Produit - "TRACTEUR"
- NUMÉRO DU MODÈLE - "GT52XLSi (96048006600)"
- Numéro de la Pièce
- Description de la Pièce

## TABLE DE MATIERES

|                                       |              |
|---------------------------------------|--------------|
| <b>SCHÉMA</b> .....                   | <b>19</b>    |
| <b>ELECTRIQUE</b> .....               | <b>20-21</b> |
| <b>CHÂSSIS/ENCEINTES</b> .....        | <b>22-23</b> |
| <b>ENTRAÎNEMENT</b> .....             | <b>24-25</b> |
| <b>MOTEUR</b> .....                   | <b>26-27</b> |
| <b>ENSEMBLE DE LA DIRECTION</b> ..... | <b>28-29</b> |
| <b>CARTER DE TONDEUSE</b> .....       | <b>30-31</b> |
| <b>LEVAGE DE LA TONDEUSE</b> .....    | <b>32</b>    |
| <b>ENSEMBLE DU SIÈGE</b> .....        | <b>33</b>    |
| <b>DÉCALCOMANIES</b> .....            | <b>34</b>    |



**TRACTOR - MODEL NO. GT52XLSi (96048006600), PRODUCT NO. 960 48 00-66  
ELECTRICAL**

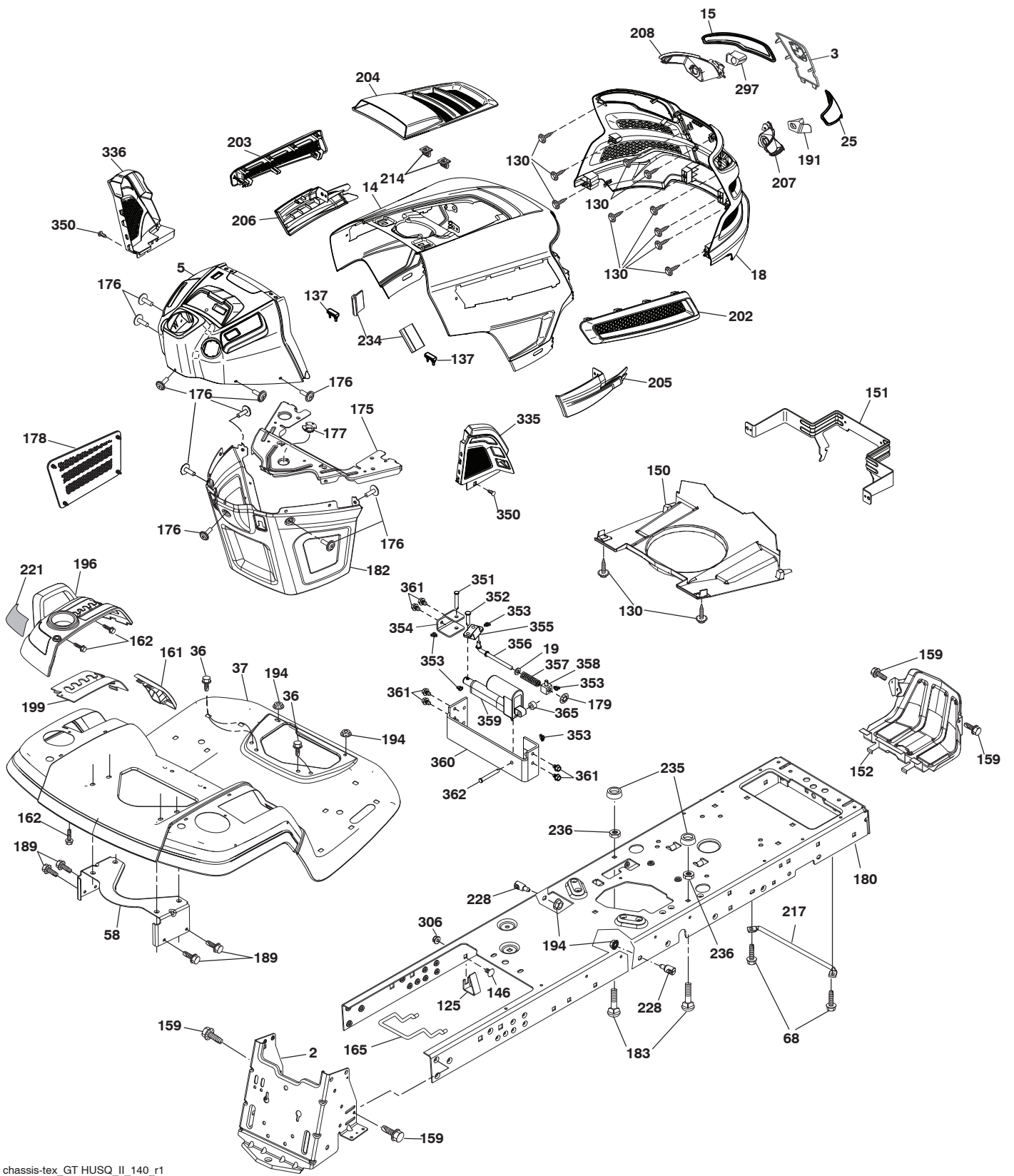


**TRACTOR - MODEL NO. GT52XLSi (96048006600), PRODUCT NO. 960 48 00-66  
ELECTRICAL**

| <b>KEY NO.</b> | <b>PART NO.</b> | <b>DESCRIPTION</b>               |
|----------------|-----------------|----------------------------------|
| 1              | 532 16 34-65    | Battery                          |
| 2              | 874 76 04-12    | Bolt Hex Hd 1/4-20 unc x 3/4     |
| 8              | 532 18 64-91    | Battery Box                      |
| 16             | 532 17 61-38    | Switch Interlock                 |
| 21             | 581 60 65-01    | Harness Socket Light             |
| 22             | 532 00 41-52    | Bulb, Light #1156                |
| 24             | 585 73 43-04    | Cable Battery                    |
| 25             | 532 41 28-95    | Cable Starter                    |
| 26             | 532 17 51-58    | Fuse                             |
| 27             | 873 51 04-00    | Nut Keps Hex 1/4-20 unc          |
| 28             | 585 30 69-05    | Cable Ground                     |
| 29             | 581 42 93-02    | Switch Seat                      |
| 30             | 584 79 06-01    | Switch Ign                       |
| 40             | 585 21 61-01    | Harness Ign. Dash                |
| 41             | 817 72 04-08    | Screw 1/4-20 unc x 1/2           |
| 42             | 532 13 15-63    | Cover Terminal Red               |
| 43             | 532 19 25-07    | Solenoid                         |
| 45             | 532 42 52-70    | Ammeter Round                    |
| 46             | 532 42 52-71    | Gauge Hourmeter                  |
| 50             | 532 17 46-51    | Switch PTO                       |
| 55             | 817 06 05-12    | Screw Thdrol 5/16-18 x 3/4       |
| 59             | 532 40 03-03    | Outlet 12-Volt                   |
| 71             | 585 21 63-01    | Harness Ign Chassis              |
| 75             | 580 36 64-01    | Switch On/Off (Diff Lock)        |
| 79             | 532 17 52-42    | Socket Asm. Bulb Twistlock       |
| 90             | 532 43 53-95    | Cover Terminal Battery           |
| 91             | 532 19 02-70    | Strap Battery                    |
| 99             | 817 67 04-12    | Screw Hexwsh Thdrol 1/4-20 x 3/4 |
| 100            | 819 09 14-16    | Washer 9/32 x 7/8 x 16 Ga.       |
| 102            | 532 40 44-54    | Harness Pigtail                  |
| 103            | 585 13 40-01    | Harness Pigtail 12V Outlet       |
| 105            | 532 40 75-68    | Switch Reverse                   |

**NOTE:** All component dimensions given in U.S. inches  
1 inch = 25.4 mm

**TRACTOR - MODEL NO. GT52XLSi (96048006600), PRODUCT NO. 960 48 00-66  
CHASSIS**



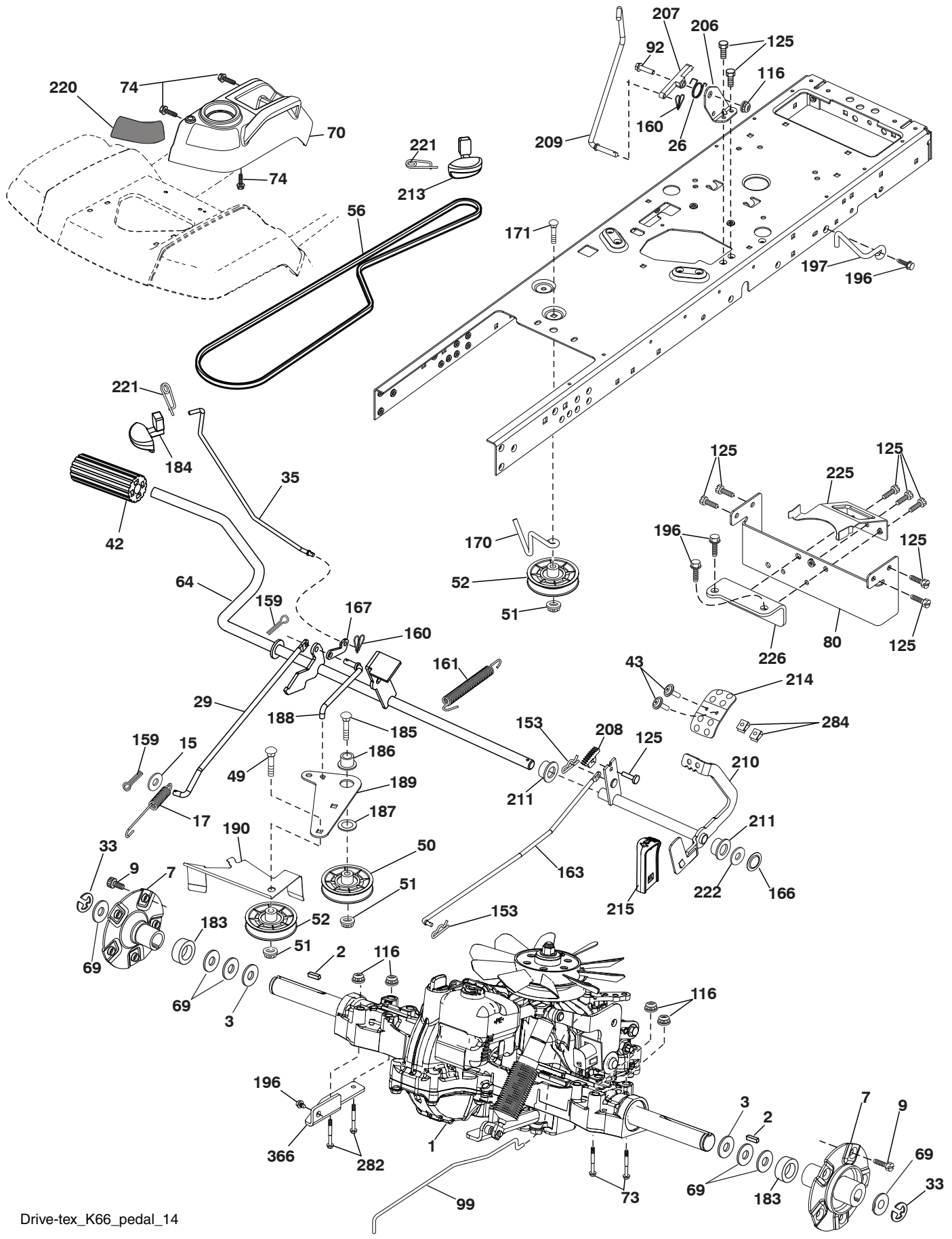
chassis-tex\_GT HUSQ\_II\_140\_r1

**TRACTOR - MODEL NO. GT52XLSi (96048006600), PRODUCT NO. 960 48 00-66  
CHASSIS**

| <b>KEY NO.</b> | <b>PART NO.</b> | <b>DESCRIPTION</b>            | <b>KEY NO.</b> | <b>PART NO.</b> | <b>DESCRIPTION</b>                |
|----------------|-----------------|-------------------------------|----------------|-----------------|-----------------------------------|
| 2              | 580 43 44-01    | Drawbar                       | 203            | 532 43 97-27    | Vent Side Hood LH                 |
| 3              | 532 44 44-81    | Applique                      | 204            | 532 43 57-14    | Vent Asm Hood Top                 |
| 5              | 581 67 42-02    | Dash                          | 205            | 532 43 97-30    | Skirt Hood Side RH                |
| 14             | 532 44 11-77    | Hood                          | 206            | 532 43 97-29    | Skirt Hood Side LH                |
| 15             | 532 43 97-33    | Lens LH                       | 207            | 532 43 97-34    | Bezel RH                          |
| 18             | 532 44 06-53    | Grille                        | 208            | 532 43 97-35    | Bezel LH                          |
| 19             | 819 13 13-12    | Washer 13/32 x 13/16 x 12 Ga. | 214            | 532 19 91-45    | Clip Retainer                     |
| 25             | 532 44 33-85    | Lens RH                       | 217            | 532 40 91-67    | Rod Pivot                         |
| 36             | 817 06 05-12    | Screw 5/16-18 x 3/4           | 221            | 532 19 89-09    | Reflector LH                      |
| 37             | 532 44 12-08    | Fender                        | 228            | 532 19 51-61    | Stud Fastener                     |
| 58             | 532 19 43-14    | Bracket Fender                | 234            | 532 40 47-42    | Bumper Hood                       |
| 68             | 817 49 05-08    | Screw 5/16-18 x 1/2           | 235            | 532 40 61-29    | Spacer Fender                     |
| 125            | 581 68 48-01    | Clip Fuel Line                | 236            | 873 93 05-00    | Nut Center Lock 5/16-18 unc       |
| 130            | 532 41 63-58    | Screw #10 x 0.750 BOS Thread  | 297            | 532 43 74-56    | Insert Reflective LH              |
| 137            | 532 40 75-90    | Bumper Dash                   | 306            | 873 90 06-00    | Nut Lock                          |
| 146            | 581 85 79-01    | Bolt                          | 335            | 532 44 82-04    | Cover RH                          |
| 150            | 532 43 97-74    | Duct Air                      | 336            | 532 44 53-09    | Cover LH                          |
| 151            | 532 43 66-70    | Bracket Pivot Hood            | 350            | 532 44 51-43    | Clip X-mas Tree                   |
| 152            | 532 43 98-70    | Shield Browning/Debris        | 351            | 532 42 17-34    | Pin Clevis .375 x 2.125           |
| 159            | 817 00 06-12    | Screw 3/8-16 x 3/4            | 352            | 532 44 86-34    | Pin Clevis                        |
| 161            | 532 43 99-29    | Console Fuel Window           | 353            | 532 17 80-62    | Clip Retainer .0375               |
| 162            | 532 14 24-32    | Screw Hex Wsh Hi-Lo 1/4 x 1/2 | 354            | 532 44 86-19    | Support Bellcrank                 |
| 165            | 532 19 43-30    | Bracket Support Tank          | 355            | 532 44 86-36    | Bellcrank Lock Diff               |
| 175            | 532 19 63-04    | Crossmember                   | 356            | 532 44 86-93    | Link Lock Diff                    |
| 176            | 532 40 07-76    | Screw 10-24 x 5/8 Wshd Qdrx   | 357            | 532 44 86-84    | Spring Compression                |
| 177            | 532 19 52-27    | Bushing Steering              | 358            | 580 36 66-01    | Swivel Guide                      |
| 178            | 532 19 97-82    | Cargo Asm. Net                | 359            | 584 39 34-01    | Actuator Electric                 |
| 179            | 532 16 89-37    | Nut Push                      | 360            | 532 44 86-18    | Bracket Actuator                  |
| 180            | 532 44 55-59    | Chassis                       | 361            | 817 49 06-10    | Screw Thdrol 3/8-16 x 5/8 TY TT   |
| 182            | 532 40 68-59    | Dash Lower                    | 362            | 532 44 86-33    | Pin Clevis                        |
| 183            | 874 52 05-20    | Bolt 5/16-18 x 1-1/4          | 365            | 532 44 73-68    | Nylon Spacer .375 x .75 x .4375 L |
| 189            | 817 00 05-12    | Screw 5/16-18 x 3/4           | --             | 586 29 76-01    | Plug                              |
| 191            | 532 43 74-55    | Insert Reflective RH          | --             | 532 43 18-82    | Kit Guard Brush                   |
| 194            | 873 90 05-00    | Nut Lock Hex Flange 5/16-18   |                |                 |                                   |
| 196            | 532 43 96-74    | Console Asm. Deck Lift        |                |                 |                                   |
| 199            | 532 19 82-59    | Plate Deck Lift               |                |                 |                                   |
| 202            | 532 43 97-28    | Vent Side Hood RH             |                |                 |                                   |

**NOTE:** All component dimensions given in U.S. inches  
1 inch = 25.4 mm

**TRACTOR - MODEL NO. GT52XLSi (96048006600), PRODUCT NO. 960 48 00-66  
DRIVE**



Drive-tex\_K66\_pedal\_14

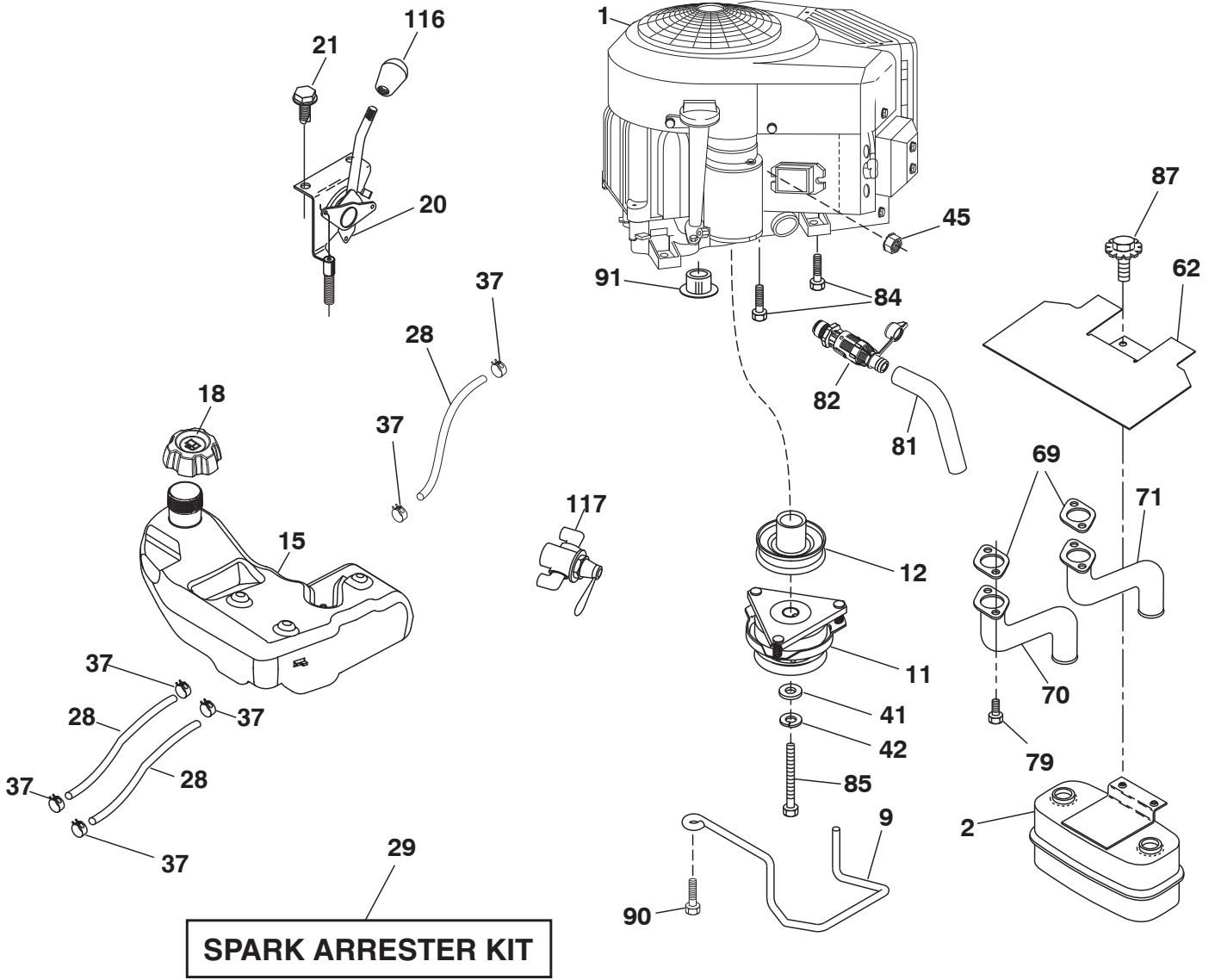


# TRACTOR - MODEL NO. GT52XLSi (96048006600), PRODUCT NO. 960 48 00-66 DRIVE

| KEY NO. | PART NO.     | DESCRIPTION   | KEY NO. | PART NO.     | DESCRIPTION                     |
|---------|--------------|---|---------|--------------|---------------------------------|
| 1       | ---          | Transaxle, Tufftorq K66ELD (580402201) (Order parts from transaxle manufacturer.) | 166     | 532 42 91-64 | Nut Push .625                   |
| 2       | 532 00 70-70 | Key 1/4 x 2.5   | 167     | 532 40 52-57 | Latch Brake Parking             |
| 3       | 532 00 75-63 | Washer Thrust Axle Hardened   | 170     | 532 19 43-22 | Keeper V-Idler Centerspan       |
| 7       | 532 19 98-37 | Hub Asm. Wheel  | 171     | 872 11 06-16 | Bolt Rd Hd Sq NK 3/8-16 unc x 2 |
| 9       | 532 14 00-80 | Bolt Hub Wheel  | 183     | 532 19 73-57 | Spacer Axle                     |
| 15      | 819 13 13-16 | Washer 13/32 x 13/16 x 16 Ga.   | 184     | 532 44 14-55 | Handle Parking Brake            |
| 17      | 532 40 10-72 | Spring, Brake   | 185     | 872 11 06-22 | Bolt Rdhd 3/8-16 unc x 2-3/4 G5 |
| 26      | 532 19 96-79 | Spring Return Cruise  | 186     | 532 19 43-21 | Spacer Retainer                 |
| 29      | 532 40 72-45 | Rod, Brake  | 187     | 819 13 32-10 | Washer                          |
| 33      | 812 00 00-53 | Ring E  | 188     | 532 19 43-23 | Link Clutch Ground Drive        |
| 35      | 583 86 45-01 | Rod, Brake, Park  | 189     | 532 19 43-17 | Bellcrank Ground Drive          |
| 42      | 532 12 48-72 | Cover, Foot Pedal   | 190     | 532 19 43-18 | Keeper Bellcrank Ground Drive   |
| 43      | 874 18 04-12 | Screw Mach. CR. 1/4-20 x 3/4  | 196     | 817 00 06-16 | Screw 3/8-16 x 1                |
| 49      | 872 11 06-14 | Bolt  | 197     | 532 19 97-69 | Bracket Clutch Anti-Rotation    |
| 50      | 532 19 43-27 | Pulley Idler Flat   | 206     | 532 44 85-96 | Bracket Mount Latch Cruise      |
| 51      | 873 90 06-00 | Lock Nut 3/8-16   | 207     | 532 19 78-68 | Latch Control Cruise            |
| 52      | 532 19 43-26 | Idler V-Groove  | 208     | 532 19 78-69 | Gear Sector Control Cruise      |
| 56      | 532 12 59-07 | V-Belt, Drive   | 209     | 532 19 95-92 | Rod Control Cruise              |
| 64      | 532 19 78-65 | Shaft Asm. Pedal Brake Control  | 210     | 532 19 78-60 | Rocker Asm. Pedal Control       |
| 69      | 532 12 38-00 | Washer 1-1/32 x 1-5/8 x 16 Ga.  | 211     | 532 12 01-83 | Bearing Nylon                   |
| 70      | 532 43 96-61 | Console Asm   | 213     | 532 40 31-19 | Knob Control Cruise             |
| 73      | 874 49 05-44 | Bolt Hex Flghd 5/16-18 Gr. 5  | 214     | 532 41 68-63 | Pedal Forward                   |
| 74      | 532 14 24-32 | Screw 1/4 x 1/2   | 215     | 532 41 94-82 | Pedal Reverse                   |
| 80      | 583 97 07-01 | Strap Torque  | 220     | 532 19 89-08 | Reflector RH                    |
| 92      | 874 76 05-20 | Bolt 5/16-18 x 1/2  | 221     | 532 40 31-87 | Retainer Spring Clip Handle     |
| 99      | 532 41 57-44 | Spring Bypass   | 222     | 879 21 20-10 | Washer 21/32 x 1-1/4 x 10 Ga.   |
| 116     | 873 90 05-00 | Nut Lock Hex Flange 5/16-18   | 225     | 532 40 73-11 | Keeper Belt                     |
| 125     | 817 00 05-12 | Screw 5/16-18 x 3/4   | 226     | 532 40 71-09 | Bracket Mount Torque            |
| 153     | 532 12 47-88 | Retainer Spring   | 282     | 874 49 05-48 | Bolt 5/16-18 x 3.0 G5           |
| 159     | 876 02 04-12 | Pin Cotter 1/8 x 3/4  | 284     | 532 41 76-93 | Nut U-Chnl. 1/4-20              |
| 160     | 532 16 94-84 | Retainer Clip   | 366     | 580 62 62-01 | Bracket Reinforcement           |
| 161     | 532 10 57-09 | Spring, Return, Clutch  |         |              |                                 |
| 163     | 532 40 72-46 | Rod Pedal Control   |         |              |                                 |

**NOTE:** All component dimensions given in U.S. inches  
1 inch = 25.4 mm

**TRACTOR - MODEL NO. GT52XLSi (96048006600), PRODUCT NO. 960 48 00-66  
ENGINE**



engine-tex\_bs-2cyl\_79

# TRACTOR - MODEL NO. GT52XLSi (96048006600), PRODUCT NO. 960 48 00-66 ENGINE

| KEY NO. | PART NO.     | DESCRIPTION   |
|---------|--------------|---|
| 1       | -----        | Engine B&S Model No.<br>49S877-0003-G1 (586362501)<br>(Order parts from engine manufacturer.) |
| 2       | 532 44 59-62 | Muffler   |
| 9       | 584 90 80-01 | Keeper Asm. Belt Engine   |
| 11      | 532 17 93-35 | Clutch Electric   |
| 12      | 532 19 43-43 | Pulley Engine   |
| 15      | 532 42 28-04 | Tank Fuel   |
| 18      | 584 24 87-02 | Cap Asm   |
| 20      | 586 21 96-01 | Control Throttle/Choke  |
| 21      | 532 41 63-58 | Screw #10 x 0.750 BOS Thread  |
| 28      | 532 14 21-58 | Fuel Line   |
| 29      | 532 13 71-80 | Spark Arrester Kit  |
| 37      | 532 12 34-87 | Clamp Hose  |
| 41      | 532 12 61-97 | Washer 1-1/2 OD x 15/32 ID x .250   |
| 42      | 810 04 07-00 | Washer Lock 7/16  |
| 45      | 873 51 04-00 | Nut Keps Hex 1/4-20 unc   |
| 62      | 532 43 40-17 | Shield Heat Muffler   |
| 69      | 532 16 53-91 | Gasket  |
| 70      | 581 88 11-01 | Tube Exhaust LH   |
| 71      | 581 88 10-01 | Tube Exhaust RH   |
| 79      | 532 18 39-06 | Screw Socket Head 5/16-18 x 1   |
| 81      | 532 14 84-56 | Tube Drain Oil Easy   |
| 82      | 532 42 82-87 | Valve Oil Drain   |
| 84      | 817 06 06-20 | Screw 3/8-16 x 1-1/4  |
| 85      | 532 17 99-53 | Bolt 7/16-20 x 3.75 Gr. 5   |
| 87      | 532 17 18-77 | Bolt 5/16-18 unc x 3/4 w/Sems   |
| 90      | 817 00 06-16 | Screw 3/8-16 x 1  |
| 91      | 532 18 74-95 | Bushing   |
| 116     | 539 13 26-24 | Knob Soft Touch   |
| 117     | 532 42 08-28 | Valve Fuel Reserve  |

**NOTE:** All component dimensions given in U.S. inches  
1 inch = 25.4 mm

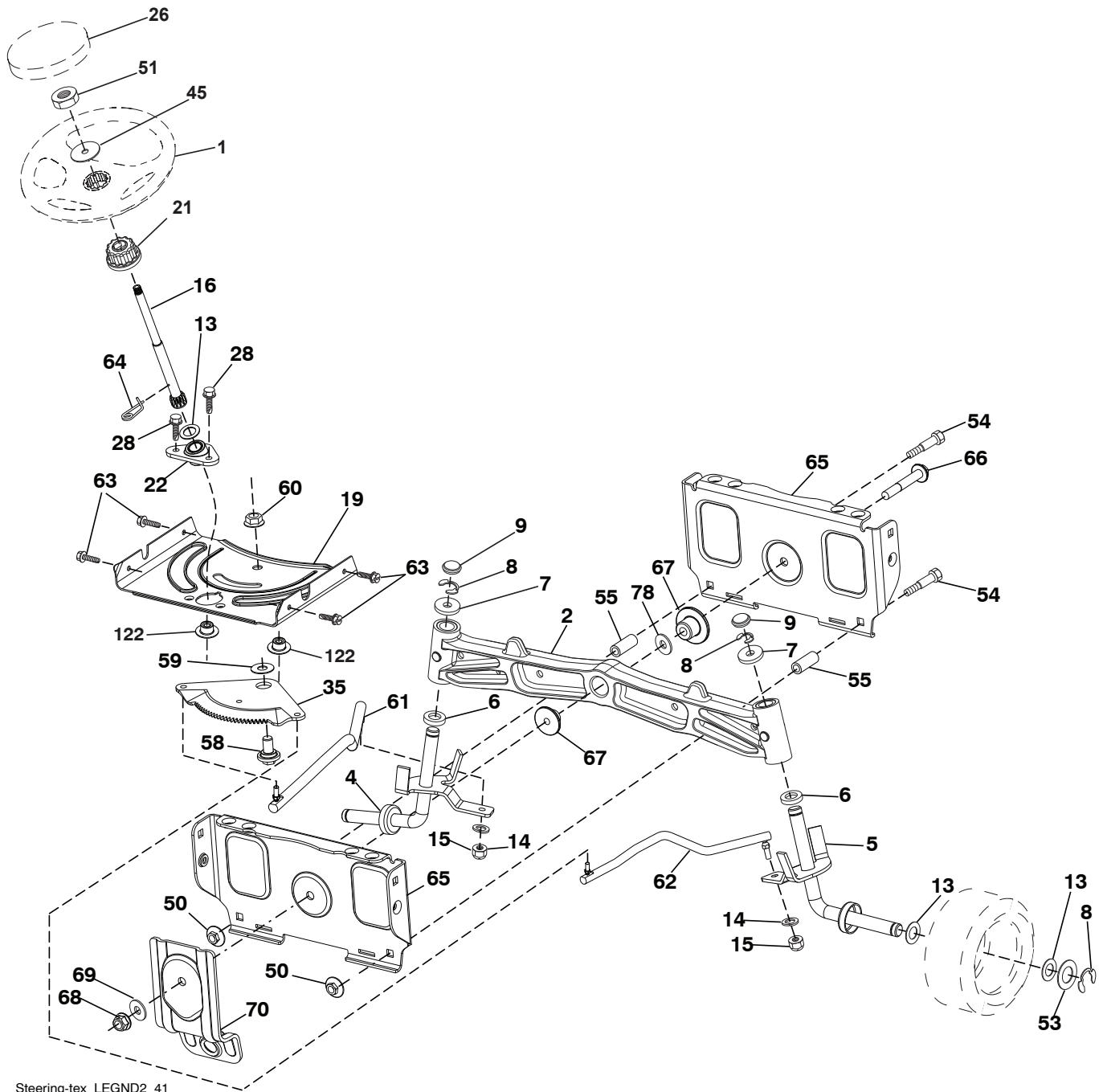
For engine service and replacement parts, call the toll free number for your engine manufacturer listed below:

Briggs & Stratton                      1-800-233-3723

## Engine Power Rating Information

The gross power rating for individual gas engine models is labeled in accordance with SAE (Society of Automotive Engineers) code J1940 (Small Engine Power & Torque Rating Procedure), and rating performance has been obtained and corrected in accordance with SAE J1995 (Revision 2002-05). Torque values are derived at 3060 RPM; horsepower values are derived at 3600 RPM. Actual gross engine power will be lower and is affected by, among other things, ambient operating conditions and engine-to-engine variability. Given both the wide array of products on which engines are placed and the variety of environmental issues applicable to operating the equipment, the gas engine will not develop the rated gross power when used in a given piece of power equipment (actual "on-site" or net power). This difference is due to a variety of factors including, but not limited to, accessories (air cleaner, exhaust, charging, cooling, carburetor, fuel pump, etc.), application limitations, ambient operating conditions (temperature, humidity, altitude), and engine-to-engine variability. Due to manufacturing and capacity limitations, Briggs & Stratton may substitute an engine of higher rated power for this Series engine.

**TRACTOR - MODEL NO. GT52XLSi (96048006600), PRODUCT NO. 960 48 00-66**  
**STEERING ASSEMBLY**



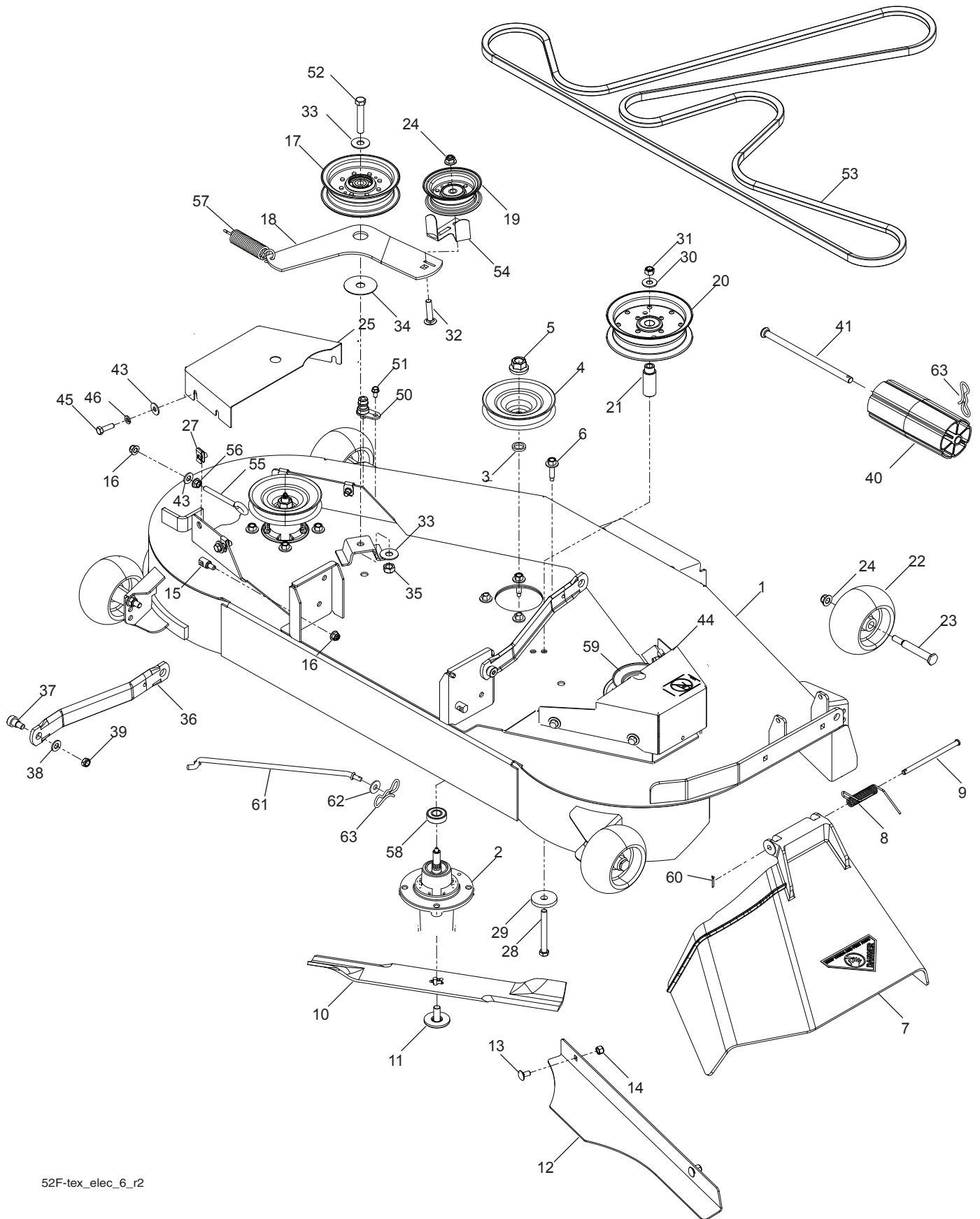
Steering-tex\_LEGND2\_41

**TRACTOR - MODEL NO. GT52XLSi (96048006600), PRODUCT NO. 960 48 00-66  
STEERING ASSEMBLY**

| <b>KEY PART NO.</b> | <b>PART NO.</b> | <b>DESCRIPTION</b>                  |
|---------------------|-----------------|-------------------------------------|
| 1                   | 532 43 97-40    | Wheel, Steering                     |
| 2                   | 532 19 59-68    | Axle Asm., Front                    |
| 4                   | 532 40 30-89    | Spindle Asm. LH                     |
| 5                   | 532 40 30-90    | Spindle Asm. RH                     |
| 6                   | 532 12 49-31    | Bearing, Race Thrust Harden         |
| 7                   | 532 12 17-48    | Washer 25/32 x 1-5/8 x 16 Ga.       |
| 8                   | 812 00 00-29    | Ring, Clip #T5304-75                |
| 9                   | 532 12 12-32    | Cap, Spindle                        |
| 13                  | 532 12 17-49    | Washer 25/32 x 1-1/4 x 16 Ga.       |
| 14                  | 810 04 06-00    | Washer, Lock Hvy Hlcl Spr 3/8       |
| 15                  | 873 54 06-00    | Nut, Crown Lock 3/8-24 unf          |
| 16                  | 532 40 82-19    | Shaft Steering                      |
| 19                  | 532 19 47-29    | Plate Steering                      |
| 21                  | 532 18 67-37    | Adapter, Wheel Steering             |
| 22                  | 532 42 05-37    | Steering Support Lower              |
| 26                  | 532 43 97-43    | Insert, Wheel Steering              |
| 28                  | 817 00 06-12    | Screw 3/8-16 x 3/4                  |
| 35                  | 532 19 47-32    | Gear, Sector Plate                  |
| 45                  | 819 18 38-12    | Washer 9/16 x 2-3/8 x 12 Ga.        |
| 50                  | 873 90 06-00    | Nut Lock Flange 3/8-16 unc          |
| 51                  | 873 94 08-00    | Nut Hex Jam Toplock 1/2-20 unf      |
| 53                  | 532 18 89-67    | Washer Hardened .793 x 1.637 x .060 |
| 54                  | 874 76 06-36    | Bolt Hex 3/8-16 unc x 2-1/4         |
| 55                  | 532 41 47-36    | Bolt Hex 3/8-16 unc x 2-1/4         |
| 58                  | 532 19 47-47    | Bolt Shoulder Sector Pivot CFM      |
| 59                  | 532 19 47-48    | Washer Thrust Sector Steering       |
| 60                  | 873 97 10-00    | Nut Flange Lock 5/8-11              |
| 61                  | 532 19 47-40    | Draglink, LH                        |
| 62                  | 532 19 47-41    | Draglink, RH                        |
| 63                  | 817 00 05-12    | Screw 5/16-18 x 3/4                 |
| 64                  | 532 19 98-49    | Retainer Clip Spring Steering       |
| 65                  | 532 19 47-34    | Brace Axle Front                    |
| 66                  | 871 02 07-48    | Bolt Hex Fghd 7/16-14 x 3 Serr      |
| 67                  | 532 19 47-37    | Bushing PM Front Axle               |
| 68                  | 873 90 07-00    | Nut Lock Flange 7/16-14 Gr. 5       |
| 69                  | 532 19 91-62    | Washer 1.5 x .505 x .118            |
| 70                  | 532 19 61-97    | Bracket Deck Susp. Front            |
| 78                  | 532 05 70-79    | Washer Thrust                       |
| 122                 | 532 44 49-62    | Cap Gear Sector                     |

**NOTE:** All component dimensions given in U.S. inches  
1 inch = 25.4 mm

**TRACTOR - MODEL NO. GT52XLSi (96048006600), PRODUCT NO. 960 48 00-66  
MOWER DECK**



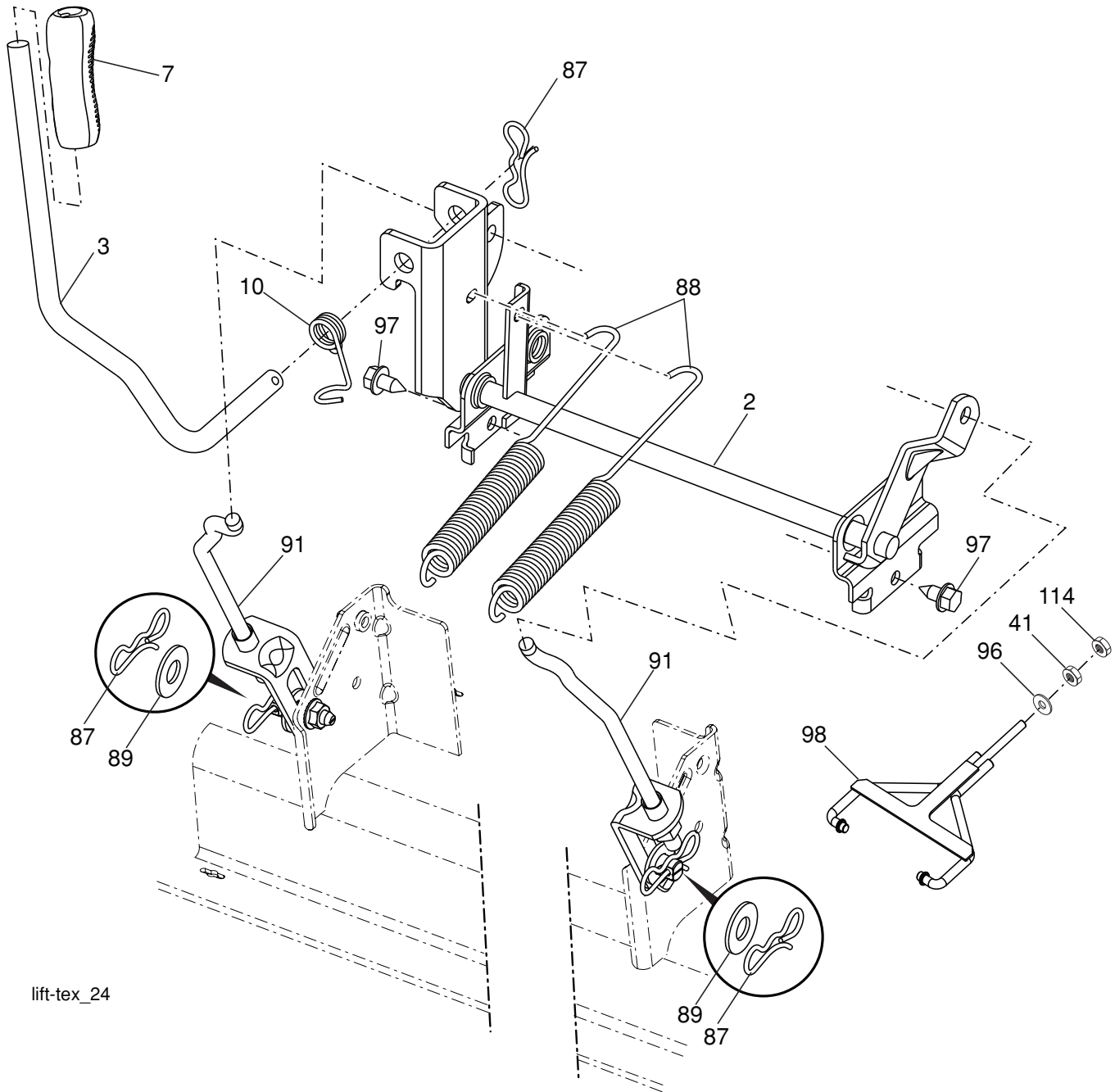
52F-tex\_elec\_6\_r2

**TRACTOR - MODEL NO. GT52XLSi (96048006600), PRODUCT NO. 960 48 00-66  
MOWER DECK**

| KEY NO. | PART NO.     | DESCRIPTION                    | KEY NO. | PART NO.     | DESCRIPTION                   |
|---------|--------------|--------------------------------|---------|--------------|-------------------------------|
| 1       | 574 80 44-02 | Deck                           | 36      | 532 19 51-85 | Arm, Susp., Rear              |
| 2       | 539 11 21-70 | Housing Assembly               | 37      | 539 11 36-21 | Sb 3/8-16 x 3/8 Skt Hd        |
| 3       | 539 18 76-90 | Washer-Spacer                  | 38      | 819 13 13-16 | Washer 13/32 x 13-16 x 16 Ga. |
| 4       | 532 17 43-75 | Pulley, Mandrel                | 39      | 539 20 02-82 | Nut, 3/8-16 Hex Jam Nyloc     |
| 5       | 539 40 02-34 | Nut, 9/16 Top Center Lock      | 40      | 532 17 60-66 | Roller Nose                   |
| 6       | 532 17 39-84 | Screw Thd Roll DOD PT Hex      | 41      | 532 17 91-27 | Rod Roller Nose               |
| 7       | 539 11 07-33 | Discharge Chute, 52"           | 43      | 819 12 14-14 | Washer 3/8 x 7/8 x 14 Ga.     |
| 8       | 539 11 07-35 | Spring - Torsion               | 44      | 575 96 73-02 | Shield, Belt RH               |
| 9       | 539 11 07-36 | Pin, Clevis 5/16 x 5.19        | 45      | 874 78 05-16 | Bolt 5/16-18 x 1              |
| 10      | 574 87 08-01 | Blade, 16-1/4"                 | 46      | 810 03 05-00 | Washer 5/16                   |
| 11      | 532 19 30-03 | Bolt, 7/16, Assy Blade         | 50      | 532 41 55-98 | Washout Port                  |
| 12      | 574 87 50-01 | Confinement Plate              | 51      | 817 49 04-08 | Bolt, 1/4-20 x 1              |
| 13      | 539 99 07-99 | Rhsnb 5/16-18 x 5/8 Gr 5       | 52      | 874 78 07-40 | Bolt Hex 7/16-14 x 2-1/2      |
| 14      | 873 80 05-00 | Nut Lock Hex w/Ins 5/16-18 unc | 53      | 574 84 56-03 | Belt, Deck                    |
| 15      | 532 19 51-61 | Stud, Fasten w/ Anti- Rotate   | 54      | 532 14 10-43 | Guard, Belt                   |
| 16      | 539 11 28-99 | Nut 5/16-18 Hex Flange Nyloc   | 55      | 539 11 55-74 | Eyebolt 5/16 x 3-1/2          |
| 17      | 532 19 61-04 | Pulley, Idler Spec. Hub        | 56      | 539 99 05-85 | Nut 5/16-18 Hex Whizlk        |
| 18      | 574 84 18-01 | Arm, Idler, Blk                | 57      | 539 10 68-50 | Spring                        |
| 19      | 532 17 79-68 | Pulley, Idler                  | 58      | 532 11 04-85 | Ball Bearing                  |
| 20      | 539 13 27-28 | Pulley, Idler                  | 59      | 575 35 29-01 | Pulley                        |
| 21      | 575 22 45-01 | Idler Bushing                  | 60      | 532 16 94-84 | Clip Retainer                 |
| 22      | 532 13 39-57 | Wheel, Gauge                   | 61      | 532 40 03-37 | Rod Anti-Sway                 |
| 23      | 532 19 34-06 | Bolt, Shoulder                 | 62      | 819 13 13-12 | Washer 13/32 x 13/16 x 12 Ga. |
| 24      | 521 99 65-01 | Nut 3/8-16 Hex Flg Nyloc       | 63      | 532 19 42-08 | Pin Cotter 5/16 Bow Tie Lock  |
| 25      | 575 22 47-02 | Shield, Belt LH                | --      | 532 41 64-05 | Coupling Quick Connect        |
| 27      | 539 10 47-63 | Retainer 5/16c U Type          | --      | 532 44 53-61 | Mower Deck Complete           |
| 28      | 539 10 82-71 | Hcs 3/8-16 x 3-1/2 Gr 5        |         |              |                               |
| 29      | 539 10 65-04 | Heavy Washer                   |         |              |                               |
| 30      | 819 14 16-14 | Washer, 3/8 Flat Std           |         |              |                               |
| 31      | 539 97 69-79 | Nut 3/8-16 Hex Nyloc           |         |              |                               |
| 32      | 539 99 09-23 | Rhsnb 3/8-16 x 1-3/4 Gr 5      |         |              |                               |
| 33      | 539 10 48-64 | Washer, 7/16 Flat              |         |              |                               |
| 34      | 532 17 85-15 | Washer, Flat Hardened          |         |              |                               |
| 35      | 873 90 07-00 | Nut, 7/16-14                   |         |              |                               |

**NOTE:** All component dimensions given in U.S. inches  
1 inch = 25.4 mm

**TRACTOR - MODEL NO. GT52XLSi (96048006600), PRODUCT NO. 960 48 00-66  
MOWER LIFT**



lift-tex\_24

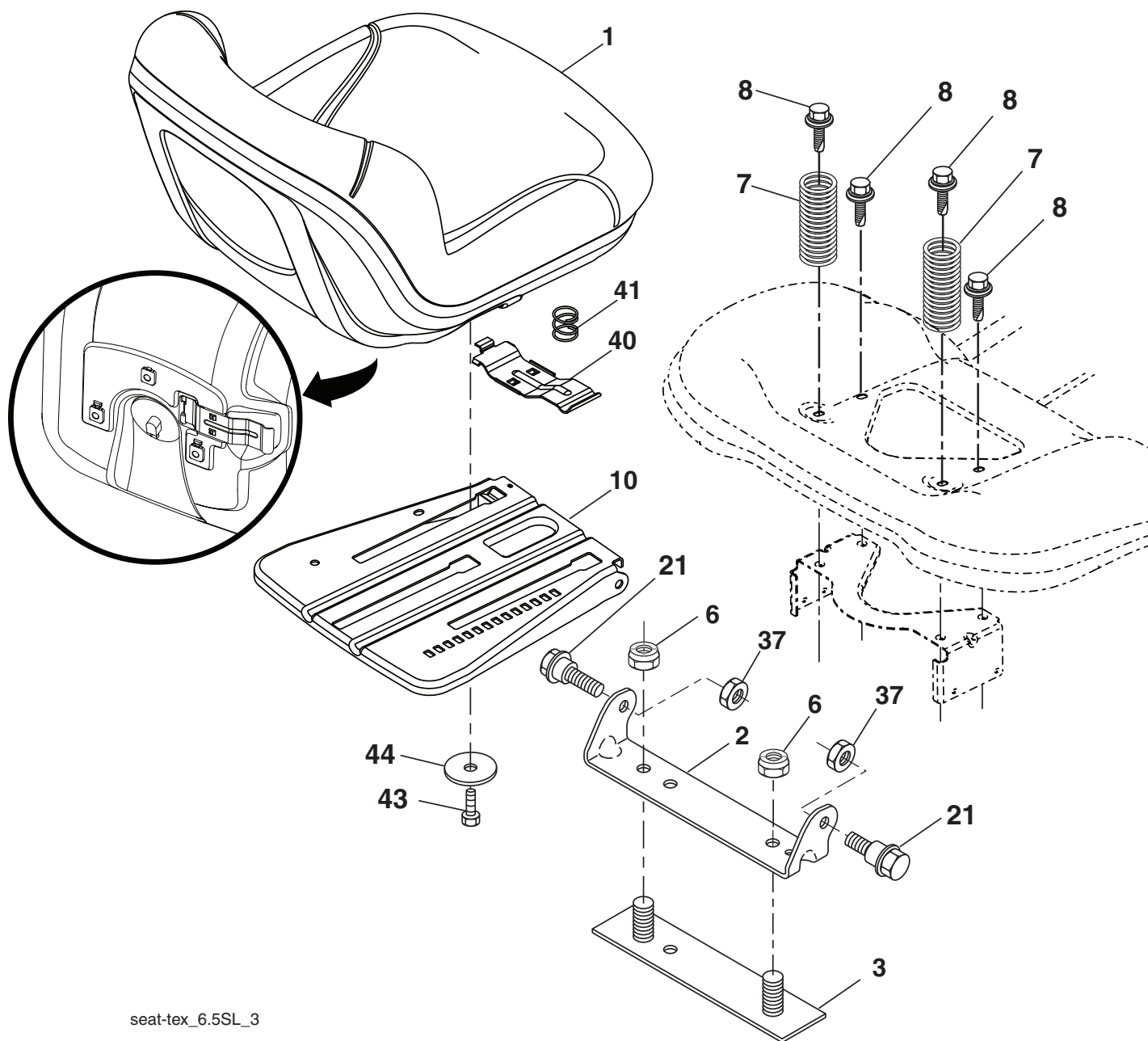
| KEY NO. | PART NO.     | DESCRIPTION                  |
|---------|--------------|------------------------------|
| 2       | 532 42 20-27 | Shaft Asm., Lift             |
| 3       | 532 19 52-30 | Lever Asm., Lift RH          |
| 7       | 580 96 23-01 | Grip, Lever                  |
| 10      | 532 19 63-14 | Spring Torsion               |
| 41      | 532 17 59-94 | Nut Lift Link                |
| 87      | 532 19 42-09 | Pin Cotter 7/16 Bow Tie Lock |
| 88      | 532 19 53-04 | Spring Lift Assist           |
| 89      | 819 19 19-12 | Washer Clear Zinc            |

| KEY NO. | PART NO.     | DESCRIPTION                 |
|---------|--------------|-----------------------------|
| 91      | 532 40 34-07 | Link Lift Susp Mower Rear   |
| 96      | 532 19 52-63 | Bushing Spherical           |
| 97      | 817 00 06-12 | Screw 3/8-16 x .75          |
| 98      | 574 82 25-01 | Link Lift Susp. Front Mower |
| 114     | 873 36 07-00 | Nut Jam 7/16-20             |

**NOTE:** All component dimensions given in U.S. inches  
1 inch = 25.4 mm



**TRACTOR - MODEL NO. GT52XLSi (96048006600), PRODUCT NO. 960 48 00-66  
SEAT ASSEMBLY**



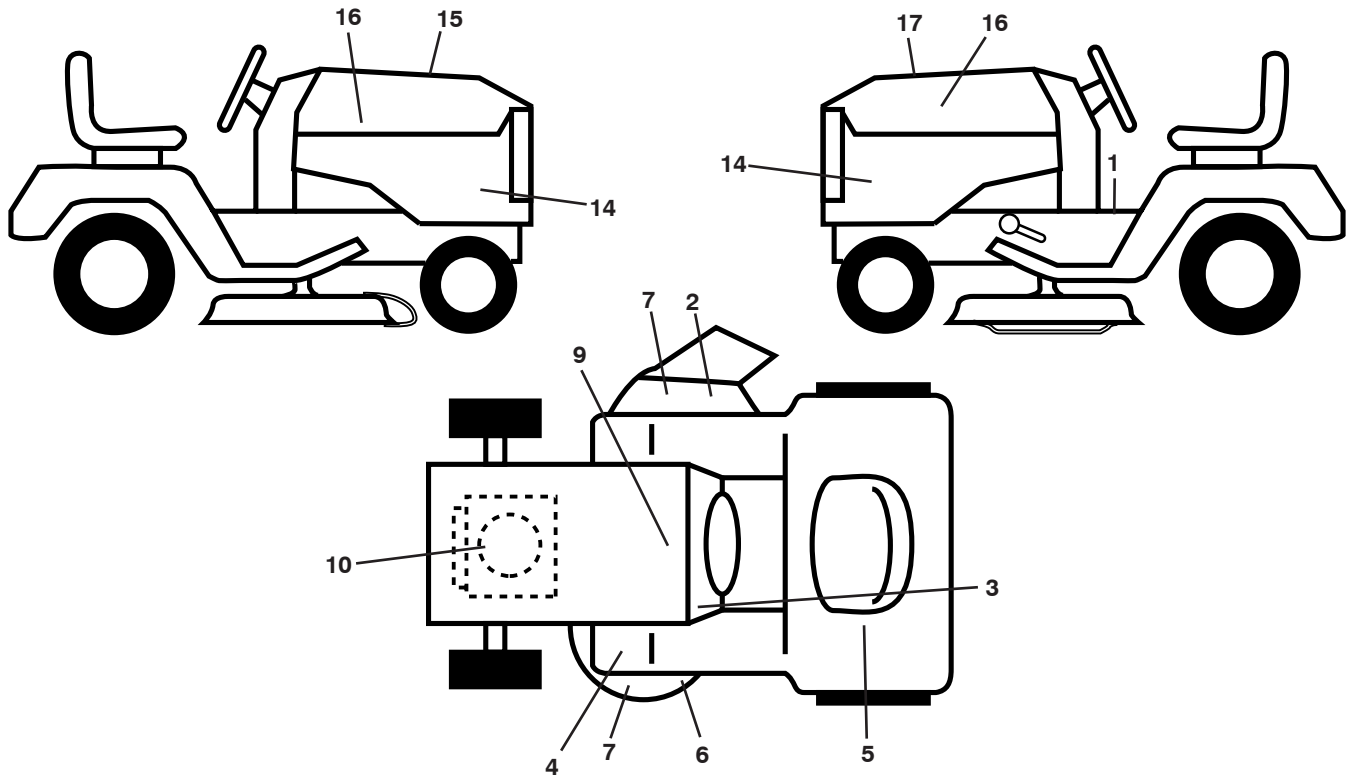
seat-tex\_6.5SL\_3

| KEY NO. | PART NO.     | DESCRIPTION                   |
|---------|--------------|-------------------------------|
| 1       | 532 44 32-63 | Seat                          |
| 2       | 532 18 01-66 | Bracket Pivot Fender          |
| 3       | 532 14 06-75 | Strap, Asm Fender             |
| 6       | 873 80 06-00 | Nut, Lock w/Ins. 3/8-16 unc   |
| 7       | 532 12 41-81 | Spring, Seat Cprsn            |
| 8       | 532 17 18-77 | Bolt 5/16-18 unc x 3/4 w/Sems |
| 10      | 532 19 69-77 | Pan, Seat                     |
| 21      | 532 17 18-52 | Bolt, Shoulder 5/16-18        |

| KEY NO. | PART NO.     | DESCRIPTION                   |
|---------|--------------|-------------------------------|
| 37      | 873 80 05-00 | Nut, Lock 5/16-18 unc         |
| 40      | 532 43 98-71 | Handle Slide Seat             |
| 41      | 532 19 82-00 | Spring Latch Seat             |
| 43      | 874 76 06-12 | Bolt Fin Hex 3/8-16 unc x 3/4 |
| 44      | 819 13 38-12 | Washer 13/32 x 2-3/8 x 12 Ga. |

**NOTE:** All component dimensions given in U.S. inches  
1 inch = 25.4 mm

**TRACTOR - MODEL NO. GT52XLSi (96048006600), PRODUCT NO. 960 48 00-66  
DECALS**



**KEY PART  
NO. NO.**

**DESCRIPTION**

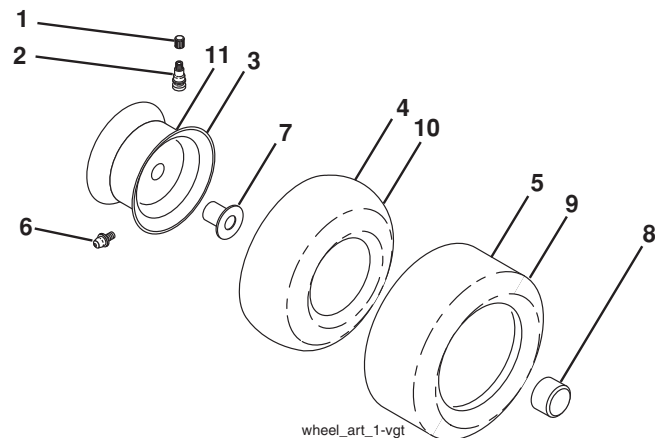
|    |              |                         |
|----|--------------|-------------------------|
| 1  | 586 34 95-01 | Decal, FNDP             |
| 2  | 581 72 44-01 | Decal, Warning          |
| 3  | 586 06 62-01 | Decal, Snowflake        |
| 4  | 532 41 86-00 | Decal, Pedal            |
| 5  | 585 38 55-01 | Decal, Fuel Reserve     |
| 6  | 581 58 00-02 | Decal, Mower Sch.       |
| 7  | 581 72 43-01 | Decal, No Step          |
| 9  | 532 14 50-05 | Decal, Battery Dnge/Poi |
| 10 | 585 91 51-01 | Decal, Engine HP        |

**KEY PART  
NO. NO.**

**DESCRIPTION**

|    |              |                                     |
|----|--------------|-------------------------------------|
| 14 | 585 68 15-01 | Decal, Panel Side                   |
| 15 | 532 42 38-29 | Decal, Cust. Resp.                  |
| 16 | 581 62 73-01 | Decal, Hood Logo                    |
| 17 | 586 36 35-01 | Decal, Replacement                  |
| -- | 581 72 48-01 | Decal, Bypass                       |
| -- | 532 43 98-82 | Pad, Footrest, LH                   |
| -- | 532 43 98-81 | Pad, Footrest, RH                   |
| -- | 586 38 22-32 | Manual, Operator's (English/French) |
| -- | 586 38 23-24 | Manual, Part's (English/French)     |

**WHEELS AND TIRES**



**KEY  
NO.**

**PART  
NO.**

**DESCRIPTION**

|    |              |                                    |
|----|--------------|------------------------------------|
| 1  | 532 05 91-92 | Cap, Valve, Tire                   |
| 2  | 532 06 51-39 | Stem, Valve                        |
| 3  | 532 18 18-39 | Rim Assembly, Front                |
| 4  | 532 00 81-34 | Tube, Front (Service Item Only)    |
| 5  | 532 16 10-24 | Tire, Front 16 x 6.5-8             |
| 6  | 532 12 49-57 | Fitting, Grease (Front Wheel Only) |
| 7  | 532 12 49-59 | Bearing, Flange (Front Wheel Only) |
| 8  | 532 17 50-39 | Cap, Axle                          |
| 9  | 532 17 04-53 | Tire, Rear 23 x 10.5-12            |
| 10 | 532 00 71-54 | Tube, Rear (Service Item Only)     |
| 11 | 532 14 45-10 | Rim Assembly, Rear                 |
| -- | 532 14 43-34 | Sealant, Tire (10 oz. Tube)        |

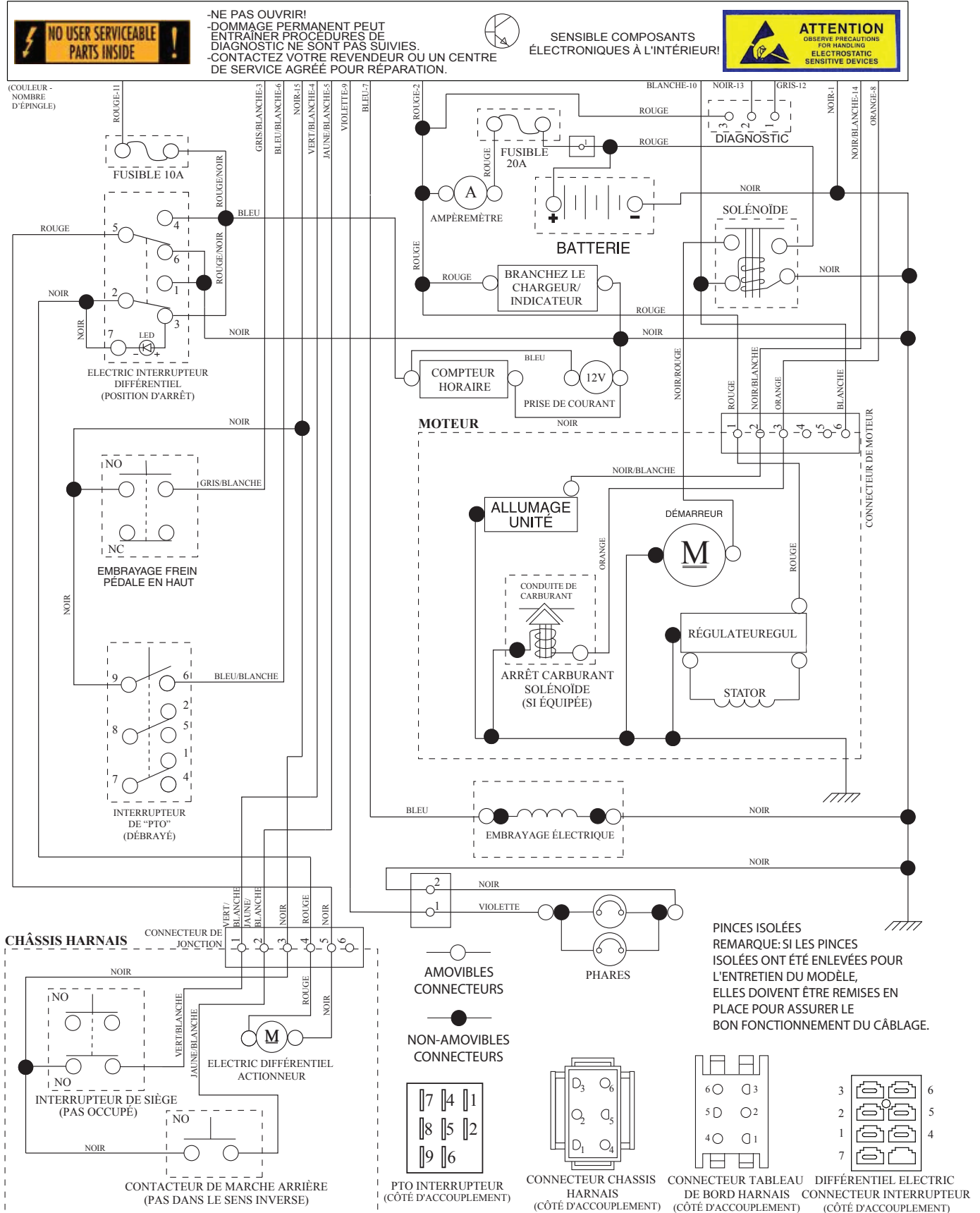
**NOTE:** All component dimensions given in U.S. inches  
1 inch = 25.4 mm

# TRACTEUR - NO. DE MODÈLE GT52XLSi (96048006600), NO. DE PROD. 960 48 00-66

## SCHÉMA

SCH29-f

### COMMUTATEUR D'ALLUMAGE SMART (S.I.S.)





**TRACTEUR - NO. DE MODÈLE GT52XLSi (96048006600), NO. DE PROD. 960 48 00-66  
ÉLECTRIQUE**

| <b>NO.<br/>DE<br/>RÉF.</b> | <b>NO<br/>DE<br/>PIÈCE</b> | <b>DESCRIPTION</b>               |
|----------------------------|----------------------------|----------------------------------|
| 1                          | 532 16 34-65               | Batterie                         |
| 2                          | 874 76 04-12               | Boulon 1/4-20 unc x 3/4          |
| 8                          | 532 18 64-91               | Bac De Batterie                  |
| 16                         | 532 17 61-38               | Interrupteur De Verrouillage     |
| 21                         | 581 60 65-01               | Harnais                          |
| 22                         | 532 00 41-52               | Ampoule #1156                    |
| 24                         | 585 73 43-04               | Câble                            |
| 25                         | 532 41 28-95               | Câble                            |
| 26                         | 532 17 51-58               | Fusible                          |
| 27                         | 873 51 04-00               | Écrou 1/4-20 unc                 |
| 28                         | 585 30 69-05               | Câble                            |
| 29                         | 581 42 93-02               | Interrupteur Du Siège            |
| 30                         | 584 79 06-01               | Contacteur D'allumage            |
| 40                         | 585 21 61-01               | Harnais Des Cables Of D'allumage |
| 41                         | 817 72 04-08               | Vis 1/4-20 unc x 1/2             |
| 42                         | 532 13 15-63               | Couverture                       |
| 43                         | 532 19 25-07               | Solénoïde                        |
| 45                         | 532 42 52-70               | Ampèremètre                      |
| 46                         | 532 42 52-71               | Compteur Horaire                 |
| 50                         | 532 17 46-51               | Interrupteur PTO                 |
| 55                         | 817 06 05-12               | Vis 5/16-18 x 3/4                |
| 59                         | 532 40 03-03               | 12V Exutoire                     |
| 71                         | 585 21 63-01               | Harnais Des Cables Of D'allumage |
| 75                         | 580 36 64-01               | Interrupteur                     |
| 79                         | 532 17 52-42               | Prise De Courant Du Phare        |
| 90                         | 532 43 53-95               | Couverture                       |
| 91                         | 532 19 02-70               | Bande                            |
| 99                         | 817 67 04-12               | Vis 1/4-20 x 3/4                 |
| 100                        | 819 09 14-16               | Rondelle 9/32 x 7/8 x 16 Ja.     |
| 102                        | 532 40 44-54               | Harnais                          |
| 103                        | 585 13 40-01               | Harnais                          |
| 105                        | 532 40 75-68               | Interrupteur                     |

**REMARQUE:** Toutes les dimensions de composant sont données en pouces É.-U. --1 pouce = 25,4 mm



**TRACTEUR - NO. DE MODÈLE GT52XLSi (96048006600), NO. DE PROD. 960 48 00-66  
CHÂSSIS/ENCEINTES**

| <b>NO.<br/>DE<br/>RÉF.</b> | <b>NO<br/>DE<br/>PIÈCE</b> | <b>DESCRIPTION</b>                 | <b>NO.<br/>DE<br/>RÉF.</b> | <b>NO<br/>DE<br/>PIÈCE</b> | <b>DESCRIPTION</b>                 |
|----------------------------|----------------------------|------------------------------------|----------------------------|----------------------------|------------------------------------|
| 2                          | 580 43 44-01               | Barre D'attelage                   | 204                        | 532 43 57-14               | Ventilé                            |
| 3                          | 532 44 44-81               | Marque De Fabrique                 | 205                        | 532 43 97-30               | Jupe C.D.                          |
| 5                          | 581 67 42-02               | Tableau De Bord                    | 206                        | 532 43 97-29               | Jupe C.G.                          |
| 14                         | 532 44 11-77               | Capot                              | 207                        | 532 43 97-34               | Biseau C.D.                        |
| 15                         | 532 43 97-33               | Lentille C.G.                      | 208                        | 532 43 97-35               | Biseau C.G.                        |
| 18                         | 532 44 06-53               | Ensemble De La Calandre            | 214                        | 532 19 91-45               | Pince D' Arrêtoir                  |
| 19                         | 819 13 13-12               | Rondelle 13/32 x 13/16 x 12 Ja.    | 217                        | 532 40 91-67               | Tige                               |
| 25                         | 532 44 33-85               | Lentille C.D.                      | 221                        | 532 19 89-09               | Réflecteur C.G.                    |
| 36                         | 817 06 05-12               | Vis 5/16-18 x 3/4                  | 228                        | 532 19 51-61               | Attache À Tenon                    |
| 37                         | 532 44 12-08               | Aile                               | 234                        | 532 40 47-42               | Pare-Chocs                         |
| 58                         | 532 19 43-14               | Support                            | 235                        | 532 40 61-29               | Entretoise De L'aile               |
| 68                         | 817 49 05-08               | Vis 5/16-18 x 1/2                  | 236                        | 873 93 05-00               | Écrou 5/16-18 unc                  |
| 125                        | 581 68 48-01               | Pince                              | 297                        | 532 43 74-56               | Insert Lentille Réfléchissant C.G. |
| 130                        | 532 41 63-58               | Vis #10 x 0.750                    | 306                        | 873 90 06-00               | Écrou                              |
| 137                        | 532 40 75-90               | Pare-Chocs                         | 335                        | 532 44 82-04               | Couverture C.D.                    |
| 146                        | 581 85 79-01               | Boulon                             | 336                        | 532 44 53-09               | Couverture C.G.                    |
| 150                        | 532 43 97-74               | Conduit D'air                      | 350                        | 532 44 51-43               | Attache                            |
| 151                        | 532 43 66-70               | Support                            | 351                        | 532 42 17-34               | Axe De Chape .375 x 2.125          |
| 152                        | 532 43 98-70               | Deflecteur                         | 352                        | 532 44 86-34               | Axe De Chape                       |
| 159                        | 817 00 06-12               | Vis 3/8-16 x 3/4                   | 353                        | 532 17 80-62               | Pince .0375                        |
| 161                        | 532 43 99-29               | Fenêtre De Carburant               | 354                        | 532 44 86-19               | Support                            |
| 162                        | 532 14 24-32               | Vis 1/4 x 1/2                      | 355                        | 532 44 86-36               | L'embrayage                        |
| 165                        | 532 19 43-30               | Support                            | 356                        | 532 44 86-93               | Tige                               |
| 175                        | 532 19 63-04               | Pièce D'entretoisement             | 357                        | 532 44 86-84               | Ressort                            |
| 176                        | 532 40 07-76               | Vis 10-24 x 5/8                    | 358                        | 580 36 66-01               | Guide                              |
| 177                        | 532 19 52-27               | Douille De La Tige                 | 359                        | 584 39 34-01               | Levier De Commande                 |
| 178                        | 532 19 97-82               | Ensemble De Filet De Fret          | 360                        | 532 44 86-18               | Support                            |
| 179                        | 532 16 89-37               | Écrou                              | 361                        | 817 49 06-10               | Vis 3/8-16 x 5/8 TY TT             |
| 180                        | 532 44 55-59               | Châssis                            | 362                        | 532 44 86-33               | Axe De Chape                       |
| 182                        | 532 40 68-59               | Tableau De Bord                    | 365                        | 532 44 73-68               | Entretoise .375 x .75 x .4375 L    |
| 183                        | 874 52 05-20               | Boulon 5/16-18 x 1-1/4             | --                         | 586 29 76-01               | Bouchon                            |
| 189                        | 817 00 05-12               | Vis 5/16-18 x 3/4                  | --                         | 532 43 18-82               | Jeu De Brosse                      |
| 191                        | 532 43 74-55               | Insert Lentille Réfléchissant C.D. |                            |                            |                                    |
| 194                        | 873 90 05-00               | Écrou 5/16-18                      |                            |                            |                                    |
| 196                        | 532 43 96-74               | Ensemble De Console                |                            |                            |                                    |
| 199                        | 532 19 82-59               | Plaque                             |                            |                            |                                    |
| 202                        | 532 43 97-28               | Ventilé C.D.                       |                            |                            |                                    |
| 203                        | 532 43 97-27               | Ventilé C.G.                       |                            |                            |                                    |

**REMARQUE:** Toutes les dimensions de composant sont données en pouces É.-U. --1 pouce = 25,4 mm



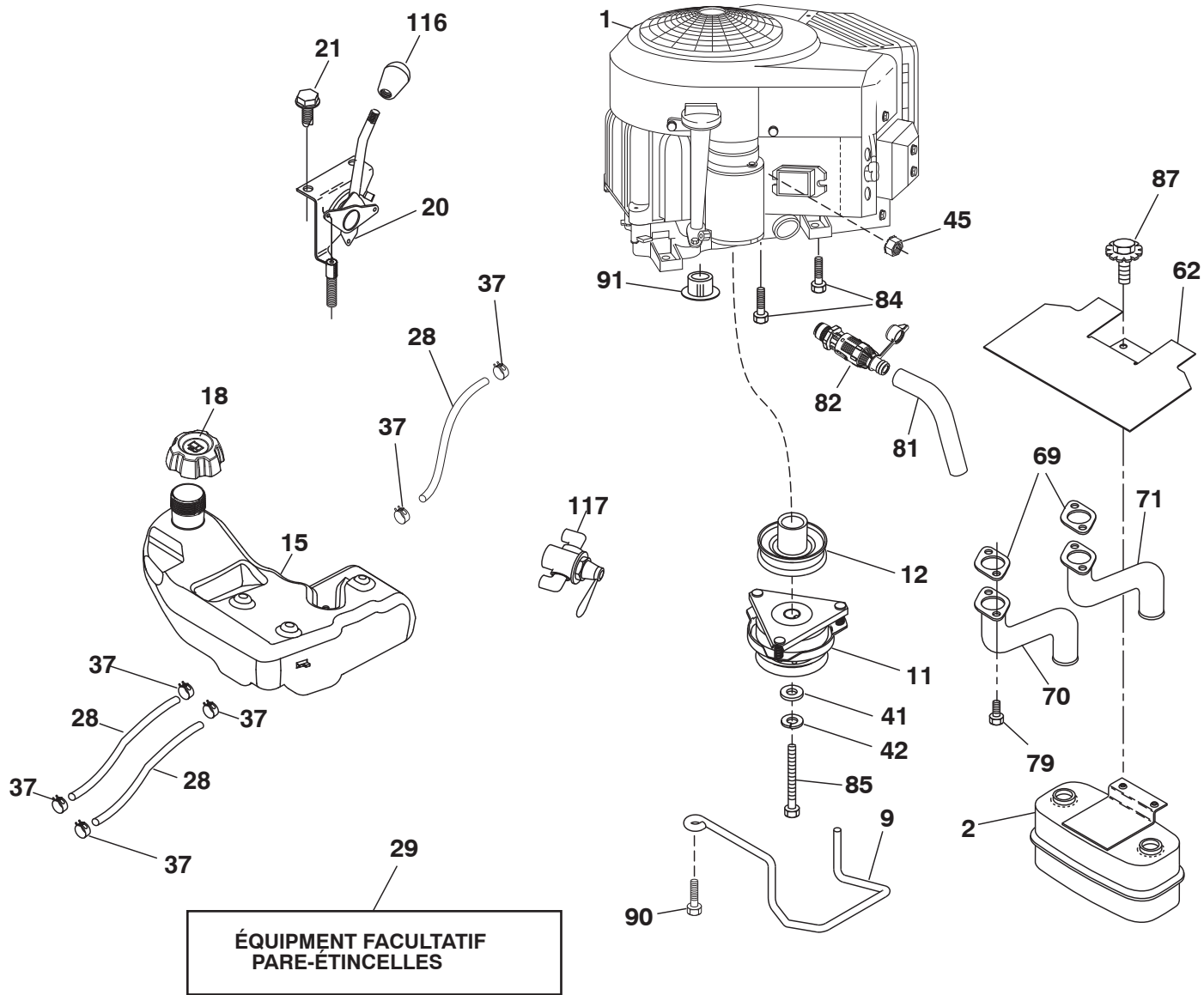


# TRACTEUR - NO. DE MODÈLE GT52XLSi (96048006600), NO. DE PROD. 960 48 00-66 ENTRAÎNEMENT

| NO. DE RÉF. | NO DE PIÈCE  | DESCRIPTION  | NO. DE RÉF. | NO DE PIÈCE  | DESCRIPTION                     |
|-------------|--------------|--|-------------|--------------|---------------------------------|
| 1           | -----        | Transmission, Tufftorq K66ELD (580402201) (Commandez les pièces du fabricant du transmission.) | 167         | 532 40 52-57 | Loquet                          |
| 2           | 532 00 70-70 | Clé 1/4 x 2.5  | 170         | 532 19 43-22 | Guide-Courroie Du Galet-Tendeur |
| 3           | 532 00 75-63 | Rondelle   | 171         | 872 11 06-16 | Boulon 3/8-16 unc x 2           |
| 7           | 532 19 98-37 | Moyeu De Roue  | 183         | 532 19 73-57 | Entretoise                      |
| 9           | 532 14 00-80 | Boulon   | 184         | 532 44 14-55 | Guidon                          |
| 15          | 819 13 13-16 | Rondelle 13/32 x 13/16 x 16 Ja.  | 185         | 872 11 06-22 | Boulon 3/8-16 unc x 2-3/4 G5    |
| 17          | 532 40 10-72 | Ressort du frein   | 186         | 532 19 43-21 | Entretoise                      |
| 26          | 532 19 96-79 | Ressort  | 187         | 819 13 32-10 | Rondelle                        |
| 29          | 532 40 72-45 | Tige Du Frein  | 188         | 532 19 43-23 | Raccord D'embrayage             |
| 33          | 812 00 00-53 | Bague En E   | 189         | 532 19 43-17 | L'embrayage                     |
| 35          | 583 86 45-01 | Tige   | 190         | 532 19 43-18 | Guide-courroie du l'embrayage   |
| 42          | 532 12 48-72 | Couverture   | 196         | 817 00 06-16 | Vis 3/8-16 x 1                  |
| 43          | 874 18 04-12 | Vis 1/4-20 x 3/4   | 197         | 532 19 97-69 | Support                         |
| 49          | 872 11 06-14 | Boulon   | 206         | 532 44 85-96 | Support                         |
| 50          | 532 19 43-27 | Poulie   | 207         | 532 19 78-68 | Guidon                          |
| 51          | 873 90 06-00 | Écrou 3/8-16   | 208         | 532 19 78-69 | Secteur Denté                   |
| 52          | 532 19 43-26 | Galet-Tendeur  | 209         | 532 19 95-92 | Tige                            |
| 56          | 532 12 59-07 | Courroie Trapézoïdale  | 210         | 532 19 78-60 | Ensemble du culbuteur           |
| 64          | 532 19 78-65 | Ensemble Du Jeu De Frein   | 211         | 532 12 01-83 | Palier De Nylon                 |
| 69          | 532 12 38-00 | Rondelle 1-1/32 x 1-5/8 x 16 Ja.   | 213         | 532 40 31-19 | Bouton                          |
| 70          | 532 43 96-61 | Ensemble du console  | 214         | 532 41 68-63 | Pédale avant                    |
| 73          | 874 49 05-44 | Boulon 5/16-18 Gr. 5   | 215         | 532 41 94-82 | Pédale inverser                 |
| 74          | 532 14 24-32 | Vis 1/4 x 1/2  | 220         | 532 19 89-08 | Réfecteur CD                    |
| 80          | 583 97 07-01 | Attache De Torsion   | 221         | 532 40 31-87 | Pince D' Arrêtior               |
| 92          | 874 76 05-20 | Boulon 5/16-18 x 1/2   | 222         | 879 21 20-10 | Rondelle 21/32 x 1-1/4 x 10 Ja. |
| 99          | 532 41 57-44 | Ressort  | 225         | 532 40 73-11 | Garde De Courroie               |
| 116         | 873 90 05-00 | Écrou 5/16-18  | 226         | 532 40 71-09 | Support                         |
| 125         | 817 00 05-12 | Vis 5/16-18 x 3/4  | 282         | 874 49 05-48 | Boulon 5/16-18 x 3.0 G5         |
| 153         | 532 12 47-88 | Ressort  | 284         | 532 41 76-93 | Écrou 1/4-20                    |
| 159         | 876 02 04-12 | Goupille Fendue 1/8 x 3/4  | 366         | 580 62 62-01 | Support                         |
| 160         | 532 16 94-84 | Pince D' Arrêtior  |             |              |                                 |
| 161         | 532 10 57-09 | Ressort  |             |              |                                 |
| 163         | 532 40 72-46 | Tige   |             |              |                                 |
| 166         | 532 42 91-64 | Écrou .625   |             |              |                                 |

**REMARQUE:** Toutes les dimensions de composant sont données en pouces É.-U. --1 pouce = 25,4 mm

**TRACTEUR - NO. DE MODÈLE GT52XLSi (96048006600), NO. DE PROD. 960 48 00-66**  
**MOTEUR**



engine-tex\_bs-2cyl\_79

# TRACTEUR - NO. DE MODÈLE GT52XLSi (96048006600), NO. DE PROD. 960 48 00-66 MOTEUR

| NO. DE RÉF. | NO DE PIÈCE  | DESCRIPTION   |
|-------------|--------------|---|
| 1           | -----        | Moteur B&S Model No. 49S877-0003-G1 (586362501)<br>(Commandez les pièces du fabricant du moteur.) |
| 2           | 532 44 59-62 | Silencieux  |
| 9           | 584 90 80-01 | Guide-Courroie Du Moteur  |
| 11          | 532 17 93-35 | Embrayage Électrique  |
| 12          | 532 19 43-43 | Poulie Du Moteur  |
| 15          | 532 42 28-04 | Réservoir D'essence   |
| 18          | 584 24 87-02 | Ensemble De Capuchon  |
| 20          | 586 21 96-01 | Commande Des Gaz/Starter  |
| 21          | 532 41 63-58 | Vis #10 x 0.750   |
| 28          | 532 14 21-58 | Conduite D'essence  |
| 29          | 532 13 71-80 | Pare-Étincelles   |
| 37          | 532 12 34-87 | Bride De Serrage  |
| 41          | 532 12 61-97 | Rondelle 1-1/2 OD x 15/32 ID x .250   |
| 42          | 810 04 07-00 | Rondelle 7/16   |
| 45          | 873 51 04-00 | Écrou 1/4-20 unc  |
| 62          | 532 43 40-17 | Défecteur   |
| 69          | 532 16 53-91 | Garniture   |
| 70          | 581 88 11-01 | Tuyau C.G.  |
| 71          | 581 88 10-01 | Tuyau C.D.  |
| 79          | 532 18 39-06 | Vis 5/16-18 x 1   |
| 81          | 532 14 84-56 | Tuyau D'huile   |
| 82          | 532 42 82-87 | Soupape   |
| 84          | 817 06 06-20 | Vis 3/8-16 x 1-1/4  |
| 85          | 532 17 99-53 | Boulon 7/16-20 x 3.75 cat. 5  |
| 87          | 532 17 18-77 | Boulon 5/16-18 unc x 3/4 avec Sems  |
| 90          | 817 00 06-16 | Vis 3/8-16 x 1  |
| 91          | 532 18 74-95 | Bushing   |
| 116         | 539 13 26-24 | Bouton  |
| 117         | 532 42 08-28 | Soupape   |

**REMARQUE:** Toutes les dimensions de composant sont données en pouces É.-U. --1 pouce = 25,4 mm

Pour des pièces de service et de rechange de moteur, réclamez le numéro de téléphone libre pour votre fabricant de moteur énuméré ci-dessous:

Briggs & Stratton 1-800-233-3723

## INFORMATIONS CONCERNANT LA PUISSANCE THÉORIQUE DU MOTEUR

La puissance brute pour chaque Modèle de moteur à essence est indiquée conformément au code J1940 (procédure de calcul de la puissance et du couple des petits moteurs) de la SAE (Society of Automotive Engineers) et les performances théoriques ont été obtenues et corrigées selon SAE J1995 (révision 2002-05). Les valeurs de couple sont calculées sur la base de 3060tr/min et celles de puissance sur la base de 3600tr/min. La puissance brute réelle du moteur peut être plus faible notamment à cause des conditions de fonctionnement et des variations d'un moteur à l'autre. Compte tenu de la grande variété de machines sur lesquelles nos moteurs sont utilisés et du nombre de problèmes environnementaux applicables au fonctionnement des équipements, il se peut que le moteur à essence ne développe pas sa puissance théorique une fois qu'il est monté sur une machine particulière (puissance nette ou réelle «sur site»). Cette différence s'explique par un grand nombre de facteurs, tels que (liste non limitative): accessoires (filtre à air, échappement, admission, refroidissement, carburateur, pompe à essence, etc.), limites d'utilisation, conditions ambiantes d'utilisation (température, humidité, altitude) et variations d'un moteur à l'autre. Pour des raisons de fabrication et de capacité limitées, Briggs & Stratton est susceptible de remplacer ce Modèle par un moteur plus puissant.

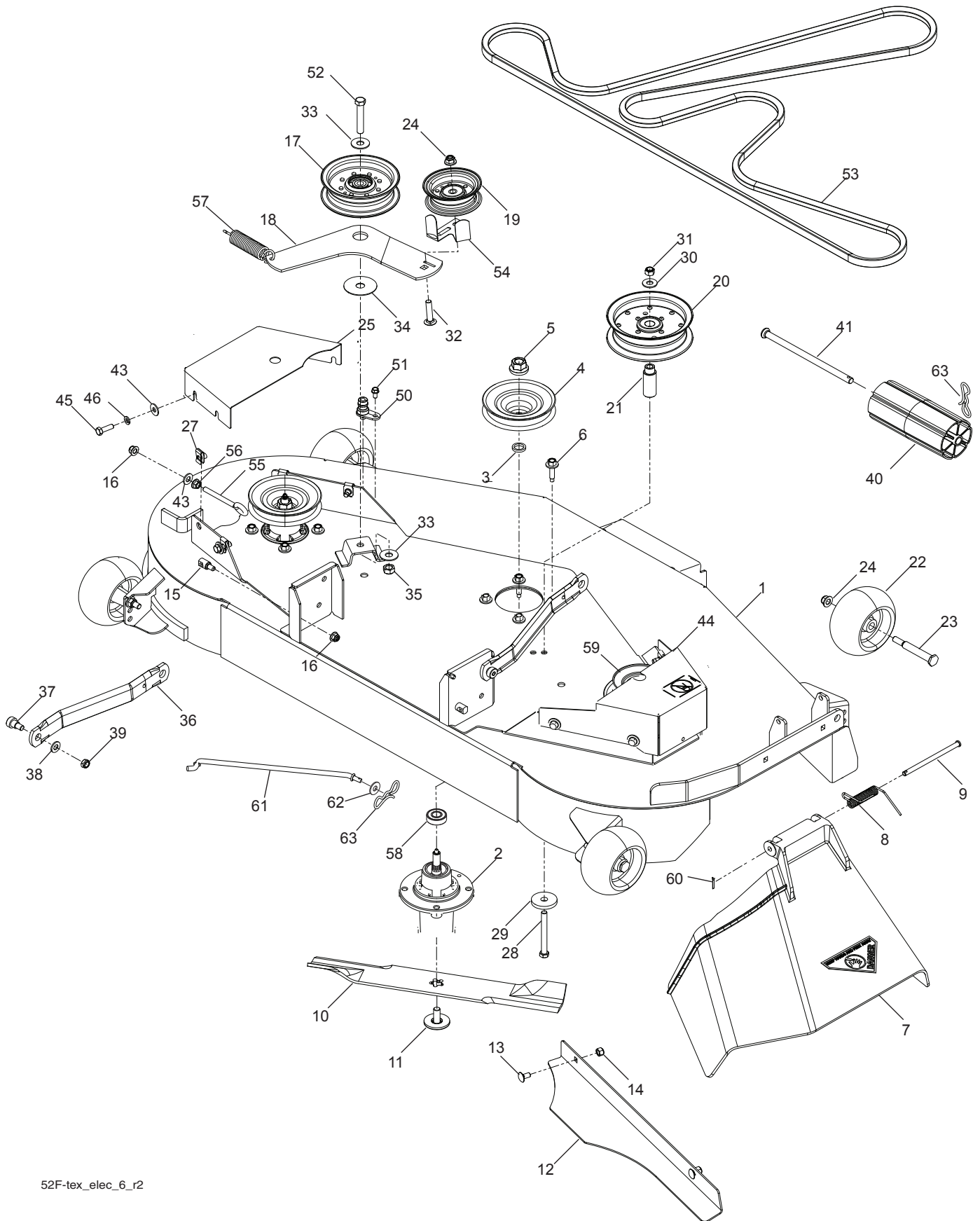


**TRACTEUR - NO. DE MODÈLE GT52XLSi (96048006600), NO. DE PROD. 960 48 00-66  
ENSEMBLE DE LA DIRECTION**

| <b>NO.<br/>DE<br/>RÉF.</b> | <b>NO<br/>DE<br/>PIÈCE</b> | <b>DESCRIPTION</b>              |
|----------------------------|----------------------------|---------------------------------|
| 1                          | 532 43 97-40               | Volant De Direction             |
| 2                          | 532 19 59-68               | Ensemble Du Essieu              |
| 4                          | 532 40 30-89               | Ensemble Du Broche C.G.         |
| 5                          | 532 40 30-90               | Ensemble Du Broche C.D.         |
| 6                          | 532 12 49-31               | Palier                          |
| 7                          | 532 12 17-48               | Rondelle 25/32 x 1-5/8 x 16 Ja. |
| 8                          | 812 00 00-29               | Pince #T5304-75                 |
| 9                          | 532 12 12-32               | Chapeau                         |
| 13                         | 532 12 17-49               | Rondelle 25/32 x 1-1/4 x 16 Ja. |
| 14                         | 810 04 06-00               | Rondelle Spr 3/8                |
| 15                         | 873 54 06-00               | Écrou 3/8-24 unf                |
| 16                         | 532 40 82-19               | Arbre De Direction              |
| 19                         | 532 19 47-29               | Plaque De Direction             |
| 21                         | 532 18 67-37               | Adaptateur De Direction         |
| 22                         | 532 42 05-37               | Support                         |
| 26                         | 532 43 97-43               | L'insert Du Volant De Direction |
| 28                         | 817 00 06-12               | Vis 3/8-16 x 3/4                |
| 35                         | 532 19 47-32               | Plaque                          |
| 45                         | 819 18 38-12               | Rondelle 9/16 x 2-3/8 x 12 Ja.  |
| 50                         | 873 90 06-00               | Écrou 3/8-16 unc                |
| 51                         | 873 94 08-00               | Écrou 1/2-20 unf                |
| 53                         | 532 18 89-67               | Rondelle .793 x 1.637 x .060    |
| 54                         | 874 76 06-36               | Boulon 3/8-16 unc x 2-1/4       |
| 55                         | 532 41 47-36               | Boulon 3/8-16 unc x 2-1/4       |
| 58                         | 532 19 47-47               | Boulon                          |
| 59                         | 532 19 47-48               | Rondelle                        |
| 60                         | 873 97 10-00               | Écrou 5/8-11                    |
| 61                         | 532 19 47-40               | Barre De Direction, C.G.        |
| 62                         | 532 19 47-41               | Barre De Direction, C.D.        |
| 63                         | 817 00 05-12               | Vis 5/16-18 x 3/4               |
| 64                         | 532 19 98-49               | Pince D' Arrêtoir               |
| 65                         | 532 19 47-34               | Support                         |
| 66                         | 871 02 07-48               | Boulon 7/16-14 x 3              |
| 67                         | 532 19 47-37               | Coussinet                       |
| 68                         | 873 90 07-00               | Écrou 7/16-14 cat. 5            |
| 69                         | 532 19 91-62               | Rondelle 1.5 x .505 x .118      |
| 70                         | 532 19 61-97               | Support                         |
| 78                         | 532 05 70-79               | Rondelle                        |
| 122                        | 532 44 49-62               | Chapeau                         |

**REMARQUE:** Toutes les dimensions de composant sont données en pouces É.-U. --1 pouce = 25,4 mm

TRACTEUR - NO. DE MODÈLE GT52XLSi (96048006600), NO. DE PROD. 960 48 00-66  
CARTER DE TONDEUSE



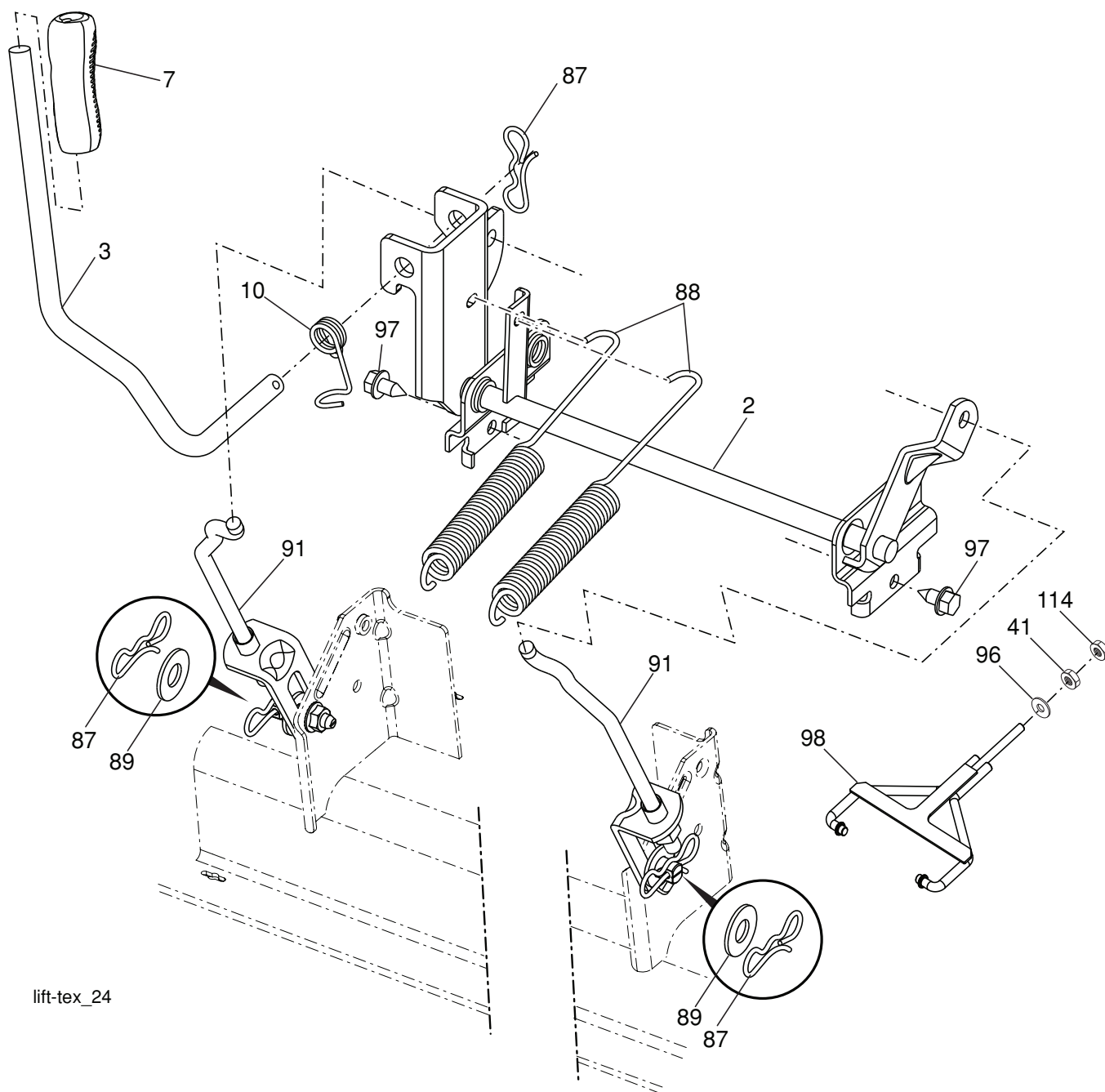
52F-tex\_elec\_6\_r2

**TRACTEUR - NO. DE MODÈLE GT52XLSi (96048006600), NO. DE PROD. 960 48 00-66  
CARTER DE TONDEUSE**

| <b>NO.<br/>DE<br/>RÉF.</b> | <b>NO<br/>DE<br/>PIÈCE</b> | <b>DESCRIPTION</b>           | <b>NO.<br/>DE<br/>RÉF.</b> | <b>NO<br/>DE<br/>PIÈCE</b> | <b>DESCRIPTION</b>                    |
|----------------------------|----------------------------|------------------------------|----------------------------|----------------------------|---------------------------------------|
| 1                          | 574 80 44-02               | Carter De Tondeuse           | 35                         | 873 90 07-00               | Écrou 7/16-14                         |
| 2                          | 539 11 21-70               | Ensemble Du Boîtier          | 36                         | 532 19 51-85               | Bras De Suspension                    |
| 3                          | 539 18 76-90               | Rondelle                     | 37                         | 539 11 36-21               | Vis 3/8-16 x 3/8                      |
| 4                          | 532 17 43-75               | Poulie Du Mandrin            | 38                         | 819 13 13-16               | Rondelle 13/32 x 13/16 x 16 Ja.       |
| 5                          | 539 40 02-34               | Écrou 9/16                   | 39                         | 539 20 02-82               | Écrou 3/8-16                          |
| 6                          | 532 17 39-84               | Vis                          | 40                         | 532 17 60-66               | Rouleau-Guide                         |
| 7                          | 539 11 07-33               | Glissière 132 cm             | 41                         | 532 17 91-27               | Tige Du Rouleau-Guide                 |
| 8                          | 539 11 07-35               | Ressort                      | 43                         | 819 12 14-14               | Rondelle 3/8 x 7/8 x 14 Ja.           |
| 9                          | 539 11 07-36               | Axe De Chape 5/16 x 5.19     | 44                         | 575 96 73-02               | Défecteur C.D.                        |
| 10                         | 574 87 08-01               | Blade, 16-1/4"               | 45                         | 874 78 05-16               | Boulon 5/16-18 x 1                    |
| 11                         | 532 19 30-03               | Boulon 7/16                  | 46                         | 810 03 05-00               | Rondelle 5/16                         |
| 12                         | 574 87 50-01               | Plaque                       | 50                         | 532 41 55-98               | Raccord de lavage du plateau de coupe |
| 13                         | 539 99 07-99               | Boulon 5/16-18 x 5/8 cat. 5  | 51                         | 817 49 04-08               | Boulon 1/4-20 x 1                     |
| 14                         | 873 80 05-00               | Écrou 5/16-18 unc            | 52                         | 874 78 07-40               | Boulon 7/16-14 x 2-1/2                |
| 15                         | 532 19 51-61               | Attache À Tenon              | 53                         | 574 84 56-03               | Courroie                              |
| 16                         | 539 11 28-99               | Écrou 5/16-18                | 54                         | 532 14 10-43               | Défecteur                             |
| 17                         | 532 19 61-04               | Poulie                       | 55                         | 539 11 55-74               | Boulon 5/16 x 3-1/2                   |
| 18                         | 574 84 18-01               | Bras Du Galet-Tendeur        | 56                         | 539 99 05-85               | Écrou 5/16-18                         |
| 19                         | 532 17 79-68               | Poulie De Tension            | 57                         | 539 10 68-50               | Ressort                               |
| 20                         | 539 13 27-28               | Poulie De Tension            | 58                         | 532 11 04-85               | Roulement À Billes                    |
| 21                         | 575 22 45-01               | Coussinet                    | 59                         | 575 35 29-01               | Poulie                                |
| 22                         | 532 13 39-57               | Support De Roue              | 60                         | 532 16 94-84               | Pince D' Arrêtoir                     |
| 23                         | 532 19 34-06               | Boulon                       | 61                         | 532 40 03-37               | Tige                                  |
| 24                         | 521 99 65-01               | Écrou 3/8-16                 | 62                         | 819 13 13-12               | Rondelle 13/32 x 13/16 x 12 Ja.       |
| 25                         | 575 22 47-02               | Défecteur C.G.               | 63                         | 532 19 42-08               | Goupille Fendue 5/16                  |
| 27                         | 539 10 47-63               | Arrêtoir 5/16                | --                         | 532 41 64-05               | Connecter D'accouplement Du Rapide    |
| 28                         | 539 10 82-71               | Boulon 3/8-16 x 3-1/2 cat. 5 | --                         | 532 44 53-61               | Carter De Tondeuse Complet            |
| 29                         | 539 10 65-04               | Rondelle                     |                            |                            |                                       |
| 30                         | 819 14 16-14               | Rondelle 3/8                 |                            |                            |                                       |
| 31                         | 539 97 69-79               | Écrou 3/8-16                 |                            |                            |                                       |
| 32                         | 539 99 09-23               | Boulon 3/8-16 x 1-3/4 cat. 5 |                            |                            |                                       |
| 33                         | 539 10 48-64               | Rondelle 7/16                |                            |                            |                                       |
| 34                         | 532 17 85-15               | Rondelle                     |                            |                            |                                       |

**REMARQUE:** Toutes les dimensions de composant sont données en pouces E.-U. --1 pouce = 25,4 mm

**TRACTEUR - NO. DE MODÈLE GT52XLSi (96048006600), NO. DE PROD. 960 48 00-66  
LEVAGE DE TONDEUSE**



lift-tex\_24

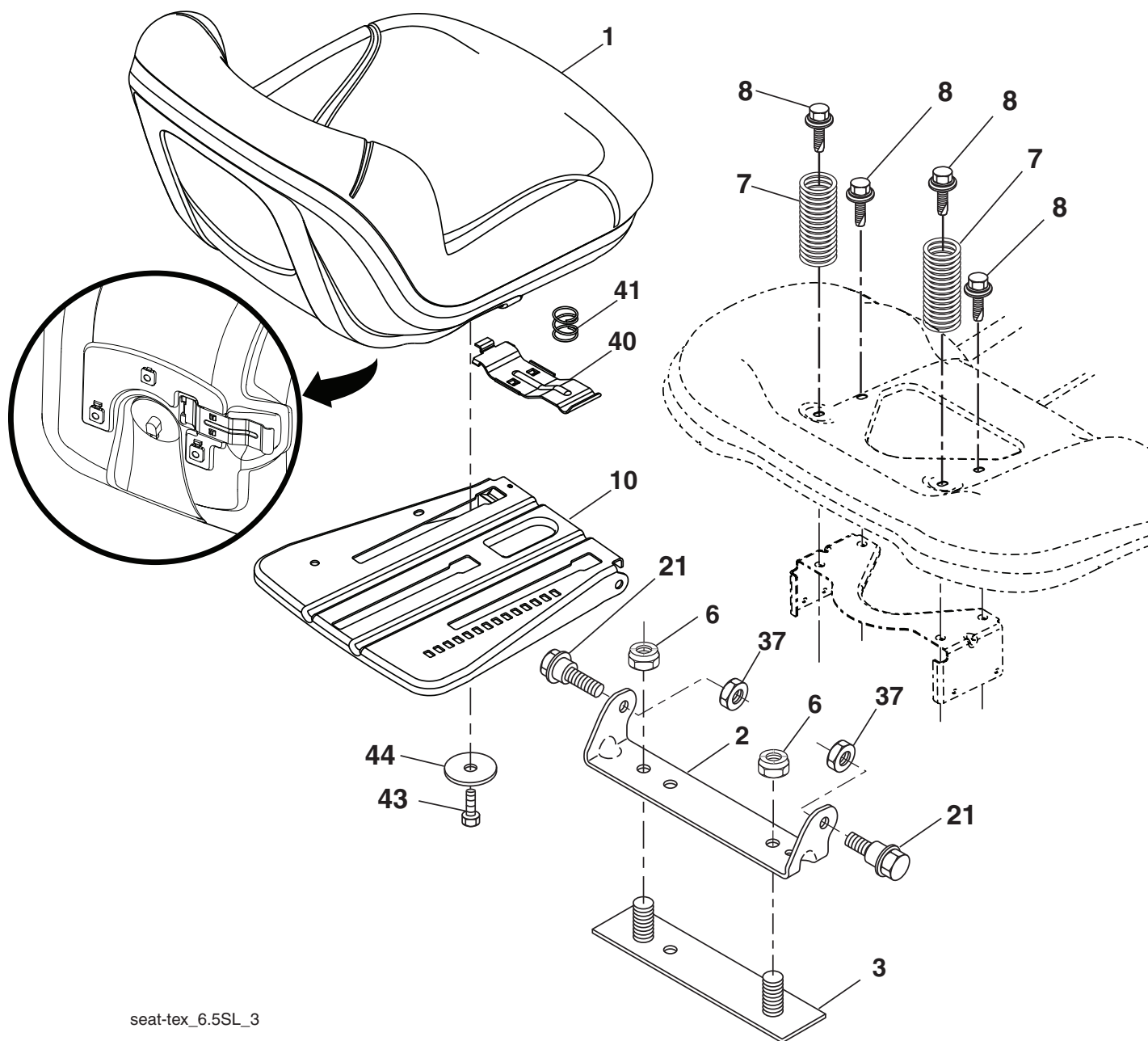
| NO. DE RÉF. | NO DE PIÈCE  | DESCRIPTION                        |
|-------------|--------------|------------------------------------|
| 2           | 532 42 20-27 | Arbre                              |
| 3           | 532 19 52-30 | Ensemble de l'arbre de levage C.D. |
| 7           | 580 96 23-01 | Poignée du levier                  |
| 10          | 532 19 63-14 | Ressort de torsion                 |
| 41          | 532 17 59-94 | Écrou                              |
| 87          | 532 19 42-09 | Goupille fendue 7/16               |
| 88          | 532 19 53-04 | Ressort                            |
| 89          | 819 19 19-12 | Rondelle                           |
| 91          | 532 40 34-07 | Raccord                            |

| NO. DE RÉF. | NO DE PIÈCE  | DESCRIPTION      |
|-------------|--------------|------------------|
| 96          | 532 19 52-63 | Coussinet        |
| 97          | 817 00 06-12 | Vis 3/8-16 x .75 |
| 98          | 574 82 25-01 | Raccord          |
| 114         | 873 36 07-00 | Écrou 7/16-20    |

**REMARQUE:** Toutes les dimensions de composant sont données en pouces É.-U. --1 pouce = 25,4 mm



**TRACTEUR - NO. DE MODÈLE GT52XLSi (96048006600), NO. DE PROD. 960 48 00-66  
ENSEMBLE DU SIÈGE**



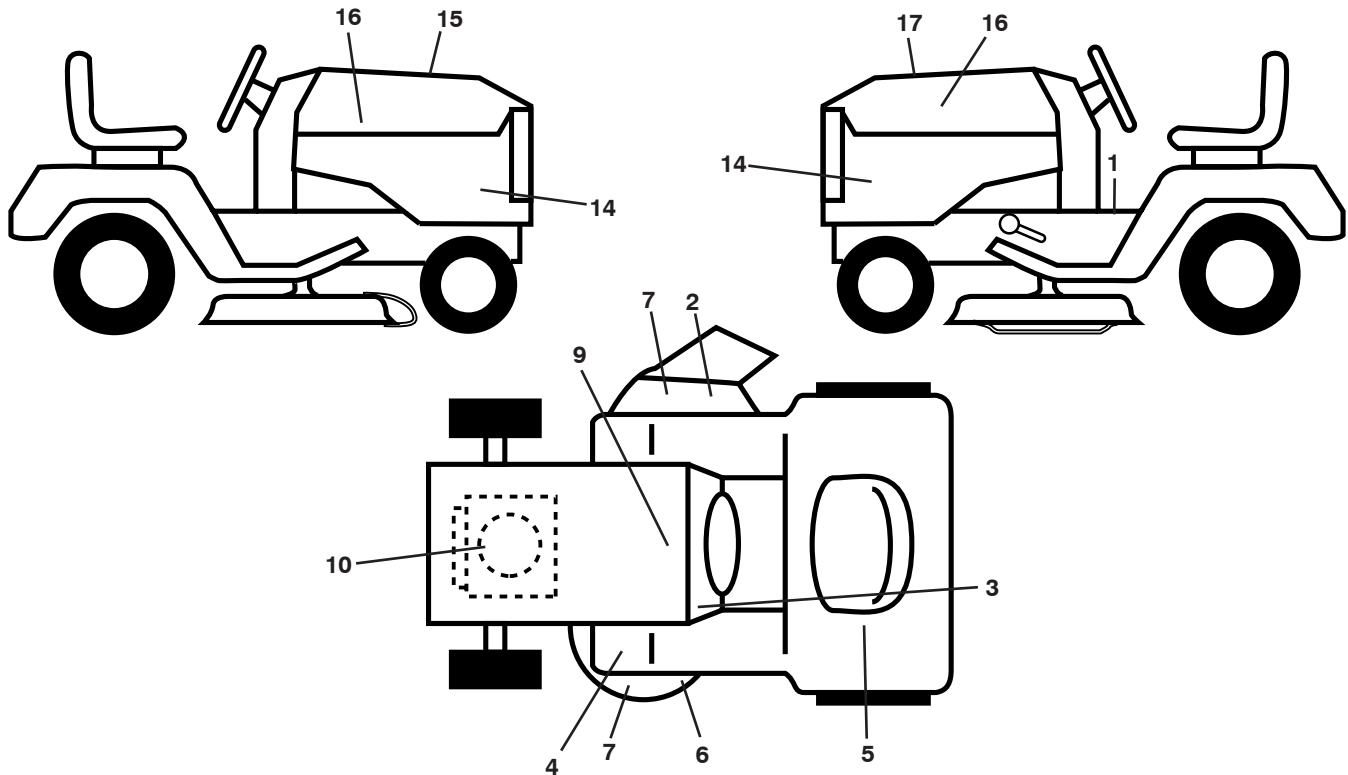
seat-tex\_6.5SL\_3

| NO. DE RÉF. | NO DE PIÈCE  | DESCRIPTION                        |
|-------------|--------------|------------------------------------|
| 1           | 532 44 32-63 | Siège                              |
| 2           | 532 18 01-66 | Support de pivot                   |
| 3           | 532 14 06-75 | Attache de l'ensemble de l'aile    |
| 6           | 873 80 06-00 | Écrou frein avec insert 3/8-16 unc |
| 7           | 532 12 41-81 | Ressort de compression du siège    |
| 8           | 532 17 18-77 | Boulon 5/16-18 unc x 3/4           |
| 10          | 532 19 69-77 | Cuvette du siège                   |
| 21          | 532 17 18-52 | Boulon à épaulement 5/16-18        |

| NO. DE RÉF. | NO DE PIÈCE  | DESCRIPTION                     |
|-------------|--------------|---------------------------------|
| 37          | 873 80 05-00 | Écrou frein 5/16-18 unc         |
| 40          | 532 43 98-71 | Guidon                          |
| 41          | 532 19 82-00 | Ressort de compression          |
| 43          | 874 76 06-12 | Boulon 3/8-16 x 3/4             |
| 44          | 819 13 38-12 | Rondelle 13/32 x 2-3/8 x 12 Ja. |

**REMARQUE:** Toutes les dimensions de composant sont données en pouces É.-U. --1 pouce = 25,4 mm

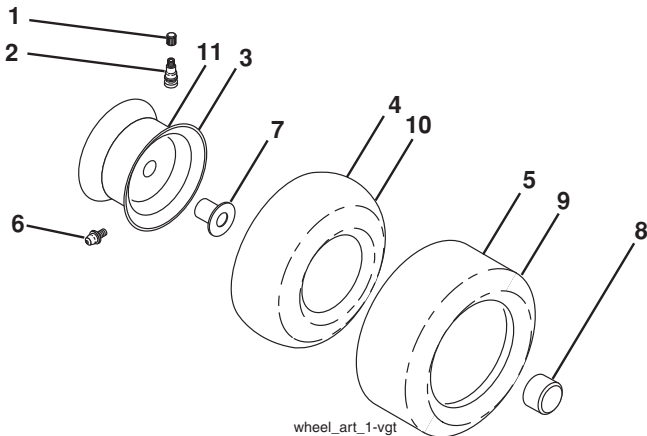
**TRACTEUR - NO. DE MODÈLE GT52XLSi (96048006600), NO. DE PROD. 960 48 00-66  
DÉCALCOMANIE**



| NO. DE RÉF. | NO DE PIÈCE  | DESCRIPTION                                  |
|-------------|--------------|--|
| 1           | 586 34 95-01 | Décalcomanie                                 |
| 2           | 581 72 44-01 | Décalcomanie D'avertissement                 |
| 3           | 586 06 62-01 | Décalcomanie                                 |
| 4           | 532 41 86-00 | Décalcomanie De Pédale                       |
| 5           | 585 38 55-01 | Décalcomanie                                 |
| 6           | 581 58 00-02 | Décalcomanie                                 |
| 7           | 581 72 43-01 | Décalcomanie D'avertissement                 |
| 9           | 532 14 50-05 | Décalcomanie De Danger/Poison De La Batterie |
| 10          | 585 91 51-01 | Décalcomanie Du Moteur                       |

| NO. DE RÉF. | NO DE PIÈCE  | DESCRIPTION                                      |
|-------------|--------------|--|
| 14          | 585 68 15-01 | Décalcomanie                                     |
| 15          | 532 42 38-29 | Décalcomanie Responsabilités Du Client           |
| 16          | 581 62 73-01 | Décalcomanie Du Capot                            |
| 17          | 586 36 35-01 | Décalcomanie                                     |
| --          | 581 72 48-01 | Décalcomanie Commande De Dérivation              |
| --          | 532 43 98-82 | Coussin Du Repose-Pied C.G.                      |
| --          | 532 43 98-81 | Coussin Du Repose-Pied C.D.                      |
| --          | 586 38 22-32 | Manuel de L'Opérateur (Anglais/Français)         |
| --          | 586 38 23-24 | Manuel des Pièces de Rechange (Anglais/Français) |

**ROUES & PNEUS**



| NO. DE RÉF. | NO DE PIÈCE  | DESCRIPTION   |
|-------------|--------------|---|
| 1           | 532 05 91-92 | Capuchon de la valve du pneu                            |
| 2           | 532 06 51-39 | Tubulure de la valve                                    |
| 3           | 532 18 18-39 | Ensemble de la jante antérieure                         |
| 4           | 532 00 81-34 | Chambre à air antérieure                                |
| 5           | 532 16 10-24 | Pneu F 16 x 6.5-8                                       |
| 6           | 532 12 49-57 | Graisseur (roue antérieure seulement)                   |
| 7           | 532 12 49-59 | Palier à bride (roue antérieure seulement)              |
| 8           | 532 17 50-39 | Chapeau de l'essieu                                     |
| 9           | 532 17 04-53 | Pneu R 23 x 10.5-12                                     |
| 10          | 532 00 71-54 | Chambre à air arrière                                   |
| 11          | 532 14 45-10 | Ensemble de la jante arrière                            |
| --          | 532 14 43-34 | Joint d'étanchéité de pneu (tube de .30L [10 oz. Tube]) |

**REMARQUE:** Toutes les dimensions de composant sont données en pouces É.-U. --1 pouce = 25,4 mm

---

# **SERVICE NOTES/REMARQUES D'ENTRETIEN**

---

**01/15/2014 TH**