

# Repair Parts Manual Manual De Repuestos

YTA19K42/96048006800

Please read the operator's manual carefully and make sure you understand the instructions before using the machine.

Lisez très attentivement et soyez certain de comprendre ces instructions avant d'utiliser cette machine.



**English/French**

**585 90 71-27 Rev. 2**



# HOW TO USE THIS MANUAL

This manual is designed to provide the customer with a means to identify the parts on his/her tractor when ordering repair parts. The illustrations may or may not represent the actual assemblies; therefore, it is not recommended to use this manual as a guide to assemble or disassemble the tractor. Some hardware and parts are drawn larger in order to more readily identify them.

Each tractor has its own model number.

The model number for your tractor can be found on the fender under the seat.

When ordering parts, always give the following information:

- Product - "TRACTOR"
- MODEL NUMBER - "YTA19K42" (96048006800)"
- Part Number
- Part Description

## TABLE OF CONTENTS

SCHEMATIC .....	3
ELECTRICAL.....	4-5
CHASSIS .....	6-7
DRIVE.....	8-9
ENGINE.....	10-11
STEERING .....	12-13
MOWER DECK.....	14-15
MOWER LIFT.....	16
SEAT .....	17
DECALS.....	18

## COMMENT UTILISER CE MANUEL

Ce manuel a été dessiné pour fournir le client avec les moyens d'identification des pièces de détachées du tracteur quand il/elle a besoin de commander les pièces de rechange. Les illustrations ne peuvent pas représenter exactement le modèle que vous avez acheté. N'utilisez pas ce manuel comme un guide dans le montage et/ou démontage de votre tracteur. La visserie montrée est plus grande pour faciliter l'identification.

Chaque tracteur a un numéro de modèle particulier.

Le numéro de modèle du produit se trouvera sur l'aile, dessous le siège.

Lorsque vous commandez des pièces de rechange, donnez toujours les renseignements suivants:

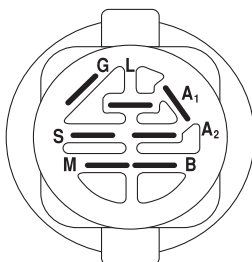
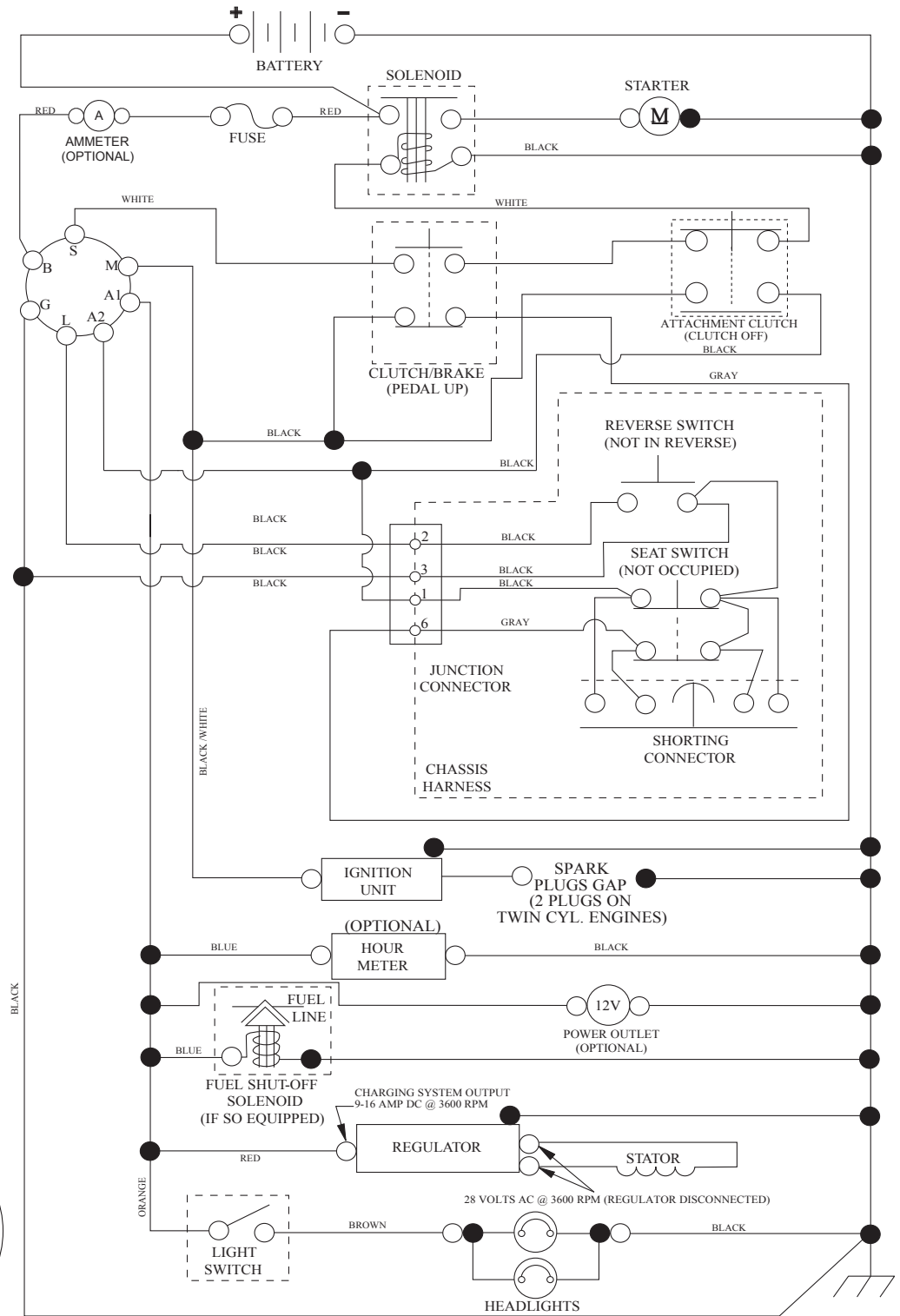
- Produit - "TRACTEUR"
- NUMÉRO DU MODÈLE - "YTA19K42" (96048006800)"
- Numéro de la Pièce
- Description de la Pièce

## TABLE DE MATIERES

SCHÉMA .....	19
ELECTRIQUE .....	20-21
CHÂSSIS/ENCEINTES.....	22-23
ENTRAÎNEMENT .....	24-25
MOTEUR.....	26-27
ENSEMBLE DE LA DIRECTION.....	28-29
CARTER DE TONDEUSE.....	30-31
LEVAGE DE LA TONDEUSE.....	32
ENSEMBLE DU SIÈGE .....	33
DECALCOMANIES.....	34

# TRACTOR - MODEL NO. YTA19K42 (96048006800), PRODUCT NO. 960 48 00-68 SCHEMATIC

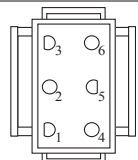
SCH10



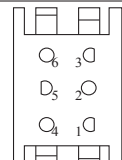
IGNITION SWITCH

POSITION	CIRCUIT	"MAKE"
OFF	M+G+A1	
RUN/OVERRIDE	B+A1	
RUN	B+A1	L+A2
START	B + S + A1	

03107



CHASSIS HARNESS CONNECTOR (MATING SIDE)



DASH HARNESS CONNECTOR (MATING SIDE)

WIRING INSULATED CLIPS  
NOTE: IF WIRING INSULATED CLIPS WERE REMOVED FOR SERVICING OF UNIT, THEY SHOULD BE RE-INSTALLED TO PROPERLY SECURE YOUR WIRING.

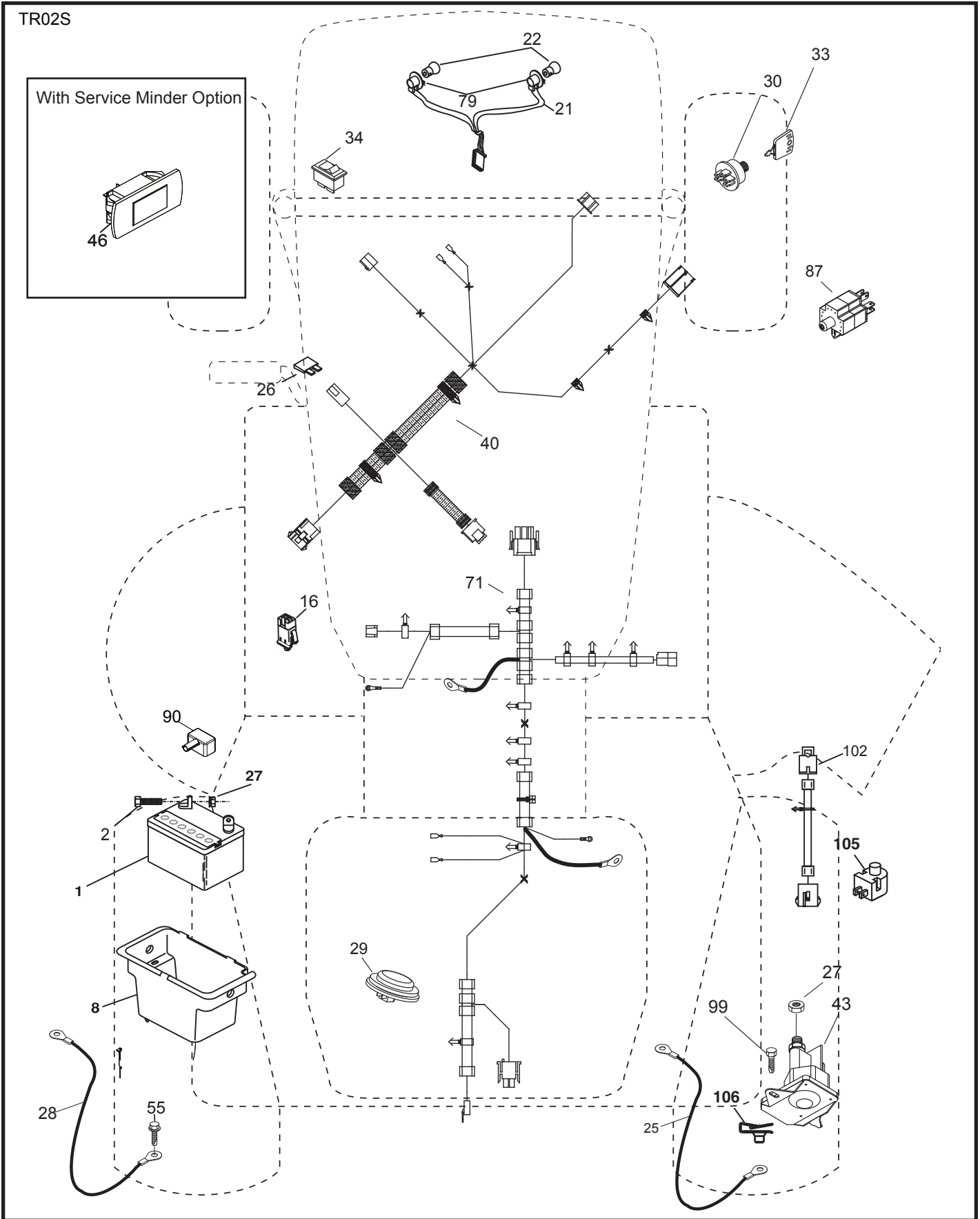


NON-REMOVABLE CONNECTIONS



REMOVABLE CONNECTIONS

**TRACTOR - MODEL NO. YTA19K42 (96048006800), PRODUCT NO. 960 48 00-68  
ELECTRICAL**



**TRACTOR - MODEL NO. YTA19K42 (96048006800), PRODUCT NO. 960 48 00-68  
ELECTRICAL**

<b>KEY NO.</b>	<b>PART NO.</b>	<b>DESCRIPTION</b>
1	532 16 34-65	Battery
2	874 76 04-12	Bolt Hex Head 1/4-20 x 3/4
8	532 19 32-28	Box Battery
16	532 17 61-38	Switch Interlock Push-In
21	532 40 02-52	Harness Socket Light w/4152J
22	532 00 41-52	Bulb Light
25	581 49 80-01	Cable Starter
26	532 17 51-58	Fuse
27	873 51 04-00	Nut Keps Hex 1/4-20 unc
28	532 42 16-86	Cable, Ground
29	532 40 15-45	Switch, Seat
30	532 19 33-50	Switch, Ign
33	532 41 19-35	Key/Chain
34	532 11 07-12	Switch Light/Reset
40	581 02 31-01	Harness Ign. Dash
43	532 19 25-07	Solenoid
46	532 40 17-63	Guage Hourmeter
55	817 06 05-12	Screw Thdrol 5/16-18 x 3/4
71	581 02 30-01	Harness Chassis
79	532 17 52-42	Socket Asm Bulb Twistlock
87	532 19 78-02	Switch Interlock Clutch Cable
90	532 43 53-95	Cover, Terminal Battery
99	817 67 04-12	Screw
102	581 02 34-01	Harness Pigtail
105	532 40 75-68	Switch Reverse
106	532 17 48-14	Pal Nut

**NOTE:** All component dimensions given in U.S. inches  
1 inch = 25.4 mm



**TRACTOR - MODEL NO. YTA19K42 (96048006800), PRODUCT NO. 960 48 00-68  
CHASSIS**

<b>KEY NO.</b>	<b>PART NO.</b>	<b>DESCRIPTION</b>	<b>KEY NO.</b>	<b>PART NO.</b>	<b>DESCRIPTION</b>
3	532 44 44-81	Logo	191	532 43 74-55	Insert Reflective RH
5	581 46 69-01	Dash	194	873 90 05-00	Nut Lock Hex Flange 5/16-18
14	532 44 11-77	Hood	195	532 40 41-37	Plug Hole Dash
15	532 43 97-33	Lens LH	196	532 43 96-47	Console Asm. Deck Lift
18	532 44 06-53	Grille	202	532 43 97-28	Vent Hood RH
25	532 44 33-85	Lens RH	203	532 43 97-27	Vent Hood LH
34	580 91 08-01	Plate Engine	204	532 43 57-14	Vent Top Hood
36	817 06 05-12	Screw 5/16-18 x 3/4	205	532 43 97-30	Skirt Side RH
37	532 44 12-06	Fender	206	532 43 97-29	Skirt Side LH
52	873 68 05-00	Nut lock 5/16-18	207	532 43 97-34	Bezel Light RH
58	532 41 22-80	Drawbar, Upper 2 Pc.	208	532 43 97-35	Bezel Light LH
68	817 49 05-08	Screw Thdrol. 5/16-18 x 1/2	213	874 76 05-12	Bolt Hex Hd. 5/16-18 unc x 3/4
130	532 41 63-58	Screw #10 x 0.750	214	532 19 91-45	Clip Retainer
137	532 40 75-90	Bumper Dash	217	532 40 91-67	Rod Pivot Chassis
138	532 43 97-47	Cupholder	218	532 19 63-95	X-Piece Hood Stop
150	532 43 97-74	Duct Heat Hood	228	532 19 51-61	Stud Fastener
151	532 43 66-70	Bracket Pivot	234	532 40 47-42	Bumper Hood
152	532 43 98-70	Shield Browning	235	532 40 61-29	Spacer Fender
159	817 00 06-12	Screw Hex Wsh. Thdrol. 3/8-16x3/4	236	873 93 05-00	Nut center Lock 5/16-18
162	532 14 24-32	Screw Hex Wsh. Hi-Lo 1/4 x 1/2	287	817 60 04-06	Screw 1/4-20 x 3/8
175	532 19 63-04	Crossmember	297	532 43 74-56	Insert Reflective LH
176	532 40 07-76	Screw 10-24 x 5/8 Wshd. Qdrx.	335	532 44 82-04	Cover Lower Dash RH
177	532 19 52-27	Bushing Steering	336	532 44 53-09	Cover Lower Dash LH
180	532 41 50-63	Chassis	350	532 44 51-43	Clip
181	532 43 97-46	Bushing Mtg. Fender Crgo.			
182	532 40 68-59	Dash Lower			
183	874 52 05-20	Bolt 5/16-18 x 1-1/4			
189	817 00 05-12	Screw 5/16-18 x 3/4			

**NOTE:** All component dimensions given in U.S. inches  
1 inch = 25.4 mm





**TRACTOR - MODEL NO. YTA19K42 (96048006800), PRODUCT NO. 960 48 00-68  
DRIVE**

KEY NO.	PART NO.	DESCRIPTION	KEY NO.	PART NO.	DESCRIPTION
1	---	Transaxle, Variator SD Pedal (584973901) (Order parts from transaxle manufacturer.)	187	819 13 32-10	Washer 13/32 x 2 x 10 Ga.
2	532 12 35-83	Key Square	188	532 19 43-23	Link Clutch Ground Drive
5	874 76 06-36	Bolt 3/8-16 x 2-1/4	189	532 19 43-17	Bellcrank Ground Drive
6	532 12 40-28	Bushing Snap	190	532 19 43-18	Keeper, Bellcrank
15	819 13 13-16	Washer 13/32 x 13/16 x 16 Ga.	195	581 50 46-01	Bracket Brake
17	584 95 40-01	Spring, Brake	203	819 11 11-16	Washer 11/32 x 11/16 x 16 Ga.
26	532 19 96-79	Spring Return Cruise	205	532 12 17-48	Washer 25/32 x 1-5/8 16 Ga.
29	584 82 31-01	Brake VATR	206	532 44 85-96	Bracket Mount Cruise Latch
33	812 00 00-01	Ring E	207	532 44 82-64	Latch Control Cruise
35	583 86 45-01	Rod, Brake, Park	209	532 19 95-92	Rod Control Cruise
37	532 18 89-67	Washer .793 x 1.637 x 060	210	532 44 82-70	Rocker Asm. Pedal
42	532 12 48-72	Cover, Foot Pedal	211	532 12 01-83	Bearing Nylon
49	872 11 06-14	Bolt 3/8-16 unc	213	532 40 31-19	Knob Control Cruise
50	532 19 43-27	Idler Flat	214	532 42 12-63	Pedal Forward
51	873 90 06-00	Nut Lock	215	532 44 82-54	Pad Pedal Reverse
52	532 19 43-26	Idler V-Groove	221	532 40 31-87	Retainer Spring
56	532 19 72-53	V-Belt, Drive	222	879 21 20-10	Washer Flat
64	532 44 83-53	Subasm. Shaft Pedal Brake	278	580 36 91-01	Bolt Cruise Variator
67	819 13 13-12	Washer 13/32 x 13/16 x 12 Ga.	282	874 49 05-48	Screw Thdrol 5/16-18 x 3
73	874 49 05-44	Bolt Hex 5/16-18 x 3.75	299	532 41 56-83	Bracket Mount
92	874 76 05-20	Bolt 5/16-18 x 1.25	300	532 41 56-81	Keeper Idler
99	532 43 59-35	Rod Bypass	301	532 41 56-80	Pulley Idler Groove
116	873 90 05-00	Nut Lock Hex Flange 5/16-18	302	581 42 05-01	Puller Idler Flat
125	817 00 05-12	Screw 5/16-18 x 3/4	303	872 11 06-18	Bolt
143	817 49 05-08	Screw Thdrol 5/16-18 x 1/2 TYTT	306	876 02 04-16	Cotter Pin
159	876 02 04-12	Pin Cotter 1/8 x 3/4	345	872 11 06-06	Bolt 3/8-16 unc
160	532 16 94-84	Retainer Clip	373	581 46 18-01	Spacer Idler
161	532 10 57-09	Spring Return Clutch	374	581 47 52-01	Arm Control Brake
163	583 97 13-01	Rod Control	375	873 68 06-00	Nut Crownlock 3/8-16 unc
166	532 42 91-64	Nut Push .625	376	532 42 65-89	Nut 5/16-18
167	532 40 52-57	Latch Brake Parking	377	584 30 34-01	Gear Sector
172	583 97 42-01	Strap Torque	378	584 28 77-01	Push Nut 8 mm
184	532 44 14-55	Handle Park Brk.			
185	872 11 06-22	Bolt 3/8-16 unc x 2-3/4			
186	532 19 43-21	Spacer Retainer			

**NOTE:** All component dimensions given in U.S. inches  
1 inch = 25.4 mm



**TRACTOR - MODEL NO. YTA19K42 (96048006800), PRODUCT NO. 960 48 00-68  
ENGINE**

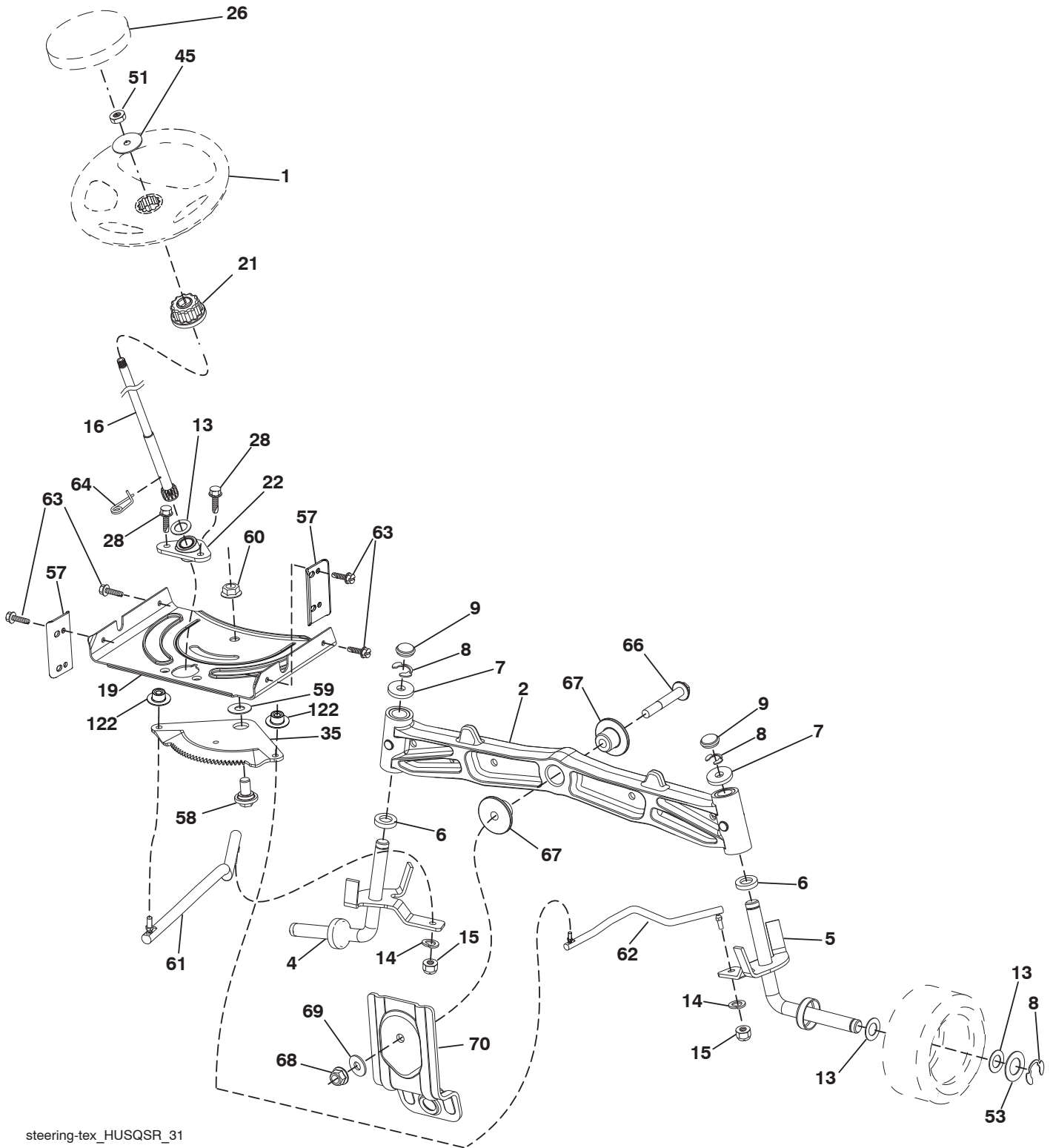
<b>KEY PART NO.</b>	<b>PART NO.</b>	<b>DESCRIPTION</b>
1	— — — — —	Engine Kohler Model No. SV591-3216 (585507801)(Order parts from engine manufacturer.)
2	532 44 67-60	Muffler
9	532 19 43-19	Keeper Belt Engine
12	532 40 19-85	Pulley Engine
15	581 29 01-01	Tank Fuel
18	532 43 02-20	Cap Fuel
20	532 40 15-08	Control Throttle
21	532 41 63-58	Screw #10 x 0.750
28	532 40 11-37	Fuel Line
29	532 13 71-80	Spark Arrester Kit
37	532 12 34-87	Clamp Hose
42	810 04 07-00	Washer Lock 7/16
45	873 51 04-00	Nut Keps Hex 1/4-20 unc
69	532 18 59-09	Gasket
79	532 19 23-34	Screw Socket Hd 5/16-18 x .75
85	532 17 39-37	Bolt Hex 7/16-20 x 4 x Gr. 5-1.5
87	532 17 18-77	Bolt 5/16-18 unc x 3/4 w/Sems
90	817 00 06-16	Screw 3/8-16 x 1
92	817 12 06-16	Screw 3/8-16 x 1
94	583 95 53-01	Tube Exhaust
96	819 09 14-16	Washer 9/32 x 7/8 x 16 Ga.
97	817 67 04-12	Screw 1/4-20 x 3/4
122	532 42 19-22	Extension Drain Oil

**NOTE:** All component dimensions given in U.S. inches  
1 inch = 25.4 mm

For engine service and replacement parts, call the toll free  
number for your engine manufacturer listed below:

Kohler Co. 1-800-544-2444

**TRACTOR - MODEL NO. YTA19K42 (96048006800), PRODUCT NO. 960 48 00-68**  
**STEERING ASSEMBLY**



steering-tex\_HUSQSR\_31

**TRACTOR - MODEL NO. YTA19K42 (96048006800), PRODUCT NO. 960 48 00-68  
STEERING ASSEMBLY**

<b>KEY NO.</b>	<b>PART NO.</b>	<b>DESCRIPTION</b>
1	532 43 99-97	Wheel, Steering
2	532 19 59-68	Axle Asm., Front
4	532 40 30-87	Spindle Asm., LH
5	532 40 30-88	Spindle Asm., RH
6	532 12 49-31	Bearing, Race Thrust Harden
7	532 12 17-48	Washer 25/32 x 1-5/8 x 16 Ga.
8	812 00 00-29	Ring, Klip #T5304-75
9	532 12 12-32	Cap, Spindle
13	532 12 17-49	Washer 25/32 x 1-1/4 x 16 Ga.
14	810 04 06-00	Washer, Lock Hvy Hlcl Spr 3/8
15	873 54 06-00	Nut, Crown Lock 3/8-24 unf
16	532 40 82-19	Shaft Steering
19	532 19 47-29	Plate Steering
21	532 18 67-37	Adapter, Wheel Steering
22	532 42 05-37	Strg. Supt. Lower
26	532 43 97-43	Insert, Wheel Steering
28	817 00 06-12	Screw 3/8-16 x 3/4
35	532 19 47-32	Gear, Sector Plate
45	819 11 38-12	Washer 11/32 ID x 2 3/8 OD x 12 Ga.
51	873 94 08-00	Nut Hex Jam Toplock 1/4-20 unf
53	532 18 89-67	Washer Hardened .793 x 1.637 x .060
57	532 40 74-65	Bracket Upstop
58	532 19 47-47	Bolt Shoulder Sector Pivot CFM
59	532 19 47-48	Washer Thrust Sector Steering
60	873 97 10-00	Nut Flange Lock 5/8-11
61	532 19 47-40	Draglink, LH
62	532 19 47-41	Draglink, RH
63	817 00 05-12	Screw 5/16-18 x 3/4
64	532 19 98-49	Retainer Clip Spring Steering
66	871 02 07-48	Bolt Hex Fghd 7/16-14 x 3 Serr
67	532 19 47-37	Bushing PM Front Axle
68	873 90 07-00	Nut Lock Flange 7/16-14 Gr. 5
69	532 19 91-62	Washer 1.5 x .505 x .118
70	532 19 61-97	Bracket Deck Susp. Front
122	532 44 49-62	Cap Gear

**NOTE:** All component dimensions given in U.S. inches  
1 inch = 25.4 mm

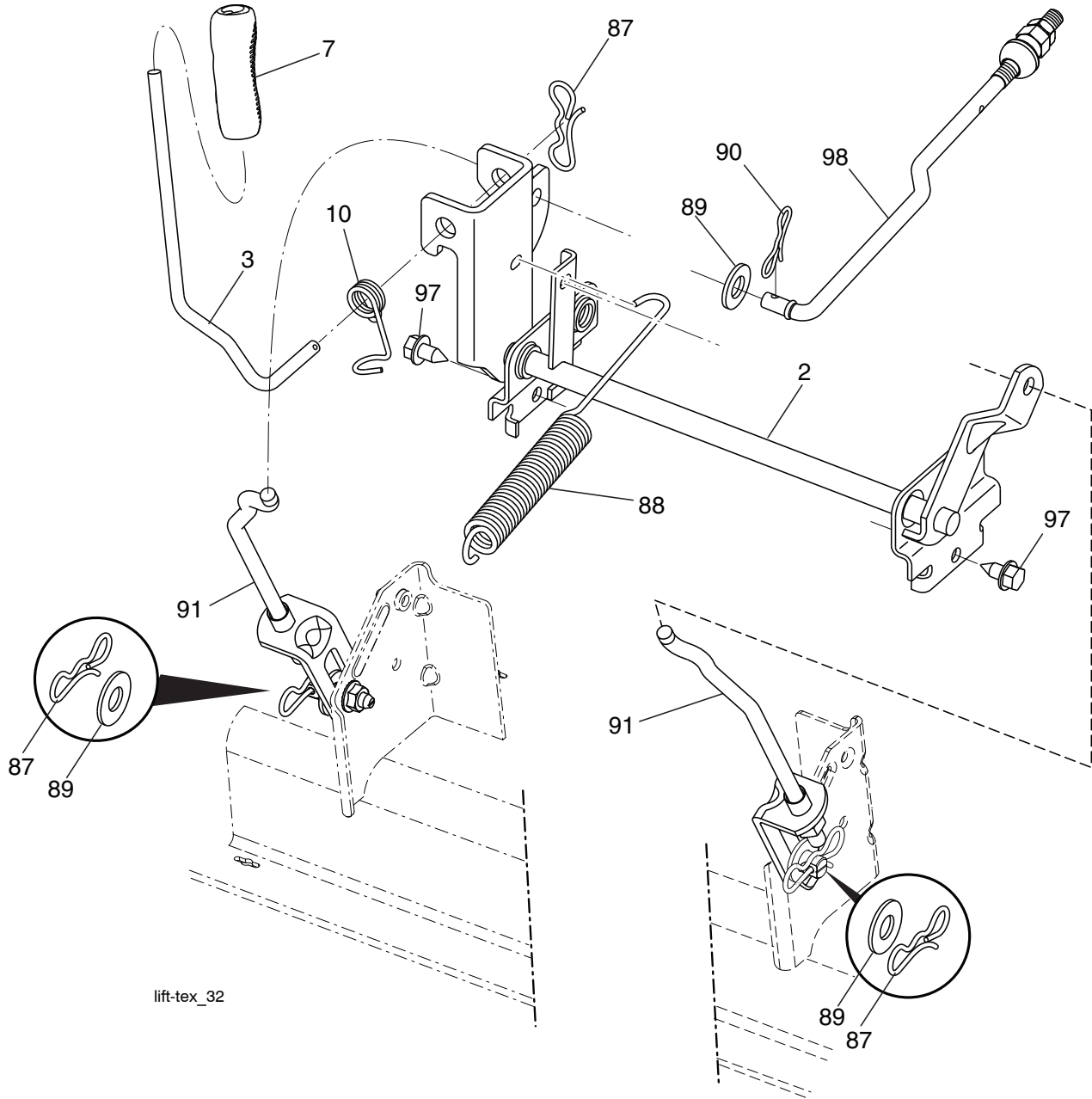


**TRACTOR - MODEL NO. YTA19K42 (96048006800), PRODUCT NO. 960 48 00-68  
MOWER DECK**

KEY NO.	PART NO.	DESCRIPTION	KEY NO.	PART NO.	DESCRIPTION
1	532 44 79-36	Mower Housing	60	532 19 72-61	Arm Brake Mower
6	532 19 51-86	Arm Suspension	62	872 11 06-16	Bolt Rdhd. Sqnk. 3/8-16 unc x 2
7	532 41 63-58	Screw #10 x 0.750	63	532 19 94-77	Arm Brake Mower
8	532 19 30-03	Bolt/Washer Asm. 7/16-20 unf	64	532 19 99-18	Linkage Brake
11	532 13 89-71	Blade, 42" Hi-Lift (For bagging or discharge)	67	532 40 30-12	Handle, Clutch Cable
13	532 19 28-72	Shaft Assembly, Mandrel	68	532 42 96-36	V-Belt
14	532 18 72-81	Housing, Mandrel	69	872 14 05-05	Bolt Rdhd. Sqnk. 5/16-18 x 5/8
15	532 11 04-85	Bearing, Ball, Mandrel	70	532 19 99-72	Clutch Asm. Manual
19	532 19 65-39	Bolt, Shoulder	113	817 00 05-10	Screw 5/16-18
20	532 15 97-70	Baffle, Vortex	116	532 12 48-42	Bolt, Shoulder
21	873 68 05-00	Nut Crown Lock 5/16-18	117	532 18 86-06	Wheel, Gauge
23	532 19 25-57	Bracket, Deflector	119	819 12 14-14	Washer 13/32 x 7/8 x 14 Ga.
24	532 10 53-04	Cap, Sleeve	122	532 19 72-58	Keeper Belt Eng. LH
25	532 19 70-26	Spring, Torsion, Deflector	123	532 19 72-59	Keeper Belt Eng. RH
26	532 11 04-52	Nut, Push	144	532 19 92-04	Keeper Belt
27	532 40 30-04	Shield, Deflector	145	532 19 31-97	Pulley, Idler, Flat
29	532 13 14-91	Rod, Hinge	147	532 40 19-71	Spring Return
30	532 17 39-84	Screw Thdrol. Rolling Wsh. Hd.	152	584 24 35-01	Cable Clutch Manual w/Spr.
31	532 18 76-90	Washer, Spacer	188	532 19 51-61	Stud Fastener
32	532 19 74-73	Pulley, Mandrel	189	873 90 05-00	Nut Lock Hex Flange
33	532 40 02-34	Nut, Toplock, Flanged	192	532 19 72-60	Bracket Brake Stand LH
34	872 11 06-12	Bolt Carr. Sh. 3/8-16 x 1-1/2 Gr. 5	195	817 00 06-12	Screw HexWsh. Thdrol. 3/8-16x3/4
36	532 19 73-79	Pulley Idler	241	532 15 29-27	Screw
37	819 13 13-16	Washer 13/32 x 13/16 x 16 Ga.	242	532 41 55-98	Port Washout
38	532 43 25-20	Keeper Belt Mandrel	--	532 19 28-70	Mandrel Assembly (Includes housing (key #14), shaft assembly (key #13) and bearing only (key #15) - Pulley/Nut/Washer and Blade Bolt/Washers not included)
40	873 90 06-00	Nut, Lock Flg. 3/8-16 unc	--	532 44 78-93	Replacement Mower, Complete
42	532 19 84-10	Spring Trosion Brake			
43	532 19 72-56	Spring Torsion Retainer			
46	532 13 77-29	Screw Thdrol. 1/4-20 x 5/8			
47	532 19 72-50	Bracket Clutch Cable			
55	532 43 71-10	Arm, Idler			
56	532 19 90-92	Spacer, Retainer			
57	817 00 06-16	Screw Hex Wsh. Thd. 3/8-16 x 1			
59	532 14 10-43	Guard, Tuv. Idler (94)			

**NOTE:** All component dimensions given in U.S. inches  
1 inch = 25.4 mm

**TRACTOR - MODEL NO. YTA19K42 (96048006800), PRODUCT NO. 960 48 00-68**  
**MOWER LIFT**



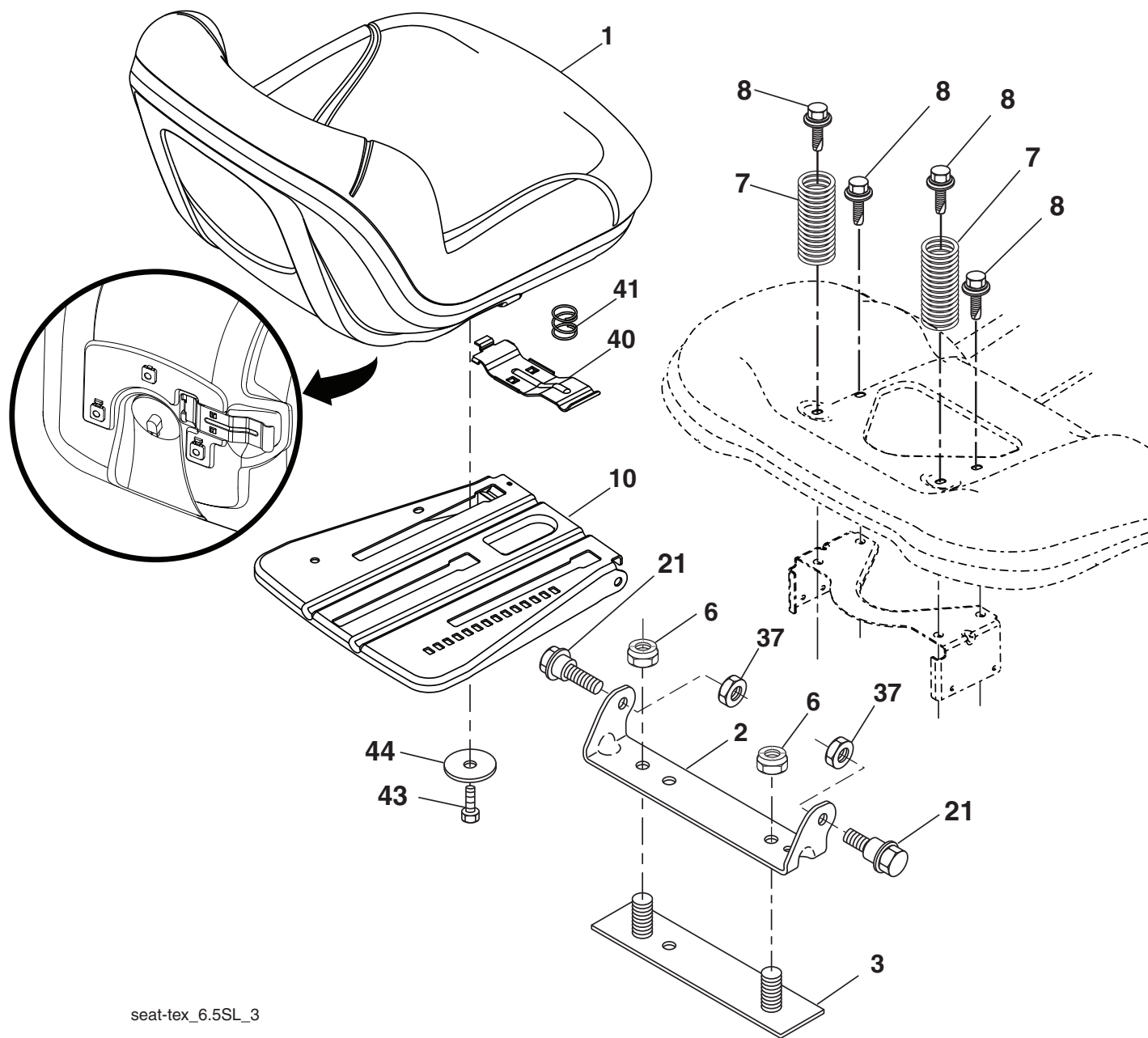
KEY NO.	PART NO.	DESCRIPTION
2	532 42 20-27	Shaft Asm., Cross Lift
3	532 19 52-31	Lever Asm., Lift RH
7	580 96 23-01	Grip, Lever
10	532 19 63-14	Spring Torsion
87	532 19 42-09	Pin Cotter 7/16 Bow Tie Lock
88	532 41 07-10	Spring Lift Assist
89	819 19 19-12	Washer Clear Zinc
90	532 19 42-08	Pin Cotter 5/16 Bow Tie Lock

KEY NO.	PART NO.	DESCRIPTION
91	532 19 79-84	Link Lift Susp. Mower Rear
97	817 00 06-12	Screw 3/8-16 x 3/4
98	532 42 05-25	Link Lift Susp. Front Mower

**NOTE:** All component dimensions given in U.S. inches  
 1 inch = 25.4 mm



**TRACTOR - MODEL NO. YTA19K42 (96048006800), PRODUCT NO. 960 48 00-68  
SEAT ASSEMBLY**



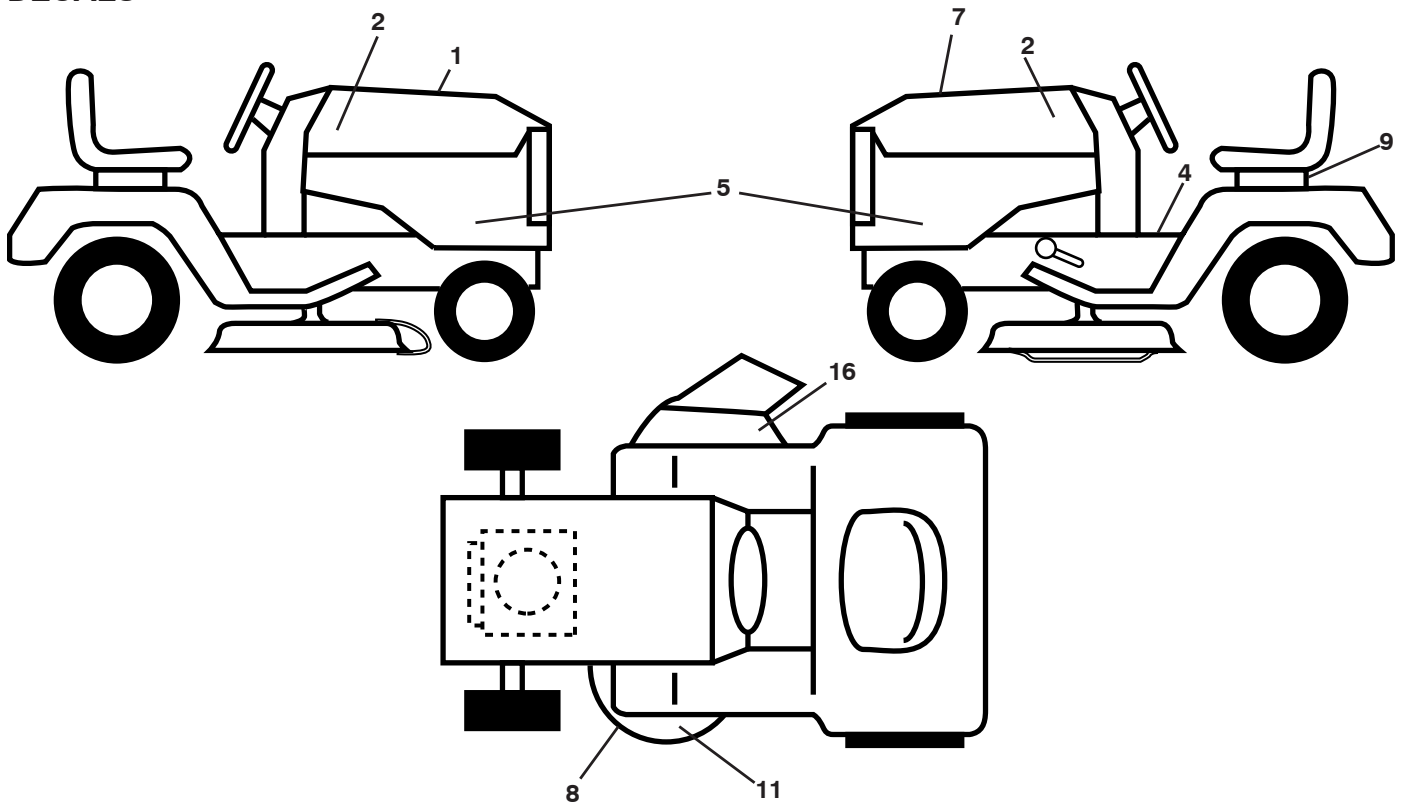
seat-tex\_6.5SL\_3

KEY NO.	PART NO.	DESCRIPTION
1	532 43 97-09	Seat
2	532 18 01-66	Bracket Pivot Fender
3	532 14 06-75	Strap, Asm Fender
6	873 80 06-00	Nut, Lock w/Ins. 3/8-16 unc
7	532 12 41-81	Spring, Seat Cprsn
8	532 17 18-77	Bolt 5/16-18 unc x 3/4 w/Sems
10	532 19 69-77	Pan, Seat
21	532 17 18-52	Bolt, Shoulder 5/16-18

KEY NO.	PART NO.	DESCRIPTION
37	873 80 05-00	Nut, Lock 5/16-18 unc
40	532 19 76-61	Handle Slide Seat
41	532 19 82-00	Spring Latch Seat
43	874 76 06-12	Bolt Fin Hex 3/8-16 unc x 3/4
44	819 13 38-12	Washer 13/32 x 2-3/8 x 12 Ga.

**NOTE:** All component dimensions given in U.S. inches  
1 inch = 25.4 mm

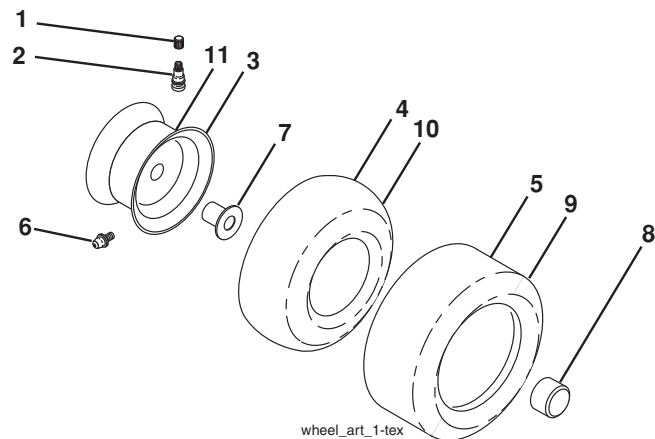
**TRACTOR - MODEL NO. YTA19K42 (96048006800), PRODUCT NO. 960 48 00-68  
DECALS**



KEY NO.	PART NO.	DESCRIPTION
1	585 79 57-01	Decal, RPL.
2	581 62 73-01	Decal, Hood LH/RH
4	581 57 89-01	Decal, Oper/Wrng.
5	532 44 57-58	Decal, Sidepanel
7	532 42 38-29	Decal, Wrng. Cust. Resp.
8	581 58 00-01	Decal, V-Belt Schematic
9	532 14 50-05	Decal, Battery Dnge/Poi

KEY NO.	PART NO.	DESCRIPTION
11	585 71 44-02	Decal, POP
16	581 57 95-01	Decal, Wrng. Keep Hand Away
--	581 72 48-01	Decal, Bypass Fender
--	532 43 96-81	Pad, Footrest, LH
--	532 43 96-82	Pad, Footrest, RH
--	585 90 70-49	Manual Oper. (English/French)
--	585 90 71-27	Manual Parts (English/French)

**WHEELS AND TIRES**



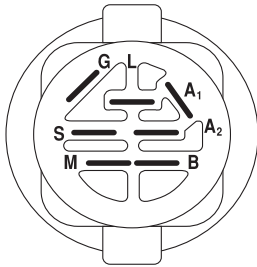
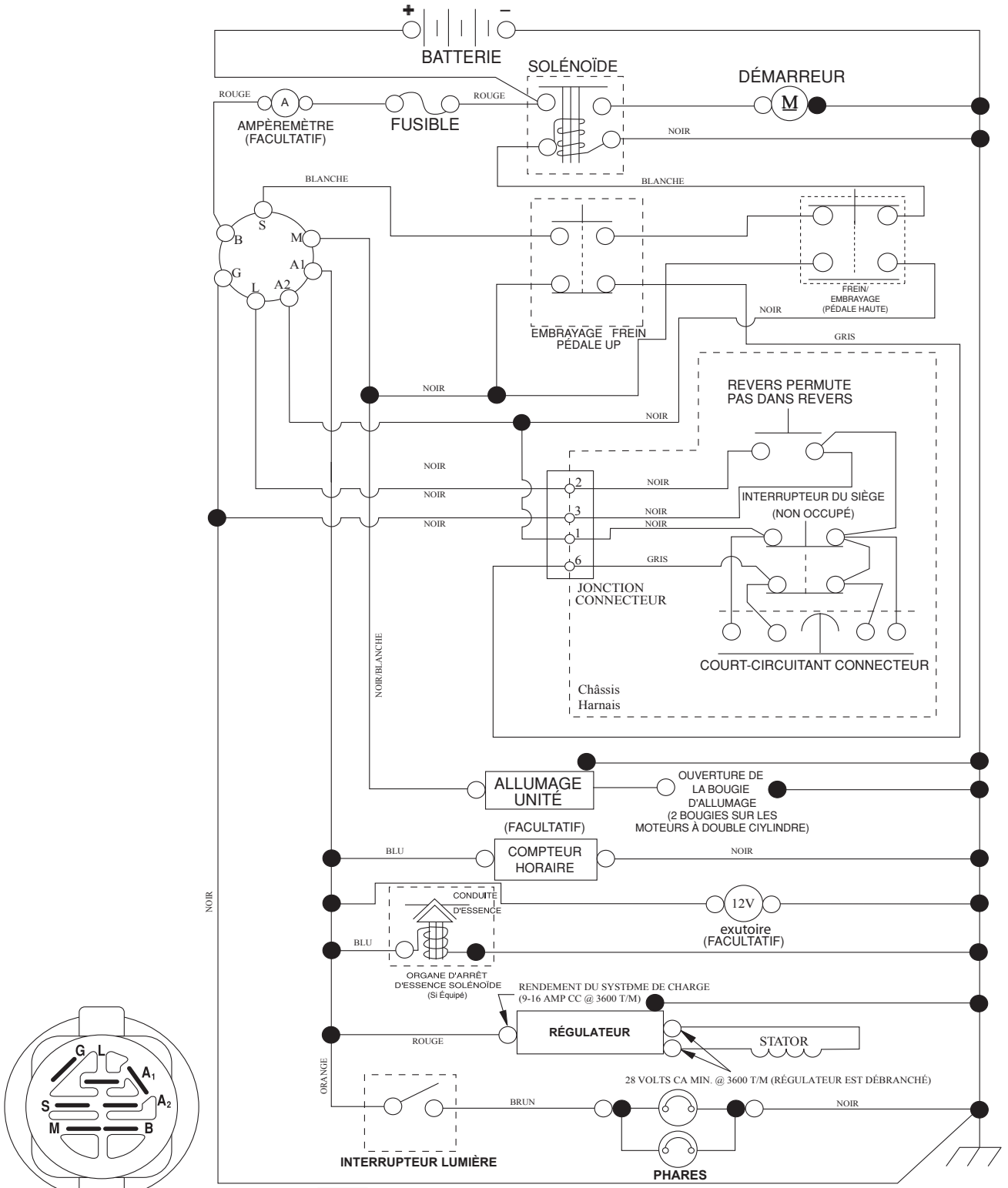
KEY NO.	PART NO.	DESCRIPTION
1	532 05 91-92	Cap, Valve, Tire
2	532 06 51-39	Stem, Valve
3	532 13 83-36	Rim Assembly, Front
4	532 05 99-04	Tube, Front
5	532 10 62-22	Tire, Front 15 x 6-6
6	532 12 49-57	Fitting, Grease
7	532 12 49-59	Bearing, Flange
8	532 17 50-39	Cap, Axle
9	532 13 84-68	Tire, Rear 20 x 8-8
10	532 12 49-26	Tube, Rear
11	532 13 83-37	Rim Assembly, Rear
--	532 14 43-34	Sealant, Tire (10 oz. Tube)

**NOTE:** All component dimensions given in U.S. inches  
1 inch = 25.4 mm

# TRACTEUR - NO. DE MODÈLE YTA19K42 (96048006800), NO. DE PRODUIT 960 48 00-68

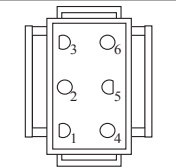
## SCHÉMA

SCH10-F



### CONTACTEUR D'ALLUMAGE

POSITION	CIRCUIT "FAITS"
ARRÊT	M + G + A1
MARCHE/ ALLUMAGE	B + A1
MARCHE	B + A1 L+A2
DÉMARRAGE	B + S + A1



Châssis Harnais CONNECTEUR (ACCOUPLER CÔTÉ)

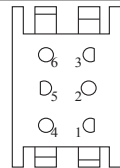


Tableau de bord Harnais CONNECTEUR (ACCOUPLER CÔTÉ)

CONNECTEURS NON-AMOVIBLES

CONNECTEURS AMOVIBLES

### PINCES ISOLÉES

REMARQUE: SI LES PINCES ISOLÉES ONT ÉTÉ ENLEVÉES POUR L'ENTRETIEN DU MODÈLE, ELLES DOIVENT ÊTRE REMISES EN PLACE POUR ASSURER LE BON FONCTIONNEMENT DU CÂBLAGE.

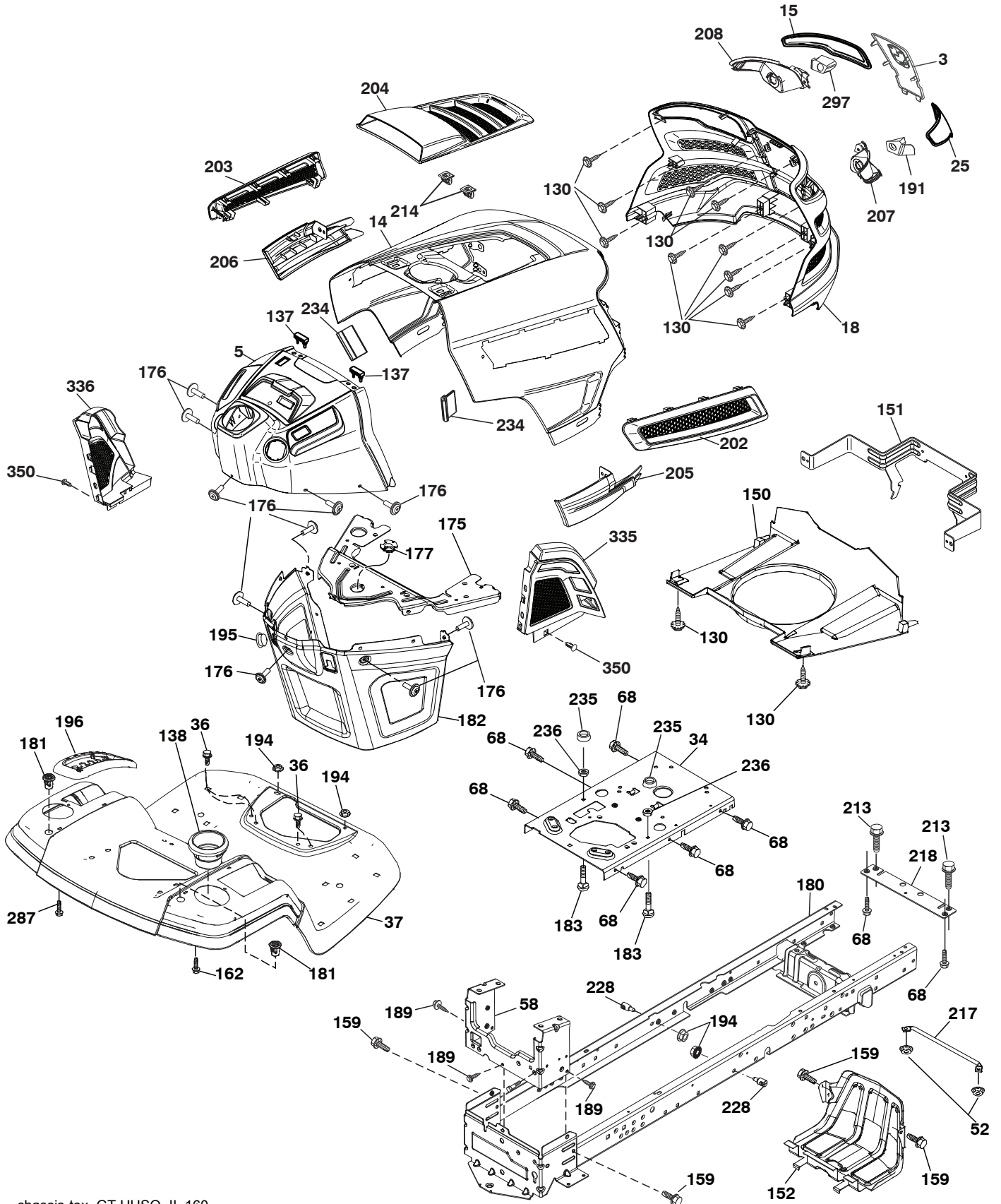


**TRACTEUR - NO. DE MODÈLE YTA19K42 (96048006800), NO. DE PRODUIT 960 48 00-68  
ÉLECTRIQUE**

<b>NO. DE RÉF.</b>	<b>NO DE PIÈCE</b>	<b>DESCRIPTION</b>
1	532 16 34-65	Batterie
2	874 76 04-12	Boulon 1/4-20 x 3/4
8	532 19 32-28	Bac de batterie
16	532 17 61-38	Interrupteur de verrouillage pressé
21	532 40 02-52	Harnais des prises de courant des phares avec 4152J
22	532 00 41-52	Ampoule
25	581 49 80-01	Câble
26	532 17 51-58	Fusible
27	873 51 04-00	Écrou 1/4-20 unc
28	532 42 16-86	Câble de masse
29	532 40 15-45	Interrupteur
30	532 19 33-50	Interrupteur
33	532 41 19-35	Clé/Chaîne
34	532 11 07-12	Interrupteur
40	581 02 31-01	Harnais
43	532 19 25-07	Solénoïde
46	532 40 17-63	Compteur horaire
55	817 06 05-12	Vis 5/16-18 x 3/4
71	581 02 30-01	Harness Chassis
79	532 17 52-42	Prise de courant du phare
87	532 19 78-02	Interrupteur
90	532 43 53-95	Couverture
99	817 67 04-12	Vis
102	581 02 34-01	Harnais
105	532 40 75-68	Interrupteur de inverse
106	532 17 48-14	Écrou

**REMARQUE:** Toutes les dimensions de composant sont  
données en pouces É.-U. --1 pouce = 25,4 mm

TRACTEUR - NO. DE MODÈLE YTA19K42 (96048006800), NO. DE PRODUIT 960 48 00-68  
CHÂSSIS/ENCEINTES



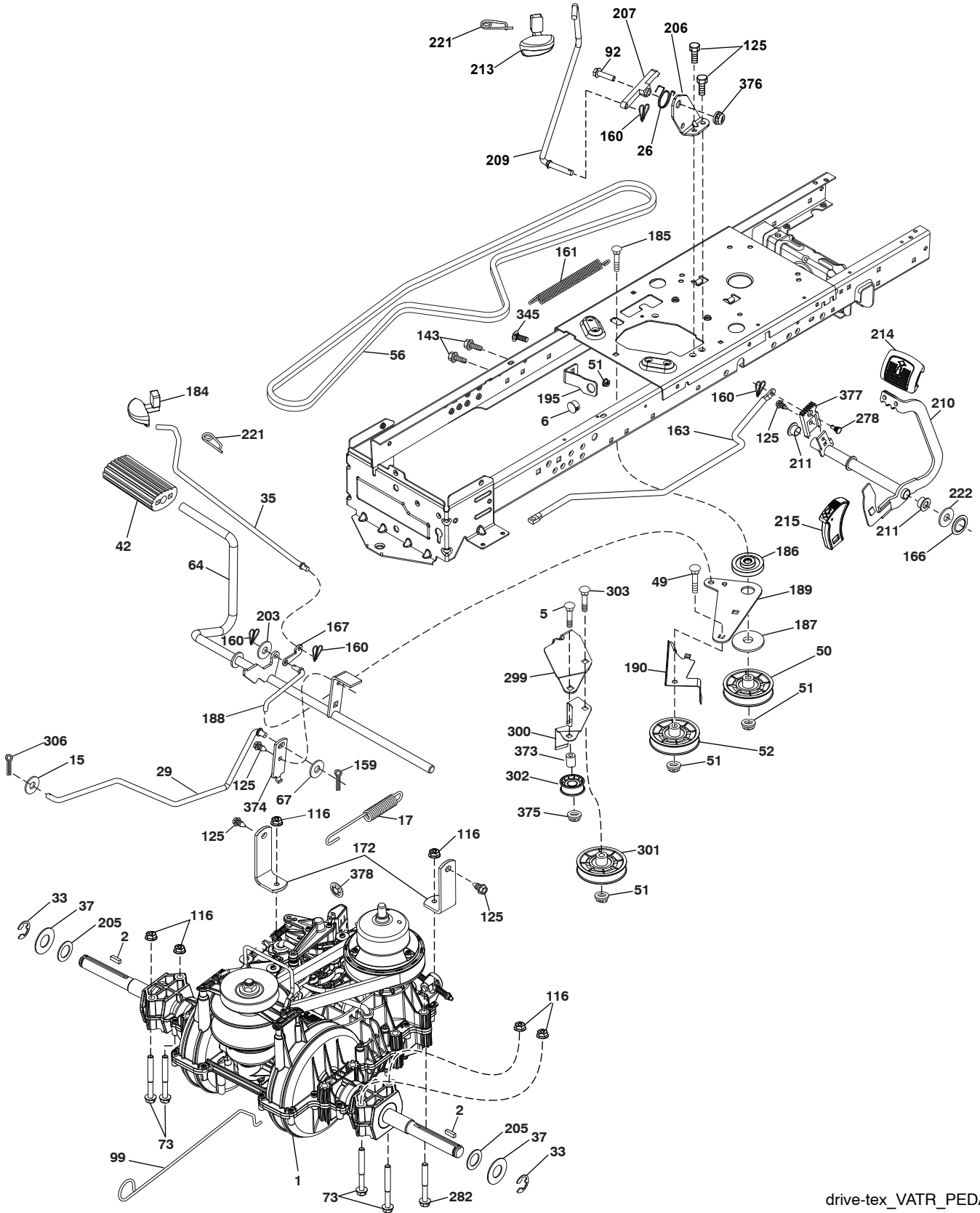
chassis-tex\_GT HUSQ\_II\_160

**TRACTEUR - NO. DE MODÈLE YTA19K42 (96048006800), NO. DE PRODUIT 960 48 00-68  
CHÂSSIS/ENCEINTES**

<b>NO. DE RÉF.</b>	<b>NO DE PIÈCE</b>	<b>DESCRIPTION</b>	<b>NO. DE RÉF.</b>	<b>NO DE PIÈCE</b>	<b>DESCRIPTION</b>
3	532 44 44-81	Applique	191	532 43 74-55	Insertion réfléchissante C.D.
5	581 46 69-01	Tableau de bord	194	873 90 05-00	Écrou 5/16-18
14	532 44 11-77	Capot	195	532 40 41-37	Bouchon
15	532 43 97-33	Lentilles C.G.	196	532 43 96-47	Panneau du tableau de bord
18	532 44 06-53	Calandre	202	532 43 97-28	Ventile C.D.
25	532 44 33-85	Lentilles C.D.	203	532 43 97-27	Ventile C.G.
34	580 91 08-01	Plaquette de moteur	204	532 43 57-14	Ventile sommet
36	817 06 05-12	Vis 5/16-18 x 3/4	205	532 43 97-30	Jupe C.D.
37	532 44 12-06	Aïle	206	532 43 97-29	Jupe C.G.
52	873 68 05-00	Écrou 5/16-18	207	532 43 97-34	Biseau C.D.
58	532 41 22-80	Support	208	532 43 97-35	Biseau C.G.
68	817 49 05-08	Vis 5/16-18 x 1/2	213	874 76 05-12	Boulon 5/16-18 unc x 3/4
130	532 41 63-58	Vis #10 x 0.750	214	532 19 91-45	Collier de retenue
137	532 40 75-90	Précipiter le pare-chocs	217	532 40 91-67	Tige
138	532 43 97-47	Support de tasse	218	532 19 63-95	Coussin morceau
150	532 43 97-74	Canalisation	228	532 19 51-61	Attache De Goujon
151	532 43 66-70	Pivot de support	234	532 40 47-42	Pare-chocs de capuchon
152	532 43 98-70	Deflecteur	235	532 40 61-29	Pare-chocs plus spatial
159	817 00 06-12	Vis 3/8-16 x 3/4	236	873 93 05-00	Écrou 5/16-18
162	532 14 24-32	Vis 1/4 x 1/2	287	817 60 04-06	Vis 1/4-20 x 3/8
175	532 19 63-04	Pièce d'entretoisement	297	532 43 74-56	Insertion réfléchissante C.G.
176	532 40 07-76	Vis10-24 x 5/8	335	532 44 82-04	Couvercle C.D.
177	532 19 52-27	Douille	336	532 44 53-09	Couvercle C.G.
180	532 41 50-63	Châssis	350	532 44 51-43	Attache
181	532 43 97-46	Coussinet			
182	532 40 68-59	Tableau de bord			
183	874 52 05-20	Boulon 5/16-18 x 1-1/4			
189	817 00 05-12	Vis 5/16-18 x 3/4			

**REMARQUE:** Toutes les dimensions de composant sont données en pouces É.-U. --1 pouce = 25,4 mm

TRACTEUR - NO. DE MODÈLE YTA19K42 (96048006800), NO. DE PRODUIT 960 48 00-68  
 ENTRAÎNEMENT



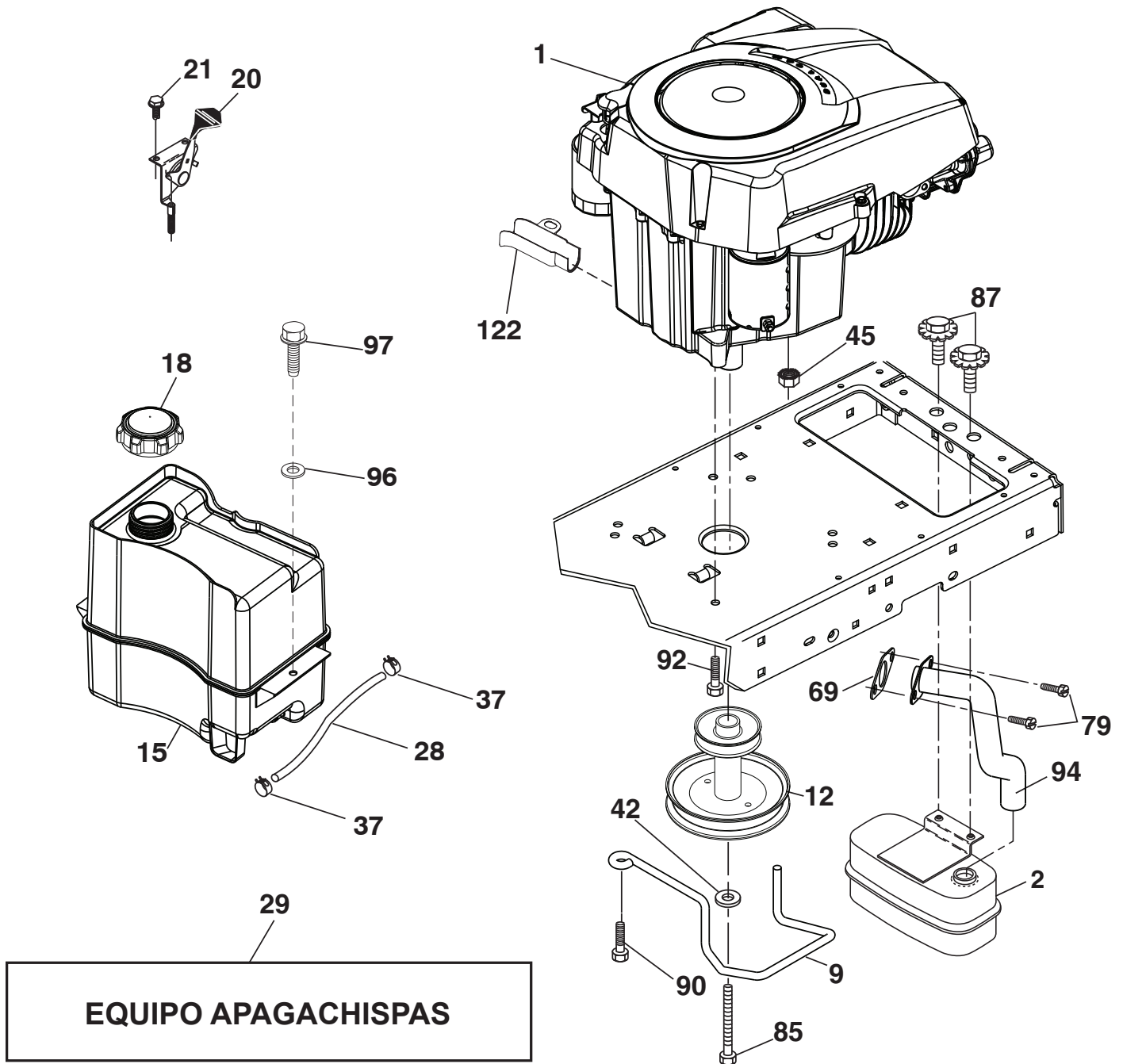
drive-tex\_VATR\_PEDAL\_35



# TRACTEUR - NO. DE MODÈLE YTA19K42 (96048006800), NO. DE PRODUIT 960 48 00-68 ENTRAÎNEMENT

NO. DE RÉF.	NO DE PIÈCE	DESCRIPTION	NO. DE RÉF.	NO DE PIÈCE	DESCRIPTION
1	---	Transmission, Variator SD Pedal (584973901) (Pièces d'ordre de fabricant de transaxle.)	187	819 13 32-10	Rondelle 13/32 x 2 x 10 Ja.
			188	532 19 43-23	Raccord d'embrayage
			189	532 19 43-17	Levier coudé
2	532 12 35-83	Clé	190	532 19 43-18	Garde du courraie
5	874 76 06-36	Boulon 3/8-16 x 2-1/4	195	581 50 46-01	Support
6	532 12 40-28	Coussinet	203	819 11 11-16	Rondelle 11/32 x 11/16 x 16 Ja.
15	819 13 13-16	Rondelle 13/32 x 13/16 x 16 Ja.	205	532 12 17-48	Rondelle 25/32 x 1-5/8 16 Ja.
17	584 95 40-01	Ressort	206	532 44 85-96	Support
26	532 19 96-79	Ressort	207	532 44 82-64	Loquet
29	584 82 31-01	Tige du frein	209	532 19 95-92	Tige
33	812 00 00-01	Bague en "E"	210	532 44 82-70	Ensemble de culbuteur
35	583 86 45-01	Tige du frein de stationnement	211	532 12 01-83	Palier
37	532 18 89-67	Rondelle .793 x 1.637 x 060	213	532 40 31-19	Bouton
42	532 12 48-72	Couverture de la pédale	214	532 42 12-63	Pédale
49	872 11 06-14	Boulon 3/8-16 unc	215	532 44 82-54	Coussin
50	532 19 43-27	Poulie du galet-tendeur	221	532 40 31-87	Ressort de retenne
51	873 90 06-00	Écrou	222	879 21 20-10	Rondelle
52	532 19 43-26	Galet-tendeur	278	580 36 91-01	Boulon
56	532 19 72-53	Courroie trapézoïdale	282	874 49 05-48	Vis 5/16-18 x 3
64	532 44 83-53	Ensemble de l'arbre	299	532 41 56-83	Support
67	819 13 13-12	Rondelle 13/32 x 13/16 x 12 Ja.	300	532 41 56-81	Garde de courroie
73	874 49 05-44	Boulon 5/16-18 x 3.75	301	532 41 56-80	Poulie
92	874 76 05-20	Boulon 5/16-18 x 1.25	302	581 42 05-01	Poulie
99	532 43 59-35	Tige de derivation	303	872 11 06-18	Boulon
116	873 90 05-00	Écrou 5/16-18	306	876 02 04-16	Goupille fendue
125	817 00 05-12	Vis 5/16-18 x 3/4	345	872 11 06-06	Boulon 3/8-16 unc
143	817 49 05-08	Vis 5/16-18 x 1/2 TYTT	373	581 46 18-01	Entretoise
159	876 02 04-12	Goupille fendue 1/8 x 3/4	374	581 47 52-01	Bras de la commande
160	532 16 94-84	Collier de retenue	375	873 68 06-00	Écrou 3/8-16 unc
161	532 10 57-09	Ressort	376	532 42 65-89	Écrou 5/16-18
163	583 97 13-01	Tige	377	584 30 34-01	Secteur denté
166	532 42 91-64	Écrou .625	378	584 28 77-01	Écrou 8mm
167	532 40 52-57	Loquet			
172	583 97 42-01	Attache			
184	532 44 14-55	Poignée de frein de stationnement			
185	872 11 06-22	Boulon 3/8-16 unc x 2-3/4			
186	532 19 43-21	Ressort de retenue			

**REMARQUE:** Toutes les dimensions de composant sont données en pouces É.-U. --1 pouce = 25,4 mm



engine-tex\_kohl\_23\_r4

**TRACTEUR - NO. DE MODÈLE YTA19K42 (96048006800), NO. DE PRODUIT 960 48 00-68  
MOTEUR**

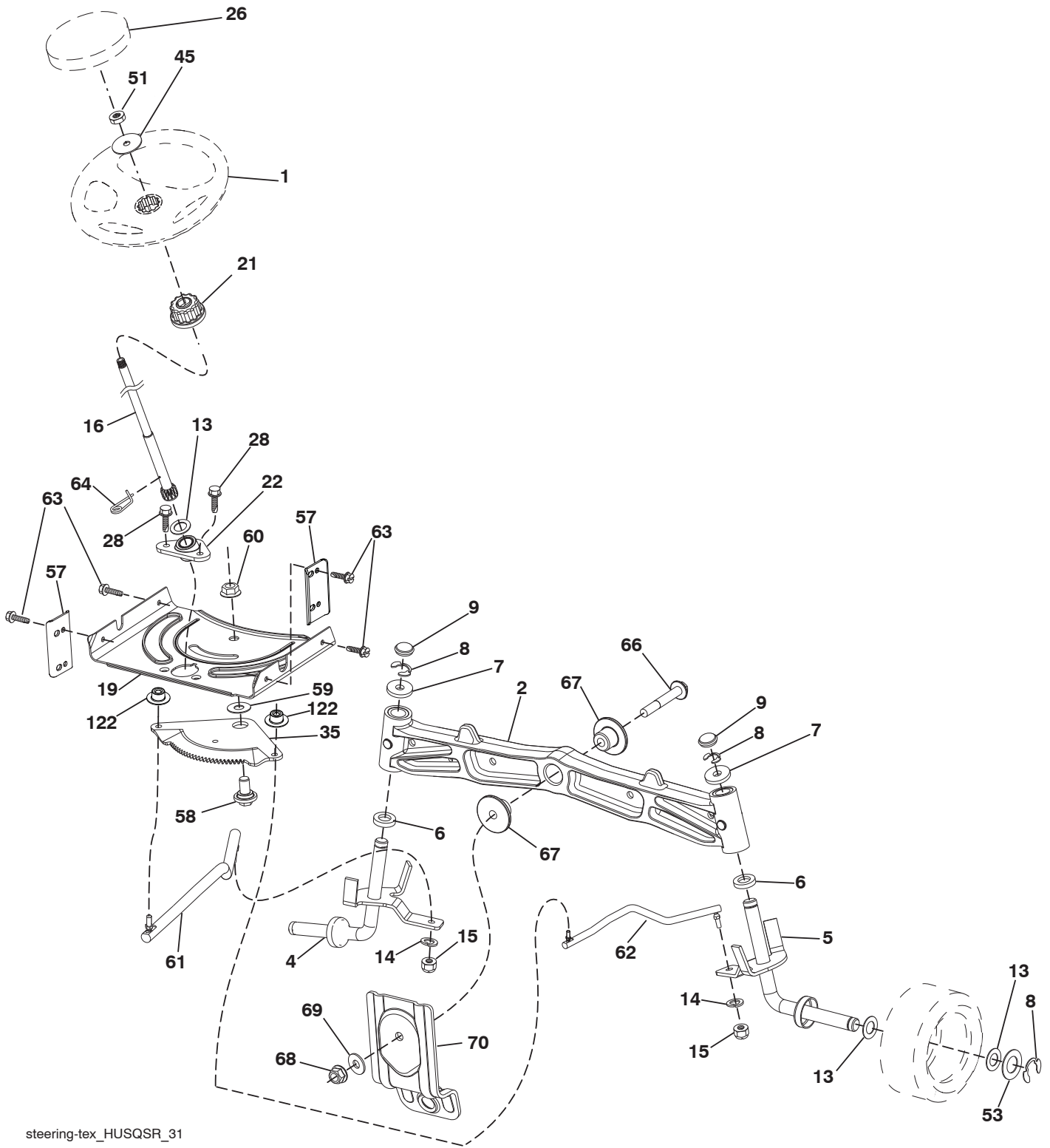
<b>NO. DE RÉF.</b>	<b>NO DE PIÈCE</b>	<b>DESCRIPTION</b>
1	— — — — —	Moteur Kohler modèle SV591-3216 (585507801) (Commandez les pièces du fabricant du moteur.)
2	532 44 67-60	Silencieux
9	532 19 43-19	Garde de courroie du moteur
12	532 40 19-85	Poulie
15	581 29 01-01	Réservoir d'essence
18	532 43 02-20	Chapeau
20	532 40 15-08	Commande des gaz/starter
21	532 41 63-58	Vis #10 x 0.750
28	532 40 11-37	Conduite d'essence
29	532 13 71-80	Jeu de pare - étincelles
37	532 12 34-87	Bride de serrage de tuyau
42	810 04 07-00	Rondelle 7/16
45	873 51 04-00	Écrou 1/4-20 unc
69	532 18 59-09	Garniture
79	532 19 23-34	Vis 5/16-18 x .75
85	532 17 39-37	Boulon 7/16-20 x 4 x Gr. 5-1.5
87	532 17 18-77	Boulon 5/16-18 unc x 3/4 avec Sems
90	817 00 06-16	Vis 3/8-16 x 1
92	817 12 06-16	Vis 3/8-16 x 1
94	583 95 53-01	Tube
96	819 09 14-16	Rondelle 9/32 x 7/8 x 16 Ja.
97	817 67 04-12	Vis 1/4-20 x 3/4
122	532 42 19-22	Rallonge d'huile

**REMARQUE:** Toutes les dimensions de composant sont données en pouce d'E.-U. - - 1 pouce = 25,4 mm.

Pour des pièces de service et de rechange de moteur, réclamez le numéro de téléphone libre pour votre fabricant de moteur énuméré ci-dessous:

Kohler Co. 1-800-544-2444

TRACTEUR - NO. DE MODÈLE YTA19K42 (96048006800), NO. DE PRODUIT 960 48 00-68 EN-SEMBLE DE LA DIRECTION



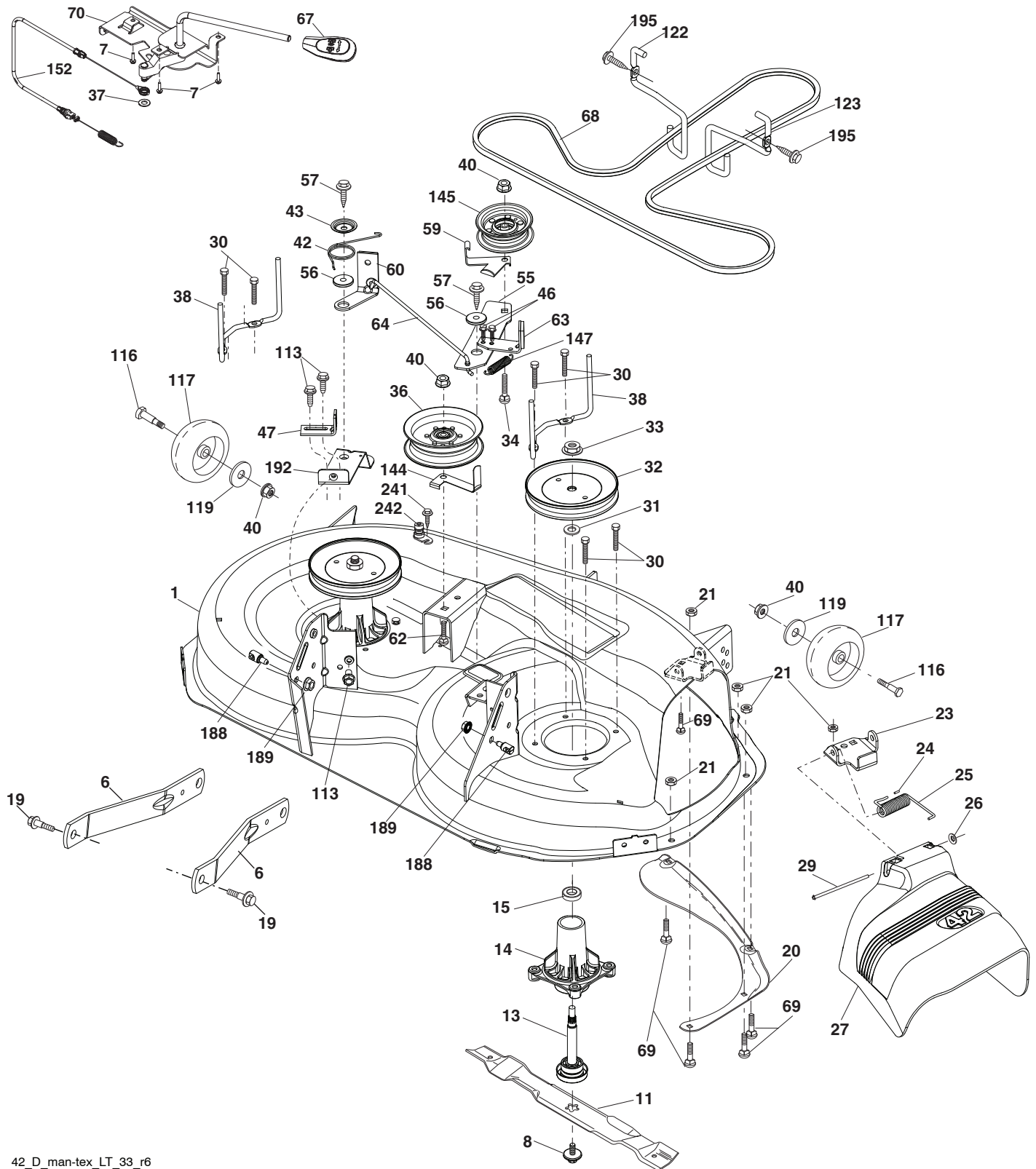
steering-tex\_HUSQSR\_31

**TRACTEUR - NO. DE MODÈLE YTA19K42 (96048006800), NO. DE PRODUIT 960 48 00-68 ENSEMBLE DE LA DIRECTION**

<b>NO. DE RÉF.</b>	<b>NO DE PIÈCE</b>	<b>DESCRIPTION</b>
1	532 43 99-97	Volant de direction
2	532 19 59-68	Ensemble de la essieu
4	532 40 30-87	Ensemble de la broche C.G.
5	532 40 30-88	Ensemble de la broche C.D.
6	532 12 49-31	Palier de butée durci
7	532 12 17-48	Rondelle 25/32 x 1-5/8 x 16 Ja.
8	812 00 00-29	Rondelle clip n°T5304-75
9	532 12 12-32	Chapeau de broche
13	532 12 17-49	Rondelle 25/32 x 1-1/4 x 16 Ja.
14	810 04 06-00	Rondelle 3/8
15	873 54 06-00	Écrou 3/8-24 unf
16	532 40 82-19	Arbre de direction
19	532 19 47-29	Arbre de plaque
21	532 18 67-37	Adaptateur du volant de direction
22	532 42 05-37	Support de direction inférieur
26	532 43 97-43	Insert de chapeau du volant de direction
28	817 00 06-12	Vis 3/8-16 x 3/4
35	532 19 47-32	Secteur denté
45	819 11 38-12	Rondelle 11/32 ID x 2 3/8 OD x 12 Ja.
51	873 94 08-00	Écrou 1/4-20 unf
53	532 18 89-67	Rondelle .793 x 1.637 x .060
57	532 40 74-65	Support
58	532 19 47-47	Boulon CFM
59	532 19 47-48	Rondelle
60	873 97 10-00	Écrou 5/8-11
61	532 19 47-40	Barre de direction C.G.
62	532 19 47-41	Barre de direction C.D.
63	817 00 05-12	Vis 5/16-18 x 3/4
64	532 19 98-49	Collier de retenue
66	871 02 07-48	Boulon 7/16-14 x 3
67	532 19 47-37	Douille
68	873 90 07-00	Écrou 7/16-14 Gr. 5
69	532 19 91-62	Rondelle 1.5 x .505 x .118
70	532 19 61-97	Support
122	532 44 49-62	Chapeau

**REMARQUE:** Toutes les dimensions de composant sont données en pouces É.-U. --1 pouce = 25,4 mm

TRACTEUR - NO. DE MODÈLE YTA19K42 (96048006800), NO. DE PRODUIT 960 48 00-68  
CARTER DE TONDEUSE



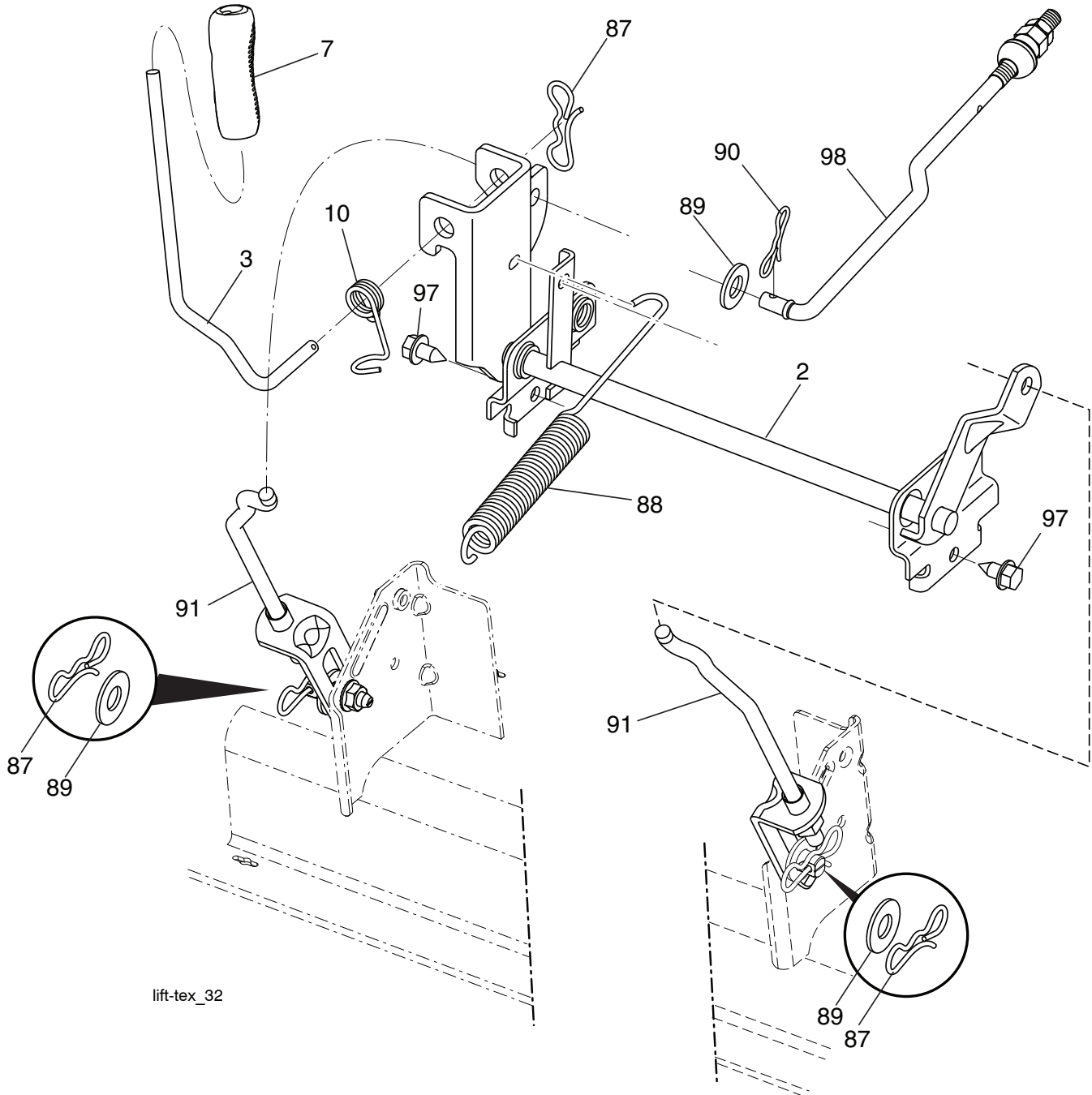
42\_D\_man-tex\_LT\_33\_r6

**TRACTEUR - NO. DE MODÈLE YTA19K42 (96048006800), NO. DE PRODUIT 960 48 00-68  
CARTER DE TONDEUSE**

<b>NO. DE RÉF.</b>	<b>NO DE PIÈCE</b>	<b>DESCRIPTION</b>	<b>NO. DE RÉF.</b>	<b>NO DE PIÈCE</b>	<b>DESCRIPTION</b>
1	532 44 79-36	Logement De Tondeuse À Gazon	63	532 19 94-77	Bras de frien
6	532 19 51-86	Bras De Suspension	64	532 19 99-18	Raccord
7	532 41 63-58	Vis #10 x 0.750	67	532 40 30-12	Guidon
8	532 19 30-03	Boulon/Rondelle 7/16-20 unf	68	532 42 96-36	Courroie Trapézoïdale
11	532 13 89-71	Tondeuse À Gazon De Lame	69	872 14 05-05	Boulon 5/16-18 x 5/8
13	532 19 28-72	Ensamble D'arbre, Mandrin	70	532 19 99-72	Ensemble du bras d'embrayage
14	532 18 72-81	Carter de Mandrin	113	817 00 05-10	Vis 5/16-18
15	532 11 04-85	Palier	116	532 12 48-42	Boulon
19	532 19 65-39	Boulon	117	532 18 86-06	Roue
20	532 15 97-70	Chicane	119	819 12 14-14	Rondelle 13/32 x 7/8 x 14 Ja.
21	873 68 05-00	Écrou 5/16-18	122	532 19 72-58	Guide-Courroie Du Moteur C.G.
23	532 19 25-57	Support	123	532 19 72-59	Guide-Courroie Du Moteur C.D.
24	532 10 53-04	Chapeau	144	532 19 92-04	Guide-Courroie
25	532 19 70-26	Ressort la torsion le défecteur	145	532 19 31-97	Poulie
26	532 11 04-52	Écrou	147	532 40 19-71	Ressort
27	532 40 30-04	Garde du Défecteur	152	584 24 35-01	Embrayage le câble
29	532 13 14-91	Tige	188	532 19 51-61	Tenon
30	532 17 39-84	Vis	189	873 90 05-00	Écrou
31	532 18 76-90	Rondelle	192	532 19 72-60	Support C.D.
32	532 19 74-73	Poulie de Mandrin	195	817 00 06-12	Vis 3/8-16 x 3/4
33	532 40 02-34	Écrou	241	532 15 29-27	Vis
34	872 11 06-12	Boulon 3/8-16 x 1-1/2 cat. 5	242	532 41 55-98	Raccord De Lavage
36	532 19 73-79	Poulie	--	532 19 28-70	Ensemble De Mandrin
37	819 13 13-16	Rondelle 13/32 x 13/16 x 16 Ja.			Ensemble Du Mandrin (Inclut Boîtier (#14), Ensemble Arbe (#13), Et Palier (#15) Seulement - Poulie/Écrou/Ron- delle Et Lame, Boulon/Rondelle Ne Pas Inclut.)
38	532 43 25-20	Garde de courroie			
40	873 90 06-00	Écrou 3/8-16 unc			
42	532 19 84-10	Ressort de torsion du frien			
43	532 19 72-56	Ressort de torsion du arrêtoir			
46	532 13 77-29	Vis 1/4-20 x 5/8	--	532 44 78-93	La Tondeuse À Gazon De Remplacement, Compléter
47	532 19 72-50	Support			
55	532 43 71-10	Bras du Galet-Tendeur			
56	532 19 90-92	Ressort De Retenue			
57	817 00 06-16	Vis 3/8-16 x 1			
59	532 14 10-43	Garde			
60	532 19 72-61	Bras de frien			
62	872 11 06-16	Boulon 3/8-16 unc x 2			

**REMARQUE:** Toutes les dimensions de composant sont don-  
nées en pouces É.-U. --1 pouce = 25,4 mm

**TRACTEUR - NO. DE MODÈLE YTA19K42 (96048006800), NO. DE PRODUIT 960 48 00-68  
LEVAGE DE TONDEUSE**



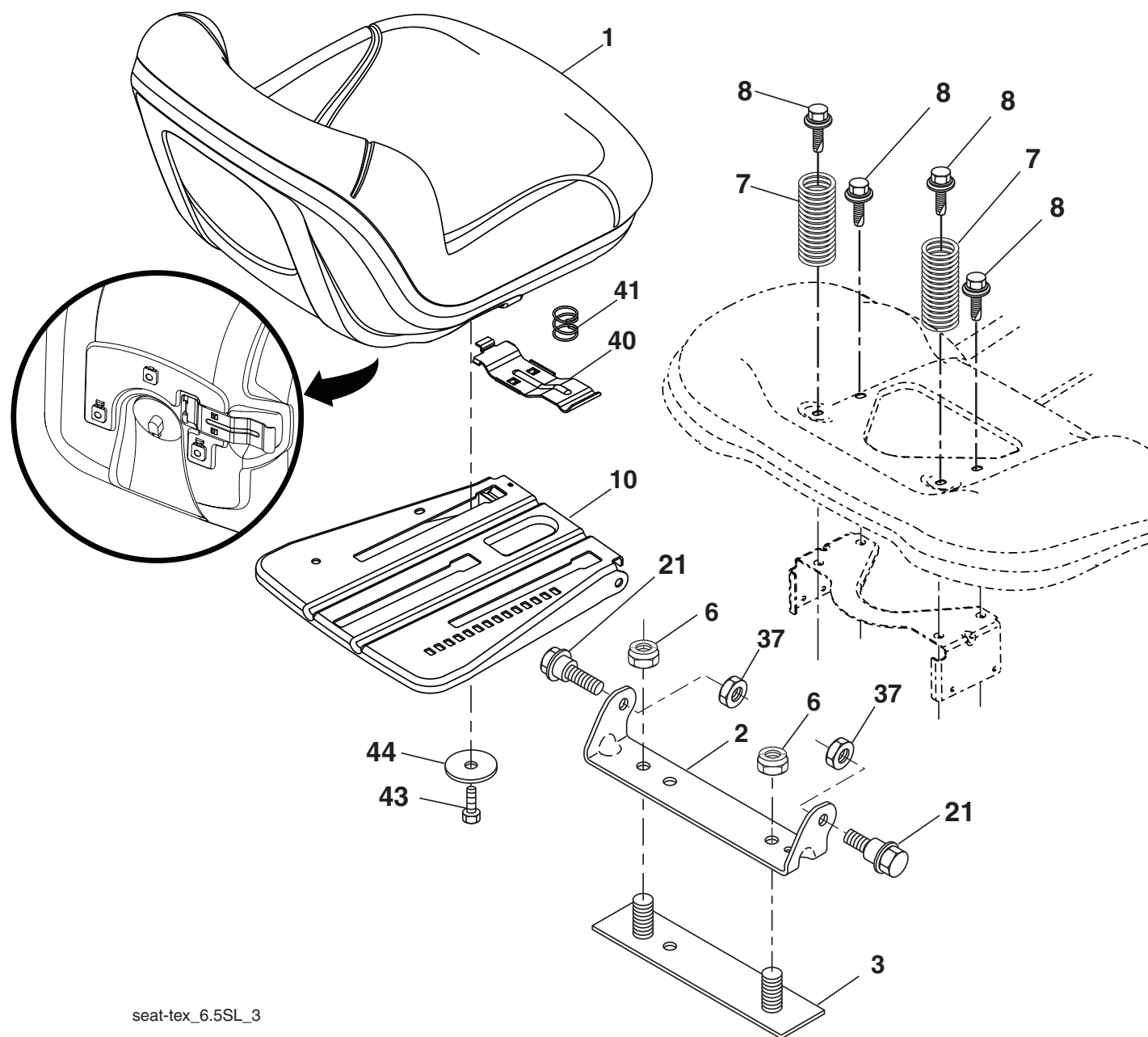
NO. DE RÉF.	NO DE PIÈCE	DESCRIPTION
2	532 42 20-27	Ensemble de l'arbre
3	532 19 52-31	Ensemble de l'arbre de levage C.D.
7	580 96 23-01	Poignée cannelée du levier
10	532 19 63-14	Ressort de Torsion
87	532 19 42-09	Goupille fendue 7/16
88	532 41 07-10	Ressort de retenue
89	819 19 19-12	Rondelle
90	532 19 42-08	Goupille fendue 5/16

NO. DE RÉF.	NO DE PIÈCE	DESCRIPTION
91	532 19 79-84	Raccord de levage
97	817 00 06-12	Vis 3/8-16 x 3/4
98	532 42 05-25	Raccord de levage

**REMARQUE:** Toutes les dimensions de composant sont données en pouces É.-U. --1 pouce = 25,4 mm



**TRACTEUR - NO. DE MODÈLE YTA19K42 (96048006800), NO. DE PRODUIT 960 48 00-68  
ENSEMBLE DU SIÈGE**



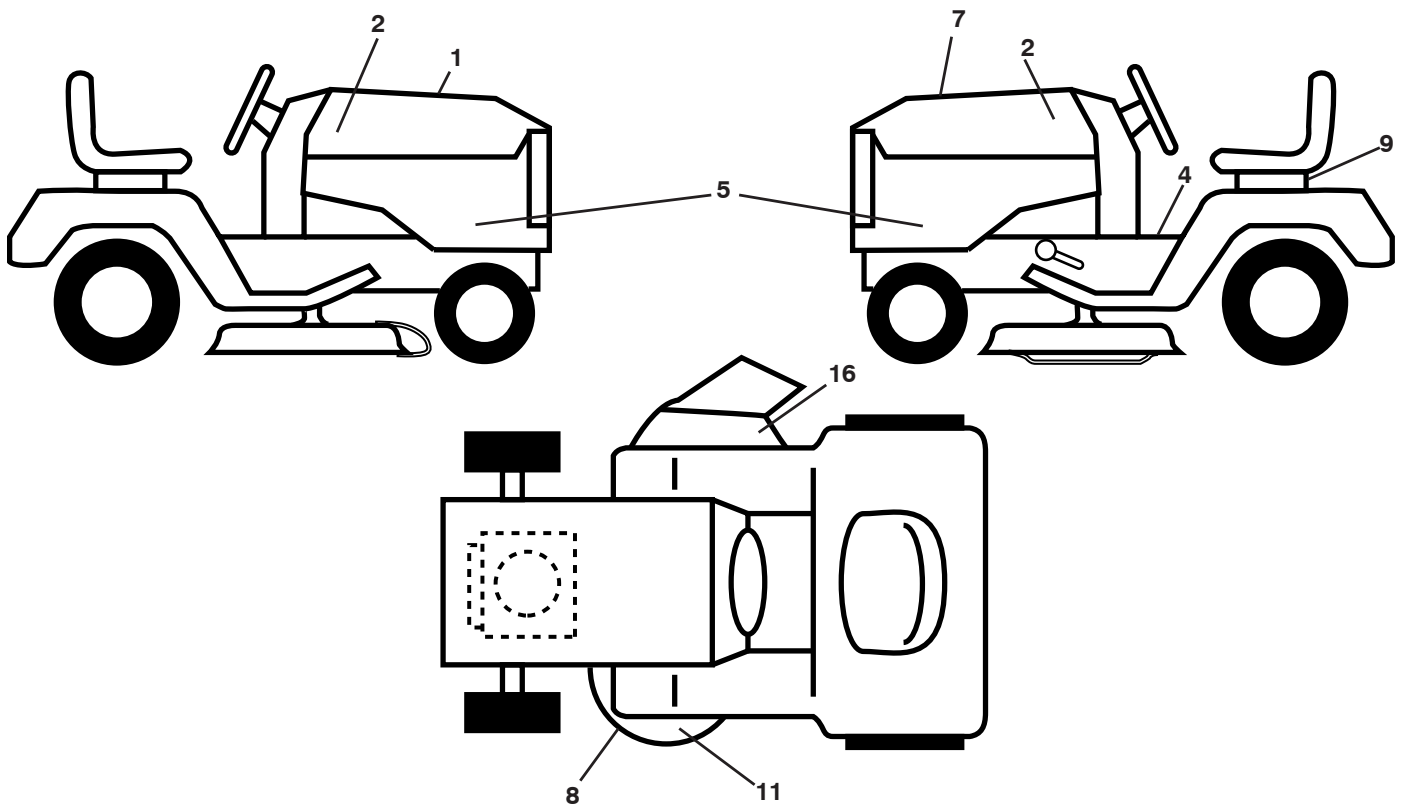
seat-tex\_6.5SL\_3

NO. DE RÉF.	NO DE PIÈCE	DESCRIPTION
1	532 43 97-09	Siège
2	532 18 01-66	Support de pivot
3	532 14 06-75	Attache de l'ensemble de l'aile
6	873 80 06-00	Écrou 3/8-16 unc
7	532 12 41-81	Ressort de compression du siège
8	532 17 18-77	Boulon 5/16-18 unc x 3/4 avec sems
10	532 19 69-77	Cuvette du siège
21	532 17 18-52	Boulon 5/16-18
37	873 80 05-00	Écrou 5/16-18 unc

NO. DE RÉF.	NO DE PIÈCE	DESCRIPTION
40	532 19 76-61	Guidon
41	532 19 82-00	Ressort de compression
43	874 76 06-12	Boulon 3/8-16 unc x 3/4
44	819 13 38-12	Rondelle 13/32 x 2-3/8 x 12 Ja.

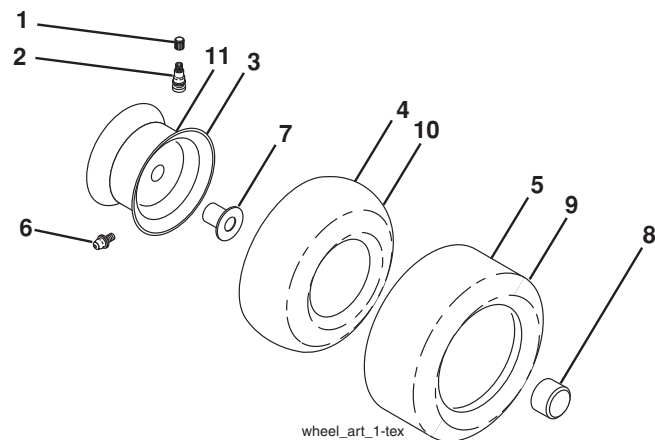
**REMARQUE:** Toutes les dimensions de composant sont données en pouces É.-U. --1 pouce = 25,4 mm

**TRACTEUR - NO. DE MODÈLE YTA19K42 (96048006800), NO. DE PRODUIT 960 48 00-68  
DÉCALCOMANIE**



NO. DE RÉF.	NO DE PIÈCE	DESCRIPTION	NO. DE RÉF.	NO DE PIÈCE	DESCRIPTION
1	585 79 57-01	Décalcomanie.	11	585 71 44-02	Décalcomanie
2	581 62 73-01	Décalcomanie du Capot CD/CG	16	581 57 95-01	Décalcomanie du avertissement
4	581 57 89-01	Décalcomanie du avertissement	--	581 72 48-01	Décalcomanie
5	532 44 57-58	Décalcomanie Du Panneau Latéral	--	532 43 96-81	Coussin d' repose-pied C.G.
7	532 42 38-29	Décalcomanie avertissement	--	532 43 96-82	Coussin d' repose-pied C.D.
8	581 58 00-01	Décalcomanie De La Courroie Trapézoïdale	--	585 90 70-49	Manuel de l'opérateur (Anglais/Français)
9	532 14 50-05	Décalcomanie De Danger/Poison De La Batterie	--	585 90 71-27	Manuel de pièces de rechange (Anglais/Français)

**ROUES & PNEUS**



NO. DE RÉF.	NO DE PIÈCE	DESCRIPTION
1	532 05 91-92	Capuchon de la valve du pneu
2	532 06 51-39	Tubulure de la valve
3	532 13 83-36	Ensemble de la jante antérieure
4	532 05 99-04	Chambre à air antérieure
5	532 10 62-22	Pneu antérieur 15 x 6-6
6	532 12 49-57	Graisseur
7	532 12 49-59	Palier à bride
8	532 17 50-39	Chapeau de l'essieu
9	532 13 84-68	Pneu arrière 20 x 8-8
10	532 12 49-26	Chambre à air arrière
11	532 13 83-37	Ensemble de la jante arrière
--	532 14 43-34	Joint d'étanchéité de pneu (tube de .30L [10 oz. Tube])

**REMARQUE:** Toutes les dimensions de composant sont données en pouces É.-U. --1 pouce = 25,4 mm

---

# **SERVICE NOTES / REMARQUES D'ENTRETIEN**

---

**11/04/2013 BD**