

# Repair Parts Manual Manual De Repuestos

YT54LS/96043017001

Please read the operator's manual carefully and make sure you understand the instructions before using the machine.

Por favor lea cuidadosamente y comprenda estas intrucciones antes de usar esta maquina.



English/Spanish

585 92 29-27 Rev. 1



# HOW TO USE THIS MANUAL

This manual is designed to provide the customer with a means to identify the parts on his/her tractor when ordering repair parts. The illustrations may or may not represent the actual assemblies; therefore, it is not recommended to use this manual as a guide to assemble or disassemble the tractor. Some hardware and parts are drawn larger in order to more readily identify them.

Each tractor has its own model number.

The model number for your tractor can be found on the fender under the seat.

When ordering parts, always give the following information:

- Product - "TRACTOR"
- MODEL NUMBER - "YT54LS" (96043017001)"
- Part Number
- Part Description

## TABLE OF CONTENTS

SCHEMATIC .....	3
ELECTRICAL.....	4-5
CHASSIS .....	6-7
DRIVE.....	8-9
ENGINE.....	10-11
STEERING .....	12-13
MOWER DECK.....	14-15
MOWER LIFT.....	16
SEAT .....	17
DECALS.....	18

## COMO UTILIZAR ESTE MANUAL

Este manual está diseñado para brindarle al comprador un medio para identificar las piezas del tractor para cuando necesite hacer el pedido de un repuesto. Las ilustraciones pueden o no representar los ensambles reales; por lo tanto, no se recomienda utilizar este manual como una guía para ensamblar o desarmar el tractor. Algunos accesorios y piezas están dibujados en tamaños más grandes para identificarlos con mayor facilidad.

Cada tractor tiene su propio número de modelo.

El número de modelo del tractor se encuentra en el guardabarros debajo del asiento.

Cuando haga el pedido de una pieza, siempre brinde la siguiente información:

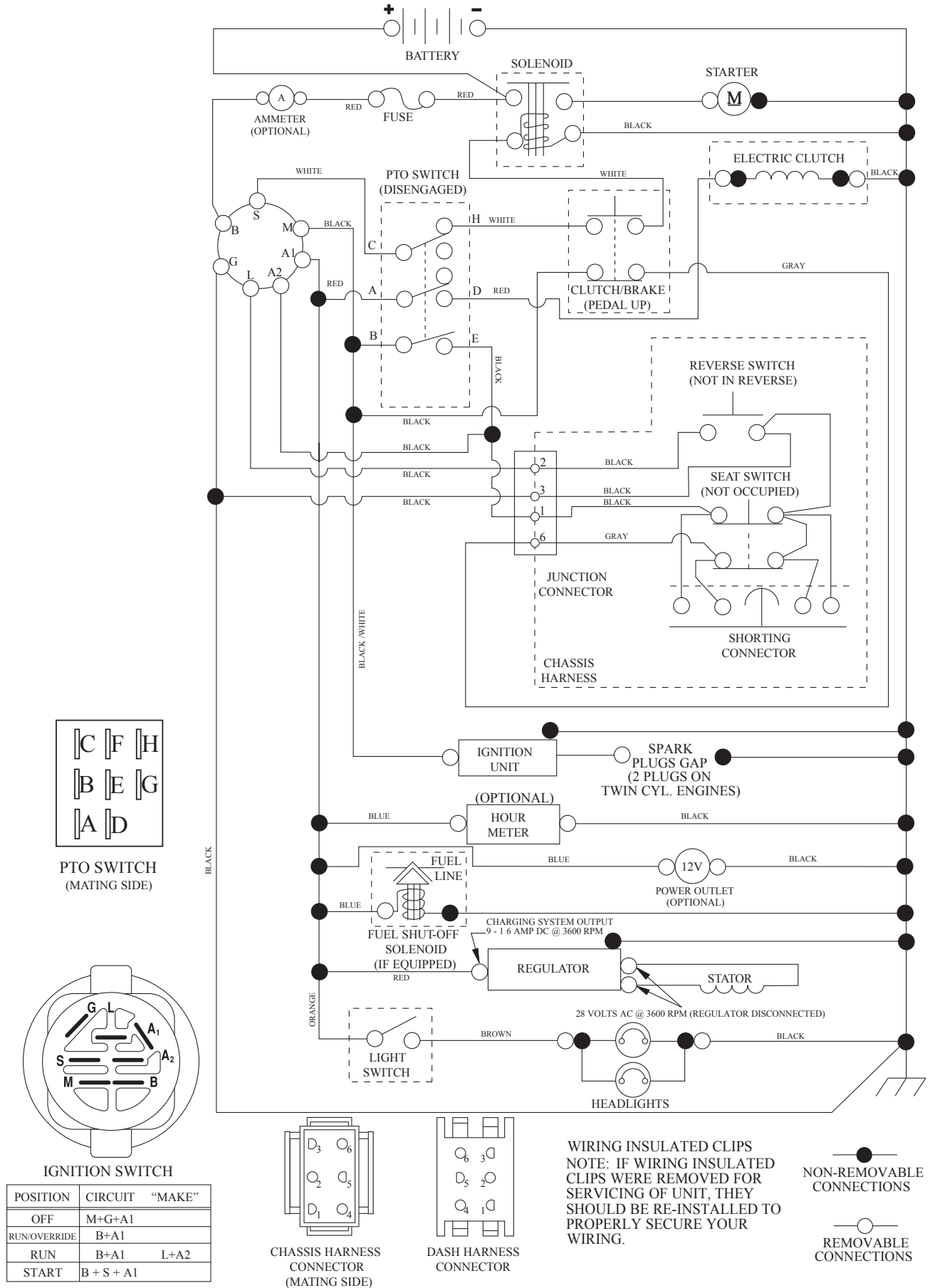
- Producto: "TRACTOR"
- NÚMERO DE MODELO: "YT54LS" (96043017001)"
- Número de pieza
- Descripción de la pieza

## ÍNDICE

DIAGRAMA.....	19
DIAGRAMA ELÉCTRICO .....	20-21
CHASIS.....	22-23
TRANSMISIÓN .....	24-25
MOTOR .....	26-27
DIRECCIÓN .....	28-29
PLATAFORMA DE LA CORTADORA DE CÉSPED.....	30-31
ELEVACIÓN DE LA CORTADORA DE CÉSPED.....	32
ASIENTO.....	33
CALCOMANÍAS.....	34

# TRACTOR - - MODEL NUMBER YT54LS (96043017001), PRODUCT NO. 960 43 01-70 SCHEMATIC

SCH12



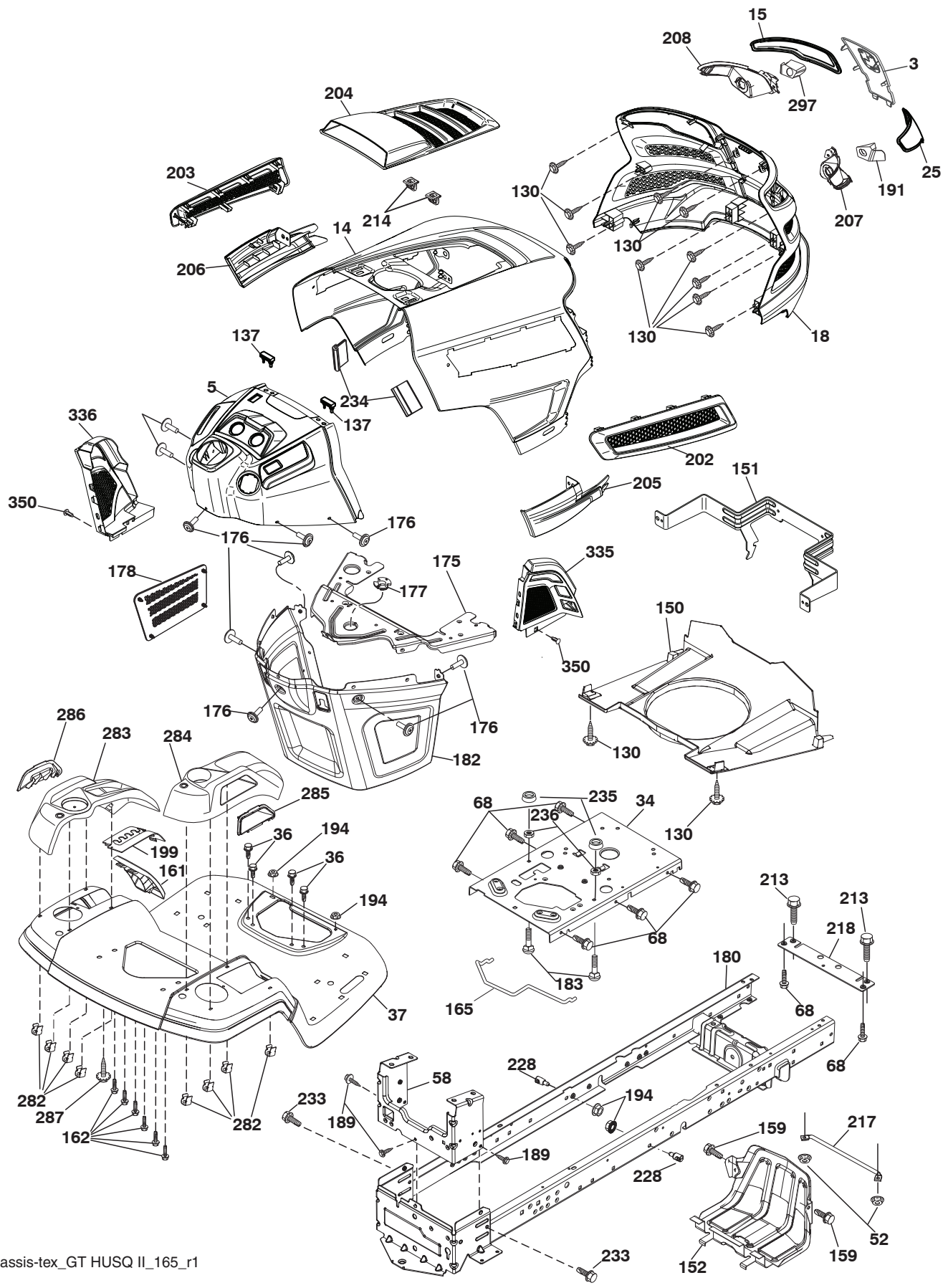


**TRACTOR - - MODEL NUMBER YT54LS (96043017001), PRODUCT NO. 960 43 01-70  
ELECTRICAL**

<b>KEY NO.</b>	<b>PART NO.</b>	<b>DESCRIPTION</b>
1	532 16 34-65	Battery
2	874 76 04-12	Bolt Hex Head 1/4-20 x 3/4
8	532 18 64-91	Box Battery
16	532 17 61-38	Switch Interlock Push-In
21	532 40 02-52	Harness Socket Light w/4152J
22	532 00 41-52	Bulb Light
24	532 40 02-53	Cable Battery
25	532 41 28-95	Cable Starter
26	532 17 51-58	Fuse
27	873 51 04-00	Nut Keps Hex 1/4-20 unc
28	532 14 54-91	Cable, Ground
29	532 40 15-45	Switch, Seat
30	532 19 33-50	Switch, Ign
33	532 41 19-33	Key\Chain
34	532 11 07-12	Switch Light / Reset
40	581 58 35-01	Harness Ign. Dash
41	817 72 04-08	Screw Thd Cut 1/4-20 x 1/2
42	532 13 15-63	Cover, Terminal
43	532 19 25-07	Solenoid
45	532 42 52-70	Ammeter Gauge
46	532 42 52-71	Hourmeter Gauge
50	532 17 46-51	Switch PTO
55	817 06 05-12	Screw Thdrol 5/16-18 x 3/4 TYTT
59	532 40 03-03	Outlet 12-Volt
71	532 19 42-76	Harness Ign. Chassis
79	532 17 52-42	Socket Asm Bulb Twistlock
90	532 43 53-95	Cover Terminal
91	532 19 02-70	Strap Battery Mount
99	817 67 04-12	Screw Hexwsh Thdrol 1/4-20 x 3/4
100	819 09 14-16	Washer 9/32 x 7/8 x 16 Ga.
102	532 40 44-54	Harness Pigtail
103	532 42 17-47	Harness Pigtail
105	532 40 75-68	Switch Reverse TT Pedal Control
142	583 85 78-01	Charge Port Pigtail
143	532 44 08-59	Charge Port

**NOTE:** All component dimensions given in U.S. inches  
1 inch = 25.4 mm

TRACTOR - - MODEL NUMBER YT54LS (96043017001), PRODUCT NO. 960 43 01-70  
CHASSIS



chassis-tex\_GT HUSQ II\_165\_r1

**TRACTOR - - MODEL NUMBER YT54LS (96043017001), PRODUCT NO. 960 43 01-70  
CHASSIS**

<b>KEY NO.</b>	<b>PART NO.</b>	<b>DESCRIPTION</b>	<b>KEY NO.</b>	<b>PART NO.</b>	<b>DESCRIPTION</b>
3	532 44 44-81	Applique Subasm.	202	532 43 97-28	Vent Side Hood RH
5	532 43 74-90	Dash	203	532 43 97-27	Vent Side Hood LH
14	532 44 11-77	Hood	204	532 43 57-14	Vent Top Hood
15	532 43 97-33	Lens LH	205	532 43 97-30	Skirt Hood Side RH
18	532 44 06-53	Grille	206	532 43 97-29	Skirt Hood Side LH
25	532 43 97-34	Lens RH	207	532 44 33-85	Bezel RH
34	580 91 08-01	Plate Engine	208	532 43 97-33	Bezel LH
36	817 06 05-12	Screw 5/16-18 x 3/4	213	874 76 05-12	Bolt 5/16-18 unc x 3/4
37	532 44 11-78	Fender	214	532 19 91-45	Clip Retainer Tinner
52	873 68 05-00	Nut Lock 5/16-18	217	532 40 91-67	Rod Pivot
58	532 41 22-80	Drawbar Upper	218	532 19 63-95	X-Piece Hood Stop
68	817 49 05-08	Screw 5/16-18 x 1/2	228	532 19 51-61	Stud Fastner
130	532 41 63-58	Screw #10 x 0.750 BOS Thread	233	532 19 65-39	Bolt Shoulder
137	532 40 75-90	Bumper Dash	234	532 40 47-42	Bumper Hood
150	532 43 97-74	Air Duct	235	532 40 61-29	Spacer Fender
151	532 43 66-70	Pivot Bracket	236	873 93 05-00	Nut Lock 5/16-18 unc
152	532 43 98-70	Shield Browning	282	532 41 41-10	Clip Retainer Console
159	817 00 06-12	Screw 3/8-16 x 3/4	283	532 43 98-61	Console Asm. Decklift
161	532 43 97-81	Window Fuel	284	532 43 98-23	Console Asm.
162	532 14 24-32	Screw	285	532 41 63-15	Console Insert RH
165	532 19 68-26	Support Tank Rear	286	532 41 63-17	Console Insert LH
175	532 19 63-04	Crossmember	287	817 60 04-06	Screw Hex Washhead 1/4-20 x 3/8
176	532 40 07-76	Screw 10-24 x 5/8	297	532 43 74-56	Insert Reflective LH
177	532 19 52-27	Bushing Steering	335	532 44 82-04	Cover Lower Dash RH
178	532 19 97-82	Cargo Net Asm.	336	532 44 53-09	Cover Lower Dash LH
180	532 41 50-63	Chassis	350	532 44 51-43	Clip X-mas Tree
182	532 40 68-59	Dash Lower			
183	874 52 05-20	Bolt 5/16-18 x 1-1/4			
189	817 00 05-12	Screw 5/16-18 x 3/4			
191	532 43 74-55	Insert Reflective RH			
194	873 90 05-00	Nut Lock Hex Flange 5/16-18			
199	532 41 34-85	Plate Deck Lift			

**NOTE:** All component dimensions given in U.S. inches  
1 inch = 25.4 mm



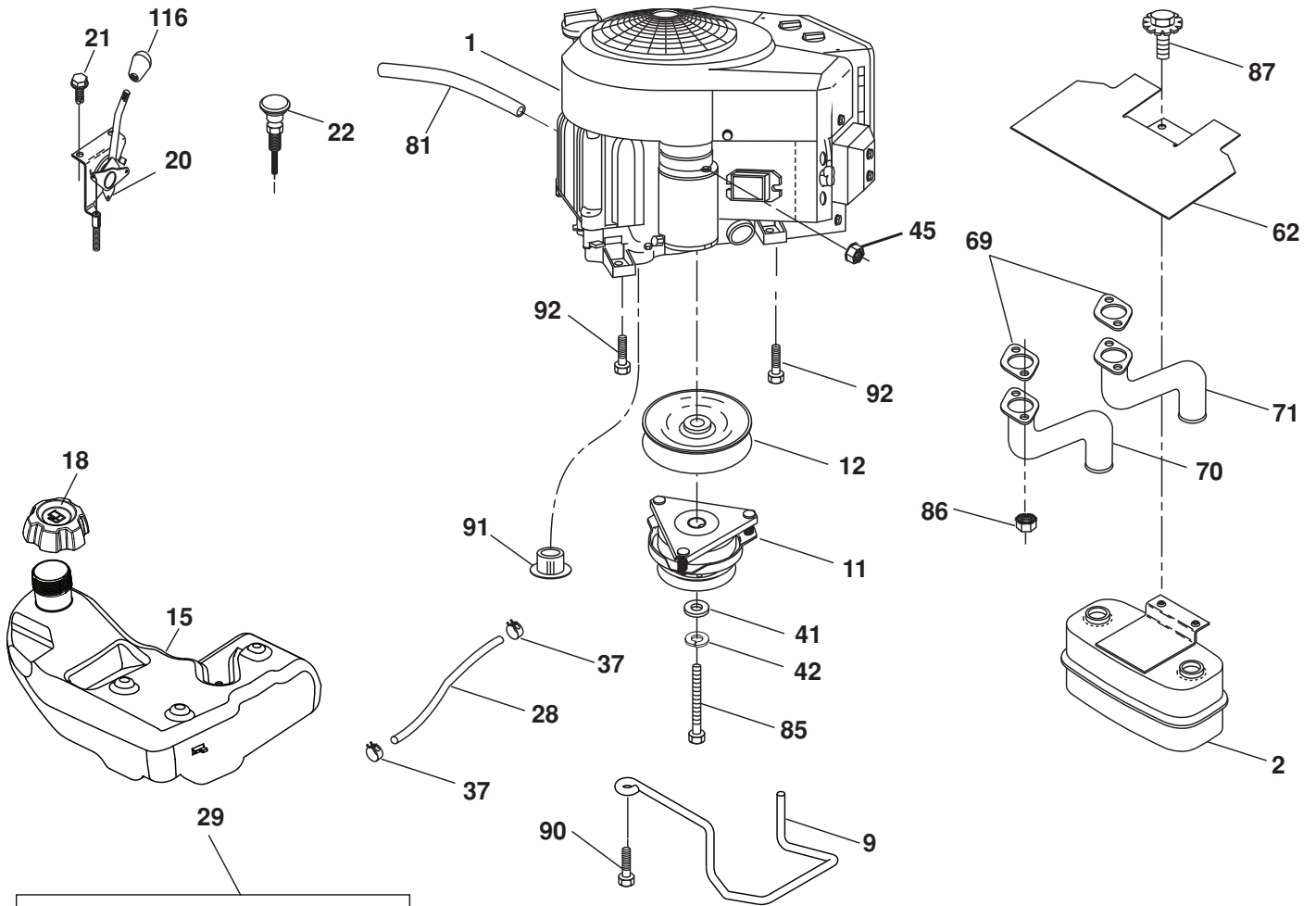


**TRACTOR - - MODEL NUMBER YT54LS (96043017001), PRODUCT NO. 960 43 01-70  
DRIVE**

<b>KEY NO.</b>	<b>PART NO.</b>	<b>DESCRIPTION</b>	<b>KEY NO.</b>	<b>PART NO.</b>	<b>DESCRIPTION</b>
1	---	Transaxle, TUFFTORQ K46CR (426121) (Order parts from transaxle manufacturer.)	184	532 44 14-55	Handle Parking Brake
2	532 12 35-83	Key	185	872 11 06-22	Bolt Rdhd Sqnk 3/8-16 x 2-3/4 Gr. 5
15	819 13 13-16	Washer 13/32 x 13/16 x 16 Ga.	186	532 19 43-21	Spacer Retainer
17	532 41 36-78	Spring, Brake	187	819 13 32-10	Washer
26	532 19 96-79	Spring Return Cruise	188	532 19 43-23	Link Clutch Ground Drive
29	532 40 38-06	Rod, Brake	189	532 19 43-17	Bellcrank Ground Drive
33	812 00 00-01	Ring E	190	532 19 43-18	Keeper Bellcrank Ground Drive
35	583 86 45-01	Rod, Brake, Park	196	817 00 06-16	Screw 3/8-16 x 1
42	532 12 48-72	Cover, Foot Pedal	197	532 19 58-04	Bracket Clutch Anti-Rotation
49	872 11 06-14	Bolt	205	532 12 17-48	Washer
50	532 19 43-27	Pulley Idler Flat	206	532 44 85-96	Bracket Mount Latch Cruise
51	873 90 06-00	Lock Nut 3/8-16	207	532 19 78-68	Latch Control Cruise
52	532 19 43-26	Idler V-Groove	208	532 19 78-69	Gear Sector Control Cruise
56	532 13 09-69	V-Belt, Drive	209	532 19 95-92	Rod Control Cruise
64	532 19 78-65	Shaft Asm. Pedal Brake Control	210	532 40 09-80	Rocker Asm. Pedal Control
73	874 49 05-40	Bolt Hex Flghd 5/16-18 x 2.1/2 G5	211	532 12 01-83	Bearing Nylon
80	532 44 06-19	Bracket Strap Torque	213	532 40 31-19	Knob Control Cruise
92	874 76 05-20	Bolt Fin Hex 5/16-18 unc x 1.25	214	532 41 68-63	Pedal Forward
99	532 41 57-42	Rod Spring Bypass	215	532 40 17-23	Pedal Reverse
116	873 90 05-00	Nut Lock Hex Flange 5/16-18	216	532 19 61-31	Bracket Pulley Idler
125	817 00 05-12	Screw 5/16-18 x 3/4	221	532 40 31-87	Retainer Spring Clip Handle
143	817 49 05-08	Screw 5/16-18 x 1/2	222	879 21 20-10	Washer 21/32 x 1-1/4 x 10 Ga.
153	532 12 47-88	Retainer Spring	225	532 40 33-19	Keeper Belt Trans.
159	876 02 04-12	Pin Cotter 1/8 x 3/4	226	532 40 15-64	Bracket Mount Touque
160	532 16 94-84	Retainer Clip	227	817 49 05-12	Screw 5/16-18 x 3/4
161	532 10 57-09	Spring, Return, Clutch	230	532 18 89-67	Washer Hardened
163	532 44 82-75	Rod Pedal Control	231	532 40 72-87	Idler V-Groove
166	532 42 91-64	Nut Push	284	532 41 76-93	Nut U Channel
167	532 40 52-57	Latch Brake Parking	307	874 18 04-12	Screw Mach Cr. 1/4-20 x 3/4
170	532 41 34-30	Keeper Belt Centerspan			
183	532 13 70-57	Spacer Split			

**NOTE:** All component dimensions given in U.S. inches  
1 inch = 25.4 mm

**TRACTOR - - MODEL NUMBER YT54LS (96043017001), PRODUCT NO. 960 43 01-70  
ENGINE**



**SPARK ARRESTER KIT**

engine-tex\_Kawa-2cyl\_5\_r1

**TRACTOR - - MODEL NUMBER YT54LS (96043017001), PRODUCT NO. 960 43 01-70  
ENGINE**

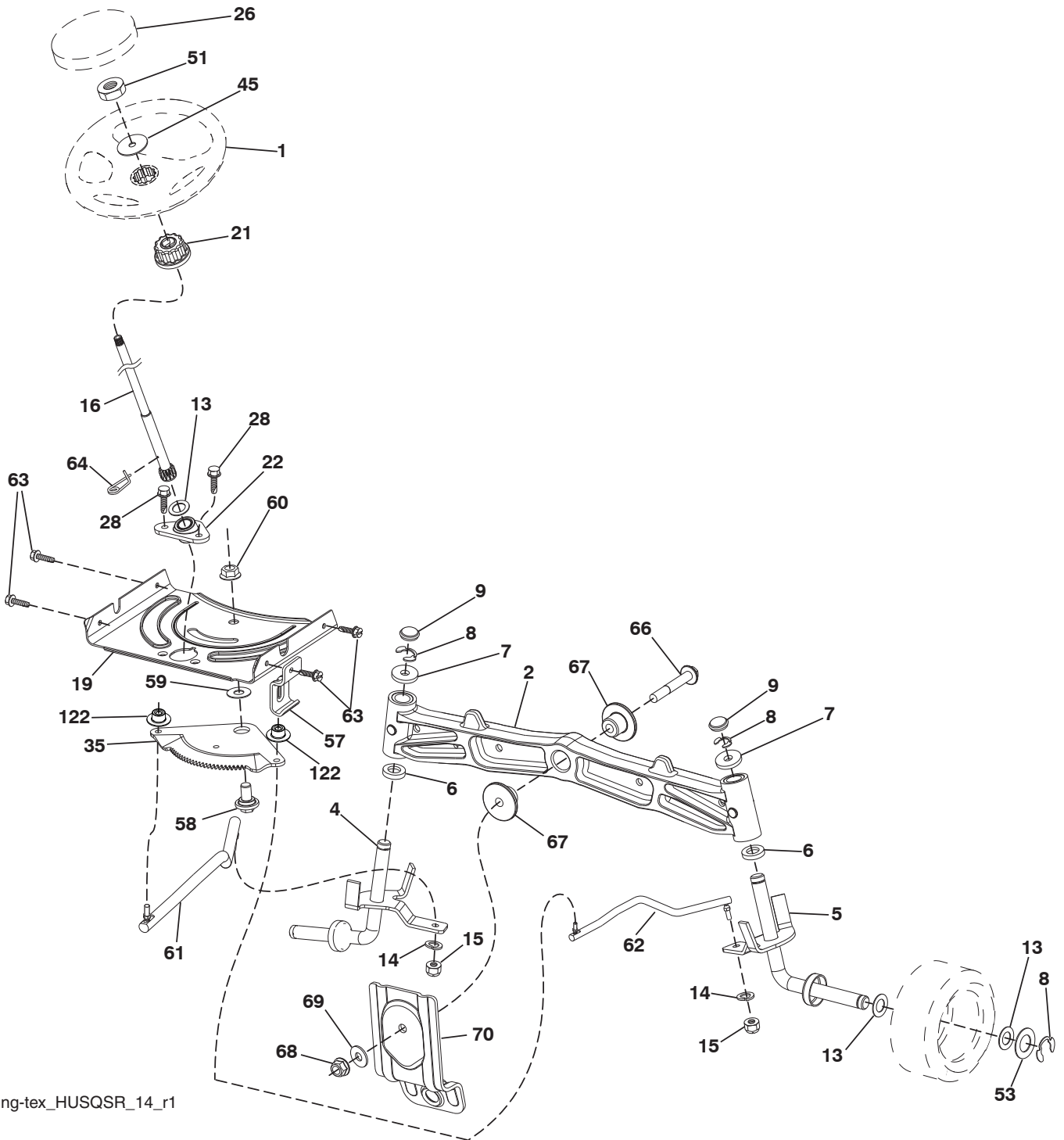
<b>KEY NO.</b>	<b>PART NO.</b>	<b>DESCRIPTION</b>
1	- - - - -	Engine Kawa Model No. FR691-DS15 (581557501) (Order parts from engine manufacturer.)
2	532 44 59-62	Muffler
9	584 90 80-01	Keeper Belt Engine
11	532 40 00-08	Clutch
12	532 40 50-97	Pulley Engine
15	532 43 80-80	Tank Fuel
18	532 43 92-08	Cap Asm Fuel
20	532 42 43-41	Control Throttle
21	532 41 63-58	Screw #10 x .750 BOS Thread
22	532 18 95-41	Control Choke
28	532 40 11-35	Fuel Line
29	532 13 71-80	Spark Arrester Kit
37	532 12 34-87	Clamp Hose
41	532 12 61-97	Washer 1-1/2 OD x 15/32 ID x .250
42	810 04 07-00	Washer Lock 7/16
45	873 51 04-00	Nut Keps Hex 1/4-20 unc
62	532 43 40-17	Heat Shield
69	532 17 81-51	Gasket
70	583 95 56-01	Exhaust Tube LH
71	583 95 57-01	Exhaust Tube RH
81	532 14 84-56	Tube Drain Oil Easy
85	532 17 39-37	Bolt Hex 7/16-20 x 4 x Gr. 5-1.5 Thr
86	532 18 43-62	Nut Hex Flange Toplock MS-1.25
87	537 17 18-77	Bolt 5/16-18 unc x 3/4 w/Sems
90	817 00 06-16	Screw 3/8-16 x 1
91	532 18 74-95	Bushing
92	817 12 06-16	Screw 3/8-16 x 1
116	539 13 26-24	Knob

**NOTE:** All component dimensions given in U.S. inches  
1 inch = 25.4 mm

For engine service and replacement parts, call the toll free  
number for your engine manufacturer listed below:

Kawasaki 1-949-460-5688

**TRACTOR - - MODEL NUMBER YT54LS (96043017001), PRODUCT NO. 960 43 01-70**  
**STEERING ASSEMBLY**



steering-tex\_HUSQSR\_14\_r1

**TRACTOR - - MODEL NUMBER YT54LS (96043017001), PRODUCT NO. 960 43 01-70  
STEERING ASSEMBLY**

<b>KEY NO.</b>	<b>PART NO.</b>	<b>DESCRIPTION</b>
1	532 43 97-40	Wheel, Steering
2	532 19 59-68	Axle Asm., Front
4	532 40 30-87	Spindle Asm., LH
5	532 40 30-88	Spindle Asm., RH
6	532 12 49-31	Bearing, Race Thrust Harden
7	532 12 17-48	Washer 25/32 x 1-5/8 x 16 Ga.
8	812 00 00-29	Ring, Klip #T5304-75
9	532 12 12-32	Cap, Spindle
13	532 12 17-49	Washer 25/32 x 1-1/4 x 16 Ga.
14	810 04 06-00	Washer, Lock Hvy Hicl Spr 3/8
15	873 54 06-00	Nut, Crown Lock 3/8-24 unf
16	532 40 82-19	Shaft Steering
19	532 19 47-29	Plate Steering
21	532 18 67-37	Adapter, Wheel Steering
22	532 42 05-37	Strg. Supt. Lower
26	532 43 97-43	Insert, Wheel Steering
28	817 00 06-12	Screw 3/8-16 x 3/4
35	532 19 47-32	Gear, Sector Plate
45	819 18 38-12	Washer 9/16 ID x 2-3/8 OD 12 Ga.
51	873 94 08-00	Nut Hex Jam Toplock 1/2-20 unf
53	532 18 89-67	WasherHardened.793x1.637x.060
57	532 19 72-46	Bracket Upstop
58	532 19 47-47	Bolt Shoulder Sector Pivot CFM
59	532 19 47-48	Washer Thrust Sector Steering
60	873 97 10-00	Nut Flange Lock 5/8-11
61	532 19 47-40	Draglink LH
62	532 19 47-41	Draglink, RH
63	817 00 05-12	Screw 5/16-18 x 3/4
64	532 19 98-49	Retainer Clip Spring Steering
66	871 02 07-48	Bolt Hex Fghd 7/16-14 x 3 Serr
67	532 19 47-37	Bushing PM Front Axle
68	873 90 07-00	Nut Lock Flange 7/16-14 Gr. 5
69	532 19 91-62	Washer 1.5 x .505 x .118
70	532 19 61-97	Bracket Deck Susp. Front
122	532 44 49-62	Cap Gear

**NOTE:** All component dimensions given in U.S. inches  
1 inch = 25.4 mm

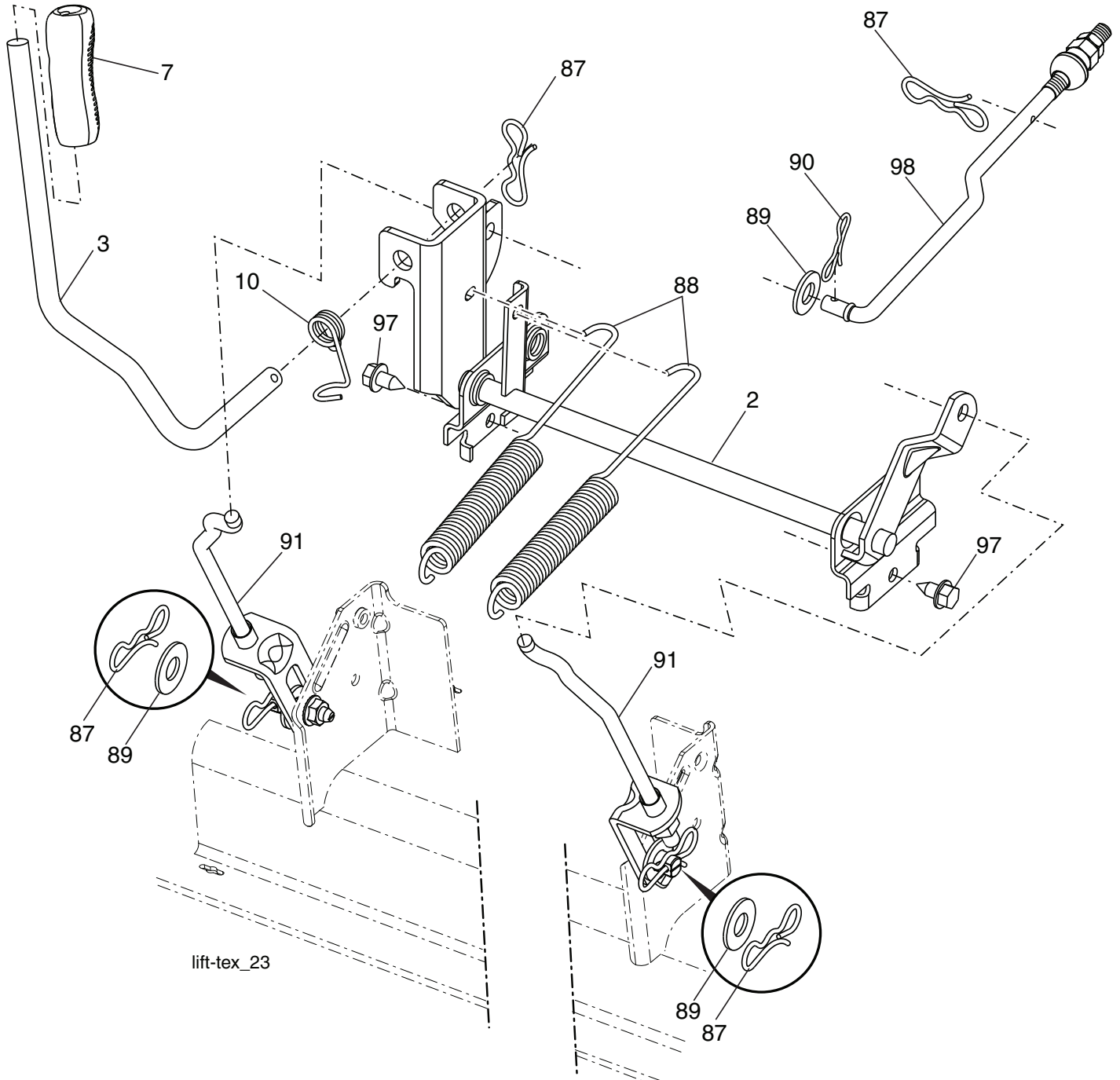


**TRACTOR - - MODEL NUMBER YT54LS (96043017001), PRODUCT NO. 960 43 01-70  
MOWER DECK**

KEY NO.	PART NO.	DESCRIPTION	KEY NO.	PART NO.	DESCRIPTION
1	532 44 18-47	Deck Weldment Mower	98	532 19 61-05	Spring Drive
4	584 30 66-01	Cap Revolution Upper	113	872 11 05-08	Bolt Carr. 5/16-18 unc x1
5	580 95 40-02	Holder Blade Revolution	114	532 18 75-56	Rod Tension Relief
6	532 19 60-66	Cover Mandrel LH	116	532 19 34-06	Bolt, Shoulder
7	532 19 71-81	Cover Mandrel RH	117	532 17 48-73	Gauge Wheel
11	581 10 11-01	Blade Bagging	120	819 13 20-12	Washer 13/32 x 1-1/4 x 12 Ga.
12	532 40 48-51	Rod Anti Sway	122	532 18 75-57	Bushing Tension Relief
13	580 86 21-01	Shaft Asm Rev Tall	159	585 32 28-01	Plate Reinforcement Side
14	581 20 43-01	Housing Mandrel Rev Tall	160	585 32 26-01	Plate Reinforcement Front
16	819 13 13-12	Washer 3/8	184	873 90 05-00	Nut Lock Hex Flange 5/16-18
15	532 11 04-85	Bearing, Ball, Mandrel	185	873 90 07-00	Nut Lock Flange 7/16-14 Gr. 5
18	872 14 05-05	Bolt Carriage 5/16-18 x 5/8	187	532 19 51-61	Stud Fastener w/"D" Anti-Rotation
19	532 19 42-08	Pin Cotter 5/16 Bowtie	189	532 19 51-85	Arm Susp. Mower Rear
21	873 68 05-00	Nut, Crownlock 5/16-18 unc	190	532 19 65-39	Bolt Shoulder
24	532 10 53-04	Cap Sleeve	192	532 19 84-68	Keeper Belt Idler
25	532 17 81-02	Spring, Torsion	194	874 49 07-36	Bolt Hex Washer Head 7/16-24
26	532 11 04-52	Nut, Push	196	872 14 06-20	Bolt Rdhd 3/8-16 x 2-1/2 Gr. 5
27	532 18 89-38	Deflector Shield	197	872 14 05-08	Bolt 5/16-18 x 1
29	532 13 14-91	Rod, Hinge	241	532 15 29-27	Screw TT #10-32.5. 3/8 Flange
30	532 17 39-84	Screw, Thdroll Washer Head	242	532 41 55-98	Port Washout
31	532 18 76-90	Washer, Spacer Mower Vented	260	584 30 67-01	Cap Revolution Lower
32	532 15 35-35	Pulley, Mandrel	261	584 30 93-01	Screw Sems 6/16-20 x 1 Hex Head
33	532 40 02-34	Nut, Flg. Top Lock	--	532 41 64-05	Quick Disconnect Coupling
34	873 68 06-00	Nut Crownlock 3/8-16 unc	--	580 86 26-01	Mandrel Asm. Service Mandrel Assembly (Includes housing (key#14), shaft assembly (key#13), and bearing (key#15) only - pulley/nut/washer and blade bolt/washers not included)
39	532 19 73-80	Pulley, Idler, 4.50	--	581 77 04-01	Replacement Mower, Complete
43	532 19 60-65	Arm, Idler			
46	532 13 77-29	Screw, Thdroll. 1/4-20 x 5/8			
47	532 19 61-03	Belt Deck Drive			
49	873 90 06-00	Nut, Lock Flg. 3/8-16 unc			
50	872 11 06-16	Bolt Rdhd Sqnk 3/8-16 unc x 2			
52	532 19 73-79	Pulley Idler			
58	532 18 73-42	Baffle Right			
59	532 18 73-44	Baffle Left			
60	532 18 76-07	Baffle Center			
63	872 11 05-10	Bolt 5/16-18 x 1-1/4 Gr.5			
97	532 17 85-15	Washer Hardened			

**NOTE:** All component dimensions given in U.S. inches  
1 inch = 25.4 mm

**TRACTOR - - MODEL NUMBER YT54LS (96043017001), PRODUCT NO. 960 43 01-70  
MOWER LIFT**



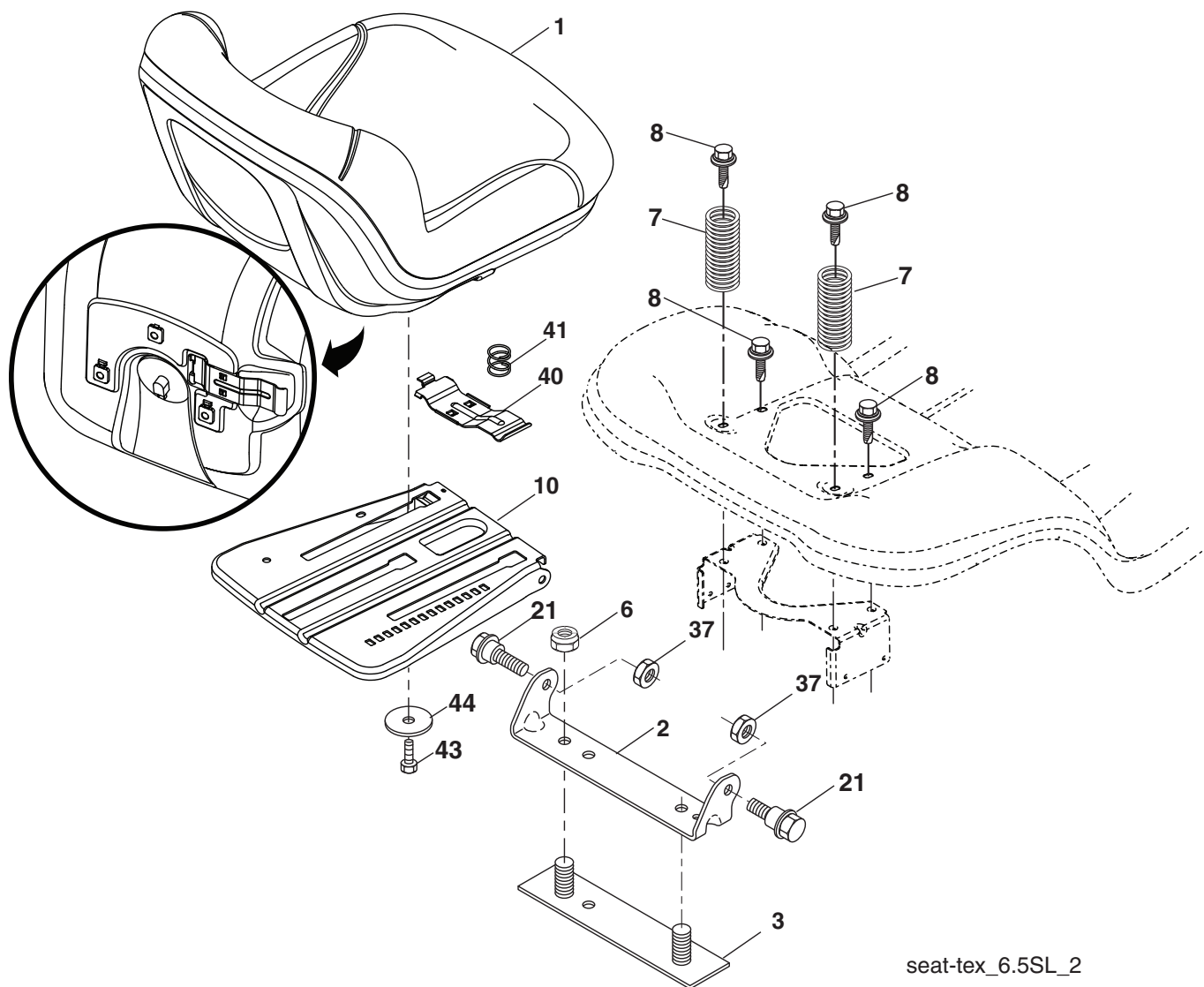
KEY NO.	PART NO.	DESCRIPTION
2	532 42 20-27	Shaft Asm., Lift
3	532 19 52-31	Lever Lift Handle
7	580 96 23-01	Grip, Lever
10	532 19 63-14	Spring Torsion
87	532 19 42-09	Pin Cotter 7/16 Bow Tie Lock
88	532 41 07-10	Spring Lift Assist
89	819 19 19-12	Washer Clear Zinc

KEY NO.	PART NO.	DESCRIPTION
90	532 19 42-08	Pin Cotter 5/16 Bow Tie Lock
91	532 40 34-07	Link Lift Susp Mower Rear
97	817 00 06-12	Screw 3/8-16 x 3/4
98	532 19 52-64	Link Asm. Susp. Front Mower

**NOTE:** All component dimensions given in U.S. inches  
1 inch = 25.4 mm



**TRACTOR - - MODEL NUMBER YT54LS (96043017001), PRODUCT NO. 960 43 01-70  
SEAT ASSEMBLY**



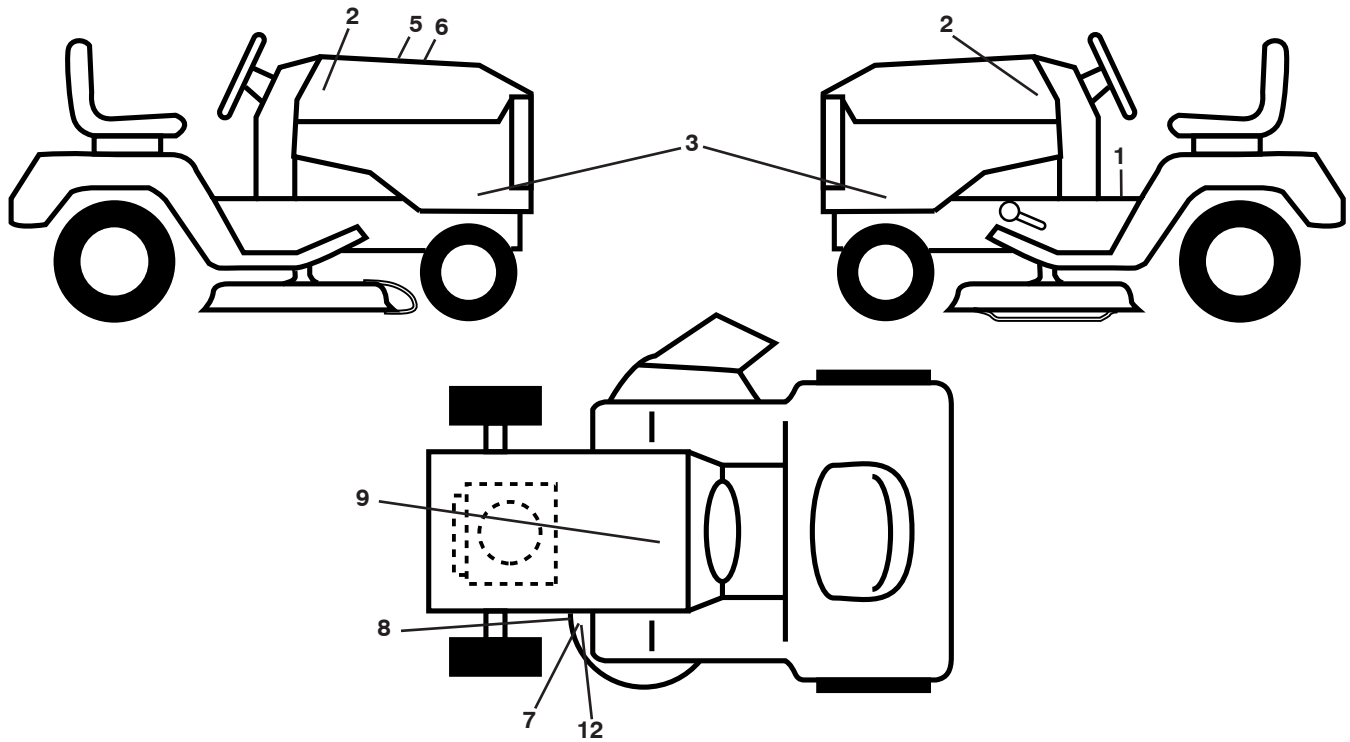
seat-tex\_6.5SL\_2

KEY NO.	PART NO.	DESCRIPTION
1	532 43 98-22	Seat
2	532 18 01-66	Bracket Pivot Fender
3	532 14 06-75	Strap, Asm Fender
6	873 80 06-00	Nut, Lock W/Ins. 3/8-16 unc
7	532 12 41-81	Spring, Seat Cprsn
8	532 17 18-77	Bolt 5/16-18 unc x 3/4 w/Sems
10	532 19 69-77	Pan, Seat
21	532 17 18-52	Bolt, Shoulder 5/16-18

KEY NO.	PART NO.	DESCRIPTION
37	873 80 05-00	Nut, Lock 5/16-18 unc
40	532 43 98-71	Handle Slide Seat
41	532 19 82-00	Spring Latch Seat
43	874 76 06-12	Bolt Fin Hex 3/8-16 unc x 3/4
44	819 13 38-12	Washer 13/32 x 2-3/8 x 12 Ga.

**NOTE:** All component dimensions given in U.S. inches  
1 inch = 25.4 mm

**TRACTOR - - MODEL NUMBER YT54LS (96043017001), PRODUCT NO. 960 43 01-70  
DECALS**



KEY NO.	PART NO.	DESCRIPTION	KEY NO.	PART NO.	DESCRIPTION
1	581 57 89-01	Decal, Warning	12	581 72 45-02	Decal, Mower Caution
2	581 62 73-01	Decal, Badge	--	581 72 48-01	Decal, Bypass
3	581 61 95-01	Decal, Panel SD	--	532 43 96-81	Pad, Footrest, LH
5	532 42 38-29	Decal, Customer Respons.	--	532 43 96-82	Pad, Footrest, RH
6	584 47 39-01	Decal, Replacement	--	585 92 28-96	Manual, Operator's (English/Spanish)
7	581 57 95-01	Decal, Mower Caution	--	585 92 29-27	Manual, Repair Parts (English/Spanish)
8	581 58 00-02	Decal, Mower V-Belt Schematic			
9	532 14 50-05	Decal, Battery Dnge/Poi			

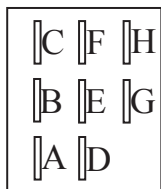
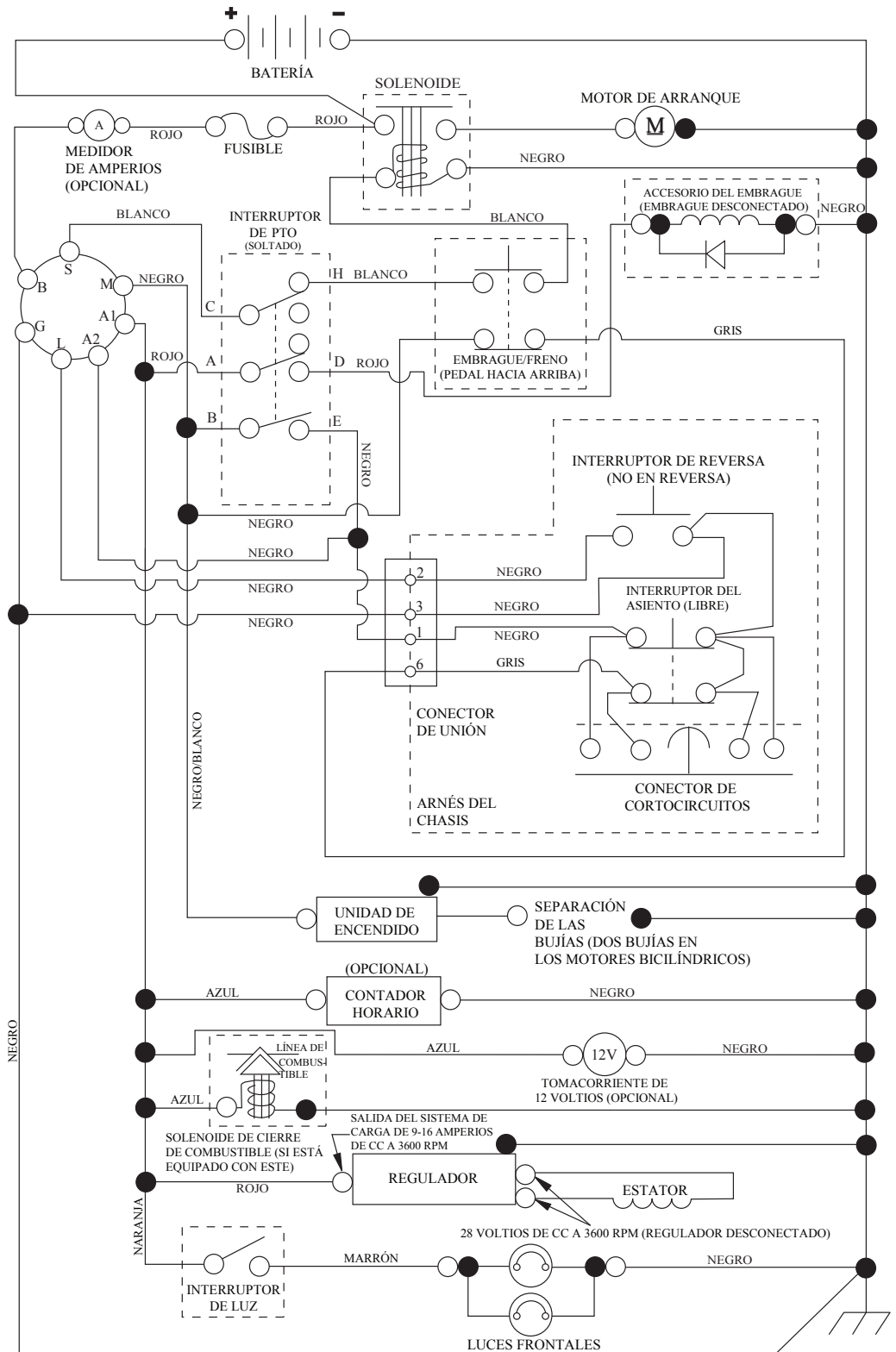
**WHEELS AND TIRES**

KEY NO.	PART NO.	DESCRIPTION
1	532 05 91-92	Cap Valve Tire
2	532 06 51-39	Stem Valve
3	532 13 83-36	Rim Front Service
4	532 05 99-04	Tube Front (Service Item Only)
5	532 10 62-22	Tire Front 15 x 6-6
6	532 12 49-57	Fitting Grease (Front Wheel Only)
7	532 12 49-59	Bearing Flange (Front Wheel Only)
8	532 17 50-39	Cap Axle Blk 1 50 x 1 00
9	532 13 84-68	Tire Rear 20 x 8-8
10	532 12 49-26	Tube Rear (Service Item Only)
11	532 13 83-37	Rim Asm 8" rear Service
--	532 14 43-34	Sealant, Tire (10 oz. Tube)

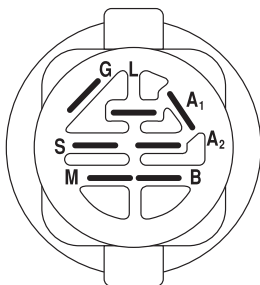
**NOTE:** All component dimensions given in U.S. inches  
1 inch = 25.4 mm

# TRACTOR - - MODELO NO. YT54LS (96043017001), PRODUCTO NO. 960 43 01-70 DIAGRAMA

SCH12-s

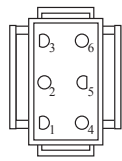


INTERRUPTOR DE PTO  
(CARA DE ACOPLAMIENTO)

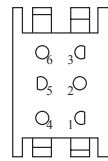


INTERRUPTOR DE ENCENDIDO

POSICIÓN	CIRCUITO «MARCA»
APAGADO	M+G+A1
PONER EN FUNCIONAMIENTO/ANULAR	B+A1
PONER EN FUNCIONAMIENTO	B+A1 L+A2
ARRANCAR	B + S + A1



CONEXIÓN DEL  
ARNÉS DEL CHASIS  
(LATERAL QUE COINCIDA)



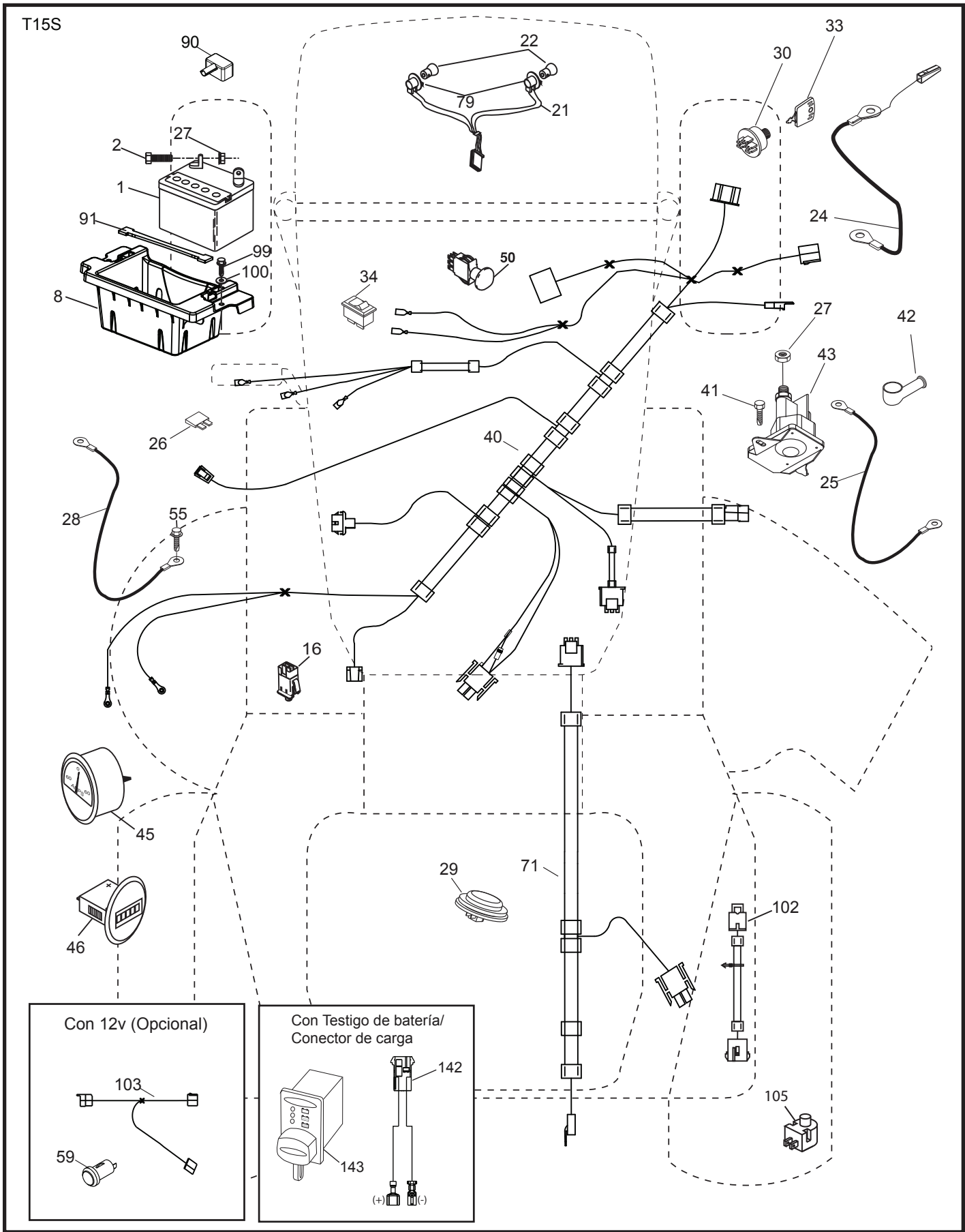
CONEXIÓN PARA EL  
ARNÉS DEL TABLERO

NOTA SOBRE LAS ABRAZADERAS DE AISLAMIENTO DEL CABLEADO: SI SE QUITAN LAS ABRAZADERAS DE AISLAMIENTO DEL CABLEADO PARA HACER EL MANTENIMIENTO DE LA UNIDAD, SE LAS DEBERÁ INSTALAR NUEVAMENTE PARA PROTEGER EL CABLEADO ADECUADAMENTE.

● CONEXIONES NO DESMONTABLES

○ CONEXIONES DESMONTABLES

**TRACTOR - - MODELO NO. YT54LS (96043017001), PRODUCTO NO. 960 43 01-70**  
**DIAGRAMA ELÉCTRICO**

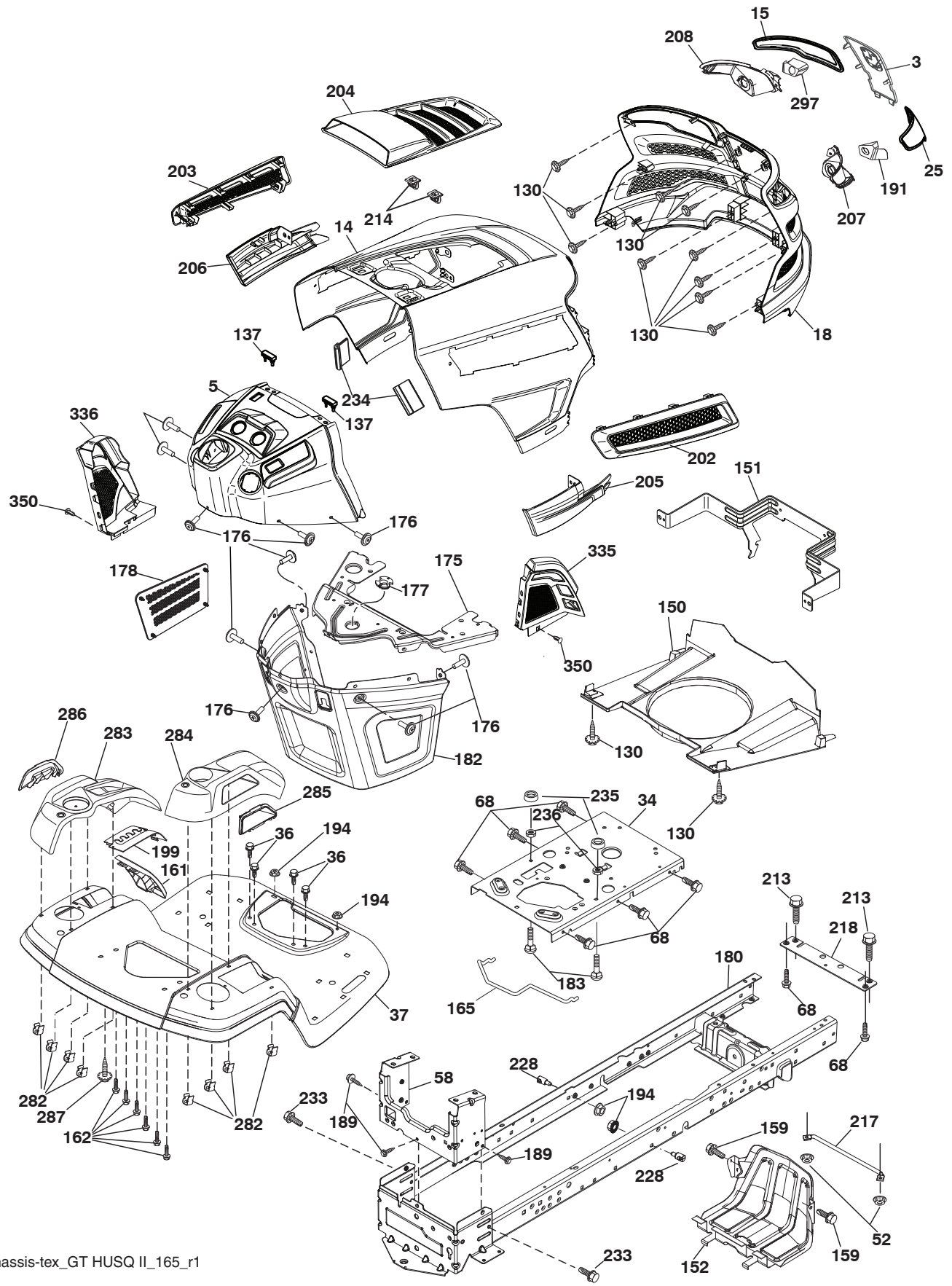


**TRACTOR - - MODELO NO. YT54LS (96043017001), PRODUCTO NO. 960 43 01-70  
DIAGRAMA ELÉCTRICO**

CÓDIGO PIEZA		DESCRIPCIÓN
No.	No.	
1	532 16 34-65	Batería
2	874 76 04-12	Perno 1/4-20 x 3/4
8	532 18 64-91	Puerta de la caja de la batería
16	532 17 61-38	Interruptor
21	532 40 02-52	Arnés con 4152j
22	532 00 41-52	Luz
24	532 40 02-53	Cable de batería
25	532 41 28-95	Cable
26	532 17 51-58	Fusible
27	873 51 04-00	Seguridad 1/4-20 unc
28	532 14 54-91	Cable
29	532 40 15-45	Interruptor
30	532 19 33-50	Interruptor de ignición
33	532 41 19-33	Llave\cadena
34	532 11 07-12	Posición del interruptor de luz
40	581 58 35-01	Arnés
41	817 72 04-08	Tornillo 1/4-20 x 1/2
42	532 13 15-63	Cubierta
43	532 19 25-07	Solenoide
45	532 42 52-70	Indicador
46	532 42 52-71	Con Contador Horario
50	532 17 46-51	Interruptor pto
55	817 06 05-12	Tornillo, 5/16-18 x 3/4 tytt
59	532 40 03-03	toma de corriente 12V
71	532 19 42-76	Arnés de ignición chasis
79	532 17 52-42	Enchufe de cierre por torsión del ensamble de la bombilla
90	532 43 53-95	Cubierta
91	532 19 02-70	Correa
99	817 67 04-12	Tornillo, 1/4-20 x 3/4
100	819 09 14-16	Arandela 9/32 x 7/8 x calibre 16
102	532 40 44-54	Arnés
103	532 42 17-47	Arnés
105	532 40 75-68	Interruptor
142	583 85 78-01	Puerto coleta de carga
143	532 44 08-59	Puerto de carga

**NOTA:** Las dimensiones de todos los componentes están expresadas en pulgadas americanas. 1 pulgada = 25,4 mm

TRACTOR - - MODELO NO. YT54LS (96043017001), PRODUCTO NO. 960 43 01-70  
CHASIS



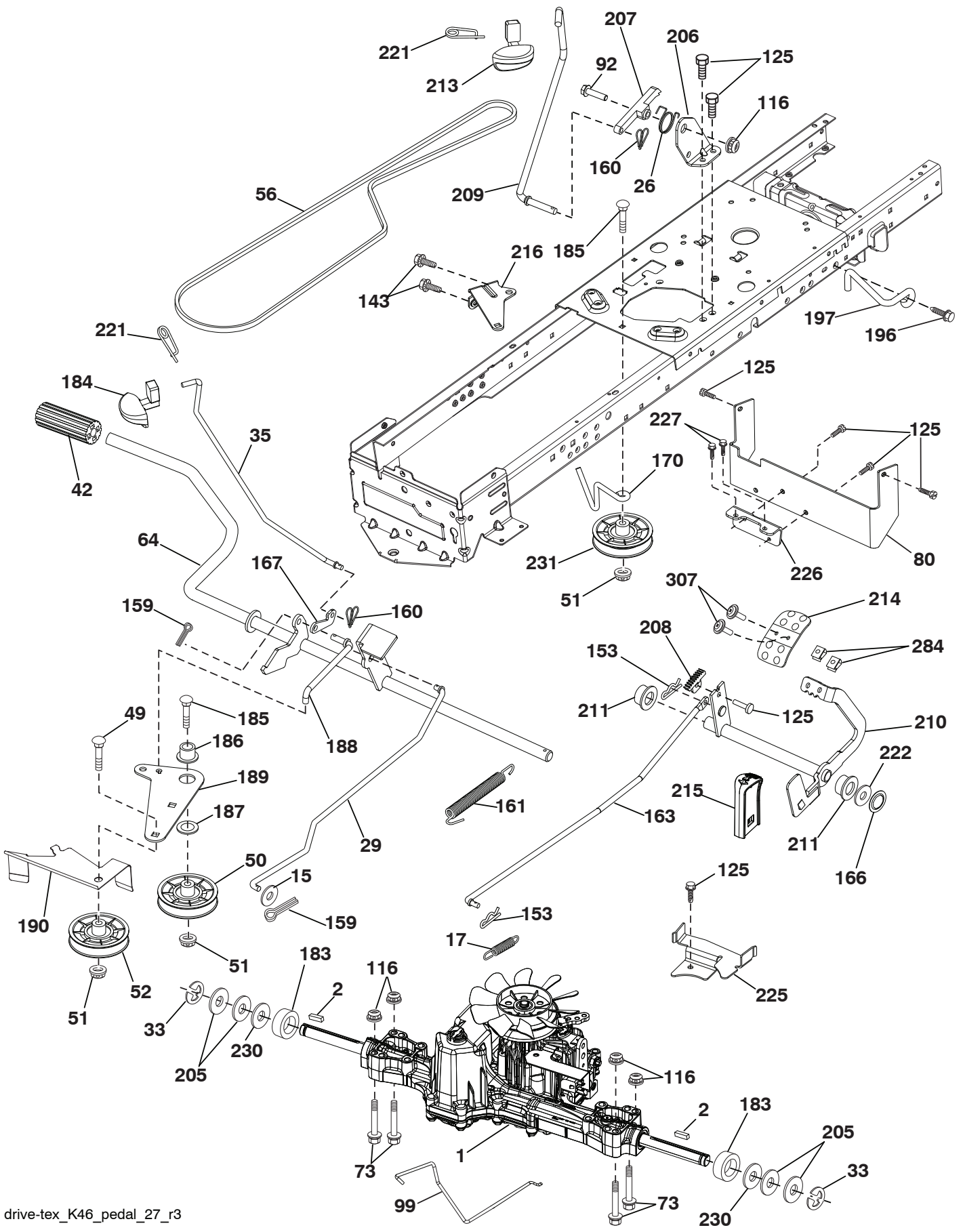
chassis-tex\_GT HUSQ II\_165\_r1

# TRACTOR - - MODELO NO. YT54LS (96043017001), PRODUCTO NO. 960 43 01-70 CHASIS

CÓDIGO No.	PIEZA No.	DESCRIPCIÓN	CÓDIGO No.	PIEZA No.	DESCRIPCIÓN
3	532 44 44-81	Aplica submontaje	205	532 43 97-30	Camisa de Capota (LD)
5	532 43 74-90	Tablero	206	532 43 97-29	Camisa de Capota (LI)
14	532 44 11-77	Capota	207	532 44 33-85	Bezel (LD)
15	532 43 97-33	Lente izquierdo de la parrilla	208	532 43 97-33	Bezel (LI)
18	532 44 06-53	Parrilla	213	874 76 05-12	Perno 5/16-18 unc x 3/4
25	532 43 97-34	Lente derecho de la parrilla	214	532 19 91-45	Cierre
34	580 91 08-01	Chapa motor	217	532 40 91-67	Varilla giratoria
36	817 06 05-12	Tornillo 5/16-18 x 3/4	218	532 19 63-95	Tope
37	532 44 11-78	Guardabarros	228	532 19 51-61	Sujetador del travesaño
52	873 68 05-00	Tuerca 5/16-18	233	532 19 65-39	Perno
58	532 41 22-86	Barra de Tracción	234	532 40 47-42	Cubierta Capota
68	817 49 05-08	Tornillo 5/16-18 x 1/2	235	532 40 61-29	Separador del guardabarros
130	532 41 63-58	Tornillo #10 x 0.750	236	873 93 05-00	Tuerca 5/16-18 unc
137	532 40 75-90	Cubierta tablero	282	532 41 41-10	Cierre
150	532 43 97-74	Cubierta térmica del conducto	283	532 43 98-61	Ensamble de la consola de la Plataforma de elevación
151	532 43 66-70	Soporte	284	532 43 98-23	Ensamble de la consola
152	532 43 98-70	Protector contra oscurecimiento	285	532 41 63-15	Parrilla consola (LD)
159	817 00 06-12	Tornillo 3/8-16 x 3/4	286	532 41 63-17	Parrilla consola (LI)
161	532 43 97-81	Ventana	287	817 60 04-06	Tornillo 1/4-20 x 3/8
162	532 14 24-32	Tornillo	297	532 43 74-56	Parrilla reflector (LI)
165	532 19 68-26	Soporte	335	532 44 82-04	Cubierta (LD)
175	532 19 63-04	Travesaño	336	532 44 53-09	Cubierta (LI)
176	532 40 07-76	Tornillo 10-24 x 5/8	350	532 44 51-43	Clip del árbol de navidad
177	532 19 52-27	Buje de dirección			
178	532 19 97-82	Carga la asamblea neta			
180	532 41 50-63	Chasis			
182	532 40 68-59	Tablero inferior			
183	874 52 05-20	Perno 5/16-18 x 1-1/4			
189	817 00 05-12	Tornillo 5/16-18 x 3/4			
191	532 43 74-55	Parrilla reflector ld			
194	873 90 05-00	Tuerca 5/16-18			
195	532 40 41-37	Tapón			
202	532 43 97-28	Salida de ventilación (LD)			
203	532 43 97-27	Salida de ventilación (LI)			
204	532 43 57-14	Salida de ventilación superior			

**NOTA:** Las dimensiones de todos los componentes están expresadas en pulgadas americanas. 1 pulgada = 25,4 mm

**TRACTOR - - MODELO NO. YT54LS (96043017001), PRODUCTO NO. 960 43 01-70**  
**TRANSMISIÓN**



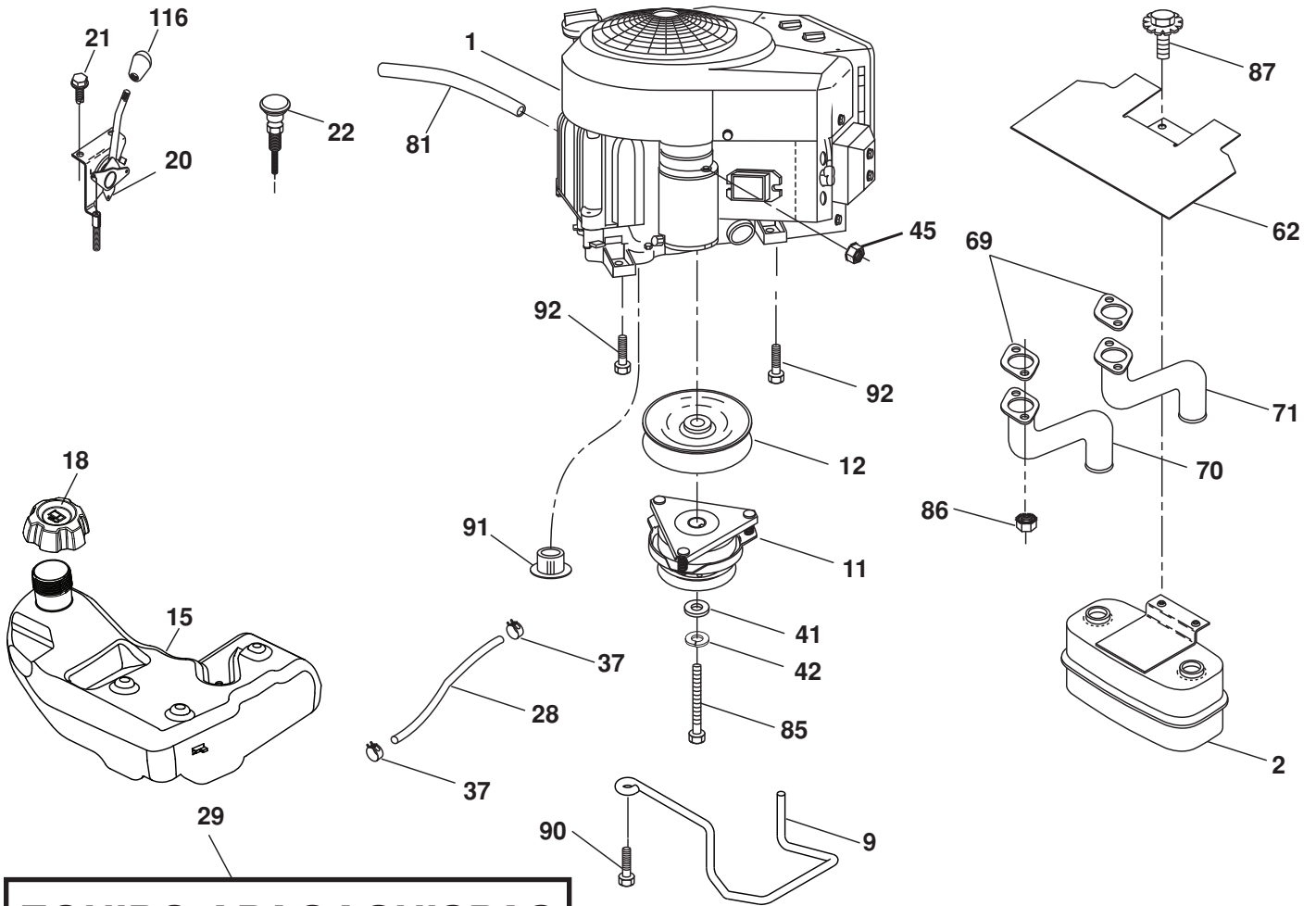


# TRACTOR - - MODELO NO. YT54LS (96043017001), PRODUCTO NO. 960 43 01-70 TRANSMISIÓN

CÓDIGO No.	PIEZA No.	DESCRIPCIÓN	CÓDIGO No.	PIEZA No.	DESCRIPCIÓN
1	---	Transeje, TUFFTORQ K46CR (426121) (Piezas internas no disponible.)	187	819 13 32-10	Arandela
2	532 12 35-83	Cuña	188	532 19 43-23	Mecanismo de desplazamiento de la varilla de mando del embrague
15	819 13 13-16	Arandela 13/32 x 13/16 x calibre 16	189	532 19 43-17	Palanca acodada del mecanismo de desplazamiento
17	532 41 36-78	Resorte de freno	190	532 19 43-18	Sujetador de la palanca acodada del mecanismo de desplazamiento
26	532 19 96-79	Crucero con retorno de muelle	196	817 00 06-16	Tornillo 3/8-16 x 1
29	532 40 38-06	Varilla del freno	197	532 19 58-04	Soporte
33	812 00 00-01	Aro e	205	532 12 17-48	Arandela
35	583 86 45-01	Varilla del freno de mano	206	532 44 85-96	Soporte
42	532 12 48-72	Cubierta del pedal	207	532 19 78-68	Bloqueo del control del crucero
49	872 11 06-14	Perno	208	532 19 78-69	Engranaje del sector de control del crucero
50	532 19 43-27	Polea loca plana	209	532 19 95-92	Varilla de control del crucero
51	873 90 06-00	Tuerca 3/8-16	210	532 40 09-80	Ensamble del balancín del control del pedal
52	532 19 43-26	Polea loca con ranura en v con un desplazamiento	211	532 12 01-83	Rodamiento de nylon
56	532 13 09-69	Correa trapezoidal de la transmisión	213	532 40 31-19	Perilla de control del crucero
64	532 19 78-65	Ensamble del eje control del pedal de freno	214	532 41 68-63	Forro del pedal para avanzar
73	874 49 05-40	Perno 5/16-18 x 2.1/2 G5	215	532 40 17-23	Forro del pedal para retroceder
80	532 44 06-19	Soporte de la correa de torsión	216	532 19 61-31	Soporte
92	874 76 05-20	Perno 5/16-18 unc x 1.25	221	532 40 31-87	Abrazadera de retención del resorte de la manija
99	532 41 57-42	Varilla	222	879 21 20-10	Arandela 21/32 x 1-1/4 x calibre 10
116	873 90 05-00	Tuerca 5/16-18	225	532 40 33-19	Ensamble del sujetador de la correa del motor
125	817 00 05-12	Tornillo 5/16-18 x 3/4	226	532 40 15-64	Soporte
143	817 49 05-08	Tornillo 5/16-18 x 1/2	227	817 49 05-12	Tornillo 5/16-18 x 3/4
153	532 12 47-88	Retén del resorte	230	532 18 89-67	Arandela
159	876 02 04-12	Pasador de chaveta de 1/8 x 3/4	231	532 40 72-87	Polea Loca con Ranura
160	532 16 94-84	Abrazadera de retención	284	532 41 76-93	Tuerca
161	532 10 57-09	Resorte de retorno del embrague	307	874 18 04-12	Tornillo 1/4-20 x 3/4
163	532 44 82-75	Varilla de control del pedal			
166	532 42 91-64	Tuerca			
167	532 40 52-57	Pestillo del freno de mano			
170	532 41 34-30	Sujetador de la correa central			
183	532 13 70-57	Espaciador			
184	532 44 14-55	Manija del freno de mano			
185	872 11 06-22	Perno 3/8-16 x 2-3/4 gr. 5			
186	532 19 43-21	Espaciador de retención			

**NOTA:** Las dimensiones de todos los componentes están expresadas en pulgadas americanas. 1 pulgada = 25,4 mm

TRACTOR - - MODELO NO. YT54LS (96043017001), PRODUCTO NO. 960 43 01-70  
MOTOR



**EQUIPO APAGACHISPAS**

engine-tex\_Kawa-2cyl\_5\_r1

**TRACTOR - - MODELO NO. YT54LS (96043017001), PRODUCTO NO. 960 43 01-70  
MOTOR**

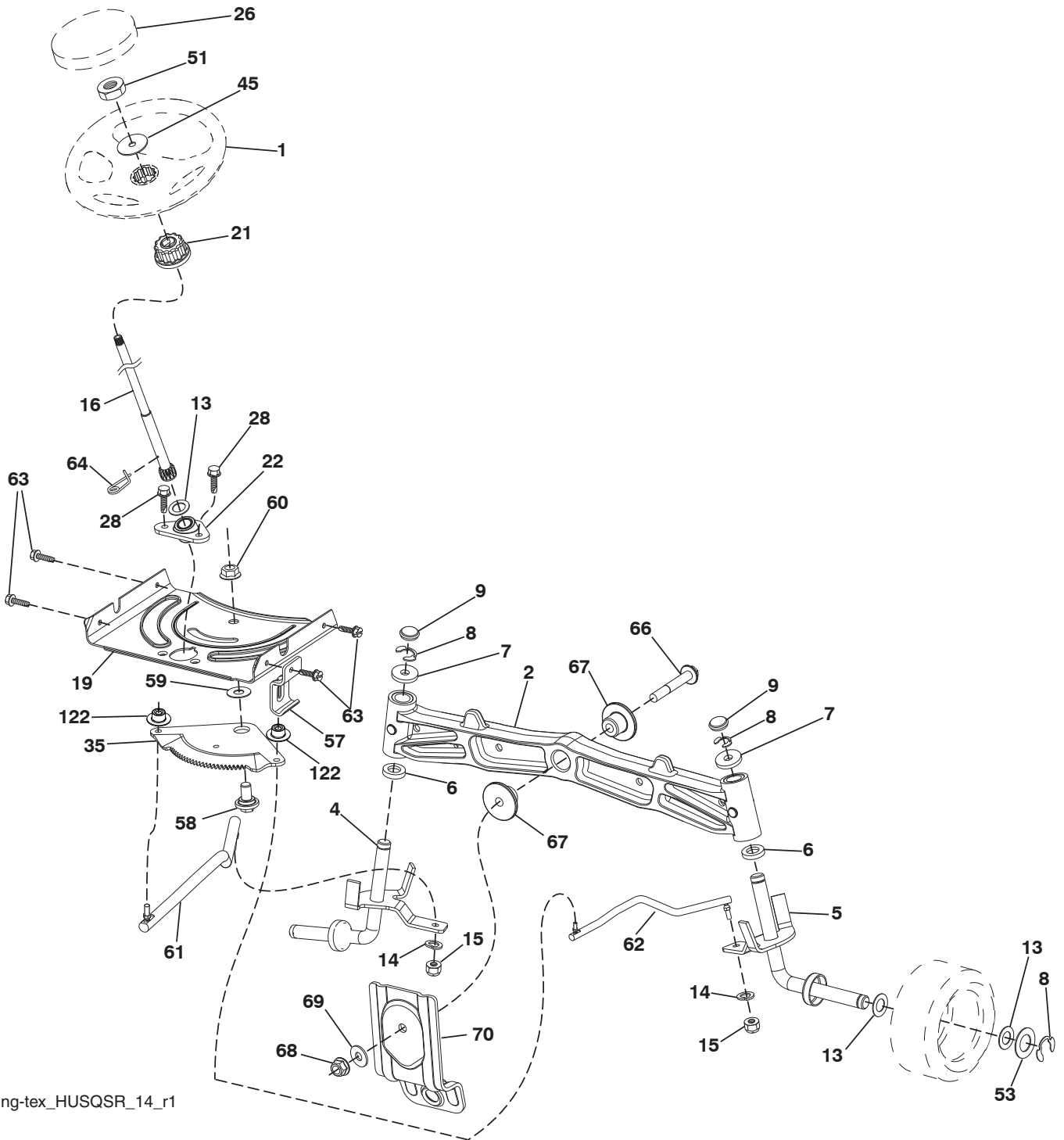
<b>CÓDIGO No.</b>	<b>PIEZA No.</b>	<b>DESCRIPCIÓN</b>
1	— — — — —	Motor Kawa modelo No. FR691-DS15 (581557501) (Haga el pedido de las piezas al fabricante del motor.)
2	532 44 59-62	Silenciador
9	584 90 80-01	Ensamble del sujetador de la correa del motor
11	532 40 00-08	Embrague
12	532 40 50-97	Polea del motor
15	532 43 80-80	Tanque de combustible
18	532 43 92-08	Ensamble de la tapa
20	532 42 43-41	Control del regulador
21	532 41 63-58	Tornillo #10 x .750
22	532 18 95-41	Control del obturador
28	532 40 11-35	Línea de combustible
29	532 13 71-80	Equipo apagachispas
37	532 12 34-87	Abrazadera de la manguera
41	532 12 61-97	Arandela 1-1/2 OD x 15/32 ID x .250
42	810 04 07-00	Arandela 7/16
45	873 51 04-00	Tuerca 1/4-20 unc
62	532 43 40-17	Silenciador con pantalla térmica
69	532 17 81-51	Junta
70	583 95 56-01	Tubo de escape izquierdo
71	583 95 57-01	Tubo de escape derecho
81	532 14 84-56	Tubo de drenaje del aceite
85	532 17 39-37	Perno 7/16-20 x 4 x Gr. 5-1.5 Thr
86	532 18 43-62	Tuerca MS-1.25
87	537 17 18-77	Perno 5/16-18 unc x 3/4 w/Sems
90	817 00 06-16	Tornillo 3/8-16 x 1
91	532 18 74-95	Buje
92	817 12 06-16	Tornillo 3/8-16 x 1
116	539 13 26-24	Perilla

**NOTA:** Las dimensiones de todos los componentes están expresadas en pulgadas americanas. 1 pulgada = 25,4 mm

Para realizar el mantenimiento del motor y para obtener repuestos, llame al número gratuito del fabricante de su motor que se enumera a continuación:

Kawasaki 1-949-460-5688

TRACTOR - - MODELO NO. YT54LS (96043017001), PRODUCTO NO. 960 43 01-70  
ENSAMBLE DE LA DIRECCIÓN



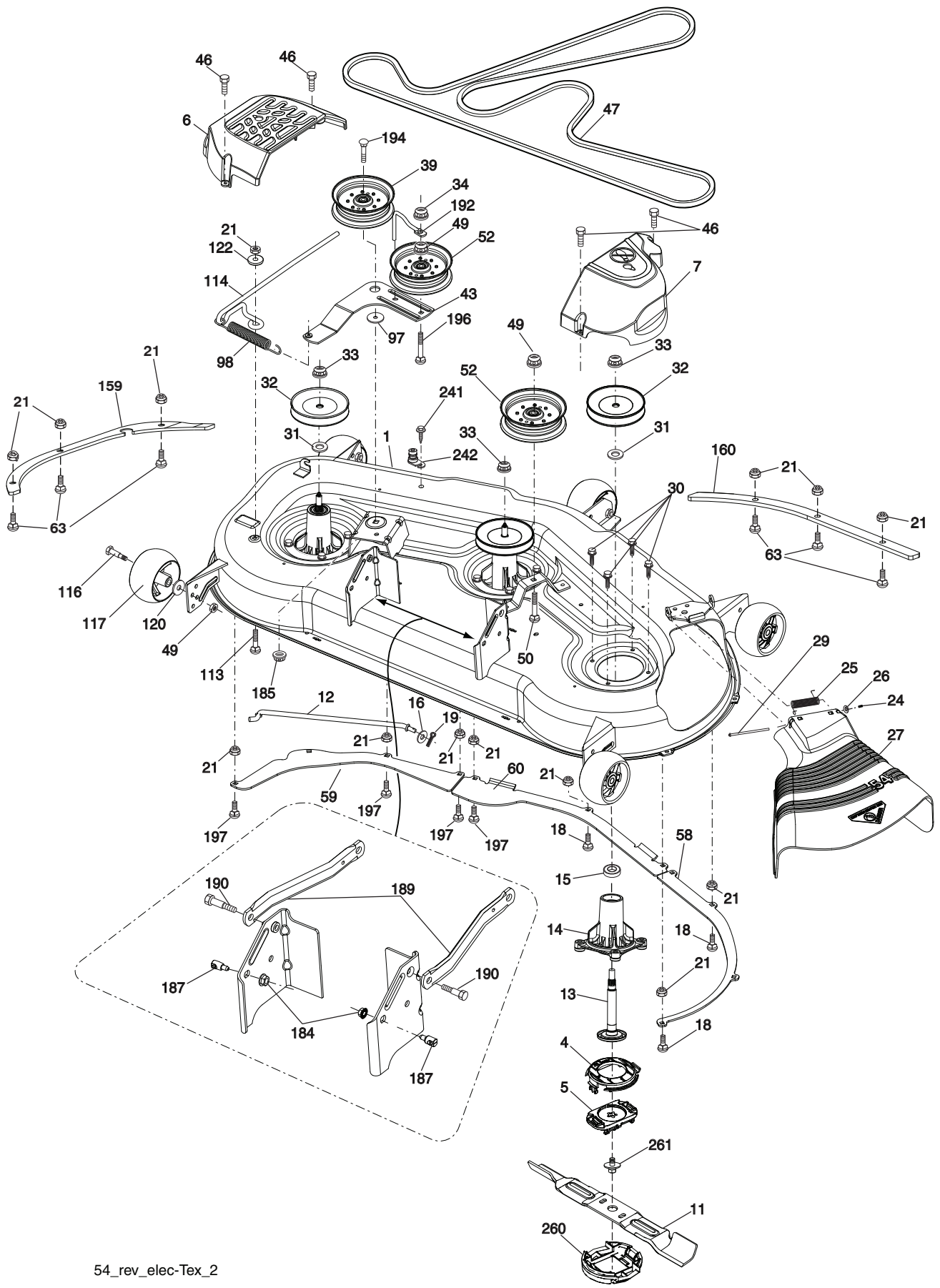
steering-tex\_HUSQSR\_14\_r1

**TRACTOR - - MODELO NO. YT54LS (96043017001), PRODUCTO NO. 960 43 01-70  
ENSAMBLE DE LA DIRECCIÓN**

CÓDIGO PIEZA		DESCRIPCIÓN
No.	No.	
1	532 43 97-40	Volante de dirección
2	532 19 59-68	Ensamble del eje delantero
4	532 40 30-87	Ensamble del husillo izquierdo
5	532 40 30-88	Ensamble del husillo derecho
6	532 12 49-31	Beju
7	532 12 17-48	Arandela 25/32 x 1-5/8 x calibre 16
8	812 00 00-29	Abrazadera del aro No. T5304-75
9	532 12 12-32	Tapa del husillo
13	532 12 17-49	Arandela 25/32 x 1-1/4 x calibre 16
14	810 04 06-00	Arandela 3/8
15	873 54 06-00	Tuerca 3/8-24 unf
16	532 40 82-19	Eje de dirección
19	532 19 47-29	Placa de dirección
21	532 18 67-37	Adaptador del volante de dirección
22	532 42 05-37	Soporte
26	532 43 97-43	Inserto del volante de dirección
28	817 00 06-12	Tornillo 3/8-16 x 3/4
35	532 19 47-32	Engranaje del sector de la placa
45	819 18 38-12	Arandela 9/16 ID x 2-3/8 OD calibre 12
51	873 94 08-00	Tuerca 1/2-20 unf
53	532 18 89-67	Arandela .793 x 1.637 x .060
57	532 19 72-46	Soporte
58	532 19 47-47	Perno
59	532 19 47-48	Arandela
60	873 97 10-00	Tuerca 5/8-11
61	532 19 47-40	Barra de acoplamiento izquierda
62	532 19 47-41	Barra de acoplamiento derecha
63	817 00 05-12	Tornillo 5/16-18 x 3/4
64	532 19 98-49	Abrazadera de retención del resorte de la dirección
66	871 02 07-48	Perno 7/16-14 x 3 Serr
67	532 19 47-37	Beju
68	873 90 07-00	Tuerca 7/16-14 Gr. 5
69	532 19 91-62	Arandela 1.5 x .505 x .118
70	532 19 61-97	Soporte de la plataforma delantera
122	532 44 49-62	Tapas

**NOTA:** Las dimensiones de todos los componentes están expresadas en pulgadas americanas. 1 pulgada = 25,4 mm

**TRACTOR - - MODELO NO. YT54LS (96043017001), PRODUCTO NO. 960 43 01-70  
 PLATAFORMA DE LA CORTADORA DE CÉSPED**



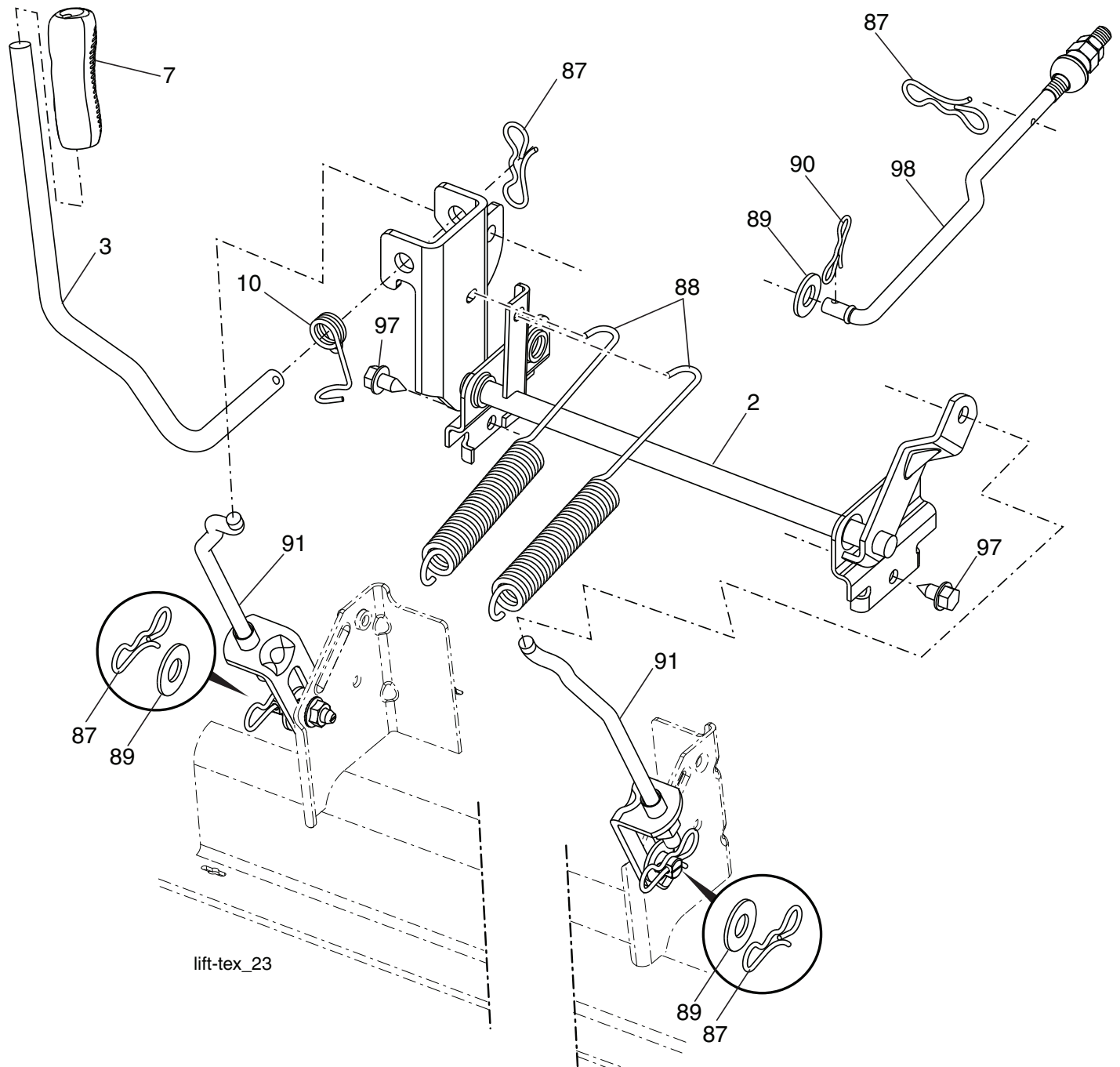
54\_rev\_elec-TEX\_2

**TRACTOR - - MODELO NO. YT54LS (96043017001), PRODUCTO NO. 960 43 01-70  
PLATAFORMA DE LA CORTADORA DE CÉSPED**

CÓDIGO PIEZA			CÓDIGO PIEZA		
No.	No.	DESCRIPCIÓN	No.	No.	DESCRIPCIÓN
1	532 44 18-47	Conjunto segador	113	872 11 05-08	Perno 5/16-18 unc x 1
4	584 30 66-01	Tapa superior	114	532 18 75-56	Varilla
5	580 95 40-02	Soporte de la cuchilla	116	532 19 34-06	Perno con Resalto
6	532 19 60-66	Cubierta izquierda del mandril (LI)	117	532 17 48-73	Rueda Calibradora
7	532 19 71-81	Cubierta izquierda del mandril (LD)	120	819 13 20-12	Arandela, 13/32 x 1-1/4 x 12 Ga.
11	581 10 11-01	Cuchilla	122	532 18 75-57	Buje
12	532 40 48-51	Varilla	159	585 32 28-01	Placa de refuerzo lateral
13	580 86 21-01	Ensamble del eje	160	585 32 26-01	Placa de refuerzo frontal
14	581 20 43-01	Carcasa del mandril	184	873 90 05-00	Tuerca de Presión Hexagonal con Brida de 5/16-18
16	819 13 13-12	Arandela 3/8	185	873 90 07-00	Tuerca de Presión Hexagonal con Brida de 7/16-14 Gr. 5
15	532 11 04-85	Rodamiento de bolas del mandril	187	532 19 51-61	Sujetador del Travesaño
18	872 14 05-05	Perno de Acarreo 5/16-18 x 5/8	189	532 19 51-85	Brazo de la Suspensión
19	532 19 42-08	Pasador de Chaveta de 5/16	190	532 19 65-39	Perno con Resalto
21	873 68 05-00	Tuerca de Seguridad de Brida 5/16-18	192	532 19 84-68	Sujetador de la Correa
24	532 10 53-04	Tapa de la Manga	194	874 49 07-36	Perno de Cabeza Hexagonal de 7/16-24
25	532 17 81-02	Resorte de Torsión	196	872 14 06-20	Perno 3/8-16 x 2-1/2 Gr. 5
26	532 11 04-52	Tuerca	197	872 14 05-08	Perno 5/16-18 x 1
27	532 18 89-38	Protector del Deflector	241	532 15 29-27	Tornillo TT #10-32.5. 3/8
29	532 13 14-91	Varilla de Articulación	242	532 41 55-98	Puerto de lavado de la cubierta
30	532 17 39-84	Tornillo con Cabeza de Arandela	260	584 30 67-01	Tapa inferior
31	532 18 76-90	Arandela del Separador	261	584 30 93-01	Tornillo 7/16-20 x 1
32	532 15 35-35	Polea del Mandril	--	532 41 64-05	Accesorio del conexión
33	532 40 02-34	Tuerca de Presión Con Brida	--	580 86 26-01	Ensamble del Mandril (solo incluye la carcasa (#14), el ensamble del eje (#13) y el rodamiento (#15); no incluye la polea/tuerca/arandela ni los pernos/arandelas de la cuchilla)
34	873 68 06-00	Tuerca corona de presión de 3/8-16	--	581 77 04-01	Reemplazo de la cortadora de césped, completa
39	532 19 73-80	Polea Loca 4.50			
43	532 19 60-65	Brazo de la Polea			
46	532 13 77-29	Tornillo 1/4-20 x 5/8			
47	532 19 61-03	Correa			
49	873 90 06-00	Tuerca de Presión Hexagonal con Brida de 3/8-16			
50	872 11 06-16	Perno 3/8-16 x 2			
52	532 19 73-79	Polea loca primaria			
58	532 18 73-42	Torbellino de deflector (LI)			
59	532 18 73-44	Torbellino de deflector (LD)			
60	532 18 76-07	Torbellino de deflector			
63	872 11 05-10	Perno 5/16-18 x 1-1/4 grado 5			
97	532 17 85-15	Arandela			
98	532 19 61-05	Resorte			

**NOTA:** Las dimensiones de todos los componentes están expresadas en pulgadas americanas. 1 pulgada = 25,4 mm

**TRACTOR - - MODELO NO. YT54LS (96043017001), PRODUCTO NO. 960 43 01-70  
ELEVACIÓN DE LA CORTADORA DE CÉSPED**



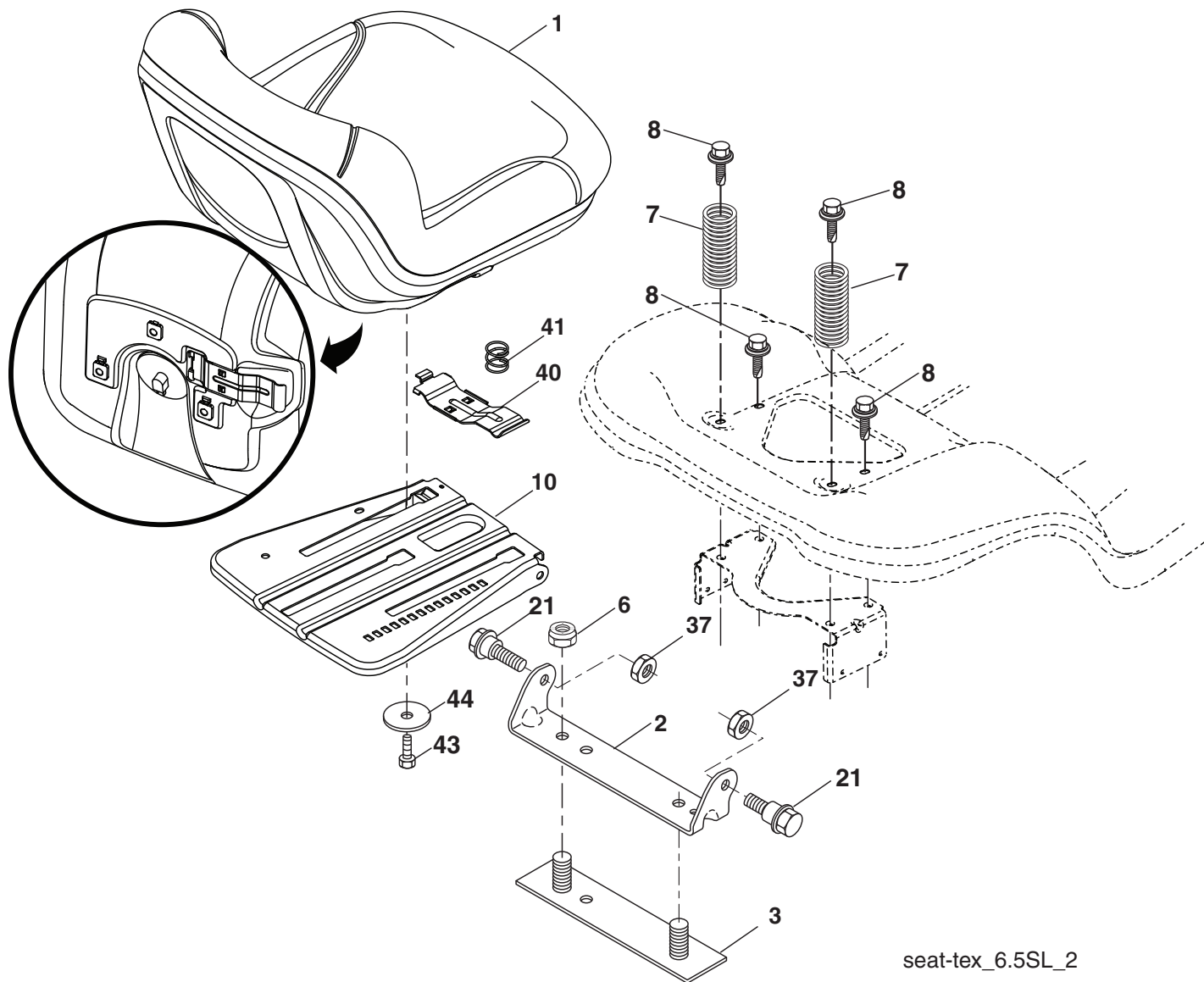
CÓDIGO No.	PIEZA No.	DESCRIPCIÓN
2	532 42 20-27	Ensamble del eje de la elevación
3	532 19 52-31	Ensamble de la palanca de elevación derecha
7	580 96 23-01	Mango de la palanca
10	532 19 63-14	Resorte de torsión
87	532 19 42-09	Pasador de chaveta de 7/16 con bloqueo en forma de mariposa
88	532 41 07-10	Resorte de ayuda de la elevación
89	819 19 19-12	Arandela de zinc transparente

CÓDIGO No.	PIEZA No.	DESCRIPCIÓN
90	532 19 42-08	Pasador de chaveta de 5/16 con bloqueo en forma de mariposa
91	532 40 34-07	Ensamble del acoplamiento Elevación trasera
97	817 00 06-12	Tornillo 3/8-16 x 3/4
98	532 19 52-64	Acoplamiento frontal de la elevación de la cortadora de césped

**NOTA:** Las dimensiones de todos los componentes están expresadas en pulgadas americanas. 1 pulgada = 25,4 mm



**TRACTOR - - MODELO NO. YT54LS (96043017001), PRODUCTO NO. 960 43 01-70  
ENSAMBLE DEL ASIENTO**



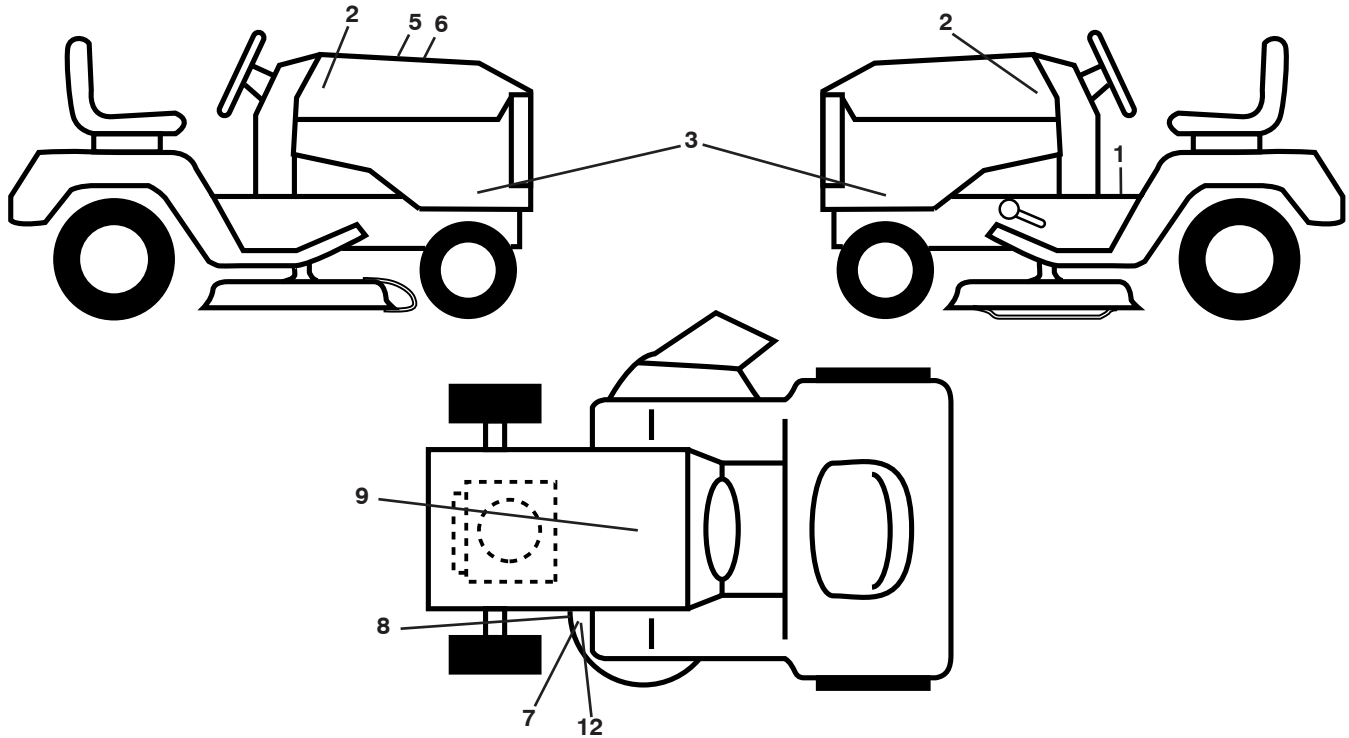
seat-tex\_6.5SL\_2

CÓDIGO PIEZA		DESCRIPCIÓN
No.	No.	
1	532 43 98-22	Asiento
2	532 18 01-66	Soporte pivotante del guardabarros
3	532 14 06-75	Conector del ensamble del guardabarros
6	873 80 06-00	Tuerca 3/8-16 unc
7	532 12 41-81	Resorte del asiento
8	532 17 18-77	Perno de 5/16" UNC x 3/4"
10	532 19 69-77	Bandeja del asiento
21	532 17 18-52	Perno de tope de 5/16-18

CÓDIGO PIEZA		DESCRIPCIÓN
No.	No.	
37	873 80 05-00	Tuerca 5/16-18 unc
40	532 43 98-71	Manija para deslizar el asiento
41	532 19 82-00	Resorte para trabar el asiento
43	874 76 06-12	Perno de cabeza hexagonal con aleta de 3/8-16 UNC x 3/4
44	819 13 38-12	Arandela 13/32 x 2-3/8 x calibre 12

**NOTA:** Las dimensiones de todos los componentes están expresadas en pulgadas americanas. 1 pulgada = 25,4 mm

**TRACTOR - - MODELO NO. YT54LS (96043017001), PRODUCTO NO. 960 43 01-70  
CALCOMANÍAS**



**CÓDIGO PIEZA  
No. No.**

**DESCRIPCIÓN**

1	581 57 89-01	Calcomanía, Precaución
2	581 62 73-01	Calcomanía para el insignia
3	581 61 95-01	Calcomanía para el panel lateral
5	532 42 38-29	Calcomanía del cliente
6	584 47 39-01	Calcomanía de reemplazo
7	581 57 95-01	Calcomanía Precaución Tondeuse
8	581 58 00-02	Calcomanía del diagrama de la cortadora de césped
9	532 14 50-05	Calcomanía de Peligro/Punto de interconexión

**CÓDIGO PIEZA  
No. No.**

**DESCRIPCIÓN**

12	581 72 45-02	Calcomanía Precaución Tondeuse
--	581 72 48-01	Calcomanía para la desviación
--	532 43 96-81	Forro del apoyo para los pies (LD)
--	532 43 96-82	Forro del apoyo para los pies (LI)
--	585 92 28-96	Manual del Operario (INGLÉS/ESPAÑOL)
--	585 92 29-27	Manual De Repuestos (INGLÉS/ESPAÑOL)

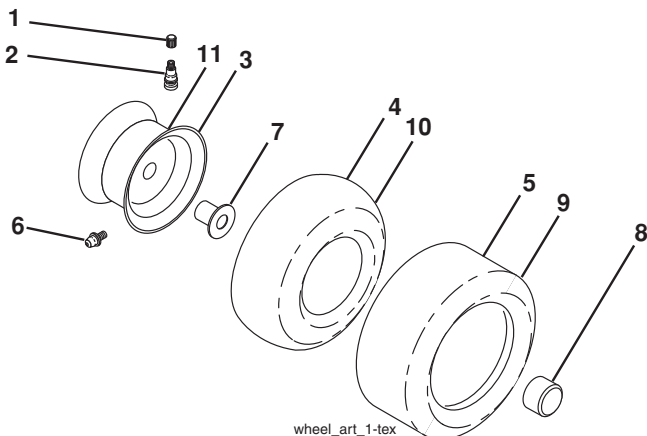
**RUEDAS Y NEUMÁTICOS**

**CÓDIGO PIEZA  
No. No.**

**DESCRIPCIÓN**

1	532 05 91-92	Tapa de la válvula del neumático
2	532 06 51-39	Vástago de la válvula
3	532 13 83-36	Ensamble de las llantas delanteras
4	532 05 99-04	Cámara delantera
5	532 10 62-22	Neumático delantero 15 x 6-6
6	532 12 49-57	Accesorio para engrasar (solo para la rueda delantera)
7	532 12 49-59	Rodamiento de la brida (solo para la rueda delantera)
8	532 17 50-39	Tapa del eje 1 50 x 1 00
9	532 13 84-68	Neumático trasero 20 x 8-8
10	532 12 49-26	Cámara trasera (Mantenimiento sólo)
11	532 13 83-37	Ensamble trasero de la llanta
--	532 14 43-34	Sellador para neumáticos (tubo de 10 onzas [283 gr])

**NOTA:** Las dimensiones de todos los componentes están expresadas en pulgadas americanas. 1 pulgada = 25,4 mm



wheel\_art\_1-tex

---

# NOTES/AVISO

---

**12/26/2013 BD**