

# Repair Parts Manual Manual De Repuestos

GT54LS / 96043017900

Please read the operator's manual carefully and make sure you understand the instructions before using the machine.

Por favor lea cuidadosamente y comprenda estas intrucciones antes de usar esta maquina.



English/Spanish

586 23 90-27 Rev. 1



# HOW TO USE THIS MANUAL

This manual is designed to provide the customer with a means to identify the parts on his/her tractor when ordering repair parts. The illustrations may or may not represent the actual assemblies; therefore, it is not recommended to use this manual as a guide to assemble or disassemble the tractor. Some hardware and parts are drawn larger in order to more readily identify them.

Each tractor has its own model number.

The model number for your tractor can be found on the fender under the seat.

When ordering parts, always give the following information:

- Product - "TRACTOR"
- MODEL NUMBER - "GT54LS" (96043017900)"
- Part Number
- Part Description

## TABLE OF CONTENTS

SCHEMATIC .....	3
ELECTRICAL.....	4-5
CHASSIS .....	6-7
DRIVE.....	8-9
ENGINE.....	10-11
STEERING .....	12-13
MOWER DECK.....	14-15
MOWER LIFT.....	16
SEAT .....	17
DECALS.....	18

## COMO UTILIZAR ESTE MANUAL

Este manual está diseñado para brindarle al comprador un medio para identificar las piezas del tractor para cuando necesite hacer el pedido de un repuesto. Las ilustraciones pueden o no representar los ensambles reales; por lo tanto, no se recomienda utilizar este manual como una guía para ensamblar o desarmar el tractor. Algunos accesorios y piezas están dibujados en tamaños más grandes para identificarlos con mayor facilidad.

Cada tractor tiene su propio número de modelo.

El número de modelo del tractor se encuentra en el guardabarros debajo del asiento.

Cuando haga el pedido de una pieza, siempre brinde la siguiente información:

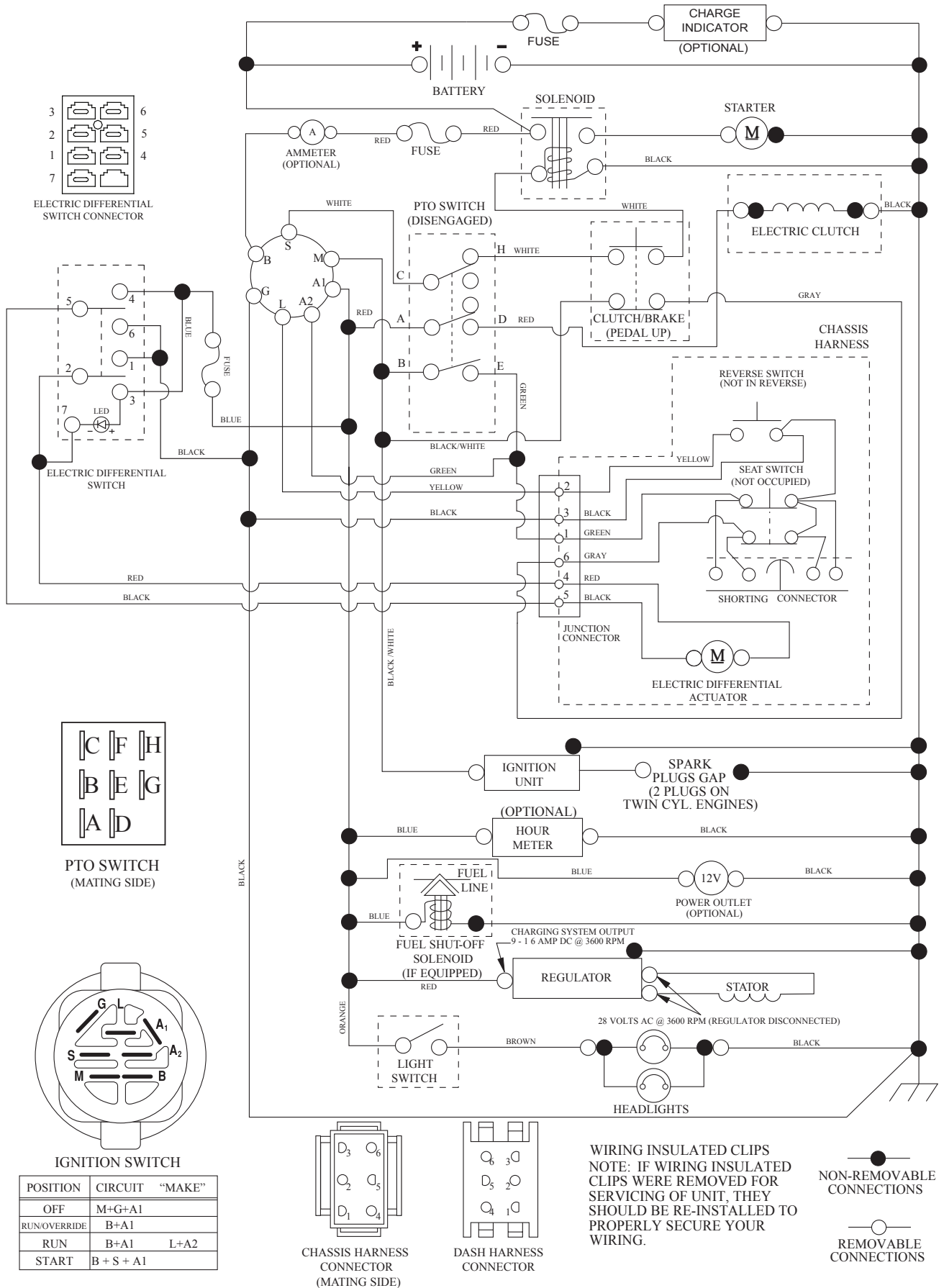
- Producto: "TRACTOR"
- NÚMERO DE MODELO: "GT54LS" (96043017900)"
- Número de pieza
- Descripción de la pieza

## ÍNDICE

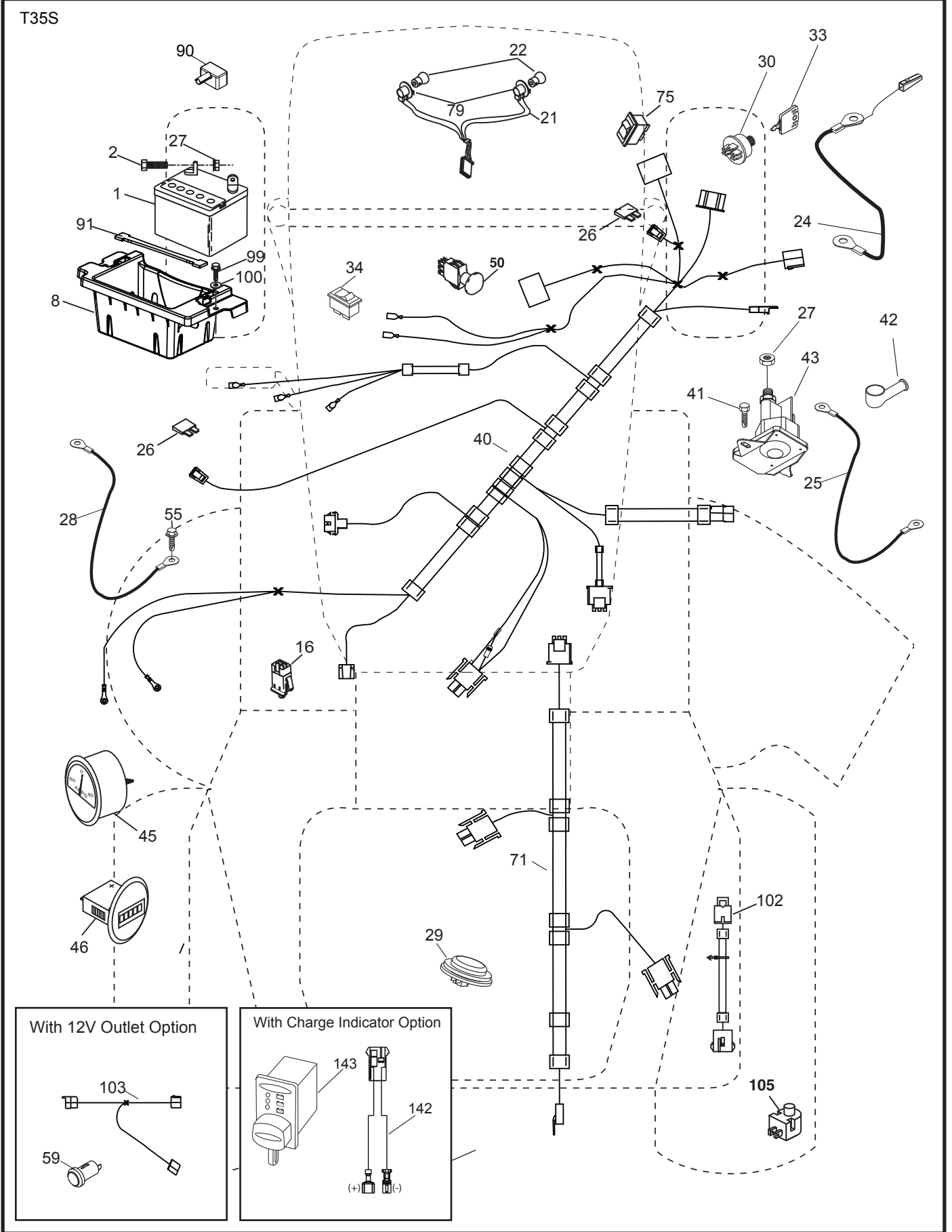
DIAGRAMA.....	19
DIAGRAMA ELÉCTRICO .....	20-21
CHASIS .....	22-23
TRANSMISIÓN .....	24-25
MOTOR .....	26-27
DIRECCIÓN .....	28-29
PLATAFORMA DE LA CORTADORA DE CÉSPED.....	30-31
ELEVACIÓN DE LA CORTADORA DE CÉSPED.....	32
ASIENTO.....	33
CALCOMANÍAS.....	34

# TRACTOR - MODEL NO. GT54LS (96043017900), PROD. NO. 960 43 01-79 SCHEMATIC

SCH27



**TRACTOR - MODEL NO. GT54LS (96043017900), PROD. NO. 960 43 01-79**  
**ELECTRICAL**

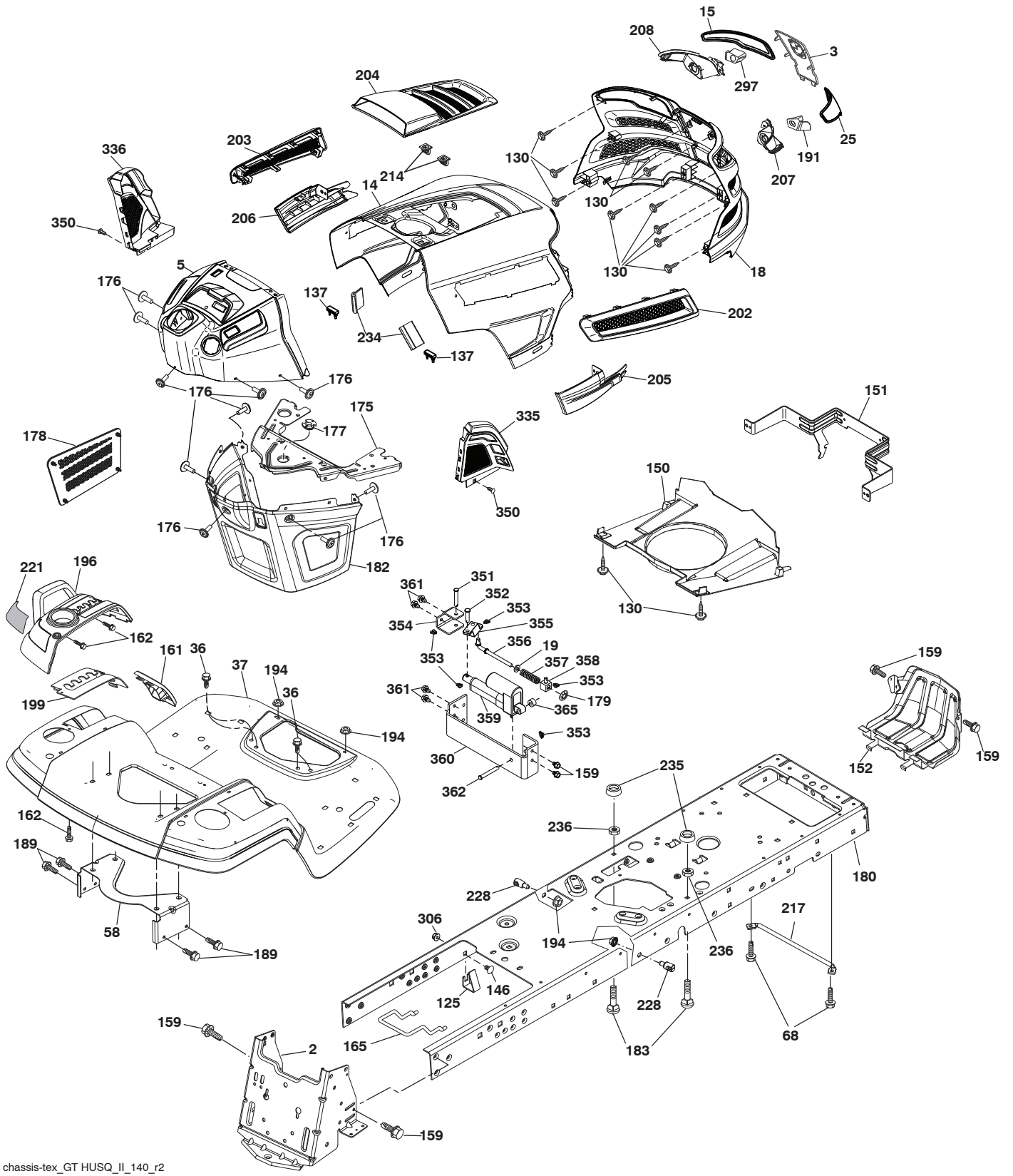


**TRACTOR - MODEL NO. GT54LS (96043017900), PROD. NO. 960 43 01-79  
ELECTRICAL**

<b>KEY NO.</b>	<b>PART NO.</b>	<b>DESCRIPTION</b>
1	532 16 34-65	Battery
2	874 76 04-12	Bolt Hex Head 1/4-20 x 3/4
8	532 18 64-91	Box Battery
16	532 17 61-38	Switch Interlock Push-In
21	532 40 02-52	Harness Socket Light w/4152J
22	532 00 41-52	Bulb Light
24	585 55 56-01	Cable Battery 8"
25	585 55 55-01	Cable Starter
26	532 17 51-58	Fuse
27	873 51 04-00	Nut Keps Hex 1/4-20 unc
28	532 41 65-88	Cable, Ground
29	532 40 15-45	Switch, Seat
30	532 19 33-50	Switch, Ign
33	532 41 19-33	Key/Chain
34	532 11 07-12	Switch Light / Reset
40	581 68 63-01	Harness Ign. Dash
41	817 72 04-08	Screw Thd Cut 1/4-20 x 1/2
42	532 13 15-63	Cover, Terminal
43	532 19 25-07	Solenoid
45	532 42 52-70	Ammeter Gauge Round Snap-In
46	532 42 52-71	Gauge Hrmtr
50	532 17 46-51	Switch PTO
55	817 06 05-12	Screw Thdrol 5/16-18 x 3/4 TYTT
59	532 40 03-03	Outlet 12-Volt
71	580 51 30-01	Harness Ign. Chassis
75	580 36 64-01	Switch On/On DPDT
79	532 17 52-42	Socket Asm Bulb Twistlock
90	532 43 53-95	Cover Terminal
91	532 19 02-70	Strap Battery Mount Front
99	817 67 04-12	Screw Hexwsh Thdrol 1/4-20 x 3/4
100	819 09 14-16	Washer 9/32 x 7/8 x 16 Ga.
102	532 40 44-54	Harness Pigtail K46 Tex ROS
103	532 42 17-47	Harness 12-Volt Pigtail
105	532 40 75-68	Switch Reverse
142	583 85 78-01	Harness Charge Port
143	532 44 80-59	Charge Port

**NOTE:** All component dimensions given in U.S. inches  
1 inch = 25.4 mm

# TRACTOR - MODEL NO. GT54LS (96043017900), PROD. NO. 960 43 01-79 CHASSIS



chassis-tex\_GT HUSQ\_II\_140\_r2

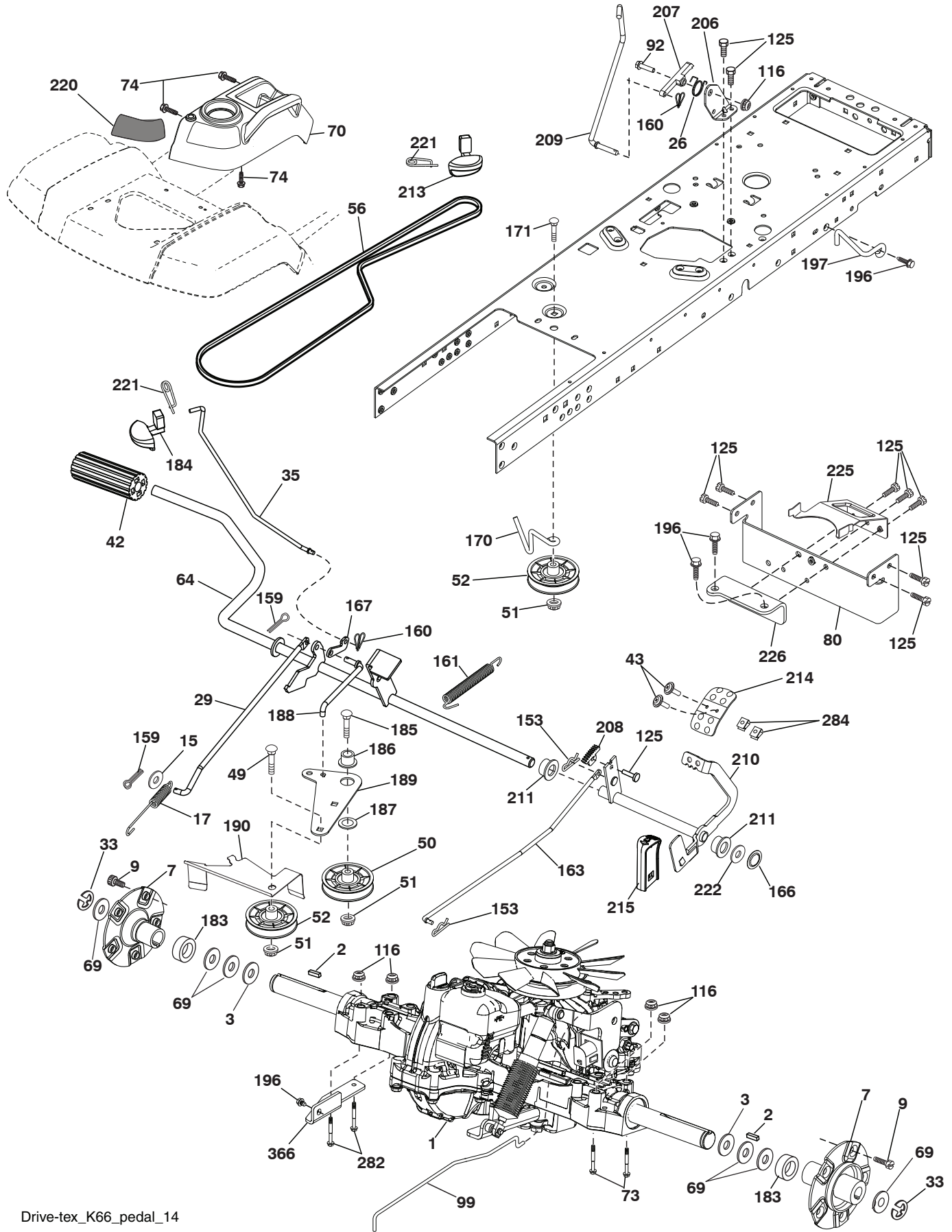
**TRACTOR - MODEL NO. GT54LS (96043017900), PROD. NO. 960 43 01-79  
CHASSIS**

KEY NO.	PART NO.	DESCRIPTION
2	580 43 44-01	Drawbar
3	532 44 44-81	Applique Husq.
5	581 67 42-01	Dash
14	532 44 11-77	Hood
15	532 43 97-33	Lens LH
18	532 44 06-53	Grille
19	819 13 13-12	Washer 13/32 x 13/16 x 12 Ga.
25	532 44 33-85	Lens RH
36	817 06 05-12	Screw 5/16-18 x 3/4
37	532 44 12-08	Fender
58	532 19 43-14	Bracket Fender
68	817 49 05-08	Screw 5/16-18 x 1/2
125	581 68 48-01	Clip Fuel Line
130	532 41 63-58	Screw #10 x 0.750 BOS Thread
137	532 40 75-90	Bumper Dash
146	581 85 79-01	Bolt
150	532 43 97-74	Duct Heat Hood
151	532 43 66-70	Bracket Pivot Hood
152	532 43 98-70	Shield Browning
159	817 00 06-12	Screw 3/8-16 x 3/4
161	532 43 99-29	Console Fuel Window
162	532 14 24-32	Screw Hex Wsh Hi-Lo 1/4 x 1/2
165	532 19 43-30	Bracket Support Tank
175	532 19 63-04	Crossmember
176	532 40 07-76	Screw 10-24 x 5/8 Wshd Qdrx
177	532 19 52-27	Bushing Steering
178	532 19 97-82	Cargo Asm. Net
179	532 16 89-37	Nut Push
180	532 44 55-59	Chassis
182	532 40 68-59	Dash Lower
183	874 52 05-20	Bolt 5/16-18 x 1-1/4
189	817 00 05-12	Screw 5/16-18 x 3/4
191	532 43 74-55	Insert Reflect. RH
194	873 90 05-00	Nut Lock Hex Flange 5/16-18
196	532 43 96-74	Console Asm. Deck Lift
199	532 19 82-59	Plate Deck Lift
202	532 43 97-28	Vent Side Hood RH

KEY NO.	PART NO.	DESCRIPTION
203	532 43 97-27	Vent Side Hood LH
204	532 43 57-14	Vent Asm Hood Top
205	532 43 97-30	Trim Hood Side RH
206	532 43 97-29	Trim Hood Side LH
207	532 43 97-34	Bezel RH
208	532 43 97-35	Bezel LH
214	532 19 91-45	Clip Retainer
217	532 40 91-67	Rod Pivot
221	532 19 89-09	Reflector LH
228	532 19 51-61	Stud Fastener
234	532 40 47-42	Bumper Hood
235	532 40 61-29	Spacer Fender
236	873 93 05-00	Nut Center Lock 5/16-18 unc
297	532 43 74-56	Insert Reflect. LH
306	873 90 06-00	Nut Lock
335	532 44 82-04	Cover RH Lower
336	532 44 53-09	Cover LH Lower
350	532 44 51-43	Clip X-mas Tree
351	532 42 17-34	Pin Clevis .375 x 2.125
352	532 44 86-34	Clevis .375 x 2.125
353	532 17 80-62	Clip Retainer .0375
354	532 44 86-19	Support Bellcrank
355	532 44 86-36	Bellcrank Pivot Lock Diff
356	532 44 86-93	Link Lock Diff
357	532 44 86-84	Spring Compression
358	580 36 66-01	Swivel Guide
359	584 39 34-01	Actuator Electric
360	532 44 86-18	Bracket Actuator
361	817 49 06-10	Screw Hxwsh Thdr 3/8-16 x 5/8
362	532 44 86-33	Clevis .375 x 2.42
365	532 44 73-68	Nylon Spacer .375 x .4375L
--	532 43 18-82	Kit Guard Brush

**NOTE:** All component dimensions given in U.S. inches  
1 inch = 25.4 mm

**TRACTOR - MODEL NO. GT54LS (96043017900), PROD. NO. 960 43 01-79  
DRIVE**



Drive-tex\_K66\_pedal\_14



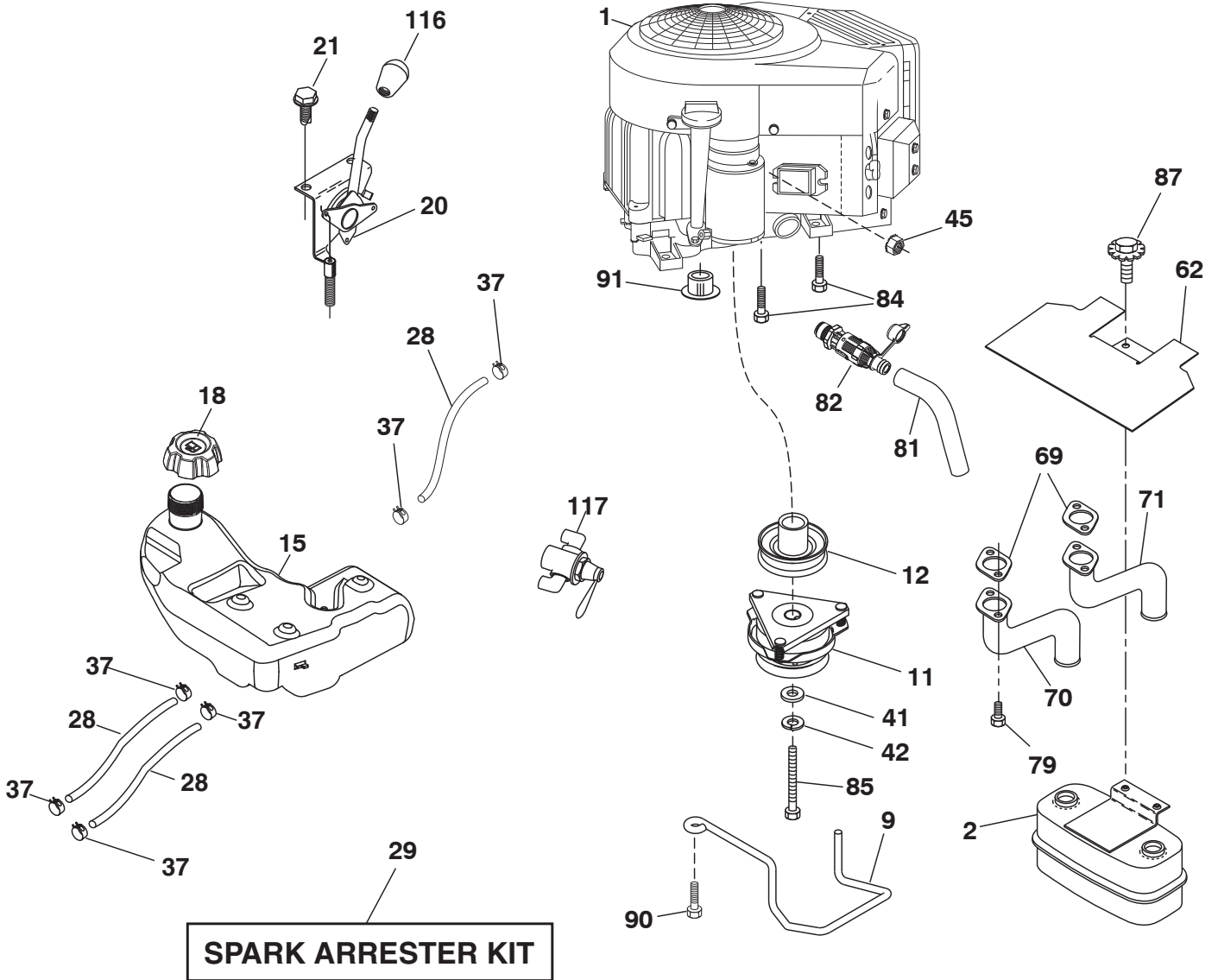
# TRACTOR - MODEL NO. GT54LS (96043017900), PROD. NO. 960 43 01-79 DRIVE

KEY NO.	PART NO.	DESCRIPTION
1	---	Transaxle, Tufftorq K66ELD (580402201)(Order parts from transaxle manufacturer.)
2	532 00 70-70	Key 1/4 x 2.5
3	532 00 75-63	Washer Thrust Axle Hardened
7	532 19 98-37	Hub Asm. Wheel
9	532 14 00-80	Bolt Hub Wheel
15	819 13 13-16	Washer 13/32 x 13/16 x 16 Ga.
17	532 40 10-72	Spring, Brake
26	532 19 96-79	Spring Return Cruise
29	532 40 72-45	Rod, Brake
33	812 00 00-53	Ring E
35	583 86 45-01	Rod, Brake, Park
42	532 12 48-72	Cover, Foot Pedal
43	874 18 04-12	Screw Mach. CR. 1/4-20 x 3/4
49	872 11 06-14	Bolt
50	532 19 43-27	Pulley Idler Flat
51	873 90 06-00	Lock Nut 3/8-16
52	532 19 43-26	Idler V-Groove
56	532 12 59-07	V-Belt, Drive
64	532 19 78-65	Shaft Asm. Pedal Brake Control
69	532 12 38-00	Washer 1-1/32 x 1-5/8 x 16 Ga.
70	532 43 96-61	Console Asm
73	874 49 05-44	Bolt Hex Flghd 5/16-18 Gr. 5
74	532 14 24-32	Screw 1/4 x 1/2
80	583 97 07-01	Strap Torque
92	874 76 05-20	Bolt 5/16-18 x 1/2
99	532 41 57-44	Spring Bypass
116	873 90 05-00	Nut Lock Hex Flange 5/16-18
125	817 00 05-12	Screw 5/16-18 x 3/4
153	532 12 47-88	Retainer Spring
159	876 02 04-12	Pin Cotter 1/8 x 3/4
160	532 16 94-84	Retainer Clip
161	532 10 57-09	Spring, Return, Clutch
163	532 40 72-46	Rod Pedal Control

KEY NO.	PART NO.	DESCRIPTION
166	532 42 91-64	Nut Push .625
167	532 40 52-57	Latch Brake Parking
170	532 19 43-22	Keeper V-Idler Centerspan
171	872 11 06-16	Keeper V-Idler Centerspan
183	532 19 73-57	Spacer Axle
184	532 44 14-55	Handle Parking Brake
185	872 11 06-22	Bolt Rdhd 3/8-16 unc x 2-3/4 G5
186	532 19 43-21	Spacer Retainer
187	819 13 32-10	Washer
188	532 19 43-23	Link Clutch Ground Drive
189	532 19 43-17	Bellcrank Ground Drive
190	532 19 43-18	Keeper Bellcrank Ground Drive
196	817 00 06-16	Screw 3/8-16 x 1
197	532 19 97-69	Bracket Clutch Anti-Rotation
206	532 44 85-96	Bracket Mount Latch Cruise
207	532 19 78-68	Latch Control Cruise
208	532 19 78-69	Gear Sector Control Cruise
209	532 19 95-92	Rod Control Cruise
210	532 19 78-60	Rocker Asm. Pedal Control
211	532 12 01-83	Bearing Nylon
213	532 40 31-19	Knob Control Cruise
214	532 41 68-63	Pedal Forward
215	532 40 17-23	Pedal Reverse
220	532 19 89-08	Reflector RH
221	532 40 31-87	Retainer Spring Clip Handle
222	879 21 20-10	Washer 21/32 x 1-1/4 x 10 Ga.
225	532 40 73-11	Keeper Belt
226	532 40 71-09	Bracket Mount Torque
282	874 49 05-48	Bolt 5/16-18 x 3.0 G5
284	532 41 76-93	Nut U-Chnl. 1/4-20
366	580 62 62-01	Bracket Reinforcement

**NOTE:** All component dimensions given in U.S. inches  
1 inch = 25.4 mm

**TRACTOR - MODEL NO. GT54LS (96043017900), PROD. NO. 960 43 01-79  
ENGINE**



engine-tex\_bs-2cyl\_79

# TRACTOR - MODEL NO. GT54LS (96043017900), PROD. NO. 960 43 01-79 ENGINE

KEY NO.	PART NO.	DESCRIPTION
1	---	Engine B&S Model No. 44R877-0008-G1 (586005401) (Order parts from engine manufacturer.)
2	532 44 59-62	Muffler
9	584 90 80-01	Keeper Asm. Belt Engine
11	532 17 93-35	Clutch Electric
12	532 19 43-43	Pulley Engine
15	532 43 80-82	Tank Fuel 4R
18	532 43 92-08	Cap Asm
20	586 21 96-01	Control Throttle
21	532 41 63-58	Screw #10 x 0.750 BOS Thread
28	532 40 11-35	Fuel Line
29	532 13 71-80	Spark Arrester Kit
37	532 12 34-87	Clamp Hose
41	532 12 61-97	Washer 1-1/2 OD x 15/32 ID x .250
42	810 04 07-00	Washer Lock 7/16
45	873 51 04-00	Nut Keps Hex 1/4-20 unc
62	532 43 40-17	Shield Heat Muffler
69	532 16 53-91	Gasket
70	581 88 11-01	Tube Exhaust LH
71	581 88 10-01	Tube Exhaust RH
79	532 18 39-06	Screw Socket HD 5/16-18 x 1
81	532 14 84-56	Tube Drain Oil Easy
82	532 42 82-87	Valve Oil Drain
84	817 06 06-20	Screw 3/8-16 x 1-1/4
85	532 17 99-53	Bolt 7/16-20 x 3.75 Gr. 5
87	532 17 18-77	Bolt 5/16-18 unc x 3/4 w/Sems
90	817 00 06-16	Screw 3/8-16 x 1
91	532 18 74-95	Bushing
116	539 13 26-24	Knob Soft Touch
117	532 42 08-28	Valve Fuel Reserve

**NOTE:** All component dimensions given in U.S. inches  
1 inch = 25.4 mm

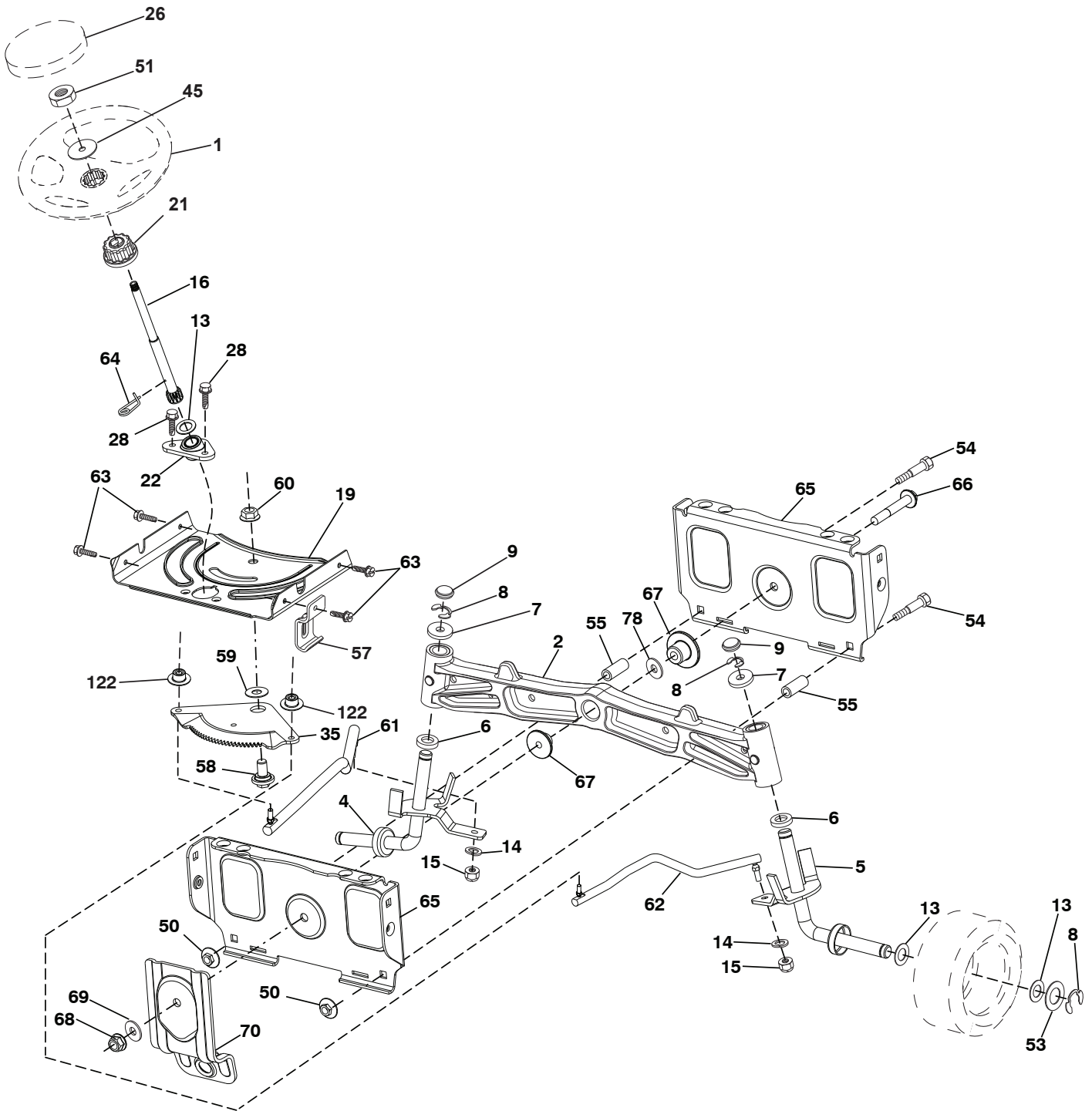
For engine service and replacement parts, call the toll free number for your engine manufacturer listed below:

Briggs & Stratton                    1-800-233-3723

## Engine Power Rating Information

The gross power rating for individual gas engine models is labeled in accordance with SAE (Society of Automotive Engineers) code J1940 (Small Engine Power & Torque Rating Procedure), and rating performance has been obtained and corrected in accordance with SAE J1995 (Revision 2002-05). Torque values are derived at 3060 RPM; horsepower values are derived at 3600 RPM. Actual gross engine power will be lower and is affected by, among other things, ambient operating conditions and engine-to-engine variability. Given both the wide array of products on which engines are placed and the variety of environmental issues applicable to operating the equipment, the gas engine will not develop the rated gross power when used in a given piece of power equipment (actual "on-site" or net power). This difference is due to a variety of factors including, but not limited to, accessories (air cleaner, exhaust, charging, cooling, carburetor, fuel pump, etc.), application limitations, ambient operating conditions (temperature, humidity, altitude), and engine-to-engine variability. Due to manufacturing and capacity limitations, Briggs & Stratton may substitute an engine of higher rated power for this Series engine.

**TRACTOR - MODEL NO. GT54LS (96043017900), PROD. NO. 960 43 01-79**  
**STEERING ASSEMBLY**



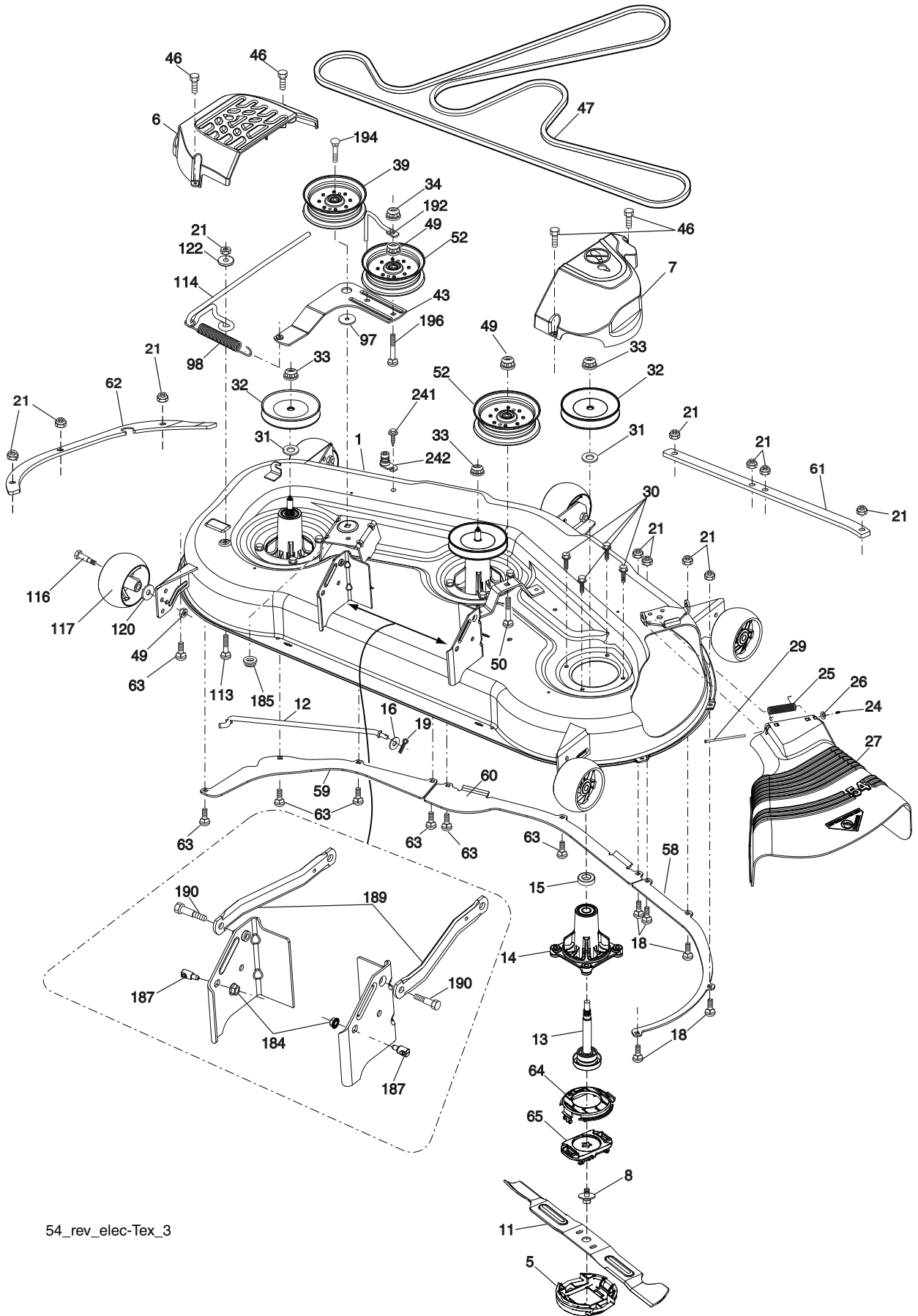
steerina-tex HUSQSR 37

**TRACTOR - MODEL NO. GT54LS (96043017900), PROD. NO. 960 43 01-79  
STEERING ASSEMBLY**

<b>KEY NO.</b>	<b>PART NO.</b>	<b>DESCRIPTION</b>
1	532 43 97-40	Wheel, Steering
2	532 19 59-68	Axle Asm., Front
4	532 40 30-89	Spindle Asm. LH
5	532 40 30-90	Spindle Asm. RH
6	532 12 49-31	Bearing, Race Thrust Harden
7	532 12 17-48	Washer 25/32 x 1-5/8 x 16 Ga.
8	812 00 00-29	Ring, Clip #T5304-75
9	532 12 12-32	Cap, Spindle
13	532 12 17-49	Washer 25/32 x 1-1/4 x 16 Ga.
14	810 04 06-00	Washer, Lock Hvy Hlcl Spr 3/8
15	873 54 06-00	Nut, Crown Lock 3/8-24 unf
16	532 40 82-19	Shaft Steering
19	532 19 47-29	Plate Steering
21	532 18 67-37	Adapter, Wheel Steering
22	532 42 05-37	Steering Support Lower
26	532 43 97-43	Insert, Wheel Steering
28	817 00 06-12	Screw 3/8-16 x 3/4
35	532 19 47-32	Gear, Sector Plate
45	819 18 38-12	Washer 9/16 x 2-3/8 x 12 Ga.
50	873 90 06-00	Nut Lock Flange 3/8-16 unc
51	873 94 08-00	Nut Hex Jam Toplock 1/2-20 unf
53	532 18 89-67	Washer Hardened .793 x 1.637 x .060
54	874 76 06-36	Bolt Hex 3/8-16 unc x 2-1/4
55	532 41 47-36	Spacer
57	532 19 72-46	Bracket Upstop
58	532 19 47-47	Bolt Shoulder Sector Pivot CFM
59	532 19 47-48	Washer Thrust Sector Steering
60	873 97 10-00	Nut Flange Lock 5/8-11
61	532 19 47-40	Draglink, LH
62	532 19 47-41	Draglink, RH
63	817 00 05-12	Screw 5/16-18 x 3/4
64	532 19 98-49	Retainer Clip Spring Steering
65	532 19 47-34	Brace Axle Front
66	871 02 07-48	Bolt Hex Fghd 7/16-14 x 3 Serr
67	532 19 47-37	Bushing PM Front Axle
68	873 90 07-00	Nut Lock Flange 7/16-14 Gr. 5
69	532 19 91-62	Washer 1.5 x .505 x .118
70	532 19 61-97	Bracket Deck Susp. Front
78	532 05 70-79	Washer Thrust
122	532 44 49-62	Cap Gear Sector

**NOTE:** All component dimensions given in U.S. inches  
1 inch = 25.4 mm

TRACTOR - MODEL NO. GT54LS (96043017900), PROD. NO. 960 43 01-79  
MOWER DECK



54\_rev\_elec-Tex\_3

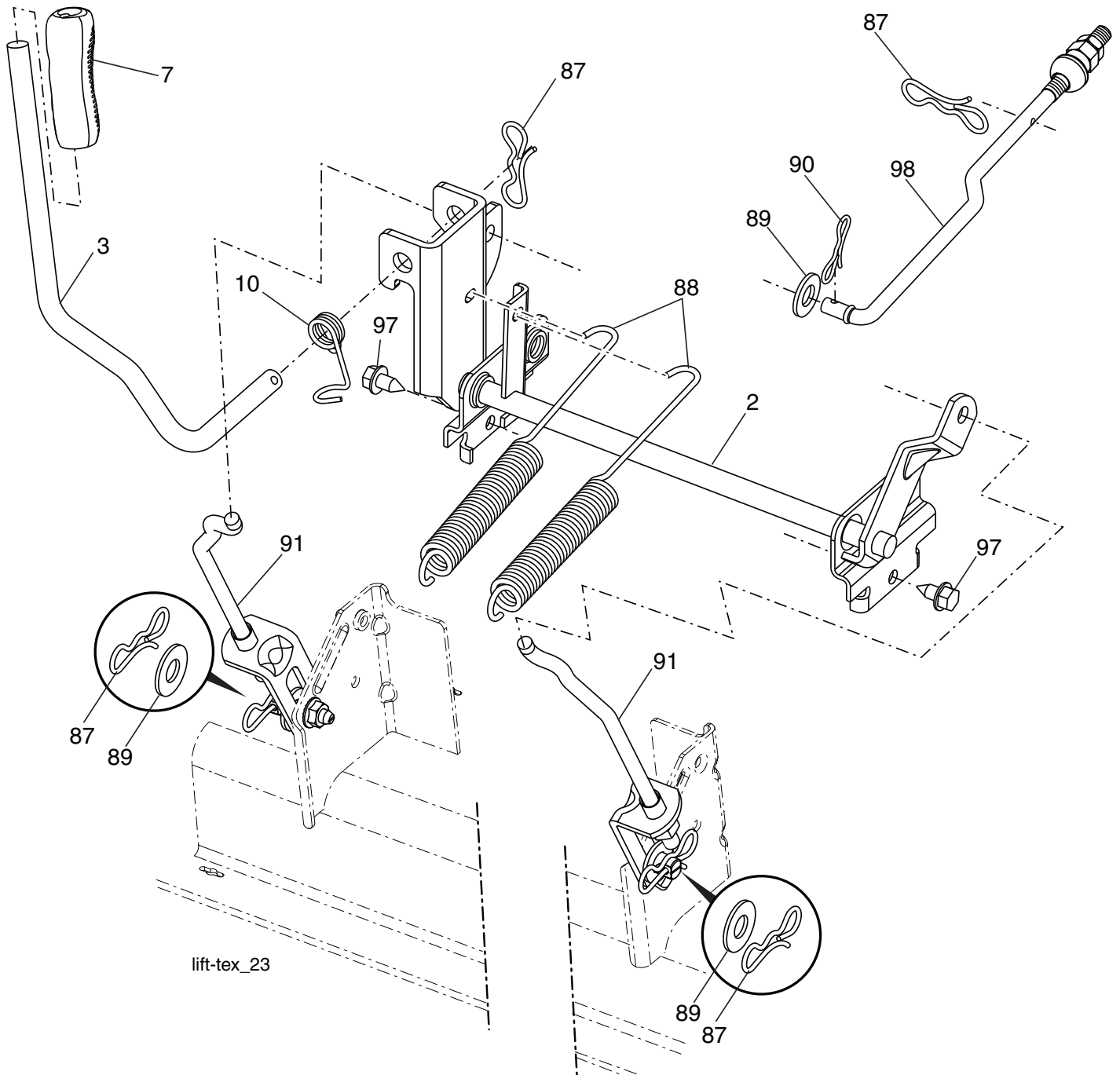
**TRACTOR - MODEL NO. GT54LS (96043017900), PROD. NO. 960 43 01-79  
MOWER DECK**

KEY NO.	PART NO.	DESCRIPTION	KEY NO.	PART NO.	DESCRIPTION
1	532 44 50-61	Deck Weldment Mower	62	585 32 28-05	Plate Reinforcement Side
5	580 95 40-02	Holder Blade Revolution	63	872 11 05-10	Bolt Carr. 5/16-18 x 1-1/4 Gr 5
6	532 19 60-66	Cover Mandrel LH	64	584 30 66-01	Cap Revolution Upper
7	532 19 71-81	Cover Mandrel RH	65	584 30 67-01	Cap Revolution Lower
8	584 30 93-01	Screw Sems 7/16-20 x 1 Hex Head	97	532 17 85-15	Washer Hardened
11	581 10 11-01	Blade Bagging	98	532 19 61-05	Spring Drive
12	532 40 03-37	Rod Anti Sway	113	872 11 05-08	Bolt Rdhd Sqnk 5/16-18 x 3/4
13	580 86 21-01	Shaft Asm. Rev. Tall	114	532 18 75-56	Rod Tension Relief
14	581 20 43-01	Housing Mandrel Rev. Tall	116	532 19 34-06	Bolt, Shoulder
15	532 11 04-85	Bearing, Ball, Mandrel	117	532 17 48-73	Gauge Wheel
16	819 13 13-12	Washer 3/8	120	819 13 20-12	Washer 13/32 x 1-1/4 x 12 Ga.
18	872 14 05-05	Bolt Carriage 5/16-18 x 5/8	122	532 18 75-57	Bushing Tension Relief
19	532 19 42-08	Pin Cotter 5/16 Bowtie	184	873 90 05-00	Nut Lock Hex Flange
21	873 68 05-00	Nut, Crownlock 5/16-18 unc	185	873 90 07-00	Nut Lock Flange 7/16-14 Gr. 5
24	532 10 53-04	Cap Sleeve	187	532 19 51-61	Stud Fastener w/"D" Anti-Rotation
25	532 17 81-02	Spring, Torsion	189	532 19 51-85	Arm Susp. Mower Rear
26	532 11 04-52	Nut, Push	190	532 19 65-39	Bolt Shoulder
27	532 18 89-38	Deflector Shield	192	532 19 84-68	Keeper Belt Idler
29	532 13 14-91	Rod, Hinge	194	874 49 07-36	Bolt Carr Sqnk 7/16-24 x 2
30	584 95 39-01	Bolt Hex Washer Head 3/8-18 x 1.19	196	872 14 06-20	Bolt Rdhd 3/8-16 x 2-1/2 Gr. 5
31	532 18 76-90	Washer, Spacer Mower Vented	241	532 15 29-27	Screw
32	532 15 35-35	Pulley, Mandrel	242	532 41 55-98	Washout Port
33	532 40 02-34	Nut, Flg. Top Lock	--	532 41 64-05	Coupling, Quick Connect
34	873 68 06-00	Nut Crownlock 3/8-16 unc	--	580 86 26-01	Mandrel Assembly - Tall (Includes housing(key #14), shaft assembly (key #13), and bearing (key #15) only - pulley/nut/washer and blade bolt/washers not included)
39	532 19 73-80	Pulley, Idler, Stationary LH	--	586 44 07-01	Replacement Mower, Complete
43	532 19 60-65	Arm, Idler			
46	532 13 77-29	Screw, Thdroll. 1/4-20 x 5/8			
47	532 19 61-03	Belt Deck Drive			
49	873 90 06-00	Nut, Lock Flg. 3/8-16 unc			
50	872 11 06-16	Bolt Rdhd Sqnk 3/8-16 unc x 2			
52	532 19 73-79	Pulley Idler			
58	532 18 73-42	Baffle Right			
59	532 18 73-44	Baffle Left			
60	532 18 76-07	Baffle Center			
61	585 32 26-05	Plate Reinforcement Front			

**NOTE:** All component dimensions given in U.S. inches  
1 inch = 25.4 mm



**TRACTOR - MODEL NO. GT54LS (96043017900), PROD. NO. 960 43 01-79  
MOWER LIFT**



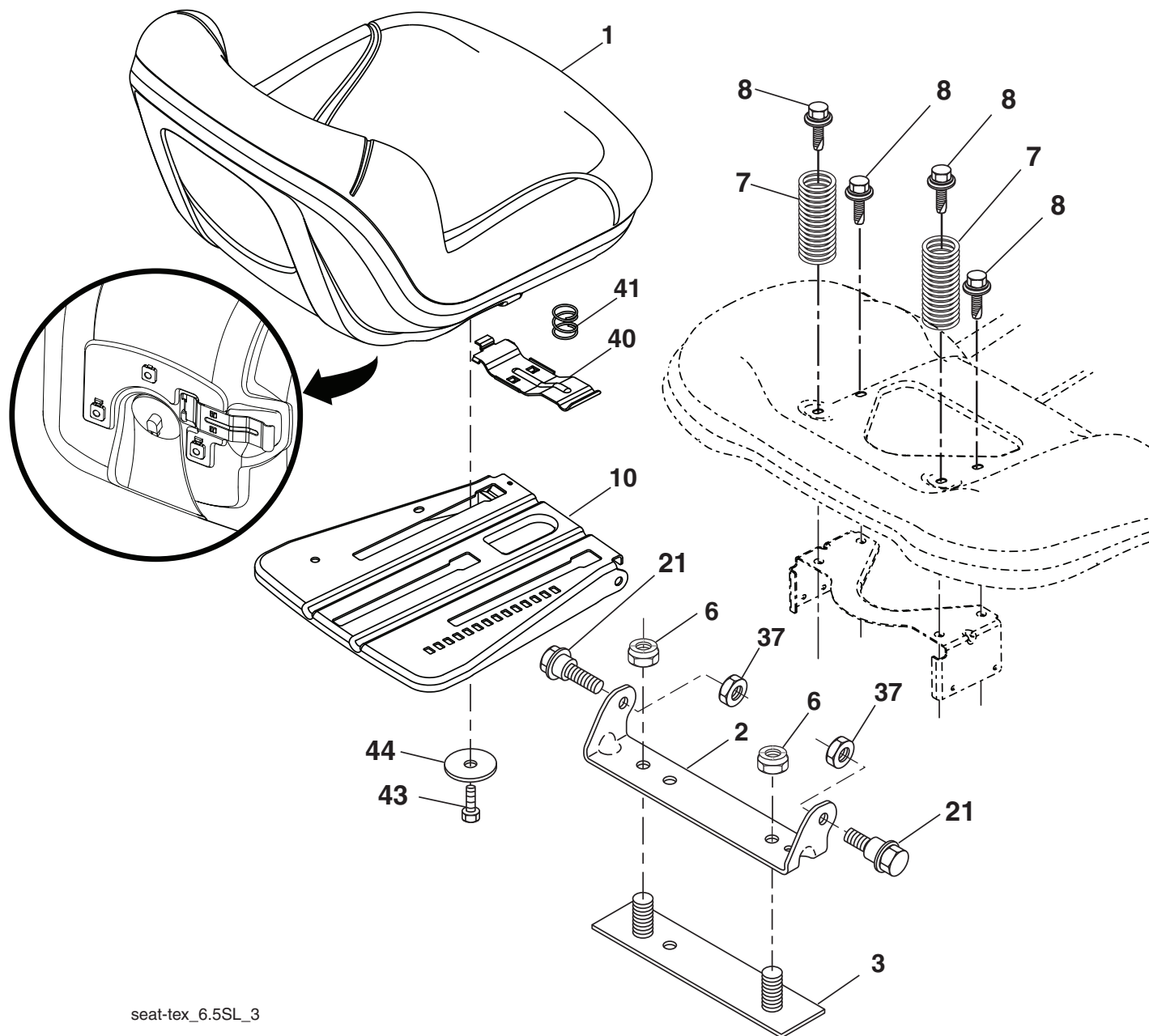
KEY NO.	PART NO.	DESCRIPTION
2	532 42 20-27	Shaft Asm., Lift
3	532 19 52-30	Lever Asm., Lift RH
7	580 96 23-01	Grip, Lever
10	532 19 63-14	Spring Torsion
87	532 19 42-09	Pin Cotter 7/16 Bow Tie Lock
88	532 19 53-04	Spring Lift Assist
89	819 19 19-12	Washer Clear Zinc
90	532 19 42-08	Pin Cotter 5/16 Bow Tie Lock

KEY NO.	PART NO.	DESCRIPTION
91	532 40 34-07	Link Lift Susp Mower Rear
97	817 00 06-12	Screw 3/8-16 x .75
98	532 19 52-64	Link Lift Susp. Front Mower

**NOTE:** All component dimensions given in U.S. inches  
1 inch = 25.4 mm



**TRACTOR - MODEL NO. GT54LS (96043017900), PROD. NO. 960 43 01-79  
SEAT ASSEMBLY**



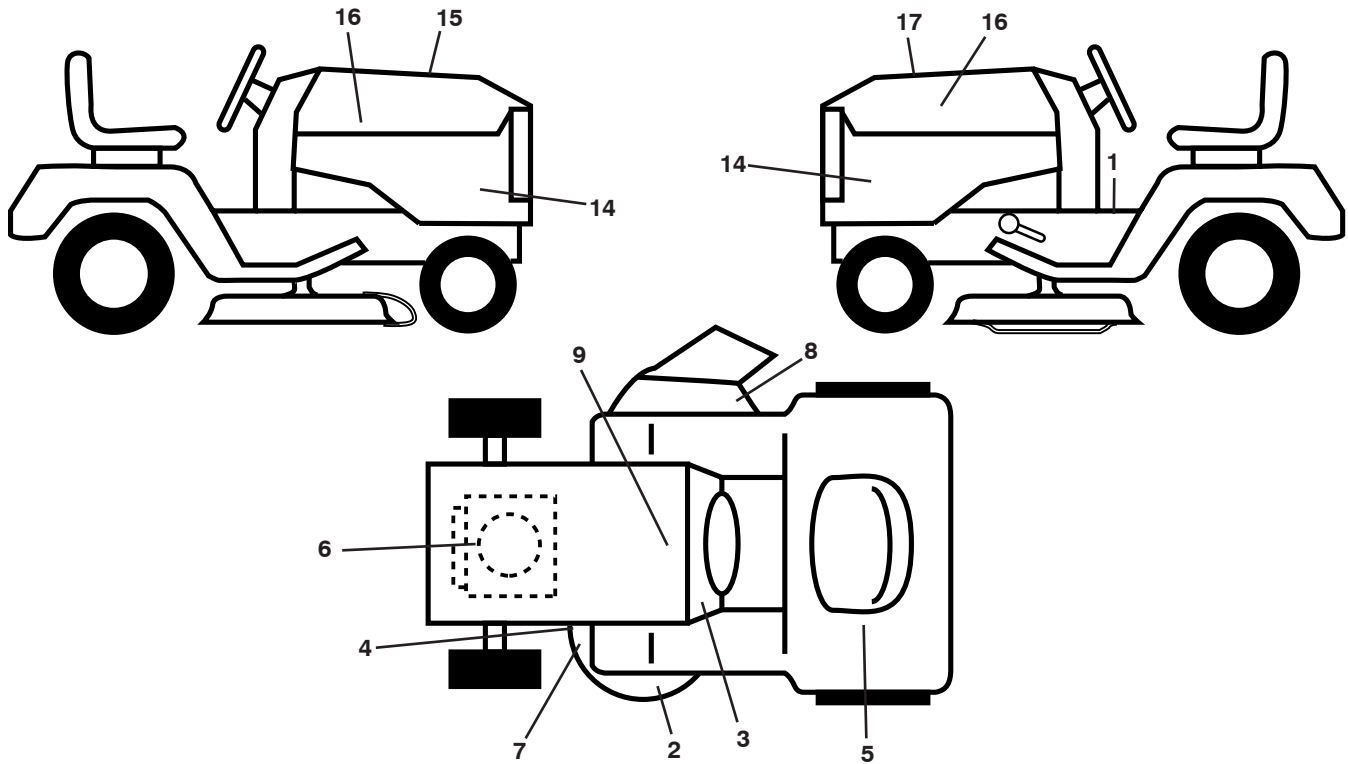
seat-tex\_6.5SL\_3

KEY NO.	PART NO.	DESCRIPTION
1	532 44 32-63	Seat
2	532 18 01-66	Bracket Pivot Fender
3	532 14 06-75	Strap, Asm Fender
6	873 80 06-00	Nut, Lock w/Ins. 3/8-16 unc
7	532 12 41-81	Spring, Seat Cprsn
8	532 17 18-77	Bolt 5/16-18 unc x 3/4 w/Sems
10	532 19 69-77	Pan, Seat
21	532 17 18-52	Bolt, Shoulder 5/16-18

KEY NO.	PART NO.	DESCRIPTION
37	873 80 05-00	Nut, Lock 5/16-18 unc
40	532 43 98-71	Handle Slide Seat
41	532 19 82-00	Spring Latch Seat
43	874 76 06-12	Bolt Fin Hex 3/8-16 unc x 3/4
44	819 13 38-12	Washer 13/32 x 2-3/8 x 12 Ga.

**NOTE:** All component dimensions given in U.S. inches  
1 inch = 25.4 mm

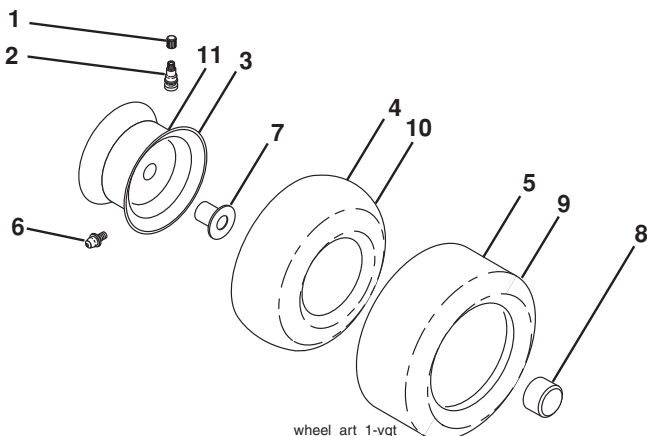
**TRACTOR - MODEL NO. GT54LS (96043017900), PROD. NO. 960 43 01-79  
DECALS**



KEY NO.	PART NO.	DESCRIPTION
1	581 57 89-01	Decal, Operator's
2	585 71 44-01	Decal, Pop Arm. Pop.
3	586 06 62-01	Decal, Snowflake
4	581 58 00-02	Decal, Mower Sch.
5	585 38 55-01	Decal, Warning Reserve
6	586 00 07-01	Decal, Eng. H.P.
7	581 72 45-02	Decal, Mower Caution Tension
8	581 57 95-01	Decal, Mower Warning Keep Hands Away
9	532 14 50-05	Decal, Battery Dnge/Poi

KEY NO.	PART NO.	DESCRIPTION
14	581 76 49-01	Decal, Panel Side
15	532 42 38-29	Decal, Cust. Resp.
16	581 62 73-01	Decal, Hood Logo
17	586 06 71-01	Decal, Replacement
--	581 72 48-01	Decal, Bypass
--	532 43 98-82	Pad, Footrest, LH
--	532 43 98-81	Pad, Footrest, RH
--	586 23 90-49	Manual, Operator's (English/ Spanish)
--	586 23 90-27	Manual, Parts (English/ Spanish)

**WHEELS AND TIRES**



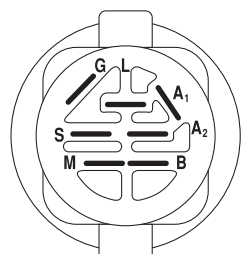
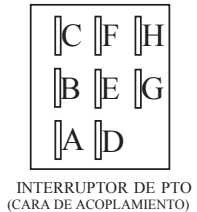
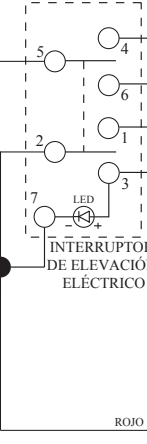
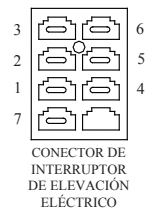
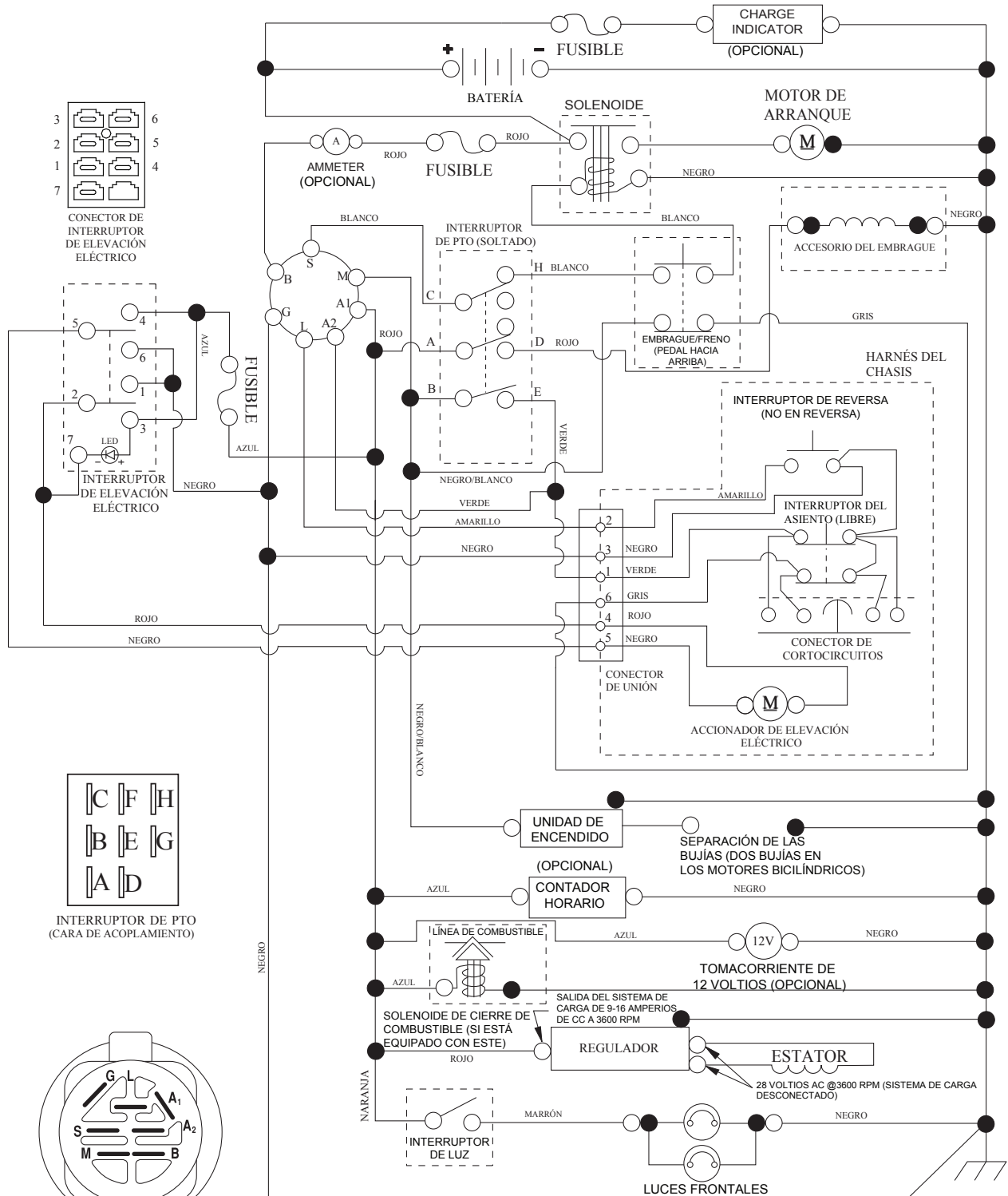
KEY NO.	PART NO.	DESCRIPTION
1	532 05 91-92	Cap, Valve, Tire
2	532 06 51-39	Stem, Valve
3	532 18 18-39	Rim Assembly, Front
4	532 00 81-34	Tube, Front (Service Item Only)
5	532 16 10-24	Tire, Front 16 x 6.5-8
6	532 12 49-57	Fitting, Grease (Front Wheel Only)
7	532 12 49-59	Bearing, Flange (Front Wheel Only)
8	532 17 50-39	Cap, Axle
9	532 17 04-53	Tire, Rear 23 x 10.5-12
10	532 00 71-54	Tube, Rear (Service Item Only)
11	532 14 45-10	Rim Assembly, Rear
--	532 14 43-34	Sealant, Tire (10 oz. Tube)

**NOTE:** All component dimensions given in U.S. inches  
1 inch = 25.4 mm

# TRACTOR - MODELO NO. GT54LS (96043017900), PROD. NO. 960 43 01-79

## DIAGRAMA

SCH27-s



INTERRUPTOR DE ENCENDIDO

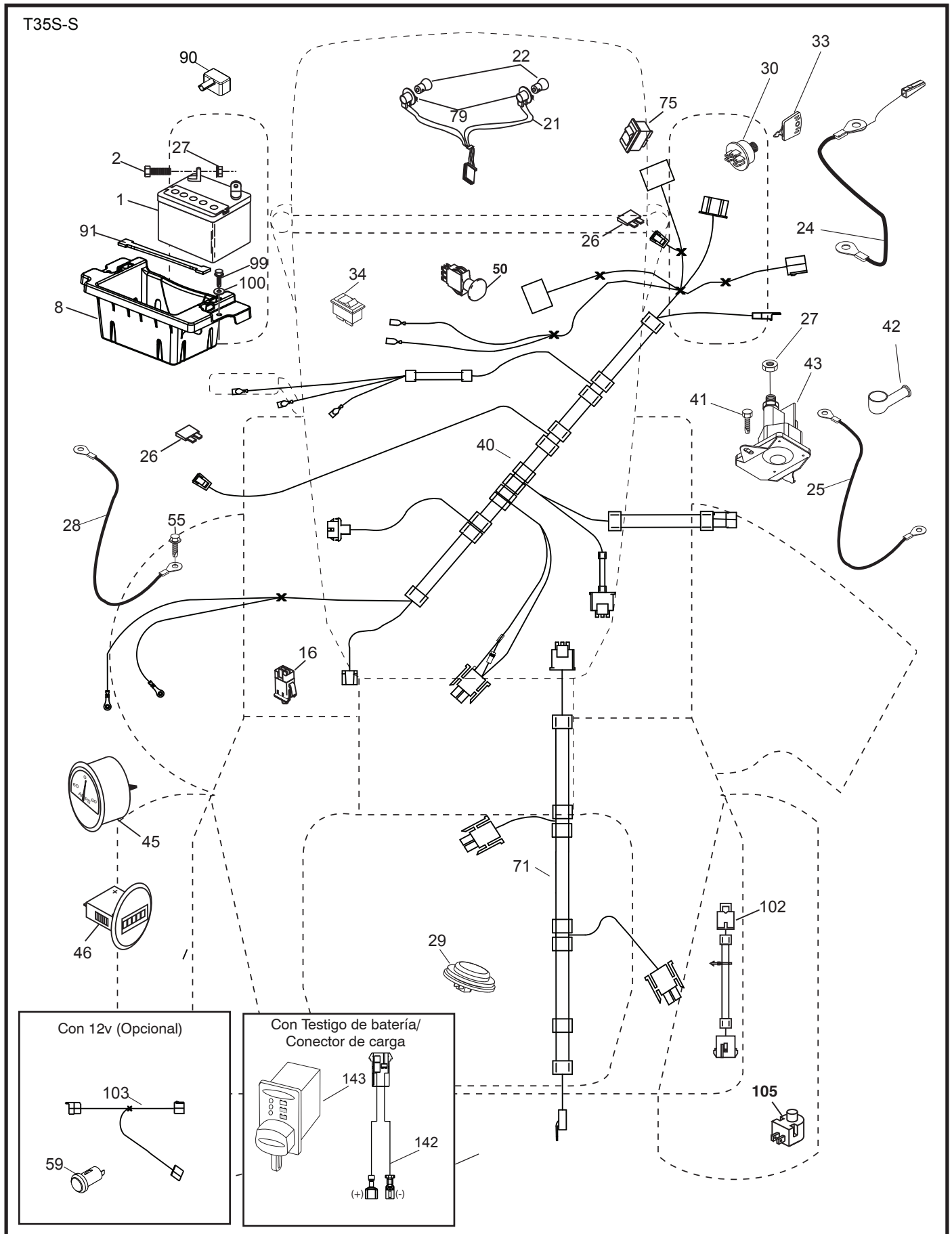
POSICIÓN	CIRCUITO «MARCA»
APAGADO	M+G+A1
PONER EN FUNCIONAMIENTO/ANULAR	B+A1
PONER EN FUNCIONAMIENTO	B+A1 L+A2
ARRANCAR	B + S + A1



NOTA SOBRE LAS ABRAZADERAS DE AISLAMIENTO DEL CABLEADO: SI SE QUITAN LAS ABRAZADERAS DE AISLAMIENTO DEL CABLEADO PARA HACER EL MANTENIMIENTO DE LA UNIDAD, SE LAS DEBERÁ INSTALAR NUEVAMENTE PARA PROTEGER EL CABLEADO ADECUADAMENTE.



**TRACTOR - MODELO NO. GT54LS (96043017900), PROD. NO. 960 43 01-79**  
**DIAGRAMA ELÉCTRICO**

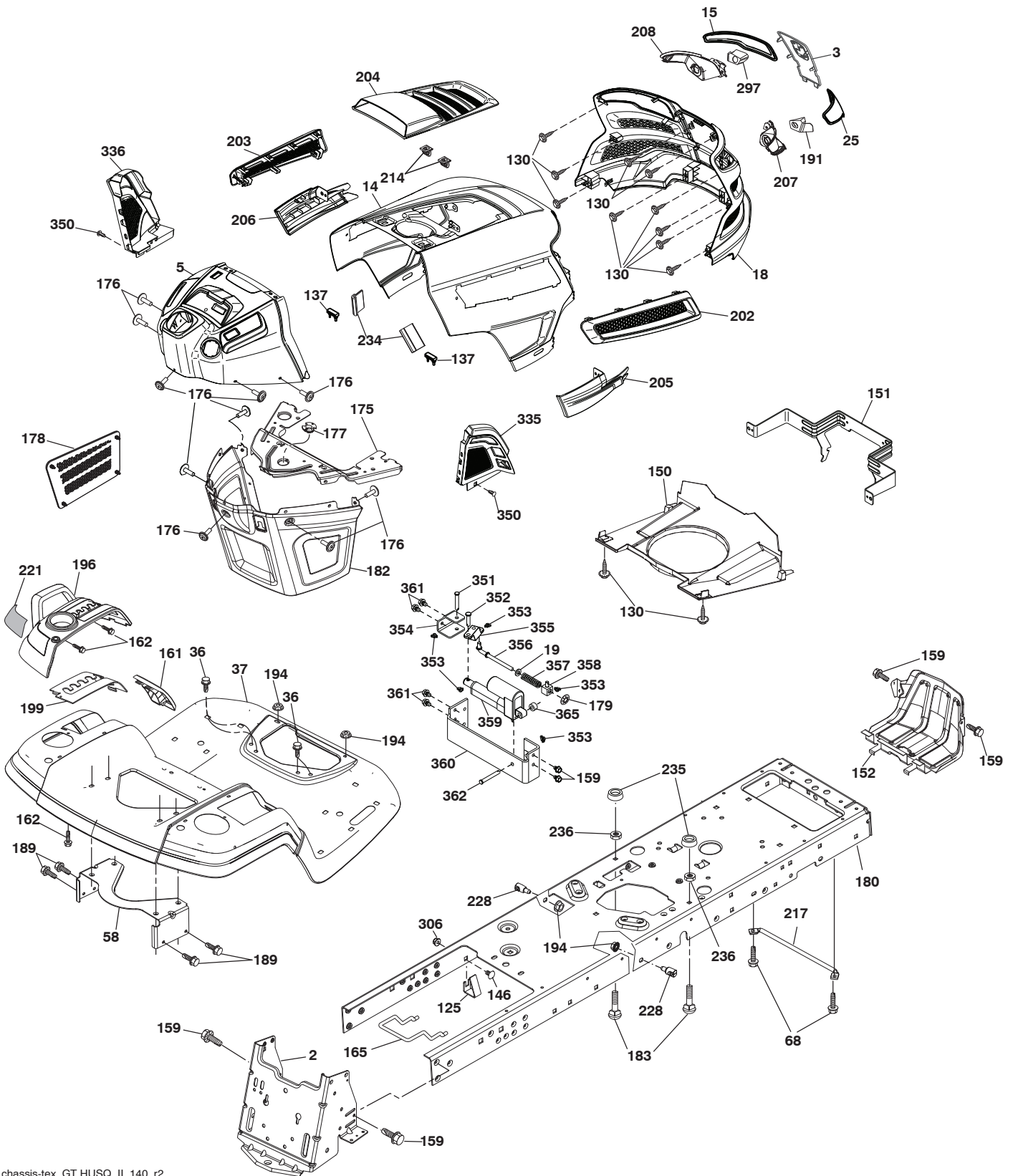


**TRACTOR - MODELO NO. GT54LS (96043017900), PROD. NO. 960 43 01-79**  
**DIAGRAMA ELÉCTRICO**

<b>CÓDIGO NO.</b>	<b>PIEZA NO.</b>	<b>DESCRIPCIÓN</b>
1	532 16 34-65	Batería
2	874 76 04-12	Perno 1/4-20 x 3/4
8	532 18 64-91	Puerta de la caja de la batería
16	532 17 61-38	Interruptor
21	532 40 02-52	Arnés con 4152j
22	532 00 41-52	Luz
24	585 55 56-01	Cable de batería
25	585 55 55-01	Cable
26	532 17 51-58	Fusible
27	873 51 04-00	Seguridad 1/4-20 unc
28	532 41 65-88	Cable
29	532 40 15-45	Interruptor
30	532 19 33-50	Interruptor de ignición
33	532 41 19-33	Llave\cadena
34	532 11 07-12	Posición del interruptor de luz
40	581 68 63-01	Arnés
41	817 72 04-08	Tornillo 1/4-20 x 1/2
42	532 13 15-63	Cubierta
43	532 19 25-07	Solenoide
45	532 42 52-70	Amperímetro serie
46	532 42 52-71	Dispositivo de aviso de servicio
50	532 17 46-51	Interruptor pto
55	817 06 05-12	Tornillo, 5/16-18 x 3/4 tytt
59	532 40 03-03	Salida 12-v
71	580 51 30-01	Arnés de ignición Chasis
75	580 36 64-01	Interruptor
79	532 17 52-42	Enchufe de cierre por torsión del ensamble de la bombilla
90	532 43 53-95	Cubierta
91	532 19 02-70	Correa
99	817 67 04-12	Tornillo, 1/4-20 x 3/4
100	819 09 14-16	Arandela 9/32 x 7/8 x calibre 16
102	532 40 44-54	Arnés
103	532 42 17-47	Arnés 12-v
105	532 40 75-68	Interruptor
142	583 85 78-01	Arnés
143	532 44 80-59	Enchufe de cargador

**NOTA:** Las dimensiones de todos los componentes están expresadas en pulgadas americanas. 1 pulgada = 25,4 mm

**TRACTOR - MODELO NO. GT54LS (96043017900), PROD. NO. 960 43 01-79**  
**CHASIS**



chassis-tex\_GT HUSQ\_II\_140\_r2

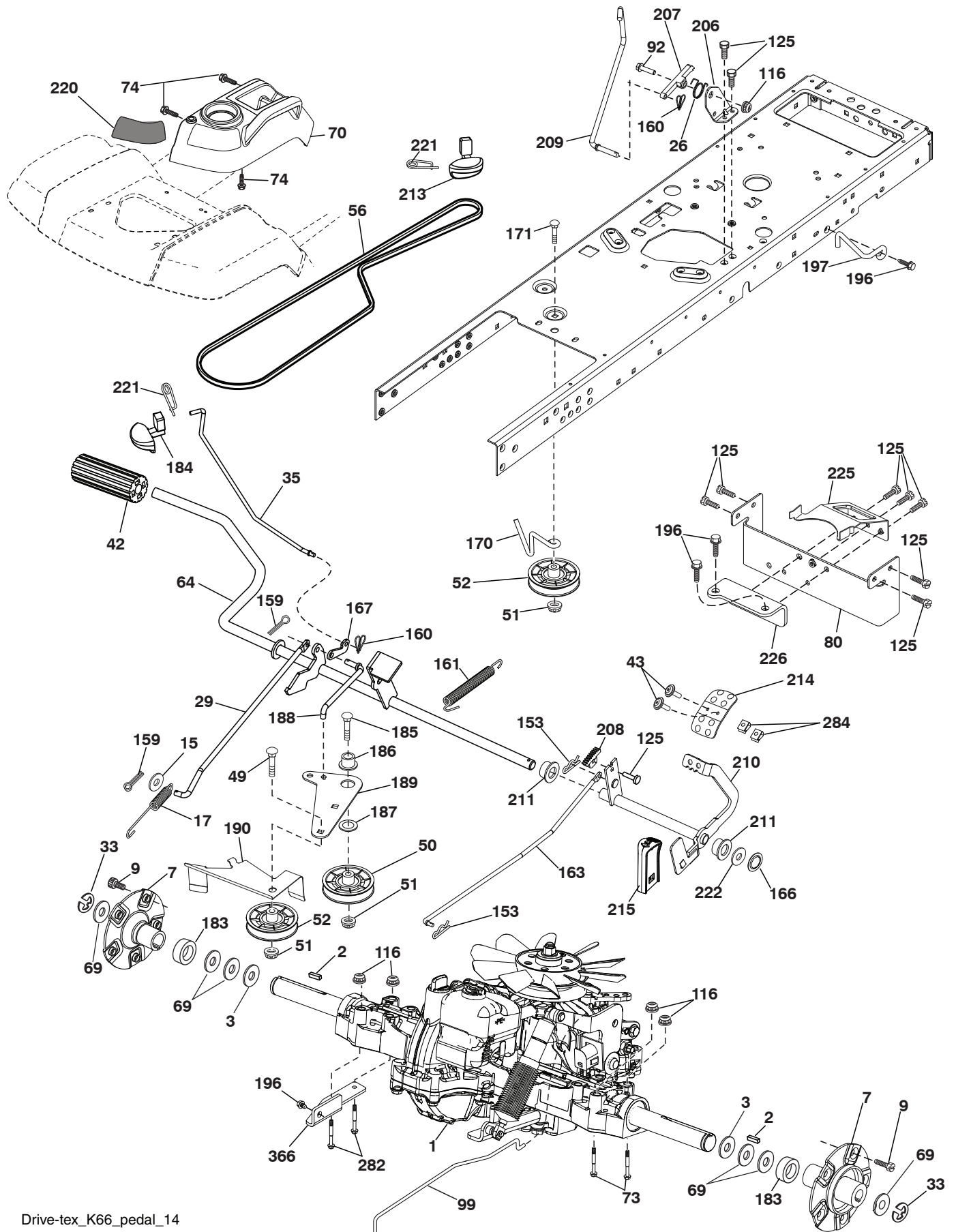
**TRACTOR - MODELO NO. GT54LS (96043017900), PROD. NO. 960 43 01-79  
CHASIS**

CÓDIGO PIEZA			CÓDIGO PIEZA		
No.	No.	DESCRIPCIÓN	No.	No.	DESCRIPCIÓN
2	580 43 44-01	Barra de tracción	202	532 43 97-28	Salida de Ventilación (LD)
3	532 44 44-81	Aplica	203	532 43 97-27	Salida de Ventilación (LI)
5	581 67 42-01	Tablero	204	532 43 57-14	Salida de Ventilación superior
14	532 44 11-77	Capota	205	532 43 97-30	Camisa de Capota (LD)
15	532 43 97-33	Lente izquierdo de la parrilla	206	532 43 97-29	Camisa de Capota (LI)
18	532 44 06-53	Parrilla	207	532 43 97-34	Bisel derecho
19	819 13 13-12	Arandela de 13/32 x 13/16 x 12 calibre 16	208	532 43 97-35	Bisel izquierdo
25	532 44 33-85	Lente derecho de la parrilla	214	532 19 91-45	Cierre
36	817 06 05-12	Tornillo 5/16-18 x 3/4	217	532 40 91-67	Varilla giratoria
37	532 44 12-08	Guardabarros	221	532 19 89-09	Reflector (LI)
58	532 19 43-14	Soporte	228	532 19 51-61	Sujetador del travesaño
68	817 49 05-08	Tornillo 5/16-18 x 1/2	234	532 40 47-42	Cubierta Capota
125	581 68 48-01	Cierre	235	532 40 61-29	Separador del guardabarros
130	532 41 63-58	Tornillo #10 x 0.750	236	873 93 05-00	Tuerca 5/16-18 unc
137	532 40 75-90	Cubierta Tablero	297	532 43 74-56	Parrilla reflector (LI)
146	581 85 79-01	Perno	306	873 90 06-00	Tuerca
150	532 43 97-74	Cubierta térmica del conducto	335	532 44 82-04	Cubierta (LD)
151	532 43 66-70	Soporte	336	532 44 53-09	Cubierta (LI)
152	532 43 98-70	Protector contra oscurecimiento	350	532 44 51-43	Clip del árbol de navidad
159	817 00 06-12	Tornillo 3/8-16 x 3/4	351	532 42 17-34	Clavija de horquilla .375 x 2.125
161	532 43 99-29	Ventana	352	532 44 86-34	Clavija .375 x 2.125
162	532 14 24-32	Tornillo 1/4 x 1/2	353	532 17 80-62	Pinzas de retención .0375
165	532 19 43-30	Soporte	354	532 44 86-19	Soporte
175	532 19 63-04	Travesaño	355	532 44 86-36	Mecanismo
176	532 40 07-76	Tornillo 10-24 x 5/8	356	532 44 86-93	Acoplamiento
177	532 19 52-27	Buje de soporte del guardabarros de carga	357	532 44 86-84	Resorte
178	532 19 97-82	Carga la Asamblea neta	358	580 36 66-01	Guía
179	532 16 89-37	Tuerca de presión	359	584 39 34-01	Accionador
180	532 44 55-59	Chasis	360	532 44 86-18	Soporte del accionador
182	532 40 68-59	Tablero	361	817 49 06-10	Tornillo 3/8-16 x 5/8
183	874 52 05-20	Perno 5/16-18 x 1-1/4	362	532 44 86-33	Clavija .375 x 2.42
189	817 00 05-12	Tornillo 5/16-18 x 3/4	365	532 44 73-68	Separador .375 x .4375L
191	532 43 74-55	Parrilla reflector (LD)	--	532 43 18-82	Kit del protector del cepillo
194	873 90 05-00	Tuerca 5/16-18			
196	532 43 96-74	Ensamble de la consola de la plataforma de elevación			
199	532 19 82-59	Plataforma de elevación			

**NOTA:** Las dimensiones de todos los componentes están expresadas en pulgadas americanas. 1 pulgada = 25,4 mm



**TRACTOR - MODELO NO. GT54LS (96043017900), PROD. NO. 960 43 01-79**  
**TRANSMISIÓN**





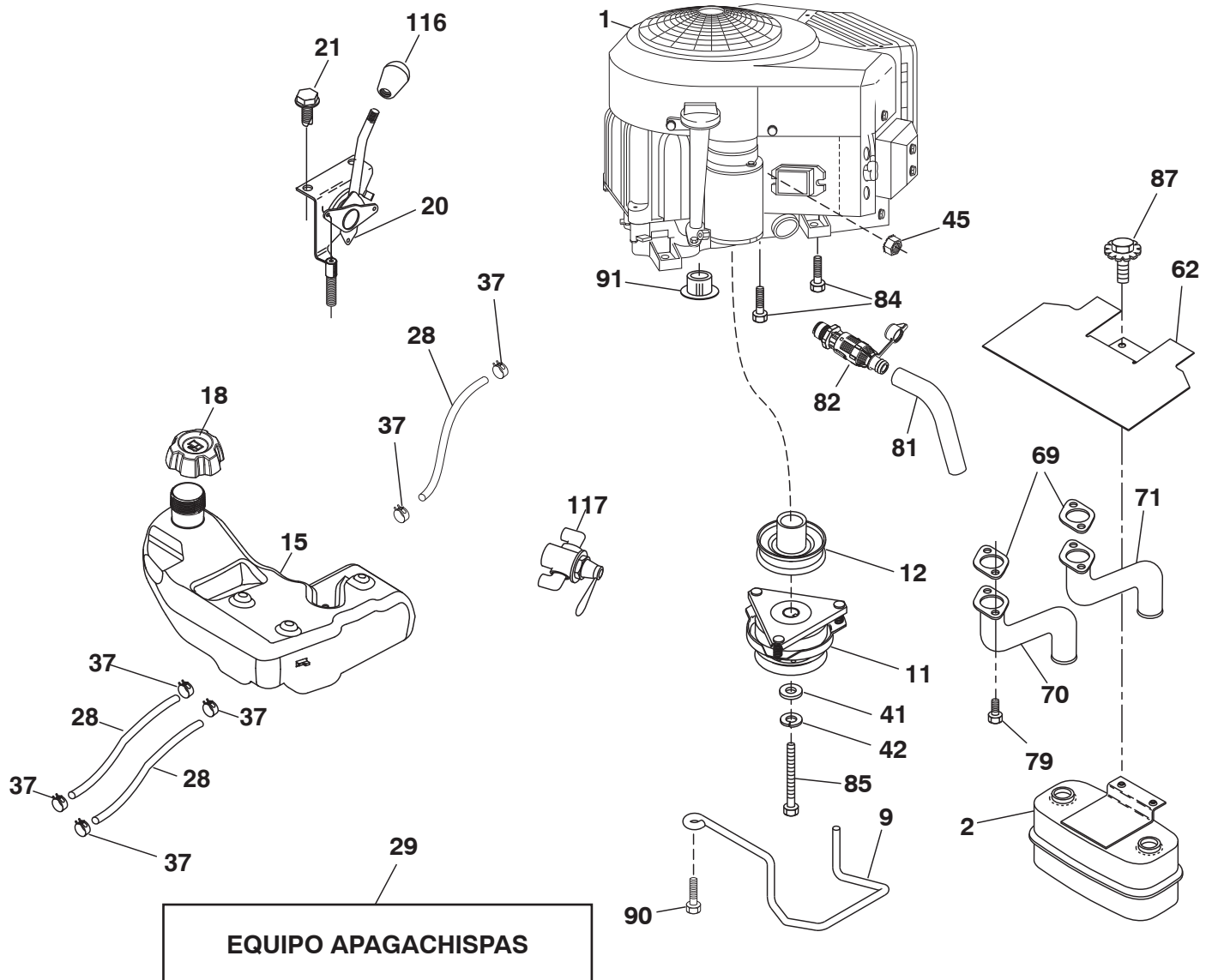
# TRACTOR - MODELO NO. GT54LS (96043017900), PROD. NO. 960 43 01-79

## TRANSMISIÓN

CÓDIGO PIEZA			CÓDIGO PIEZA		
No.	No.	DESCRIPCIÓN	No.	No.	DESCRIPCIÓN
1	---	Transeje, Tufftorq K66ELD (580402201) (Haga el pedido de las piezas al fabricante del transeje.)	171	872 11 06-16	Sujetador de la correa
2	532 00 70-70	Cuña 1/4 x 2.5	183	532 19 73-57	Separador del eje
3	532 00 75-63	Arandela	184	532 44 14-55	Manija del freno de mano
7	532 19 98-37	Ruede eje la asamblea	185	872 11 06-22	Perno 3/8-16 unc x 2-3/4 grado 5
9	532 14 00-80	Perno	186	532 19 43-21	Espaciador de retención
15	819 13 13-16	Arandela 13/32 x 13/16 x calibre 16	187	819 13 32-10	Arandela
17	532 40 10-72	Resorte de freno	188	532 19 43-23	Mecanismo de desplazamiento de la varilla de mando del embrague
26	532 19 96-79	Crucero con retorno de muelle	189	532 19 43-17	Palanca acodada del mecanismo de desplazamiento
29	532 40 72-45	Varilla del freno	190	532 19 43-18	Sujetador de la palanca acodada del mecanismo de desplazamiento
33	812 00 00-53	Aro "E"	196	817 00 06-16	Tornillo 3/8-16 x 1
35	583 86 45-01	Varilla del freno de mano	197	532 19 97-69	Bracket Clutch Anti-Rotation
42	532 12 48-72	Cubierta del pedal	206	532 44 85-96	Soporte
43	874 18 04-12	Tornillo 1/4-20 x 3/4	207	532 19 78-68	Bloqueo del control del crucero
49	872 11 06-14	Perno	208	532 19 78-69	Engranaje del sector de control del crucero
50	532 19 43-27	Polea loca plana	209	532 19 95-92	Varilla de control del crucero
51	873 90 06-00	Tuerca 3/8-16	210	532 19 78-60	Ensamble del balancín del control del pedal
52	532 19 43-26	Polea loca con ranura en V con un desplazamiento	211	532 12 01-83	Rodamiento de nylon
56	532 12 59-07	Correa trapezoidal de la transmisión	213	532 40 31-19	Perilla de control del crucero
64	532 19 78-65	Ensamble del eje control del pedal de freno	214	532 41 68-63	Forro del pedal para avanzar
69	532 12 38-00	Arandela 1-1/32 x 1-5/8 x calibre 16	215	532 40 17-23	Forro del pedal para retroceder
70	532 43 96-61	Ensamble del console	220	532 19 89-08	Reflector (LD)
73	874 49 05-44	Perno 5/16-18 x 3 Gr. 5	221	532 40 31-87	Abrazadera de retención del resorte de la manija
74	532 14 24-32	Tornillo 1/4 x 1/2	222	879 21 20-10	Arandela 21/32 x 1-1/4 x calibre 10
80	583 97 07-01	Correa de torsión	225	532 40 73-11	Sujetador de la correa
92	874 76 05-20	Perno 5/16-18 x 1/2	226	532 40 71-09	Soporte de montaje
99	532 41 57-44	Resorte	282	874 49 05-48	Perno 5/16-18 x 3.0 Gr 5
116	873 90 05-00	Tuerca 5/16-18	284	532 41 76-93	Tuerca 1/4-20
125	817 00 05-12	Tornillo 5/16-18 x 3/4	366	580 62 62-01	Soporte
153	532 12 47-88	Retén del resorte			
159	876 02 04-12	Pasador de chaveta de 1/8 x 3/4			
160	532 16 94-84	Abrazadera de retención			
161	532 10 57-09	Resorte de retorno del embrague			
163	532 40 72-46	Varilla de control del pedal			
166	532 42 91-64	Tuerca .625			
167	532 40 52-57	Pestillo del freno de mano			
170	532 19 43-22	Sujetador de la correa			

**NOTA:** Las dimensiones de todos los componentes están expresadas en pulgadas americanas. 1 pulgada = 25,4 mm

TRACTOR - MODELO NO. GT54LS (96043017900), PROD. NO. 960 43 01-79  
MOTOR



engine-tex\_bs-2cyl\_79

# TRACTOR - MODELO NO. GT54LS (96043017900), PROD. NO. 960 43 01-79 MOTOR

CÓDIGO PIEZA		DESCRIPCIÓN
No.	No.	
1	---	Motor B&S Modelo No. 44R877-0008-G1 (586005401) (Haga el pedido de las piezas al fabricante del motor.)
2	532 44 59-62	Silenciador
9	584 90 80-01	Ensamble del sujetador de la correa del motor
11	532 17 93-35	Embrague eléctrico
12	532 19 43-43	Polea del motor
15	532 43 80-82	Tanque de combustible de 4,0R
18	532 43 92-08	Ensamble de la tapa
20	586 21 96-01	Control del regulador
21	532 41 63-58	Tornillo #10 x 0.750
28	532 40 11-35	Línea de combustible
29	532 13 71-80	Equipo apagachispas
37	532 12 34-87	Abrazadera de la manguera
41	532 12 61-97	Arandela 1-1/2 OD x 15/32 ID x .250
42	810 04 07-00	Arandela
45	873 51 04-00	Tuerca 1/4-20 unc
62	532 43 40-17	Silenciador con pantalla térmica
69	532 16 53-91	Junta
70	581 88 11-01	Tubo de escape izquierdo
71	581 88 10-01	Tubo de escape derecho
79	532 18 39-06	Tornillo 5/16-18 x 1
81	532 14 84-56	Tubo de fácil drenaje de aceite
82	532 42 82-87	Válvula
84	817 06 06-20	Tornillo 3/8-16 x 1-1/4
85	532 17 99-53	Perno 7/16-20 x 3.75 Gr. 5
87	532 17 18-77	Perno 5/16-18 unc x 3/4
90	817 00 06-16	Tornillo 3/8-16 x 1
91	532 18 74-95	Buje
116	539 13 26-24	Perilla
117	532 42 08-28	Abastecza de combustible Válvula

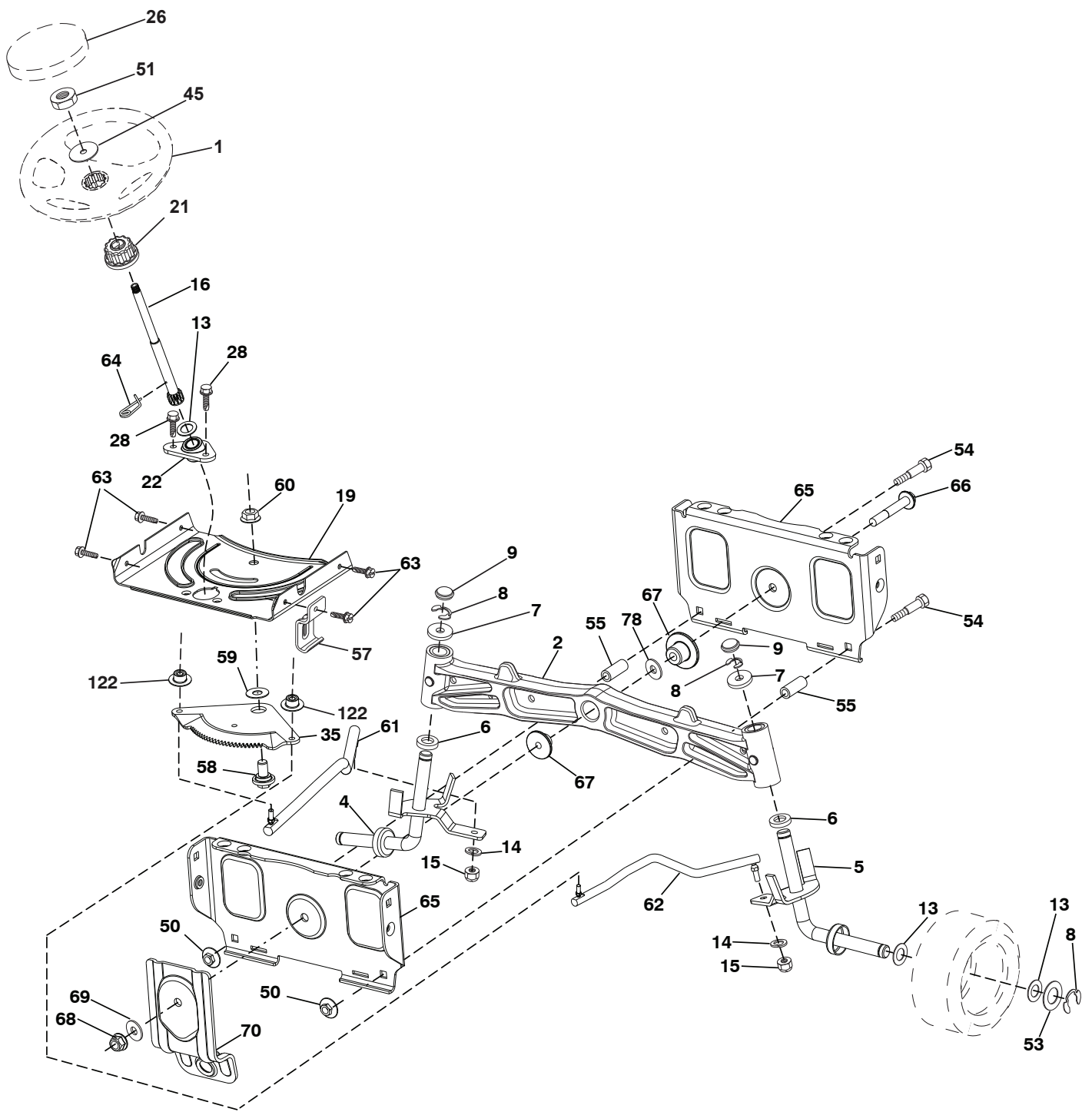
**NOTA:** Las dimensiones de todos los componentes están expresadas en pulgadas americanas. 1 pulgada = 25,4 mm

Para el servicio de motor y repuestos, llame el número de llamada gratuita para su fabricante de motor listó abajo:  
Briggs & Stratton 1-800-233-3723

## Información de Clasificación de Potencia del Motor

La clasificación de potencia para un modelo de motor a gas en particular se designa de acuerdo al código J1940 de SAE (Sociedad de Ingenieros Automotrices) (Procedimiento de Clasificación de Potencia & Torque del Motor Pequeño), y la clasificación de desempeño ha sido obtenida y corregida de acuerdo con el código J1995 de SAE (Revisión 2002-05). Los valores de torque se obtienen a 3060 RPM; los valores de potencia se obtienen a 3600 RPM. La potencia bruta actual del motor será inferior y está afectada, entre otras cosas, por las condiciones ambientales operativas y la variabilidad de motor a motor. Dado ambos un amplio conjunto de productos en los cuales son puestos nuestros motores, y la variedad de emisiones ambientales aplicables al operar el equipo, el motor a gas no desarrollará la potencia nominal cuando sea usado en una parte del equipo acoplado (potencia real "en el-sitio" o potencia neta). Esta diferencia se debe a una variedad de factores que incluyen, pero que no están limitados a, accesorios (filtro de aire, sistema de escape, sistema de carga, sistema de enfriamiento, carburador, bomba de combustible, etc.) limitaciones de la aplicación, condiciones ambientales de operación (temperatura, humedad, altitud), y la variabilidad de motor a motor. Debido a las limitaciones, Briggs & Stratton puede sustituir este motor con clasificación de potencia más alta por esta serie de motor.

**TRACTOR - MODELO NO. GT54LS (96043017900), PROD. NO. 960 43 01-79**  
**ENSAMBLE DE LA DIRECCIÓN**



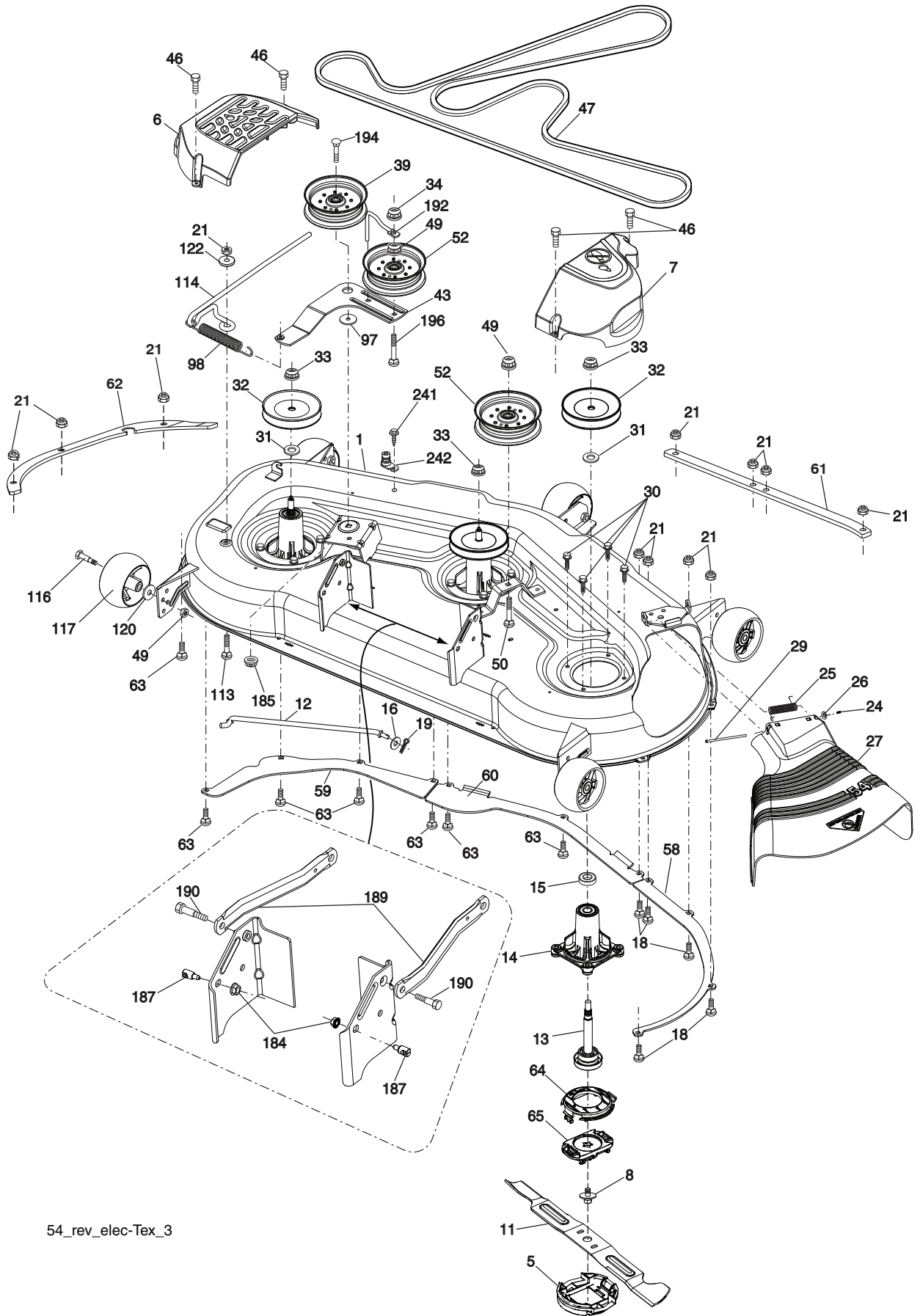
steering-tex\_HUSQSR\_37

**TRACTOR - MODELO NO. GT54LS (96043017900), PROD. NO. 960 43 01-79  
ENSAMBLE DE LA DIRECCIÓN**

<b>CÓDIGO PIEZA</b>		
<b>No.</b>	<b>No.</b>	<b>DESCRIPCIÓN</b>
1	532 43 97-40	Volante de dirección
2	532 19 59-68	Ensamble del eje delantero
4	532 40 30-89	Ensamble del husillo izquierdo
5	532 40 30-90	Ensamble del husillo derecho
6	532 12 49-31	Pista del rodamiento para reforzar el impulso
7	532 12 17-48	Arandela 25/32 x 1-5/8 x calibre 16
8	812 00 00-29	Abrazadera del aro No. T5304-75
9	532 12 12-32	Tapa del husillo
13	532 12 17-49	Arandela 25/32 x 1-1/4 x calibre 16
14	810 04 06-00	Arandela 3/8
15	873 54 06-00	Tuerca 3/8-24 unf
16	532 40 82-19	Eje de dirección
19	532 19 47-29	Placa de dirección
21	532 18 67-37	Adaptador del volante de dirección
22	532 42 05-37	Soporte
26	532 43 97-43	Inserto del volante de dirección
28	817 00 06-12	Tornillo 3/8-16 x 3/4
35	532 19 47-32	Engranaje del sector de la placa
45	819 18 38-12	Arandela 9/16 x 2-3/8 x calibre 12
50	873 90 06-00	Tuerca 3/8-16 unc
51	873 94 08-00	Tuerca 1/2-20 unf
53	532 18 89-67	Arandela .793 x 1.637 x .060
54	874 76 06-36	Perno 3/8-16 unc x 2-1/4
55	532 41 47-36	Espaciador
57	532 19 72-46	Tope superior del soporte
58	532 19 47-47	Perno
59	532 19 47-48	Arandela
60	873 97 10-00	Tuerca 5/8-11
61	532 19 47-40	Barra de acoplamiento izquierda
62	532 19 47-41	Barra de acoplamiento derecha
63	817 00 05-12	Tornillo 5/16-18 x 3/4
64	532 19 98-49	Abrazadera de retención del resorte de la dirección
65	532 19 47-34	Soporte delantero del eje
66	871 02 07-48	Perno 7/16-14 x 3
67	532 19 47-37	Buje
68	873 90 07-00	Tuerca 7/16-14 Gr. 5
69	532 19 91-62	Arandela 1.5 x .505 x .118
70	532 19 61-97	Soporte
78	532 05 70-79	Arandela
122	532 44 49-62	Tapa

**NOTA:** Las dimensiones de todos los componentes están expresadas en pulgadas americanas. 1 pulgada = 25,4 mm

TRACTOR - MODELO NO. GT54LS (96043017900), PROD. NO. 960 43 01-79  
PLATAFORMA DE LA CORTADORA DE CÉSPED



54\_rev\_elec-TEX\_3

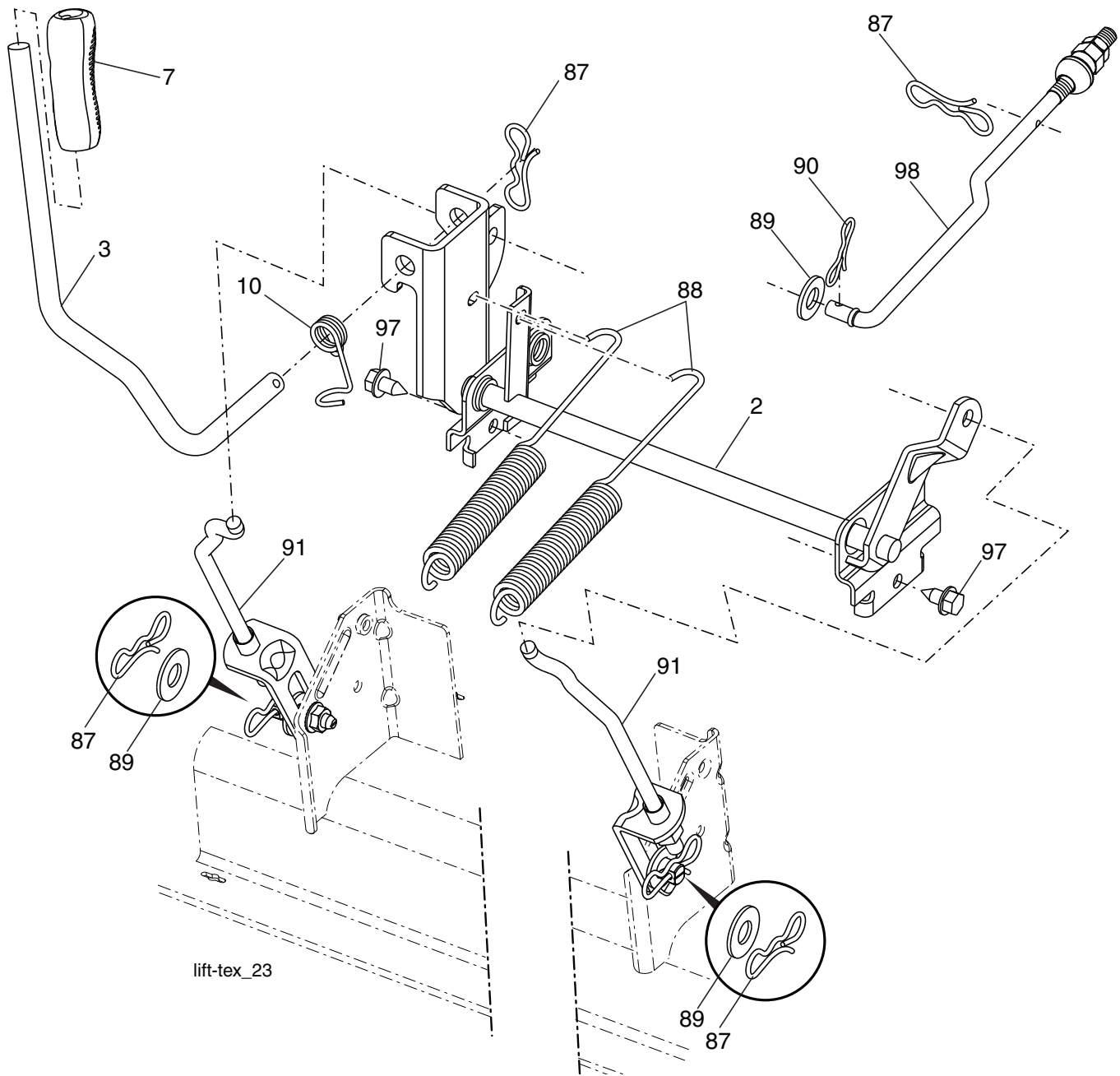
**TRACTOR - MODELO NO. GT54LS (96043017900), PROD. NO. 960 43 01-79  
PLATAFORMA DE LA CORTADORA DE CÉSPED**

<b>CÓDIGO NO.</b>	<b>PIEZA NO.</b>	<b>DESCRIPCIÓN</b>	<b>CÓDIGO NO.</b>	<b>PIEZA NO.</b>	<b>DESCRIPCIÓN</b>
1	532 44 50-61	Plataforma de la Cortadora de Césped	59	532 18 73-44	Chicane (LI)
5	580 95 40-02	Soporte	60	532 18 76-07	Chicane Central
6	532 19 60-66	Cubierta Izquierda del Mandril	61	585 32 26-05	Placa de refuerzo frontal
7	532 19 71-81	Cubierta Derecha del Mandril	62	585 32 28-05	Placa de refuerzo lateral
8	584 30 93-01	Tornillo 7/16-20 x 1	63	872 11 05-10	Perno 5/16-18 x 1-1/4 grado 5
11	581 10 11-01	Cuchilla	64	584 30 66-01	Tapa superior
12	532 40 03-37	Varilla	65	584 30 67-01	Tapa inferior
13	580 86 21-01	Ensamble del eje	97	532 17 85-15	Arandela
14	581 20 43-01	Carcasa del mandril	98	532 19 61-05	Resorte
15	532 11 04-85	Rodamiento de bolas del mandril	113	872 11 05-08	Perno 5/16-18 x 3/4
16	819 13 13-12	Arandela, 13/32 x 13/16 x Calibre 12	114	532 18 75-56	Varilla
18	872 14 05-05	Perno 5/16-18 x 5/8	116	532 19 34-06	Perno de Tope
19	532 19 42-08	Pasador de Chaveta de 5/16 con Bloqueo en Forma de Mariposa	117	532 17 48-73	Rueda Calibradora
21	873 68 05-00	Tuerca Corona de Presión de 5/16-18 unc	120	819 13 20-12	Arandela, 13/32 x 1-1/4 x Calibre 12
24	532 10 53-04	Tapa de la Manga	122	532 18 75-57	Buje
25	532 17 81-02	Resorte de Torsión	184	873 90 05-00	Tuerca
26	532 11 04-52	Tuerca	185	873 90 07-00	Tuerca 7/16-14 Gr. 5
27	532 18 89-38	Protector del Deflector	187	532 19 51-61	Sujetador del travesaño
29	532 13 14-91	Varilla de la Bisagra	189	532 19 51-85	Brazo de la Suspensión
30	584 95 39-01	Perno 3/8-18 x 1.19	190	532 19 65-39	Perno con Resalto
31	532 18 76-90	Arandela del separador	192	532 19 84-68	Fijador de la Correa
32	532 15 35-35	Polea del Mandril	194	874 49 07-36	Perno Hex Washhead 7/16
33	532 40 02-34	Tuerca	196	872 14 06-20	Perno 3/8-16 x 2-1/2 Gr. 5
34	873 68 06-00	Tuerca de Seguridad de Brida 3/8-16 unc	241	532 15 29-27	Tornillo, TT #10-32.5 3/8
39	532 19 73-80	Polea loca	242	532 41 55-98	Puerto De Lavado De La Cubierta
43	532 19 60-65	Brazo de la Polea	--	532 41 64-05	Accesorio del conexión
46	532 13 77-29	Tornillo, 1/4-20 x 5/8	--	580 86 26-01	Ensamble del Mandril (solo incluye la carcasa (#14), el ensamble del eje (#13) y el rodamiento (#15); no incluye la polea/tuerca/arandela ni los pernos/arandelas de la cuchilla)
47	532 19 61-03	Correa	--	586 44 07-01	Reemplazo de la cortadora de césped, completa
49	873 90 06-00	Tuerca de Presión C/Aislamiento de 3/8-16 UNC			
50	872 11 06-16	Perno 3/8-16 unc x 2			
52	532 19 73-79	Polea loca			
58	532 18 73-42	Chicane (LD)			

**NOTA:** Las dimensiones de todos los componentes están expresadas en pulgadas americanas. 1 pulgada = 25,4 mm



**TRACTOR - MODELO NO. GT54LS (96043017900), PROD. NO. 960 43 01-79**  
**ELEVACIÓN DE LA CORTADORA DE CÉSPED**



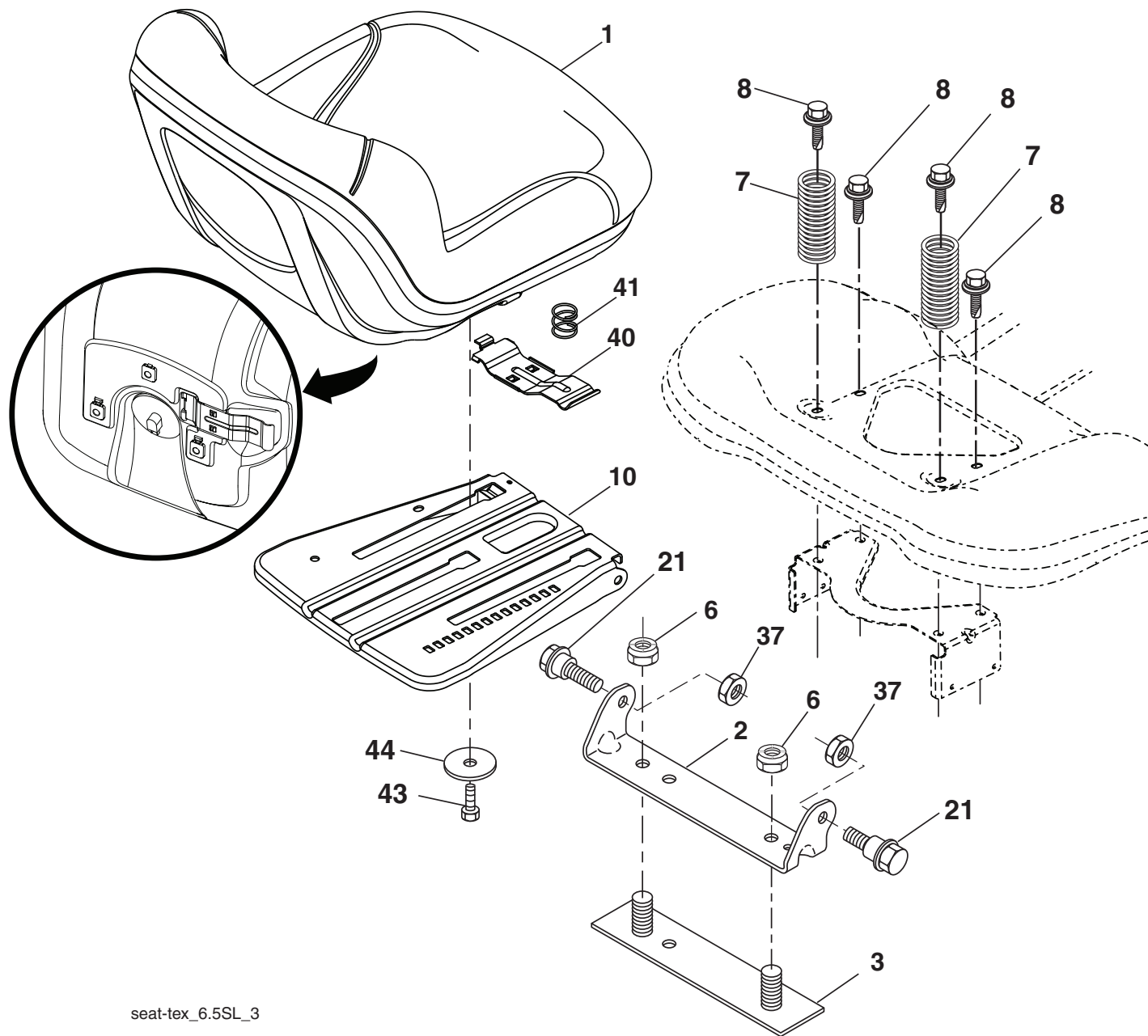
CÓDIGO NO.	PIEZA NO.	DESCRIPCIÓN
2	532 42 20-27	Ensamble del eje de la elevación
3	532 19 52-30	Ensamble de la palanca de elevación derecha
7	580 96 23-01	Mango de la palanca
10	532 19 63-14	Resorte de torsión
87	532 19 42-09	Pasador de chaveta de 7/16 con bloqueo en forma de mariposa
88	532 19 53-04	Resorte de ayuda de la elevación
89	819 19 19-12	Arandela de zinc transparente

CÓDIGO NO.	PIEZA NO.	DESCRIPCIÓN
90	532 19 42-08	Pasador de chaveta de 5/16 con bloqueo en forma de mariposa
91	532 40 34-07	Ensamble del acoplamiento Elevación trasera
97	817 00 06-12	Tornillo de 3/8-16 x 0,75
98	532 19 52-64	Acoplamiento frontal de la elevación de la cortadora de césped

**NOTA:** Las dimensiones de todos los componentes están expresadas en pulgadas americanas. 1 pulgada = 25,4 mm



**TRACTOR - MODELO NO. GT54LS (96043017900), PROD. NO. 960 43 01-79  
ENSAMBLE DEL ASIENTO**



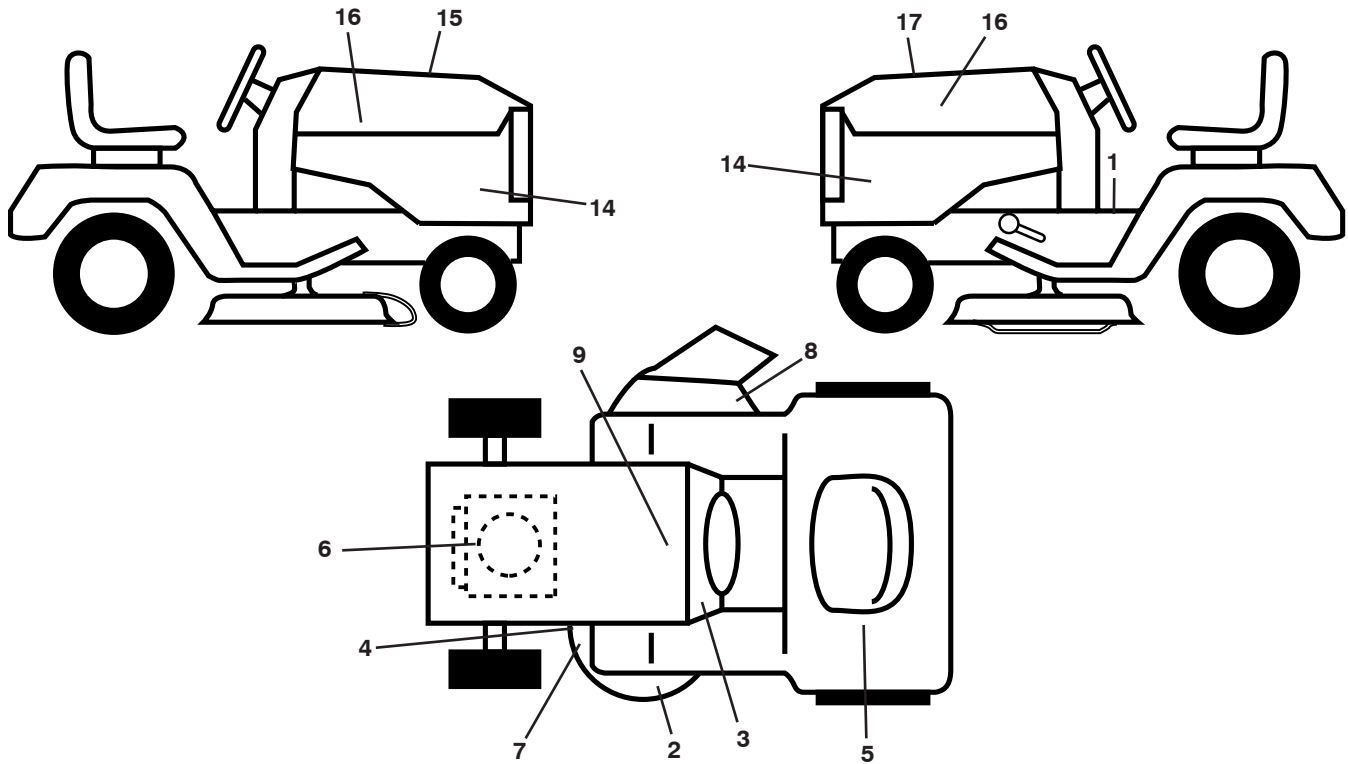
seat-tex\_6.5SL\_3

CÓDIGO No.	PIEZA No.	DESCRIPCIÓN
1	532 44 32-63	Asiento
2	532 18 01-66	Soporte pivotante del guardabarros
3	532 14 06-75	Conector del ensamble del guardabarros
6	873 80 06-00	Tuerca de presión c/aislamiento de 3/8-16 UNC
7	532 12 41-81	Resorte del asiento
8	532 17 18-77	Bolt 5/16-18 unc x 3/4 w/Sems
10	532 19 69-77	Pan, Seat
21	532 17 18-52	Bandeja del asiento

CÓDIGO No.	PIEZA No.	DESCRIPCIÓN
37	873 80 05-00	Tuerca de presión de 5/16-18 UNC
40	532 43 98-71	Manija para deslizar el asiento
41	532 19 82-00	Resorte para trabar el asiento
43	874 76 06-12	Perno de cabeza hexagonal con aleta de 3/8-16 UNC x 3/4
44	819 13 38-12	Arandela de 13/32 x 2-3/8 calibre 12

**NOTA:** Las dimensiones de todos los componentes están expresadas en pulgadas americanas. 1 pulgada = 25,4 mm

**TRACTOR - MODELO NO. GT54LS (96043017900), PROD. NO. 960 43 01-79  
CALCOMANÍAS**



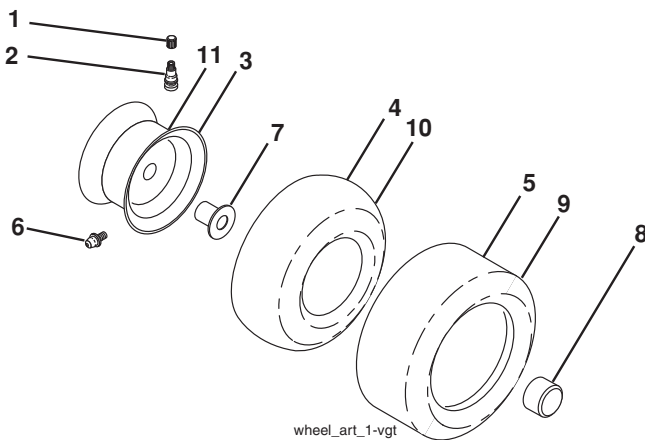
**CÓDIGO PIEZA**

No.	No.	DESCRIPCIÓN
1	581 57 89-01	Calcomanía para el guardabarros del operador
2	585 71 44-01	Calcomanía
3	586 06 62-01	Calcomanía Copo de nieve
4	581 58 00-02	Calcomanía
5	585 38 55-01	Calcomanía para advertencia
6	586 00 07-01	Calcomanía para el motor H.P.
7	581 72 45-02	Calcomanía precaución
8	581 57 95-01	Calcomanía advertencia
9	532 14 50-05	Calcomanía de Peligro/Punto de interconexión

**CÓDIGO PIEZA**

No.	No.	DESCRIPCIÓN
14	581 76 49-01	Calcomanía para el panel lateral
15	532 42 38-29	Calcomanía del cliente
16	581 62 73-01	Calcomanía para la capota
17	586 06 71-01	Calcomanía de reemplazo
--	581 72 48-01	Calcomanía para la desviación
--	532 43 98-82	Forro del apoyo para los pies (LI)
--	532 43 98-81	Forro del apoyo para los pies (LD)
--	586 23 90-49	Manual de Operario (Inglés/Español)
--	586 23 90-27	Manual de Repuestos (Inglés/Español)

**RUEDAS Y NEUMÁTICOS**



**CÓDIGO PIEZA**

No.	No.	DESCRIPCIÓN
1	532 05 91-92	Tapa de la válvula del neumático
2	532 06 51-39	Vástago de la válvula
3	532 18 18-39	Ensamble de las llantas delanteras
4	532 00 81-34	Cámara delantera (Mantenimiento sólo)
5	532 16 10-24	Neumático delantero 16 x 6.5-8
6	532 12 49-57	Accesorio para engrasar (solo para la rueda delantera)
7	532 12 49-59	Rodamiento de la brida (solo para la rueda delantera)
8	532 17 50-39	Tapa del eje
9	532 17 04-53	Neumático trasero 23 x 10.5-12
10	532 00 71-54	Cámara trasera (Mantenimiento sólo)
11	532 14 45-10	Ensamble trasero de la llanta
--	532 14 43-34	Sellador para neumáticos (tubo de 10 onzas [283 gr])

**NOTA:** Las dimensiones de todos los componentes están expresadas en pulgadas americanas. 1 pulgada = 25,4 mm

---

# SERVICE NOTES/AVISO

---

**12/26/2013 BD**