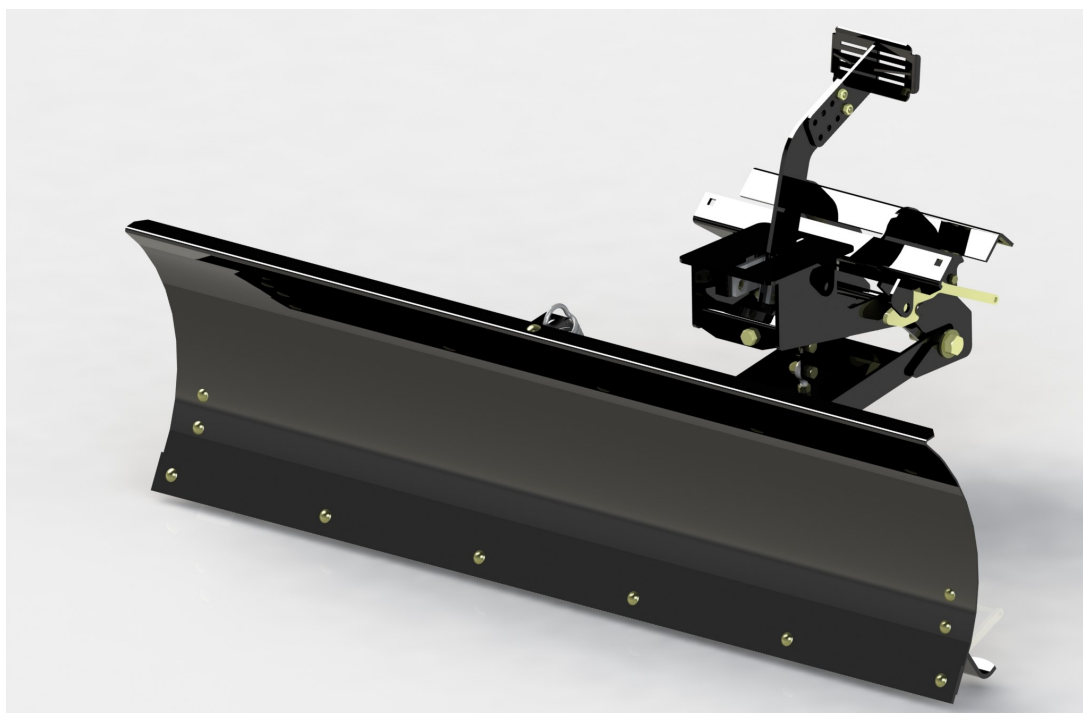


# **OWNER'S MANUAL**

## ***Model Number***

**52" ZTR Snow Plow #585 64 44-01**  
**62" ZTR Snow Plow #585 64 44-02**



## ***52" & 62" ZTR Snow Plow***

- \* ASSEMBLY
- \* OPERATION
- \* REPAIR PARTS
- \* MAINTENANCE

### **CAUTION:**

**READ & FOLLOW ALL SAFETY RULES & INSTRUCTIONS BEFORE  
OPERATING YOUR EQUIPMENT**



# TABLE OF CONTENTS

	PAGE
INTRODUCTION .....	2
SAFETY PRECAUTIONS .....	3
SAFETY DECALS .....	5
ASSEMBLY	
Tools Required .....	6
Step 1: Tractor preparation .....	6
Step 2: Subframe preparation .....	6
Step 3: Subframe installation .....	7
Step 4: Snow plow installation on the push frame .....	9
Step 5: Spring installation .....	9
Step 6: Pedal installation .....	10
Step 7: Snow plow installation on the vehicle .....	10
OPERATION	
Lifting or lowering the snow plow .....	11
Adjusting the angle of the snow plow .....	11
Protection spring .....	11
Adjusting the skid shoes .....	11
Adjusting the pedal .....	11
MAINTENANCE & DISMOUNTING & STORAGE	
Maintenance .....	12
Snow Plow Dismounting .....	12
Storage .....	12
PARTS BREAKDOWN AND PARTS LIST	
Snow plow 700681 .....	13
Snow plow 700682 .....	16
TORQUE SPECIFICATION TABLE .....	19
ACCESSORIES .....	20

# INTRODUCTION

## TO THE PURCHASER

This new accessory was carefully designed to give years of dependable service. This manual has been provided to assist in the safe operation and servicing of your attachment.

**NOTE:** All photographs and illustrations in the manual may not necessarily depict the actual models or attachment, but are intended for reference only and are based on the latest product information available at the time of publication.

Familiarize yourself fully with the safety recommendations and operating procedures before putting the machine to use. Carefully read, understand and follow these recommendations and insist that they be followed by those who will use this attachment.



**THIS SAFETY ALERT SYMBOL IDENTIFIES AN IMPORTANT SAFETY MESSAGE IN THIS MANUAL THAT HELPS YOU AND OTHERS AVOID PERSONAL INJURY OR EVEN DEATH. DANGER, WARNING, AND CAUTION ARE SIGNAL WORDS USED TO IDENTIFY THE LEVEL OF HAZARD. HOWEVER, REGARDLESS OF THE HAZARD, BE EXTREMELY CAREFUL.**

**DANGER:** Signals an extreme hazard that will cause serious injury or death if recommended precautions are not followed.

**WARNING:** Signals a hazard that may cause serious injury or death if the recommended precautions are not followed.

**CAUTION:** Signals a hazard that may cause minor or moderate injury if the recommended precautions are not followed.

Record your attachment serial number and purchase date in the section reserved below (there is no serial number on the subframe). Your dealer requires this information to give you prompt, efficient service when ordering replacement parts. Use only genuine parts when replacements are required.

If warranty repairs are required please present this registration booklet and original sales invoice to your selling dealer for warranty service.

**This manual should be kept for future reference.**

**Please check if you have received all the parts for your kit with the list of the bag and the list of the box.**

**SERIAL NUMBER :**  
(IF APPLICABLE)

\_\_\_\_\_

**MODEL NUMBER:**

\_\_\_\_\_

**PURCHASE DATE :**

\_\_\_\_\_



## SAFETY PRECAUTIONS



Careful operation is your best insurance against an accident. Read this section carefully before operating the vehicle and accessory. This accessory is capable of amputating hands and feet and throwing objects. Failure to observe the following safety instructions could result in serious injury. All operators, no matter how experienced they may be, should read this and other manuals related to the vehicle and accessory before operating. It is the owner's legal obligation to instruct all operators in safe operation of the accessory.

### GLOSSARY:

In this manual, right and left sides are determined by sitting on the seat of the vehicle facing forward.

In this manual, "accessories" means attachments (snowblower, rotary broom, blade etc.) that you install on the vehicle (lawn tractors, A.T.V. s etc).

### TRAINING:



This symbol, "Safety Alert Symbol", is used throughout this manual and on the accessory's safety labels to warn of the possibility of serious injury. Please take special care in reading and understanding the safety precautions before operating the vehicle and accessory.

1. Read this owner's manual carefully. Be thoroughly familiar with the controls and proper use of the vehicle and accessory. Know how to stop the unit and disengage the controls quickly.
2. Never allow children to operate the vehicle nor the accessory. Never allow adults to operate the vehicle nor the accessory without proper instructions.
3. No one should operate the vehicle nor the accessory while intoxicated or while taking medication that impairs the senses or reactions.
4. Keep the area of operation clear of all people, particularly small children and pets.
5. Never start or operate the accessories except from the operator's station on the power unit except if this is impossible.

### PREPARATION:

1. Thoroughly inspect the area where the accessory is to be used and remove door mats, all foreign objects and the like.
2. For motorized accessories, disengage all clutches and shift into neutral before starting engine.
3. Do not operate the accessory without wearing adequate winter outer garments. Avoid loose fitting clothing that can get caught in moving parts. Wear footwear that will improve footing on slippery surfaces.

4. Handle fuel with care, it is highly flammable.

- a) Use approved fuel container.
- b) Never add fuel to a running engine or hot engine.
- c) Fill fuel tank outdoors with extreme care. Never fill fuel tank indoors.
- d) Never fill containers inside a vehicle, or on a truck or a trailer bed with a plastic liner. Always place containers on the ground, away from your vehicle, before filling.
- e) When practical, remove gas-powered equipment from the truck or trailer and refuel it on the ground. If this is not possible, then refuel such equipment on a trailer with a portable container, rather than from a gasoline dispenser nozzle.
- f) Keep the nozzle in contact with the rim of the fuel tank or container opening at all times, until refueling is complete. Do not use a nozzle lock-open device.
- g) Replace fuel cap securely and wipe up spilled fuel.
- h) If fuel is spilled on clothing, change clothing immediately.

5. Never attempt to make any adjustments while the engine (motor) is running (except when specifically recommended by manufacturer).
6. Let the vehicle and accessory adjust to outdoor temperatures before using.
7. Never use an accessory without proper guards, plates, or other safety protective devices in place
8. Always make sure to wear the appropriate safety equipment required (glasses, muffs, mask...) for each type of product. See operation section.
9. Always make sure of having safe traction on the vehicle by using the recommended accessories (chains, A.T.V. tracks, counterweights...). See operation section.
10. Always make sure all components are correctly installed. (driveline securely attached and locked at both ends, belts properly installed...)
11. If applicable, always handle the winch cable with thick leather gloves.
12. **Never modify the accessory or any part without the written consent from the manufacturer.**



## SAFETY PRECAUTIONS



### OPERATION:

1. Do not put hands or feet near, under or inside rotating parts.
2. Exercise extreme caution when operating on or crossing gravel drives, walks or roads. Stay alert for hidden hazards or traffic. Do not carry passengers.
3. After striking a foreign object, stop the engine (motor), disconnect the wire from the spark plug(s) and keep wire away to prevent accidental starting. Thoroughly inspect the accessory for any damage and repair damage before restarting and using the accessory.
4. If the unit should start to vibrate abnormally, stop the engine (motor) and check immediately for the cause. Vibration is generally a warning of trouble.
5. Take all possible precautions when leaving the vehicle unattended. Disengage the power take-off, lower the attachment, place the transmission into neutral, set the parking brake, stop the engine and remove the ignition key.
6. Do not run the engine indoors, except when starting the engine and for transporting in or out of the building. Do not operate or let motor run in a storage area without ventilation because gas contains carbon monoxide which is odorless, colorless and can cause death.
7. Never use the accessories across the face of slopes, go from top to bottom. Exercise extreme caution when using equipment on slopes. Do not attempt to clear a steep slope.
8. Never tolerate bystanders in the working zone. Never use an accessory in the direction of bystanders, it might throw gravel or debris that can hurt people or damage property.
9. Never operate the accessory at high transport speeds on slippery surfaces. Use care when backing up.
10. Do not carry passengers.
11. Disengage power to the accessory when it is transported or not in use.
12. Never operate the accessory without good visibility or light.
13. Keep the accessory away from heat sources or flames.
14. If applicable, never handle the winch cable or hook while in tension.

### MAINTENANCE AND STORAGE

1. When cleaning, repairing or inspecting the vehicle and accessory: stop the engine, set brake, remove ignition key, and wait that all moving parts have stopped. For gasoline engine, disconnect wire from the spark plug(s) and keep wire away to prevent accidental starting.
2. Check all the bolts and components at frequent intervals to make sure that they are properly tightened.
3. Never store a motorized accessory with fuel in the fuel tank inside a building where ignition sources are present such as hot water and space heaters, clothes dryers, and the like. Allow the engine to cool before storing in any enclosure.
4. Always refer to the owner's manual when you store the accessory and vehicle for a prolonged or an unspecified length of time.
5. Maintain or replace safety and instruction labels, as necessary.
6. For winter accessories, (if applicable), let the engine run for a few minutes after clearing snow in order to prevent the rotary parts from freezing.
7. Inspect the vehicle's and accessory's air filter (if applicable) every day. Clean it or replace it as necessary. Change the oil more often when working in dusty conditions. See the vehicle's and accessory's owner's manual.

### TRANSPORT

1. Review Transport Safety instructions in vehicle manual before moving.
2. Check with local authorities regarding transport on public roads. Obey all applicable laws and regulations.
3. Make sure all lights and reflectors that are required by the local highway and transport authorities (example : SMV (Slow Moving Vehicle)) are in place, are clean, and can be seen clearly by all overtaking and oncoming traffic.
4. Never have the equipment in operation during transport.
5. Always travel at a safe speed.

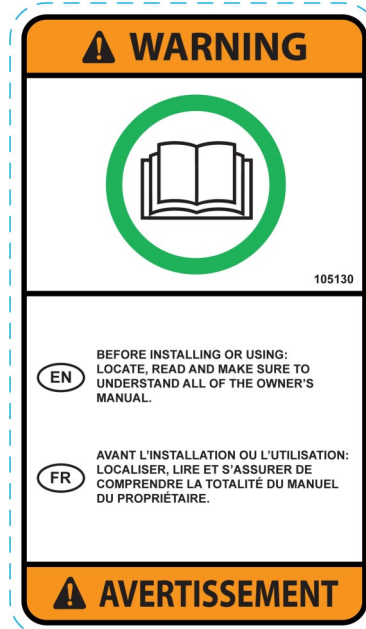


## SAFETY DECALS



REPLACE IF DECALS ARE DAMAGED  
SEE PARTS BREAKDOWN FOR DECAL LOCATION

DECAL #105130



Before installing or using:  
Locate, read and make sure to understand all of the  
owner's manual.

DECAL #105946



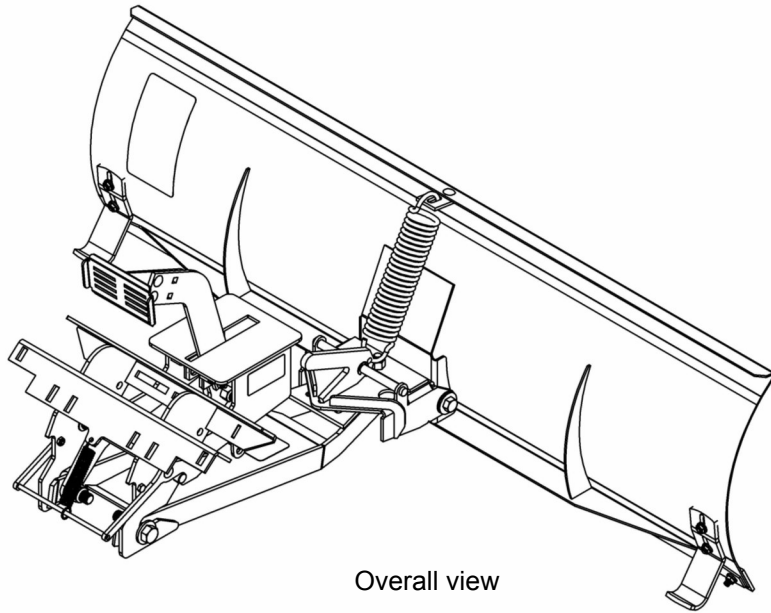
To avoid serious injury:  
Keep all parts of the body away from moving components.  
When dismantling the plow from the tractor never put hands  
between the lifting frame and the push frame.

# ASSEMBLY

## **TOOLS REQUIRED:**

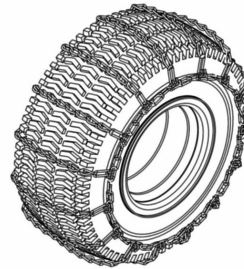
Wrench: 1/2", 9/16", 3/4"  
 Socket: 1/2", 9/16", 3/4"

Note : Always torque bolt per the torque specification table unless noted otherwise.



## **STEP 1:** **TRACTOR PREPARATION:**

Install the tire chains if required.  
 Follow the installation instructions supplied with the kit.

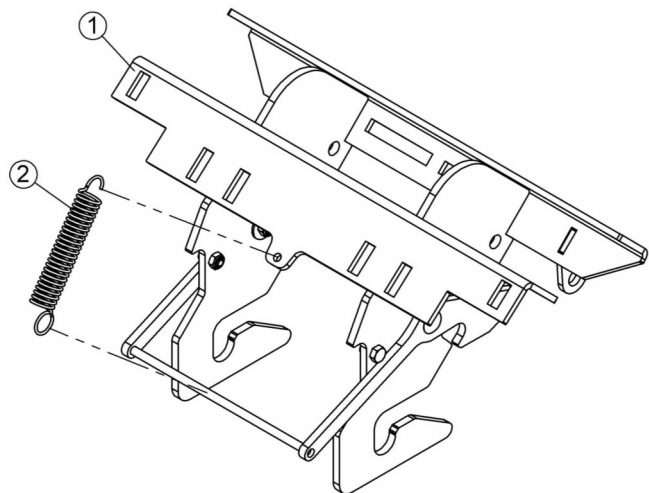


## **STEP 2:** **SUBFRAME PREPARATION:**

Refer to parts breakdown section for identification of the parts.

Install the spring on the assembled subframe.

REF.	ENGLISH DESCRIPTION	QTY.	PART#
1	Subframe assembly	1	-
2	Spring	1	103566



Install the spring on the subframe.

# ASSEMBLY

## **STEP 3: SUBFRAME INSTALLATION:**

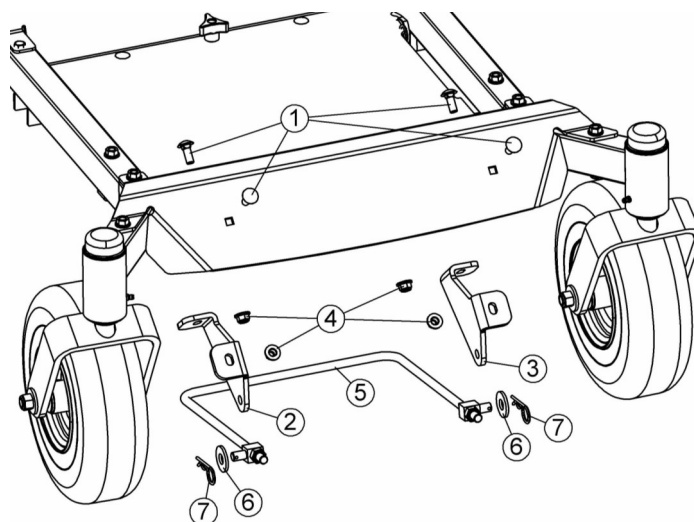
### **TYPE "A" FRAME**

All these parts come from the tractor.

**Refer to the parts breakdown of the tractor for identification of the parts.**

**3.1** Remove the left and right brackets (items 1 & 2) from the tractor, as shown. Put away these brackets and keep the other parts for future use.

REF.	ENGLISH DESCRIPTION	QTY.	PART#
1	Carriage bolt	4	-
2	Right bracket	1	-
3	Left bracket	1	-
4	Hexagonal flange nylon insert nut	4	-
5	Mower support	1	-
6	Flat washer	2	-
7	Hairpin	2	-



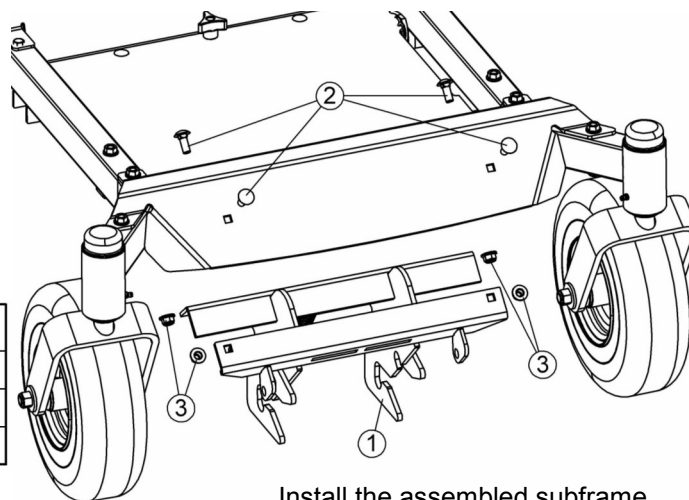
Remove the brackets from the vehicle

**3.2** Install the assembled subframe on the vehicle as shown.

Use the bolts and nuts removed in the previous step.

Extra bolts, nuts and washers are supplied with this kit. Use if needed.

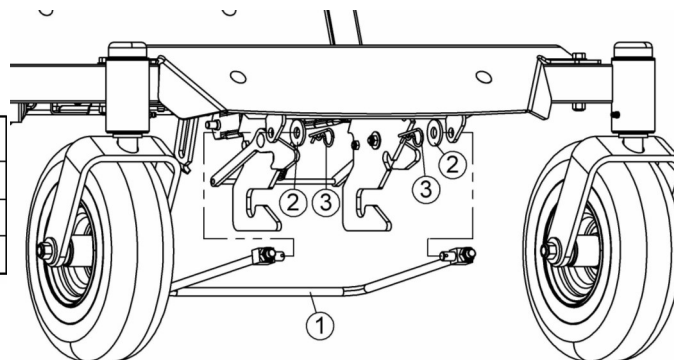
REF.	ENGLISH DESCRIPTION	QTY.	PART#
1	Subframe assembly	1	-
2	Carriage bolt	4	-
3	Hexagonal flange nylon insert nut	4	-



Install the assembled subframe.

**3.3** Reinstall the mower bracket (item 1) by making sure to place the pins towards the inside.

REF.	ENGLISH DESCRIPTION	QTY.	PART#
1	Mower support	1	-
2	Flat washer	2	-
3	Hairpin	2	-



Reinstall the mower bracket.



# ASSEMBLY

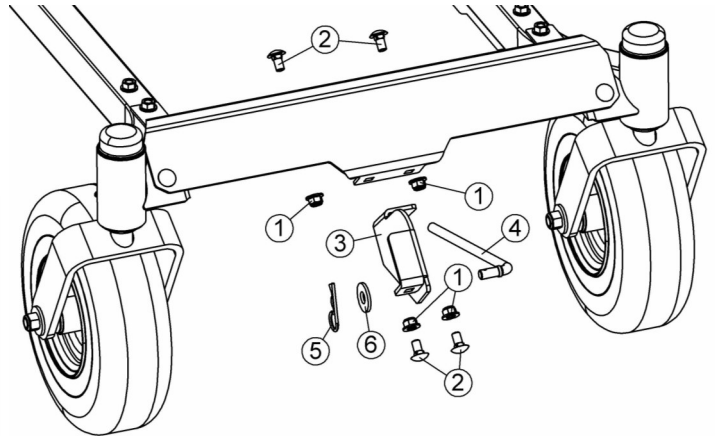
## TYPE "B" FRAME

All these parts come from the tractor.

**Refer to the parts breakdown of the tractor for identification of the parts.**

**3.1** Remove bracket (item 3) from the tractor as shown. Put away this bracket and keep the other parts for future use. Memorize the orientation of the mower support (item 4).

REF.	ENGLISH DESCRIPTION	QTY.	PART#
1	Hexagonal flange nylon insert nut	4	-
2	Carriage bolt	4	-
3	Bracket	1	-
4	Mower support	1	-
5	Hairpin	1	-
6	Flat washer	1	-



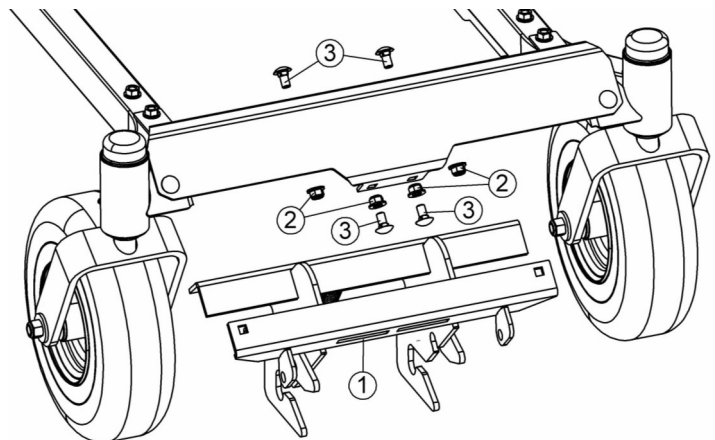
Remove the bracket from the vehicle.

**3.2** Install the assembled subframe on the vehicle as shown.

Use the bolts and nuts removed in the previous step.

Extra bolts, nuts and washers are supplied with this kit. Use if needed.

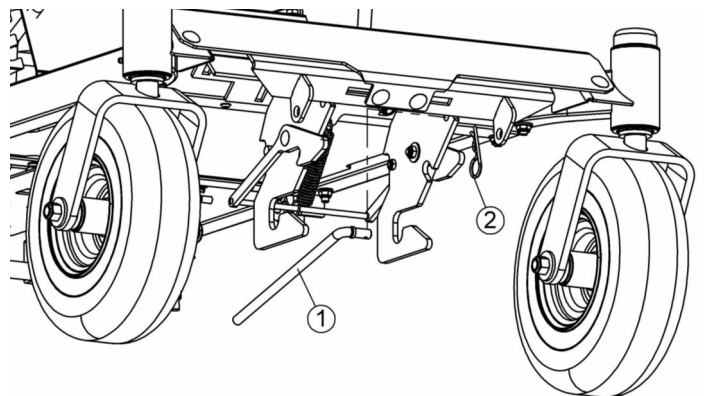
REF.	ENGLISH DESCRIPTION	QTY.	PART#
1	Subframe assembly	1	-
2	Hexagonal flange nylon insert nut	4	-
3	Carriage bolt	4	-



Install the assembled subframe.

**3.3** Reinstall the mower bracket (item 1), as shown, without the flat washer, on the subframe that was previously installed.

REF.	ENGLISH DESCRIPTION	QTY.	PART#
1	Mower support	1	-
2	Hairpin	1	-



Reinstall the mower bracket.

Note: On some tractor models, there is an interference between the original hairpin of the mower support and the subframe latch when the latch is open. If this is the case, use the hairpin 102430 supplied with this kit.

# ASSEMBLY

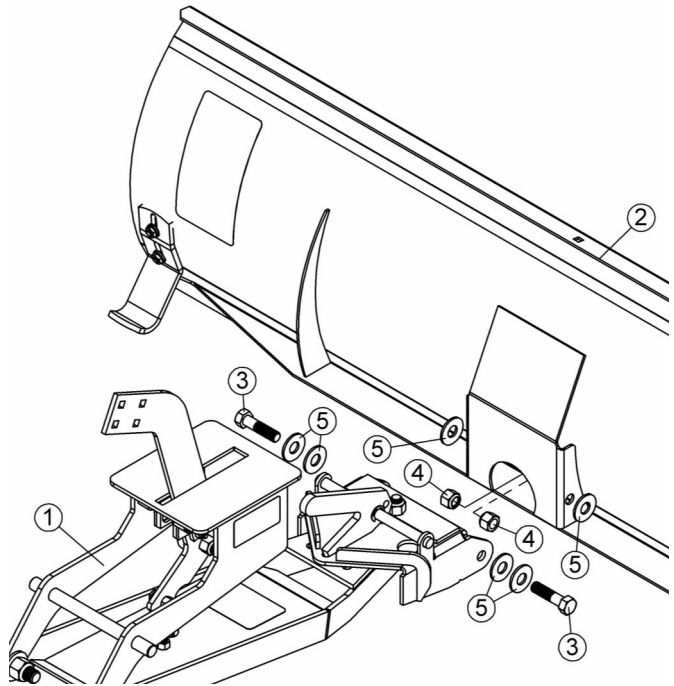
## **STEP 4:** **SNOW PLOW INSTALLATION ON THE** **PUSH FRAME;**

Install the assembled snow plow on the assembled push frame as shown.

Do not over tighten the bolts. The snow plow must be able to rotate freely on the push frame assembly.

REF.	ENGLISH DESCRIPTION	QTY.	PART#
1	Push frame assembly	1	-
2	Plow assembly	1	-
3	Hex. bolt 1/2" n.c. x 2" GR5	2	O/L
4	Nylon Insert lock Nut 1/2" n.c.	2	O/L
5	Flat washer 9/16" hole	6	O/L

**O/L**= Parts that are supplied with the kit and can be found locally when a replacement part is required.



Install the assembled plow.

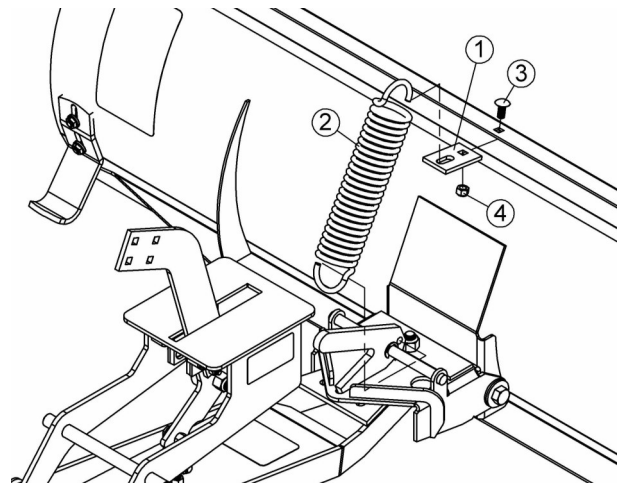
## **STEP 5:** **SPRING INSTALLATION**

Insert the spring (item 2) in the hole of the latch and the in the oblong hole of the bracket (item 1), as shown.

Install the bracket (item 1) on the snow plow.

REF.	ENGLISH DESCRIPTION	QTY.	PART#
1	Bracket	1	104865
2	Spring	1	102918
3	Carriage bolt 5/16" n.c. x 3/4 " GR5	1	O/L
4	Nylon Insert lock Nut 5/16" n.c.	1	O/L

**O/L**= Parts that are supplied with the kit and can be found locally when a replacement part is required.



Install the spring.

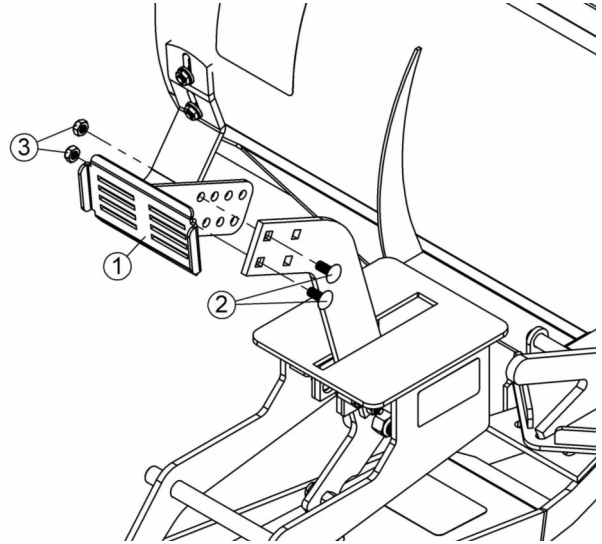
# ASSEMBLY

## STEP 6: PEDAL INSTALLATION:

Install the pedal on the assembled push frame, choose the right holes according to the desired position.

REF.	ENGLISH DESCRIPTION	QTY.	PART#
1	Lift pedal	1	107103
2	Carriage bolt 5/16" n.c. x 3/4 " GR5	2	O/L
3	Nylon insert lock nut 5/16" n.c. (thin)	2	O/L

**O/L**= Parts that are supplied with the kit and can be found locally when a replacement part is required.

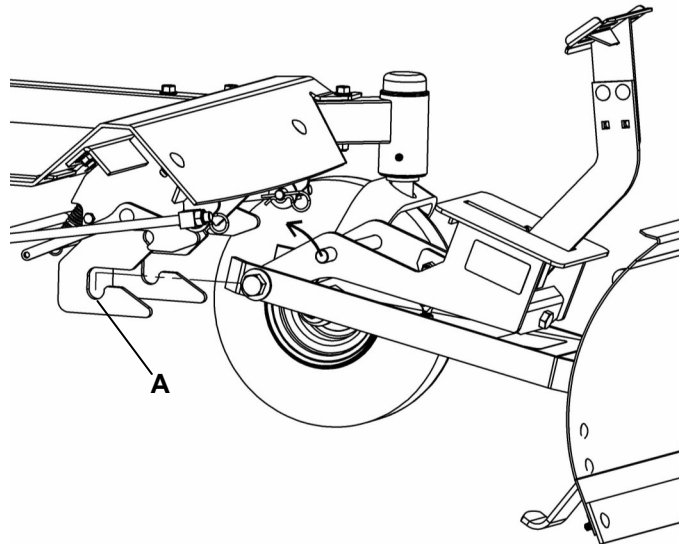


Install the pedal.

# INSTALLATION

## STEP 7: SNOW PLOW INSTALLATION ON THE VEHICLE:

Insert the assembled push frame in the assembled subframe in the place indicated as (A), then lift the top part of the push frame until it is locked in to place by the latch.



Install the plow.



## WARNING



### TO PREVENT INJURIES:

Stop the motor.  
Apply parking brake.  
Remove the ignition key.  
Disconnect the wire from the spark plug(s) and keep away from spark plug(s) to prevent accidental starting.

## OPERATION



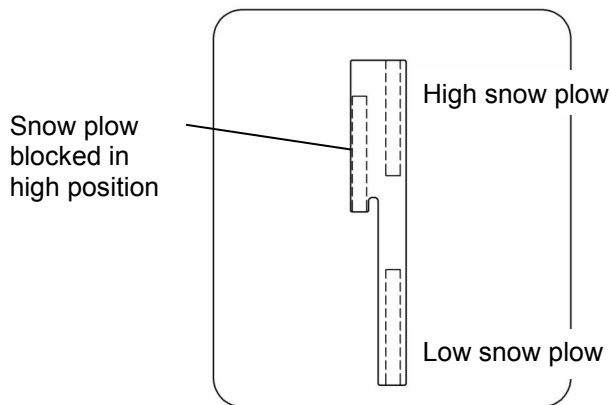
### WARNING



Read the tractor Owner's Manual carefully. Be thoroughly familiar with the controls & proper use of the attachment.

### LIFTING OR LOWERING THE SNOW PLOW:

Familiarize yourself with the pedal.  
Lift and lower the snow plow by pushing on the pedal.



### ADJUSTING THE ANGLE OF THE SNOW PLOW

Lift the latch on the push frame to unlock the plow, then pivot the snow plow to the desired position. Make sure the snow plow is well locked into place.

### ADJUSTING THE PEDAL

See step 5.

### TRIP SPRING SYSTEM:

The snow plow is designed to tumble forward when it hits a solid object. Once the snow plow has cleared the obstacle, it will come back to its normal operating position therefore protecting the operator and the vehicle from shocks that could take place.

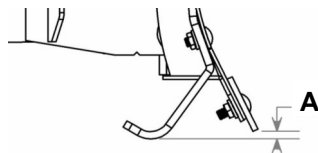
### TIRE CHAINS:

We recommend the use of tire chains or tire cable chains to ensure good performance of the product.

### VERIFY SKID SHOE ADJUSTMENT:

LEVEL PAVED SURFACE: Adjust skid shoes to allow 3/16" to 1/4" or 5mm to 7mm clearance (A) between cutting edge and surface.

UNEVEN OR GRAVEL SURFACE: Adjust skid shoes to allow 1/2" to 5/8" or 13mm to 16mm clearance (A) between cutting edge and surface.



## MAINTENANCE & DISMOUNTING & STORAGE

Refer to parts breakdown section for parts identification.



### WARNING



#### **TO PREVENT INJURIES:**

**Stop the motor.**

**Apply parking brake.**

**Remove the ignition key.**

**Disconnect the wire from the spark plug(s) and keep away from spark plug(s) to prevent accidental starting.**

#### **MAINTENANCE:**

- a) Verify the mounting bolts at frequent intervals for proper tightness in order to prevent costly repairs. Make sure that your equipment is in safe working condition.
- b) Lubricate all pivoting points.



### CAUTION



#### **TO PREVENT INJURIES:**

When dismantling the snow plow from the tractor never put hands between the lifting frame and the push frame.

#### **SNOW PLOW DISMOUNTING:**

Follow step 6, inverse operation order, unlocking the latch.

#### **STORAGE**

- a) Clean thoroughly and repaint all parts from which paint has worn.
- b) List the replacement parts that will be needed to be replaced before the next season.
- c) Store the snow plow in a dry place.



## PARTS LIST

### SNOW PLOW 585 64 44-01

Ref. Réf.	English description	Description française	Qty. Qté.	Part # Pièce #
1	Lifting frame	Châssis de relevage	1	107099
2	Subframe	Sous-châssis	1	107100
3	Push frame	Châssis de poussée	1	107101
4	Latch	Loquet	1	107102
5	Lift pedal	Pédale de relevage	1	107103
6	Pedal support	Support de pédale	1	107104
7	Latch rod	Tige du loquet	1	107105
8	Latch	Loquet	1	107106
9	Link	Lien	1	107107
10	Sleeve	Douille	4	107108
11	Slide plate	Plaque de glissement	2	107109
12	Slide plate	Plaque de glissement	1	107110
13	Slide plate	Plaque de glissement	1	107111
14	Plow 52"	Lame 52"	1	107112
15	Cutting edge 52"	Racloir 52"	1	107113
16	Attaching frame	Châssis d'attache	1	104861
17	Rod end	Embout	1	106171
18	Rod end	Embout	1	104805
19	Skid shoe	Patin	2	102227
20	Bracket	Fixation	1	104865
21	Sleeve	Douille	1	102909
22	Spring	Ressort	1	103566
23	Spring	Ressort	1	102918
24	Retaining ring	Bague de retenue	2	102377
25	Hair pin 2mm	Goupille à ressort 2mm	1	102430
26	Hex. bolt 1/4" n.c. x 1/2" GR5	Boulon hex. 1/4" n.c. x 1/2" GR5	2	O/L
27	Hex. bolt 1/4" n.c. x 1 1/4" GR5	Boulon hex. 1/4" n.c. x 1 1/4" GR5	2	O/L
28	Hex. bolt 3/8" n.c. x 1 1/4" GR5	Boulon hex. 3/8" n.c. x 1 1/4" GR5	2	O/L
29	Hex. bolt 1/2" n.c. x 2" GR5	Boulon hex. 1/2" n.c. x 2" GR5	3	O/L
30	Hex. bolt 1/2" n.c. x 3" GR5	Boulon hex. 1/2" n.c. x 3" GR5	1	O/L

**O/L = Obtenir Localement**

## PARTS LIST

### SNOW PLOW 585 64 44-01

Ref. Réf.	English description	Description française	Qty. Qté.	Part # Pièce #
31	Hex. bolt 5/8" n.c. x 2 1/2" GR5	Boulon hex 5/8" n.c. x 2 1/2" GR5	2	O/L
32	Hex. bolt 1/2" n.f. x 1 1/4" GR8	Boulon hex 1/2" n.f. x 1 1/4" GR8	1	O/L
33	Hex socket f.h. cap screw 1/4" n.c. x 3/4"	Vis à tête fraisée à 6PC 1/4" n.c. x 3/4"	4	O/L
34	Carriage bolt 5/16" n.c. x 3/4 " GR5	Boulon à carrosserie 5/16" n.c. x 3/4 " GR5	13	O/L
35	Carriage bolt 5/16" n.c. x 1 " GR5	Boulon à carrosserie 5/16" n.c. x 1 " GR5	2	O/L
36	Carriage bolt 3/8" n.c. x 1 " GR5	Boulon à carrosserie 3/8" n.c. x 1 " GR5	4	O/L
37	Hex. nut 3/8" n.f.	Écrou hex. 3/8" n.f.	1	O/L
38	Stover lock nut 5/16" n.c.	Écrou de blocage 5/16" n.c.	6	O/L
39	Flange nut 5/16" n.c.	Écrou à bride 5/16" n.c.	4	O/L
40	Nylon Insert lock Nut 1/4" n.c.	Écrou à garniture de nylon 1/4" n.c.	6	O/L
41	Nylon Insert lock Nut 5/16" n.c.	Écrou à garniture de nylon 5/16" n.c.	1	O/L
42	Nylon Insert lock Nut 3/8" n.c.	Écrou à garniture de nylon 3/8" n.c.	6	O/L
43	Nylon insert lock nut 3/8" n.f.	Écrou garniture de nylon 3/8" n.f.	1	O/L
44	Nylon Insert lock Nut 1/2" n.c.	Écrou à garniture de nylon 1/2" n.c.	4	O/L
45	Nylon Insert lock Nut 5/8" n.c.	Écrou à garniture de nylon 5/8" n.c.	2	O/L
46	Nylon insert lock nut 1/4" n.c. (thin)	Écrou à garniture de nylon 1/4" n.c. (mince)	2	O/L
47	Nylon insert lock nut 5/16" n.c. (thin)	Écrou à garniture de nylon 5/16" n.c. (mince)	4	O/L
48	Flat washer 3/8" hole	Rondelle plate 3/8" trou	4	O/L
49	Flat washer 7/16" hole	Rondelle plate 7/16" trou	5	O/L
50	Flat washer 9/16" hole	Rondelle plate 9/16" trou	7	O/L
51	Flat washer 11/16" hole	Rondelle plate 11/16" trou	4	O/L
52	Decal read instructions	Decalque lire instructions	1	105130
53	Decal pinch point	Décalque point de pincement	1	105946
54	Serial number	Numéro de série	1	REF





## PARTS LIST

### SNOW PLOW 585 64 44-02

Ref. Réf.	English description	Description française	Qty. Qté.	Part # Pièce #
1	Lifting frame	Châssis de relevage	1	107099
2	Subframe	Sous-châssis	1	107100
3	Push frame	Châssis de poussée	1	107101
4	Latch	Loquet	1	107102
5	Lift pedal	Pédale de relevage	1	107103
6	Pedal support	Support de pédale	1	107104
7	Latch rod	Tige du loquet	1	107105
8	Latch	Loquet	1	107106
9	Link	Lien	1	107107
10	Sleeve	Douille	4	107108
11	Slide plate	Plaque de glissement	2	107109
12	Slide plate	Plaque de glissement	1	107110
13	Slide plate	Plaque de glissement	1	107111
14	Attaching frame	Châssis d'attache	1	104861
15	Rod end	Embout	1	106171
16	Rod end	Embout	1	104805
17	Plow 62"	Lame 62"	1	107097
18	Cutting edge 62"	Racloir 62"	1	107098
19	Skid shoe	Patin	2	102227
20	Bracket	Fixation	1	104865
21	Sleeve	Douille	1	102909
22	Spring	Ressort	1	103566
23	Spring	Ressort	1	102918
24	Retaining ring	Bague de retenue	2	102377
25	Hair pin 2mm	Goupille à ressort 2mm	1	102430
26	Hex. bolt 1/4" n.c. x 1/2" GR5	Boulon hex. 1/4" n.c. x 1/2" GR5	2	O/L
27	Hex. bolt 1/4" n.c. x 1 1/4" GR5	Boulon hex. 1/4" n.c. x 1 1/4" GR5	2	O/L
28	Hex. bolt 3/8" n.c. x 1 1/4" GR5	Boulon hex. 3/8" n.c. x 1 1/4" GR5	2	O/L
29	Hex. bolt 1/2" n.c. x 2" GR5	Boulon hex. 1/2" n.c. x 2" GR5	3	O/L
30	Hex. bolt 1/2" n.c. x 3" GR5	Boulon hex. 1/2" n.c. x 3" GR5	1	O/L

## PARTS LIST

### SNOW PLOW 585 64 44-02

Ref. Réf.	English description	Description française	Qty. Qté.	Part # Pièce #
31	Hex. bolt 5/8" n.c. x 2 1/2" GR5	Boulon hex 5/8" n.c. x 2 1/2" GR5	2	O/L
32	Hex. bolt 1/2" n.f. x 1 1/4" GR8	Boulon hex 1/2" n.f. x 1 1/4" GR8	1	O/L
33	Hex socket f.h. cap screw 1/4" n.c. x 3/4"	Vis à tête fraisée à 6PC 1/4" n.c. x 3/4"	4	O/L
34	Carriage bolt 5/16" n.c. x 3/4 " GR5	Boulon à carrosserie 5/16" n.c. x 3/4 " GR5	14	O/L
35	Carriage bolt 5/16" n.c. x 1 " GR5	Boulon à carrosserie 5/16" n.c. x 1 " GR5	2	O/L
36	Carriage bolt 3/8" n.c. x 1 " GR5	Boulon à carrosserie 3/8" n.c. x 1 " GR5	4	O/L
37	Hex. nut 3/8" n.f.	Écrou hex. 3/8" n.f.	1	O/L
38	Stover lock nut 5/16" n.c.	Écrou de blocage 5/16" n.c.	7	O/L
39	Flange nut 5/16" n.c.	Écrou à bride 5/16" n.c.	4	O/L
40	Nylon Insert lock Nut 1/4" n.c.	Écrou à garniture de nylon 1/4" n.c.	6	O/L
41	Nylon Insert lock Nut 5/16" n.c.	Écrou à garniture de nylon 5/16" n.c.	1	O/L
42	Nylon Insert lock Nut 3/8" n.c.	Écrou à garniture de nylon 3/8" n.c.	6	O/L
43	Nylon insert lock nut 3/8" n.f.	Écrou garniture de nylon 3/8" n.f.	1	O/L
44	Nylon Insert lock Nut 1/2" n.c.	Écrou à garniture de nylon 1/2" n.c.	4	O/L
45	Nylon Insert lock Nut 5/8" n.c.	Écrou à garniture de nylon 5/8" n.c.	2	O/L
46	Nylon insert lock nut 1/4" n.c. (thin)	Écrou à garniture de nylon 1/4" n.c. (mince)	2	O/L
47	Nylon insert lock nut 5/16" n.c. (thin)	Écrou à garniture de nylon 5/16" n.c. (mince)	4	O/L
49	Flat washer 7/16" hole	Rondelle plate 7/16" trou	5	O/L
50	Flat washer 9/16" hole	Rondelle plate 9/16" trou	7	O/L
51	Flat washer 11/16" hole	Rondelle plate 11/16" trou	4	O/L
52	Decal read instructions	Decalque lire instructions	1	105130
53	Decal pinch point	Décalque point de pincement	1	105946
54	Serial number	Numéro de série	1	REF

# TORQUE SPECIFICATION TABLE

## GENERAL TORQUE SPECIFICATION TABLE USE THE FOLLOWING TORQUES WHEN SPECIAL TORQUES ARE NOT GIVEN

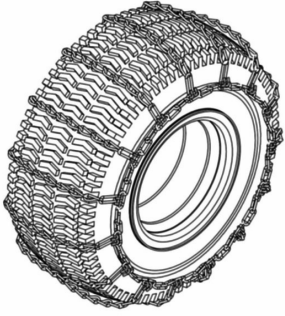
**NOTE:** These values apply to fasteners as received from supplier, dry or when lubricated with normal oil. They do not apply if special graphited or moly disulphide greases or other extreme pressure lubricants are used. This applies to both UNF and UNC threads.

\* Thick nuts must be used with grade 8 bolts

SEE Grade No.		2				5				8 *			
BOLT HEAD IDENTIFICATION MARKS AS PER GRADE NOTE MANUFACTURING MARKS WILL VARY		TORQUE				TORQUE				TORQUE			
BOLT SIZE		FOOT POUNDS		NEWTON-METERS		FOOT POUNDS		NEWTON-METERS		FOOT POUNDS		NEWTON-METERS	
Inches	Millimetre	Min.	Max.	Min.	Max.	Min.	Max.	Min.	Max.	Min.	Max.	Min.	Max.
1/4"	6.35	5	6	6.8	8.13	9	11	12.2	14.9	12	15	16.3	30.3
5/16"	7.94	10	12	13.6	16.3	17	20.5	23.1	27.8	24	29	32.5	39.3
3/8"	9.53	20	23	27.1	31.2	35	42	47.5	57	45	54	61	73.2
7/16"	11.11	30	35	40.7	47.4	54	64	73.2	86.8	70	84	94.9	113.9
1/2"	12.7	45	52	61	70.5	80	96	108.5	130.2	110	132	149.2	179
9/16"	14.29	65	75	88.1	101.6	110	132	149.2	179	160	192	217	260.4
5/8"	15.88	95	105	128.7	142.3	150	180	203.4	244.1	220	264	298.3	358
3/4"	19.05	150	185	203.3	250.7	270	324	366.1	439.3	380	456	515.3	618.3
7/8"	22.23	160	200	216.8	271	400	480	542.4	650.9	600	720	813.6	976.3
1"	25.4	250	300	338.8	406.5	580	696	786.5	943.8	900	1080	1220.4	1464.5

METRIC BOLT TORQUE SPECIFICATIONS							
		COARSE THREAD			FINE THREAD		
Size Screw	Grade No.	Pitch (mm)	Foot Pounds	Newton-Meters	Pitch (mm)	Foot Pounds	Newton-Meters
M6	4T	1.00	3.6 - 5.8	4.9 - 7.9	-	-	-
	7T		5.8 - 9.4	7.9 - 12.7		-	-
	8T		7.2 - 10	9.8 - 13.6		-	-
M8	4T	1.25	7.2 - 14	9.8 - 19	1.00	12 - 17	16.3 - 23
	7T		17 - 22	23 - 29.8		19 - 27	25.7 - 36.6
	8T		20 - 26	27.1 - 35.2		22 - 31	29.8 - 42
M10	4T	1.50	20 - 25	27.1 - 33.9	1.25	20 - 29	27.1 - 39.3
	7T		34 - 40	46.1 - 54.2		35 - 47	47.4 - 63.7
	8T		38 - 46	51.5 - 62.3		40 - 52	54.2 - 70.5
M12	4T	1.75	28 - 34	37.9 - 46.1	1.25	31 - 41	42 - 55.6
	7T		51 - 59	69.1 - 79.9		56 - 68	75.9 - 92.1
	8T		57 - 66	77.2 - 89.4		62 - 75	84 - 101.6
M14	4T	2.00	49 - 56	66.4 - 75.9	1.50	52 - 64	70.5 - 86.7
	7T		81 - 93	109.8 - 126		90 - 106	122 - 143.6
	8T		96 - 109	130.1 - 147.7		107 - 124	145 - 168
M16	4T	2.00	67 - 77	90.8 - 104.3	1.50	69 - 83	93.5 - 112.5
	7T		116 - 130	157.2 - 176.2		120 - 138	162.6 - 187
	8T		129 - 145	174.8 - 196.5		140 - 158	189.7 - 214.1
M18	4T	2.00	88 - 100	119.2 - 136	1.50	100 - 117	136 - 158.5
	7T		150 - 168	203.3 - 227.6		177 - 199	239.8 - 269.6
	8T		175 - 194	237.1 - 262.9		202 - 231	273.7 - 313
M20	4T	2.50	108 - 130	146.3 - 176.2	1.50	132 - 150	178.9 - 203.3
	7T		186 - 205	252 - 277.8		206 - 242	279.1 - 327.9
	8T		213 - 249	288.6 - 337.4		246 - 289	333.3 - 391.6

## ACCESSORIES



**TIRE CHAINS**

**pck. of 2**







*Husqvarna Professional Products, NA, Inc.*  
*9335 Harris Corners Parkway, Suite 500, Charlotte, NC28269*