

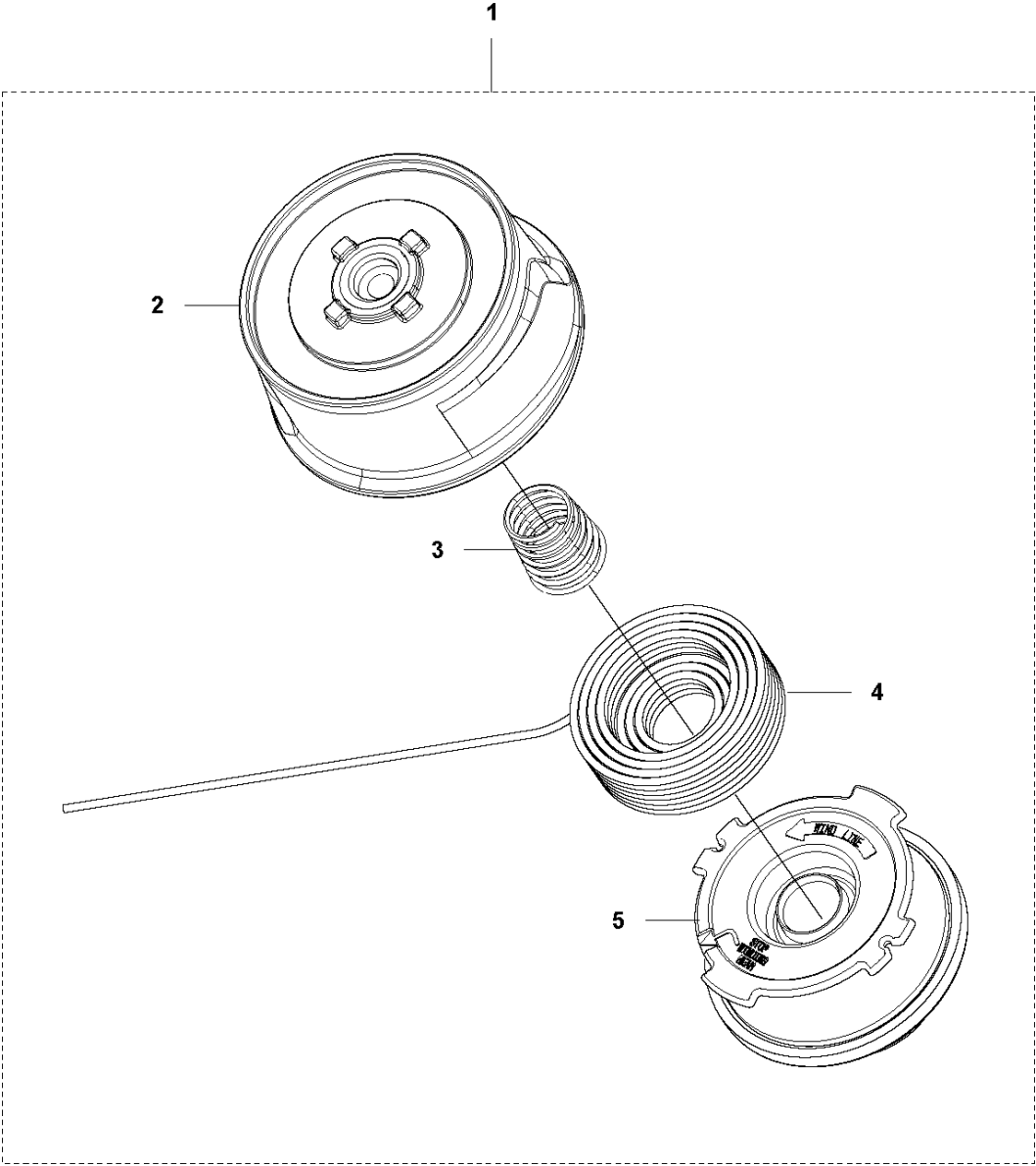


SPARE PARTS LIST

TRIMMERS/EDGERS

136 LiL, 967276401, 2015-03

E 136 LiL
ACCESSORIES

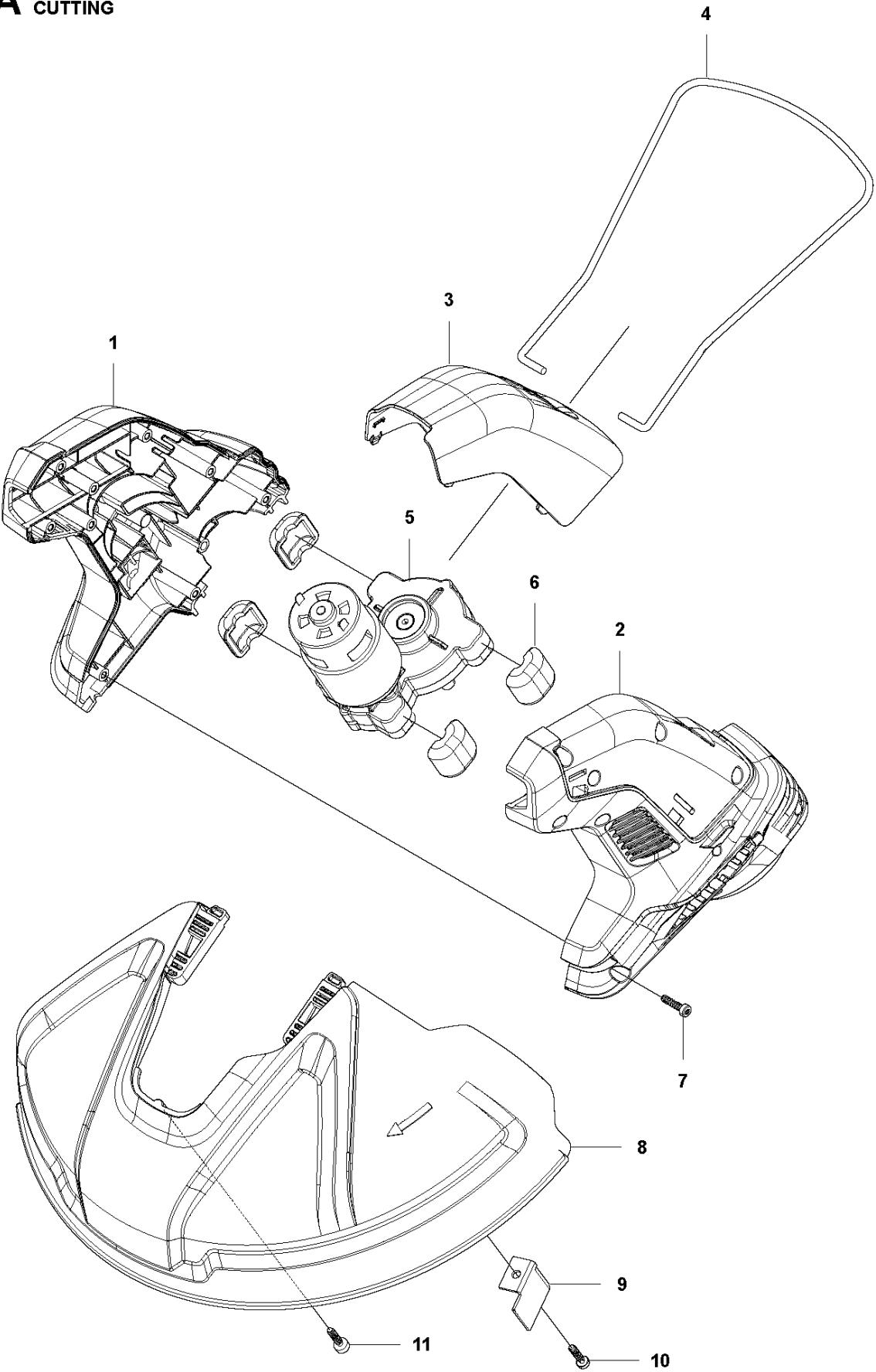


ACCESSORIES

136 LiL, 967276401, 2015-03

Ref	Part No	Description	Remark	QTY	KIT
1	585 34 79-01	HEAD		1	
2	588 72 82-01	HUB		1	1
3	574 47 21-01	SPRING		1	1
4	503 97 95-01	TRIMMER LINE		1	1
5	588 72 84-01	SPOOL		1	1

A 136 LiL
CUTTING

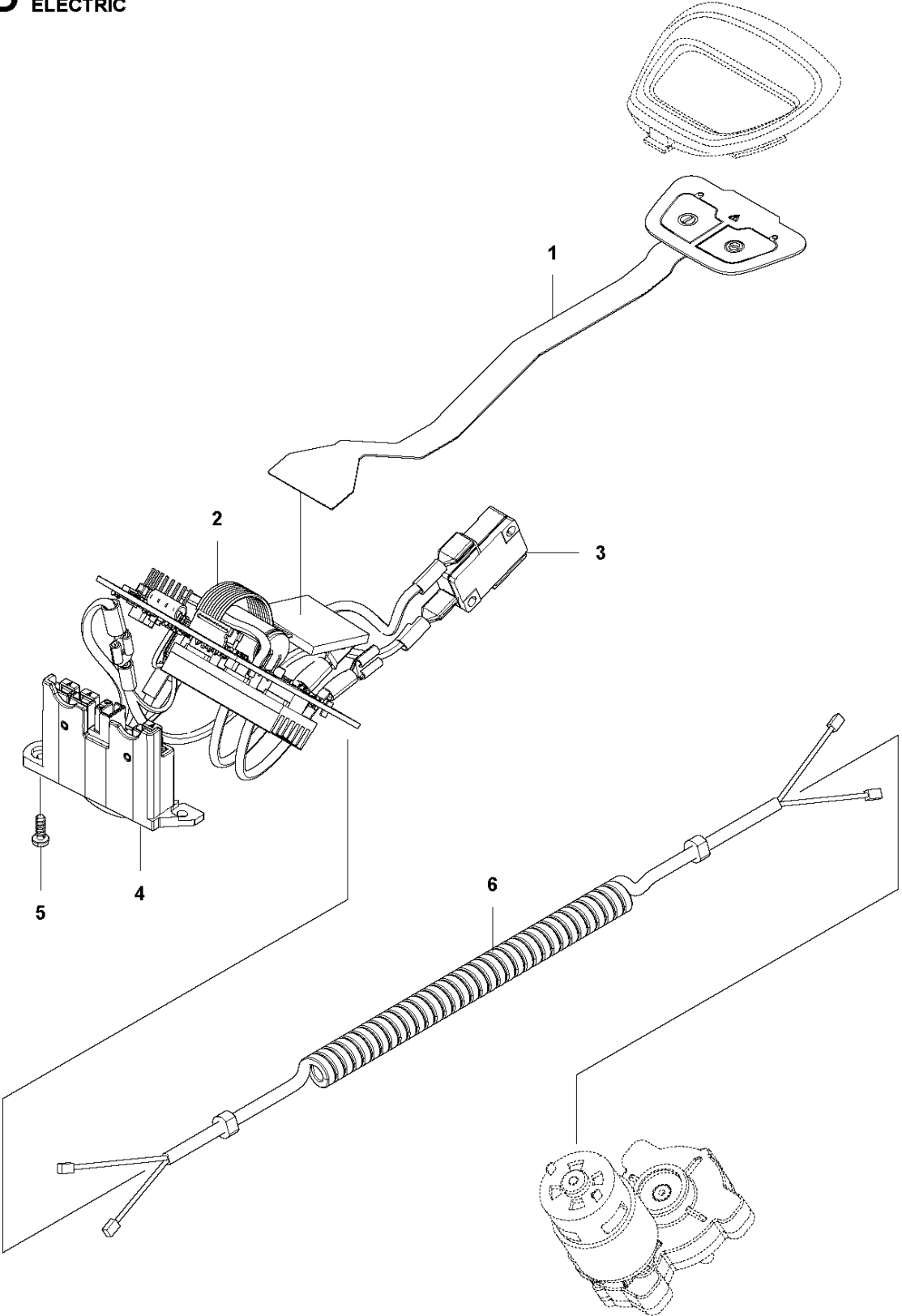


CUTTING EQUIPMENT

136 LiL, 967276401, 2015-03

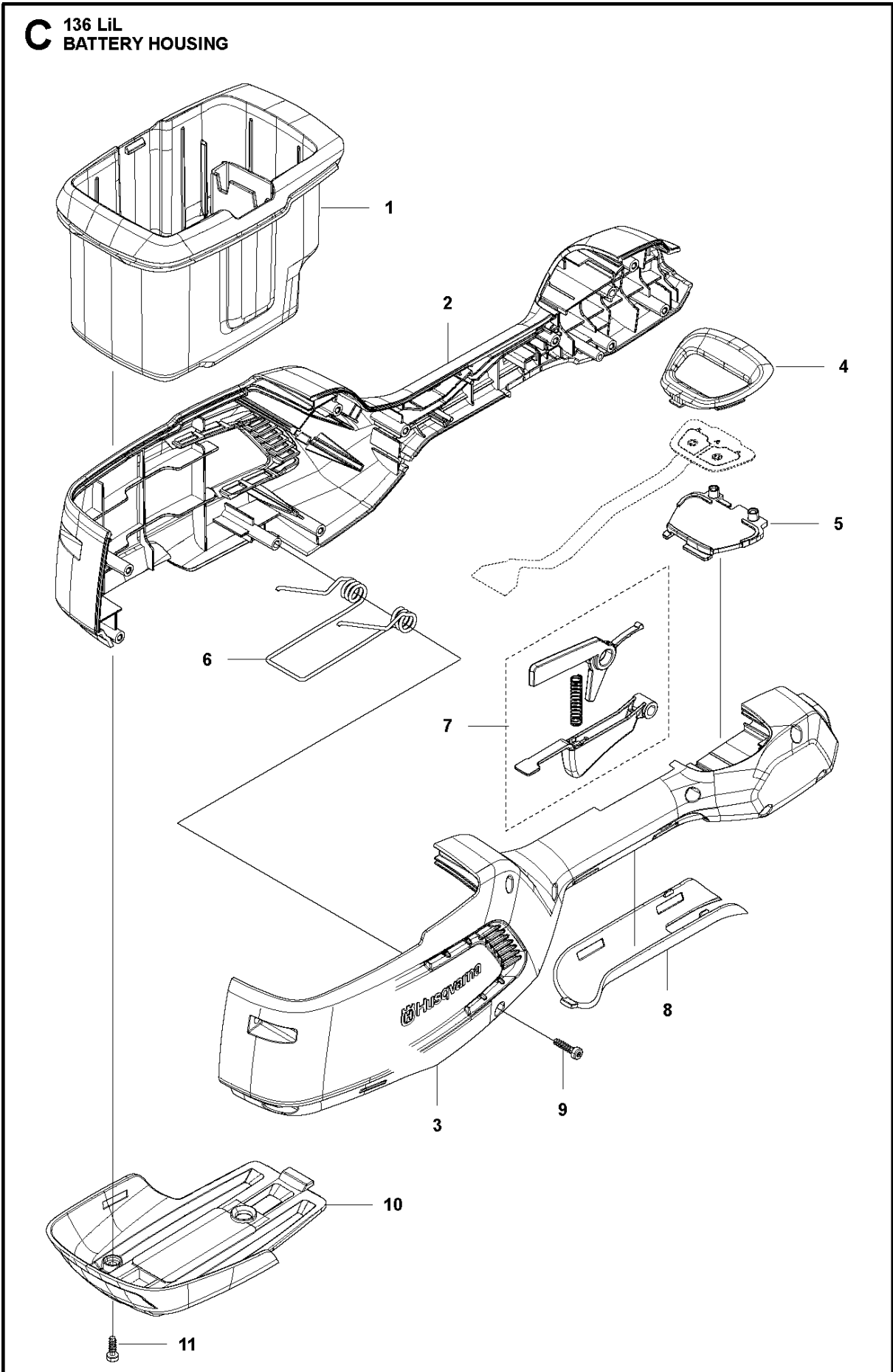
Ref	Part No	Description	Remark	QTY KIT
1	585 32 82-01	HOUSING	Left	1
4	586 48 01-01	RING		1
2	585 32 81-01	HOUSING	Right	1
5	588 72 83-01	GEAR		1
3	585 33 91-01	COVER		1
6	585 87 07-01	PAD		4
7	585 81 90-02	SCREW	ST ⁻ 4*16	9
8	585 33 92-01	GUARD		1
9	585 34 09-01	BLADE		1
10	585 81 90-02	SCREW	ST ⁻ 4*16	1
11	586 03 04-01	SCREW	ST ⁻ 4*16,(Hexagon Sock)	1

D 136 LiL
ELECTRIC



Ref	Part No	Description	Remark	QTY KIT
1	585 59 21-02	KEY PAD		1
2	585 34 25-01	UNIT		1
3	585 59 06-01	MICRO SWITCH		1
4	585 34 23-01	TERMINAL BLOCK		1
5	585 81 89-01	SCREW	ST 3*8	2
6	585 34 29-01	CABLE		1

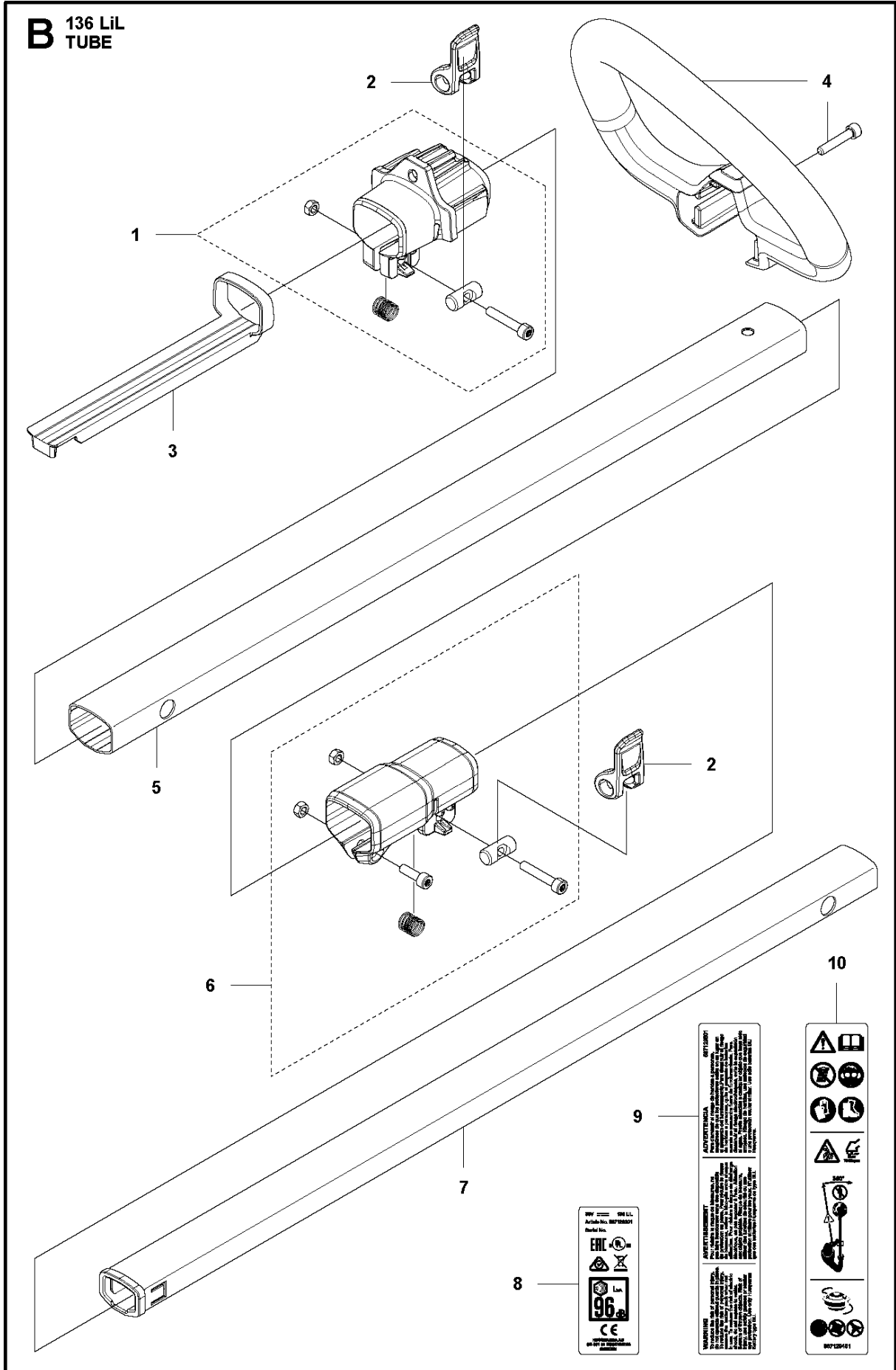
C 136 LiL
BATTERY HOUSING



HOUSING

136 LiL, 967276401, 2015-03

Ref	Part No	Description	Remark	QTY KIT
1	585 32 52-01	COVER		1
2	588 14 61-01	HOUSING	Left	1
3	588 14 60-01	HOUSING	Right	1
4	585 32 73-01	PANEL		1
5	585 86 16-01	SUPPORT		1
6	585 34 24-01	SPRING		1
7	588 75 52-01	TRIGGER		1
8	585 32 72-01	COVER	Rear	1
9	585 81 90-02	SCREW	ST 4*16	9
10	585 32 53-01	PLATE	Back	1
11	585 81 90-01	SCREW	ST 4*12	2



TUBE

136 LiL, 967276401, 2015-03

Ref	Part No	Description	Remark	QTY KIT
1	588 75 49-01	COUPLING		1
2	585 32 79-01	LEVER		1
3	586 45 23-01	SPACER		1
4	588 75 50-01	HANDLE		1
5	585 34 11-01	TUBE		1
6	588 75 51-01	COUPLING		1
7	585 37 03-01	TUBE		1
8	587 12 93-01	LABEL		1
9	587 12 95-01	LABEL	US	1
10	587 12 94-01	LABEL	EU	1