

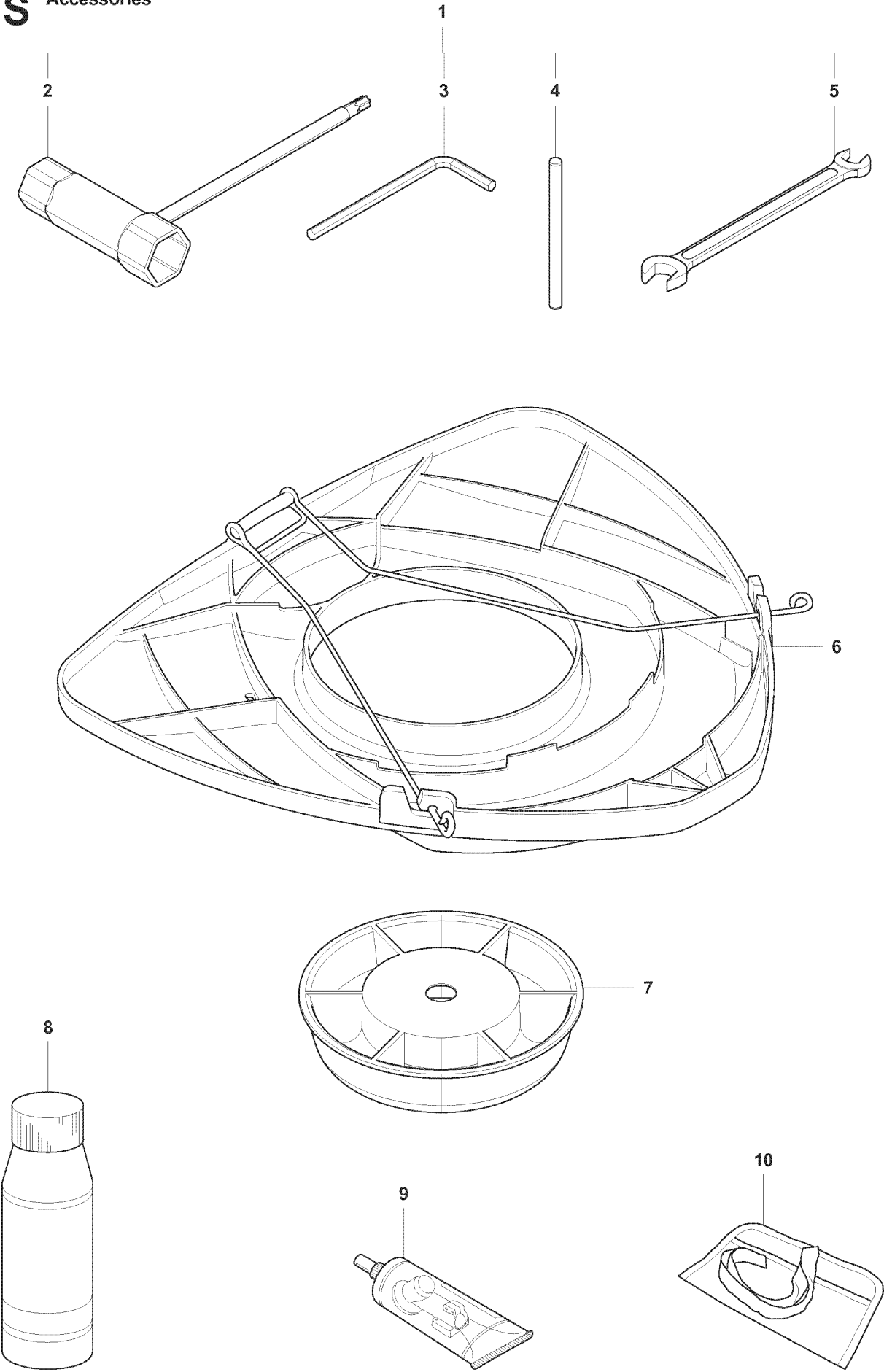


SPARE PARTS LIST

BRUSHCUTTERS/CLEARING SAWS

143 RII, 2008-06

S Accessories

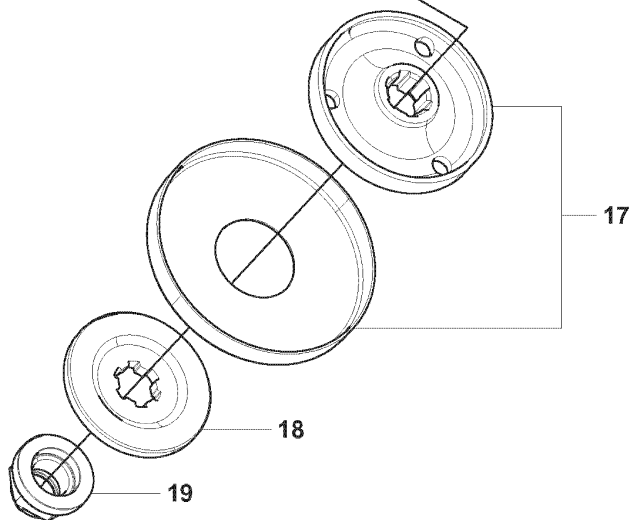
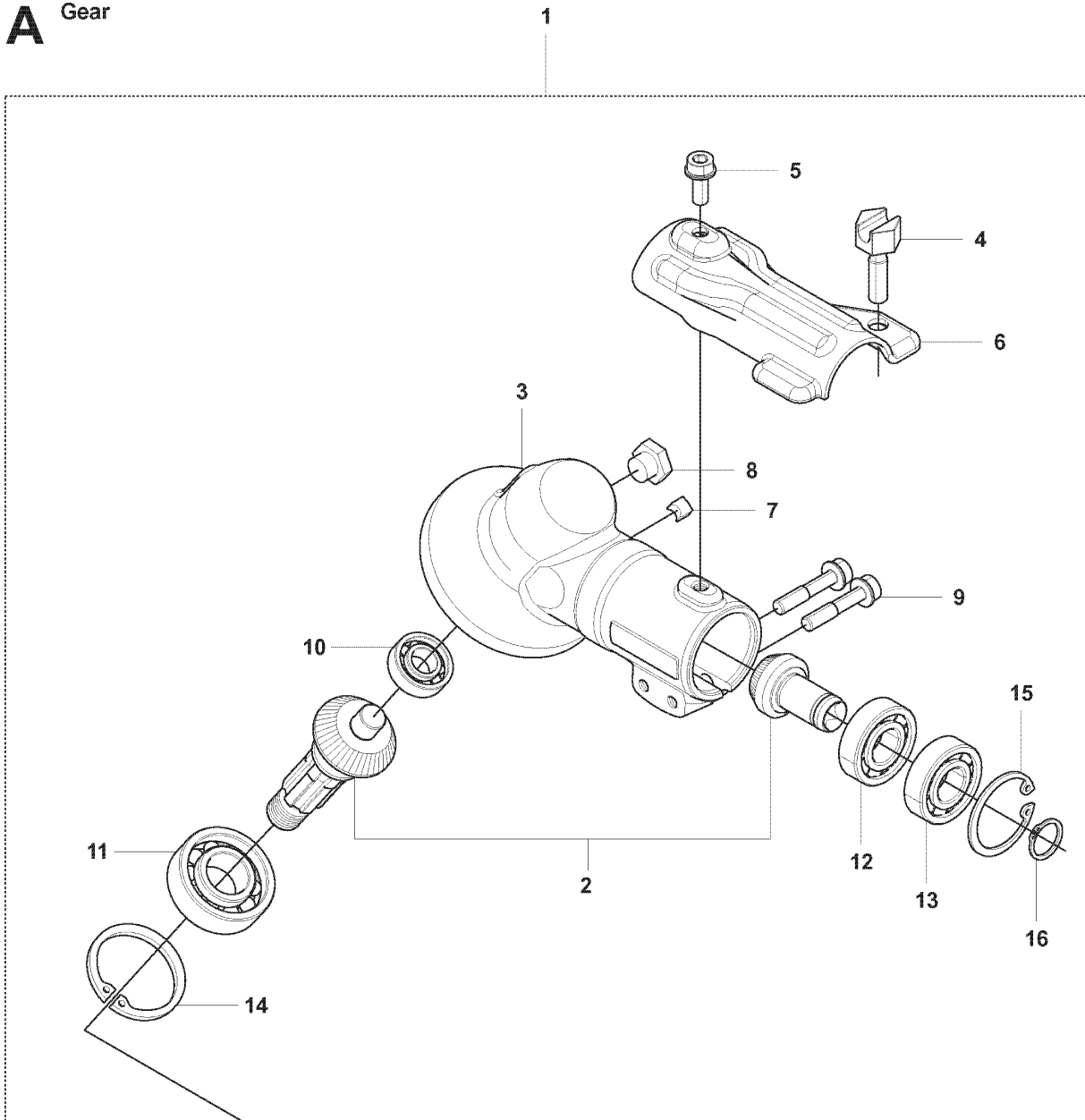


ACCESSORIES

143 RII, 2008-06

Ref	Part No	Description	Remark	QTY	KIT
1	505 31 16-01	TOOL SET		1	
2	505 31 18-01	WRENCH		1	1
3	505 31 19-01	WRENCH		1	1
4	505 31 20-01	TOOL		1	1
5	505 31 23-01	SPANNER		1	1
6	544 35 91-01	TRANSPORT GUARD		1	
7	503 89 01-02	SUPPORT CUP		1	
8	531 00 92-48	FILTER OIL		1	
9	503 97 64-01	GREASE		1	
10	501 19 22-01	TOOL		1	

A Gear

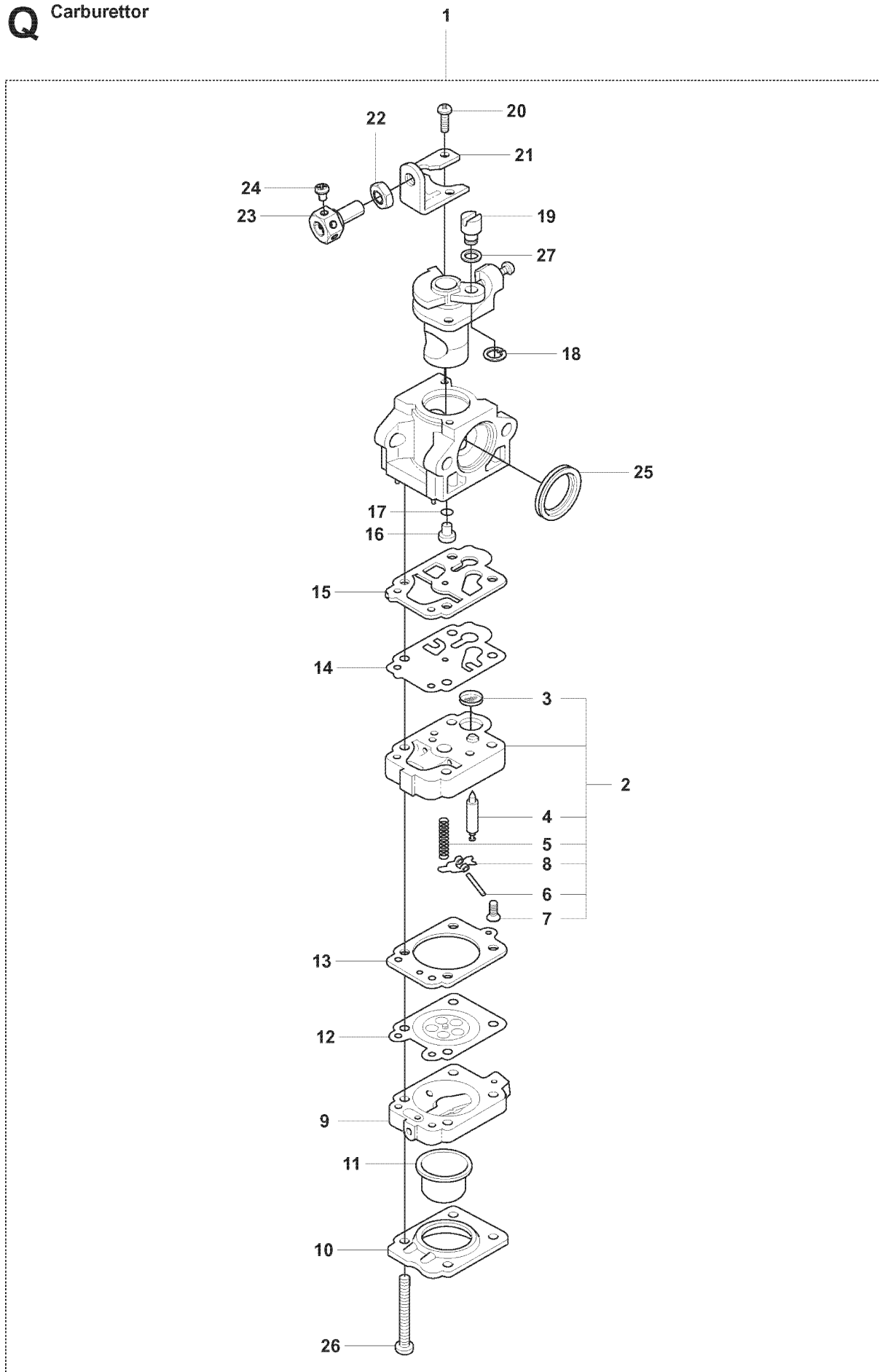


BEVEL GEAR

143 RII, 2008-06

Ref	Part No	Description	Remark	QTY	KIT
1	537 29 58-02	BEVEL GEAR		1	
2	505 13 34-01	SPARE PARTS KIT		1	1
3	537 29 59-01	GEAR HOUSING		1	1
4	537 18 95-01	SCREW		1	1
5	503 20 02-10	SCREW IHSCFM		1	1
6	544 08 76-01	CLAMP		1	1
7	537 14 74-01	MAGNET		1	1
8	503 20 15-01	SCREW IHHM		1	1
9	503 20 03-25	SCREW IHSCFM		2	
10	738 21 99-00	BALL BEARING		1	1
11	503 25 28-01	BALL BEARING		1	1
13	738 21 01-12	BALL BEARING		1	1
14	735 31 31-10	CIRCLIP		1	1
15	735 31 28-10	CIRCLIP		1	1
16	735 31 14-00	CIRCLIP		1	1
17	537 35 14-01	DRIVER		1	
18	537 34 35-01	SUPPORT FLANGE		1	
19	502 29 11-01	BLADE		1	

Q Carburettor

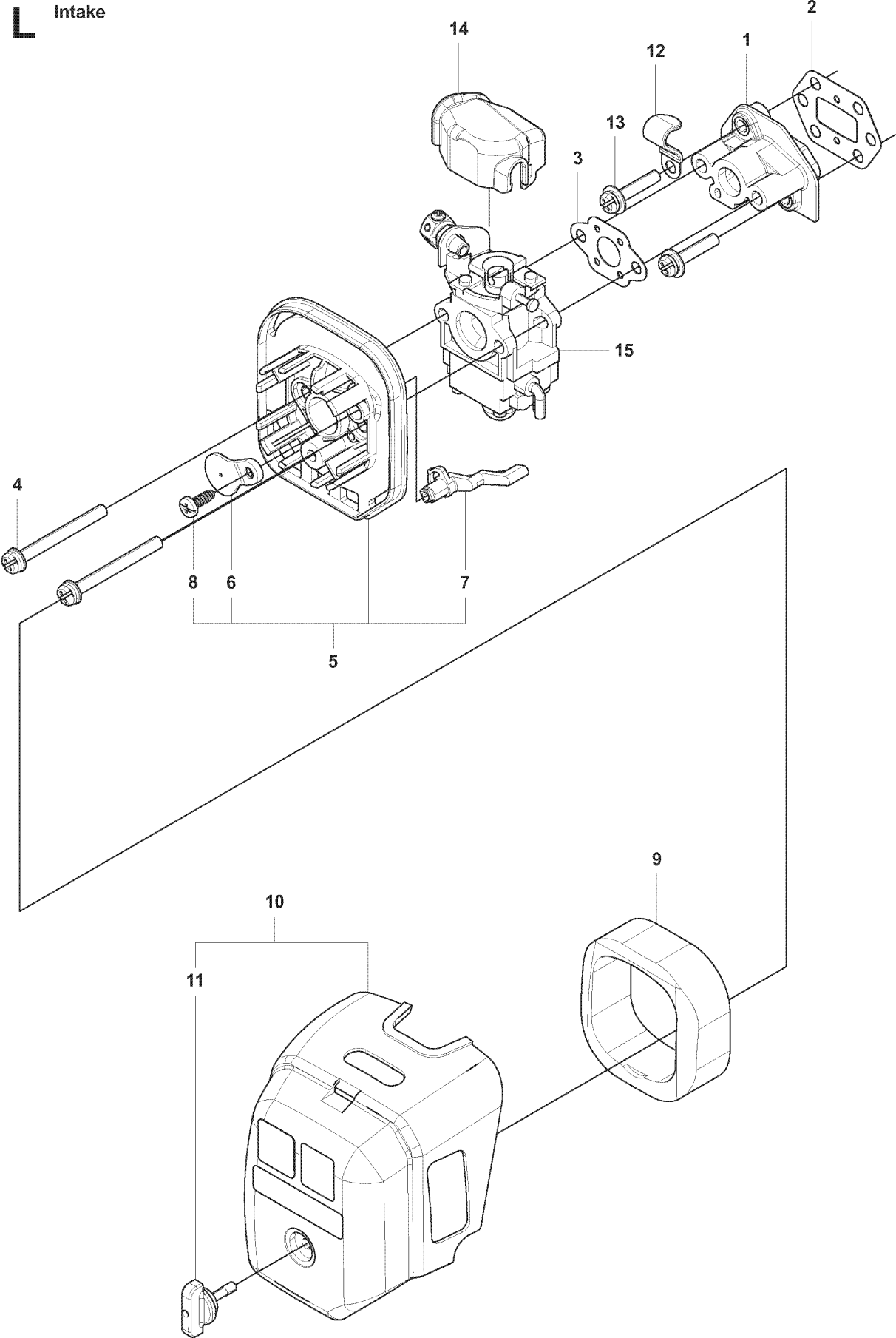


CARBURETOR

143 RII, 2008-06

Ref	Part No	Description	Remark	QTY KIT
1	505 30 53-01	CARBURETOR		
2	505 30 54-01	BODY		
3	505 30 55-01	SCREEN		
4	505 30 57-01	VALVE.INLET		
5	505 30 60-01	SPRING		
6	505 30 62-01	PEN		
7	505 30 61-01	SCREW		
8	505 30 64-01	LEVER		
9	505 30 65-01	BODY		
10	505 30 66-01	COVER		
11	505 30 67-01	PUMP		
12	505 30 68-01	DIAPHRAGM		
13	505 30 69-01	GASKET		
14	505 30 70-01	DIAPHRAGM		
15	505 30 72-01	GASKET		
16	505 30 74-01	JET		
17	505 30 75-01	O-RING		
18	505 30 77-01	RING		
19	505 30 78-01	SWIVEL		
20	505 30 79-01	SCREW		
21	505 30 80-01	BRACKET		
22	731 23 14-01	HEXAGON NUT		
23	505 30 82-01	SCREW-CABLE-ADJ		
24	505 30 83-01	SCREW		
25	505 30 84-01	RING		
26	505 30 85-01	SCREW		
27	505 30 86-01	WASHER		

L Intake

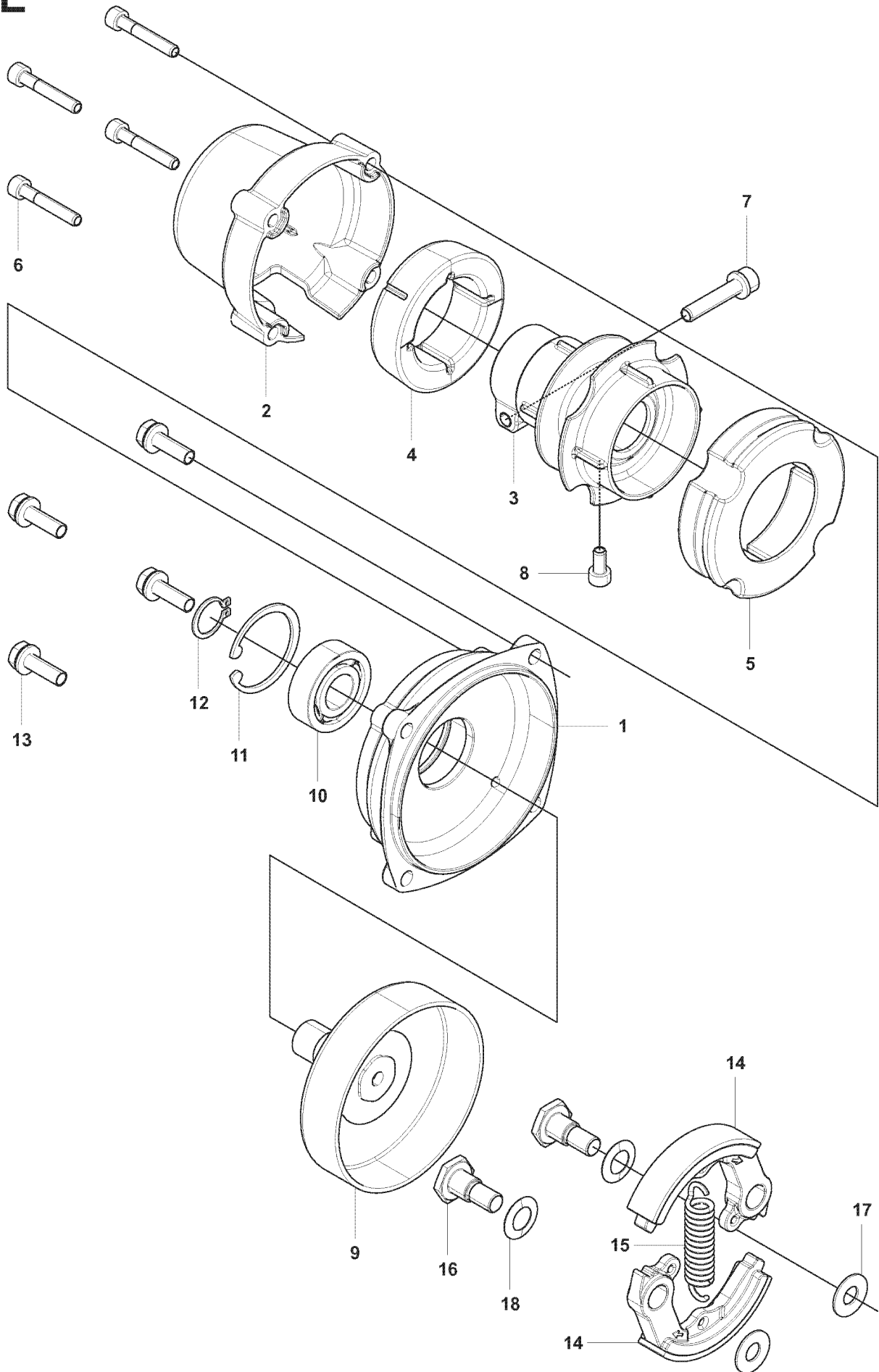


CARBURETOR & AIR FILTER

143 RII, 2008-06

Ref	Part No	Description	Remark	QTY KIT
1	505 30 47-01	INSULATOR		
2	505 30 49-01	GASKET.INSU		
3	505 30 50-01	GASKET		
4	505 30 87-01	SCREW		
5	505 30 88-01	BODY		
6	505 30 89-01	PLATE.CHOKE		
7	505 30 90-01	LEVER.CHOKE		
8	505 30 91-01	SCREW		
9	505 30 92-01	AIR FILTER		
10	505 30 93-01	COVER		
11	505 30 94-01	KNOB		
12	505 30 15-01	CLAMP		
13	505 30 48-01	SCREW		
14	505 31 60-01	COVER		
15	505 30 53-01	CARBURETOR		

E Clutch

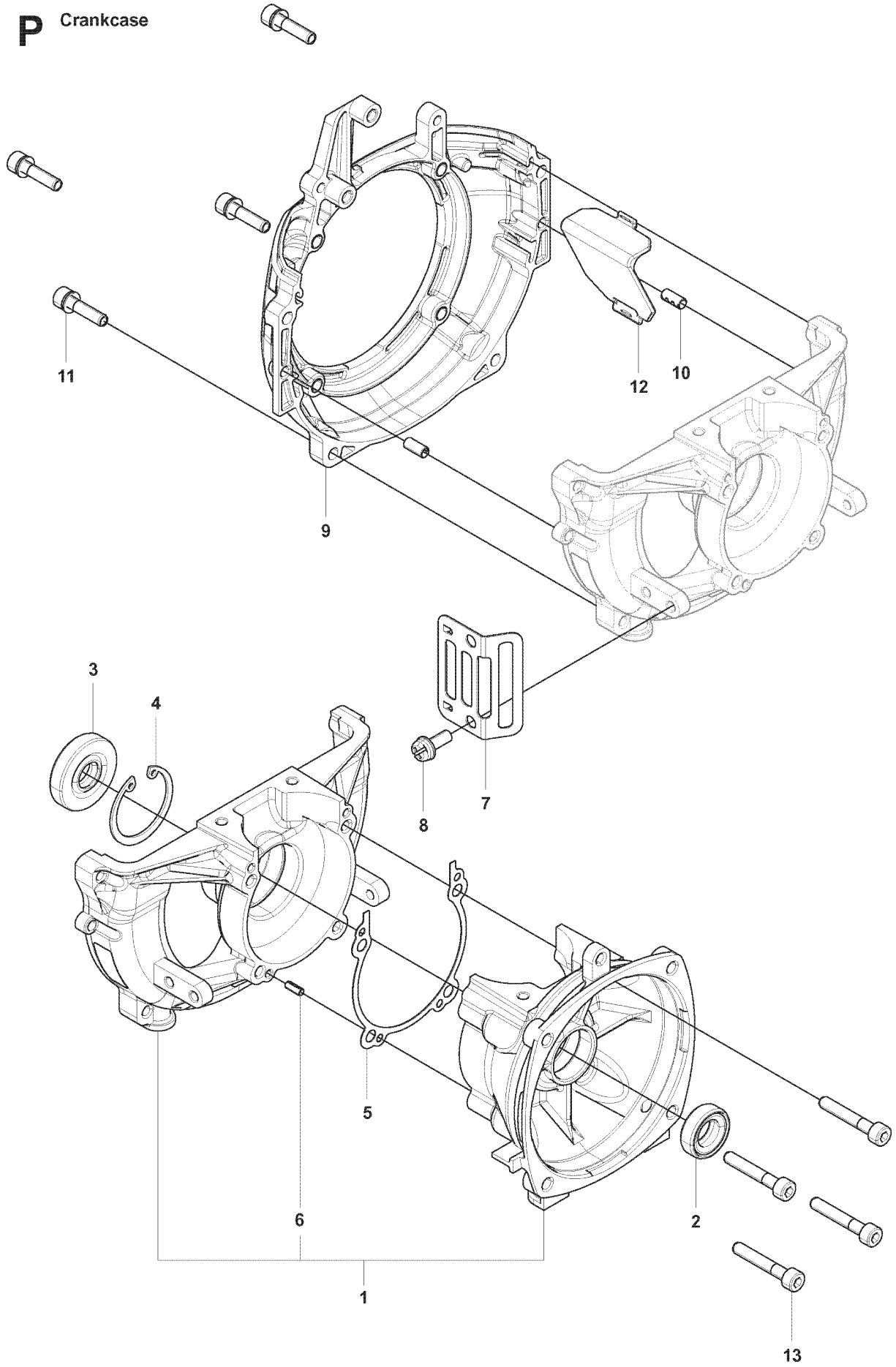


CLUTCH

143 RII, 2008-06

Ref	Part No	Description	Remark	QTY KIT
1	505 29 29-01	HOUSING		
2	505 29 30-01	HUB CAP		
3	505 29 32-01	JOINT		
4	505 29 33-01	ABSORBER		
5	505 29 34-01	ABSORBER		
6	725 53 35-55	SCREW IHSCM		
7	725 53 74-55	SCREW IHSCM		
8	725 53 25-55	SCREW IHSCM		
9	505 29 38-01	DRUM		
10	738 22 02-29	BALL BEARING		
11	505 29 40-01	RING		
12	735 31 16-00	CIRCLIP		
13	505 31 24-01	BOLT		
14	505 29 76-01	SHOE-C		
15	505 29 77-01	SPRING		
16	505 29 78-01	SCREW		
17	505 29 80-01	WASHER		
18	505 29 81-01	WASHER		

P Crankcase

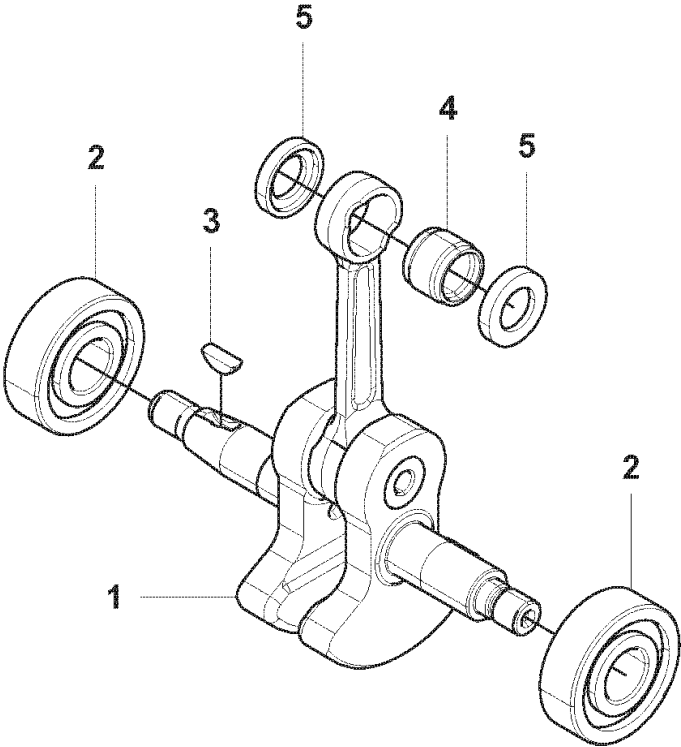


CRANKCASE

143 RII, 2008-06

Ref	Part No	Description	Remark	QTY	KIT
1	505 29 60-01	CRANKCASE		1	
2	505 29 66-01	SEAL		1	
3	505 29 67-01	SEAL		1	
4	735 31 31-10	CIRCLIP		1	
5	505 29 64-01	GASKET		1	
6	505 29 61-01	PIN		3	1
7	505 29 62-01	GUARD		1	
8	724 13 27-51	SCREW CRPANM		1	
9	505 29 99-01	COVER		1	
10	505 30 00-01	PIN		2	
11	505 30 02-01	BOLT		4	
12	505 30 04-01	PLATE		1	
13	725 53 35-55	SCREW IHSCM		4	

N Crankshaft

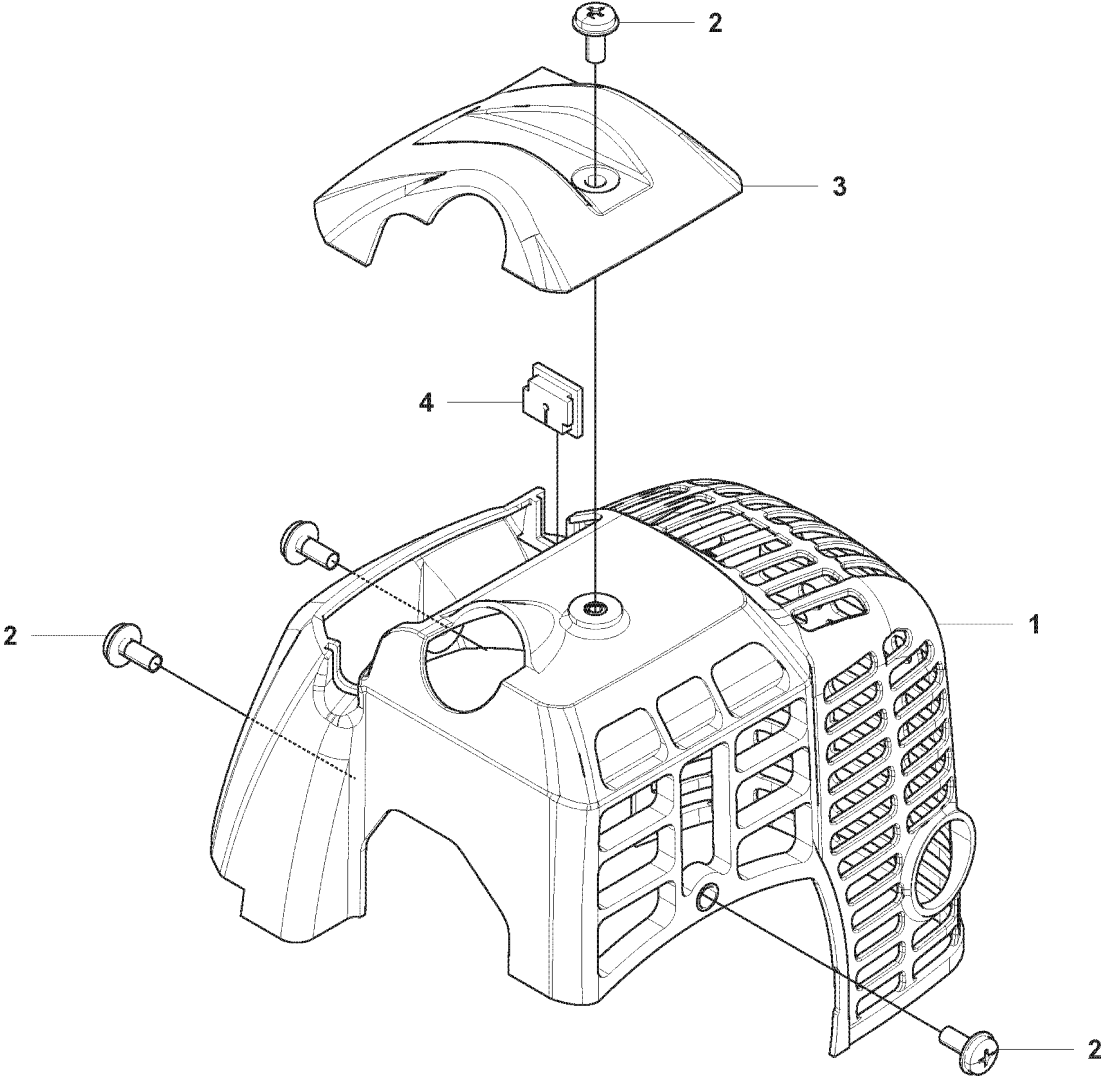


CRANKSHAFT

143 RII, 2008-06

Ref	Part No	Description	Remark	QTY KIT
1	505 29 75-01	CRANKSHAFT		1
2	505 29 65-01	BEARING		2
3	505 29 92-01	KEY		1
4	505 29 73-01	BEARING		1
5	505 29 74-01	WASHER		2

G Cylinder cover

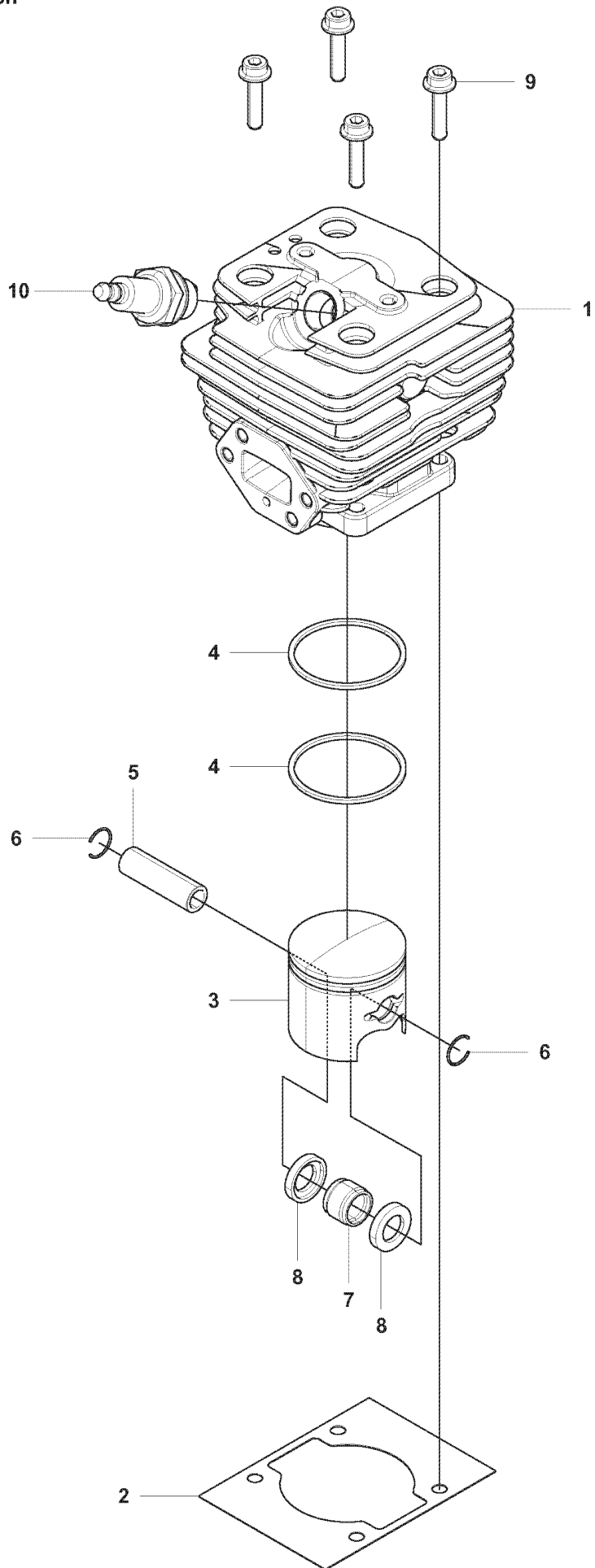


CYLINDER COVER

143 RII, 2008-06

Ref	Part No	Description	Remark	QTY KIT
1	505 30 05-01	COVER		
2	505 30 06-01	SCREW		
3	505 30 11-01	GUARD		
4	505 30 13-01	GROMMET		

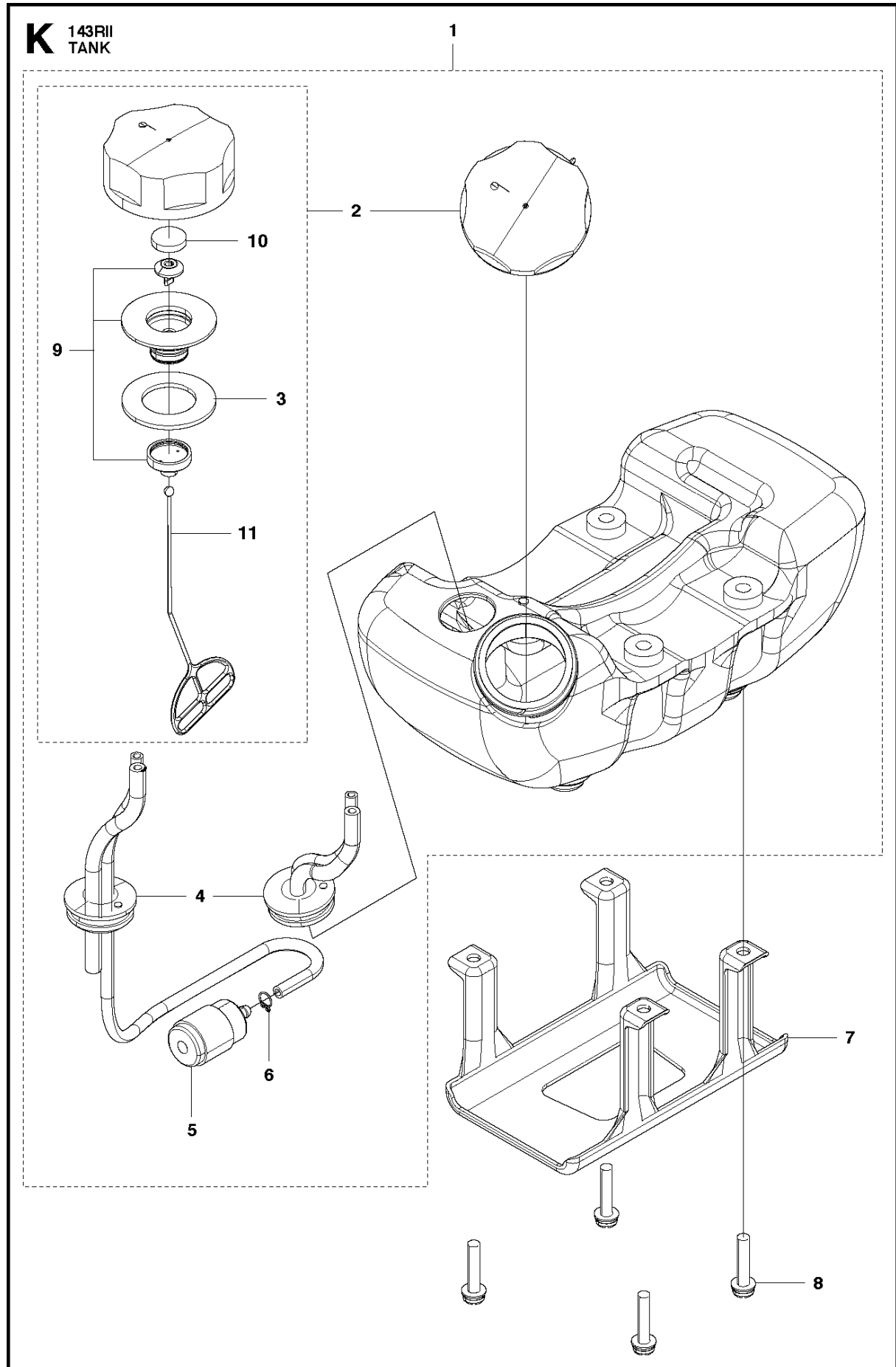
M Cylinder & piston



CYLINDER PISTON

143 RII, 2008-06

Ref	Part No	Description	Remark	QTY KIT
1	510 06 42-01	CYLINDER		1
2	510 06 43-01	GASKET		1
3	505 29 69-01	PISTON		1
4	505 29 70-01	PISTON RING		2
5	505 29 71-01	PIN		1
6	505 29 72-01	RING		2
7	505 29 73-01	BEARING		1
8	505 29 74-01	WASHER		2
9	503 20 07-78	SCREW IHSCFM		4
10	503 23 51-11	SPARK PLUG		1

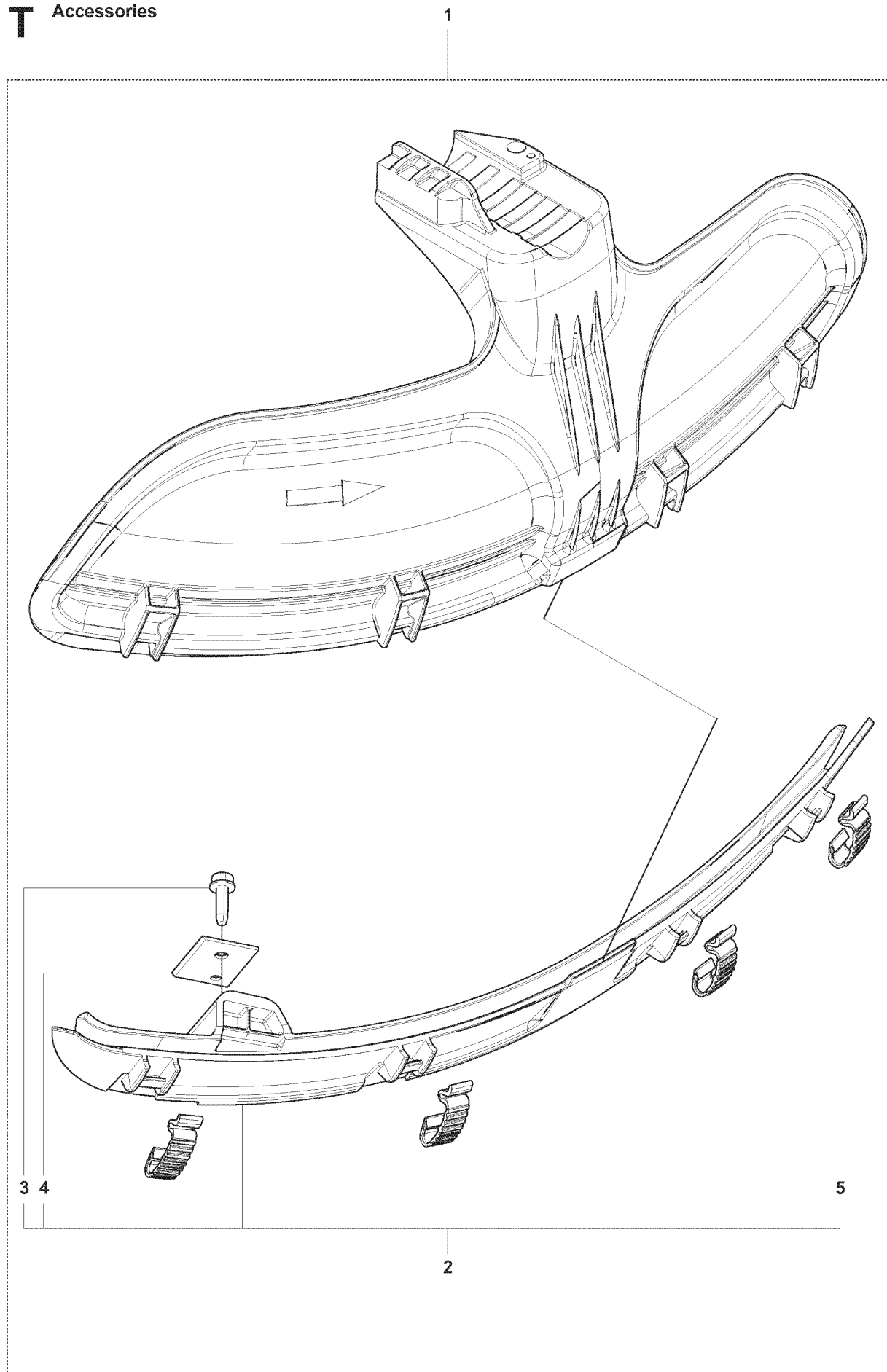


FUEL TANK

143 RII, 2008-06

Ref	Part No	Description	Remark	QTY	KIT
1	586 93 15-01	TANK		1	
2	505 30 96-01	CAP		1	1
3	506 74 43-01	PACKING		1	1, 2
4	505 31 03-01	FUEL HOSE		1	1
5	503 44 32-01	FUEL FILTER		1	1
6	506 70 70-01	CLIP		1	1
7	505 31 09-01	GUARD		1	
8	505 31 10-01	SCREW		4	
9	515 36 94-01	HOLDER		1	1, 2
10	506 74 68-01	FILTER		1	1, 2
11	506 74 58-01	STOPPER		1	1, 2

T Accessories

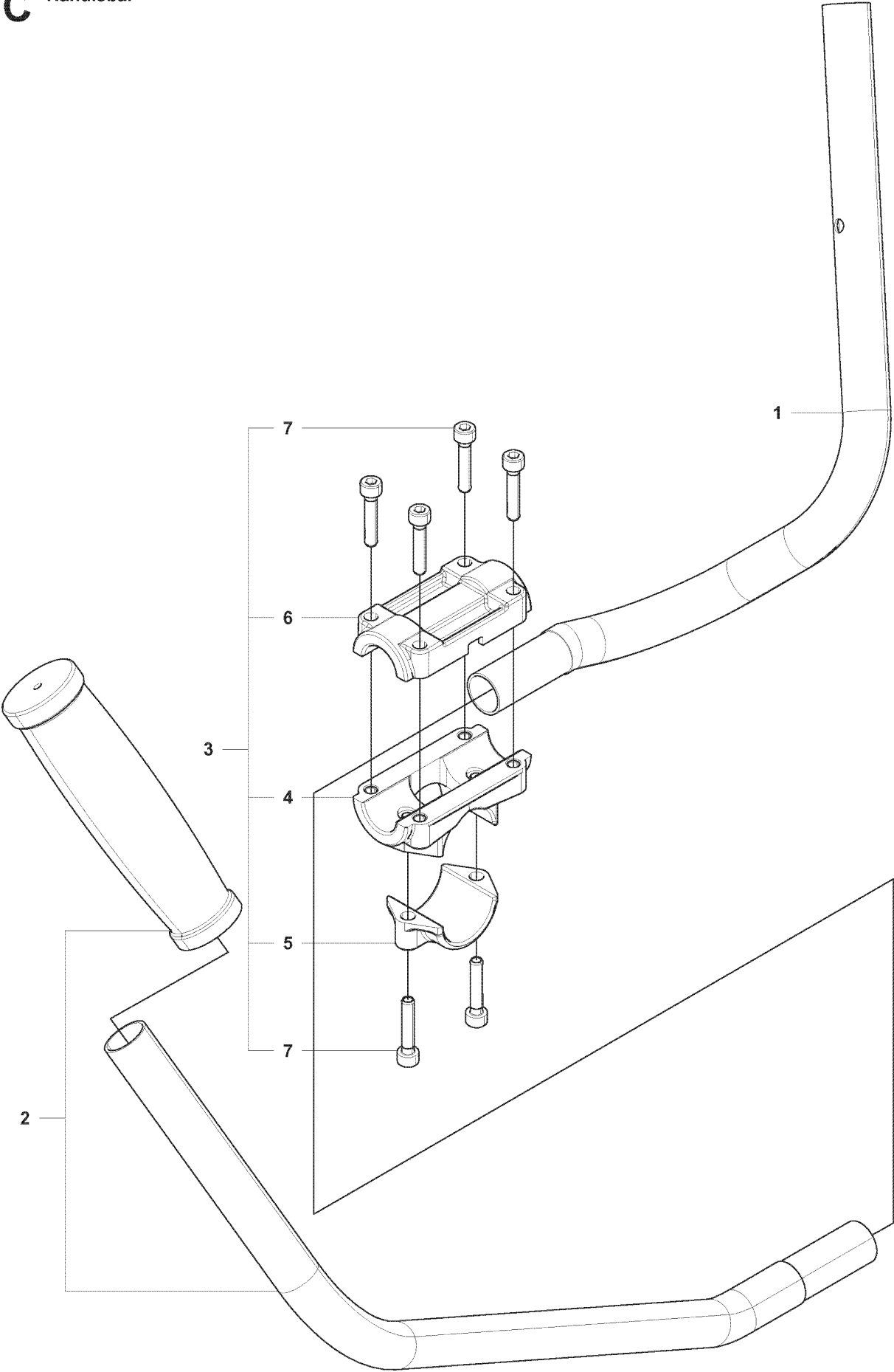


GUARDS

143 RII, 2008-06

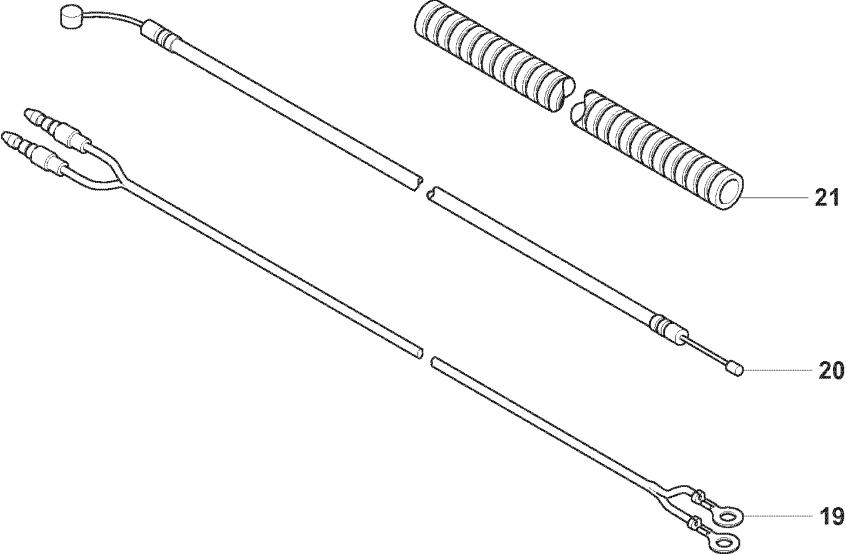
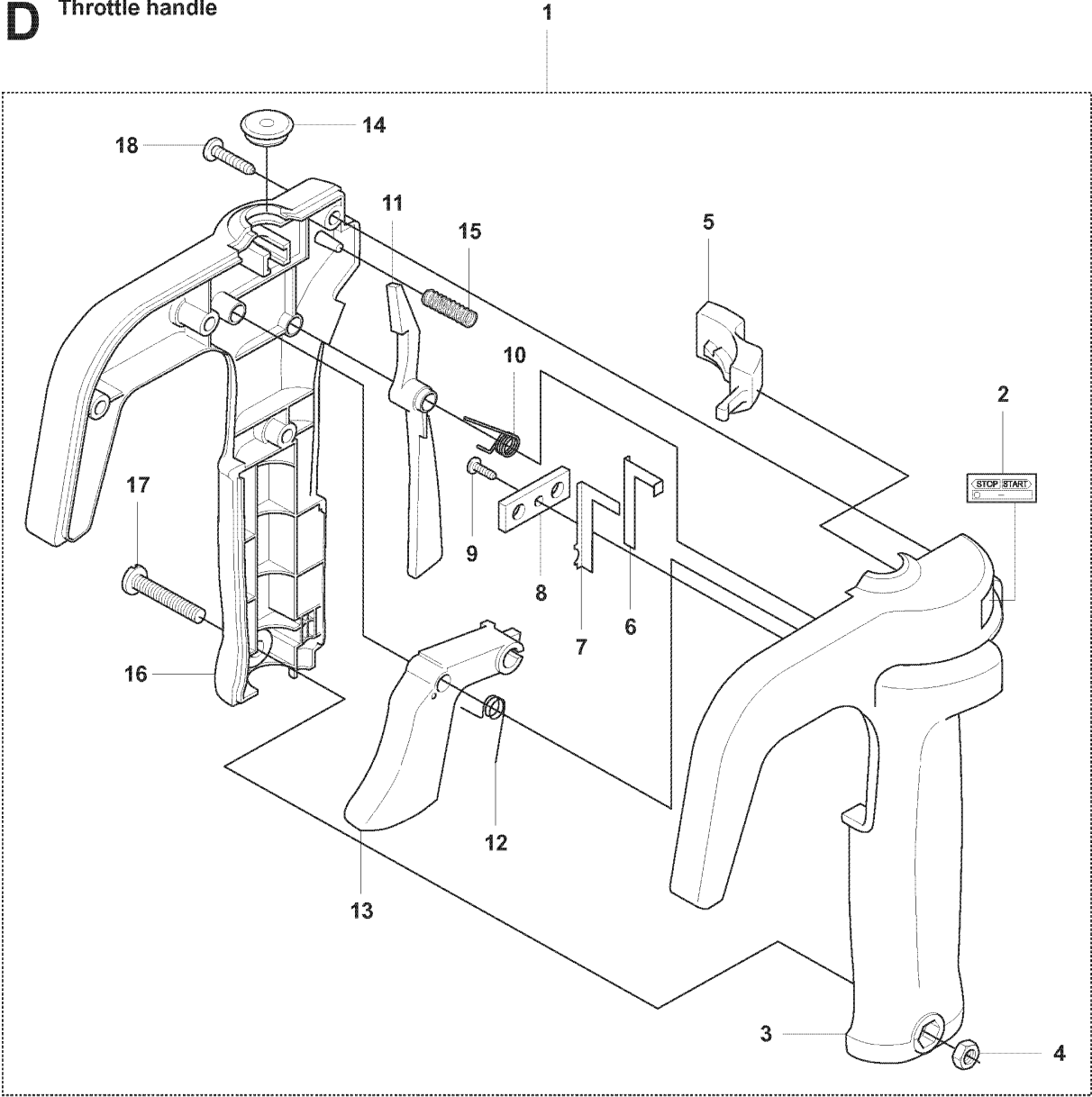
Ref	Part No	Description	Remark	QTY KIT
1	537 33 16-01	COMBI GUARD		
2	537 39 63-01	SPLASH GUARD		
3	503 21 07-16	SCREW IHST		
4	503 79 88-01	BLADE		
5	537 38 72-01	SNAP		

C Handlebar



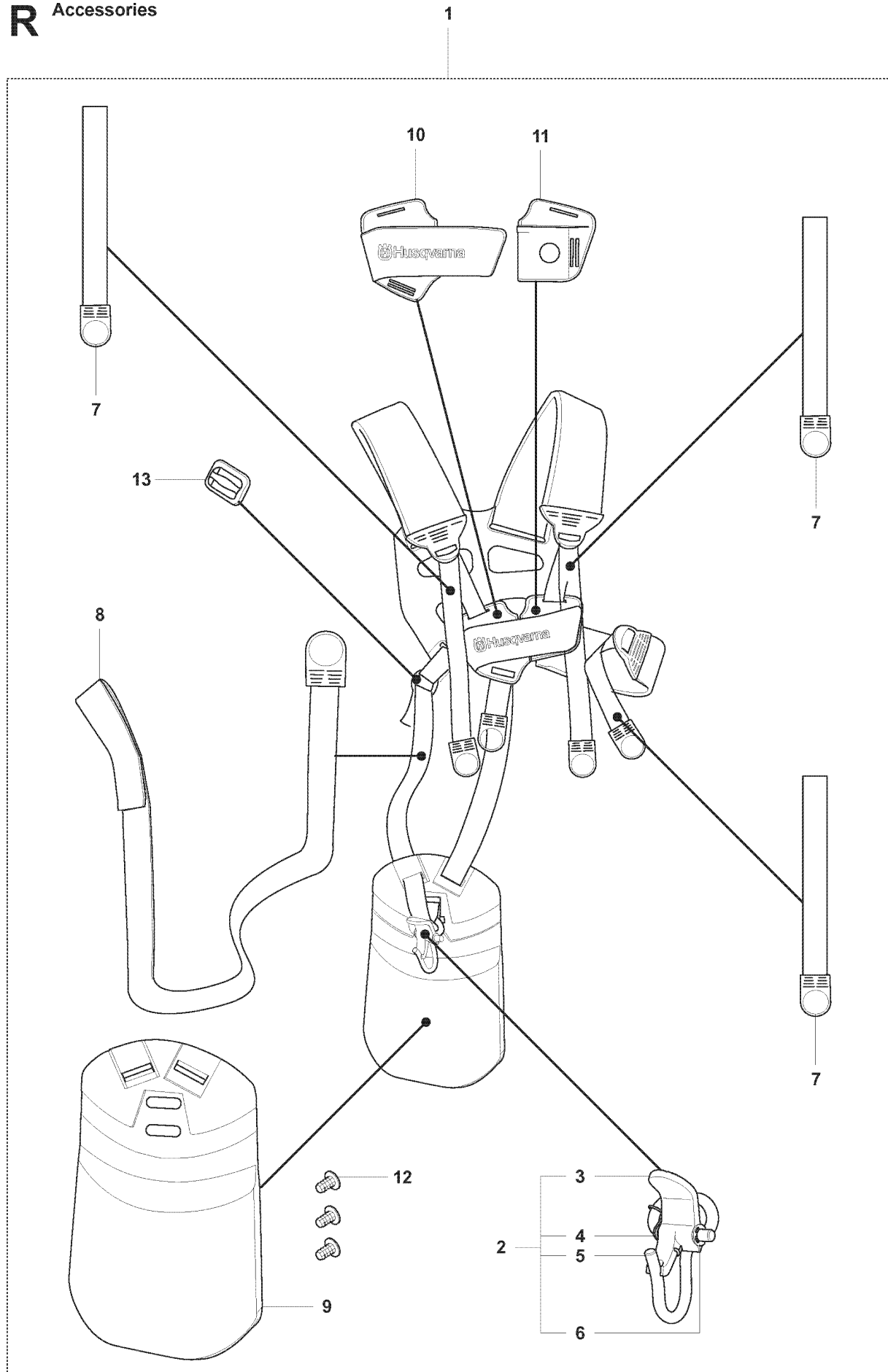
Ref	Part No	Description	Remark	QTY KIT
1	505 31 29-01	HANDLE		
2	505 31 59-01	HANDLE		
3	505 29 46-01	BRACKET-ASSY		
4	505 29 47-01	BRACKET		
5	505 29 48-01	CAP		
6	505 29 49-01	CAP		
7	725 53 33-55	SCREW IHSCM		

D Throttle handle



Ref	Part No	Description	Remark	QTY KIT
1	505 31 30-01	GRIP&LEVCOMP		
2	505 31 31-01	K2200-000040		
3	505 31 32-01	K2300-000050		
4	731 23 14-01	HEXAGON NUT		
5	505 31 35-01	SWITCH		
6	505 31 36-01	SPRING		
7	505 31 37-01	SPRING		
8	505 31 38-01	HOLDER		
9	505 31 39-01	SCREW		
10	505 31 40-01	SPRING		
11	505 31 41-01	LEVER		
12	505 31 42-01	SPRING		
13	505 31 43-01	LEVER		
14	505 31 44-01	PLUG		
15	505 31 45-01	SPRING		
16	505 31 46-01	GRIP		
17	505 31 47-01	SCREW		
18	505 31 48-01	SCREW		
19	505 31 50-01	CORD		
20	505 31 56-01	CABLE		
21	505 31 57-01	TUBE		

R Accessories

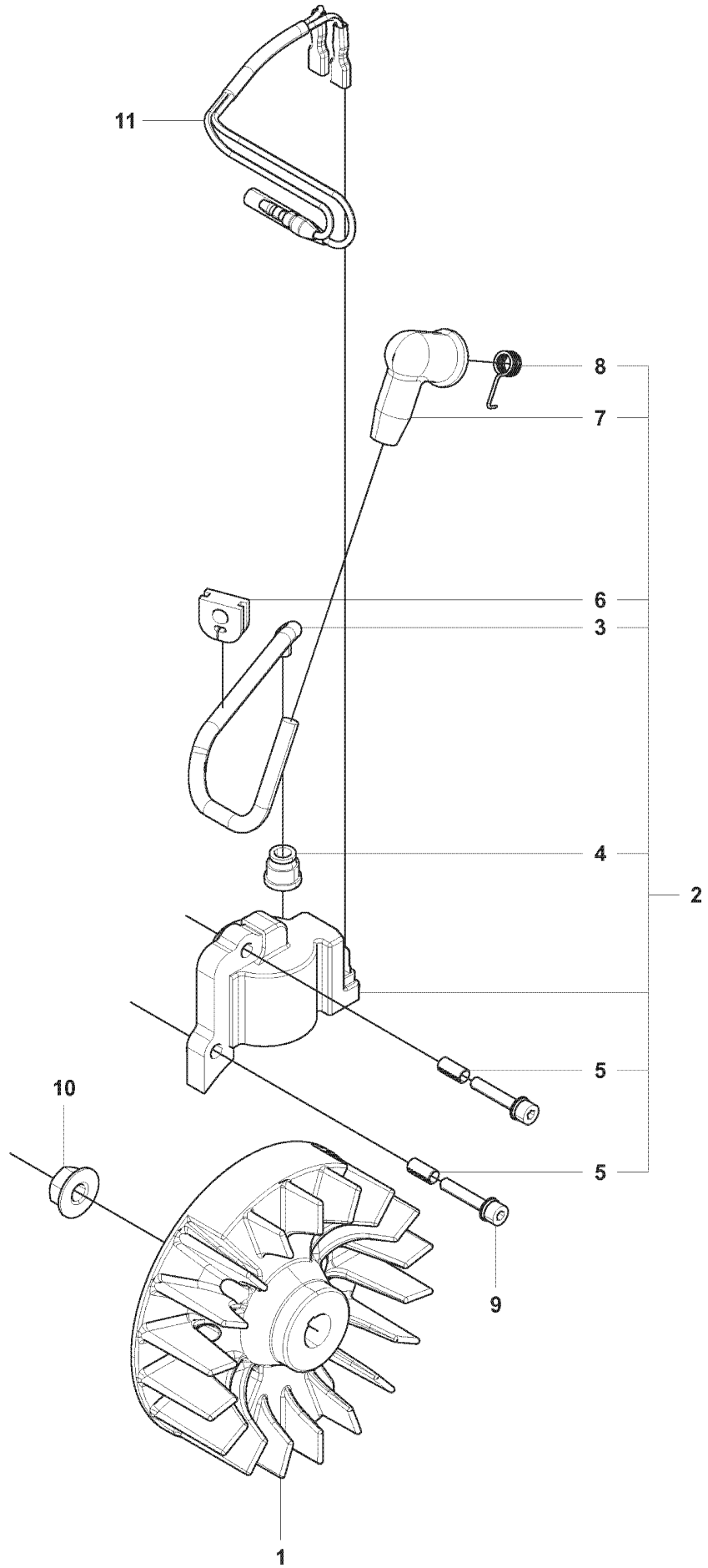


HARNESS

143 RII, 2008-06

Ref	Part No	Description	Remark	QTY KIT
1	537 27 57-01	HARNESS		
2	502 02 28-01	HOOK		
3	502 02 30-02	LOCK		
4	502 02 38-01	SPRING		
5	502 02 29-02	HOOK		
6	735 31 09-20	E-CLIP		
7	503 99 61-01	BAND		
8	503 99 61-03	BAND		
9	537 27 59-01	HIP PAD		
10	537 28 84-01	FRONT PIECE		
11	537 28 83-01	FRONT PIECE		
12	537 17 54-01	HIP PAD		
13	537 11 35-01	RETAINER		

F Ignition

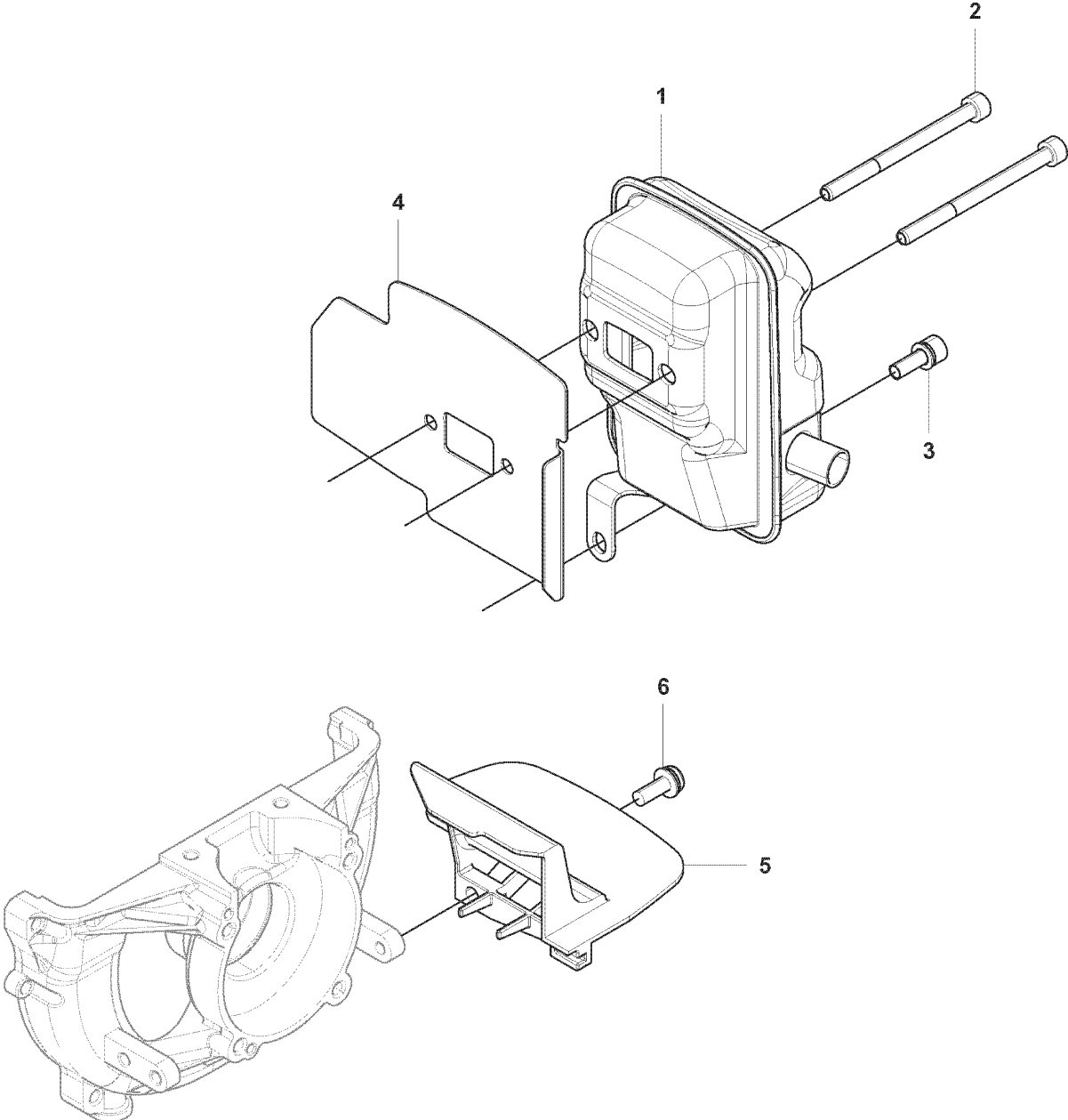


IGNITION SYSTEM

143 RII, 2008-06

Ref	Part No	Description	Remark	QTY KIT
1	505 29 82-01	ROTOR		
2	505 29 83-01	COIL		
3	505 29 84-01	CORD.HIGH		
4	505 29 85-01	HUB CAP		
5	505 29 86-01	PEN		
6	505 29 87-01	GROMMET		
7	505 29 88-01	HUB CAP		
8	505 29 89-01	SPRING		
9	505 29 90-01	BOLT		
10	505 29 91-01	NUT		
11	505 30 14-01	CORD		

H Muffler

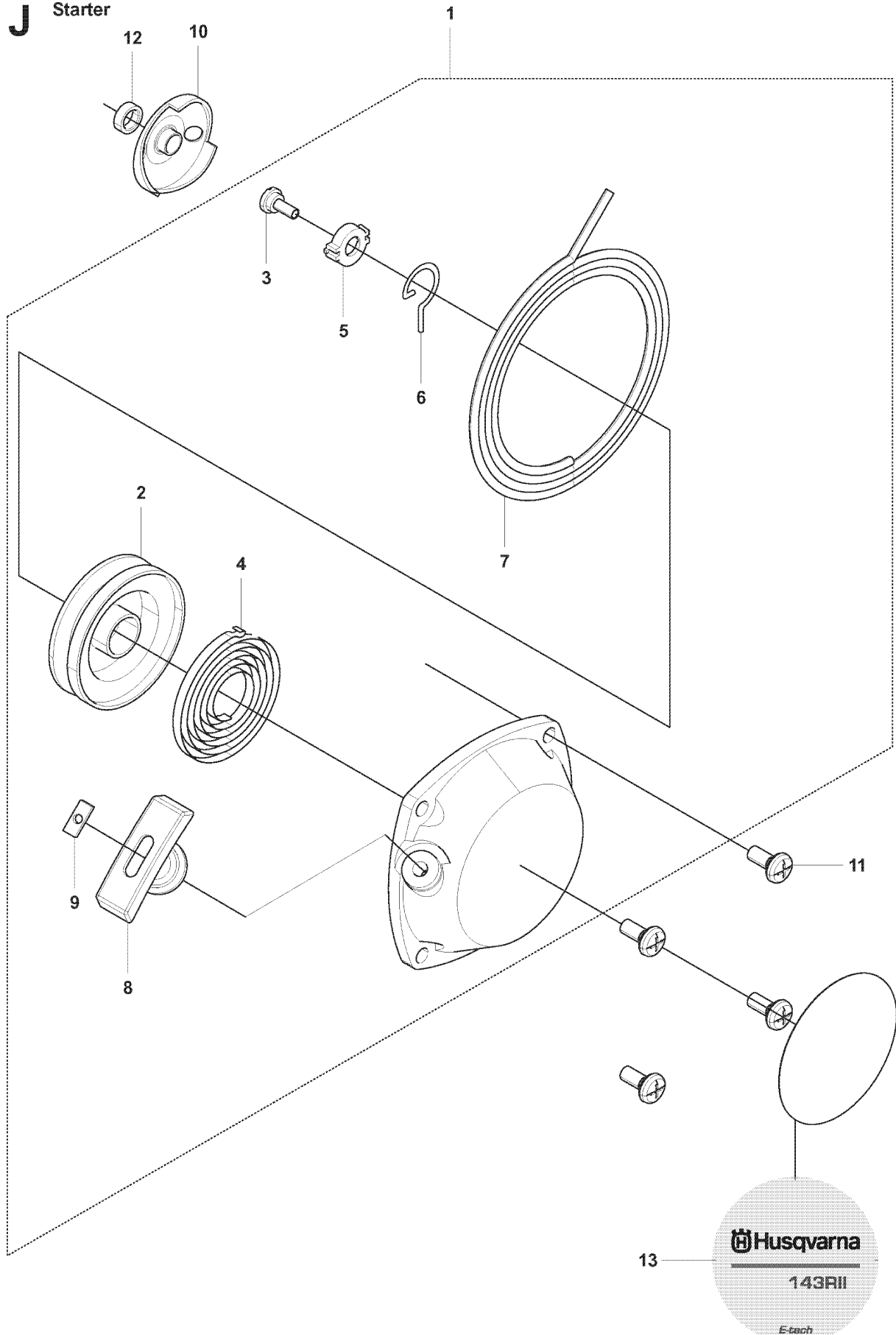


MUFFLER

143 RII, 2008-06

Ref	Part No	Description	Remark	QTY KIT
1	505 29 93-01	MUFFLER		
2	505 29 94-01	BOLT		
3	505 29 95-01	BOLT		
4	505 29 96-01	GASKET		
5	505 29 97-01	PLATE.MUFFLER		
6	505 29 98-01	SCREW		

J Starter



Husqvarna

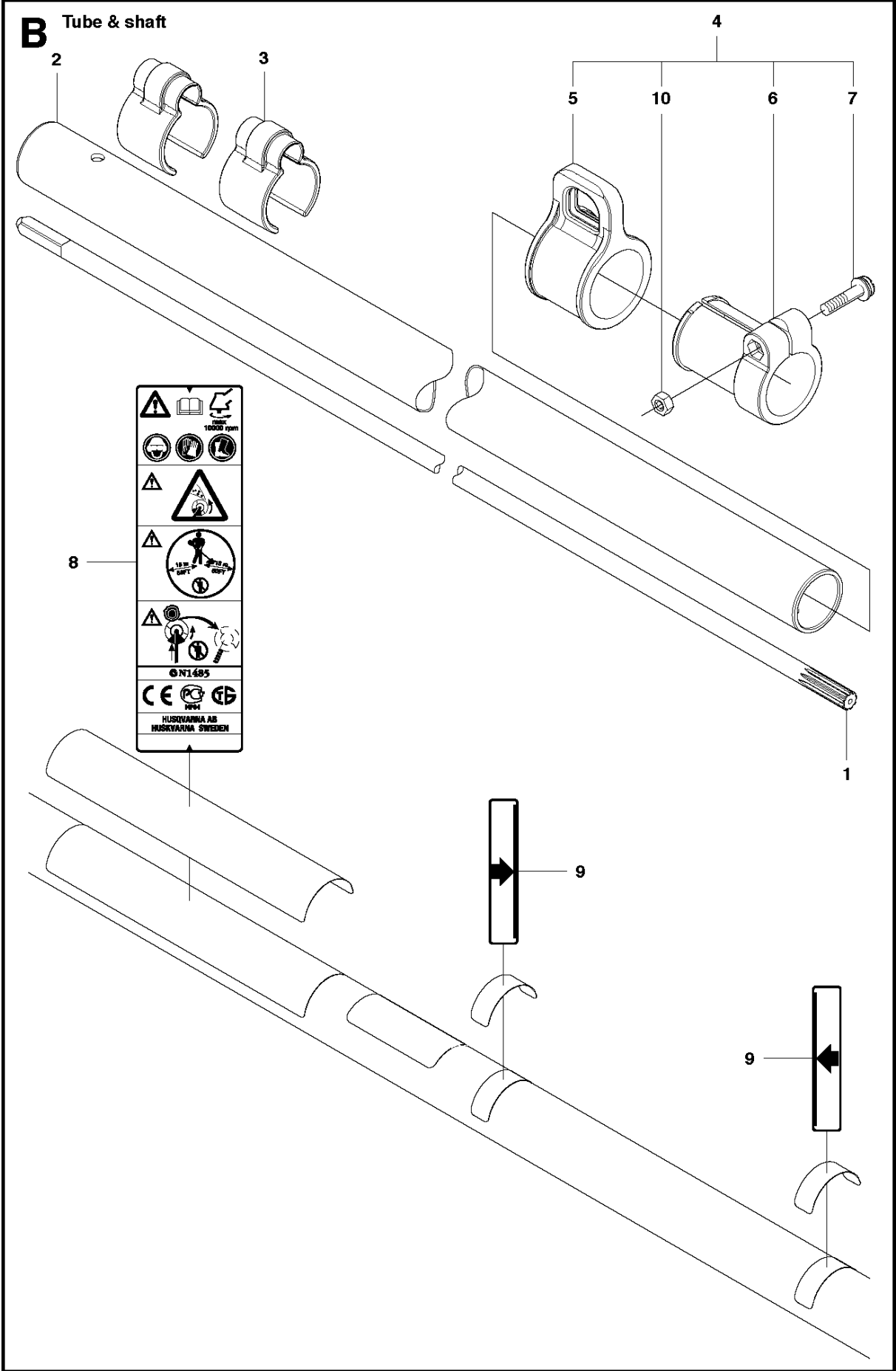
143RII

E-tech

STARTER

143 RII, 2008-06

Ref	Part No	Description	Remark	QTY KIT
1	505 30 17-01	STARTER ASSY		
2	505 30 18-01	REEL		
3	505 30 19-01	SCREW		
4	505 30 22-01	SPRING.SPIRAL		
5	505 30 25-01	COLLAR		
6	505 30 26-01	ARM		
7	505 30 28-01	ROPE		
8	505 30 34-01	KNOB		
9	505 30 39-01	PLATE.STOPPER		
10	505 30 43-01	PULLEY		
11	505 30 44-01	SCREW		
12	505 30 46-01	COLLAR		
13	505 31 14-01	LABEL		



TUBE & SHAFT

143 RII, 2008-06

Ref	Part No	Description	Remark	QTY	KIT
1	583 94 32-01	DRIVE SHAFT		1	
2	521 80 67-01	PIPE-COMP		1	
3	514 12 01-01	BUSHING		1	2
4	505 29 53-01	HANGER ASSY		1	
5	505 29 54-01	HANGER		1	
6	505 29 55-01	CLAMP		1	
7	505 29 57-01	SCREW		1	
8	587 22 84-01	LABEL	All ex EU/US/CA/AU/NZ	1	
8	587 36 26-01	DECAL	Brazil	1	
9	505 29 58-01	LABEL	All ex EU/US/CA/AU/NZ	2	
10	521 53 87-01	PROTECTION		1	